



US00D862085S

(12) **United States Design Patent**
Cook

(10) **Patent No.:** **US D862,085 S**

(45) **Date of Patent:** **** Oct. 8, 2019**

- (54) **PRESSURE VESSEL CASE**
- (71) Applicant: **Steady Fill Co., LLC**, Duncan, OK (US)
- (72) Inventor: **Gregory D. Cook**, Duncan, OK (US)
- (73) Assignee: **Steady Fill Co., LLC**, Duncan, OK (US)
- (**) Term: **15 Years**

- 4,917,290 A * 4/1990 Saiki B65D 5/46184
229/112
 - D347,553 S * 6/1994 Schneider D7/607
 - 5,445,315 A * 8/1995 Shelby B65D 5/3628
220/592.17
 - 5,511,846 A 4/1996 Fuller
 - D411,079 S * 6/1999 Graham D7/624.2
 - D418,373 S 1/2000 Fair
 - 6,012,411 A 1/2000 Hochbrueckner
 - 6,123,187 A 9/2000 Bartels
 - D466,686 S * 12/2002 Brookhouse D3/206
 - D486,551 S 2/2004 McQuiston
- (Continued)

- (21) Appl. No.: **29/604,247**
- (22) Filed: **May 16, 2017**
- (51) **LOC (12) Cl.** **03-01**
- (52) **U.S. Cl.**
USPC **D3/315**; D3/201; D9/433
- (58) **Field of Classification Search**
USPC D3/201, 315, 316; D9/711, 433, 414;
D7/607; D23/206, 202, 203; 248/309.1;
220/586, 587, 565, 581, 23.4, 635;
294/149, 87.2; 383/117, 119; 150/154;
206/153, 158
CPC B65D 71/46; B65D 2571/00469; B65D
2571/00549; B65D 2571/0066; F17C
13/084; F17C 2201/058; F17C
2205/0111; F17C 2205/0165
See application file for complete search history.

OTHER PUBLICATIONS

Steady-Fill Co., LLC Paintball Hoses Valves and Air Tanks, available Aug. 20, 2018, [online], [site visited Apr. 28, 2019]. Available from internet, URL: <https://web.archive.org/web/20180820162653/https://www.steadyfill.com/> (Year: 2018).*

Primary Examiner — Cathron C Brooks
Assistant Examiner — W. A. Teddy Falloway
(74) *Attorney, Agent, or Firm* — Hall Estill Attorneys at Law; Tyler J. Mantooth

(57) **CLAIM**

The ornamental design for a pressure vessel case, as shown and described.

DESCRIPTION

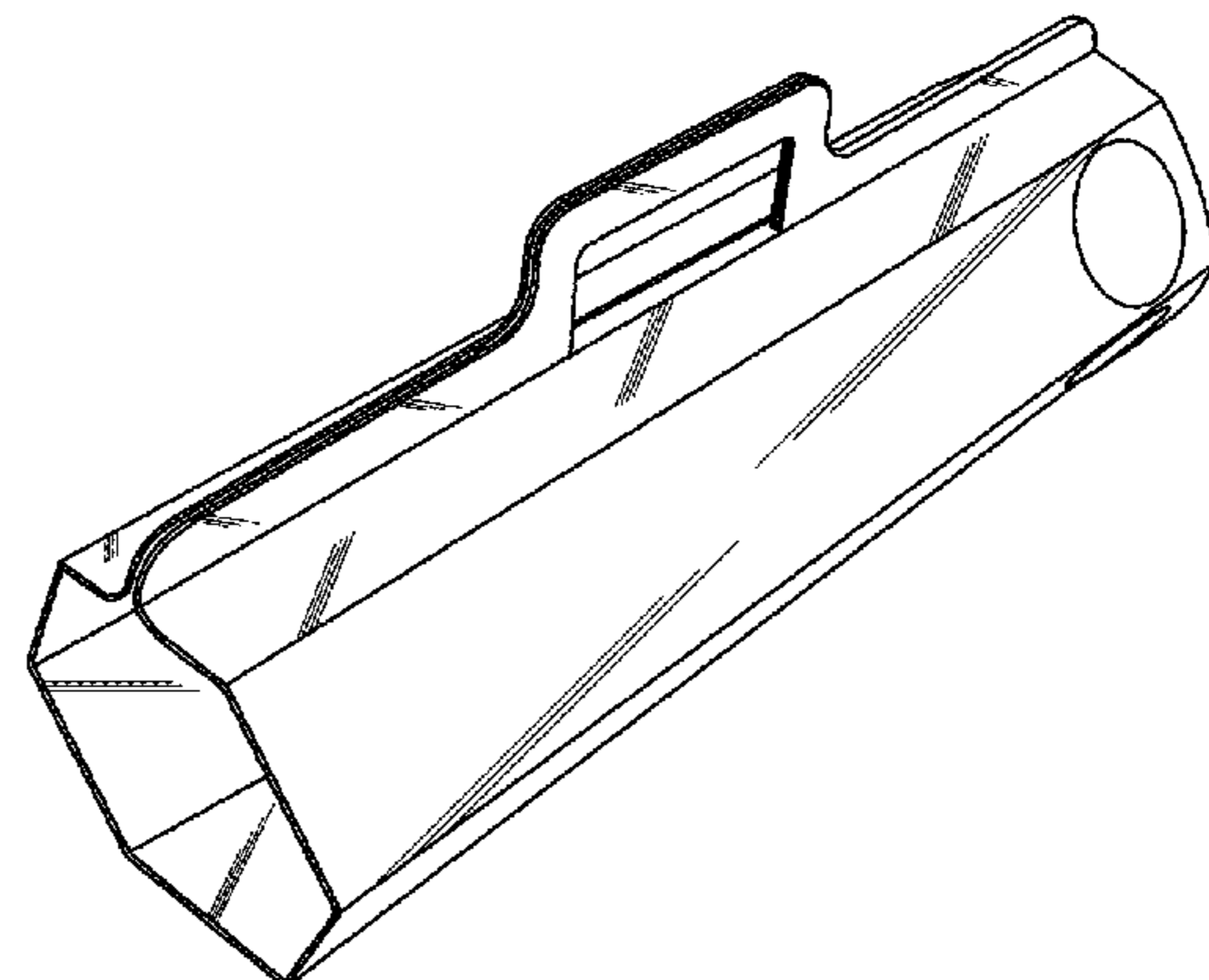
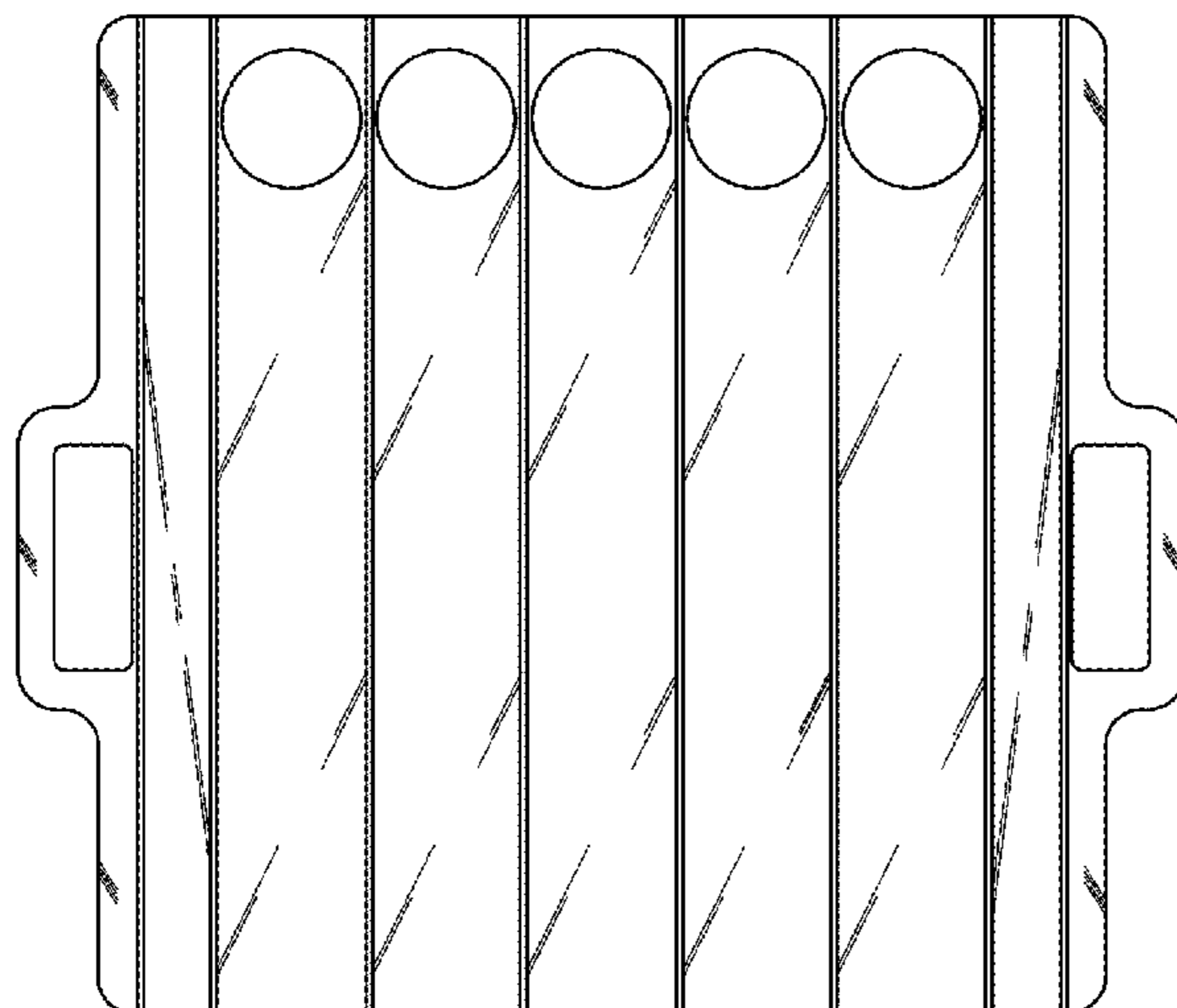
FIG. 1 is a top plan view of the pressure vessel case; FIG. 2 is a side view thereof; FIG. 3 is a perspective view thereof, shown in a partially folded configuration; FIG. 4 is a first side view thereof; FIG. 5 is a second side view thereof; FIG. 6 is an end view thereof, shown in a closed configuration; and, FIG. 7 is a perspective view thereof.

1 Claim, 2 Drawing Sheets

(56) **References Cited**

U.S. PATENT DOCUMENTS

- 3,640,563 A * 2/1972 Wood B65D 71/46
294/87.2
- D252,259 S * 7/1979 Rinehart D9/433
- 4,556,245 A 12/1985 Gruenwald
- 4,603,779 A * 8/1986 Meyers B65D 71/125
206/426
- 4,679,692 A * 7/1987 Davey A45D 40/00
132/286
- 4,736,885 A * 4/1988 Negus, Sr. B65D 5/12
229/110



(56)

References Cited

U.S. PATENT DOCUMENTS

6,715,639	B2 *	4/2004	Spivey	A47F 5/112 221/305
7,316,435	B2	1/2008	Leighton	
D640,013	S *	6/2011	Lewis	D29/120.1
D657,693	S *	4/2012	Krankkala	D9/711
D734,760	S *	7/2015	Brunner	D14/440
D741,662	S *	10/2015	Steel	D7/607
D763,405	S	8/2016	Bussard et al.	
D801,048	S *	10/2017	Yeh	D3/299
D803,636	S *	11/2017	Kiefer	D7/624.2
D806,535	S *	1/2018	Shirosawa	D9/430
D842,099	S *	3/2019	Sotka	D9/433
D842,100	S *	3/2019	Sotka	D9/433
2002/0113449	A1 *	8/2002	Bakx	B65D 71/46 294/87.2
2007/0261771	A1	11/2007	Fitzgerald	
2011/0073606	A1	3/2011	Simon	
2019/0072235	A1 *	3/2019	Cook	F17C 13/08

* cited by examiner

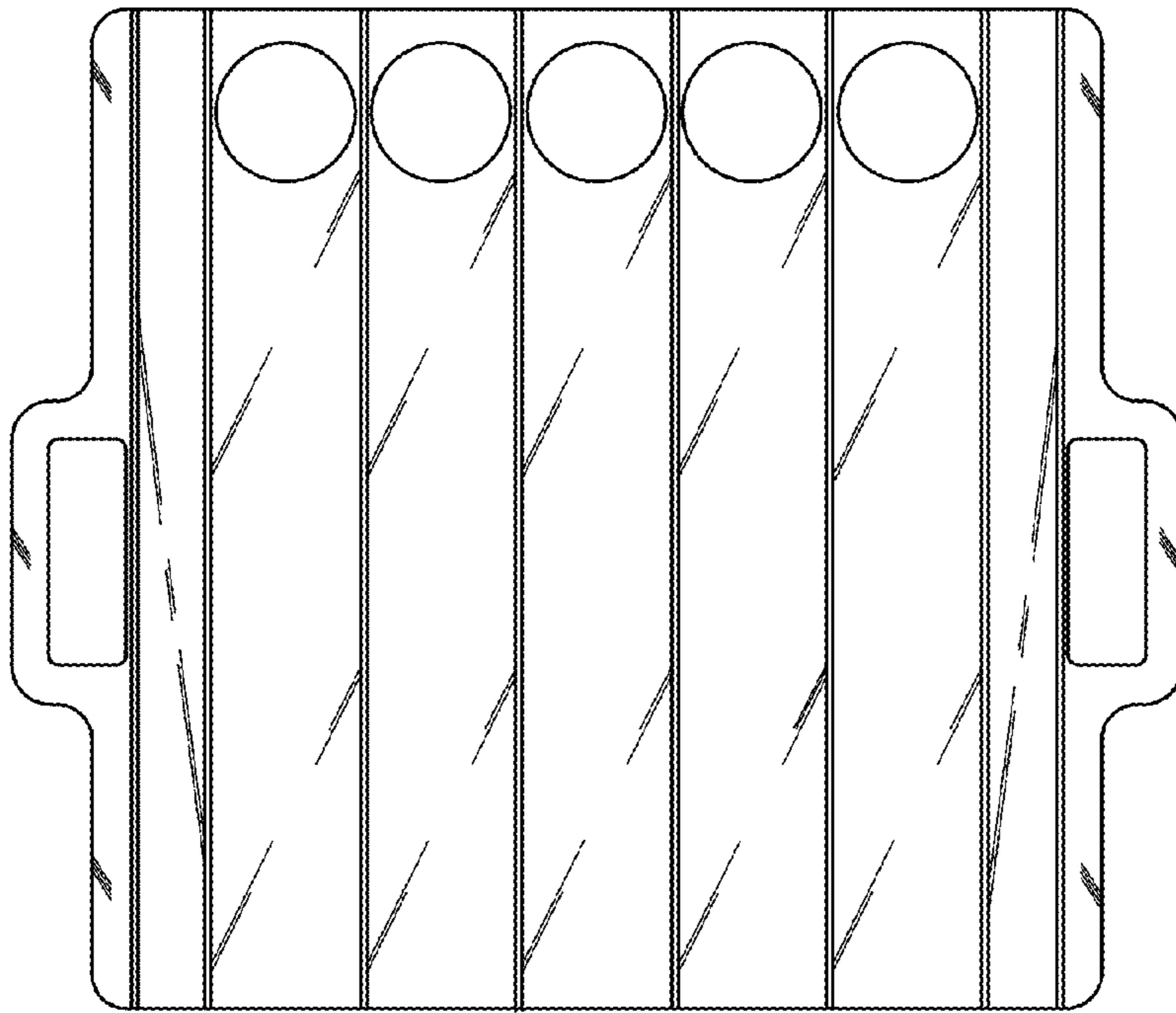


FIG. 1

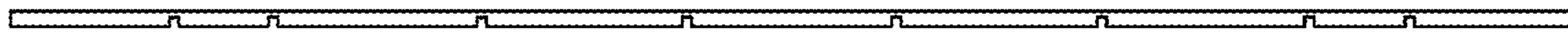


FIG. 2

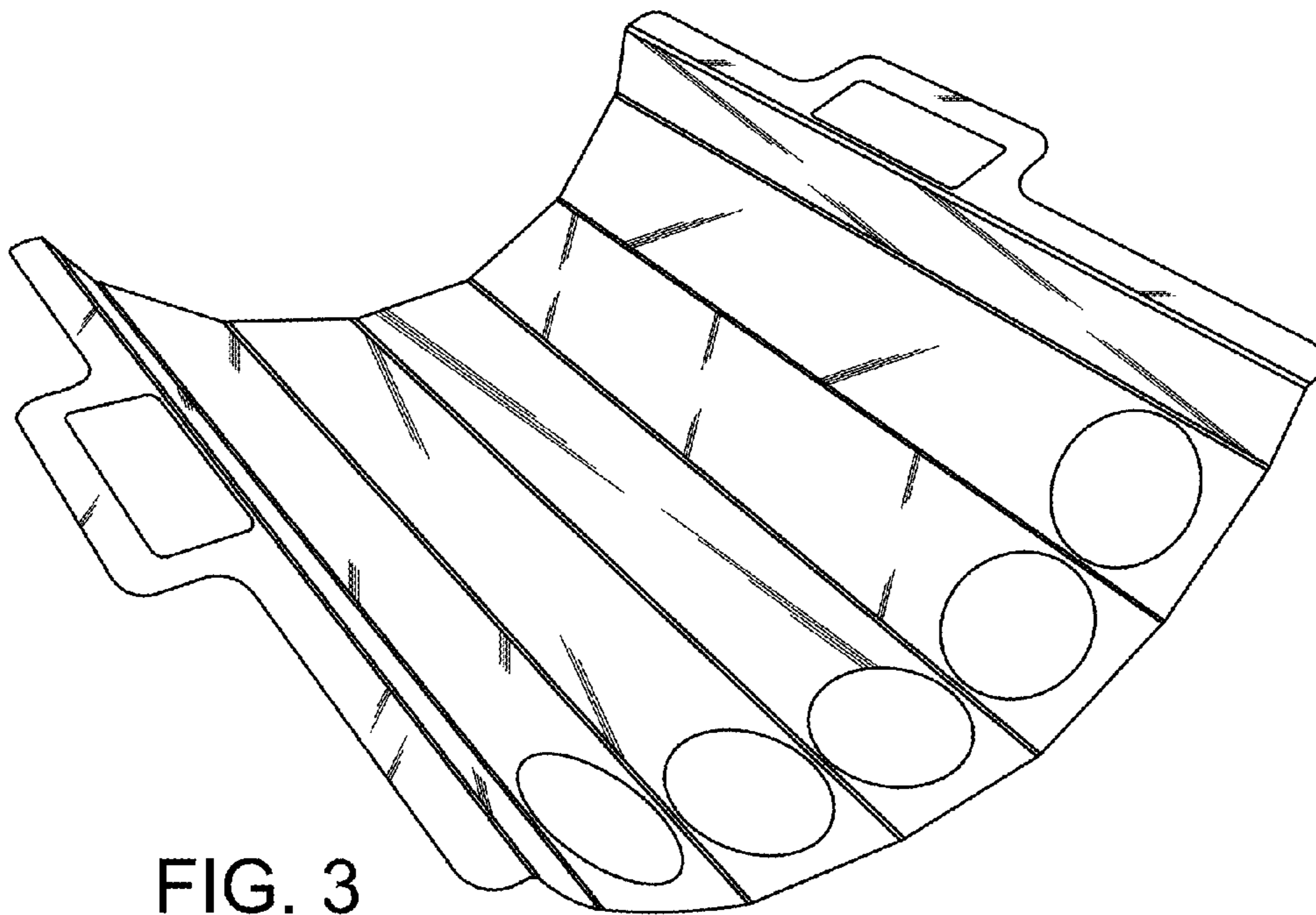


FIG. 3

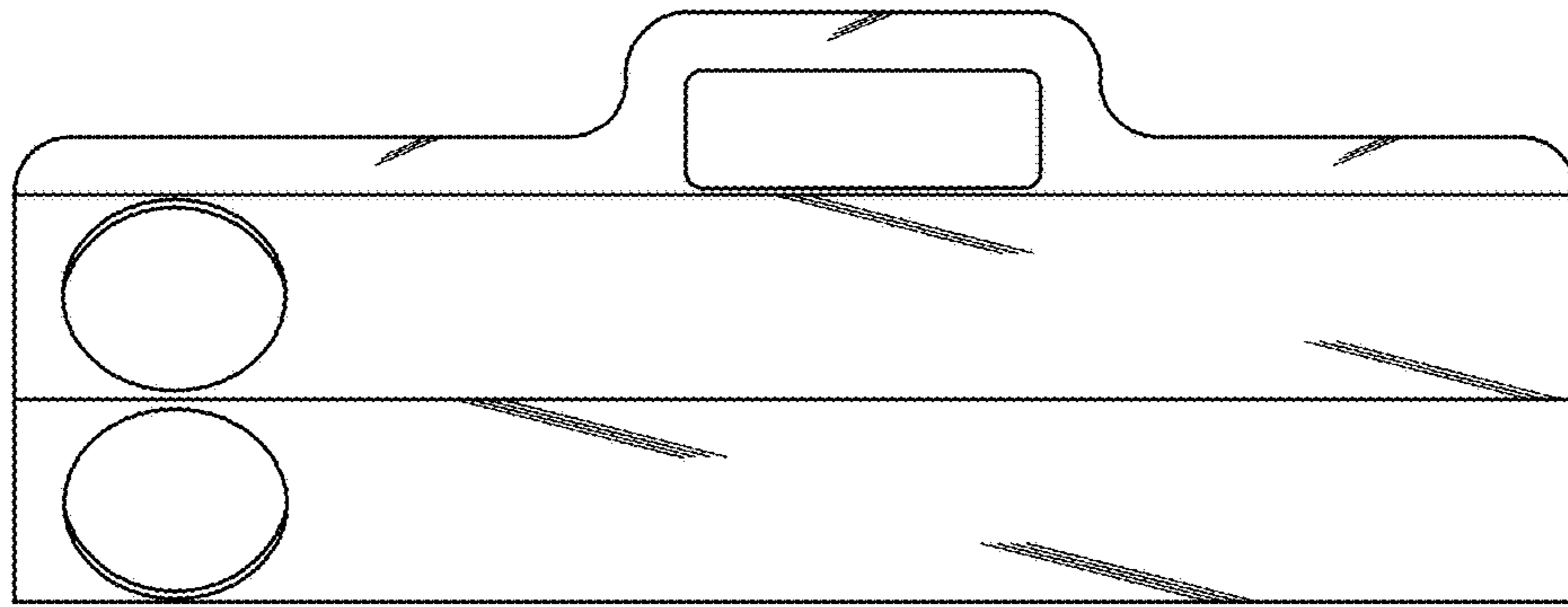


FIG. 4

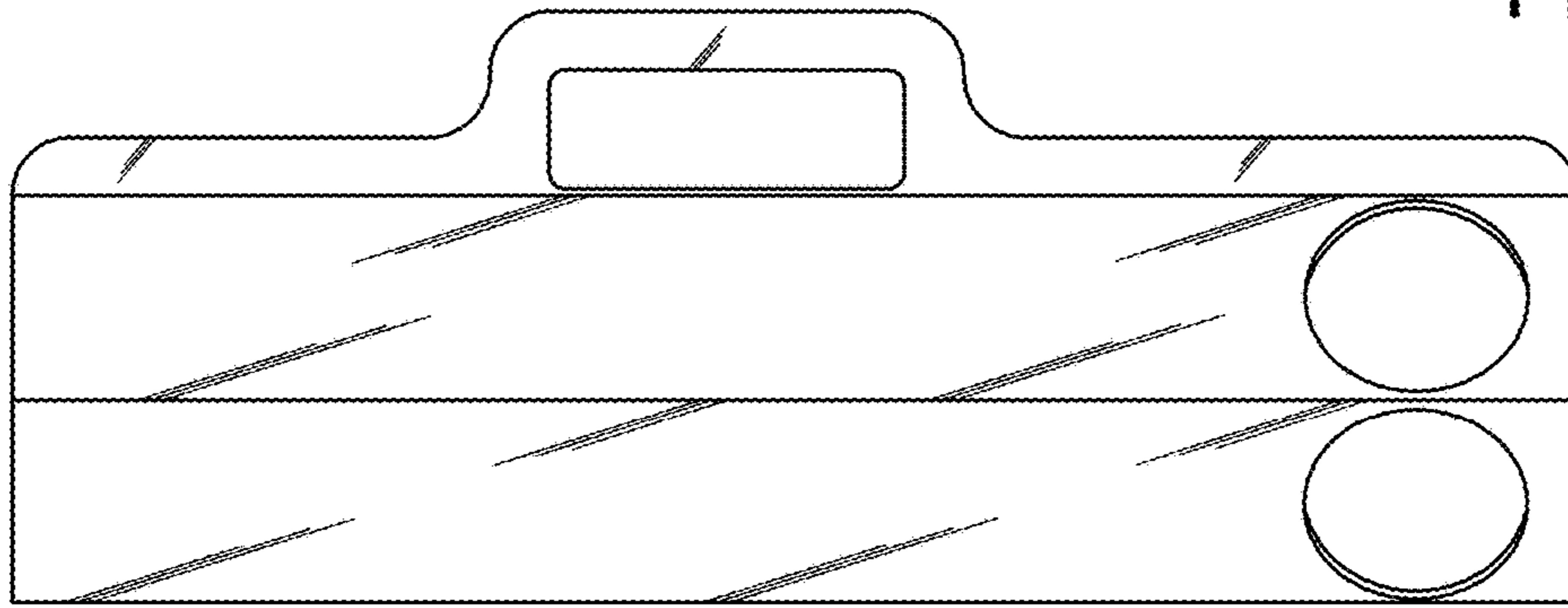


FIG. 5

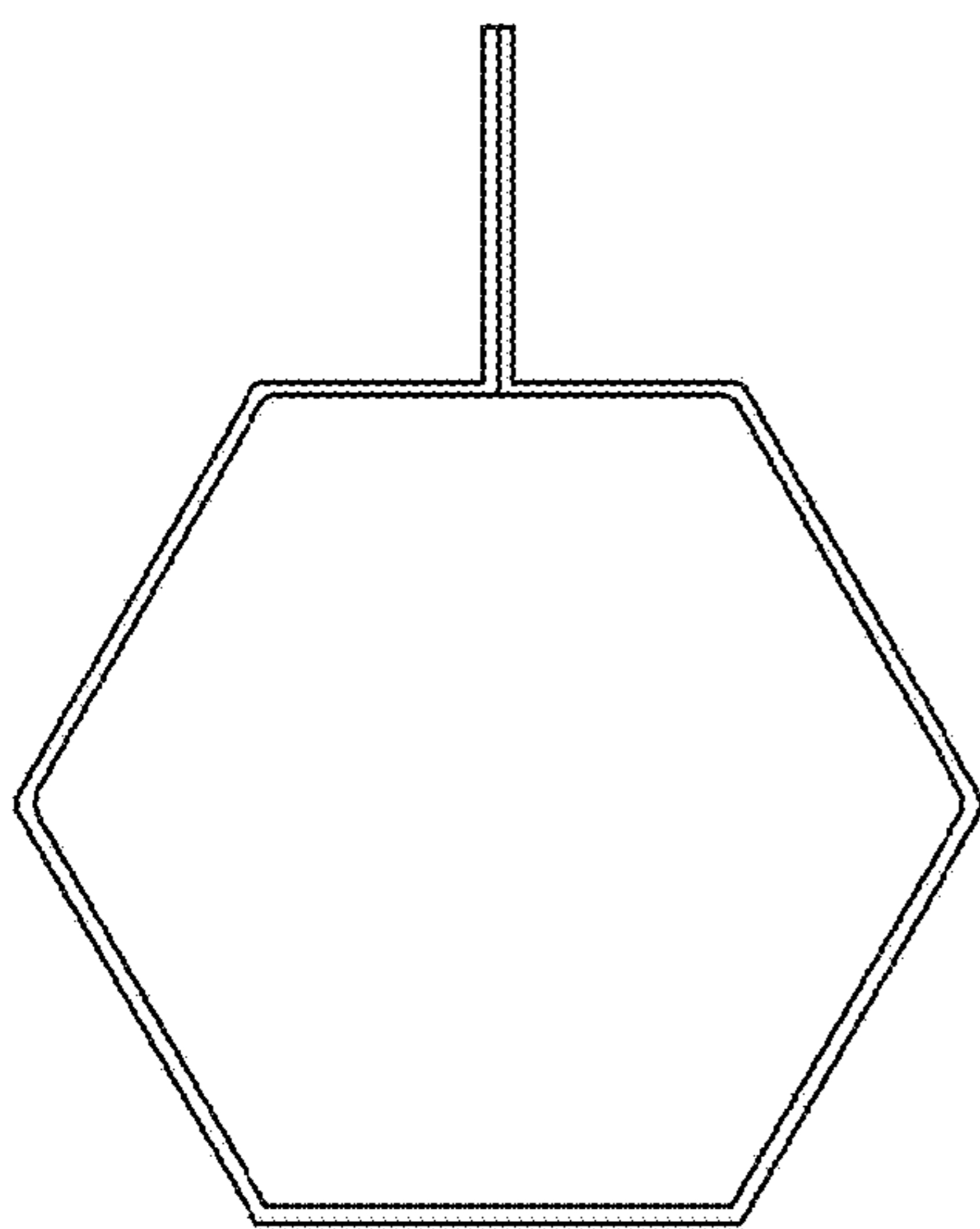


FIG. 6

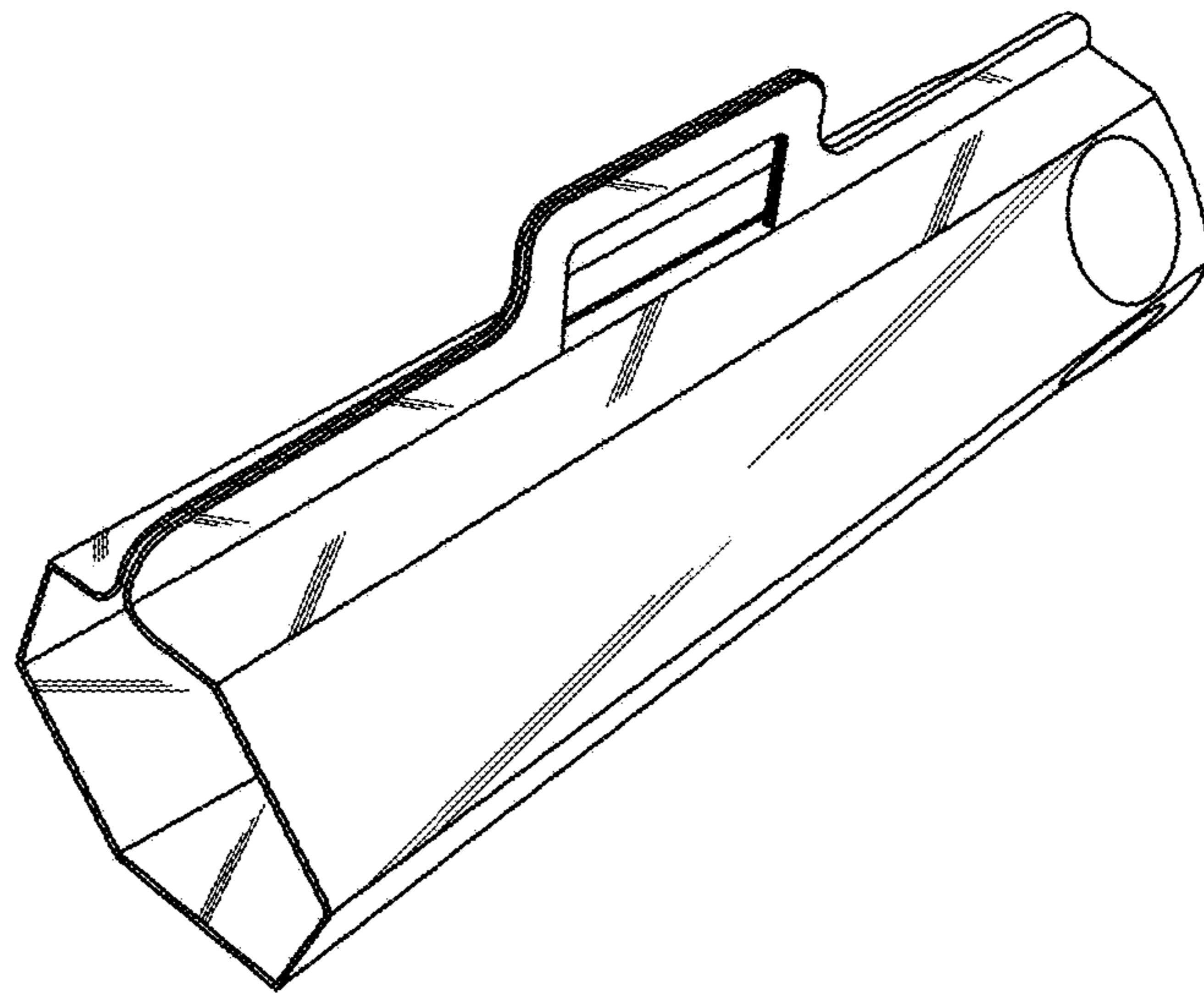


FIG. 7