

US00D862082S

(12) **United States Design Patent** (10) **Patent No.:** **US D862,082 S**  
**Lange** (45) **Date of Patent:** **\*\* Oct. 8, 2019**

- (54) **PURSE WITH EXTERIOR TRANSPARENT PANEL**
- (71) Applicant: **LangeEnterprise LLC**, Edwardsville, IL (US)
- (72) Inventor: **Tamara Lange**, Edwardsville, IL (US)
- (73) Assignee: **LangeEnterprise LLC**, Edwardsville, IL (US)
- (\*\*) Term: **15 Years**
- (21) Appl. No.: **29/645,251**
- (22) Filed: **Apr. 24, 2018**
- (51) **LOC (12) Cl.** ..... **03-01**
- (52) **U.S. Cl.**  
USPC ..... **D3/249**
- (58) **Field of Classification Search**  
USPC ..... D3/247, 249–253  
CPC ..... A45C 1/06; A45C 3/08  
See application file for complete search history.

- (56) **References Cited**  
U.S. PATENT DOCUMENTS  
D343,059 S \* 1/1994 Daniels ..... D3/218  
D812,373 S \* 3/2018 Hildebrand ..... D3/247

\* cited by examiner

*Primary Examiner* — Holly H Baynham  
*(74) Attorney, Agent, or Firm* — Mark E. Stallion;  
 Greensfelder, Hemker & Gale, P.C.

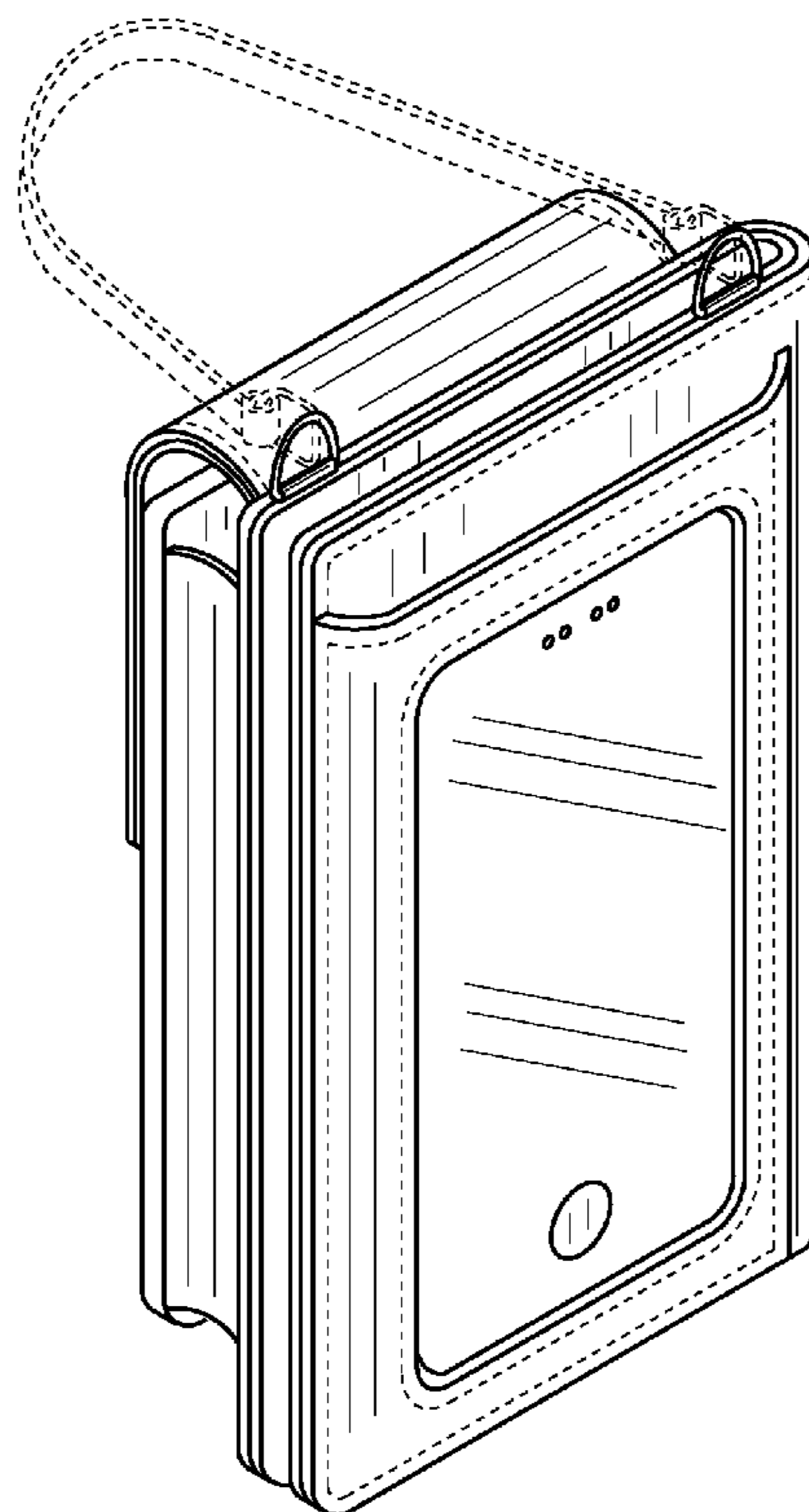
(57) **CLAIM**

The ornamental design for a purse with exterior transparent panel, as shown and described.

**DESCRIPTION**

FIG. 1 is a back side perspective view of the purse with exterior transparent panel in a closed configuration;  
 FIG. 2 is a back view thereof;  
 FIG. 3 is a front view thereof;  
 FIG. 4 is a right side view thereof;  
 FIG. 5 is a left side view thereof;  
 FIG. 6 is a top view thereof;  
 FIG. 7 is a bottom view thereof;  
 FIG. 8 is a perspective view of the purse with exterior transparent panel with interior slot pockets in an open configuration; and,  
 FIG. 9 is an alternative perspective view of the purse with exterior transparent panel in an open configuration.  
 The broken lines representing stitching are part of the claimed design.  
 The broken lines showing the portions of a leather strap are for the purposes of illustrating environment and forms no part of the claimed design.

**1 Claim, 3 Drawing Sheets**



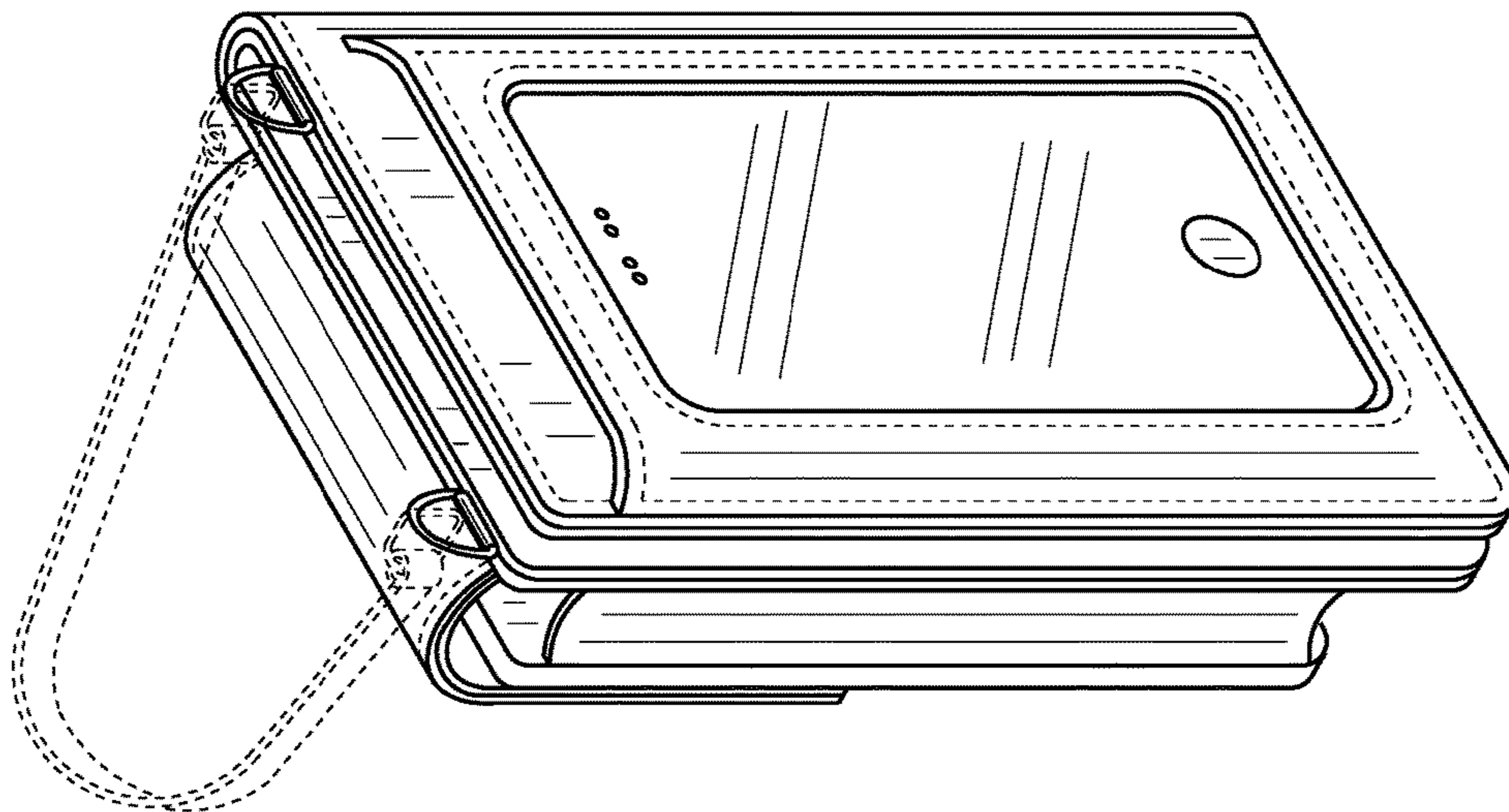


FIG. 1

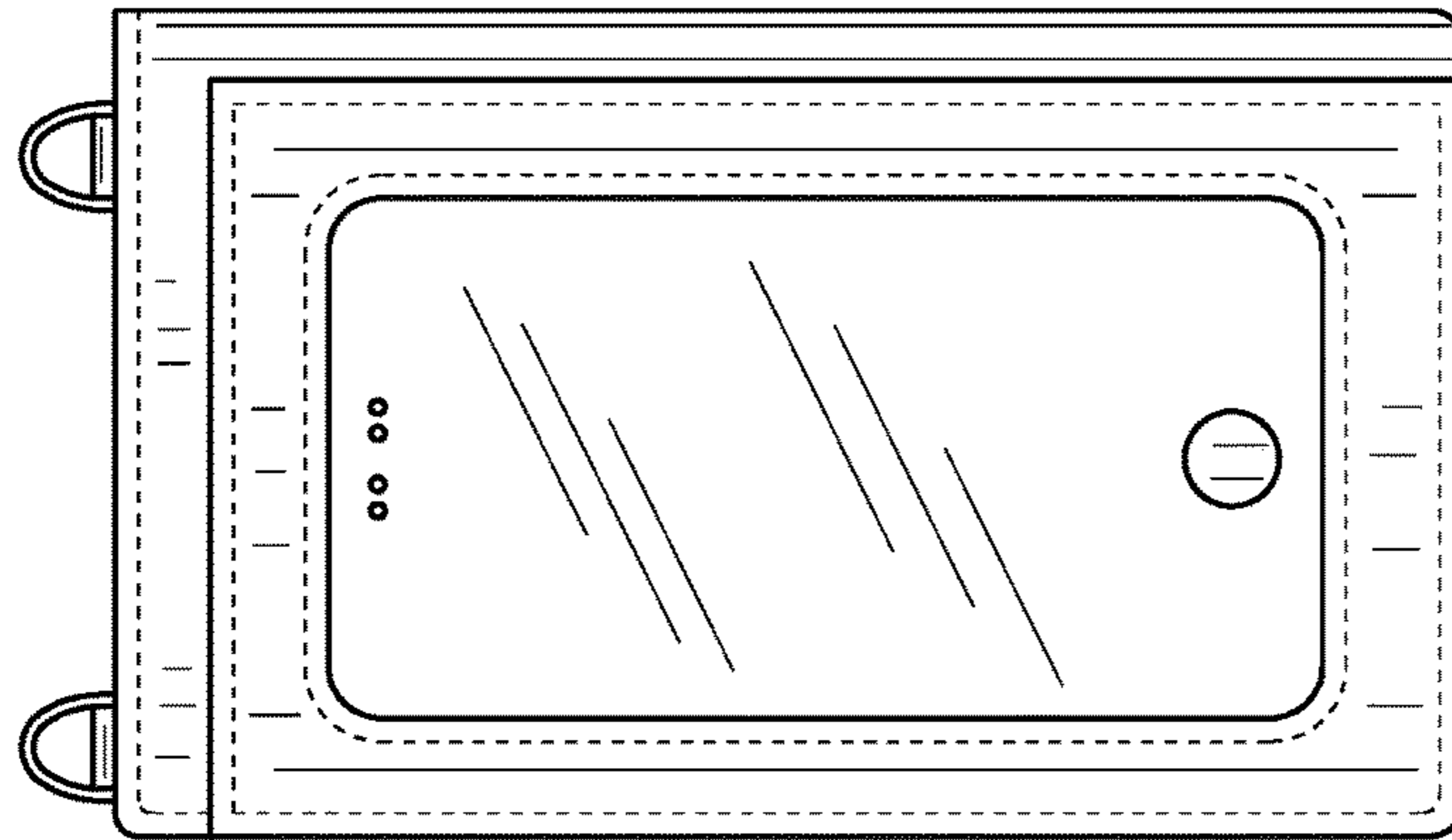


FIG. 2

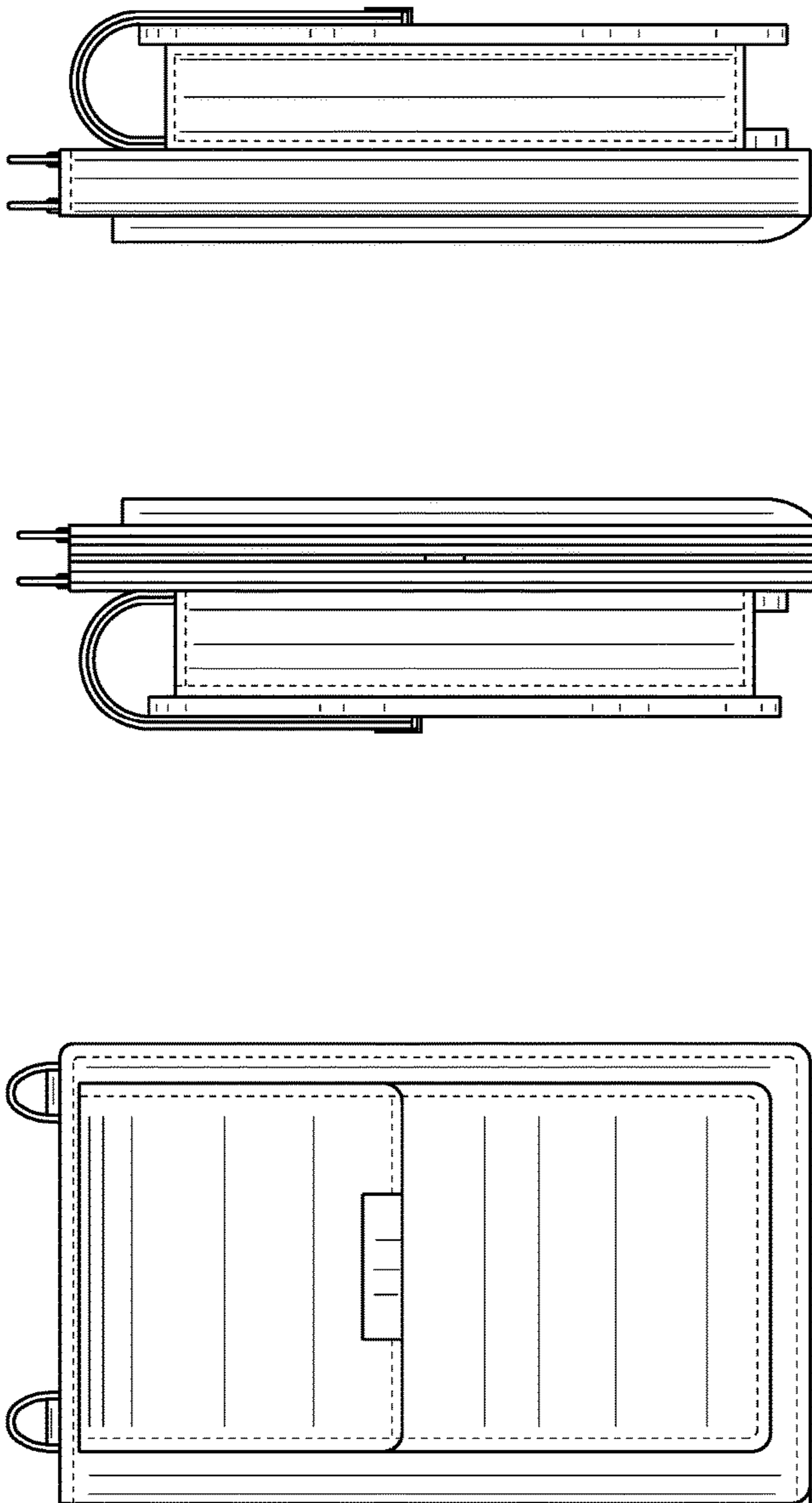


FIG. 4 FIG. 5



FIG. 7

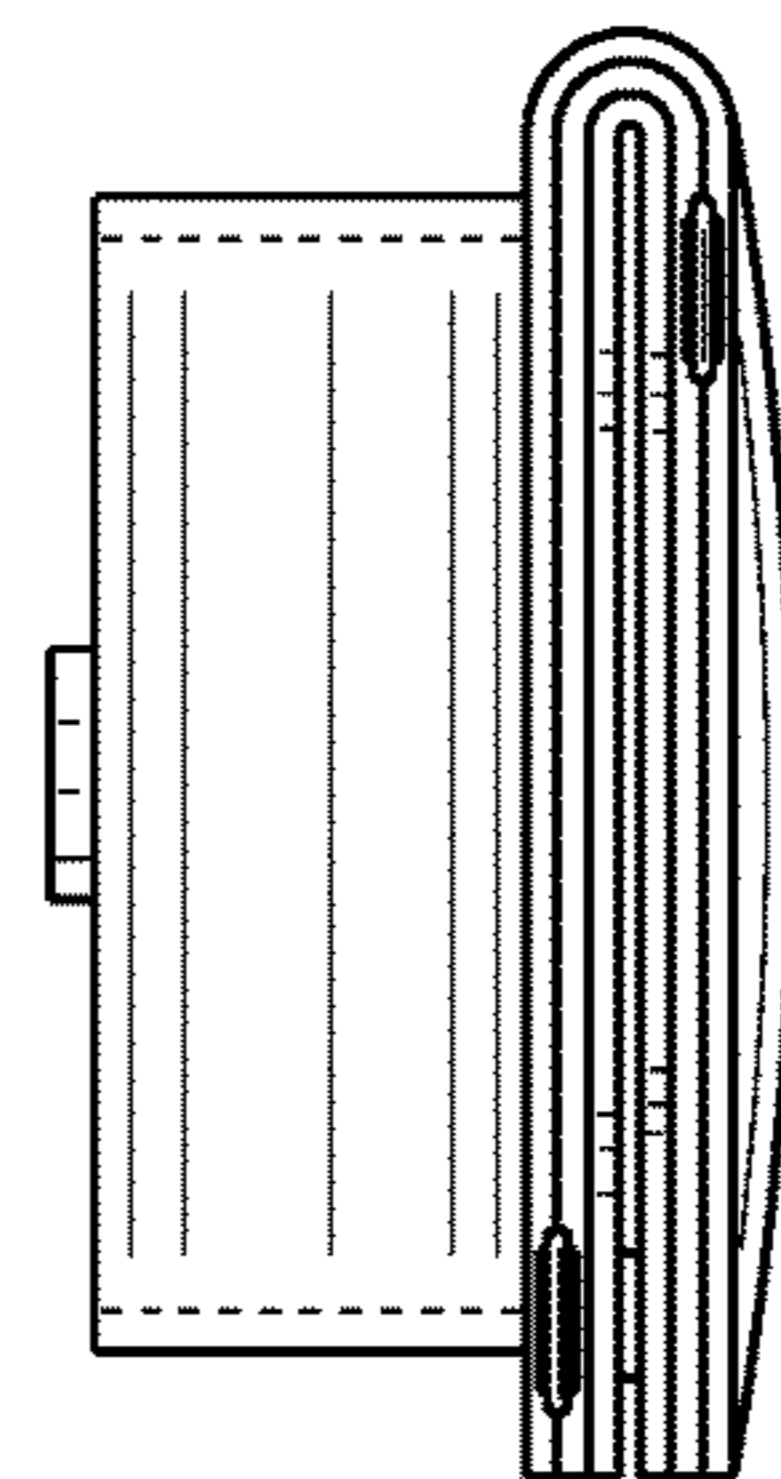


FIG. 6

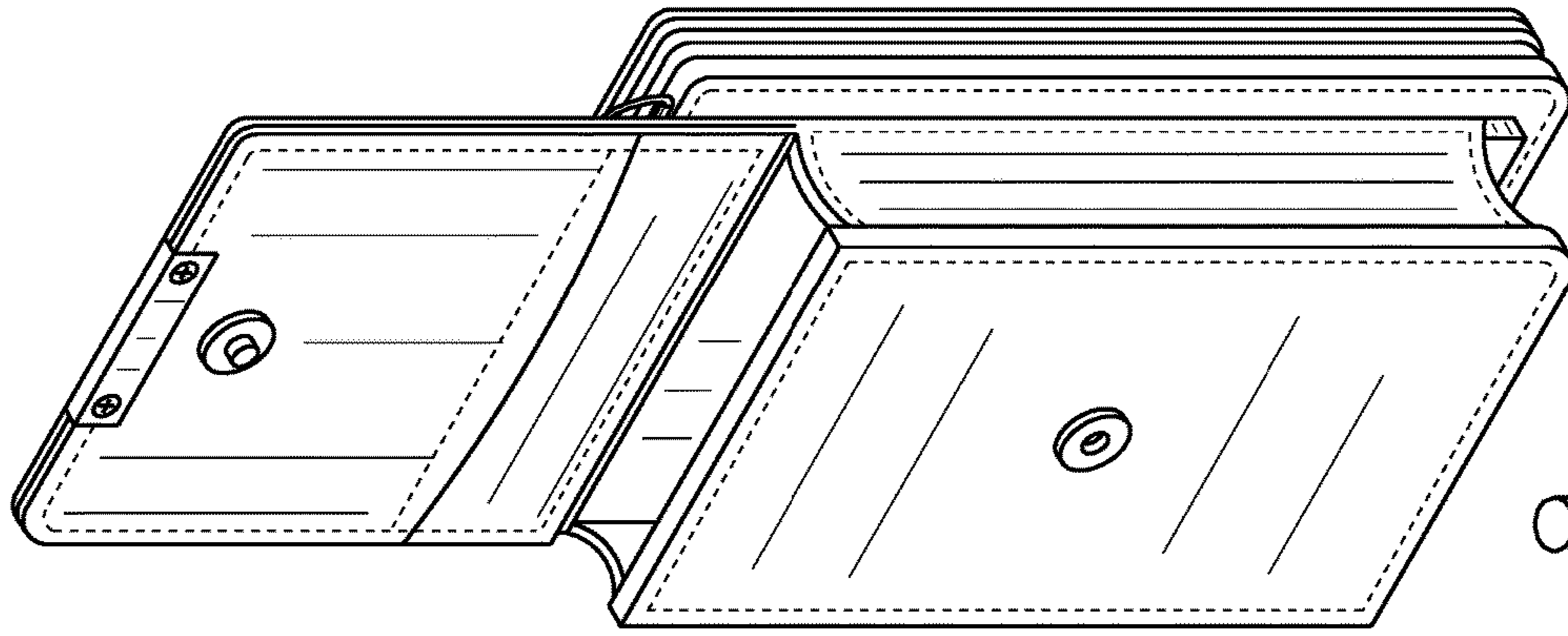


FIG. 9

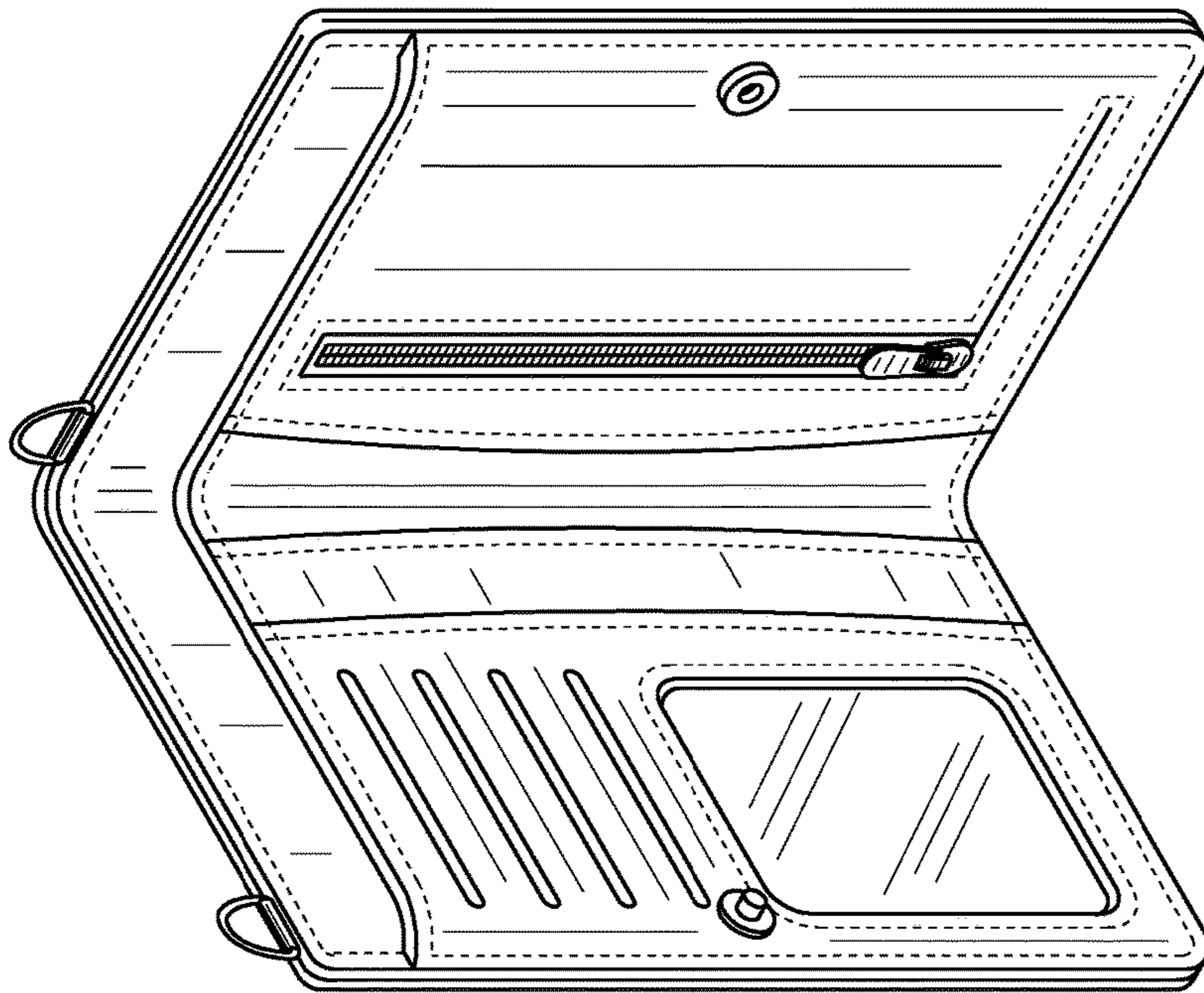


FIG. 8