



US00D862081S

(12) **United States Design Patent** (10) **Patent No.:** **US D862,081 S**  
**Lange** (45) **Date of Patent:** **\*\* Oct. 8, 2019**

(54) **PURSE WITH EXTERIOR TRANSPARENT PANEL**  
 (71) Applicant: **LangeEnterprise LLC**, Edwardsville, IL (US)  
 (72) Inventor: **Tamara Lange**, Edwardsville, IL (US)  
 (73) Assignee: **LangeEnterprise LLC**, Edwardsville, IL (US)

*Primary Examiner* — Holly H Baynham  
 (74) *Attorney, Agent, or Firm* — Mark E. Stallion; Greensfelder, Hemker & Gale, P.C.

(\*\*) Term: **15 Years**

(57) **CLAIM**

The ornamental design for a purse with exterior transparent panel, as shown and described.

(21) Appl. No.: **29/645,245**  
 (22) Filed: **Apr. 24, 2018**  
 (51) **LOC (12) Cl.** ..... **03-01**  
 (52) **U.S. Cl.**  
 USPC ..... **D3/249**  
 (58) **Field of Classification Search**  
 USPC ..... D3/247, 249–253  
 CPC ..... A45C 1/06; A45C 3/08  
 See application file for complete search history.

**DESCRIPTION**

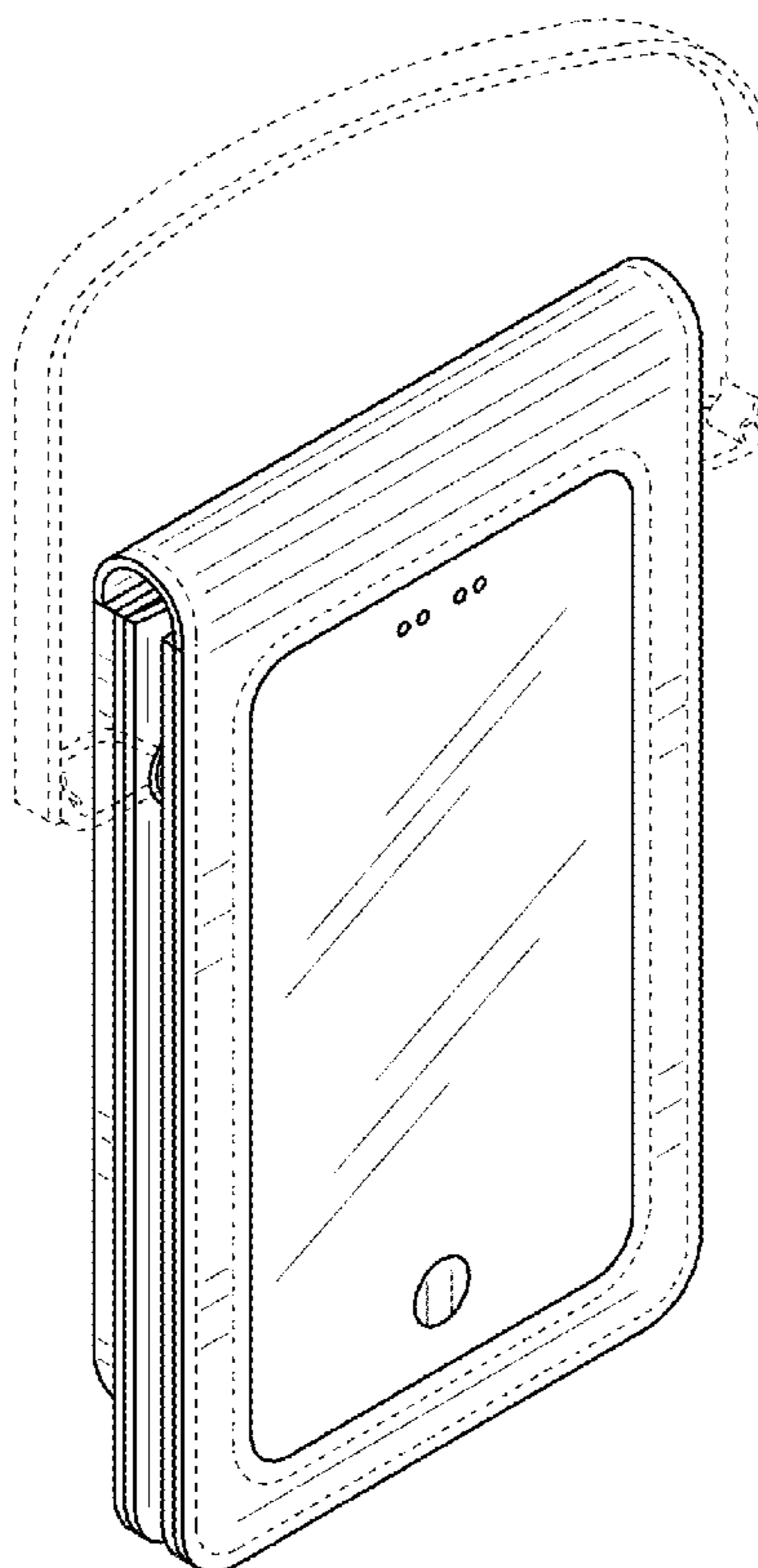
FIG. 1 is a backside perspective view of the purse with exterior transparent panel in a closed configuration;  
 FIG. 2 is a back view thereof;  
 FIG. 3 is a front view thereof;  
 FIG. 4 is a right side view thereof;  
 FIG. 5 is a left side view thereof;  
 FIG. 6 is a top view thereof;  
 FIG. 7 is a bottom view thereof; and,  
 FIG. 8 is a perspective view of the purse with exterior transparent panel with interior slot pockets in an open configuration.

(56) **References Cited**  
 U.S. PATENT DOCUMENTS  
 D343,059 S \* 1/1994 Daniels ..... D3/218  
 D812,373 S \* 3/2018 Hildebrand ..... D3/247

The broken lines representing stitching are part of the claimed design.  
 The broken lines showing the portions of a leather strap are for the purposes of illustrating environment and forms no part of the claimed design.

\* cited by examiner

**1 Claim, 3 Drawing Sheets**



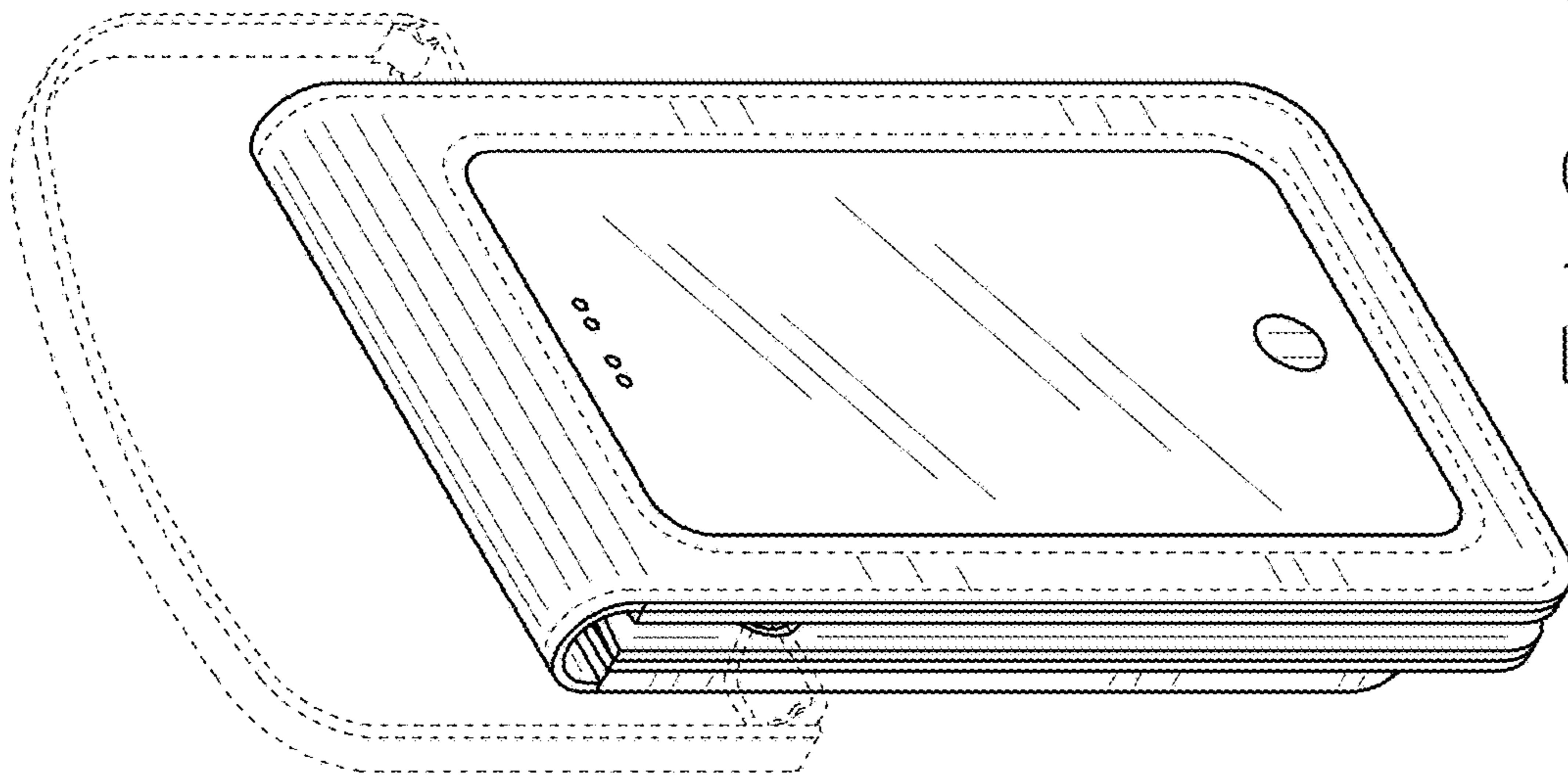


FIG. 1

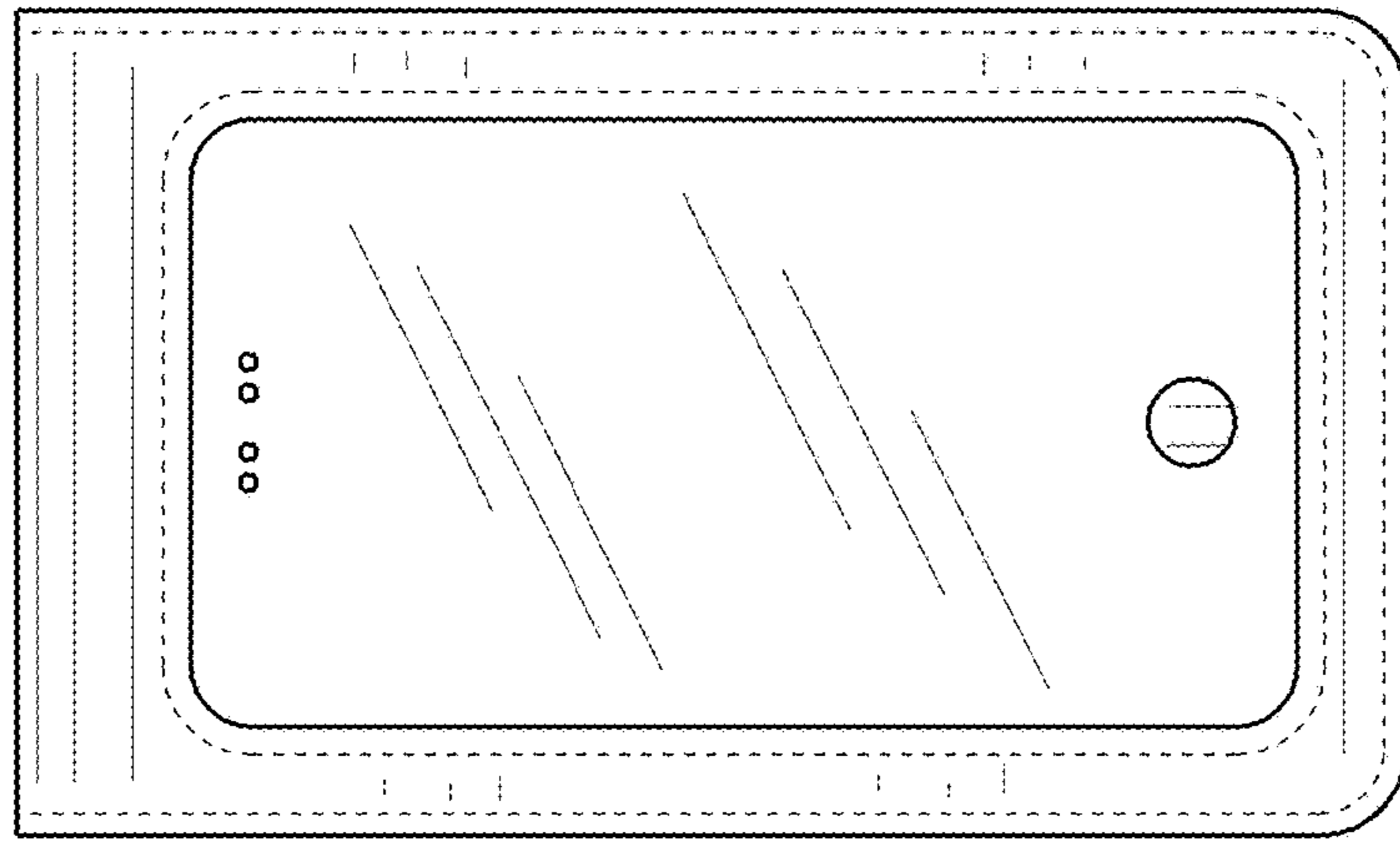


FIG. 2

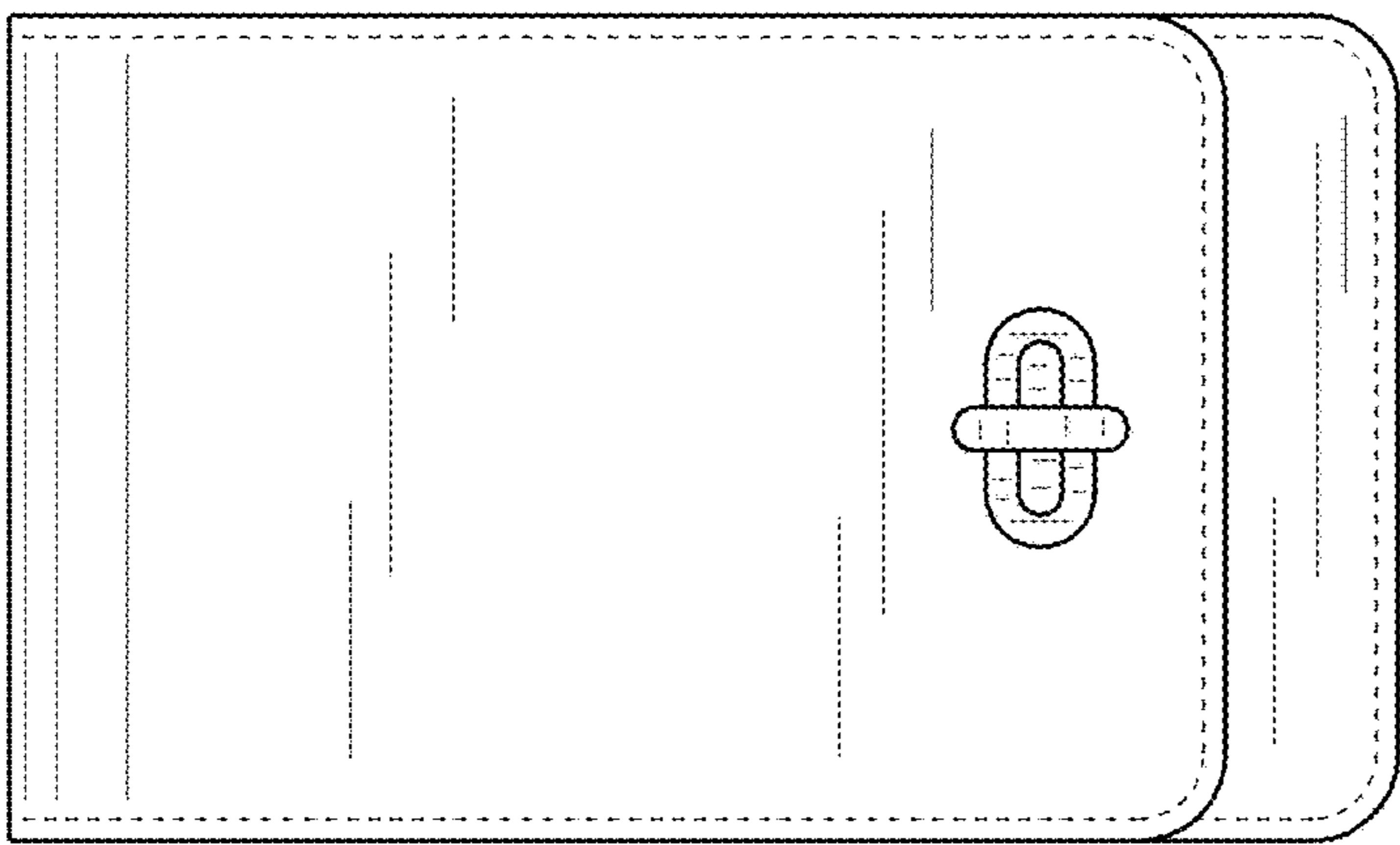


FIG. 3

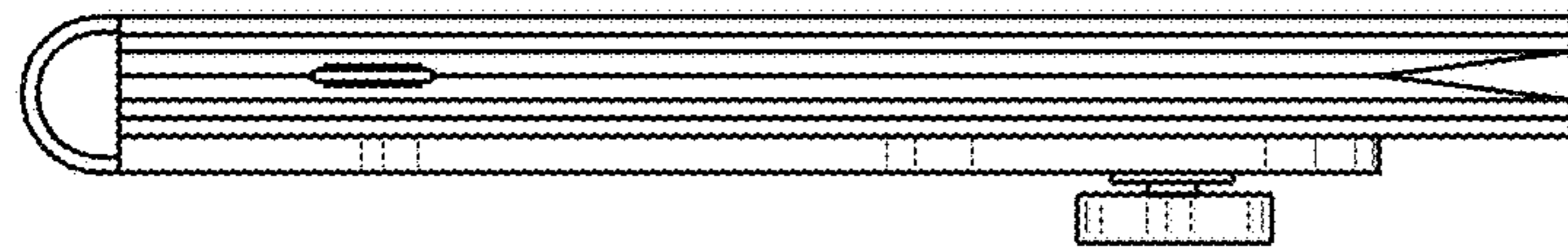


FIG. 4

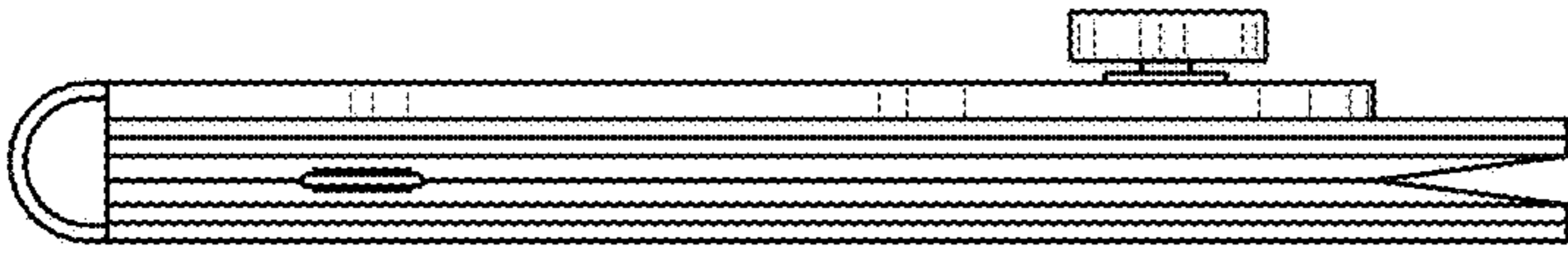


FIG. 5

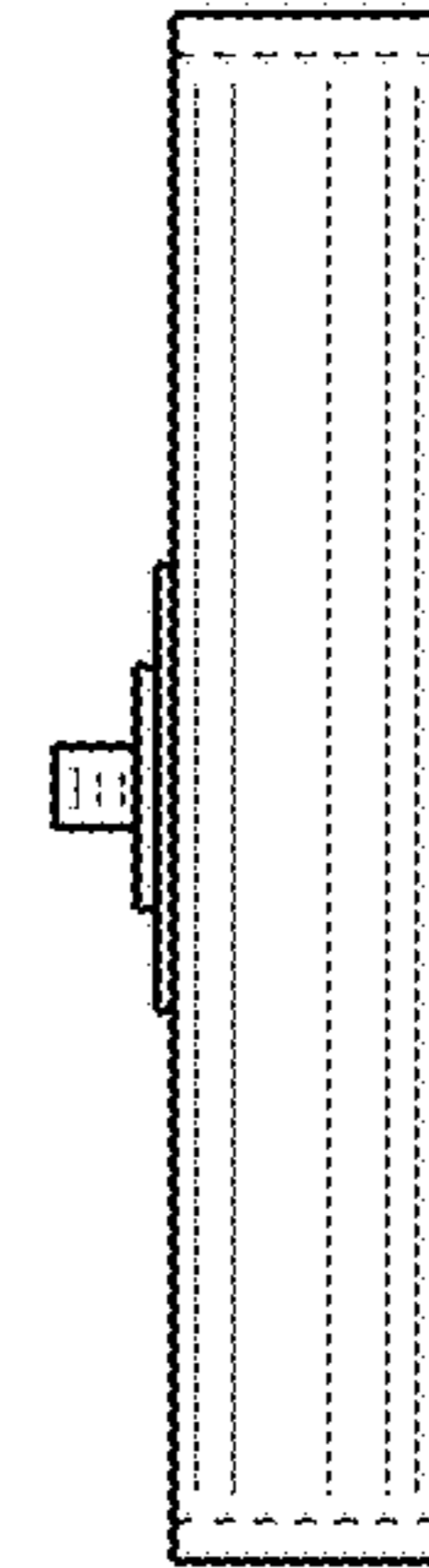


FIG. 6

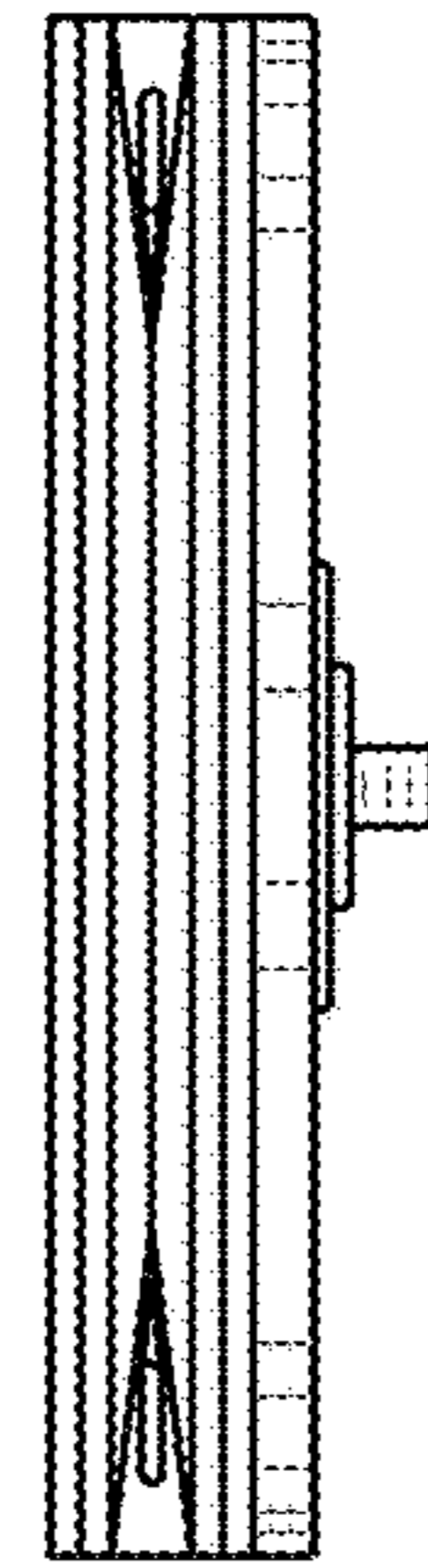


FIG. 7

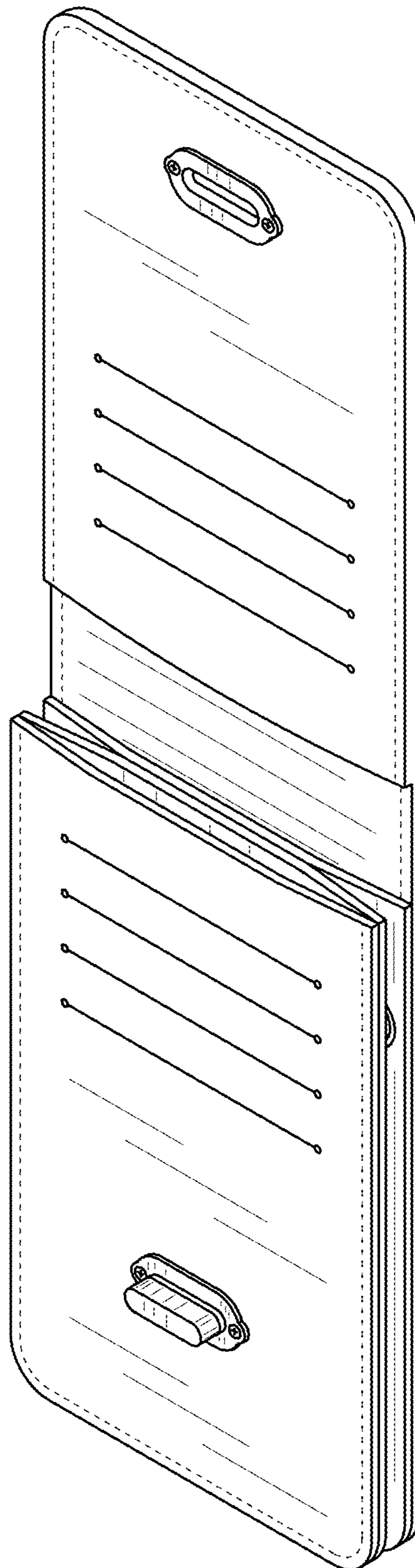


FIG. 8