



US00D862080S

(12) **United States Design Patent**
DeChant

(10) **Patent No.:** **US D862,080 S**

(45) **Date of Patent:** **** Oct. 8, 2019**

(54) **VERTICAL BIFOLD CELL PHONE WALLET**

(71) Applicant: **Daniel A. DeChant**, Madison, WI (US)

(72) Inventor: **Daniel A. DeChant**, Madison, WI (US)

(**) Term: **15 Years**

(21) Appl. No.: **29/636,887**

(22) Filed: **Feb. 12, 2018**

Related U.S. Application Data

(63) Continuation of application No. 29/559,234, filed on Mar. 25, 2016, now Pat. No. Des. 809,791, which is a continuation of application No. 29/505,167, filed on Mar. 27, 2015, now Pat. No. Des. 756,641, which is a continuation of application No. 29/449,465, filed on Mar. 15, 2013, now Pat. No. Des. 728,928.

(51) **LOC (12) Cl.** **03-01**

(52) **U.S. Cl.**
USPC **D3/247**

(58) **Field of Classification Search**
USPC D3/247, 249-253
CPC A45C 1/06; A45C 3/08
See application file for complete search history.

(56) **References Cited**

U.S. PATENT DOCUMENTS

D13,040 S	7/1882	Brueck
658,394 A	9/1900	Peters
33,834 A	10/1906	Hille
940,853 A	11/1909	Cardwell
1,035,945 A	8/1912	Cardwell
1,035,946 A	8/1912	Cardwell
1,073,768 A	9/1913	Loveland
D45,677 S	4/1914	Shick
1,269,247 A	6/1918	Aslin
1,582,492 A	4/1926	Tantlinger

1,671,297 A	5/1928	L'Enfant
D101,819 S	11/1936	Miller
D112,415 S	11/1938	Zumft

(Continued)

FOREIGN PATENT DOCUMENTS

CA	134785	10/2010
DE	197428065	11/1974

(Continued)

Primary Examiner — Holly H Baynham

(74) *Attorney, Agent, or Firm* — Michael Best & Friedrich LLP

(57) **CLAIM**

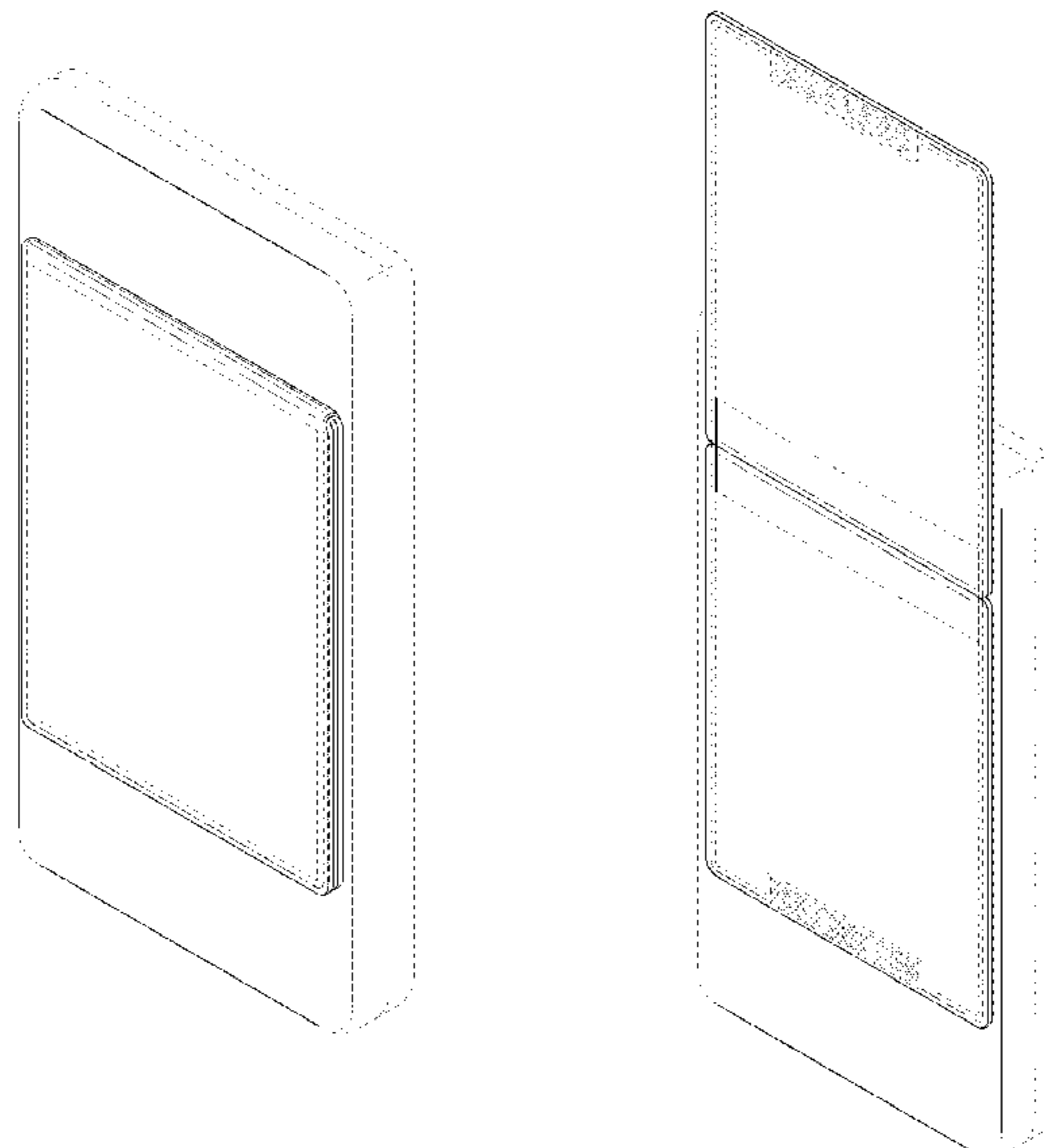
I claim the ornamental design for a vertical bifold cell phone wallet, as shown and described.

DESCRIPTION

FIG. 1 is a perspective view of a vertical bifold cell phone wallet with interior slot pockets according to one embodiment showing my new design;
 FIG. 2 is a front view thereof;
 FIG. 3 is a rear view thereof;
 FIG. 4 is a left side view thereof;
 FIG. 5 is a right side view thereof;
 FIG. 6 is a top view thereof;
 FIG. 7 is a bottom view thereof;
 FIG. 8 is a perspective view of the vertical bifold cell phone wallet with interior slot pockets in an open condition;
 FIG. 9 is a front view thereof;
 FIG. 10 is a rear view thereof;
 FIG. 11 is a left side view thereof;
 FIG. 12 is a right side view thereof;
 FIG. 13 is a top view thereof; and,
 FIG. 14 is a bottom view thereof.

The present application is directed to the design illustrated in the drawings. Portions shown in broken lines form no part of the claimed design.

1 Claim, 10 Drawing Sheets



(56)

References Cited

U.S. PATENT DOCUMENTS

D134,884 S 1/1943 Engelstein
 D178,800 S 9/1956 McKinnon
 D185,056 S 5/1959 Arkin
 3,162,227 A 12/1964 Bakken
 3,370,777 A 2/1968 Levi
 D224,631 S 8/1972 Morris
 D255,509 S 6/1980 Nathan et al.
 4,388,734 A 6/1983 Cowden
 D279,423 S 7/1985 Zucker
 4,705,086 A 11/1987 O'Neill
 D308,887 S 6/1990 Wyant
 4,934,573 A 6/1990 Jaeger
 4,942,913 A 7/1990 Musso
 D311,815 S 11/1990 Balsley
 D314,213 S 1/1991 Bishop
 D334,588 S 4/1993 Okola
 D340,355 S 10/1993 Little
 D342,829 S 1/1994 Mitchell
 D362,114 S 9/1995 Simhon
 D374,037 S 9/1996 Wyant
 D410,774 S 6/1999 Inbert
 D434,340 S 12/2000 Kojoori
 D434,899 S 12/2000 Kojoori
 D435,339 S 12/2000 Cleveland
 6,409,429 B1 6/2002 Belloni
 6,427,836 B1 8/2002 Bolanos
 D471,008 S 3/2003 Dubone
 D471,704 S 3/2003 Moore
 D475,526 S 6/2003 Gillespie et al.
 D510,596 S 10/2005 Ong
 D527,899 S 9/2006 Morehead
 7,204,398 B1 4/2007 Smith, Sr.
 D551,446 S 9/2007 Elnekaveh
 7,418,987 B2* 9/2008 Duffy A45C 1/06
 150/136
 7,496,971 B2 3/2009 Soto
 D594,656 S 6/2009 Wills
 D599,400 S 9/2009 Lapsker
 D608,092 S 1/2010 Holzner et al.
 D619,806 S 7/2010 Franks
 7,793,809 B2 9/2010 Howell
 D624,749 S 10/2010 Evans
 7,836,622 B1* 11/2010 King G09F 3/14
 206/820
 D630,011 S 1/2011 Knight et al.
 D633,714 S 3/2011 Marshall
 8,047,364 B2 11/2011 Longinotti-Buitoni
 8,556,147 B2 10/2013 Howell
 8,678,256 B2 3/2014 Knight et al.

8,833,379 B1 9/2014 Kaplan
 D718,525 S 12/2014 Kim
 D723,798 S 3/2015 Sha
 D727,019 S 4/2015 DeChant
 D727,619 S 4/2015 DeChant
 D728,228 S 5/2015 DeChant
 D728,229 S 5/2015 DeChant
 D730,646 S 6/2015 DeChant
 9,271,560 B2 3/2016 Buffinton et al.
 D754,433 S 4/2016 DeChant
 D754,434 S 4/2016 DeChant
 D755,513 S 5/2016 DeChant
 D756,643 S 5/2016 DeChant
 D764,167 S 8/2016 DeChant
 9,636,875 B2 5/2017 Hairston et al.
 D790,853 S* 7/2017 DeChant D3/247
 D808,649 S* 1/2018 DeChant D3/247
 D809,289 S* 2/2018 DeChant D3/247
 D809,791 S* 2/2018 DeChant D3/247
 D811,739 S* 3/2018 DeChant D3/247
 D813,535 S* 3/2018 Faulkner D3/247
 D822,988 S* 7/2018 Taylor D3/247
 D828,024 S* 9/2018 Serman D3/247
 D829,000 S* 9/2018 DeChant D3/247
 D833,143 S* 11/2018 DeChant D3/247
 2005/0126667 A1 6/2005 Bell
 2007/0057004 A1 3/2007 Butler et al.
 2007/0232372 A1 10/2007 Plaster
 2007/0262112 A1 11/2007 Butler et al.
 2008/0006355 A1 1/2008 Gomez Micone
 2008/0121322 A1 5/2008 Thomson
 2009/0050686 A1 2/2009 Kon et al.
 2009/0194571 A1 8/2009 Evans
 2011/0030860 A1 2/2011 Allen et al.
 2011/0057034 A1 3/2011 Maxwell
 2011/0277892 A1 11/2011 Black
 2012/0043234 A1 2/2012 Westrup
 2012/0050968 A1 3/2012 Child et al.
 2012/0168483 A1 7/2012 Jambunathan et al.
 2013/0140203 A1 6/2013 Chiang
 2014/0262853 A1 9/2014 DeChant

FOREIGN PATENT DOCUMENTS

DE 199107205 7/1991
 GB 2145622 4/1985
 GB 2070518 11/1997
 GB 4019846 5/2011
 KR 300268261 12/2000
 WO D073447 3/2010
 WO 2012/087152 6/2012

* cited by examiner

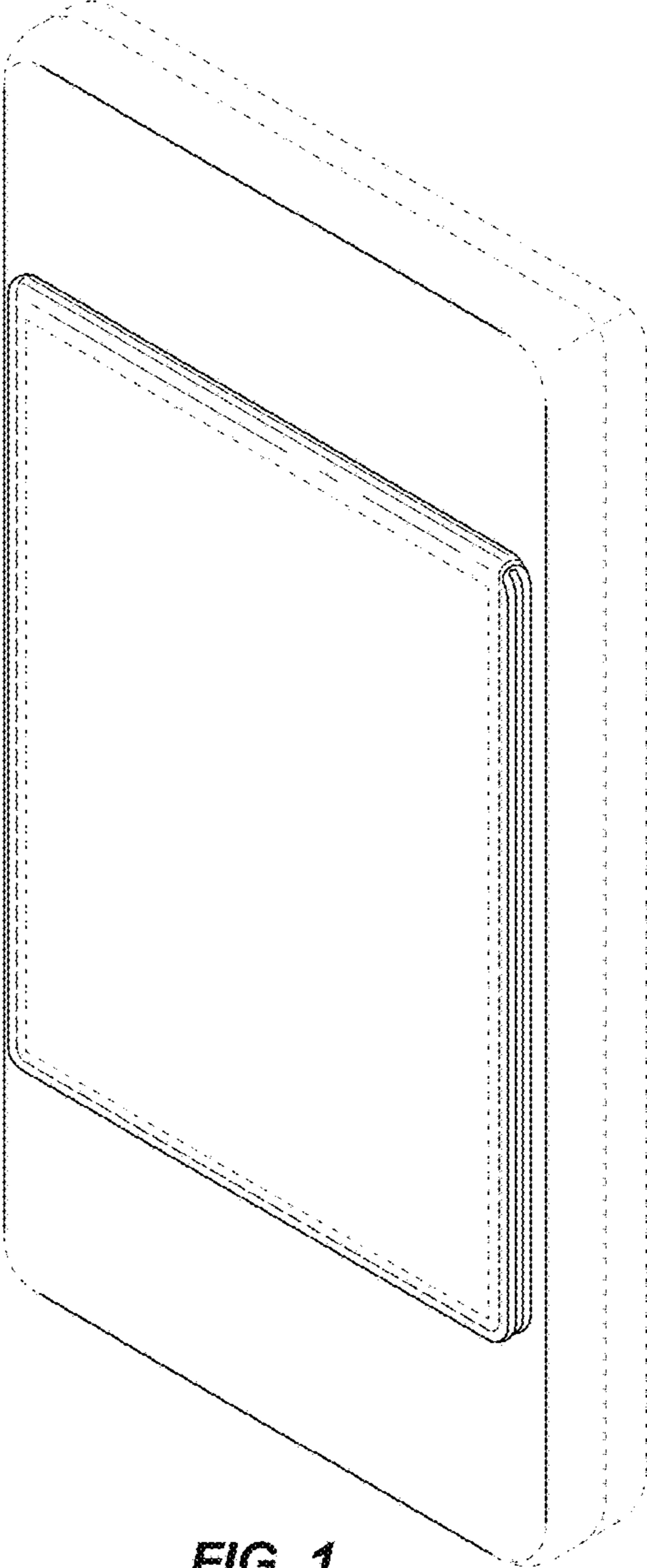


FIG. 1

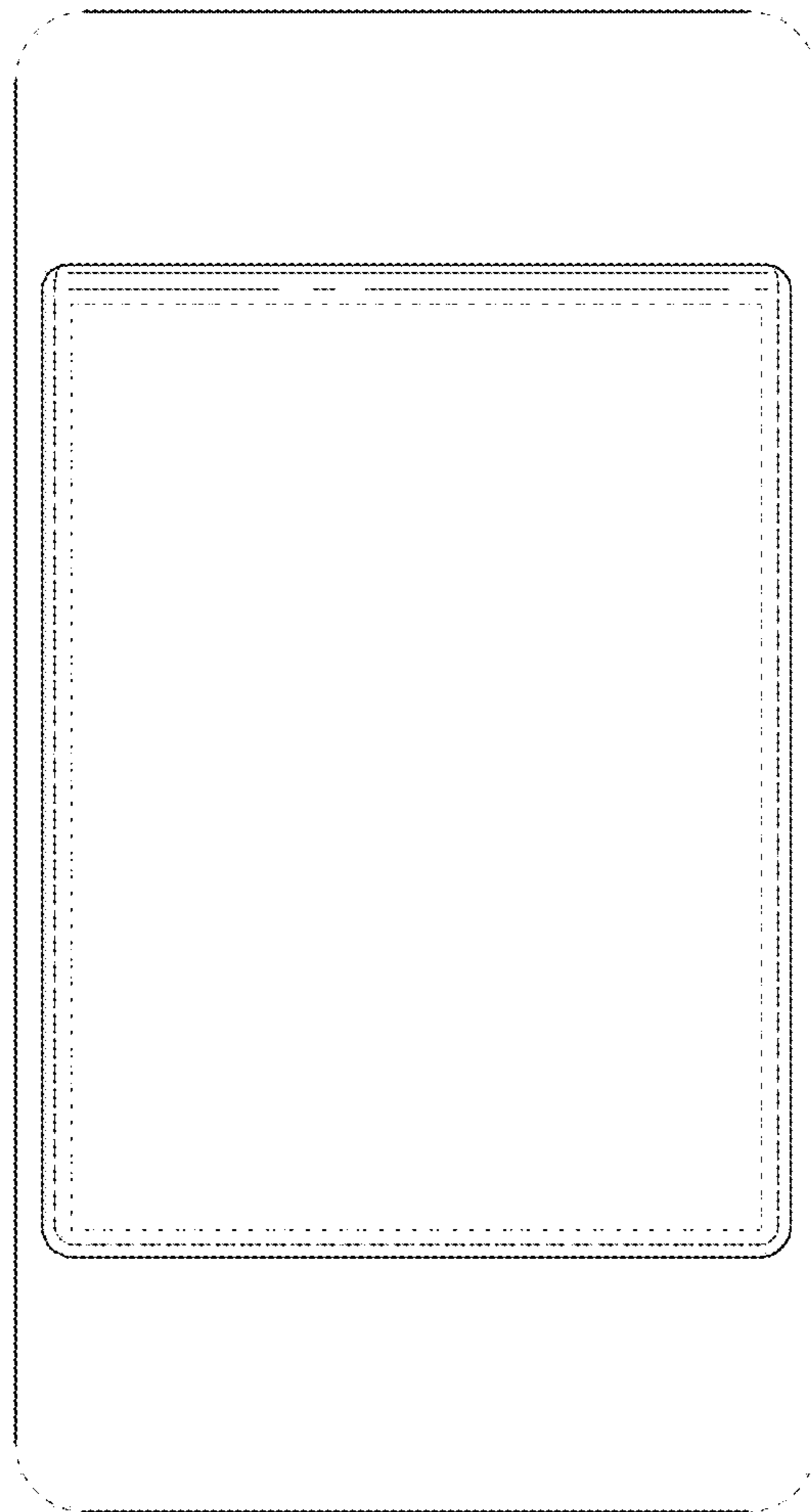


FIG. 2

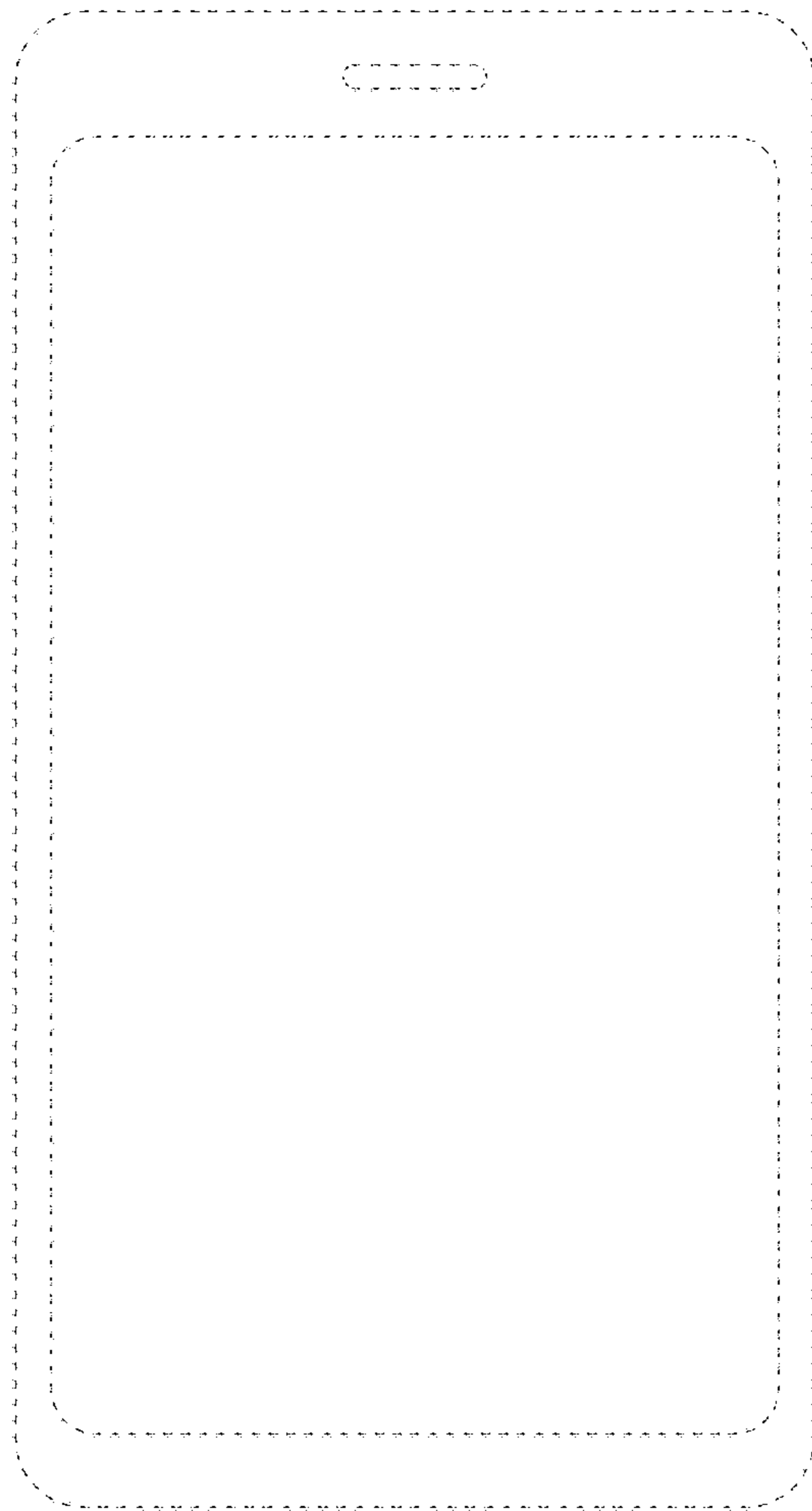


FIG. 3

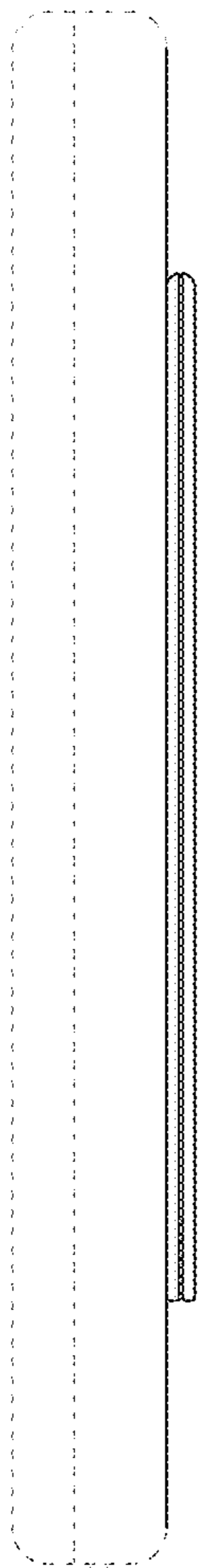


FIG. 4

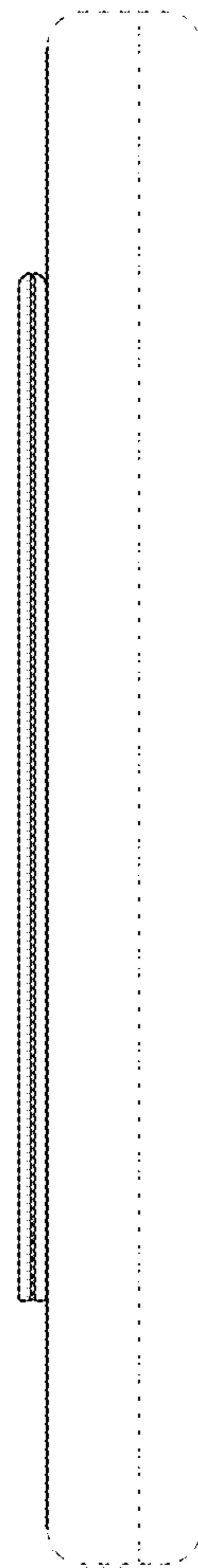


FIG. 5

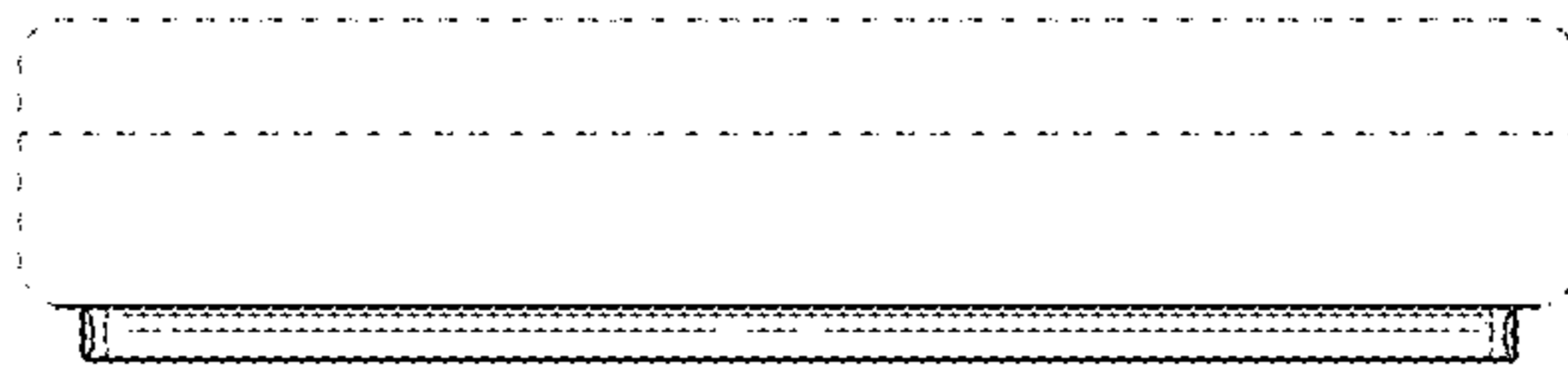


FIG. 6

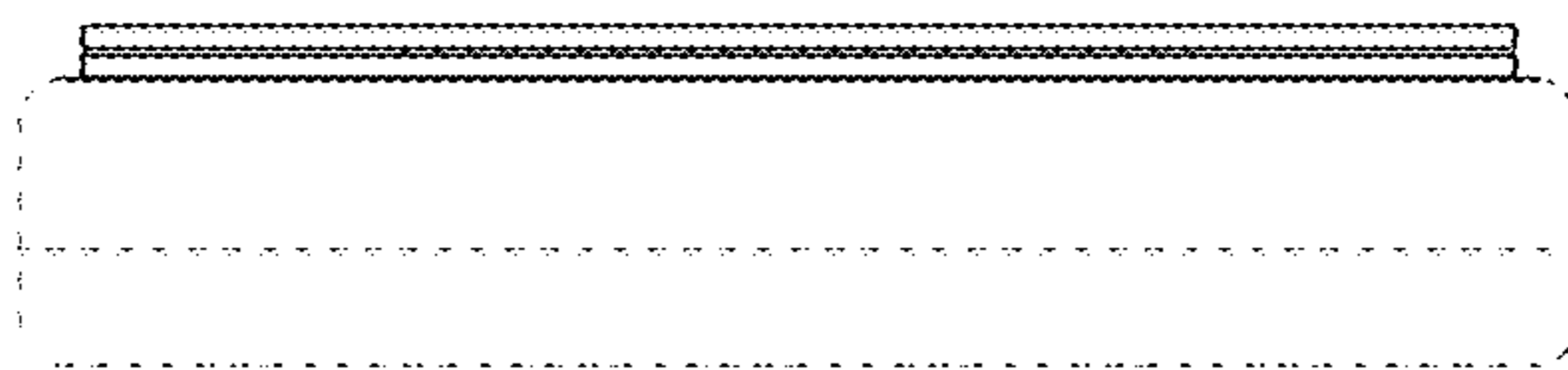


FIG. 7

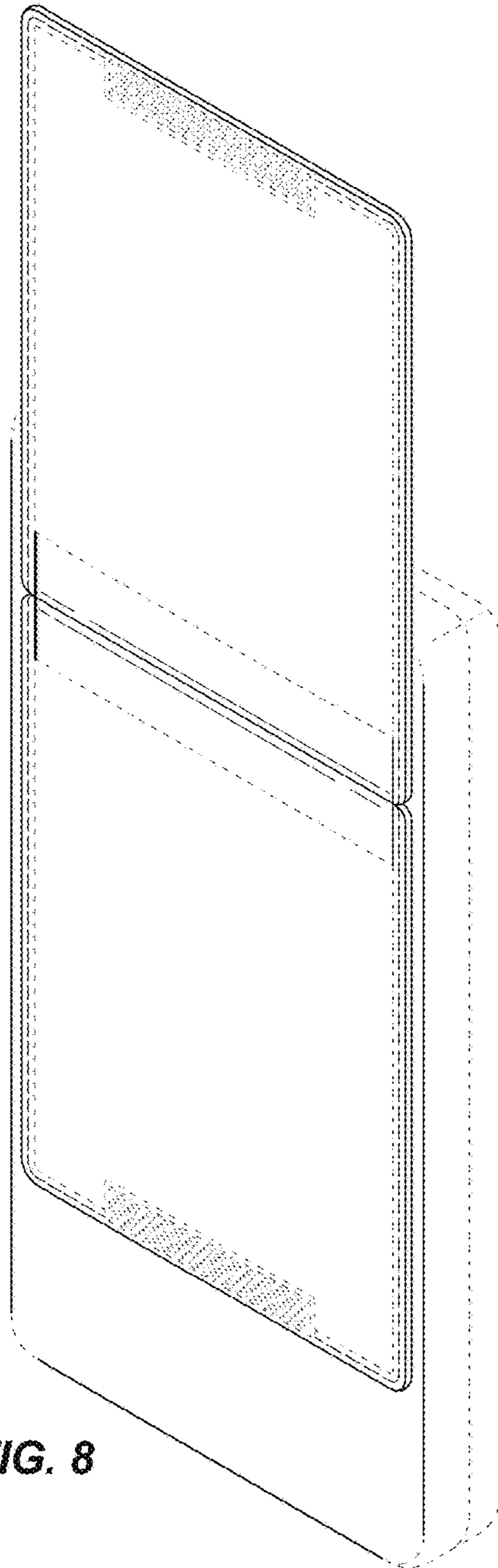


FIG. 8

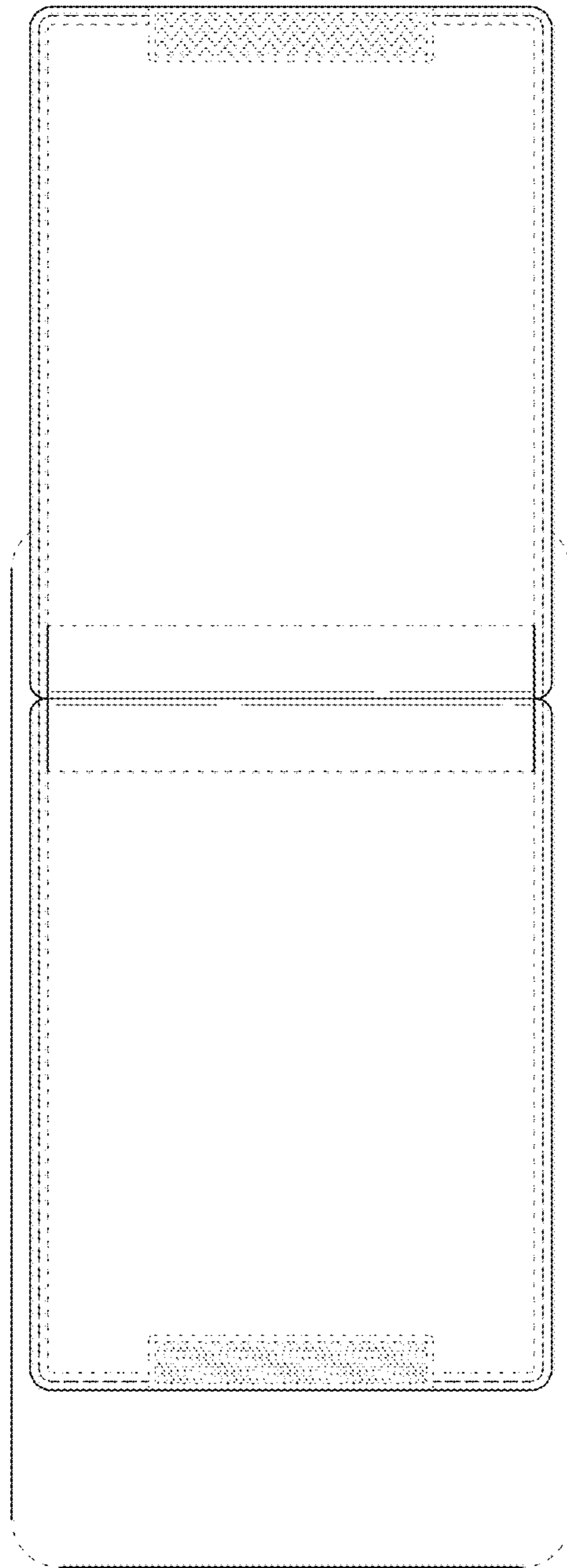


FIG. 9

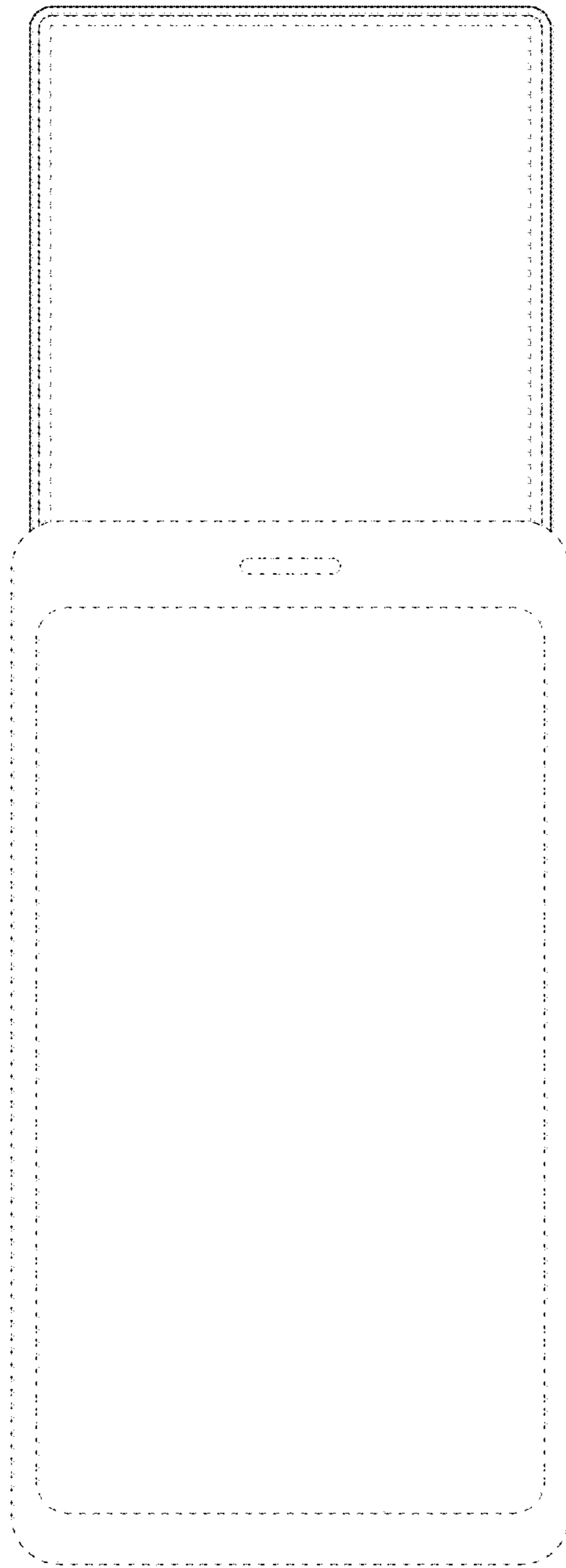


FIG. 10

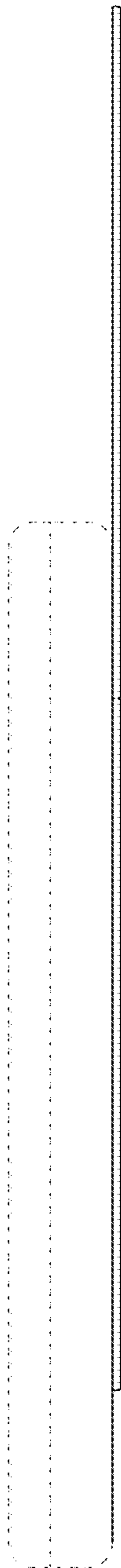


FIG. 11

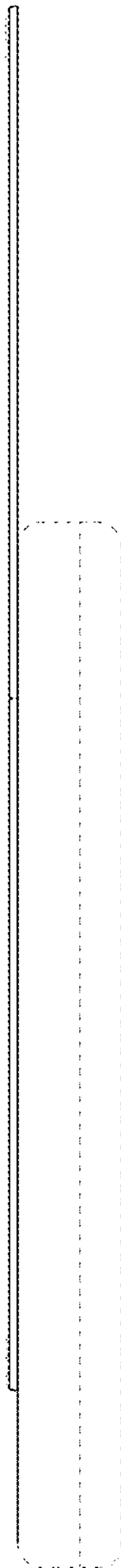


FIG. 12

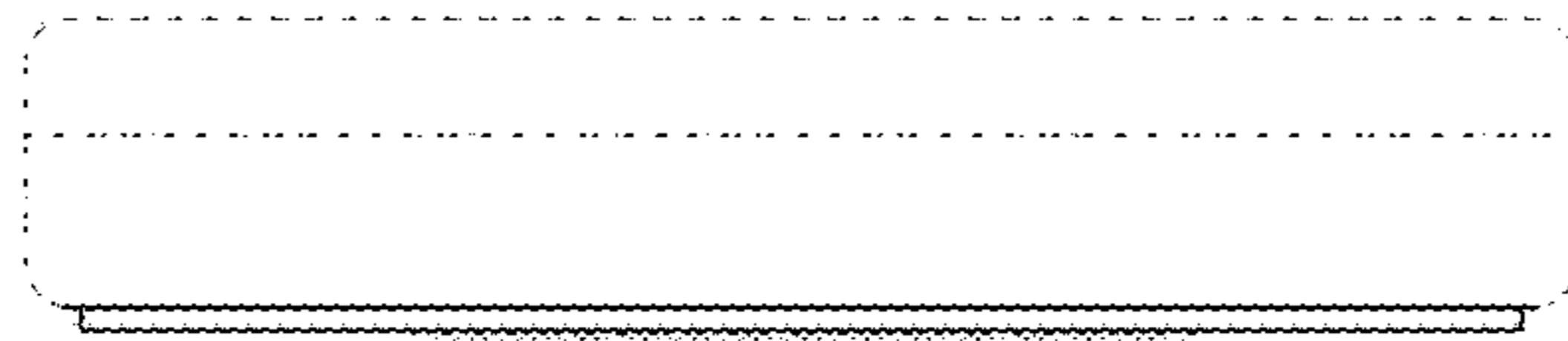


FIG. 13

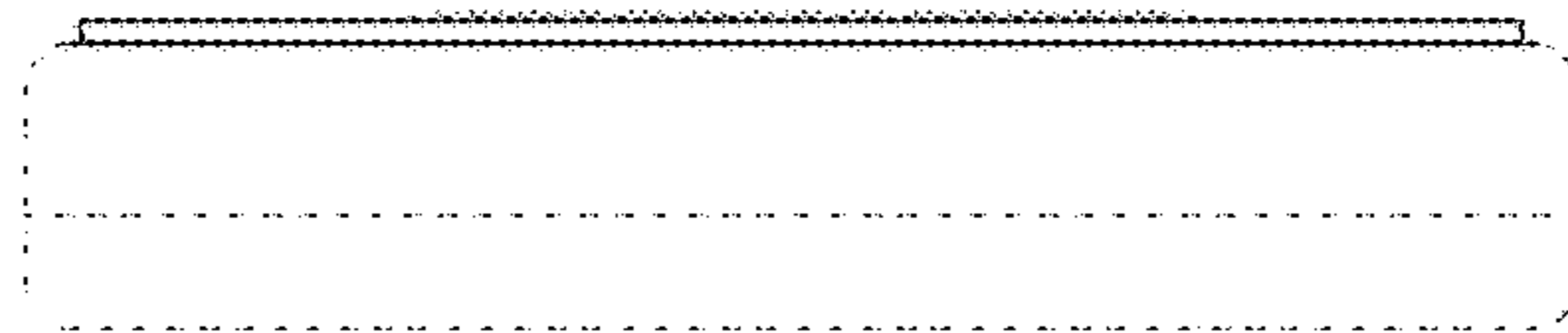


FIG. 14