



US00D862079S

(12) **United States Design Patent** (10) **Patent No.:** **US D862,079 S**
DeChant (45) **Date of Patent:** **** Oct. 8, 2019**

(54) **HORIZONTAL TRIFOLD CELL PHONE WALLET**
(71) Applicant: **Daniel A. DeChant**, Madison, WI (US)
(72) Inventor: **Daniel A. DeChant**, Madison, WI (US)
(**) Term: **15 Years**
(21) Appl. No.: **29/635,301**
(22) Filed: **Jan. 30, 2018**

Related U.S. Application Data

(63) Continuation of application No. 29/559,230, filed on Mar. 25, 2016, now Pat. No. Des. 808,649, which is (Continued)
(51) **LOC (12) Cl.** **03-01**
(52) **U.S. Cl.**
USPC **D3/247**
(58) **Field of Classification Search**
USPC D3/247, 249–253
(Continued)

(56) **References Cited**

U.S. PATENT DOCUMENTS

D13,040 S 7/1882 Brueck
658,394 A 9/1900 Peters
(Continued)

FOREIGN PATENT DOCUMENTS

CA 134785 10/2010
DE 197428065 11/1974
(Continued)

OTHER PUBLICATIONS

DeChant, Co-pending U.S. Appl. No. 29/513,712, filed Jan. 5, 2015.

Primary Examiner — Holly H Baynham
(74) *Attorney, Agent, or Firm* — Michael Best & Friedrich LLP

(57) **CLAIM**

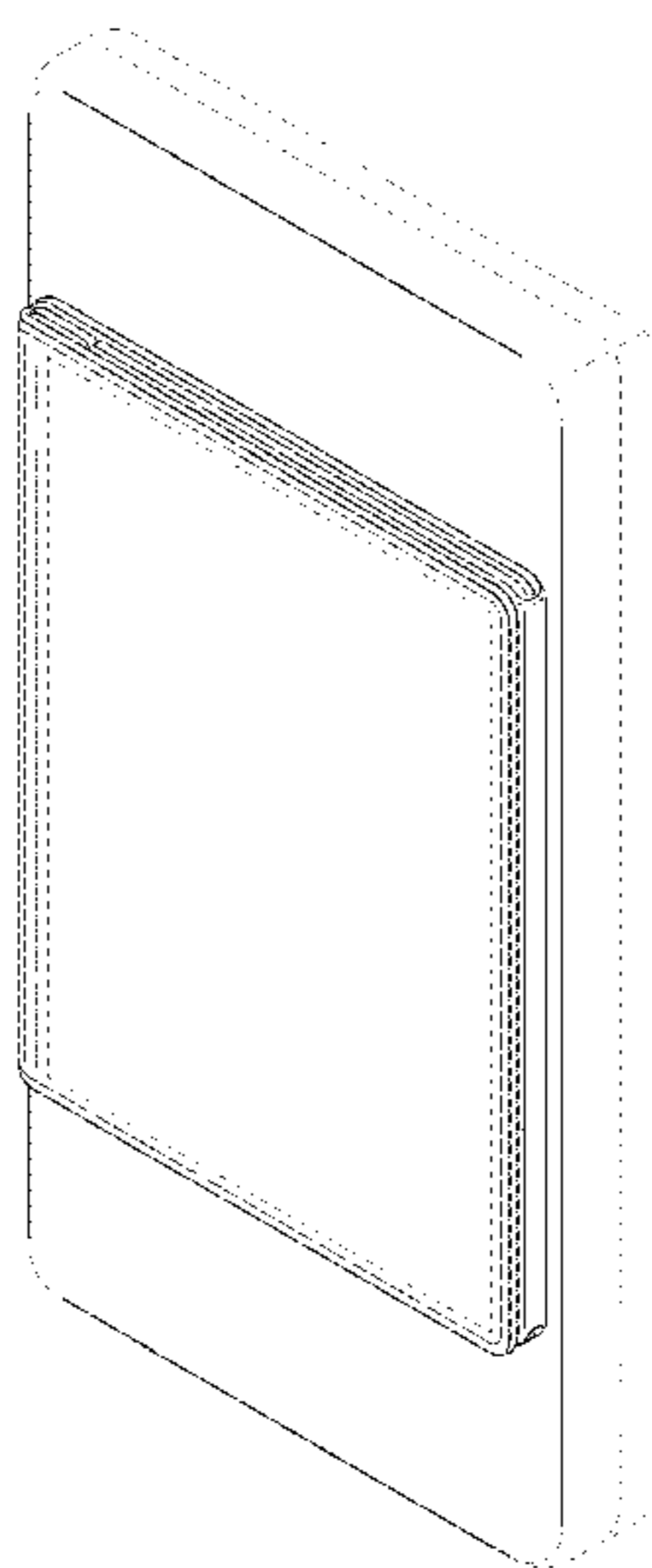
I claim the ornamental design for a horizontal trifold cell phone wallet, as shown and described.

DESCRIPTION

FIG. 1 is a perspective view of a horizontal trifold cell phone wallet showing the new design in a closed condition; FIG. 2 is a front view thereof; FIG. 3 is a rear view thereof; FIG. 4 is a left side view thereof; FIG. 5 is a right side view thereof; FIG. 6 is a top view thereof; and FIG. 7 is a bottom view thereof. FIG. 8 is a perspective view of the horizontal trifold cell phone wallet in an open condition; FIG. 9 is a front view thereof; FIG. 10 is a rear view thereof; FIG. 11 is a left side view thereof; FIG. 12 is a right side view thereof; FIG. 13 is a top view thereof; and FIG. 14 is a bottom view thereof. FIG. 15 is a perspective view of the horizontal trifold cell phone wallet in a stand configuration; FIG. 16 is a front view thereof; FIG. 17 is a rear view thereof; FIG. 18 is a left side view thereof; FIG. 19 is a right side view thereof; FIG. 20 is a top view thereof; and, FIG. 21 is a bottom view thereof.

The present application is directed to the design illustrated in the drawings. Portions shown in broken lines form no part of the claimed design.

1 Claim, 16 Drawing Sheets



Related U.S. Application Data

a continuation of application No. 29/524,368, filed on Apr. 20, 2015, now Pat. No. Des. 756,643, which is a continuation of application No. 29/449,461, filed on Mar. 15, 2013, now Pat. No. Des. 730,646.

(58) **Field of Classification Search**

CPC A45C 1/06; A45C 3/08
See application file for complete search history.

(56)

References Cited

U.S. PATENT DOCUMENTS

833,834	A	10/1906	Hille
940,853	A	11/1909	Cardwell
1,035,945	A	8/1912	Cardwell
1,035,946	A	8/1912	Cardwell
1,073,768	A	9/1913	Loveland
D45,677	S	4/1914	Shick
1,269,247	A	6/1918	Aslin
1,582,492	A	4/1926	Tantlinger
1,671,297	A	5/1928	L'Enfant
D101,819	S	11/1936	Miller
D112,415	S	11/1938	Zumft
D134,884	S	1/1943	Engelstein
D178,800	S	9/1956	McKinnon
D185,056	S	5/1959	Arkin
3,162,227	A	12/1964	Bakken
3,370,777	A	2/1968	Levi
D224,631	S	8/1972	Morris
D255,509	S	6/1980	Nathan et al.
4,388,734	A	6/1983	Cowden
D279,423	S	7/1985	Zucker
4,705,086	A	11/1987	O'Neill
D308,887	S	6/1990	Wyant
4,934,573	A	6/1990	Jaeger
4,942,913	A	7/1990	Musso
D311,815	S	11/1990	Balsley
D314,213	S	1/1991	Bishop
D334,588	S	4/1993	Okola
D340,355	S	10/1993	Little
D342,829	S	1/1994	Mitchell
D362,114	S	9/1995	Simhon
D374,037	S	9/1996	Wyant
D410,774	S	6/1999	Inbert
D434,340	S	12/2000	Kojoori
D434,899	S	12/2000	Kojoori
D435,339	S	12/2000	Cleveland
6,409,429	B1	6/2002	Belloni
6,427,836	B1	8/2002	Bolanos
D471,008	S	3/2003	Dubone
D471,704	S	3/2003	Moore
D475,526	S	6/2003	Gillespie et al.
D510,596	S	10/2005	Ong
D527,899	S	9/2006	Morehead
7,204,398	B1	4/2007	Smith, Sr.
D551,446	S	9/2007	Elnekaveh
7,418,987	B2 *	9/2008	Duffy A45C 1/06 150/136
7,496,971	B2	3/2009	Soto
D594,656	S	6/2009	Wills
D599,400	S	9/2009	Lapsker
D608,092	S	1/2010	Holzner et al.

D619,806	S	7/2010	Franks
7,793,809	B2	9/2010	Howell
D624,749	S	10/2010	Evans
7,836,622	B1 *	11/2010	King G09F 3/14 206/820
D630,011	S	1/2011	Knight et al.
D633,714	S	3/2011	Marshall
8,047,364	B2	11/2011	Longinotti-Buitoni
8,556,147	B2	10/2013	Howell
8,678,256	B2	3/2014	Knight et al.
8,833,379	B1	9/2014	Kaplan
D718,525	S	12/2014	Kim
D723,798	S	3/2015	Sha
D727,019	S	4/2015	DeChant
D727,619	S	4/2015	DeChant
D728,228	S	5/2015	DeChant
D728,229	S	5/2015	DeChant
D728,928	S	5/2015	DeChant
D730,646	S	6/2015	DeChant
9,271,560	B2	3/2016	Buffinton et al.
D754,433	S	4/2016	DeChant
D754,434	S	4/2016	DeChant
D755,513	S	5/2016	DeChant
D756,641	S	5/2016	DeChant
D756,643	S	5/2016	DeChant
D764,167	S	8/2016	DeChant
9,636,875	B2	5/2017	Hairston et al.
D790,853	S *	7/2017	DeChant D3/247
D808,649	S *	1/2018	DeChant D3/247
D809,289	S *	2/2018	DeChant D3/247
D809,791	S *	2/2018	DeChant D3/247
D811,739	S *	3/2018	DeChant D3/247
D813,535	S *	3/2018	Faulkner D3/247
D822,988	S *	7/2018	Taylor D3/247
D828,024	S *	9/2018	Serman D3/247
D829,000	S *	9/2018	DeChant D3/247
D833,143	S *	11/2018	DeChant D3/247
2005/0126667	A1	6/2005	Bell
2007/0057004	A1	3/2007	Butler et al.
2007/0232372	A1	10/2007	Plaster
2007/0262112	A1	11/2007	Butler et al.
2008/0006355	A1	1/2008	Gomez Micone
2008/0121322	A1	5/2008	Thomson
2009/0050686	A1	2/2009	Kon et al.
2009/0194571	A1	8/2009	Evans
2011/0030860	A1	2/2011	Allen et al.
2011/0057034	A1	3/2011	Maxwell
2011/0277892	A1	11/2011	Black
2012/0043234	A1	2/2012	Westrup
2012/0050968	A1	3/2012	Child et al.
2012/0168483	A1	7/2012	Jambunathan et al.
2013/0140203	A1	6/2013	Chiang
2014/0262853	A1	9/2014	DeChant

FOREIGN PATENT DOCUMENTS

DE	199107205	7/1991
GB	2145622	4/1985
GB	2070518	11/1997
GB	4019846	5/2011
KR	300268261	12/2000
WO	D073447	3/2010
WO	2012/087152	6/2012

* cited by examiner

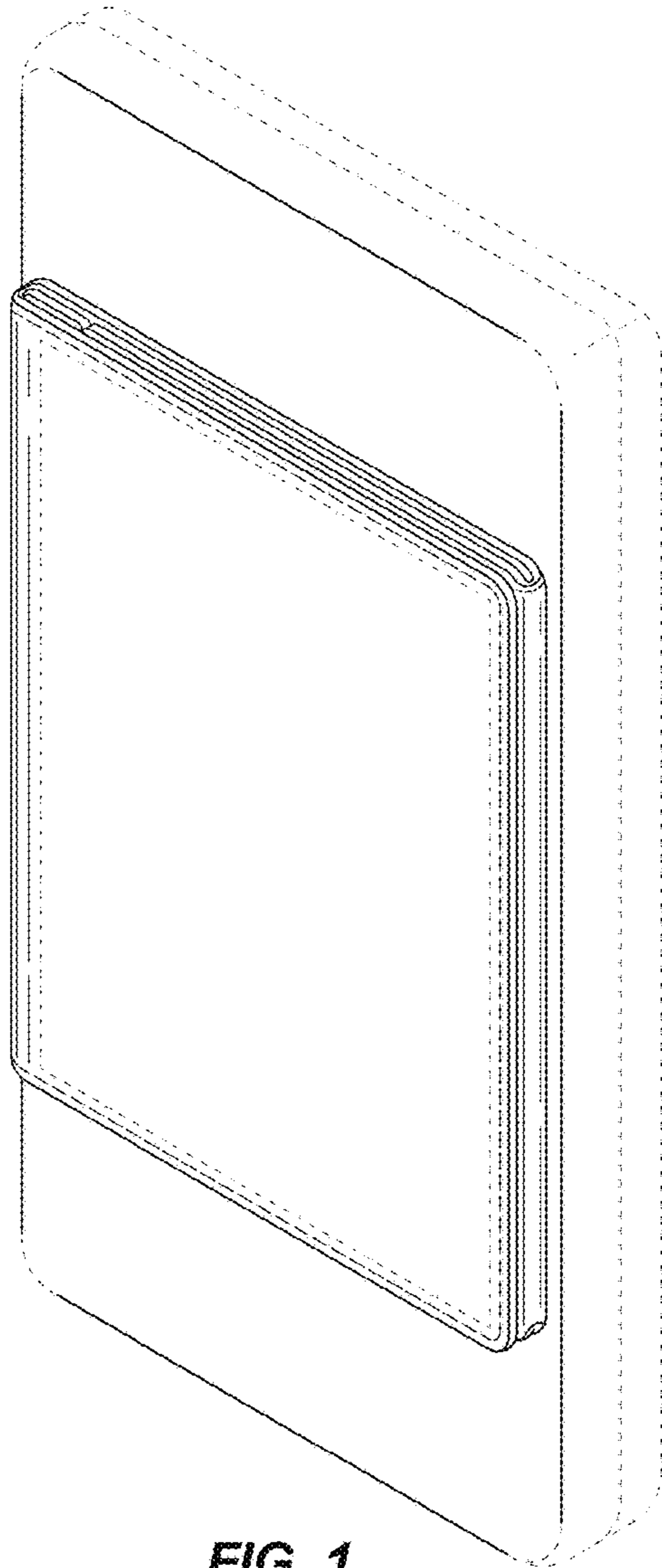


FIG. 1

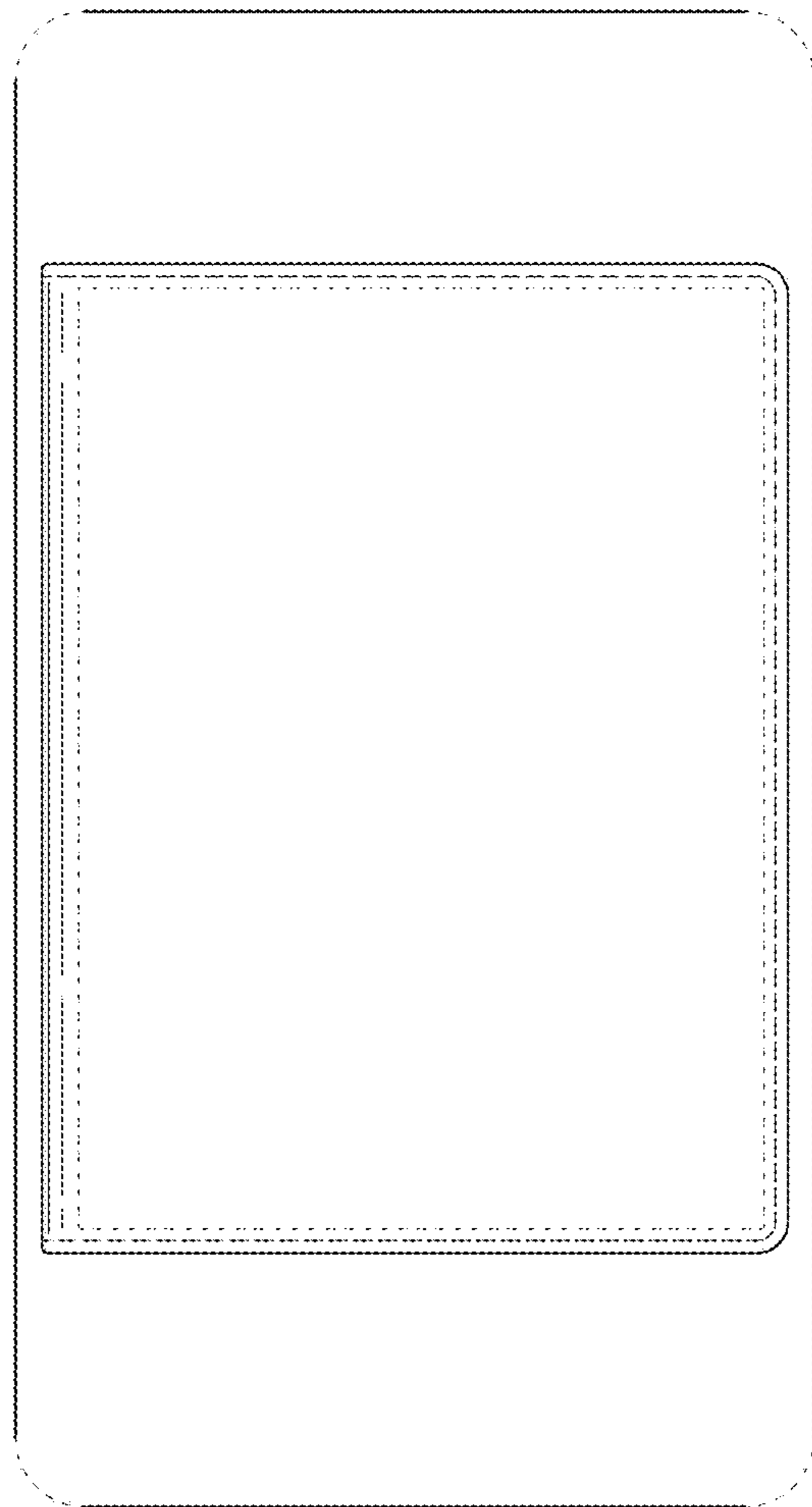


FIG. 2



FIG. 3

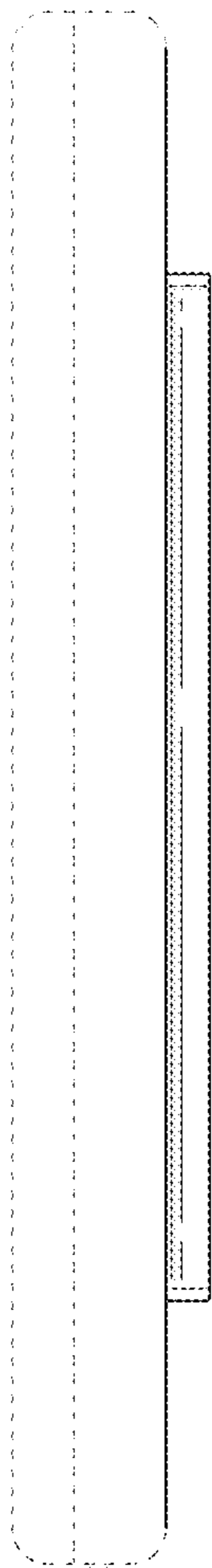


FIG. 4

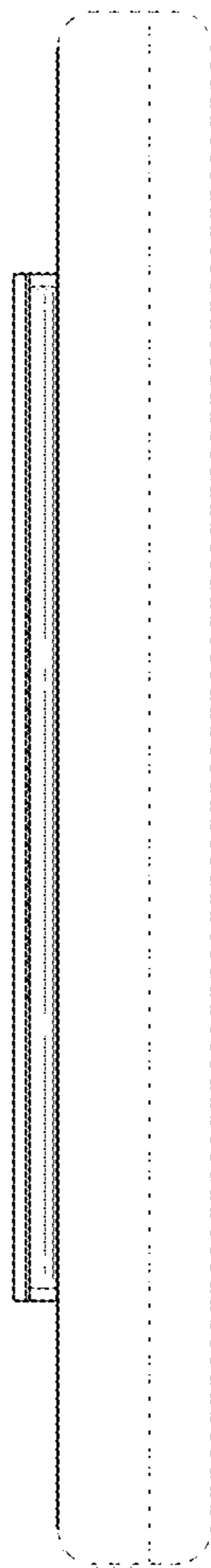


FIG. 5

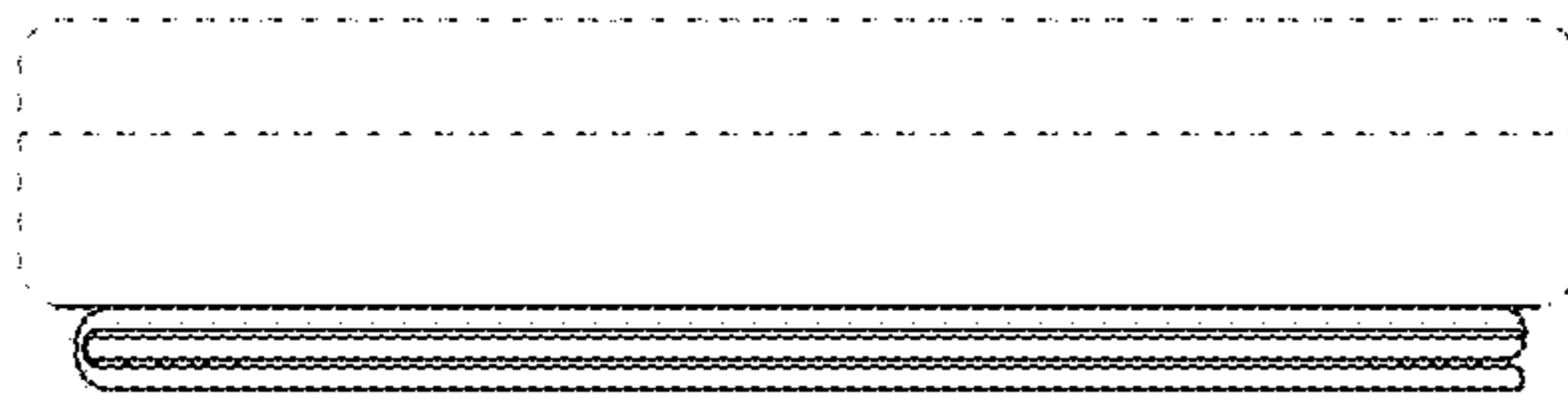


FIG. 6

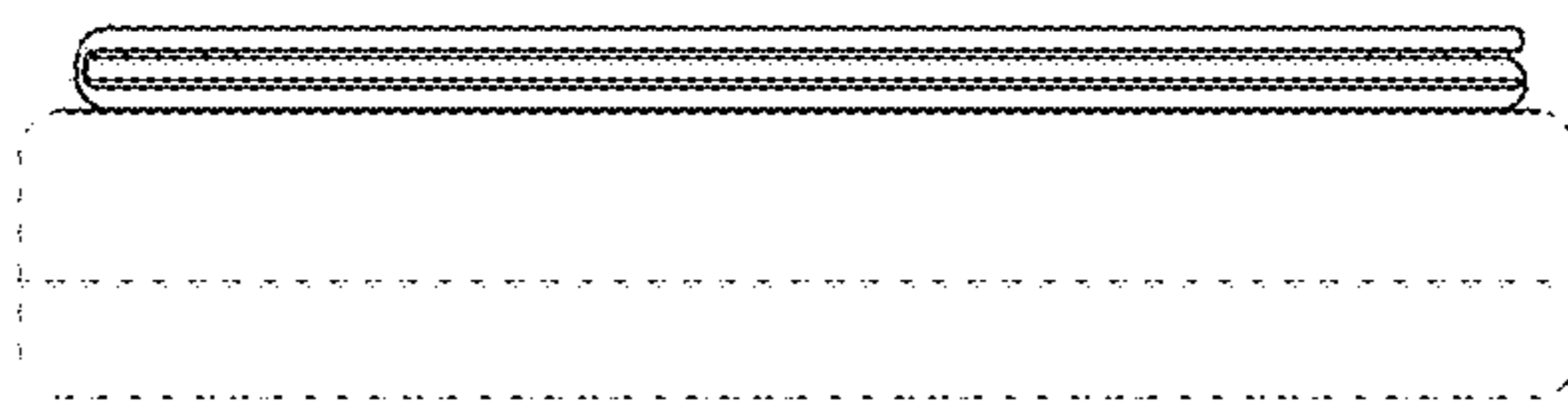


FIG. 7

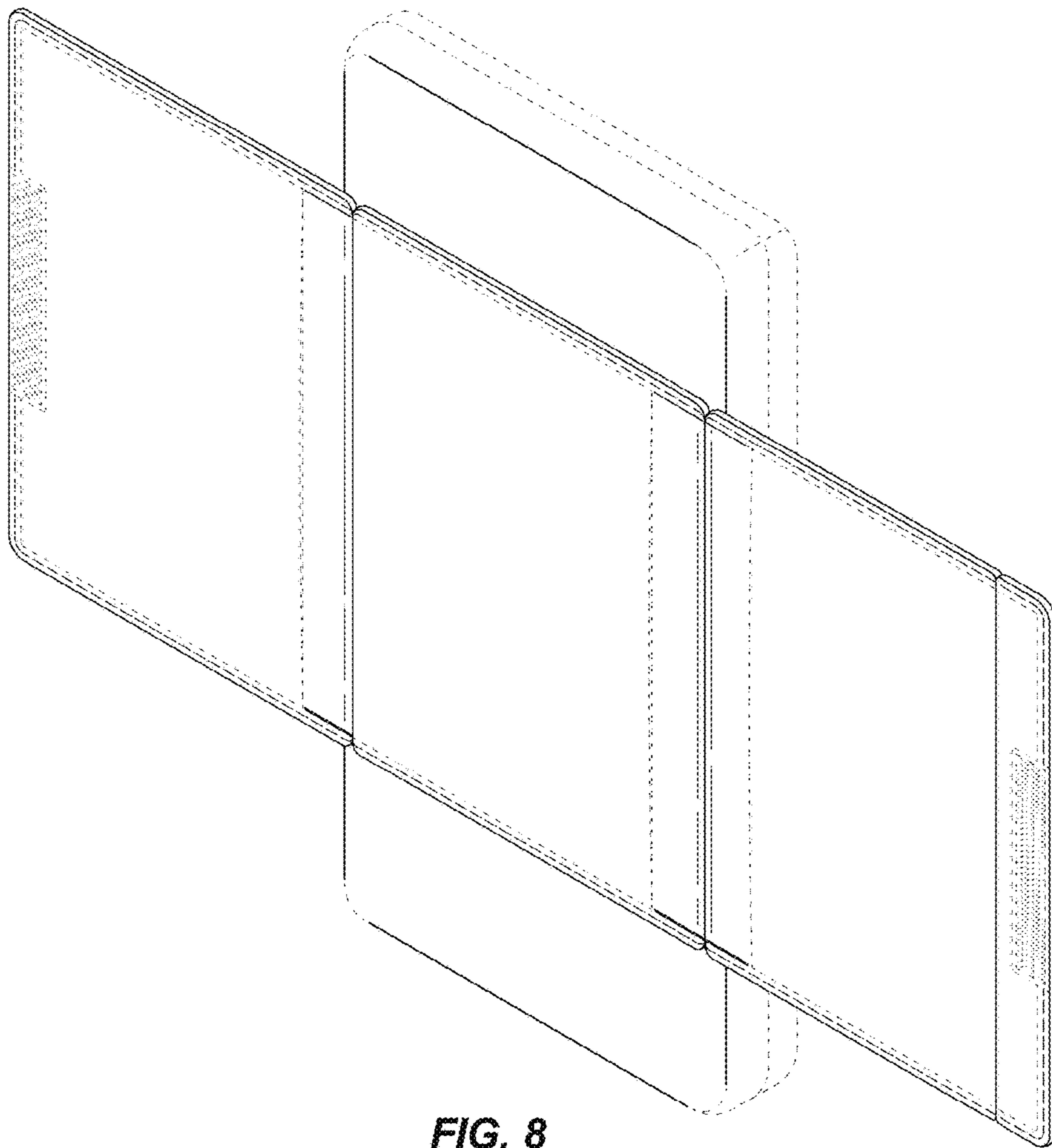


FIG. 8

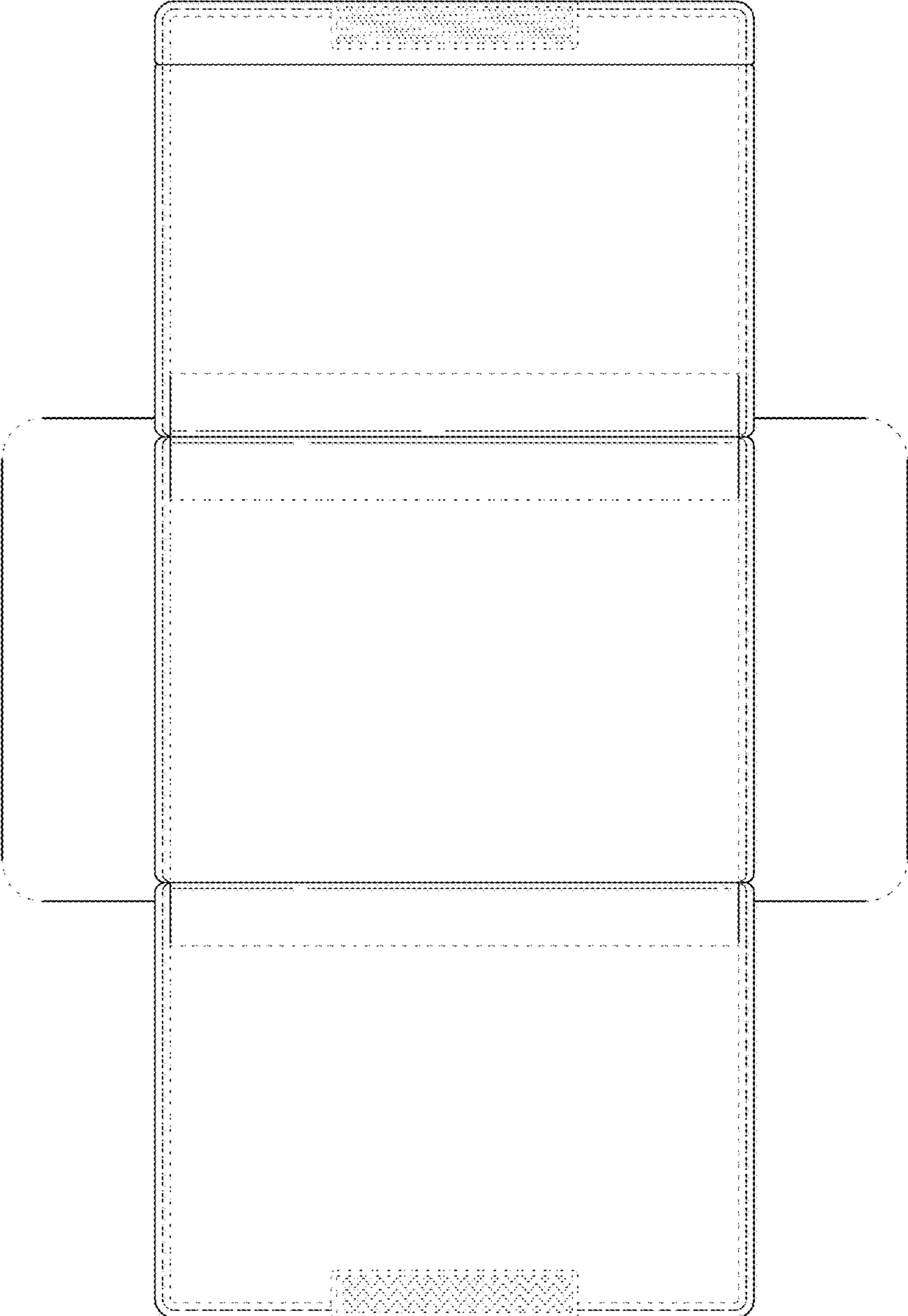


FIG. 9

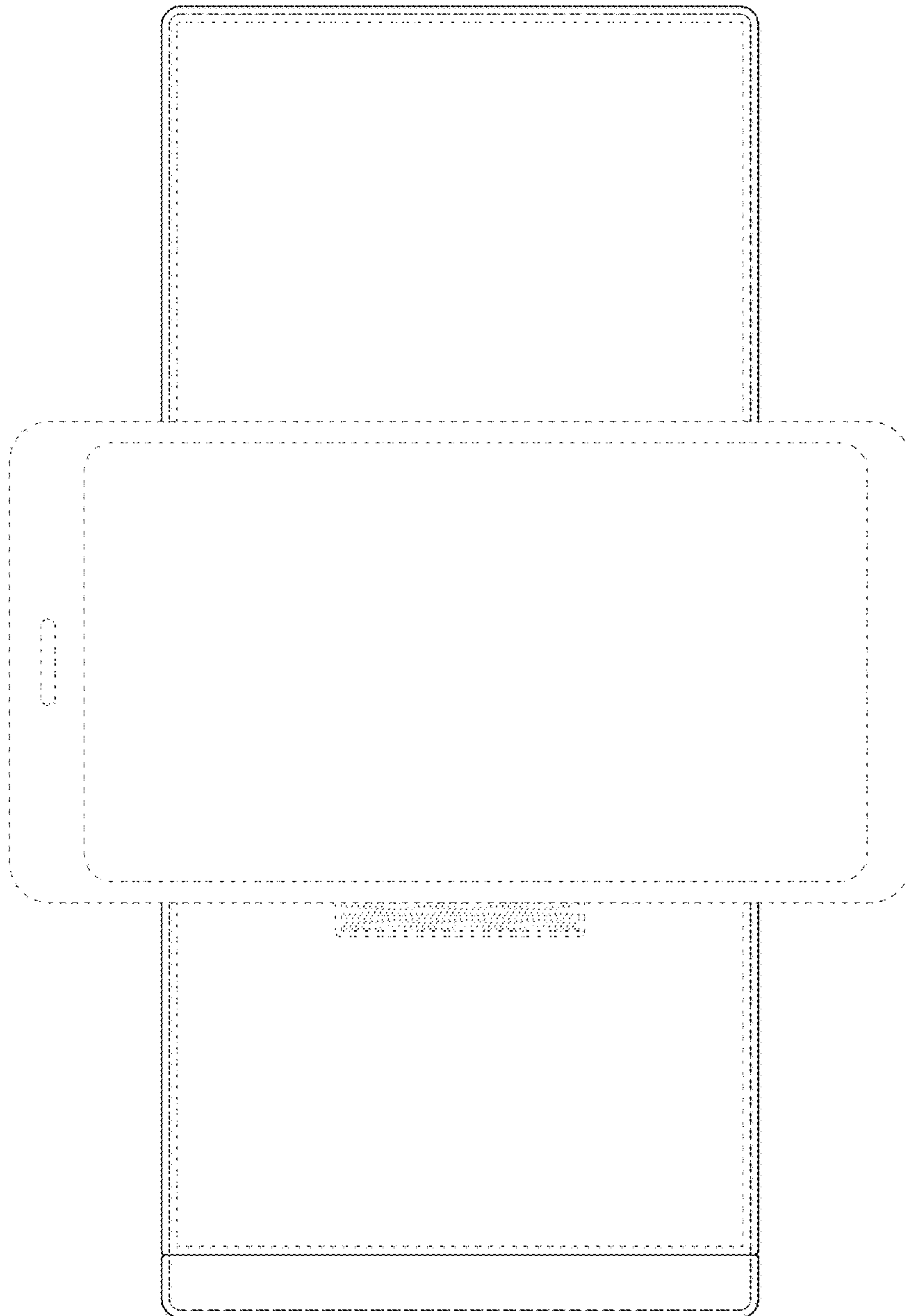


FIG. 10

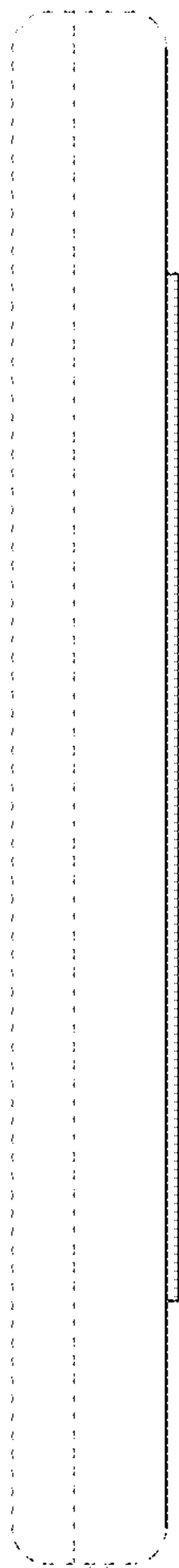


FIG. 11

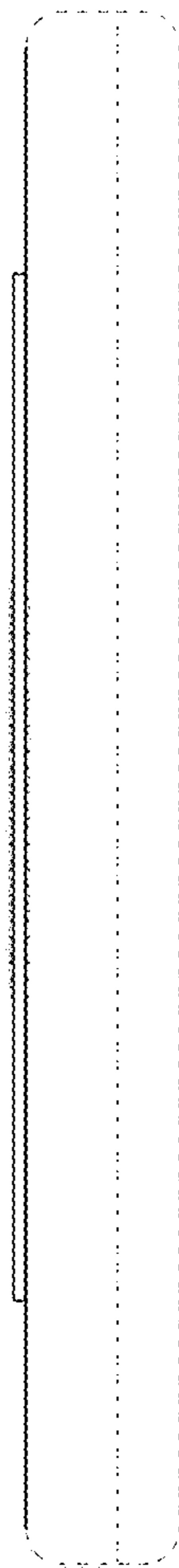


FIG. 12

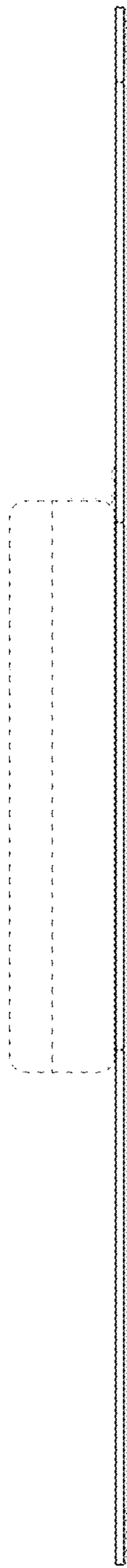


FIG. 13

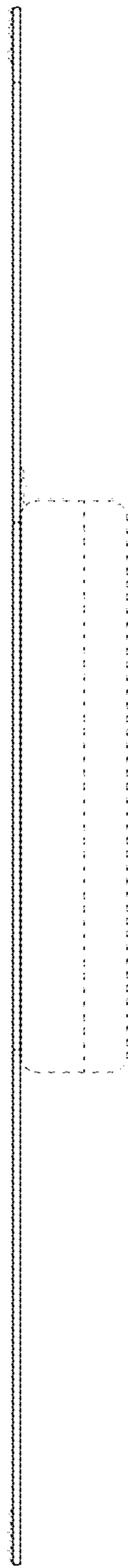


FIG. 14

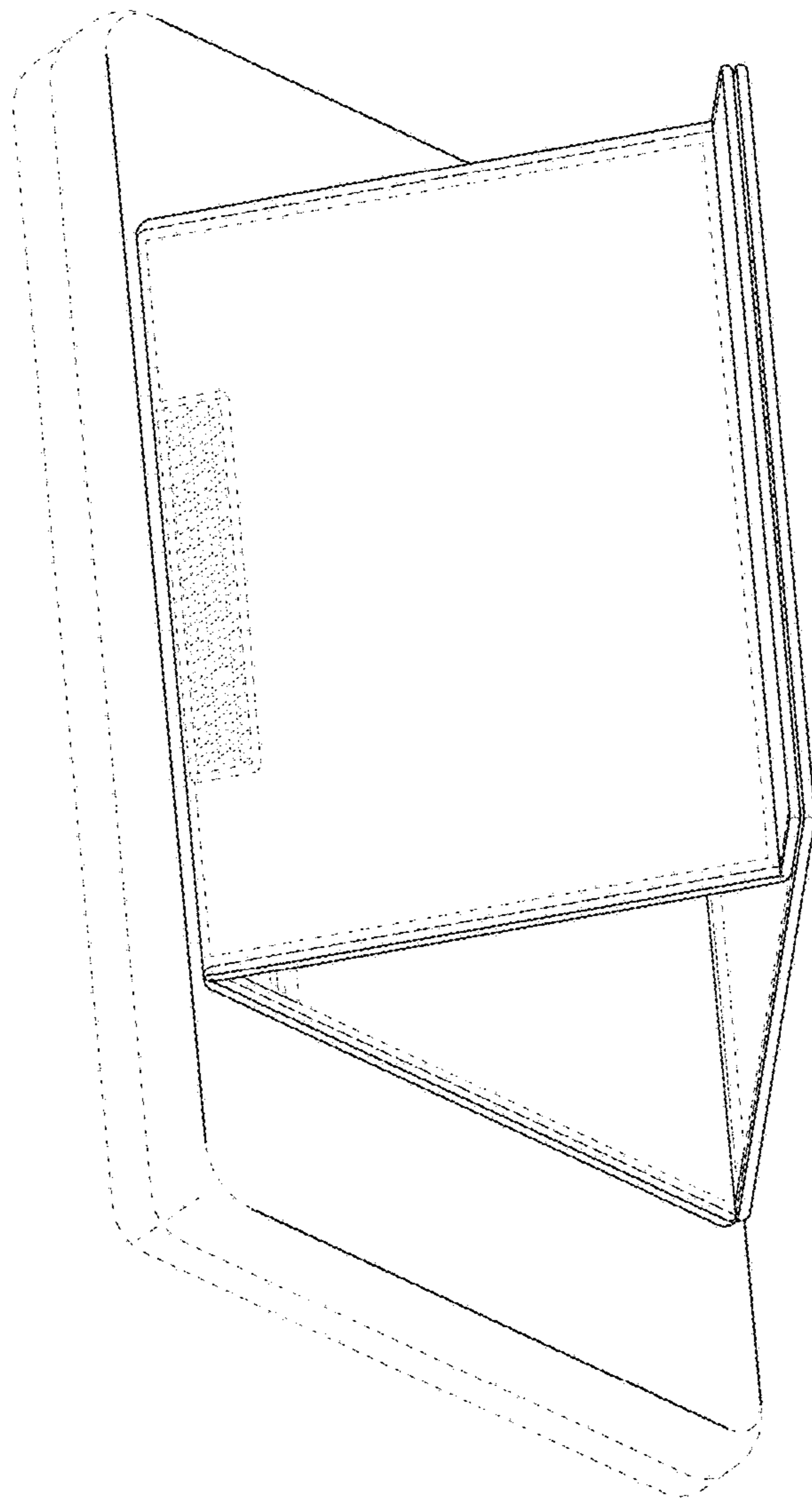


FIG. 15

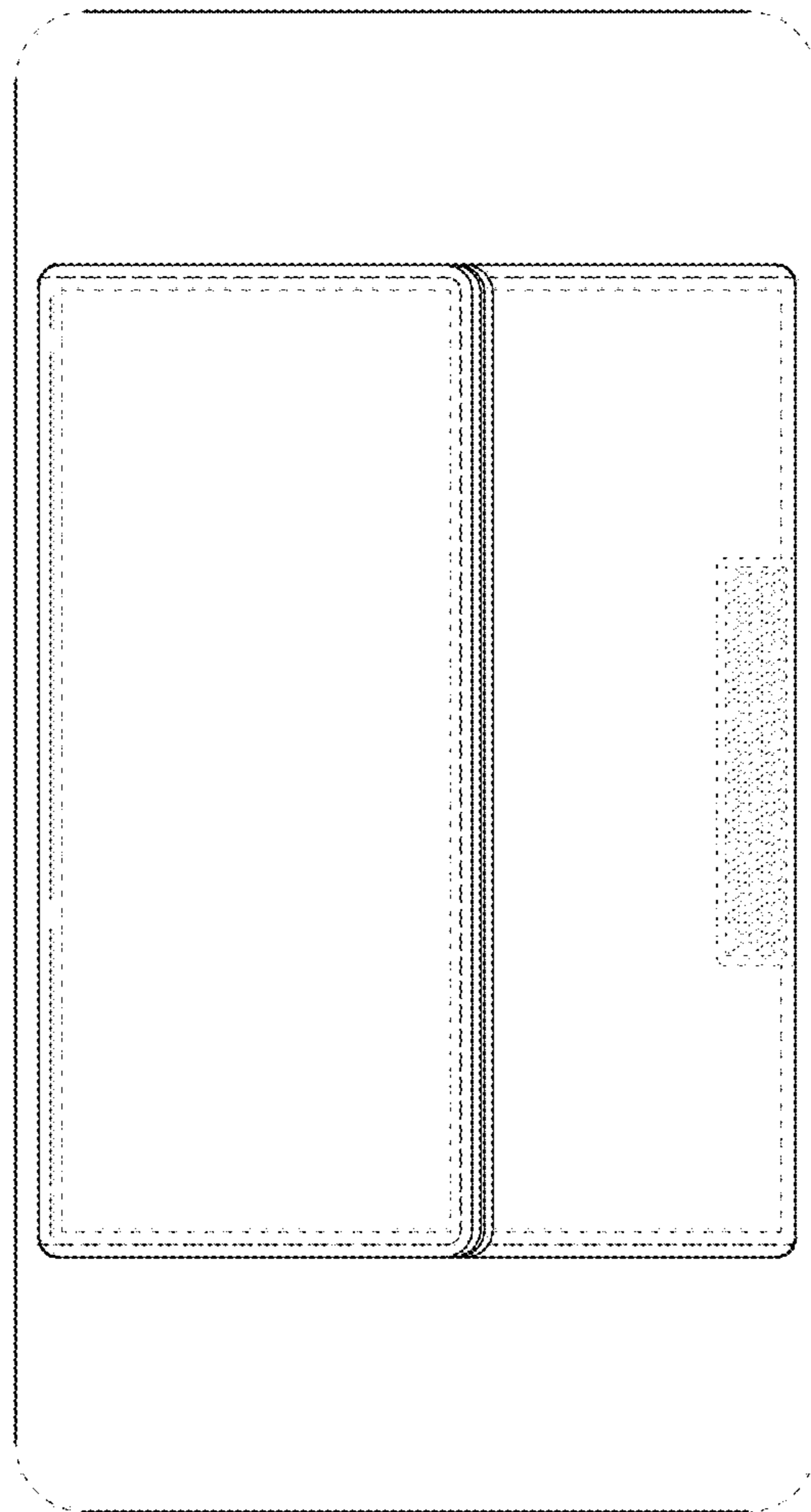


FIG. 16



FIG. 17

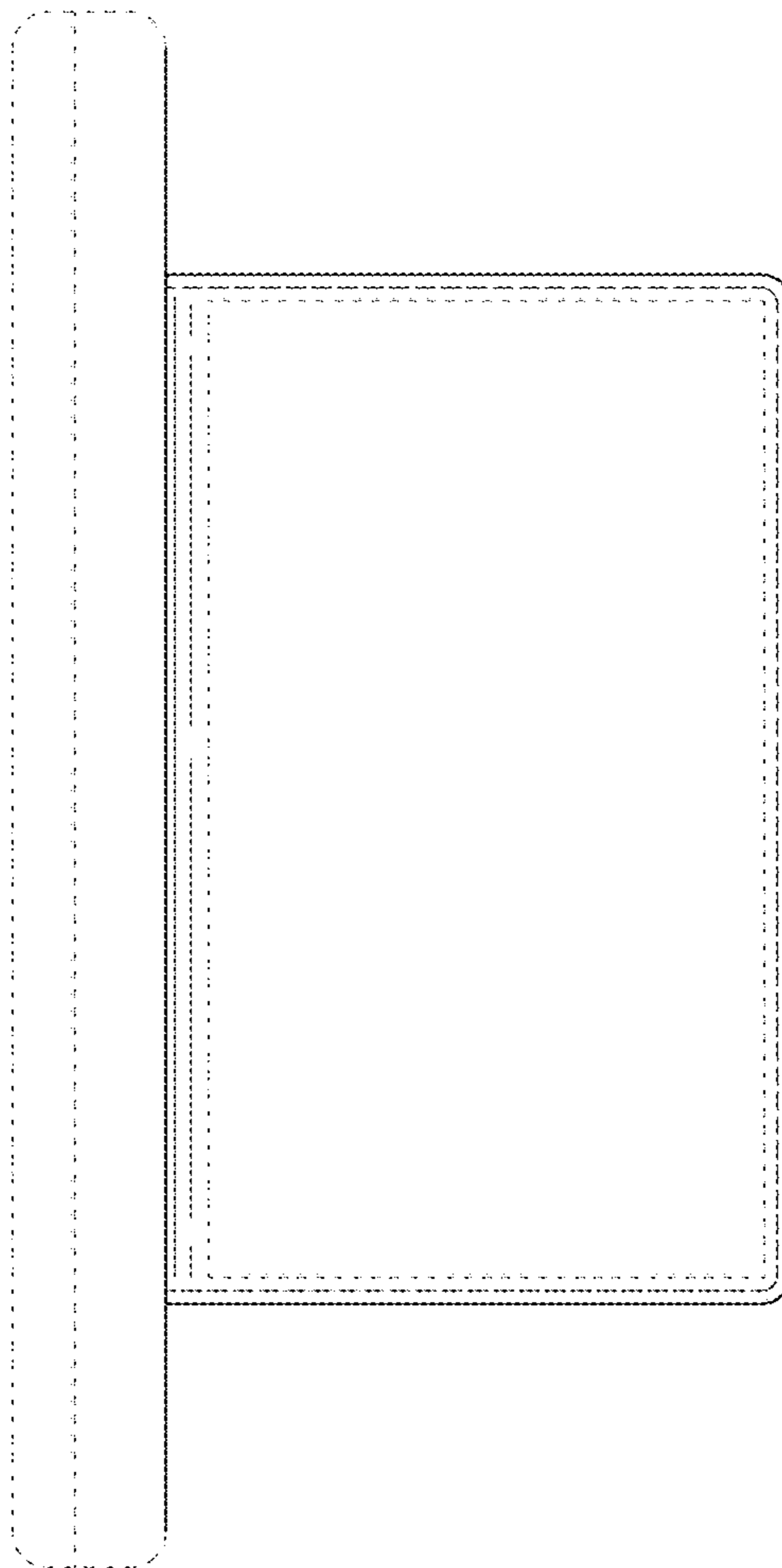


FIG. 18

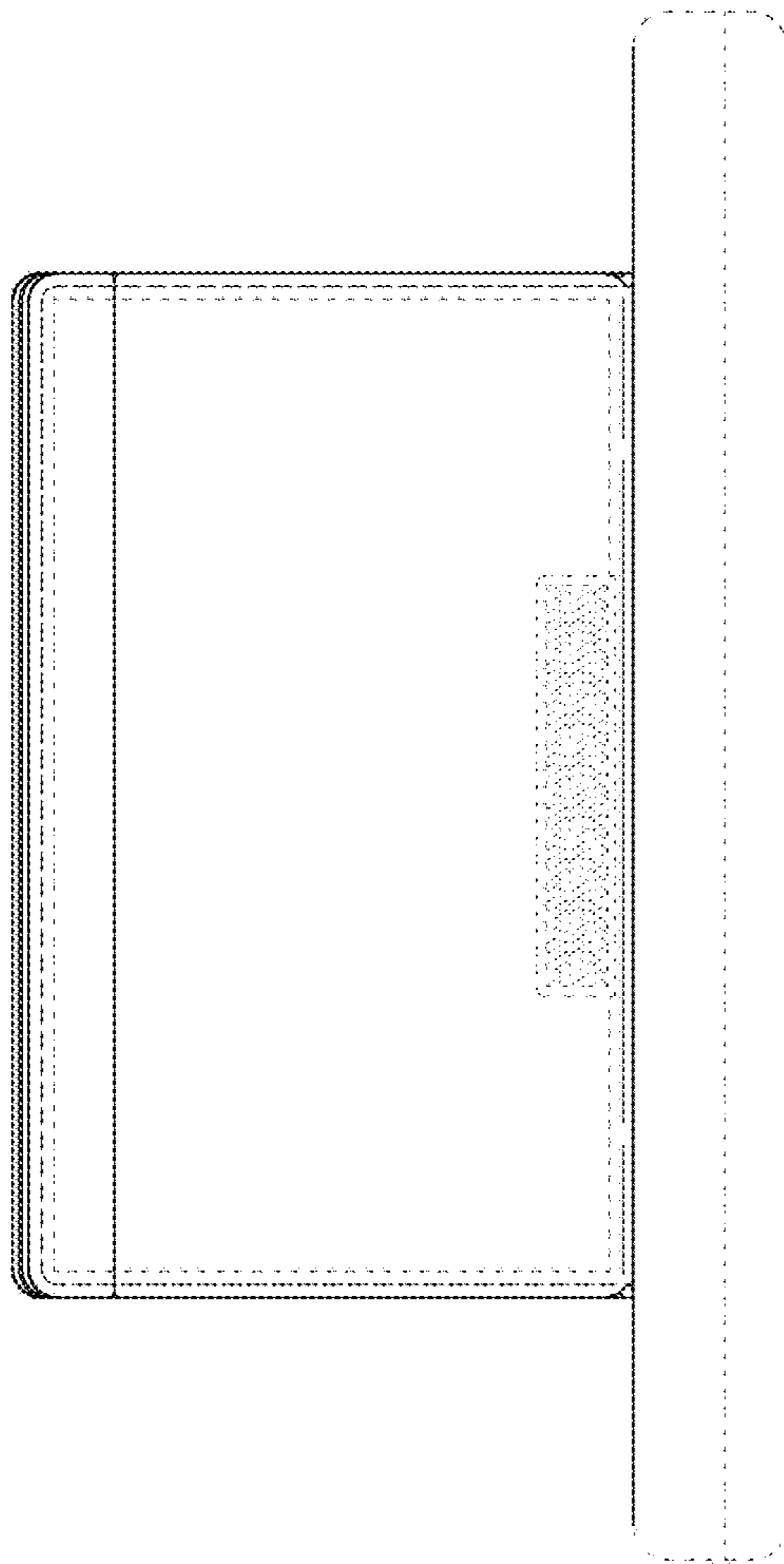


FIG. 19

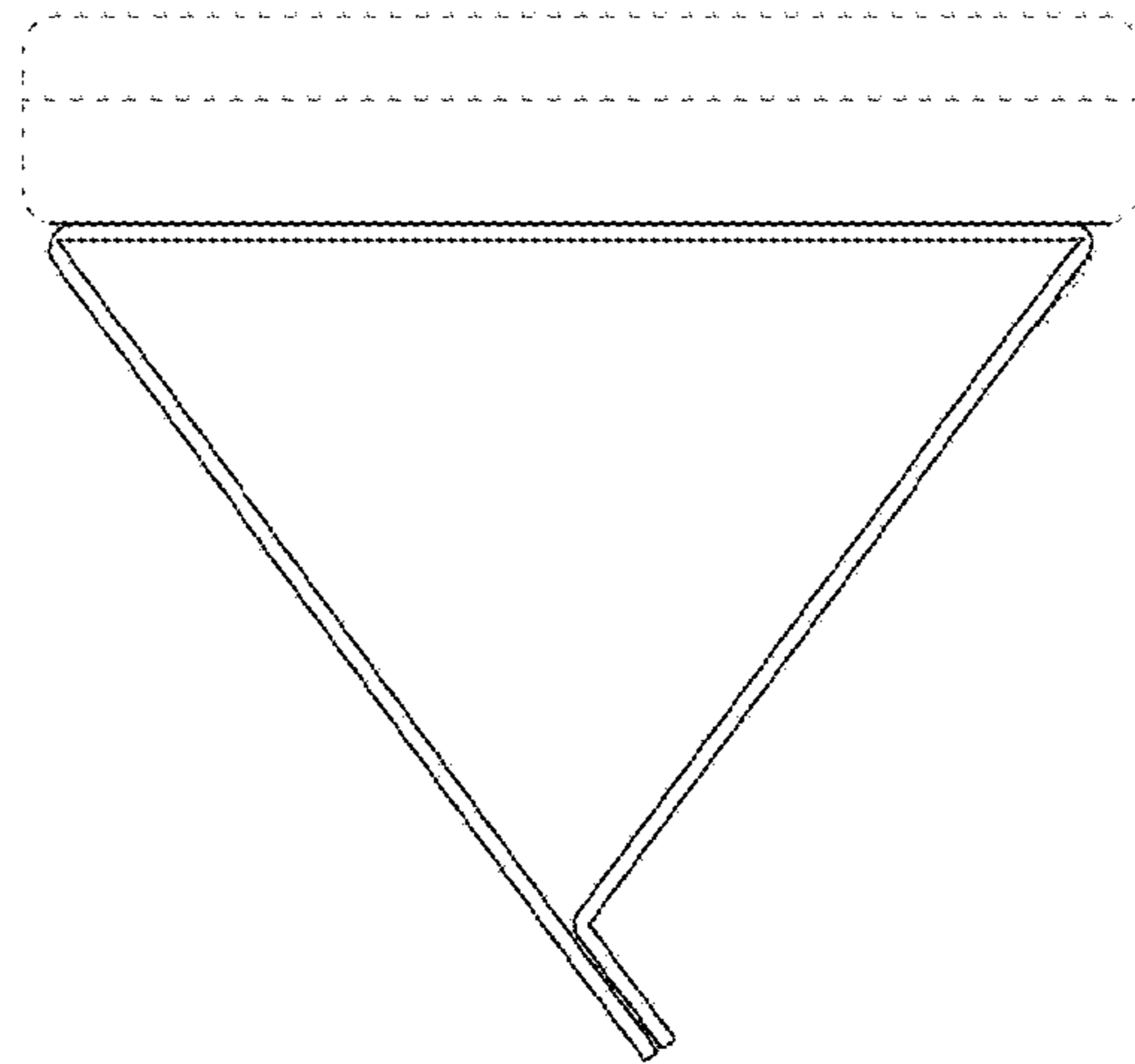


FIG. 20

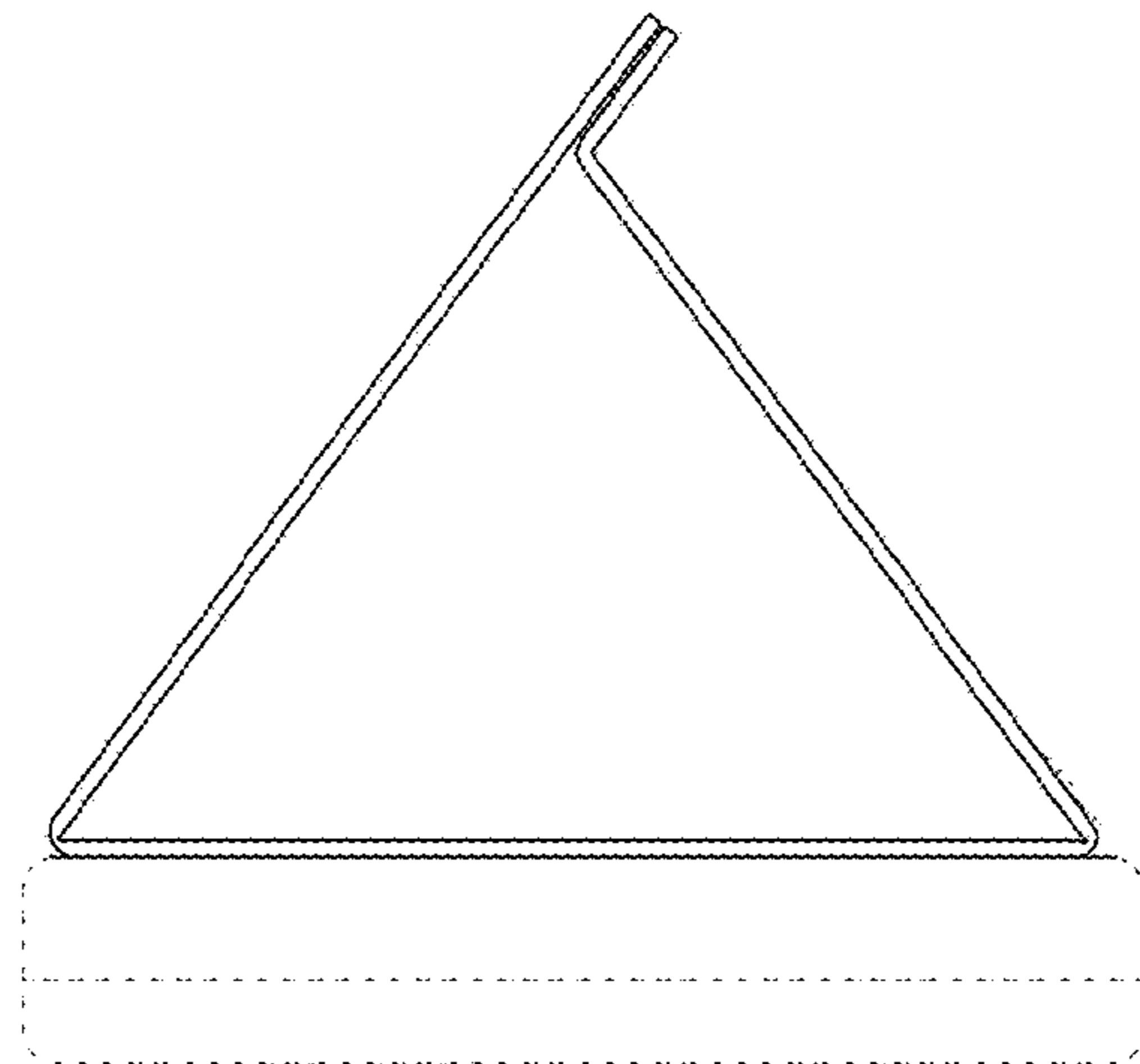


FIG. 21