

US00D862072S

(12) **United States Design Patent**
Dong

(10) **Patent No.:** **US D862,072 S**

(45) **Date of Patent:** **** Oct. 8, 2019**

(54) **HANDBAG**

D609,002 S * 2/2010 Sammons D3/232
D609,003 S * 2/2010 Hay D3/232
D731,788 S * 6/2015 Joo D3/233

(71) Applicant: **Yiyun Dong**, Zhejiang (CN)

* cited by examiner

(72) Inventor: **Yiyun Dong**, Zhejiang (CN)

Primary Examiner — Holly H Baynham

(**) Term: **15 Years**

(74) *Attorney, Agent, or Firm* — Ian C. Barras

(21) Appl. No.: **29/647,814**

(57) **CLAIM**

(22) Filed: **May 16, 2018**

The ornamental design for handbag, as shown and described.

(51) **LOC (12) Cl.** **03-01**

DESCRIPTION

(52) **U.S. Cl.**

USPC **D3/232**

(58) **Field of Classification Search**

USPC D3/232–233, 240–243, 245–246

CPC A45C 1/024; A45C 3/06

See application file for complete search history.

FIG. 1 is a front elevational view thereof;

FIG. 2 is a rear elevational view thereof;

FIG. 3 is a left side elevational view thereof;

FIG. 4 is a right side elevational view thereof;

FIG. 5 is a top plan view thereof;

FIG. 6 is a bottom plan view thereof; and,

FIG. 7 is a perspective view thereof.

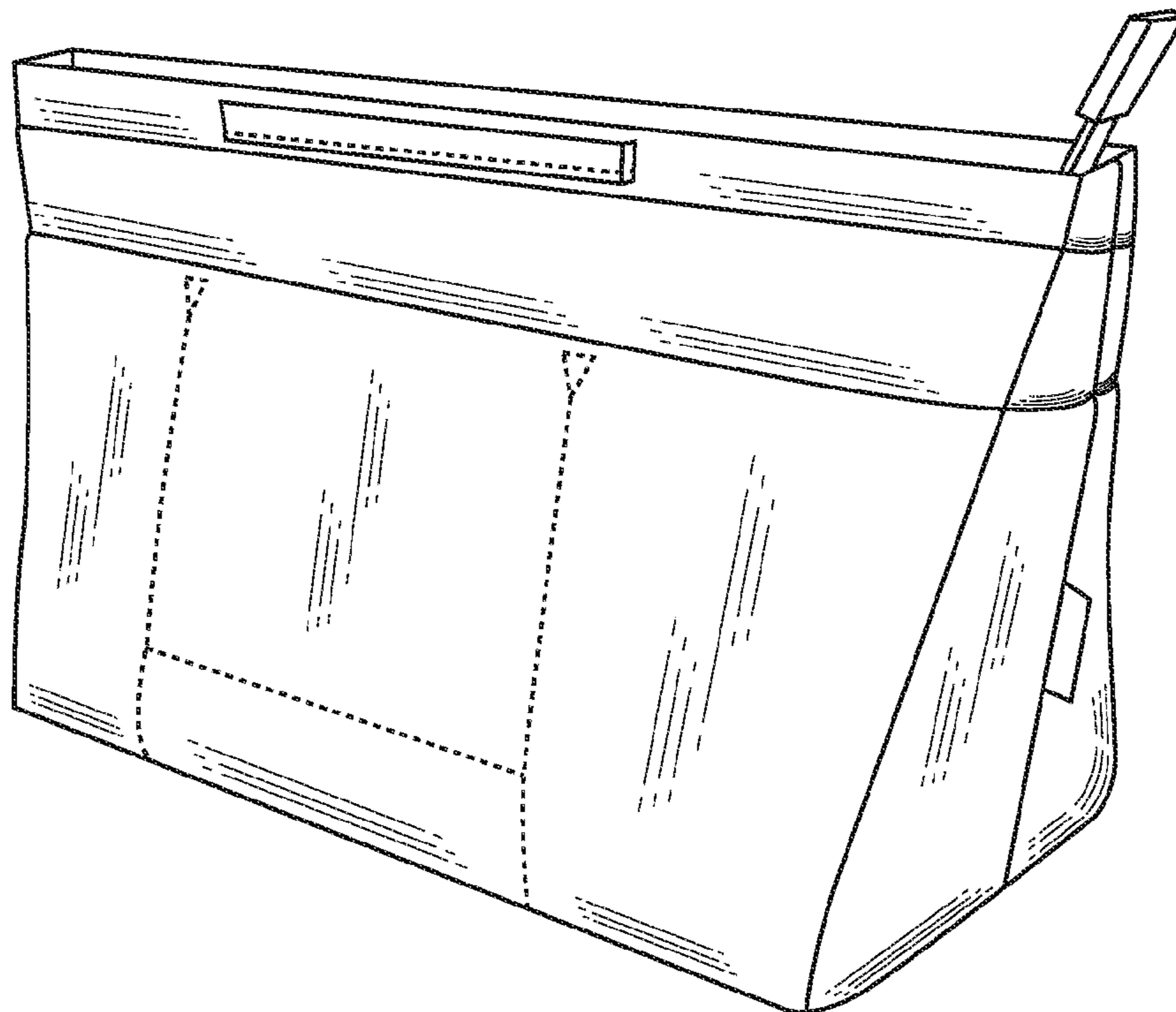
The broken lines represent stitching and form no part of the claimed design.

(56) **References Cited**

U.S. PATENT DOCUMENTS

D608,543 S * 1/2010 Sammons D3/232

1 Claim, 7 Drawing Sheets



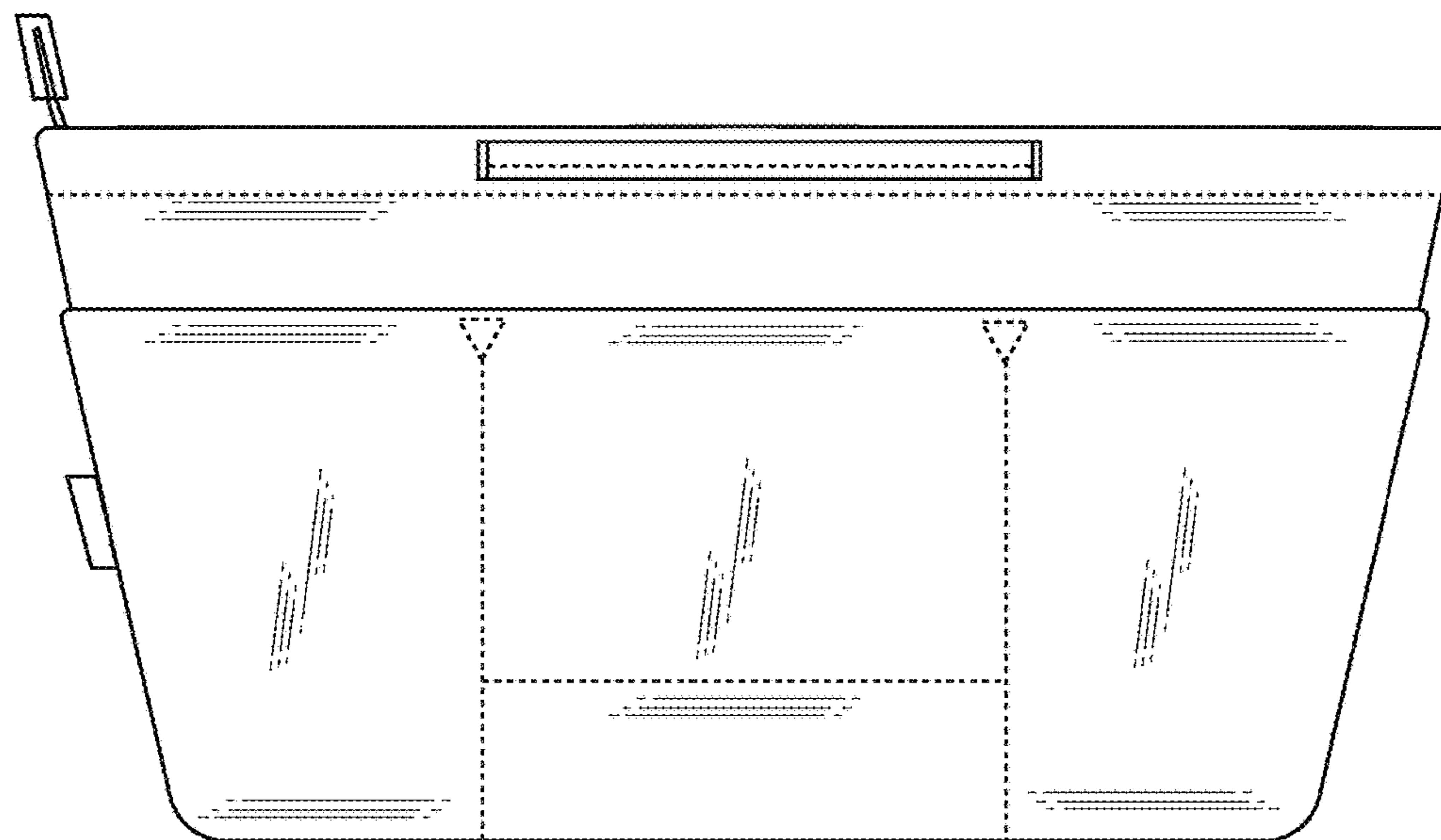


FIG. 1

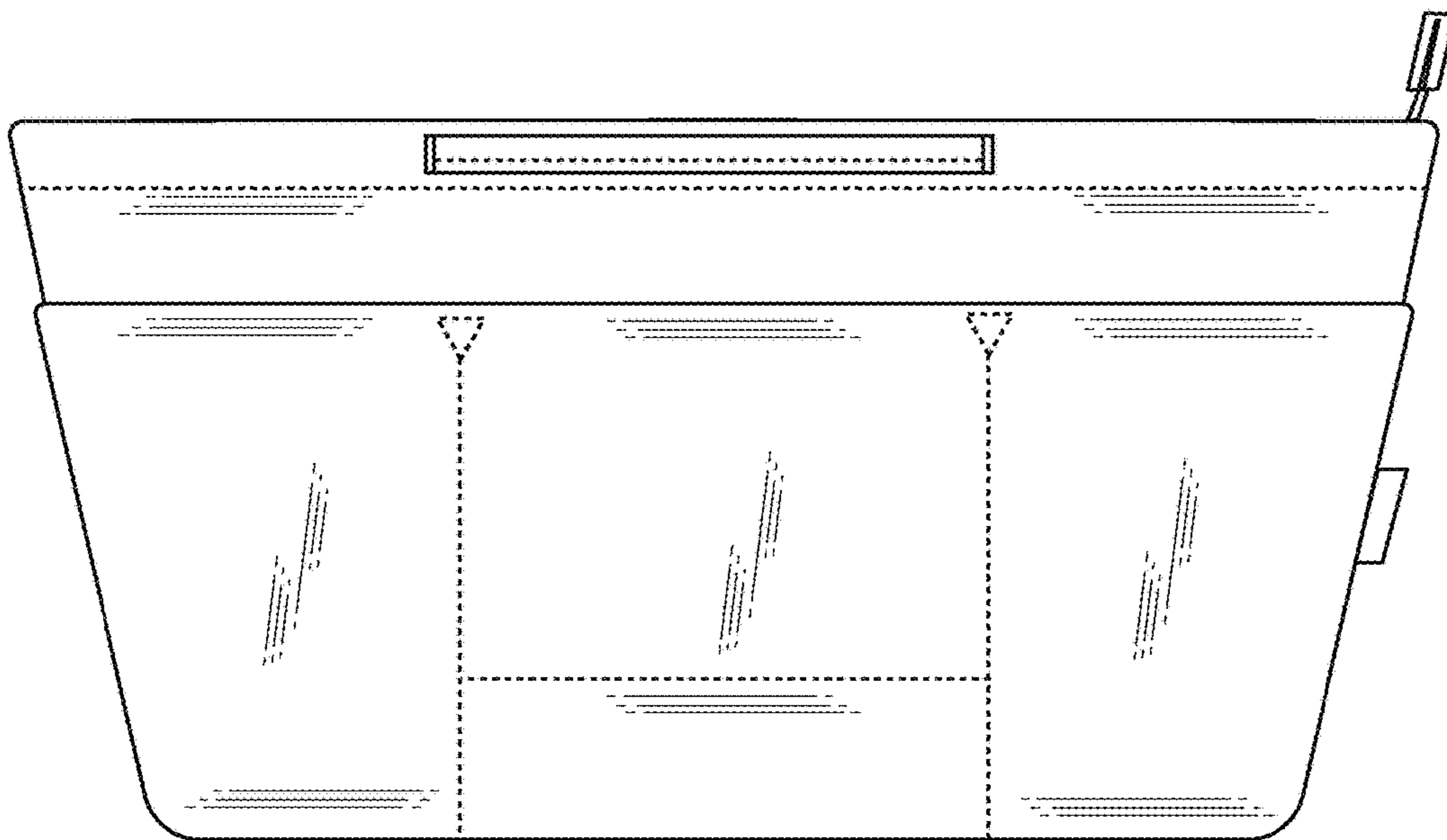


FIG. 2

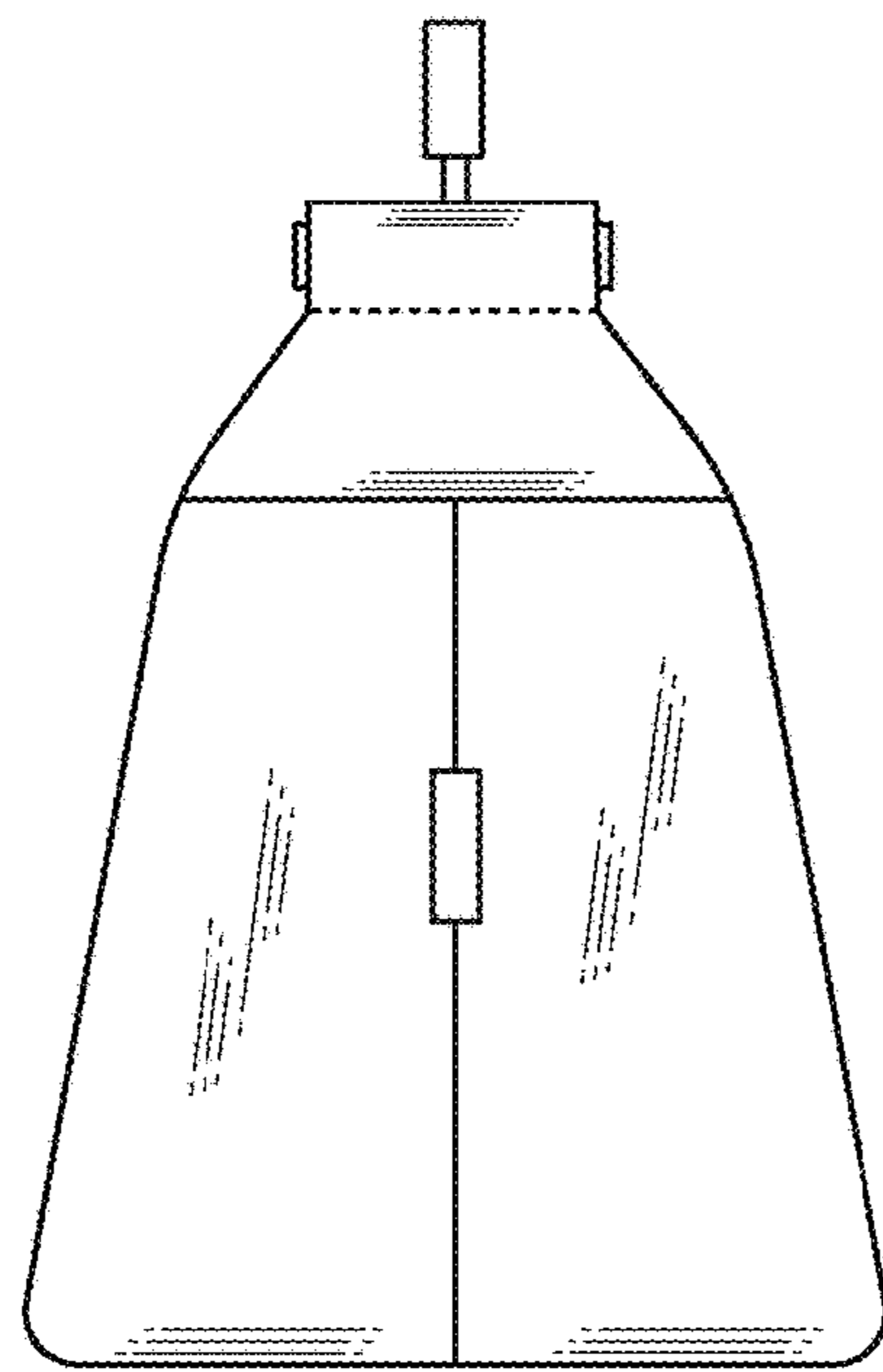


FIG. 3

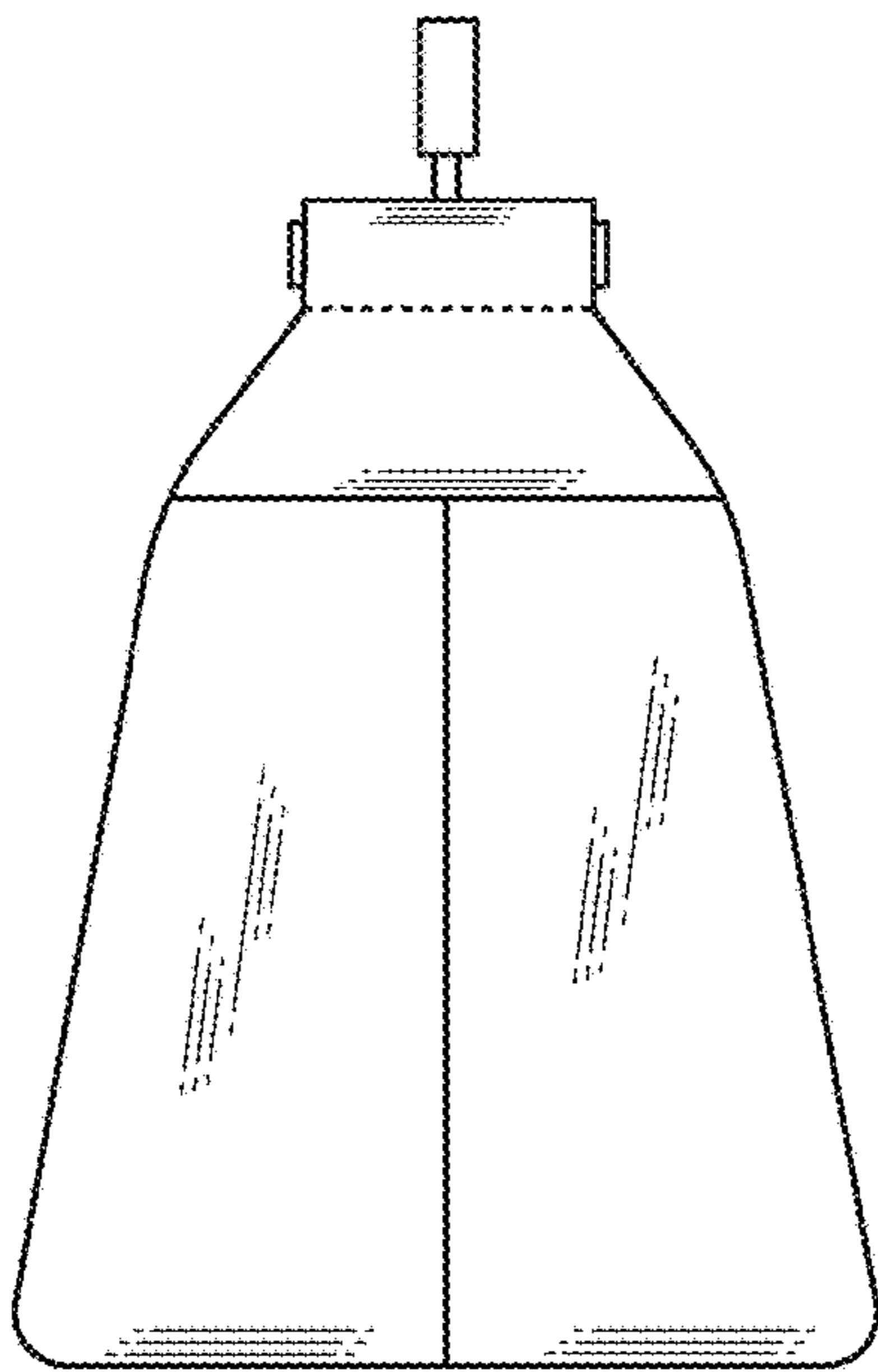


FIG. 4

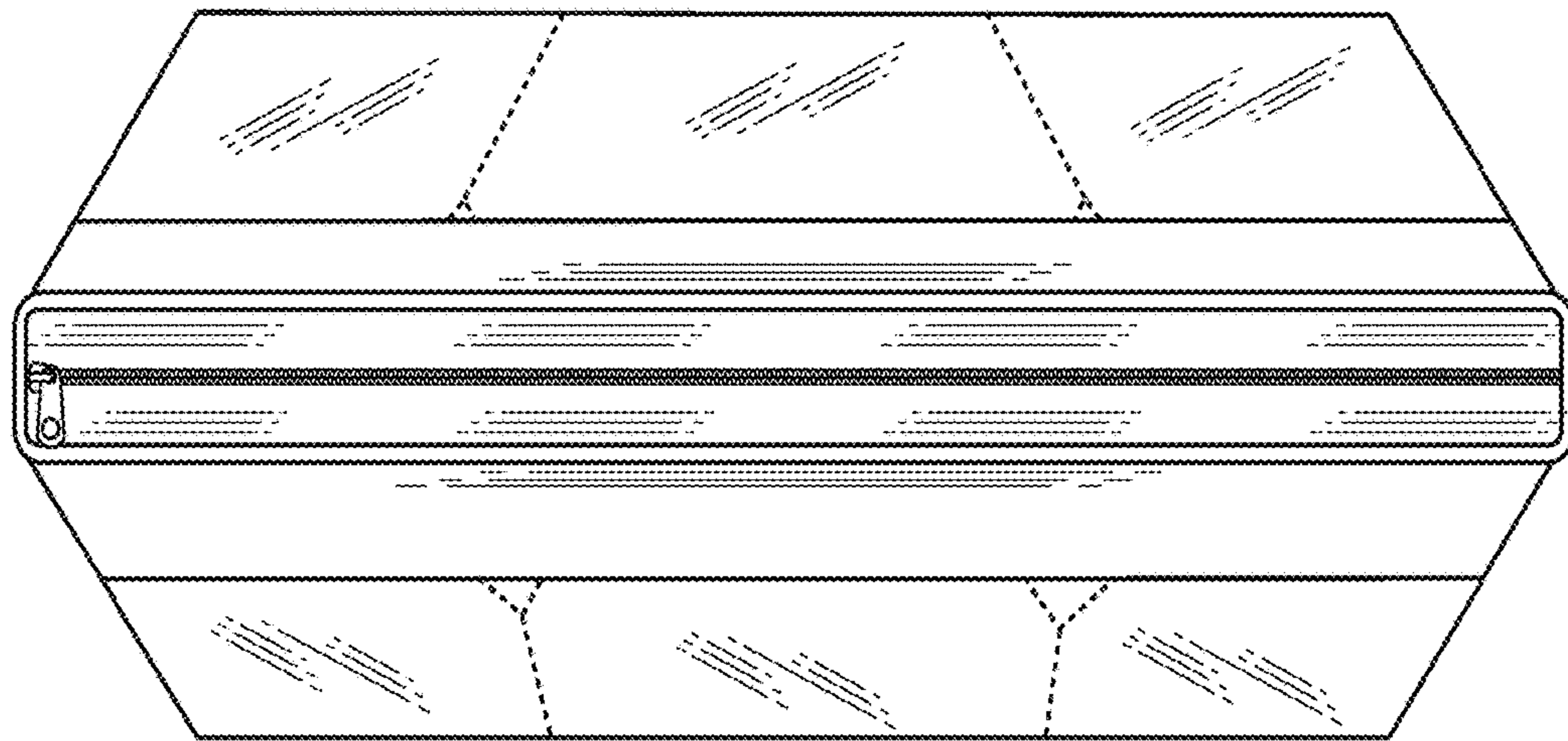


FIG. 5

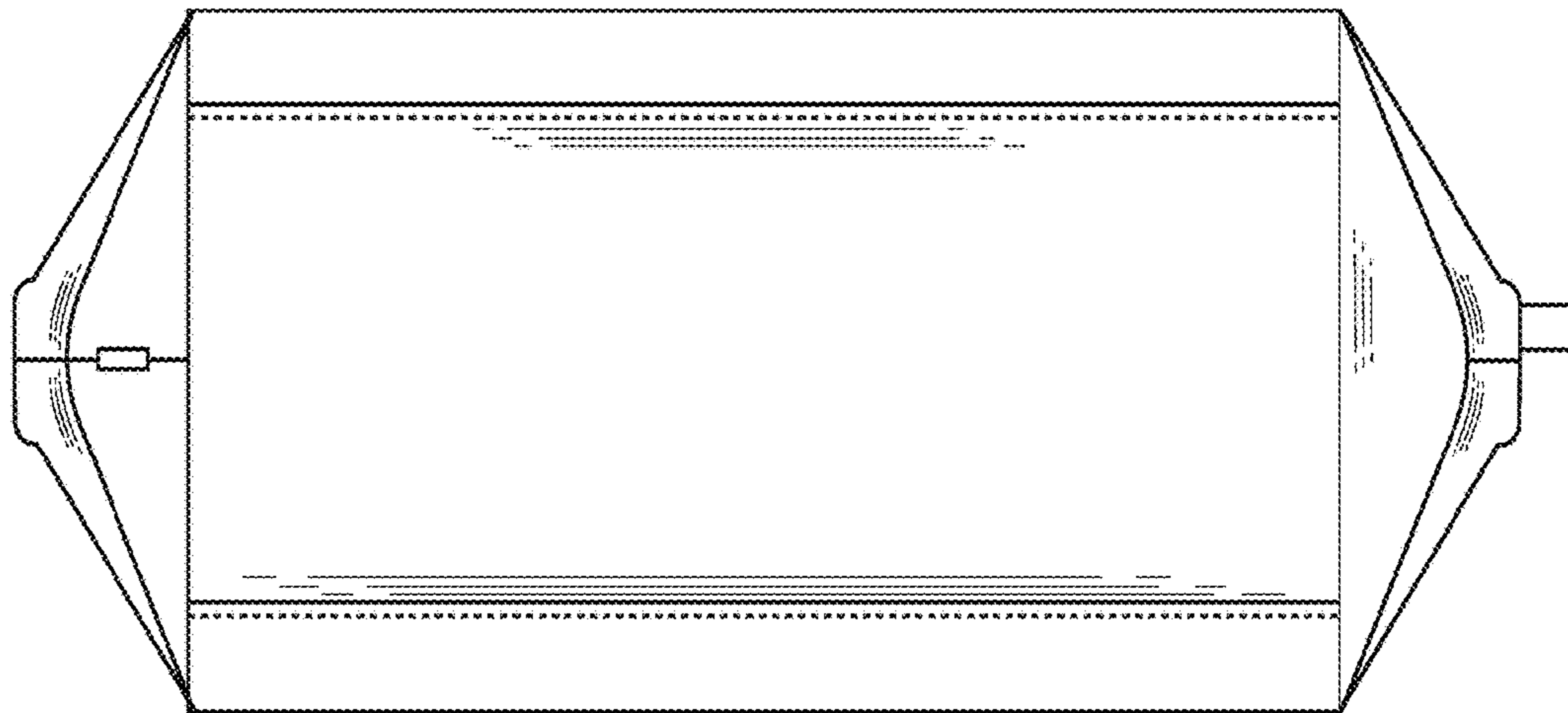


FIG. 6

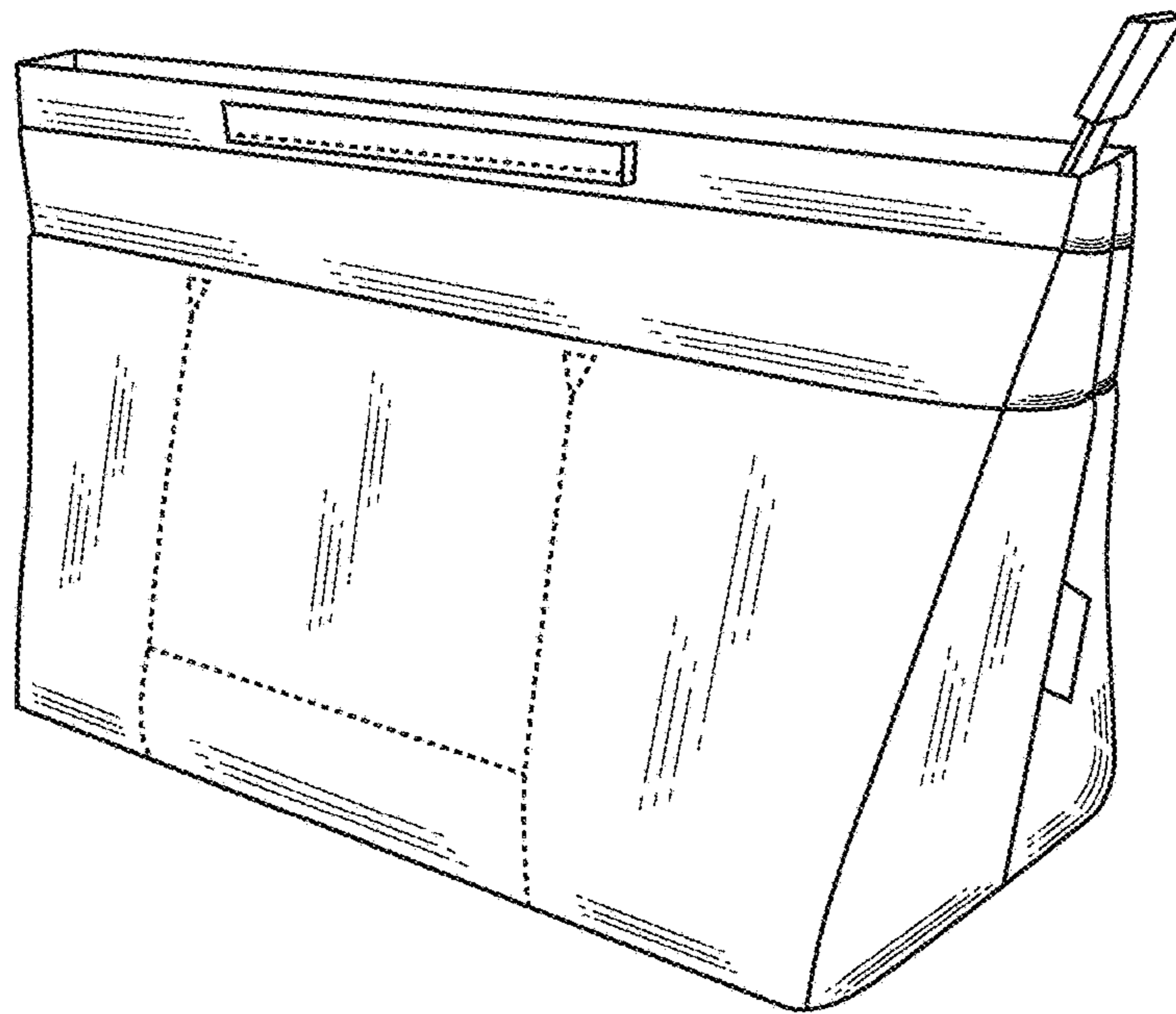


FIG. 7