



US00D862071S

(12) **United States Design Patent**
Winters Giesting et al.

(10) **Patent No.:** **US D862,071 S**
(45) **Date of Patent:** **** Oct. 8, 2019**

(54) **TOTE BAG**

D787,823 S * 5/2017 Nair D3/232
D801,043 S * 10/2017 Lucas D3/246
D834,815 S * 12/2018 Barlier D3/246

(71) Applicant: **The Gem Group, Inc.**, Lawrence, MA
(US)

* cited by examiner

(72) Inventors: **Meredith Winters Giesting**, Brookline,
MA (US); **Richard C. Bellofatto, Jr.**,
Peabody, MA (US)

Primary Examiner — Holly H Baynham
(74) *Attorney, Agent, or Firm* — Loginov & Associates,
PLLC; William A. Loginov

(73) Assignee: **The Gem Group, Inc.**, Lawrence, MA
(US)

(57) **CLAIM**

(**) Term: **15 Years**

The ornamental design for a tote bag, substantially as
shown.

(21) Appl. No.: **29/645,069**

(22) Filed: **Apr. 23, 2018**

DESCRIPTION

(51) **LOC (12) Cl.** **03-01**

(52) **U.S. Cl.**
USPC **D3/232; D3/246**

(58) **Field of Classification Search**
USPC D3/232–233, 240–243, 245–246
CPC A45C 1/024; A45C 3/06
See application file for complete search history.

FIG. 1 is a perspective view of a tote bag;
FIG. 2 is a front view of the tote bag;
FIG. 3 is a rear view of the tote bag;
FIG. 4 is a right side view of the tote bag;
FIG. 5 is a left side view of the tote bag;
FIG. 6 is a top view of the tote bag; and,
FIG. 7 is a bottom view of the tote bag.

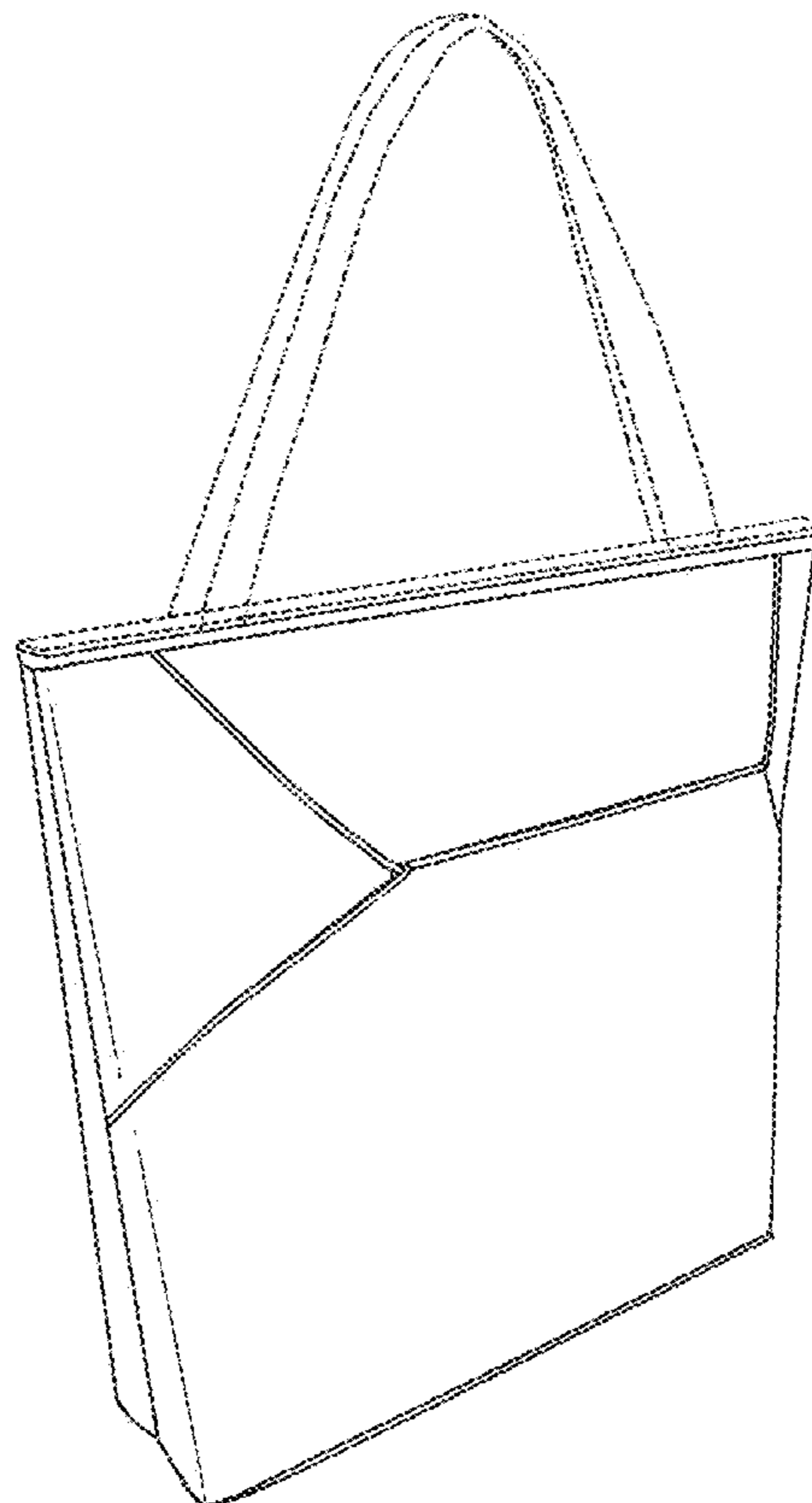
The broken line elements in all views are for illustrative and
environmental purposes only and form no part of the
claimed design.

(56) **References Cited**

U.S. PATENT DOCUMENTS

D246,940 S * 1/1978 Sabol D3/246

1 Claim, 3 Drawing Sheets



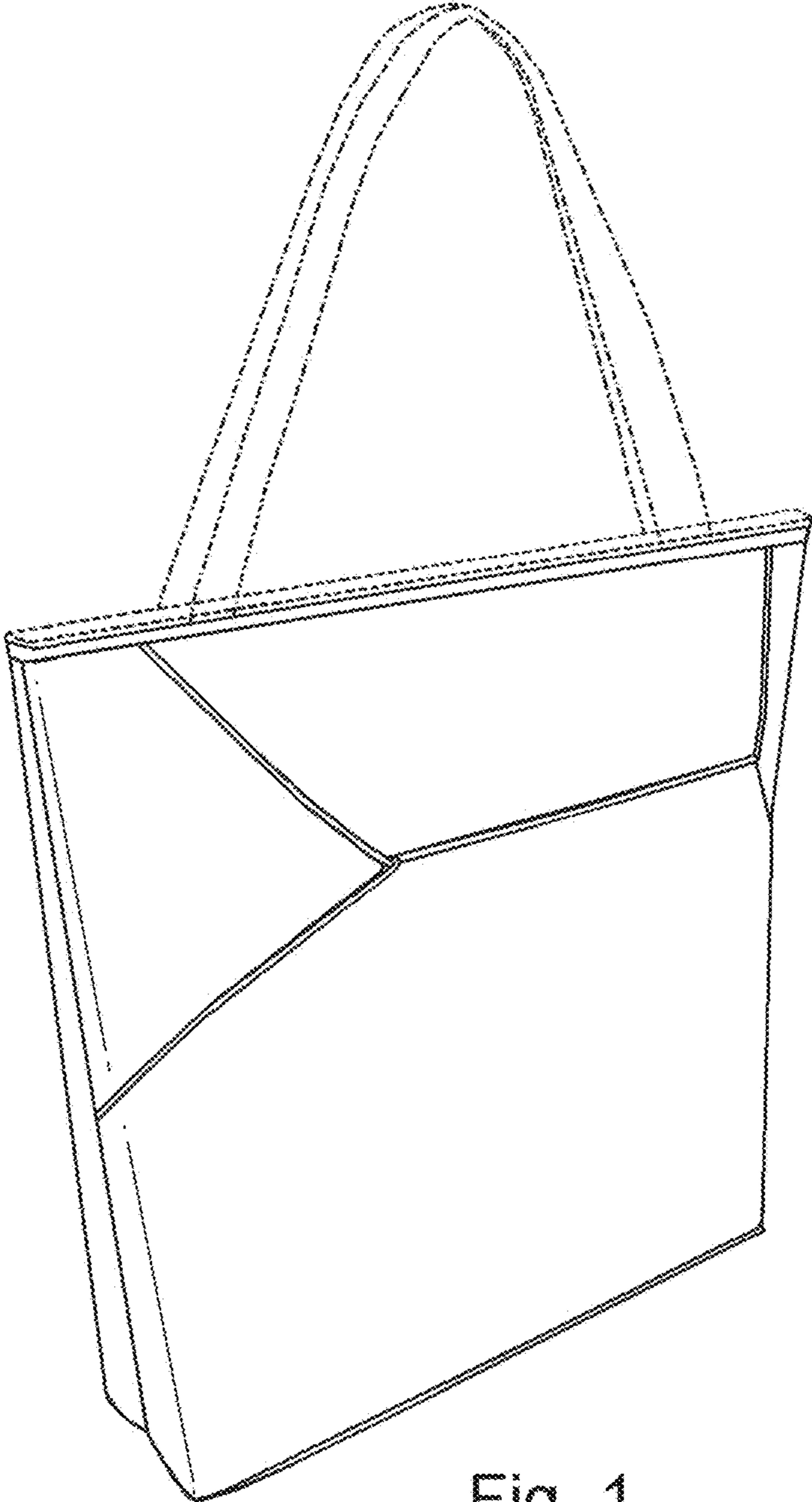


Fig. 1

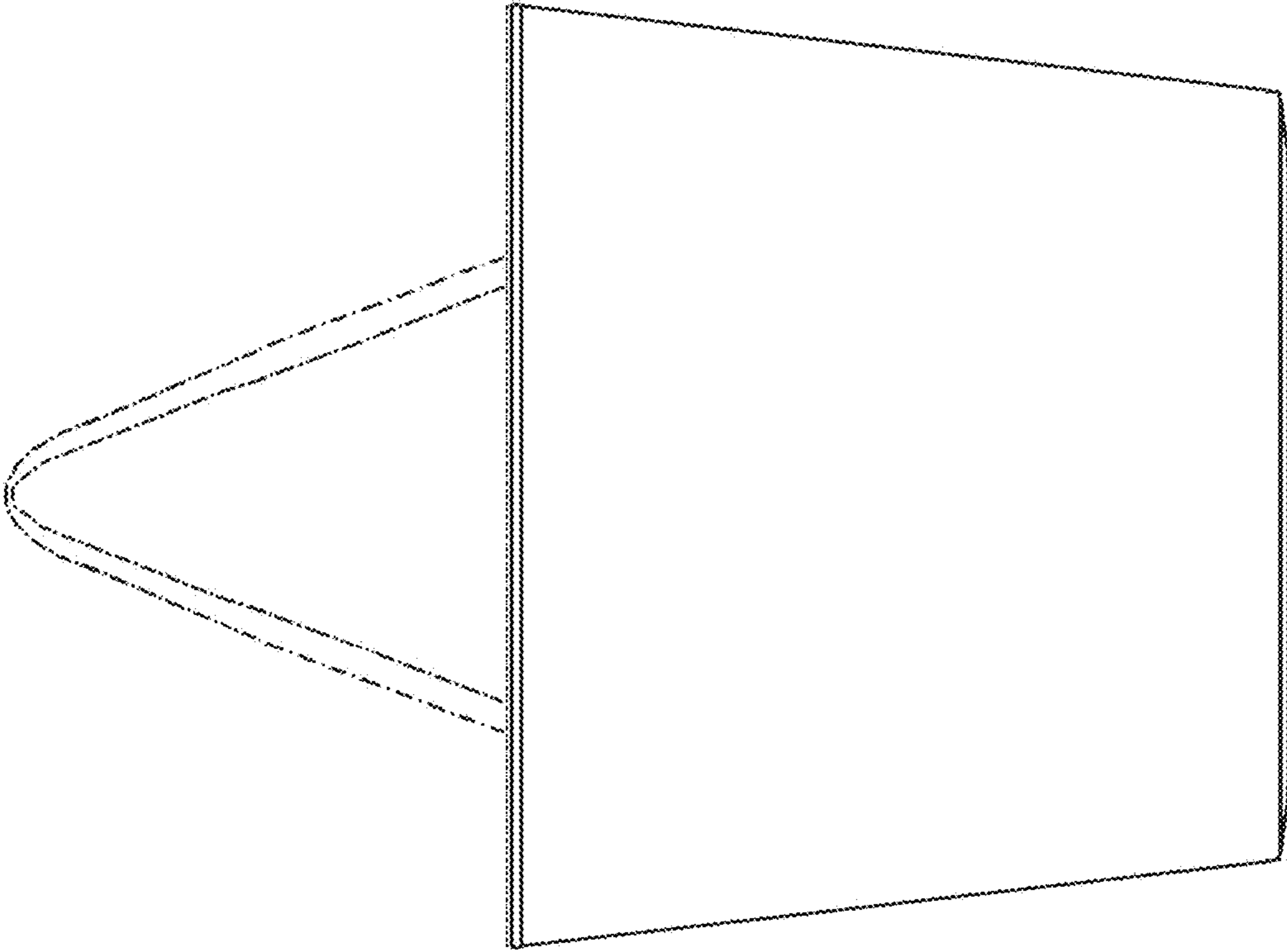


Fig. 3

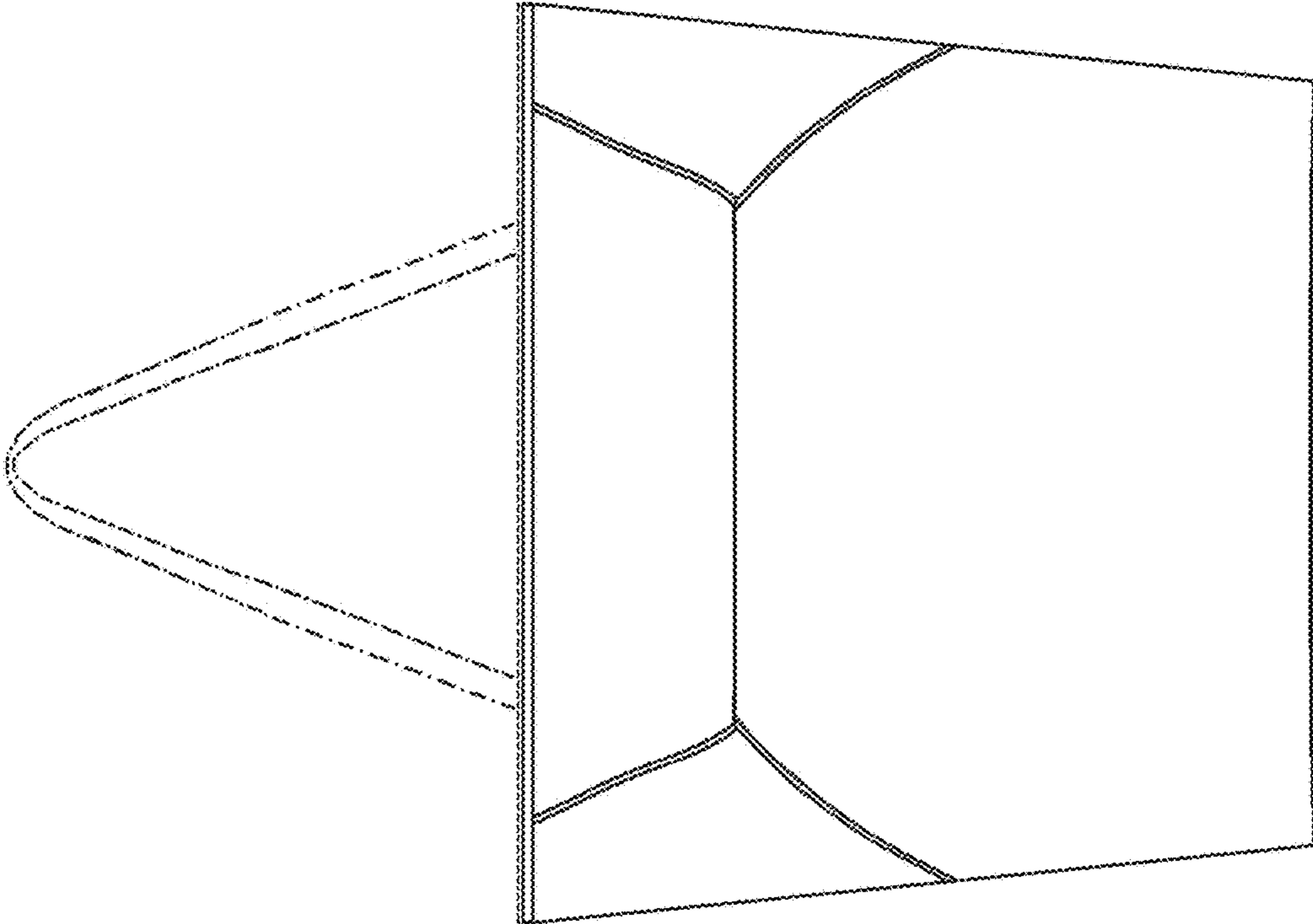


Fig. 2

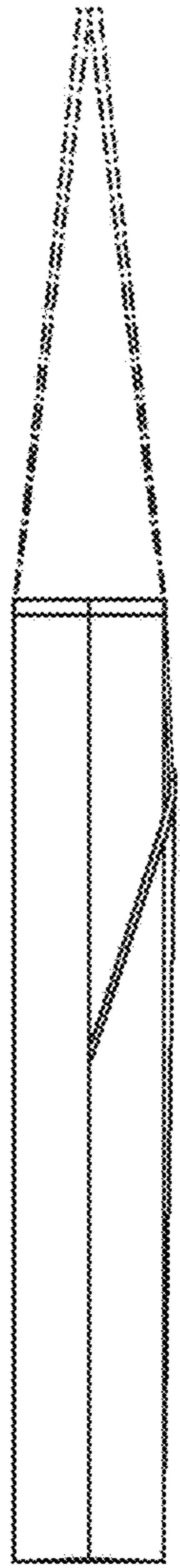


Fig. 4

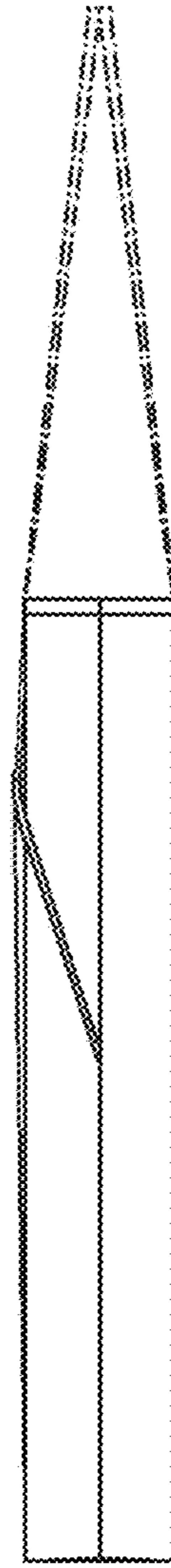


Fig. 5

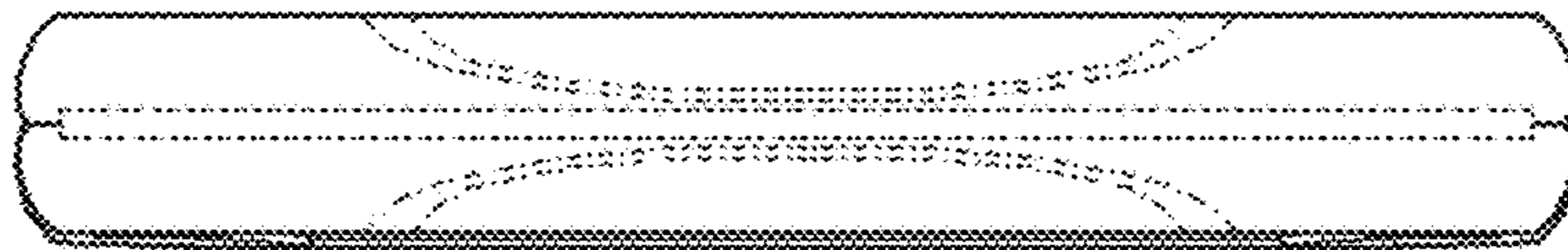


Fig. 6



Fig. 7