

US00D862066S

(12) **United States Design Patent**
Ormsbee et al.

(10) **Patent No.:** **US D862,066 S**

(45) **Date of Patent:** **** Oct. 8, 2019**

(54) **KEY HOLDER**

D401,054 S * 11/1998 Hartmann D3/212
D672,136 S * 12/2012 Martin D3/212
D794,320 S * 8/2017 Downes D3/207

(71) Applicant: **NITE IZE, INC.**, Boulder, CO (US)

* cited by examiner

(72) Inventors: **Bowden Ormsbee**, Longmont, CO (US); **Leo Lesperance**, Erie, CO (US); **Dale Karacostas**, Boulder, CO (US)

Primary Examiner — Derrick E Holland

Assistant Examiner — Andrew Kerr

(73) Assignee: **Nite Ize, Inc.**, Boulder, CO (US)

(74) *Attorney, Agent, or Firm* — Haynes and Boone, LLC

(**) Term: **15 Years**

(57) **CLAIM**

(21) Appl. No.: **29/628,634**

The ornamental design for a key holder, as show and described.

(22) Filed: **Dec. 6, 2017**

(51) **LOC (12) Cl.** **03-01**

(52) **U.S. Cl.**
USPC **D3/207**

DESCRIPTION

(58) **Field of Classification Search**
USPC D8/394, 395, 396, 382, 72, 354, 356,
D8/355, 73, 371, 373; 248/68.1, 74.3,
248/62; 285/420; D3/207
CPC . F16L 23/08; F16L 3/085; F16L 3/221; F16L
3/137; F16L 3/08; E21F 17/02; Y10S
248/913; A44B 21/00
See application file for complete search history.

FIG. 1 shows a right-front perspective view of a key holder, showing our new design;
FIG. 2 shows a left-front perspective view of the key holder of FIG. 1;
FIG. 3 shows a left-rear perspective view of the key holder of FIG. 1;
FIG. 4 shows a right-rear perspective view of the key holder of FIG. 1;
FIG. 5 shows a left-rear perspective view of the key holder without the magnetic plate of FIG. 1;
FIG. 6 shows a right side cross sectional view taken along line 6-6 in FIG. 5;
FIG. 7 shows a left side cross sectional view taken along line 7-7 in FIG. 5;
FIG. 8 shows the front view of the key holder of FIG. 1;
FIG. 9 shows rear view of the key holder of FIG. 1;
FIG. 10 shows right side view of the key holder of FIG. 1;
FIG. 11 shows a left side view of the key holder of FIG. 1;
FIG. 12 shows a top view of the key holder of FIG. 1; and,
FIG. 13 shows a bottom view of the key holder of FIG. 1.
The dotted lines shown in FIG. 5 represent site line designations and form no part of the claimed design.

(56) **References Cited**

U.S. PATENT DOCUMENTS

1,715,348 A * 6/1929 Barbara A45C 11/329
150/900
1,924,134 A * 8/1933 Segal A45C 11/328
206/37
2,912,030 A * 11/1959 Stiller A45C 11/329
206/37.1
3,119,429 A * 1/1964 Stiller A45C 11/329
150/900
3,421,349 A * 1/1969 Clair, Jr. A45C 11/328
70/414
4,576,839 A * 3/1986 Parren A45C 11/328
206/87
D336,611 S * 6/1993 Anderson D3/203.2

1 Claim, 7 Drawing Sheets

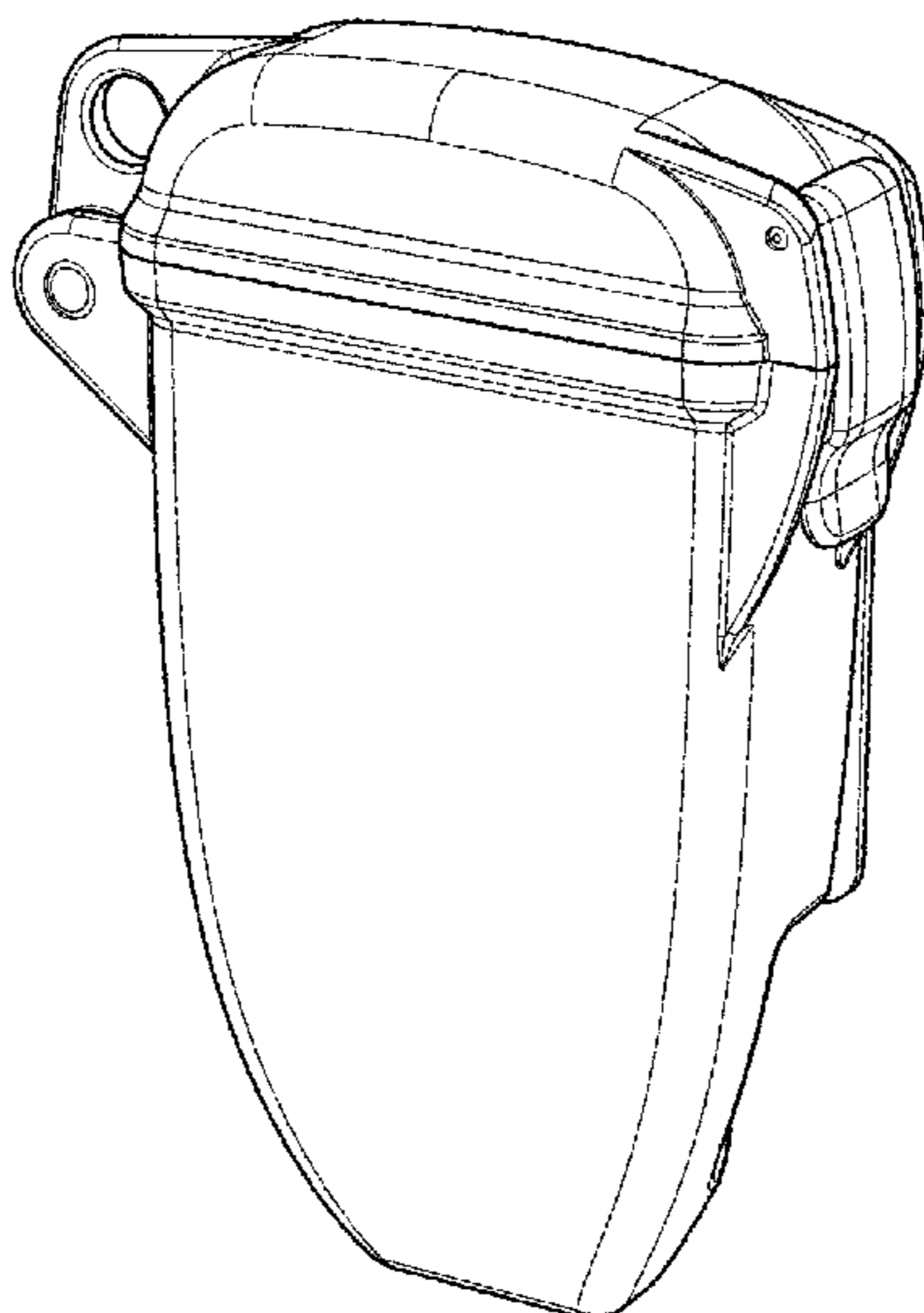


FIG. 1

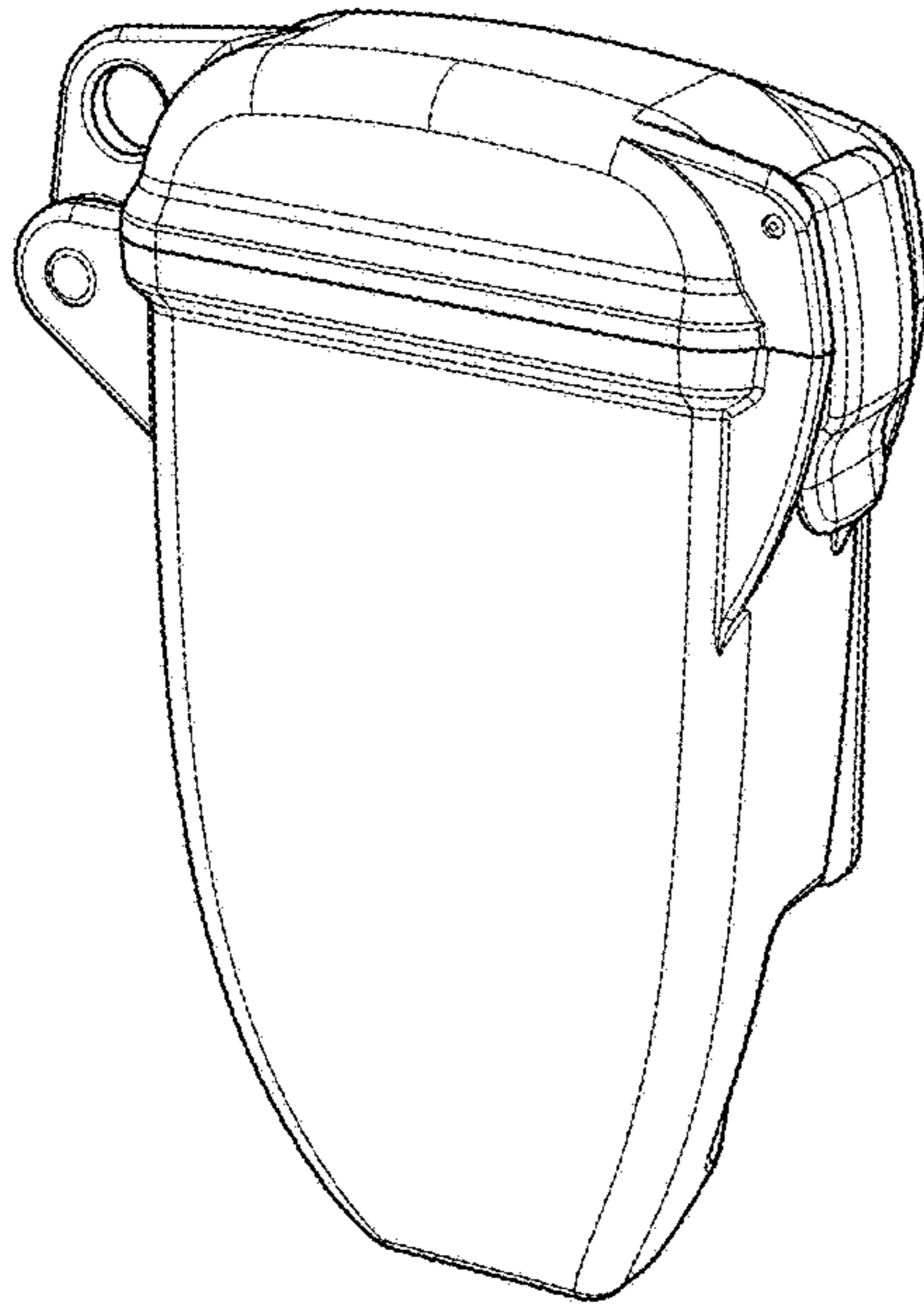


FIG. 2

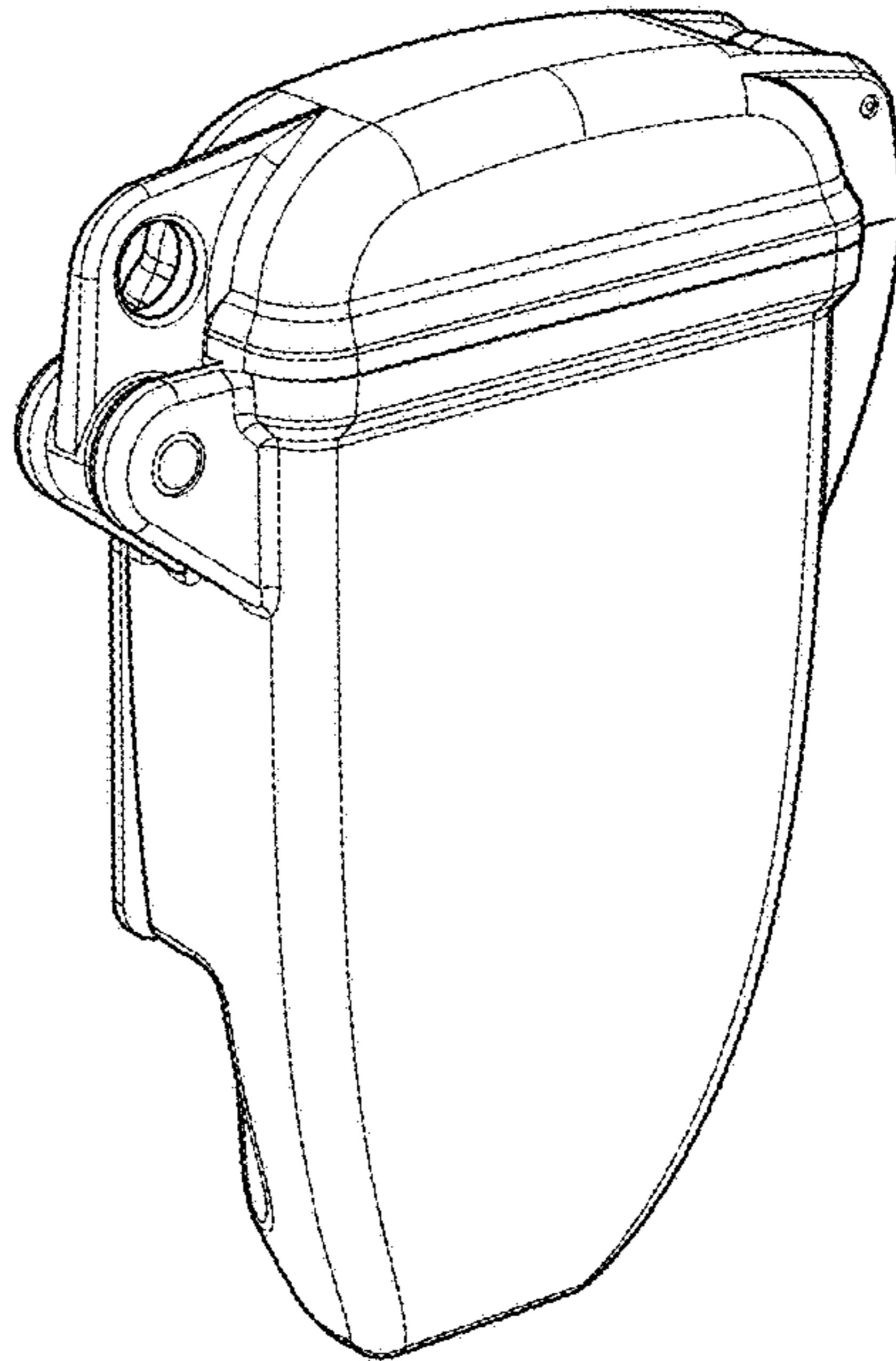


FIG. 3

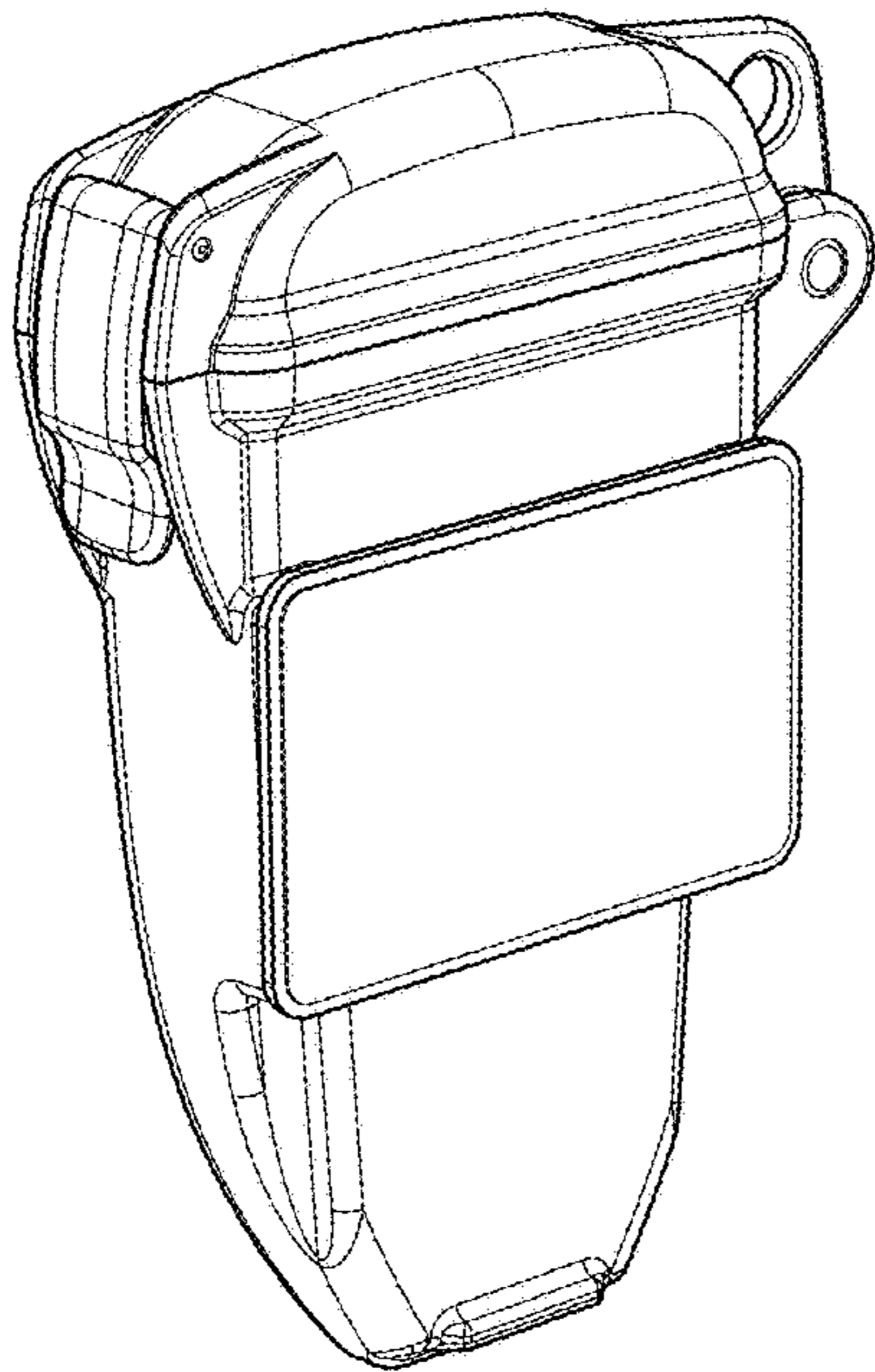


FIG. 4

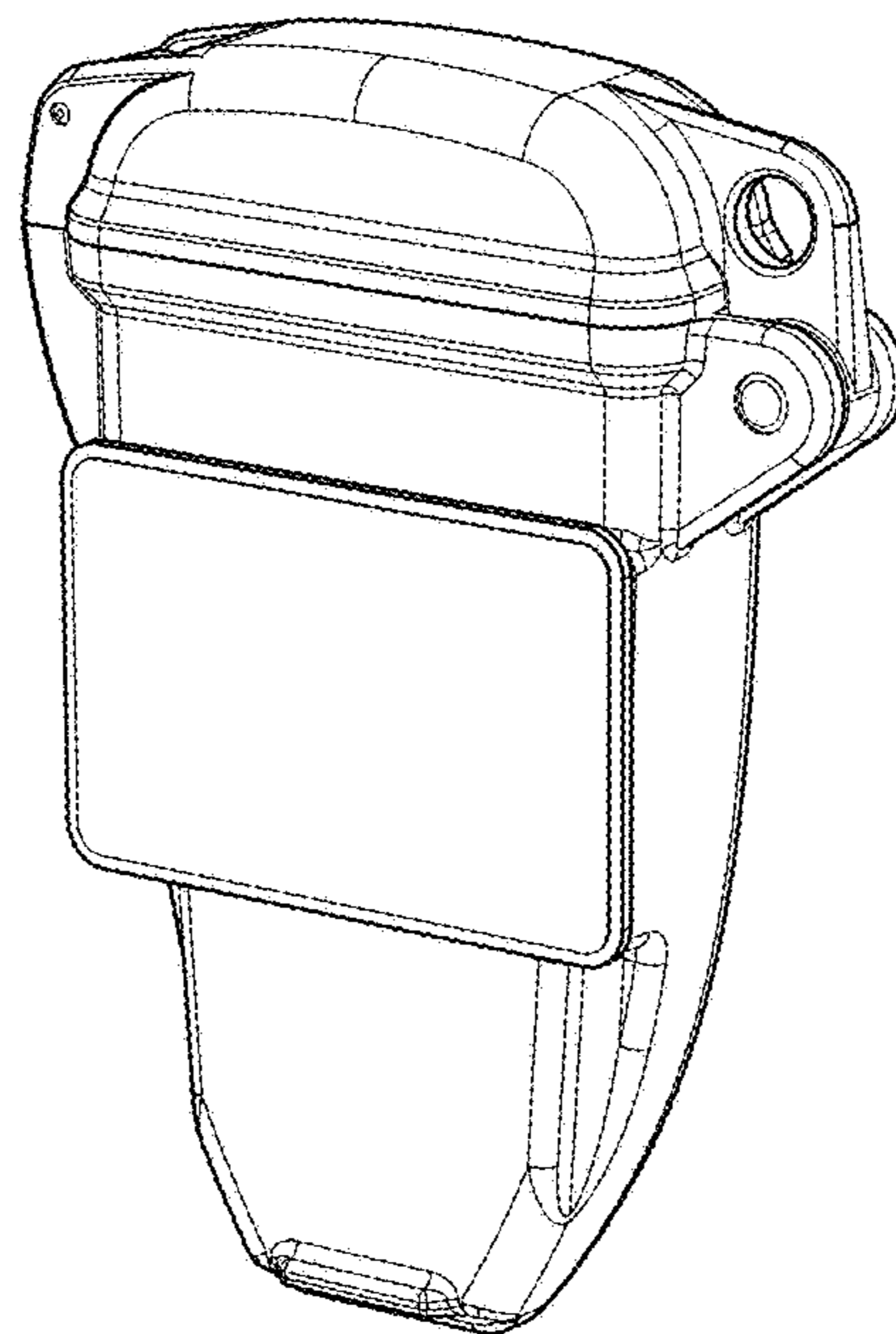


FIG. 5

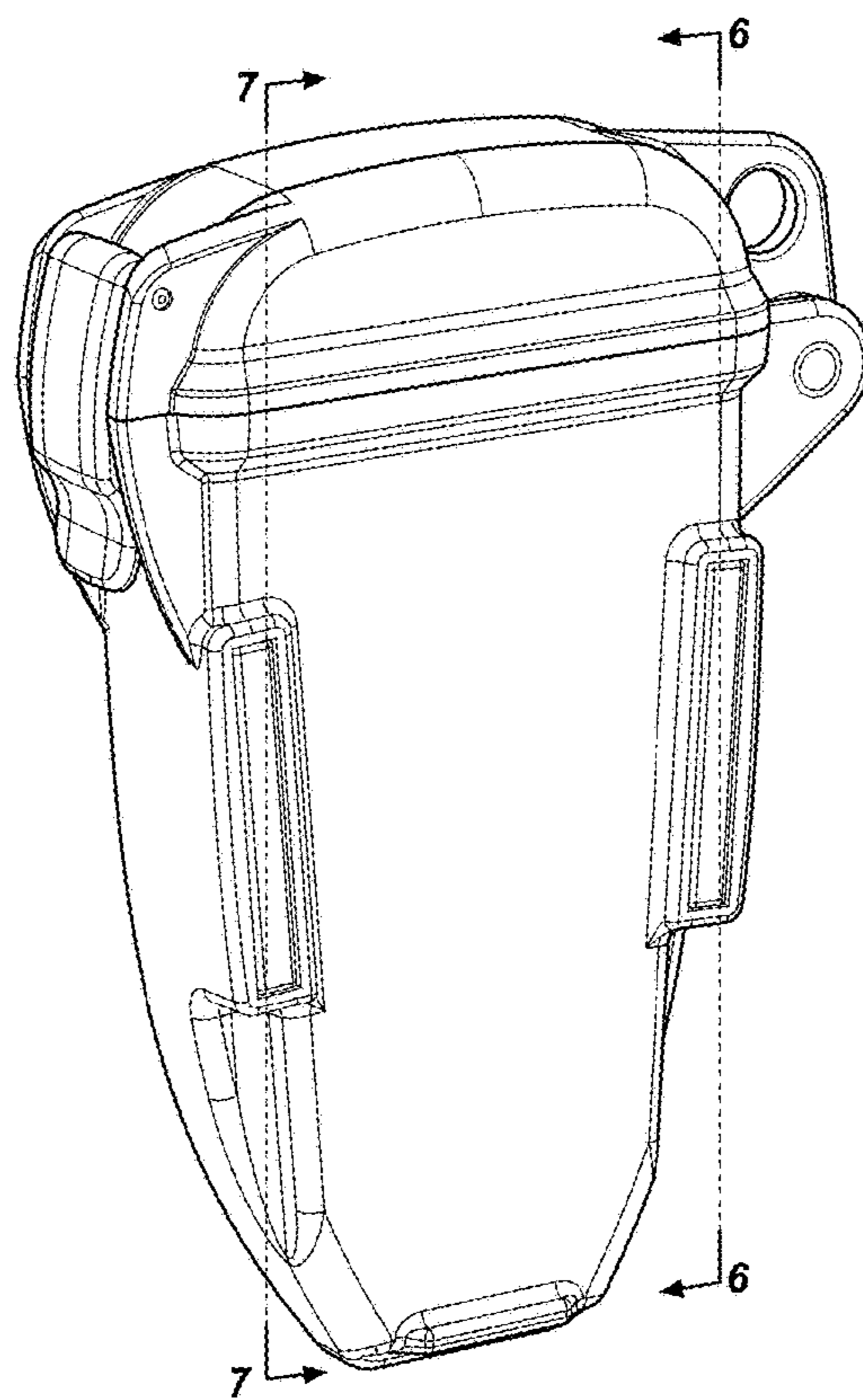


FIG. 6

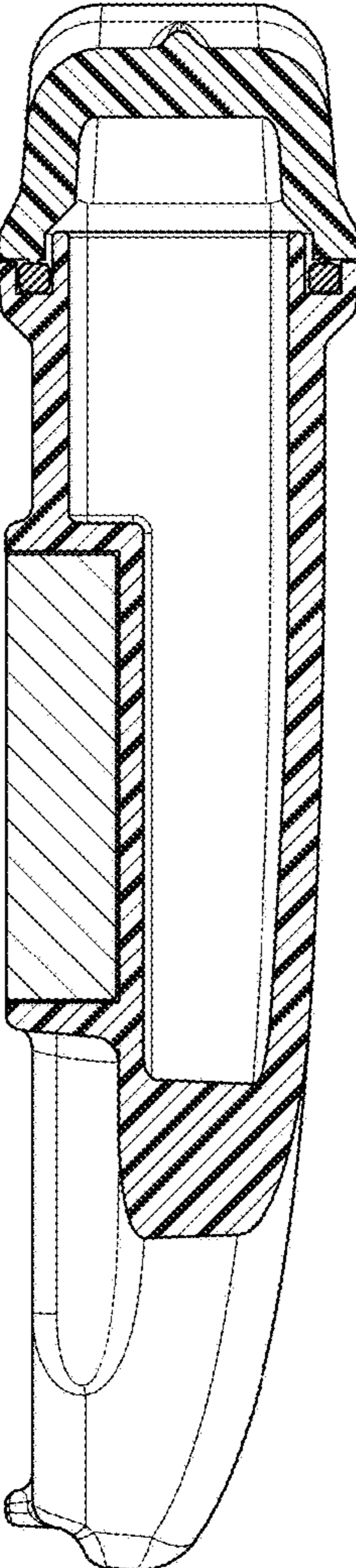


FIG. 7

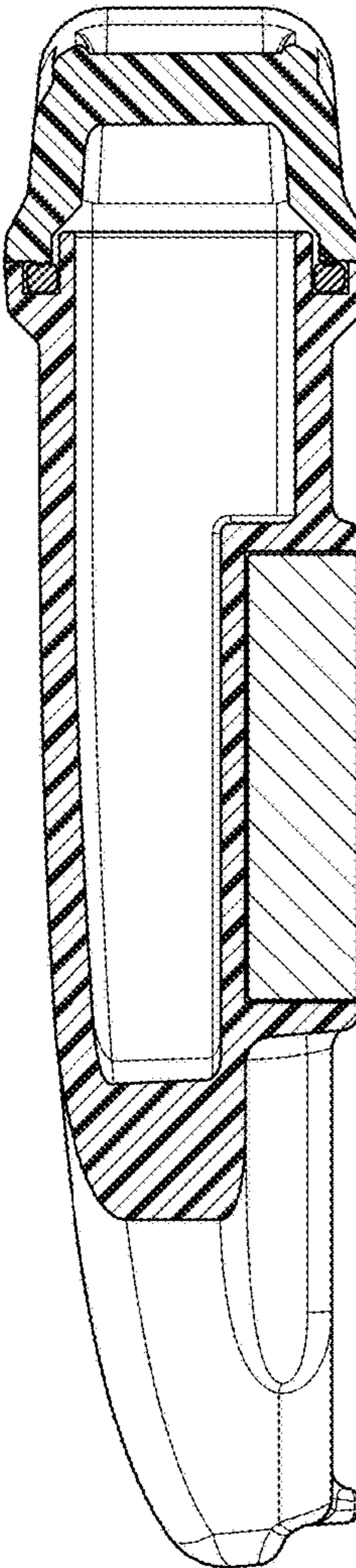


FIG. 8

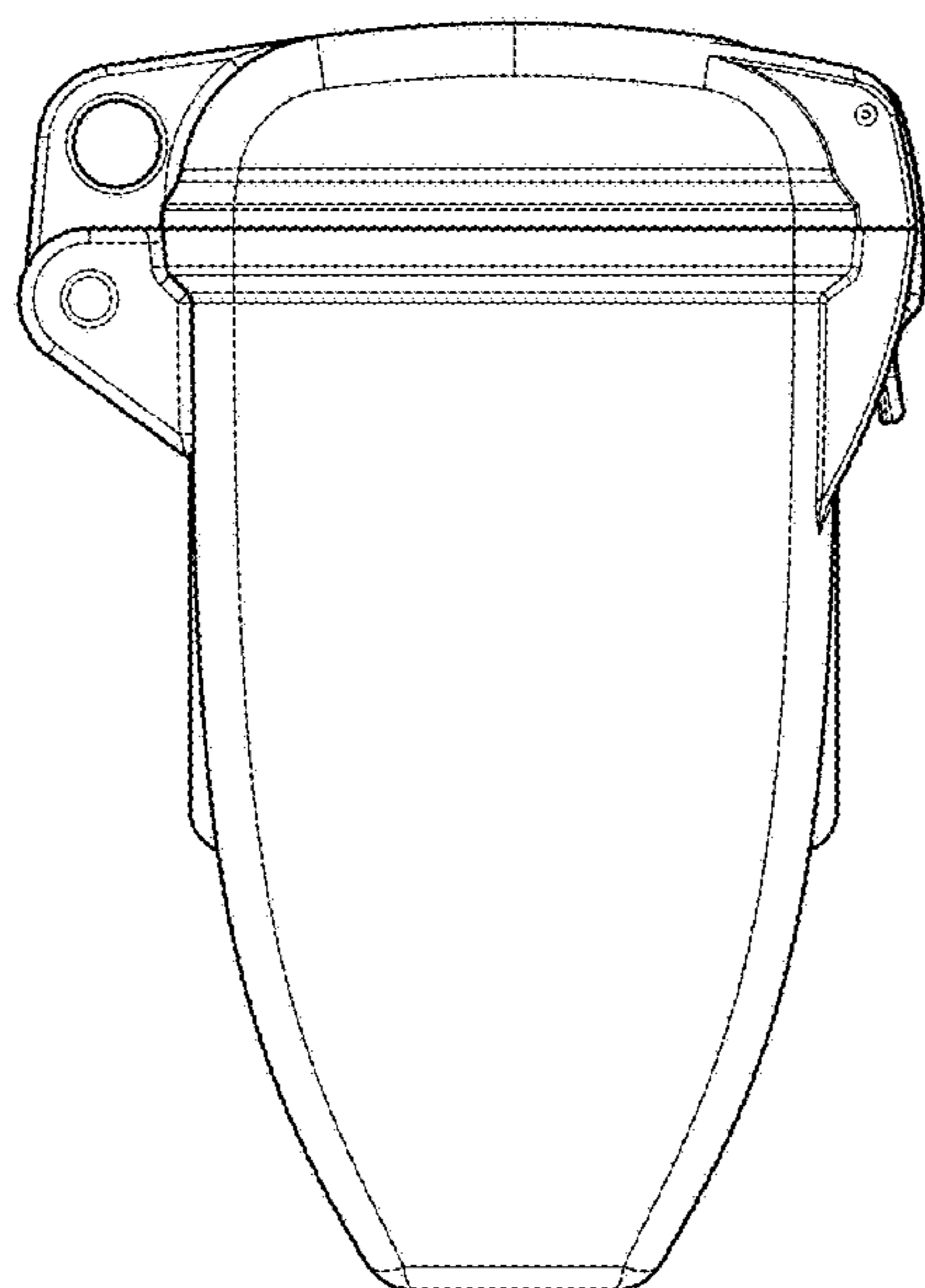


FIG. 9

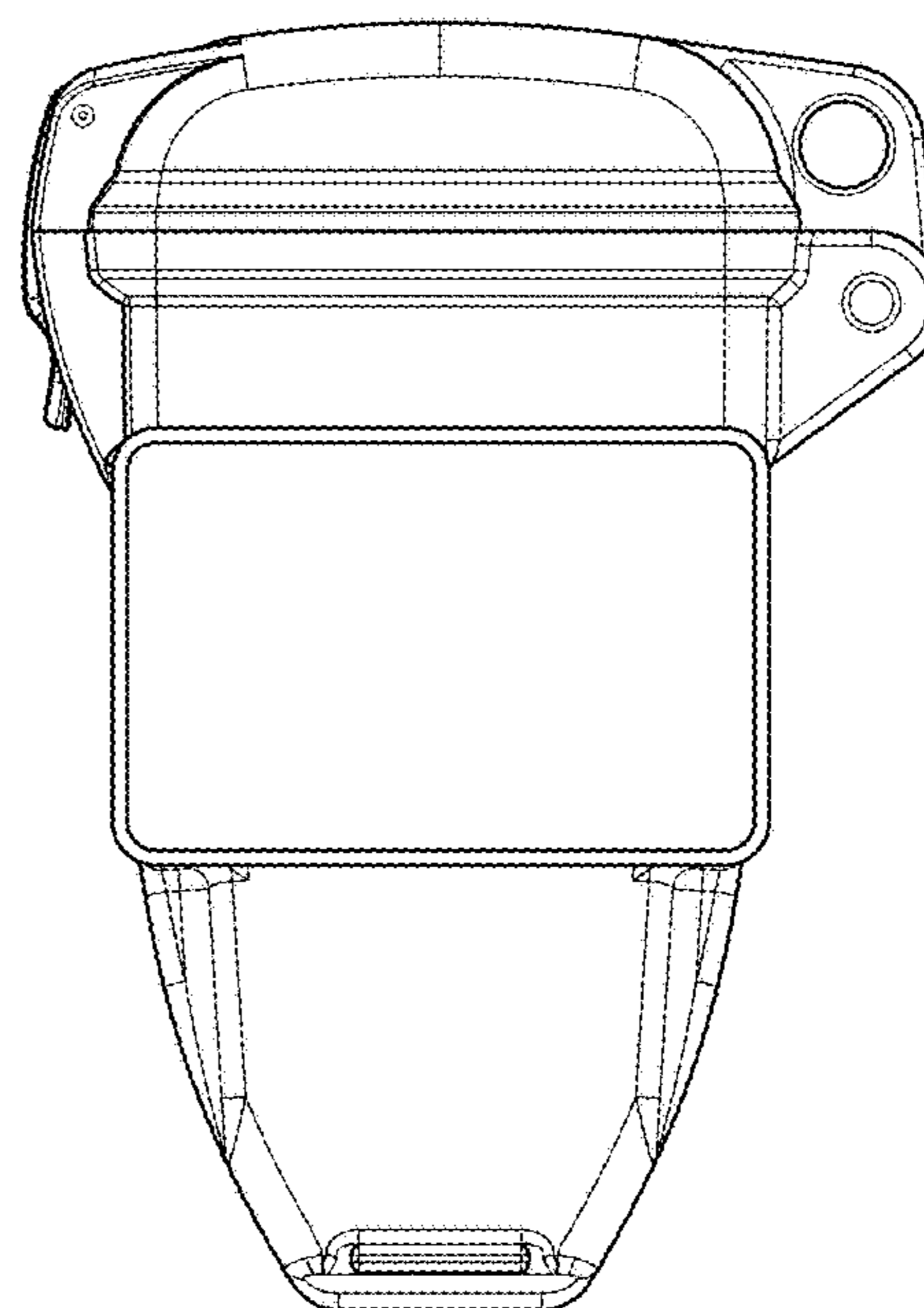


FIG. 10

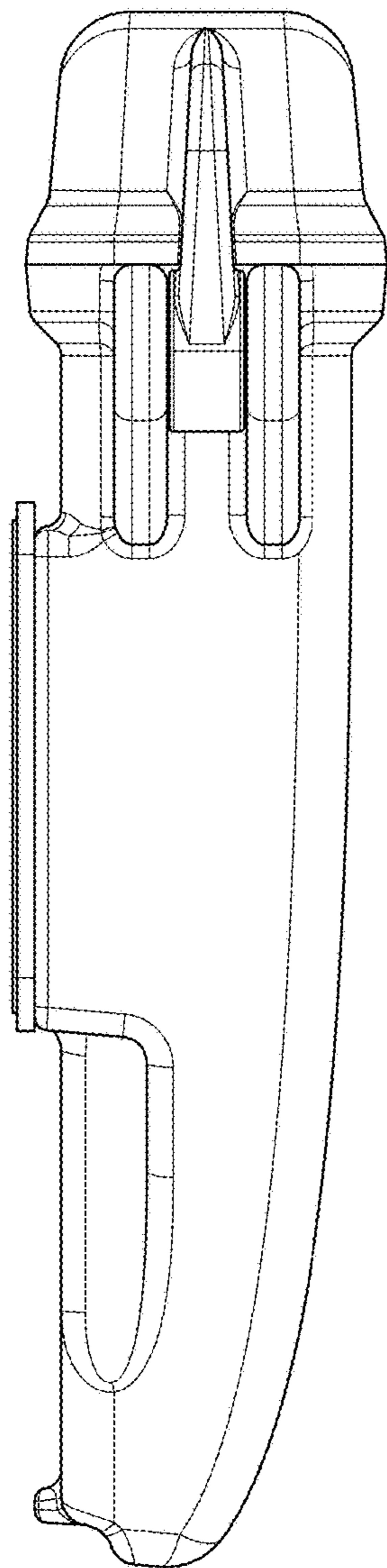


FIG. 11

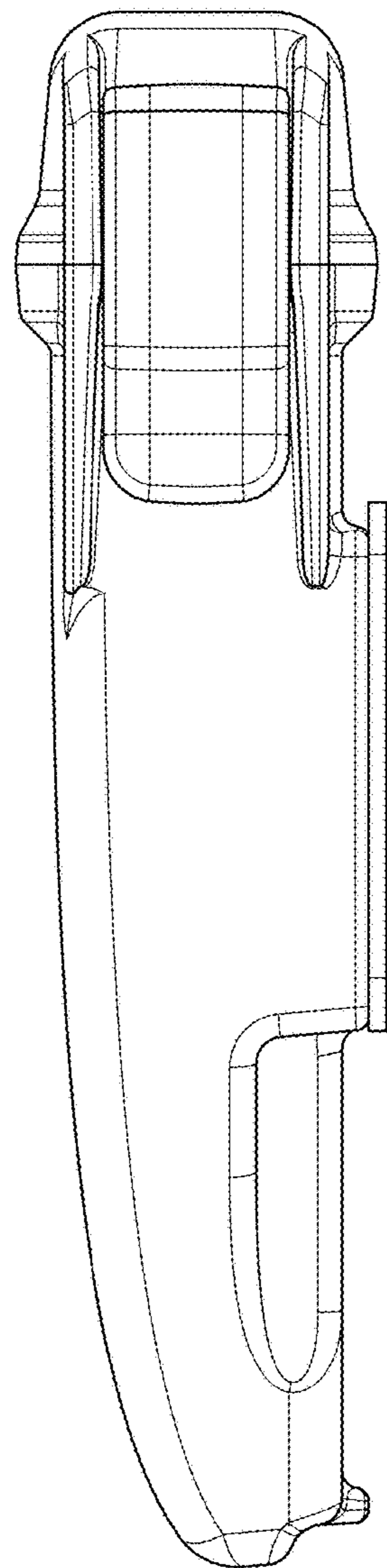


FIG. 12

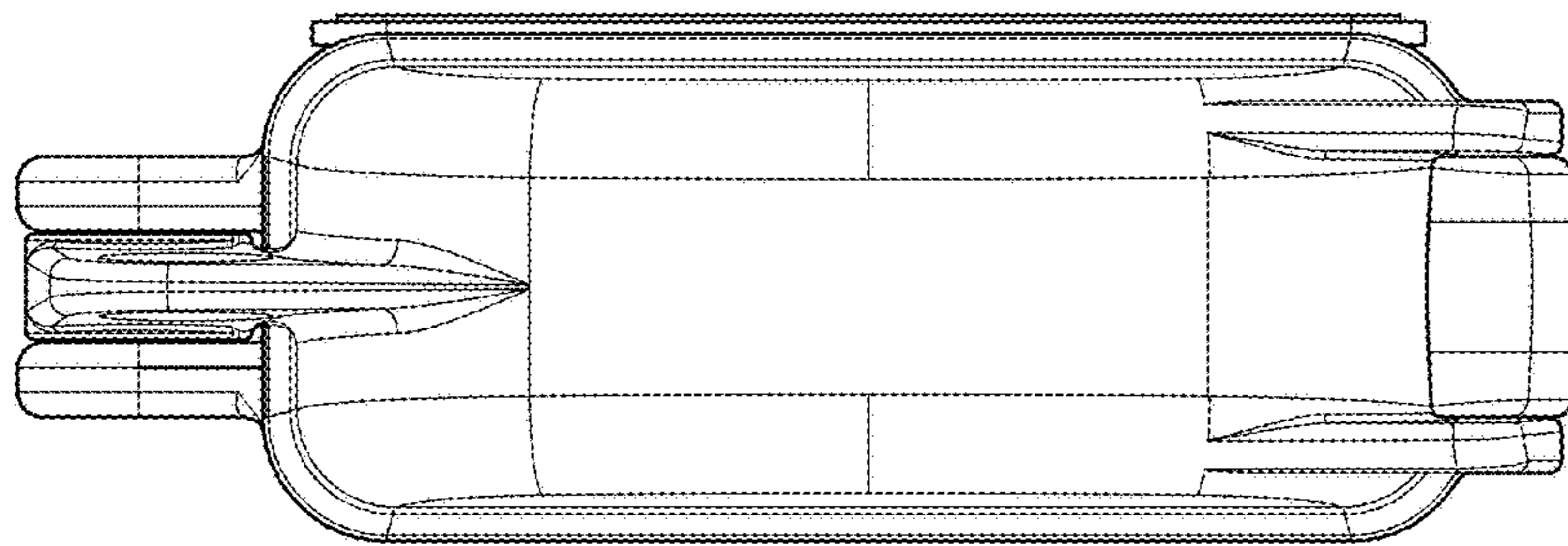


FIG. 13

