

US00D862063S

(12) **United States Design Patent**  
**Prochazka**

(10) **Patent No.:** **US D862,063 S**  
(45) **Date of Patent:** **\*\* Oct. 8, 2019**

(54) **BAREFOOT FOOTWEAR**  
(71) Applicant: **Skinners Technologies s.r.o., Brno (CZ)**  
(72) Inventor: **Petr Prochazka, Brno (CZ)**  
(73) Assignee: **SKINNERS TECHNOLOGIES S.R.O., Brno (CZ)**  
(\*\*) Term: **15 Years**  
(21) Appl. No.: **29/583,317**  
(22) Filed: **Dec. 7, 2016**

4,615,188 A \* 10/1986 Hursh ..... A41B 11/005  
2/239  
D345,251 S \* 3/1994 Pounds ..... D2/980  
D401,758 S \* 12/1998 Huff ..... D2/986  
D427,762 S \* 7/2000 Reigenborn ..... D2/989  
6,230,525 B1 \* 5/2001 Dunlap ..... D04B 1/26  
66/178 R  
D478,718 S \* 8/2003 Northcraft ..... D2/980  
D624,300 S \* 9/2010 Hollingsworth ..... D2/980  
D650,574 S \* 12/2011 Loth ..... D2/980  
D696,509 S \* 12/2013 Caruthers ..... D2/985  
2006/0143801 A1 \* 7/2006 Lambertz ..... A41B 11/00  
2/239  
2009/0113602 A1 \* 5/2009 Lambertz ..... A41B 11/02  
2/239

(30) **Foreign Application Priority Data**  
Jun. 9, 2016 (EM) ..... 003182864-0001  
(51) **LOC (12) Cl.** ..... **02-04**  
(52) **U.S. Cl.**  
USPC ..... **D2/980**  
(58) **Field of Classification Search**  
USPC ..... D2/980-994; D24/189, 192; D29/121.2,  
D29/122  
CPC . D04B 1/26; D04B 1/265; D04B 1/02; D04B  
1/108; D04B 1/12; D04B 1/18; D04B  
9/56; D04B 9/52; D04B 15/48; D04B  
15/50; D04B 21/18; A61F 13/08; A61F  
13/064; A61F 13/066; A61F 13/067;  
A41B 11/003; A41B 11/02; A41B 11/00  
See application file for complete search history.

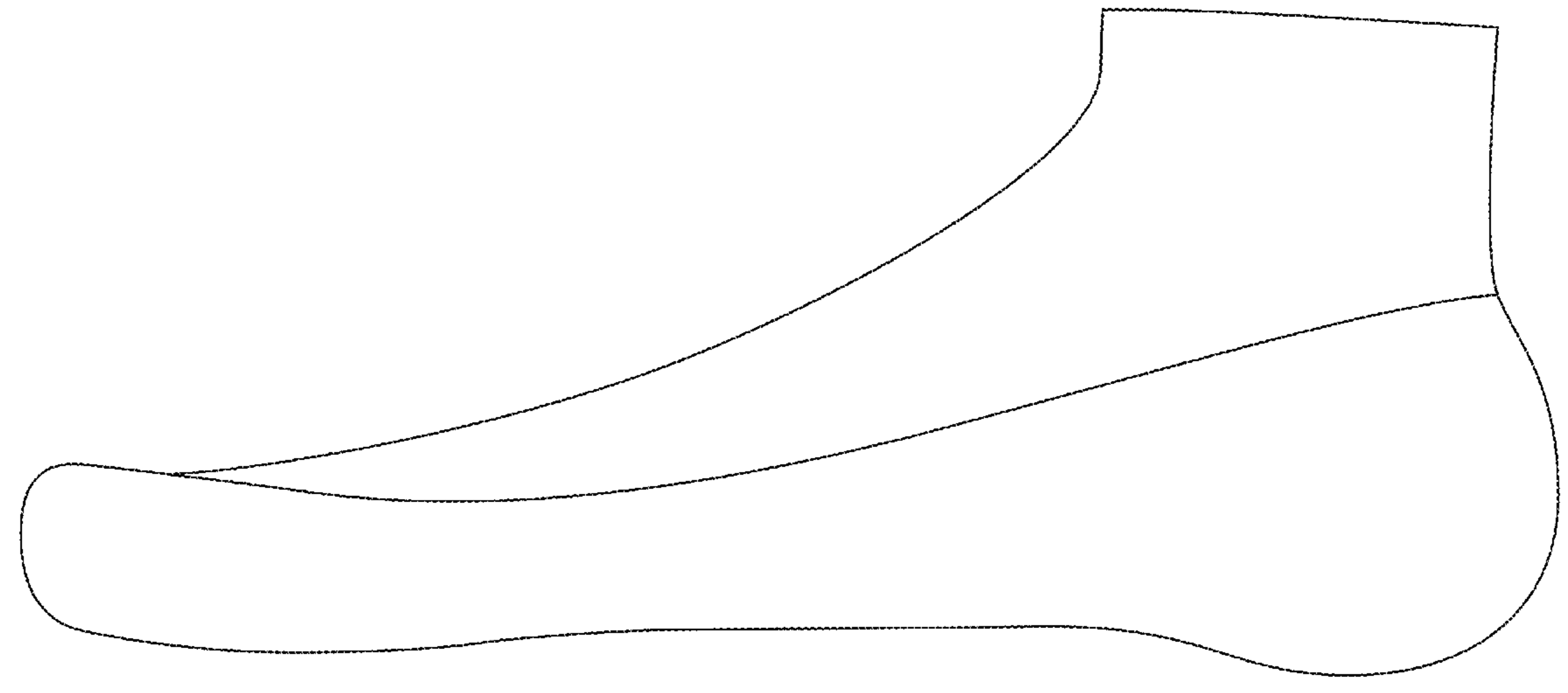
\* cited by examiner  
*Primary Examiner* — Jennifer L Watkins  
(74) *Attorney, Agent, or Firm* — Fox Rothschild LLP

(56) **References Cited**  
U.S. PATENT DOCUMENTS  
3,013,564 A \* 12/1961 Levey ..... A43B 7/26  
2/240  
4,255,819 A \* 3/1981 Klingspor ..... A41B 11/00  
2/239

(57) **CLAIM**  
The ornamental design for a barefoot footwear, as shown and described.

**DESCRIPTION**  
FIG. 1 illustrates a left side elevational view of barefoot footwear, according to the claimed design.  
FIG. 2 illustrates a front elevational view thereof.  
FIG. 3 illustrates a rear side elevational view thereof.  
FIG. 4 illustrates a bottom plan view thereof; and,  
FIG. 5 illustrates a top plan view thereof.

**1 Claim, 5 Drawing Sheets**



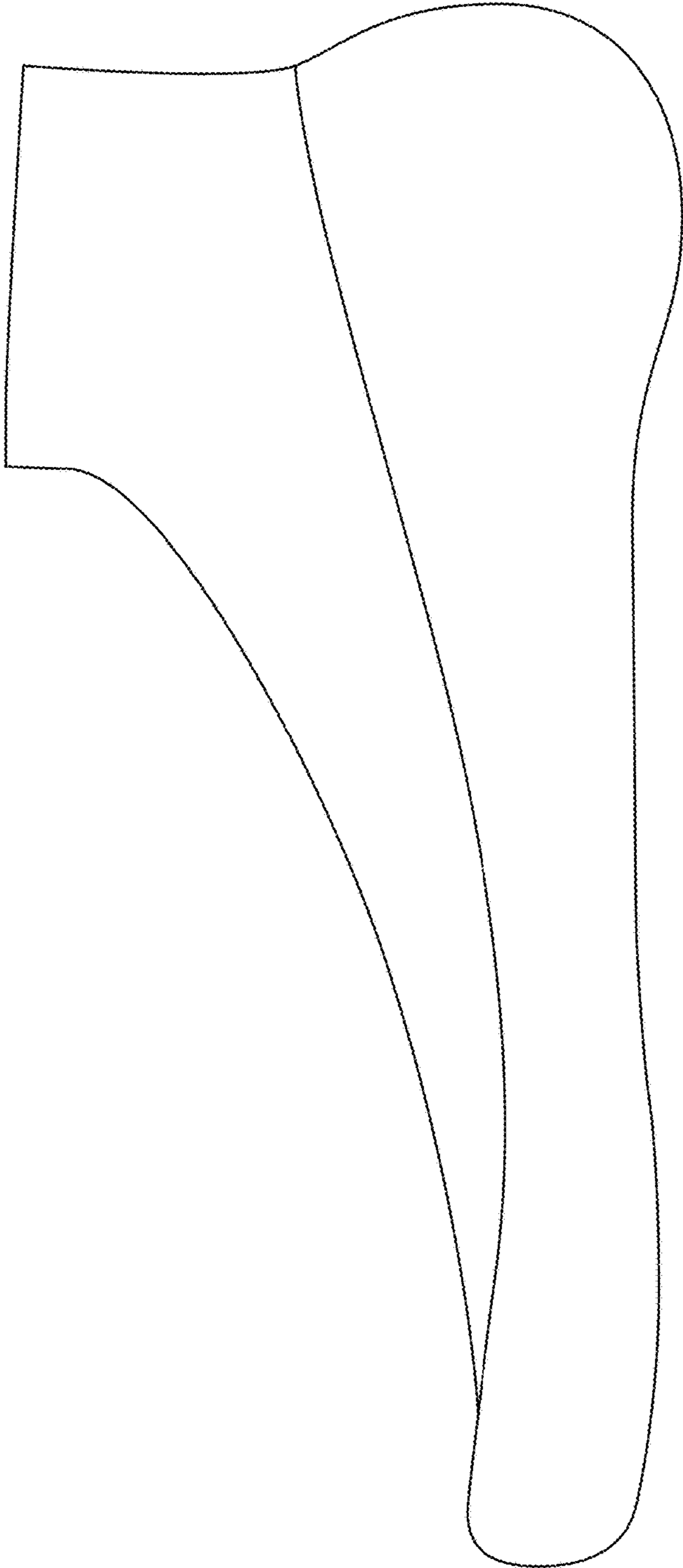


FIG. 1

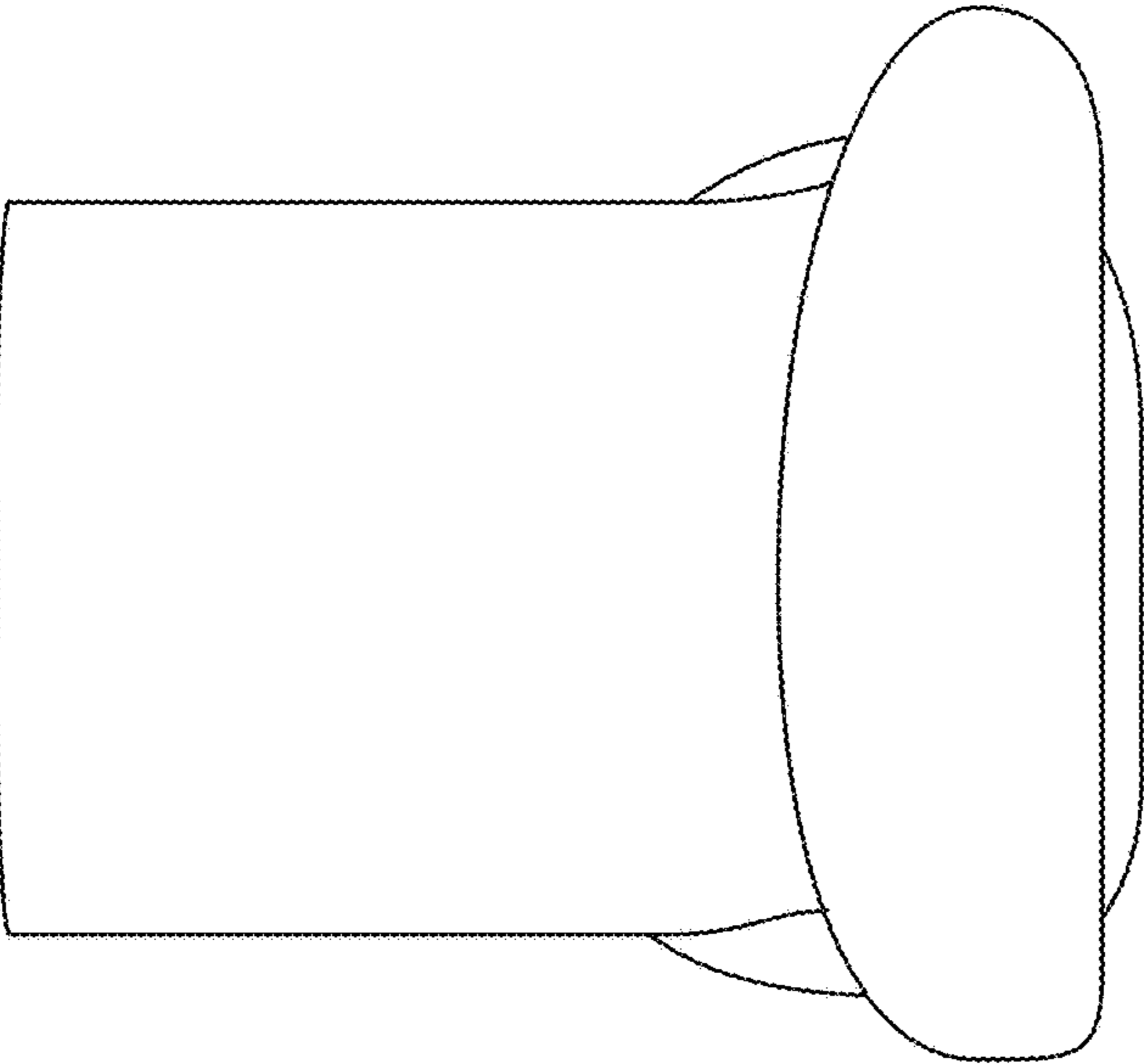


FIG. 2

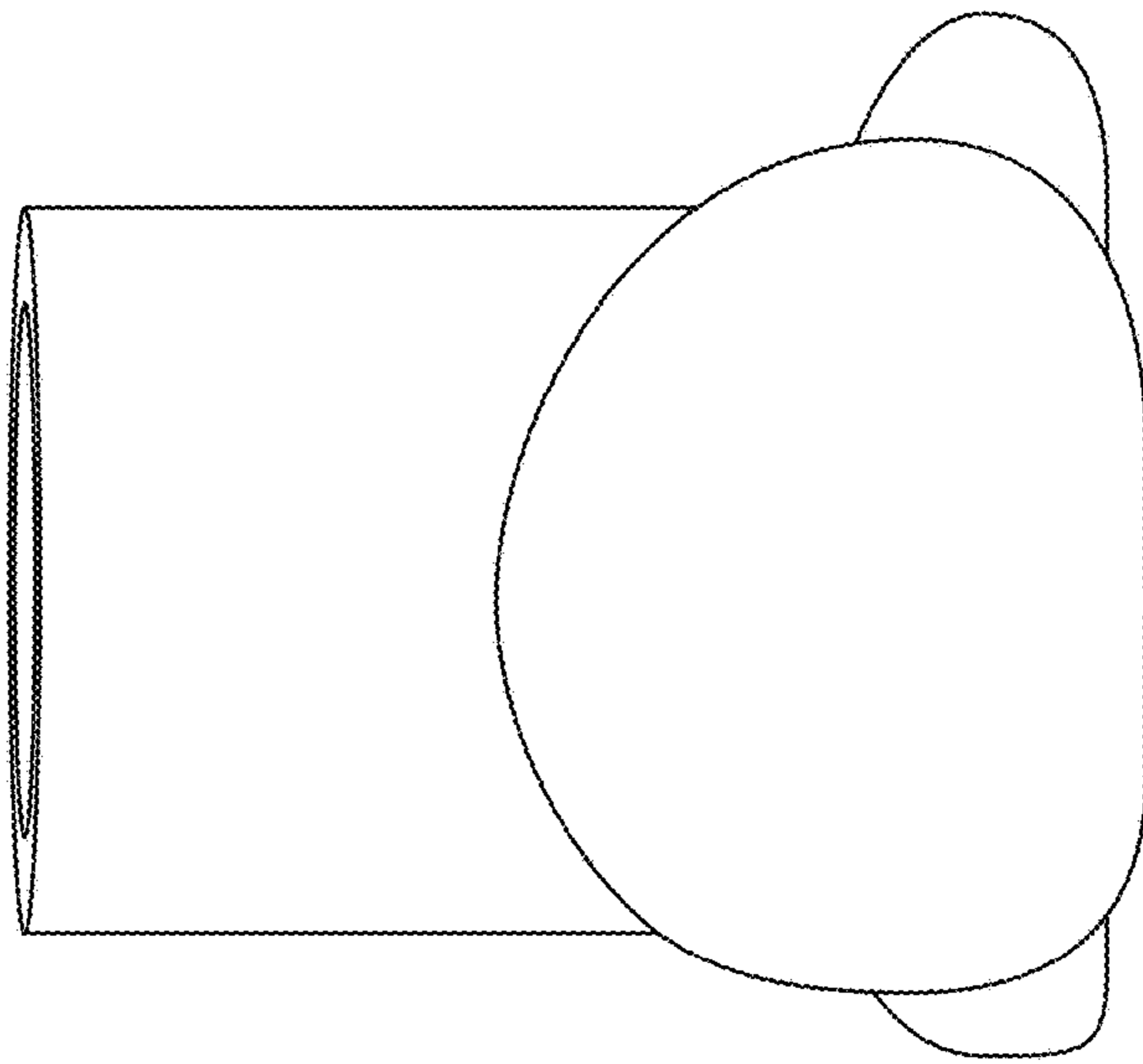


FIG. 3

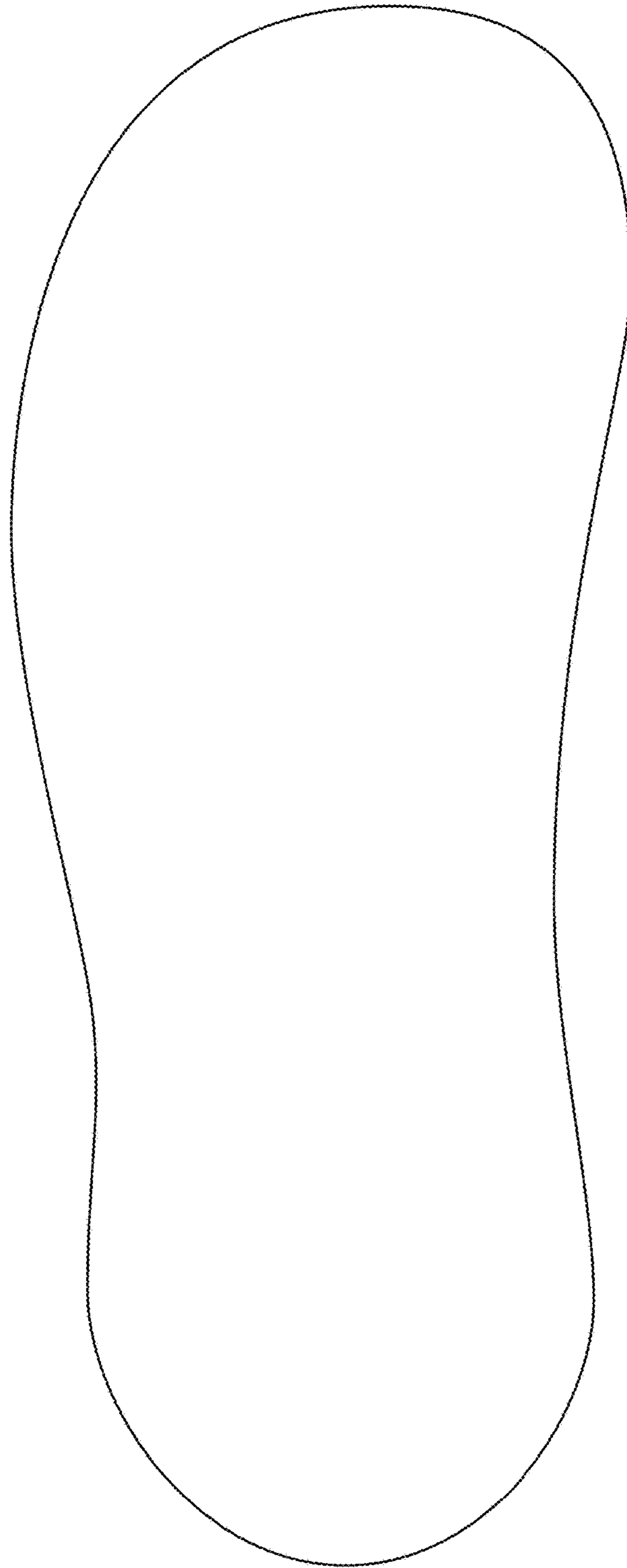


FIG. 4

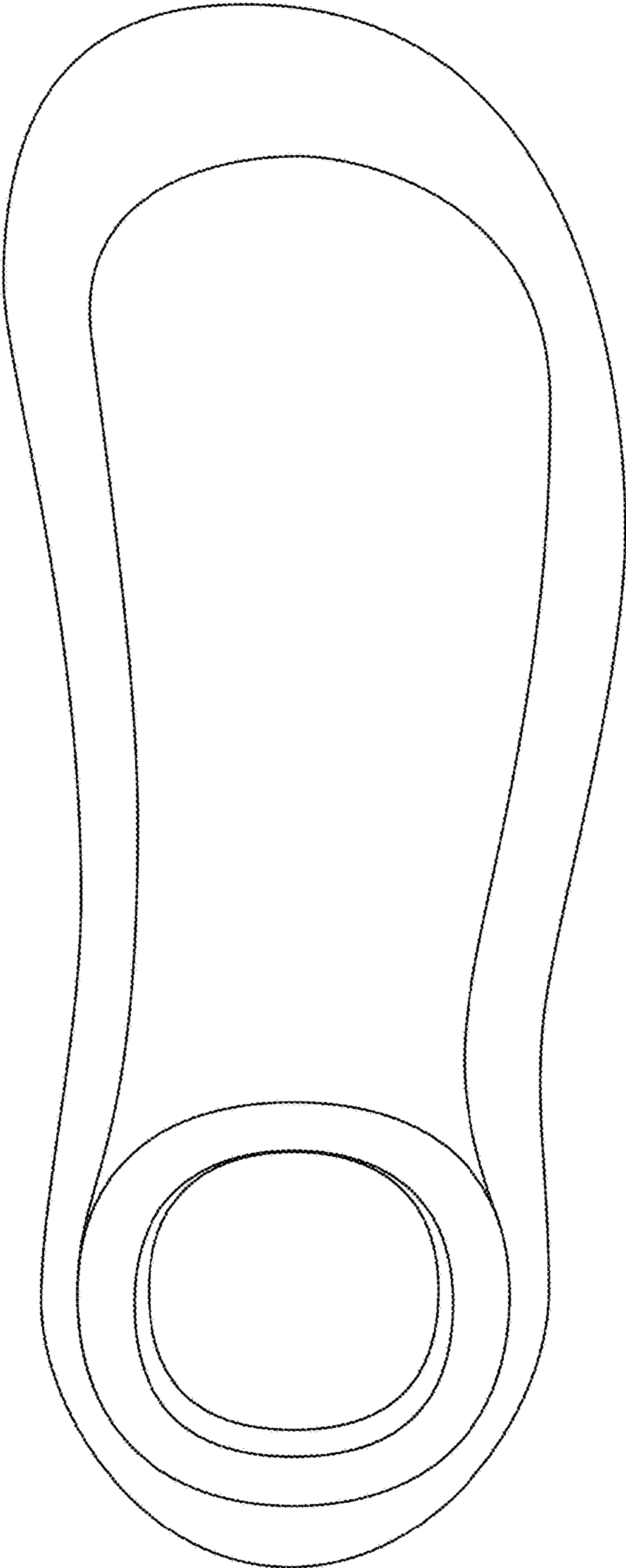


FIG. 5