



US00D862060S

(12) **United States Design Patent** (10) **Patent No.:** **US D862,060 S**
Weeks (45) **Date of Patent:** **** Oct. 8, 2019**

- (54) **SHOE OUTSOLE BOTTOM**
- (71) Applicant: **Skechers U.S.A., Inc. II**, Manhattan Beach, CA (US)
- (72) Inventor: **John Maxwell Weeks**, Playa del Rey, CA (US)
- (73) Assignee: **Skechers U.S.A., Inc. II**, Manhattan Beach, CA (US)
- (**) Term: **15 Years**
- (21) Appl. No.: **29/672,458**
- (22) Filed: **Dec. 5, 2018**
- (51) **LOC (12) Cl.** **02-04**
- (52) **U.S. Cl.**
USPC **D2/957**; D2/951; D2/960
- (58) **Field of Classification Search**
USPC D2/902, 906, 908, 916, 918, 925,
D2/946-962, 977; 36/3 B, 22 R, 24.5,
36/25 R, 28, 32 R, 34 R, 59 C, 67 A, 103
CPC A43B 13/00; A43B 13/02; A43B 13/023;
A43B 13/026; A43B 13/04; A43B 13/08;
A43B 13/10; A43B 13/12; A43B 13/14;
A43B 13/141; A43B 13/143; A43B
13/16; A43B 13/18; A43B 13/181; A43B
13/187; A43B 13/189; A43B 13/20; A43B
13/22; A43B 13/223; A43B 13/24; A43B
13/28; A43B 13/30; A43B 13/32; A43B
13/34; A43B 13/36
See application file for complete search history.

- (56) **References Cited**
U.S. PATENT DOCUMENTS
4,096,649 A * 6/1978 Saurwein A43B 13/223
36/32 R
D347,516 S 6/1994 Foster
D388,314 S * 12/1997 Tresser D2/951

- D433,790 S 11/2000 Oliver
- D483,554 S * 12/2003 Burg D2/951
- D502,308 S * 3/2005 Teague D2/954
- D508,307 S * 8/2005 Burg D2/953
- D554,840 S 11/2007 McClaskie
- D600,895 S 9/2009 Morgan
- D603,151 S 11/2009 Roundhouse
- D620,692 S * 8/2010 McClaskie D2/951
- D621,595 S 8/2010 McClaskie
- D632,879 S * 2/2011 Merkazy D2/953
- D643,195 S 8/2011 Yi
- D655,901 S 3/2012 Raysse
- D662,701 S * 7/2012 Raysse D2/951
- D672,543 S * 12/2012 Williams, Jr. D2/951
- D677,455 S * 3/2013 Pizzuti D2/951
- D679,901 S * 4/2013 Raysse D2/951
- D683,529 S 6/2013 Marshall
- D717,527 S * 11/2014 Truelsen D2/951

(Continued)

Primary Examiner — T Chase Nelson
(74) *Attorney, Agent, or Firm* — Marshall A. Lerner;
Marvin H. Kleinberg; Kleinberg & Lerner, LLP

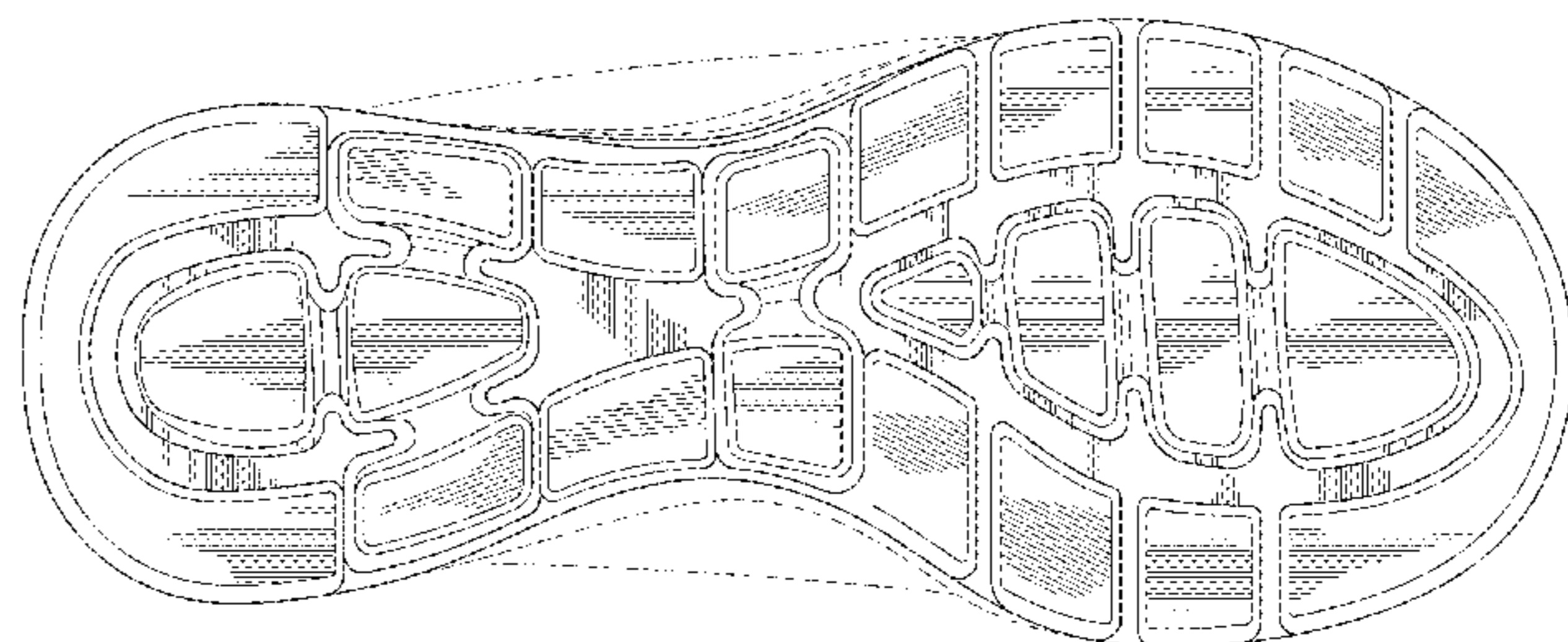
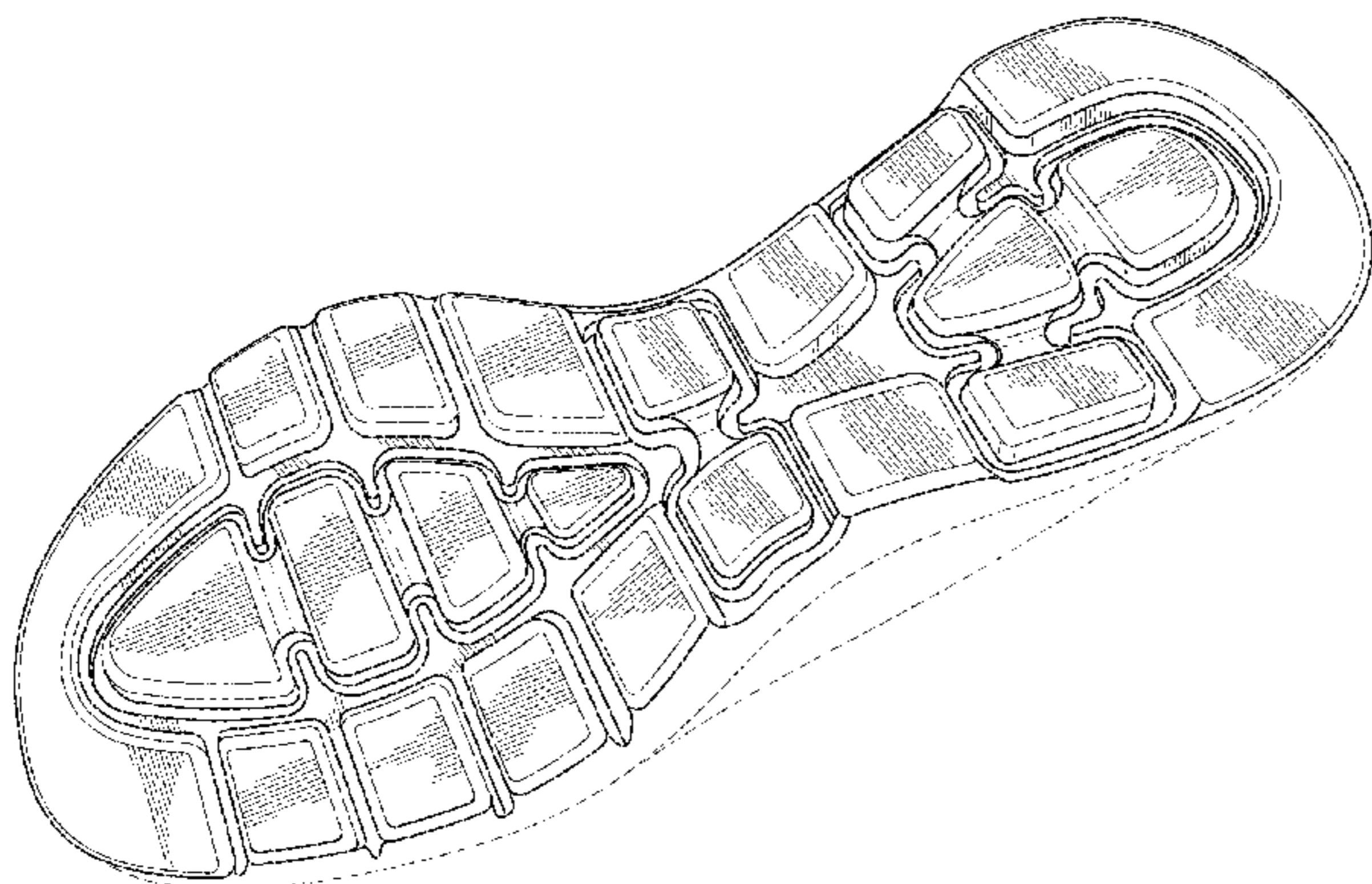
(57) **CLAIM**

The ornamental design for a shoe outsole bottom, as shown and described.

DESCRIPTION

FIG. 1 is a perspective view of a shoe outsole bottom in accordance with my new design.
FIG. 2 is a left side view thereof;
FIG. 3 is a right side view thereof;
FIG. 4 is a top plan view thereof;
FIG. 5 is a bottom plan view thereof;
FIG. 6 is a rear elevation view thereof; and,
FIG. 7 is a front elevation view thereof.
The broken lines shown in the drawings represent unclaimed portions of the shoe outsole as well as unclaimed environment in the form of a shoe upper. The broken lines themselves also form no part of the claimed design.

1 Claim, 6 Drawing Sheets



(56)

References Cited

U.S. PATENT DOCUMENTS

D724,297 S 3/2015 Oliver
 D724,830 S * 3/2015 Joseph D2/951
 D725,881 S 4/2015 Weeks
 D728,210 S 5/2015 Jo
 D734,008 S 7/2015 Marvin et al.
 D735,454 S 8/2015 Yun
 D738,079 S * 9/2015 Bates D2/951
 D742,106 S * 11/2015 Taestensen D2/951
 D744,728 S * 12/2015 Remmele D2/908
 D746,561 S 1/2016 Bikowski
 D746,564 S * 1/2016 Wright D2/951
 D756,093 S * 5/2016 Mahoney D2/951
 D770,153 S 11/2016 Marvin et al.
 D770,741 S * 11/2016 Teteriatnikov D2/951
 D774,287 S 12/2016 Taestensen
 D774,290 S * 12/2016 Taestensen D2/951
 D779,177 S * 2/2017 Gibson D2/951
 D781,040 S 3/2017 Scofield
 D784,670 S * 4/2017 Lok D2/951
 D788,421 S * 6/2017 Gibson D2/951
 D789,044 S * 6/2017 Taestensen D2/908
 D789,048 S * 6/2017 Lee D2/912
 D797,412 S 9/2017 Taestensen
 D801,658 S * 11/2017 Huard D2/960
 D809,759 S * 2/2018 Kanata D2/957
 D812,879 S 3/2018 Lapouille
 D812,880 S 3/2018 Lapouille
 D814,755 S * 4/2018 McManus D2/957

D814,756 S * 4/2018 Cin D2/957
 D815,815 S * 4/2018 Moore D2/947
 D815,825 S * 4/2018 Goldberg D2/957
 D822,963 S * 7/2018 Moore D2/947
 D825,908 S * 8/2018 Mancini D2/961
 10,149,513 B1 * 12/2018 Eldem A43B 13/20
 D838,445 S * 1/2019 Kalns D2/912
 D839,572 S * 2/2019 Seamarks D2/957
 D839,573 S * 2/2019 Small D2/957
 D839,576 S * 2/2019 Small D2/960
 2010/0212185 A1 * 8/2010 Cooper A43B 1/0072
 36/12
 2010/0293816 A1 * 11/2010 Truelsen A43B 5/06
 36/30 R
 2013/0227857 A1 * 9/2013 Schindler A43B 13/20
 36/83
 2014/0013624 A1 * 1/2014 Stockbridge A43B 13/00
 36/103
 2014/0223778 A1 * 8/2014 Horacek A43B 3/0036
 36/102
 2014/0283413 A1 * 9/2014 Christensen A43B 3/0057
 36/102
 2015/0250261 A1 * 9/2015 Sills A43B 1/0072
 36/31
 2016/0295968 A1 * 10/2016 Campos, II A43B 13/20
 2017/0020228 A1 * 1/2017 Scofield A43B 13/181
 2018/0199666 A1 * 7/2018 Moriyasu A43B 13/16
 2018/0303197 A1 * 10/2018 Chen A43B 7/24
 2019/0000180 A1 * 1/2019 Moriyasu A43B 13/16

* cited by examiner

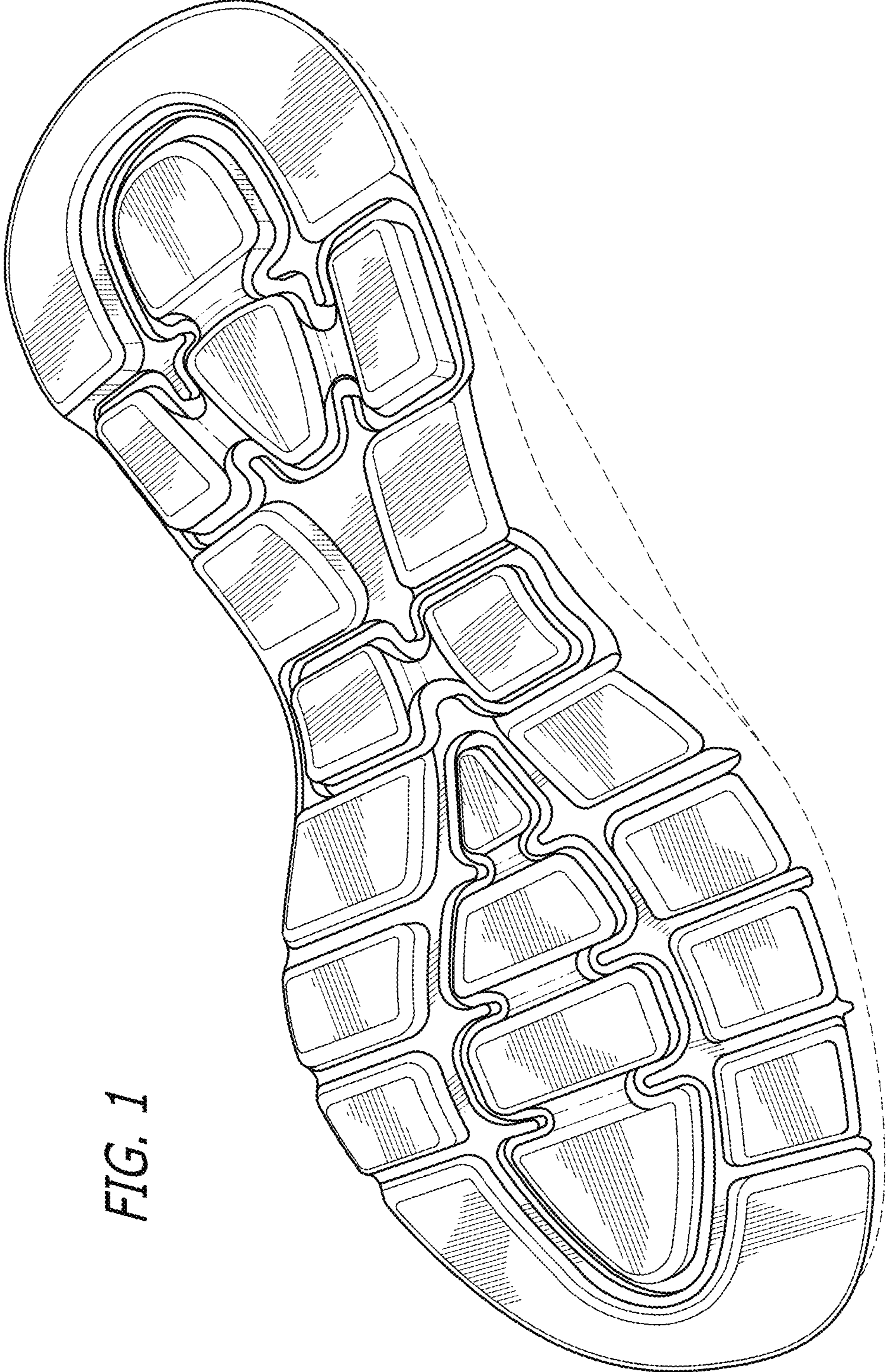
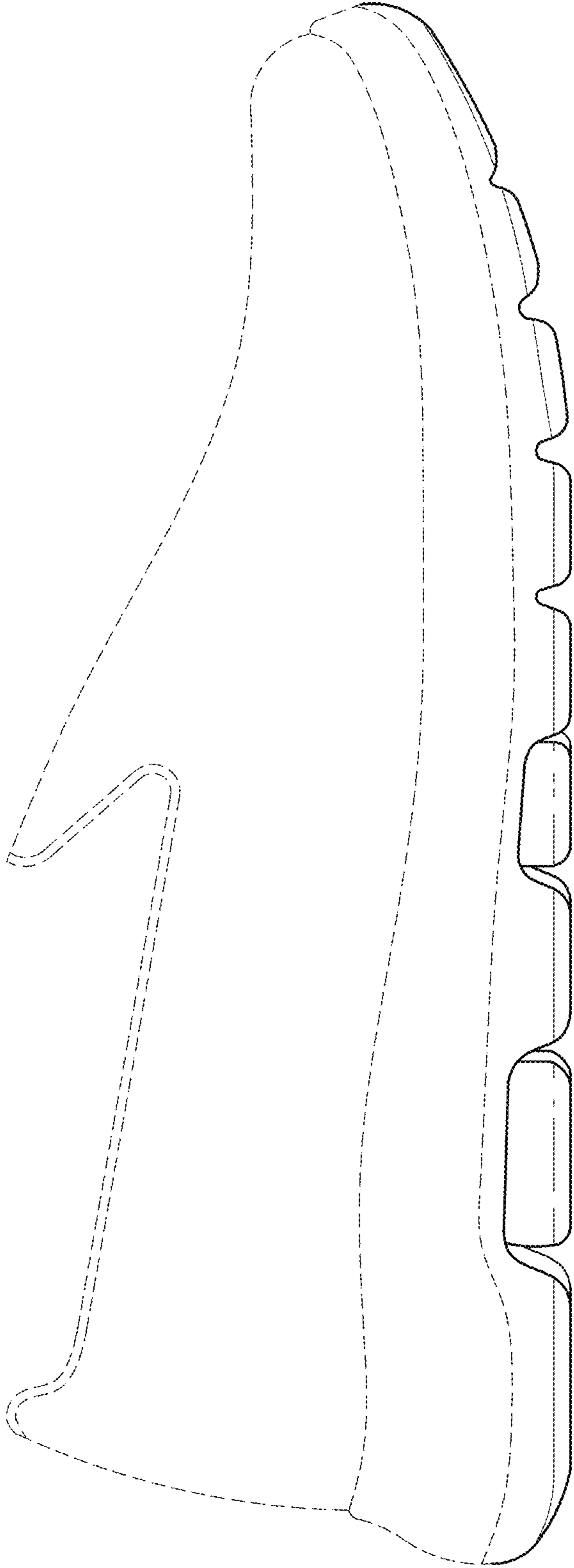


FIG. 1

FIG. 2



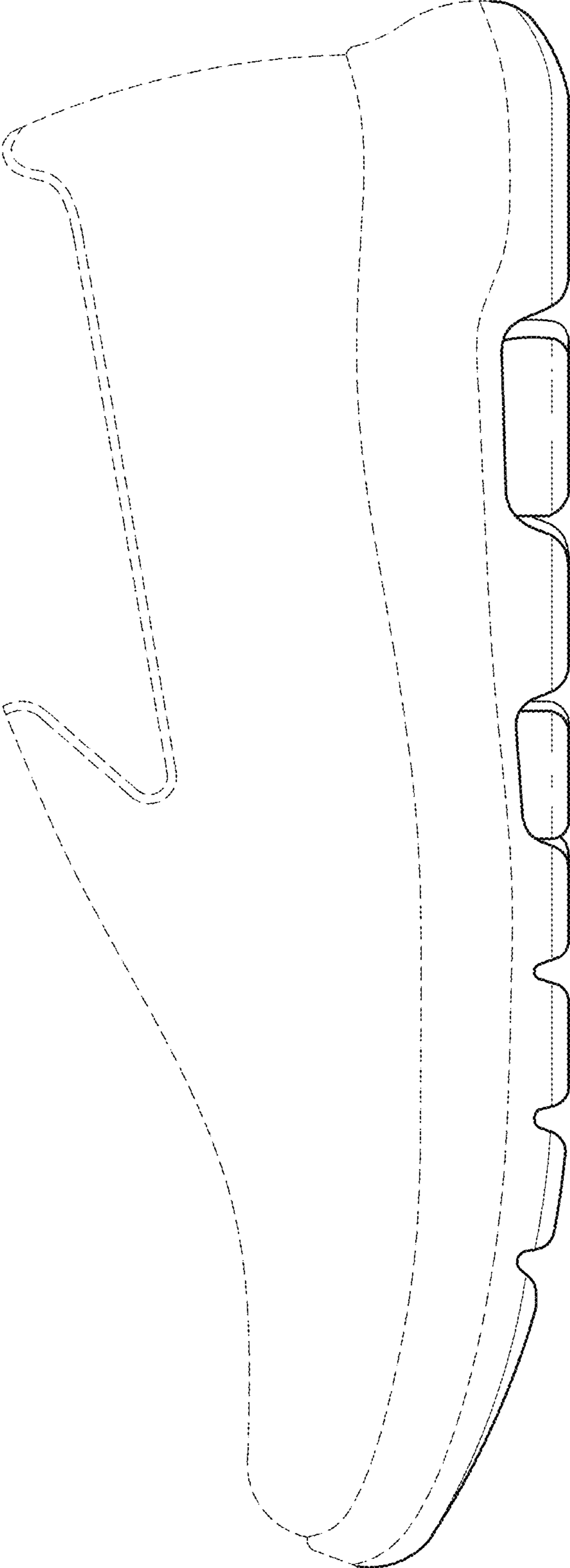


FIG. 3

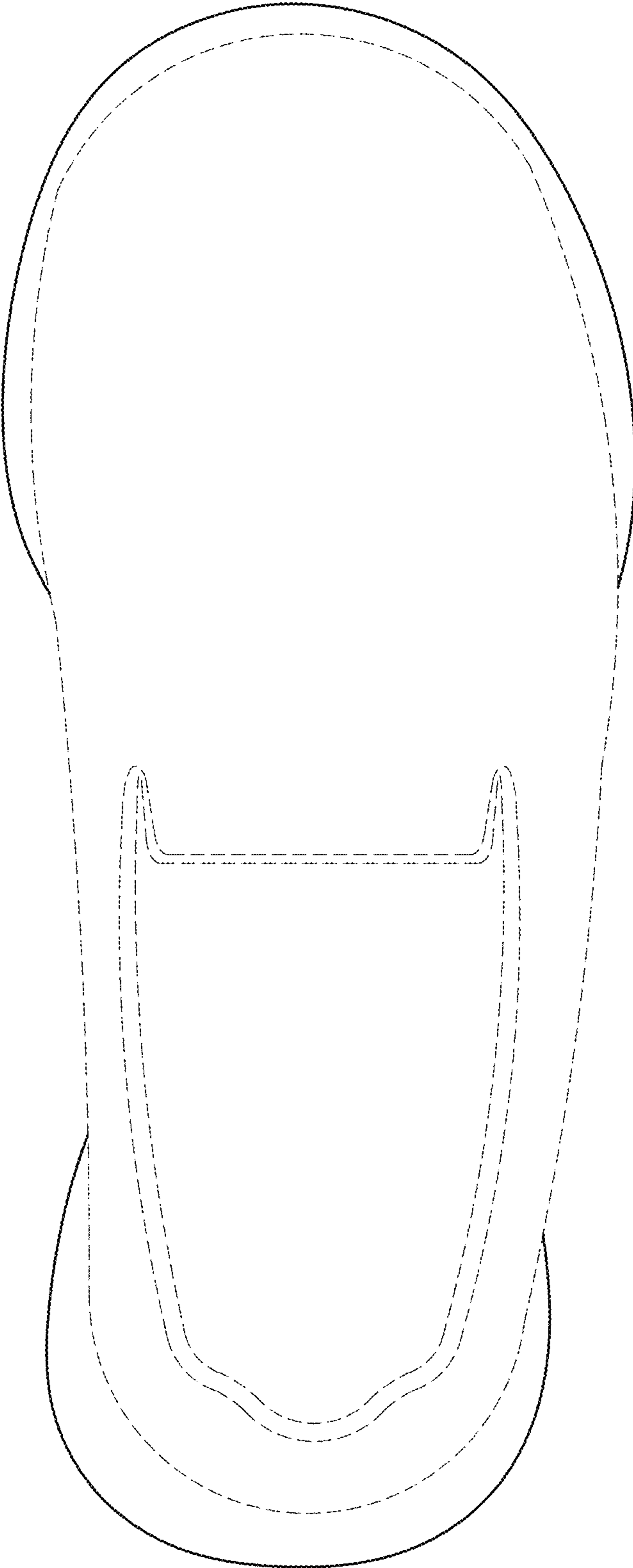


FIG. 4

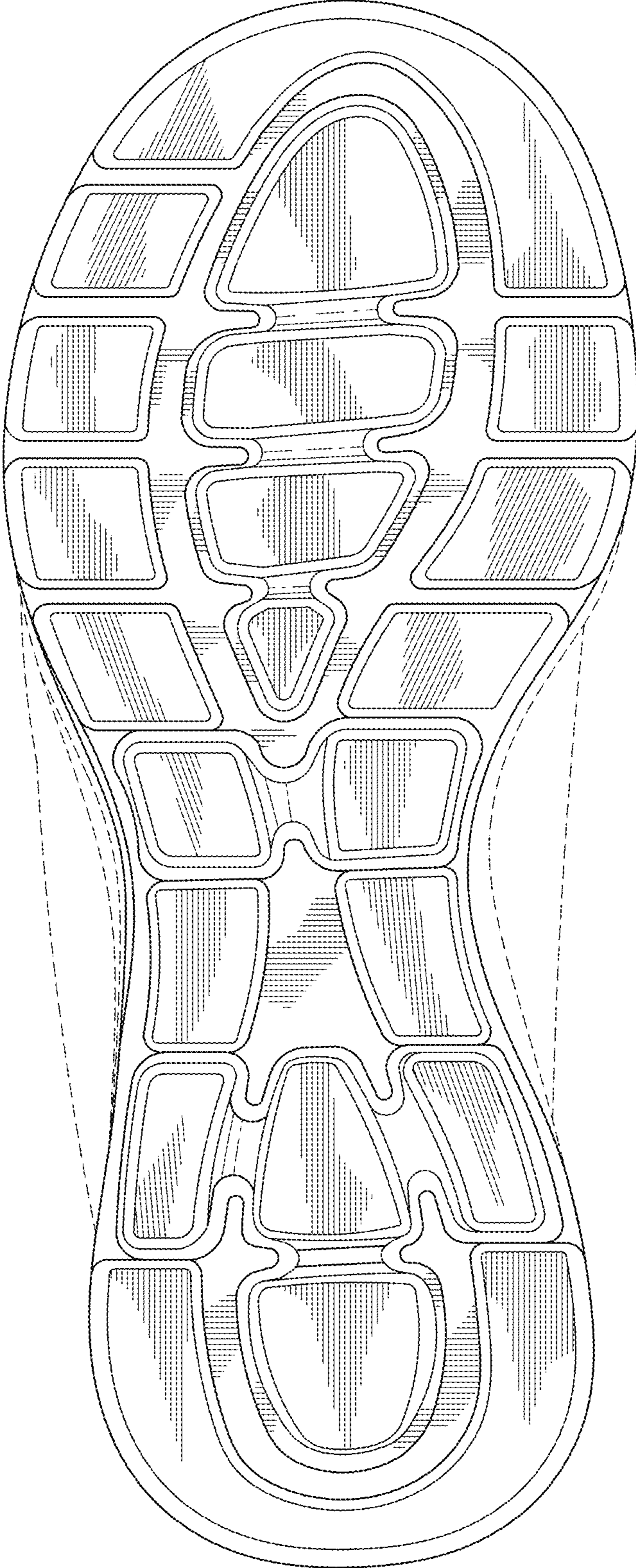


FIG. 5

FIG. 7

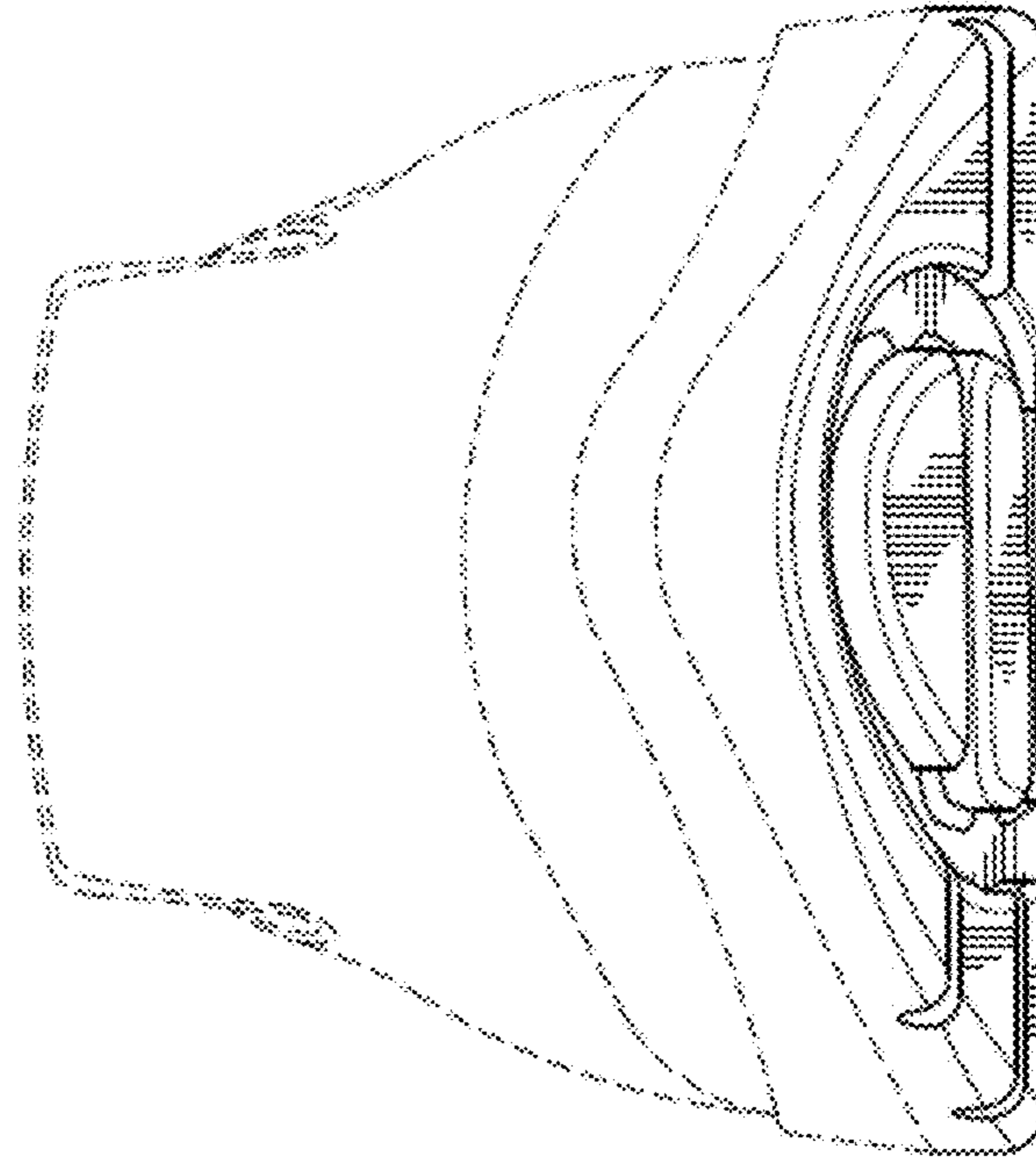


FIG. 6

