

US00D862056S

(12) **United States Design Patent**
Wang

(10) **Patent No.:** **US D862,056 S**

(45) **Date of Patent:** **** Oct. 8, 2019**

- (54) **SHOE MIDSOLE PERIPHERY**
- (71) Applicant: **Skechers U.S.A., Inc. II**, Manhattan Beach, CA (US)
- (72) Inventor: **Lisi Wang**, Culver City, CA (US)
- (73) Assignee: **Skechers U.S.A., Inc. II**, Manhattan Beach, CA (US)
- (**) Term: **15 Years**
- (21) Appl. No.: **29/686,184**
- (22) Filed: **Apr. 2, 2019**
- (51) **LOC (12) Cl.** **02-04**
- (52) **U.S. Cl.**
USPC **D2/947; D2/960**
- (58) **Field of Classification Search**
USPC D2/902, 906, 908, 916, 918, 925, D2/946-962, 977; 36/3 B, 22 R, 24.5, 36/25 R, 28, 32 R, 34 R, 59 C, 67 A, 103
CPC A43B 13/00; A43B 13/02; A43B 13/023; A43B 13/026; A43B 13/04; A43B 13/08; A43B 13/10; A43B 13/12; A43B 13/14; A43B 13/141; A43B 13/143; A43B 13/16; A43B 13/18; A43B 13/181; A43B 13/187; A43B 13/189; A43B 13/20; A43B 13/22; A43B 13/223; A43B 13/24; A43B 13/28; A43B 13/30; A43B 13/32; A43B 13/34; A43B 13/36
See application file for complete search history.

- (56) **References Cited**
U.S. PATENT DOCUMENTS
485,459 A * 11/1892 Crocker A43C 15/161 36/59 R
D205,280 S 7/1966 Wolf
D239,145 S 3/1976 Fisher
D245,211 S 8/1977 Krome

- D245,293 S 8/1977 Krome
- D247,007 S 1/1978 Krome
- D264,268 S 5/1982 Askew
- D272,964 S 3/1984 Feigelstock
- D283,366 S 4/1986 Chassaing
- D283,463 S 4/1986 Chassaing
- D284,329 S 6/1986 Rolando
- D296,724 S * 7/1988 Peterson D2/957
- D297,383 S 8/1988 Mourad et al.
- D298,984 S 12/1988 Selbiger
- D358,929 S * 6/1995 Peterson D2/908
- D360,064 S 7/1995 Verin
- D379,861 S 6/1997 Wunsch
- D388,241 S * 12/1997 Merceron D2/959
- D388,940 S 1/1998 Barker
- D401,045 S * 11/1998 Greenberg D2/960
- D408,119 S 4/1999 Greenberg
- D412,236 S 7/1999 Greenberg
- D414,922 S 10/1999 Wright
- D424,284 S 5/2000 von Conta

(Continued)

Primary Examiner — T Chase Nelson
(74) *Attorney, Agent, or Firm* — Marshall A. Lerner; Marvin H. Kleinberg; Kleinberg & Lerner, LLP

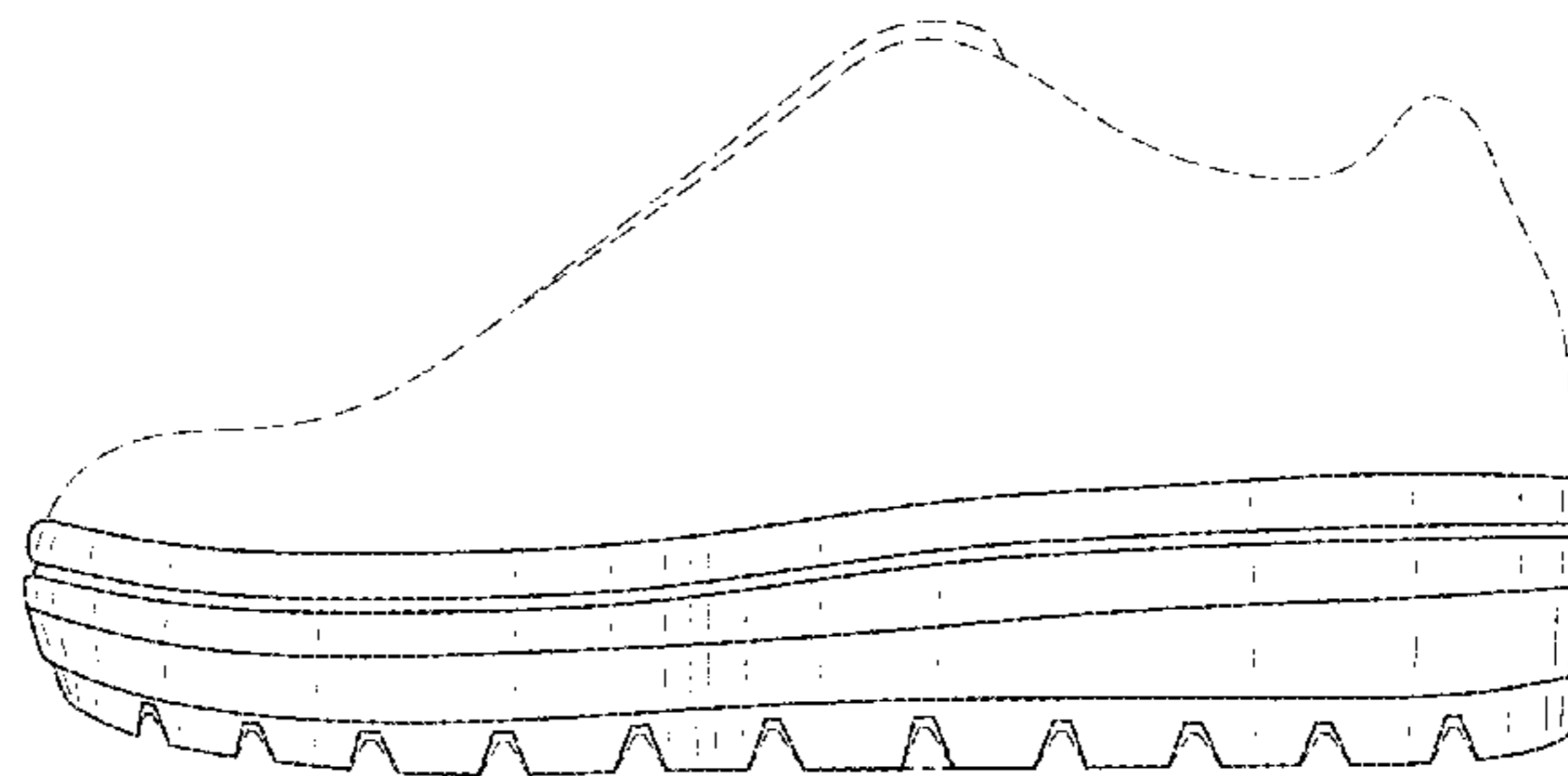
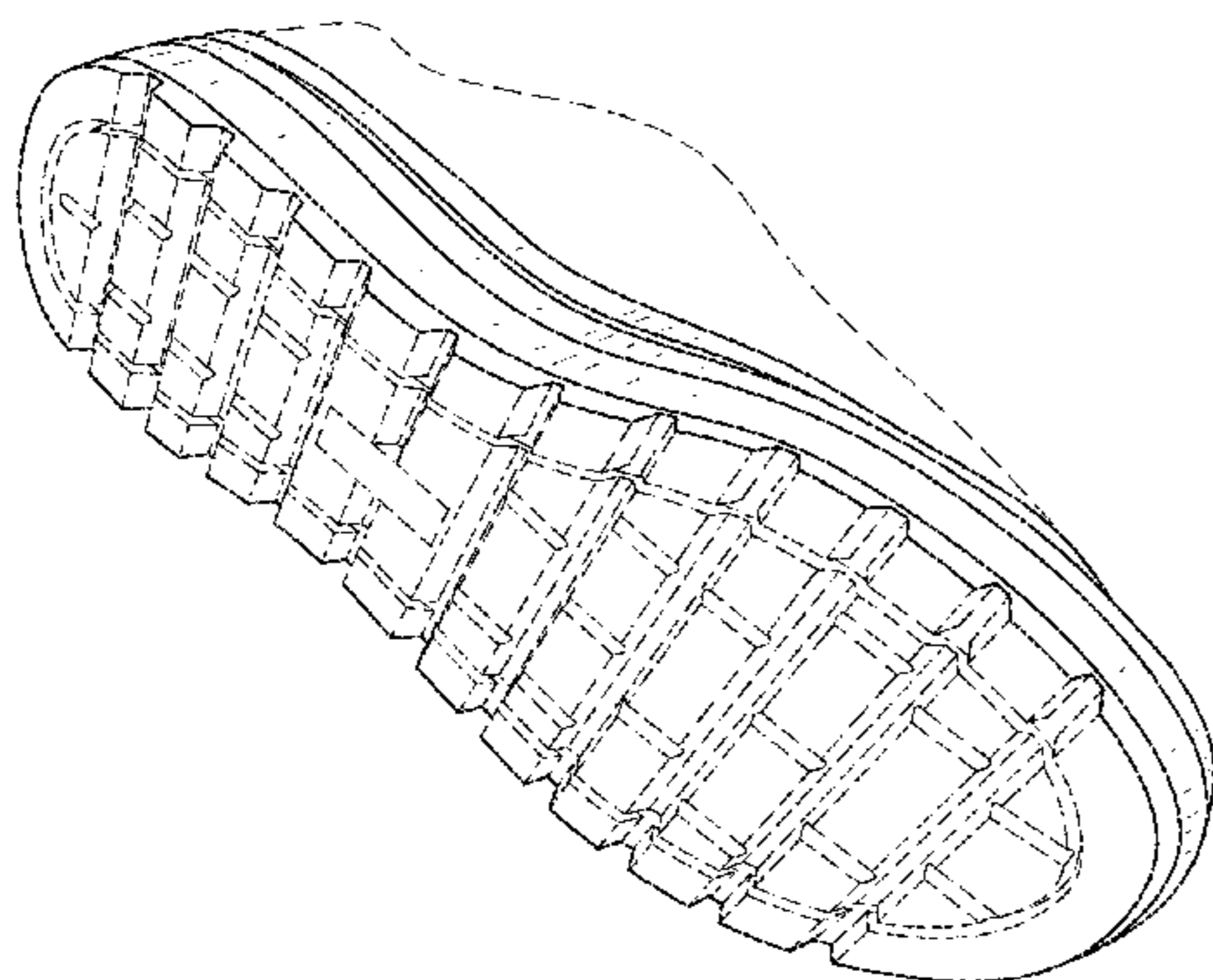
(57) **CLAIM**

The ornamental design for a shoe midsole periphery, as shown and described.

DESCRIPTION

FIG. 1 is a perspective view of a shoe midsole periphery in accordance with my new design.
FIG. 2 is a bottom plan view thereof;
FIG. 3 is a right side view thereof;
FIG. 4 is a left side view thereof;
FIG. 5 is a front elevation view thereof;
FIG. 6 is a rear elevation view thereof; and,
FIG. 7 is a top plan view thereof.
The broken lines shown in the drawings represent portions of the shoe upper, midsole periphery and outsole bottom that form no part of the claimed design.

1 Claim, 6 Drawing Sheets



(56)

References Cited

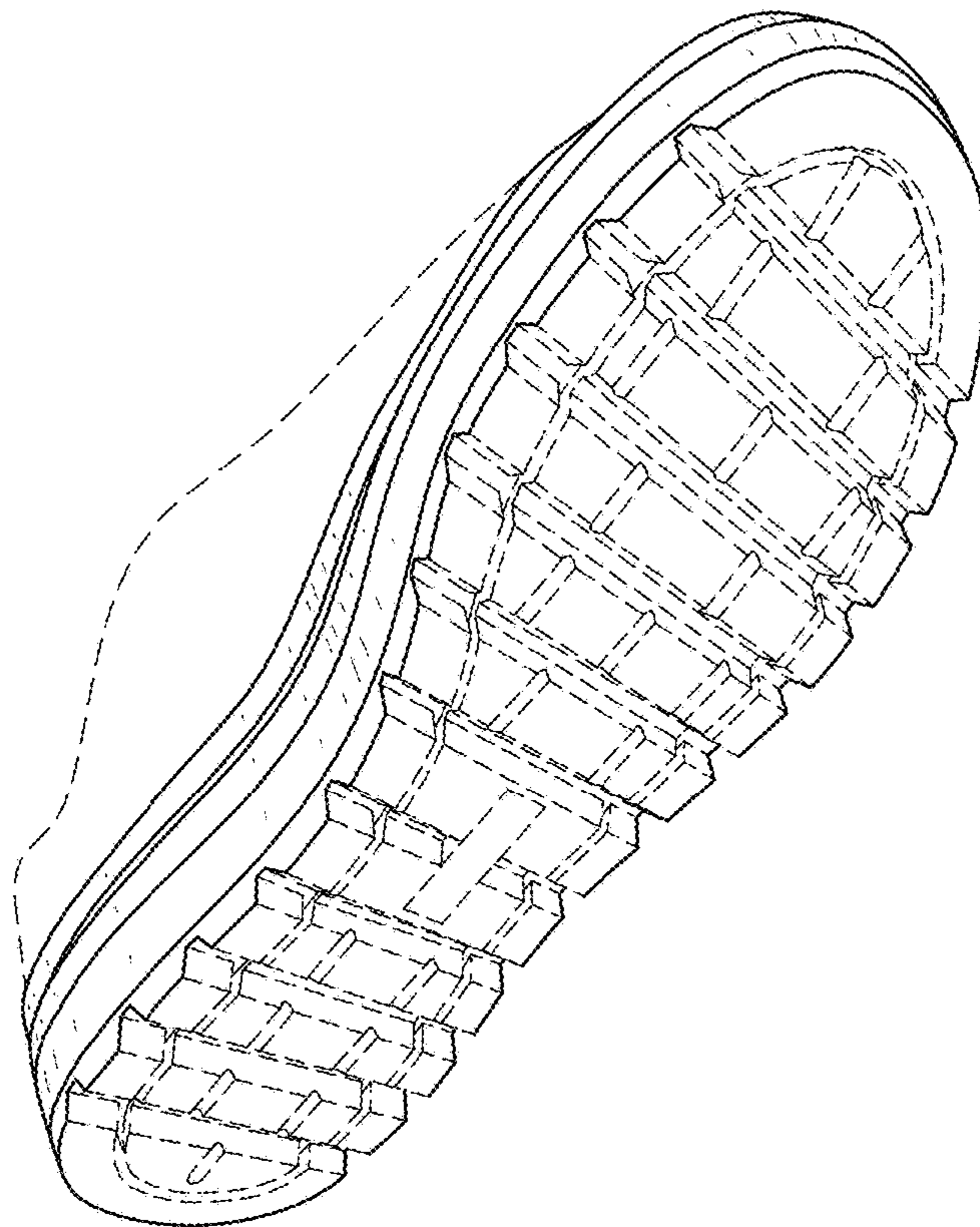
U.S. PATENT DOCUMENTS

D452,769 S 1/2002 Jacobs
 D492,099 S 6/2004 McClaskie
 D495,858 S 9/2004 McClaskie
 D501,706 S 2/2005 McClaskie
 D592,837 S 5/2009 Vico et al.
 D594,194 S 6/2009 Butler
 D603,151 S * 11/2009 Roundhouse D2/951
 D608,534 S * 1/2010 Bullard D2/947
 D611,232 S 3/2010 Della Valle et al.
 D613,482 S 4/2010 Della Valle et al.
 D644,418 S * 9/2011 Yi D2/946
 D653,842 S 2/2012 Weiss
 8,146,266 B2 * 4/2012 Vattes A43B 17/08
 36/10
 D680,309 S 4/2013 Raysse
 D683,937 S 6/2013 Raysse
 D702,024 S 4/2014 Della Valle et al.
 D702,423 S 4/2014 Della Valle et al.
 D723,773 S 3/2015 Raysse
 D724,831 S 3/2015 D'Arienzo
 D730,035 S * 5/2015 Henderson D2/947
 D737,030 S * 8/2015 Bizzo D2/951
 D737,032 S * 8/2015 Bizzo A43B 13/181
 D2/951
 D737,554 S 9/2015 Della Valle et al.
 D752,321 S * 3/2016 Sirel D2/908
 D756,096 S * 5/2016 Bizzo D2/951
 D759,360 S * 6/2016 Zappiello A43B 3/0057
 D2/951
 D771,918 S 11/2016 Engerman
 D772,541 S * 11/2016 Sassi A43B 13/16
 D2/902

D796,796 S 9/2017 Bruno et al.
 D801,658 S * 11/2017 Huard A43C 15/161
 D2/960
 D804,794 S 12/2017 Romero et al.
 D831,318 S * 10/2018 Louboutin A43B 7/081
 D2/957
 D831,319 S * 10/2018 Vasyli A41D 27/24
 D2/960
 D834,795 S * 12/2018 Vasyli A43B 17/08
 D2/947
 D834,800 S 12/2018 Raysse
 D836,313 S 12/2018 Woods et al.
 D837,497 S 1/2019 Ellis
 D838,948 S * 1/2019 Sassi D2/944
 D838,949 S * 1/2019 Sassi A43B 1/0009
 D2/944
 D845,593 S * 4/2019 Wurtz D2/916
 D845,598 S * 4/2019 Loveder D2/957
 2005/0217140 A1 * 10/2005 Melis A43B 7/081
 36/3 B
 2008/0229617 A1 * 9/2008 Johnson A43B 3/0057
 36/102
 2011/0214313 A1 * 9/2011 James A43B 13/141
 36/103
 2013/0104426 A1 * 5/2013 Bell A41D 27/24
 36/103
 2013/0152428 A1 * 6/2013 Bishop A43B 13/16
 36/103
 2014/0015169 A1 * 1/2014 Wan A43B 9/00
 264/328.1
 2014/0041261 A1 * 2/2014 Walker 36/25 R
 2016/0295961 A1 * 10/2016 Hazenberg A43B 1/0009
 2017/0020228 A1 * 1/2017 Scofield A43B 13/181

* cited by examiner

FIG. 1



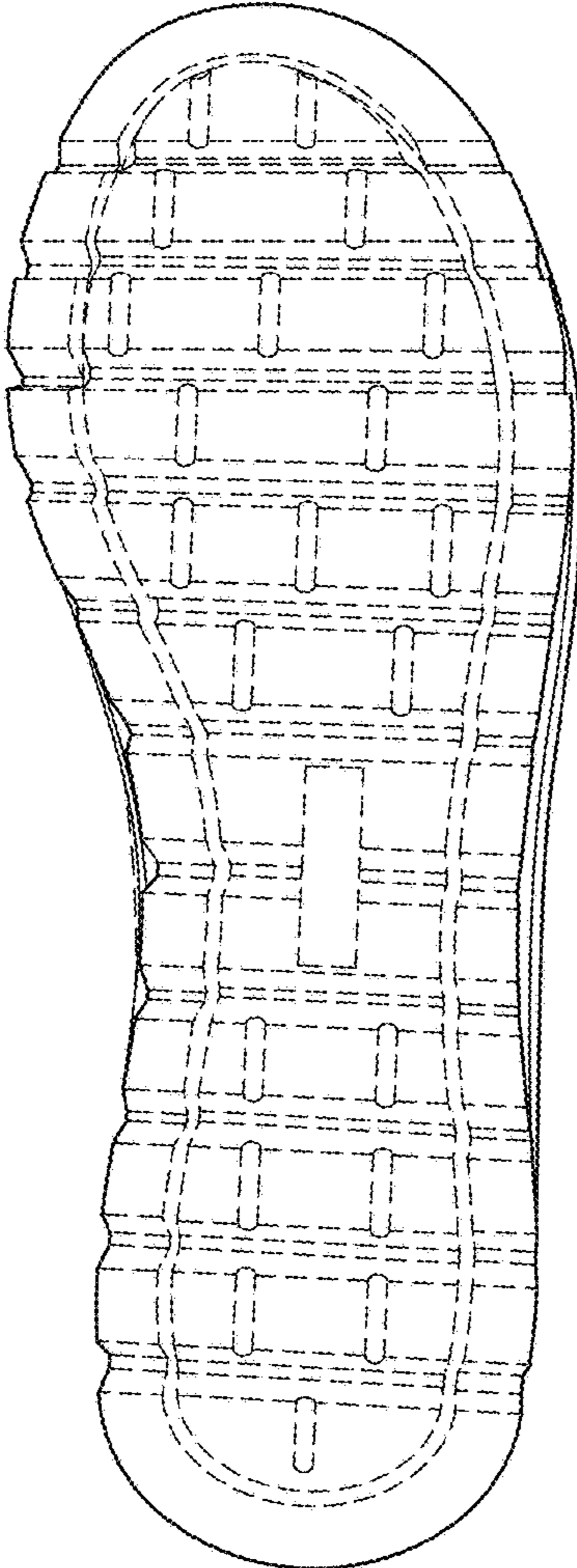


FIG. 2

FIG. 3

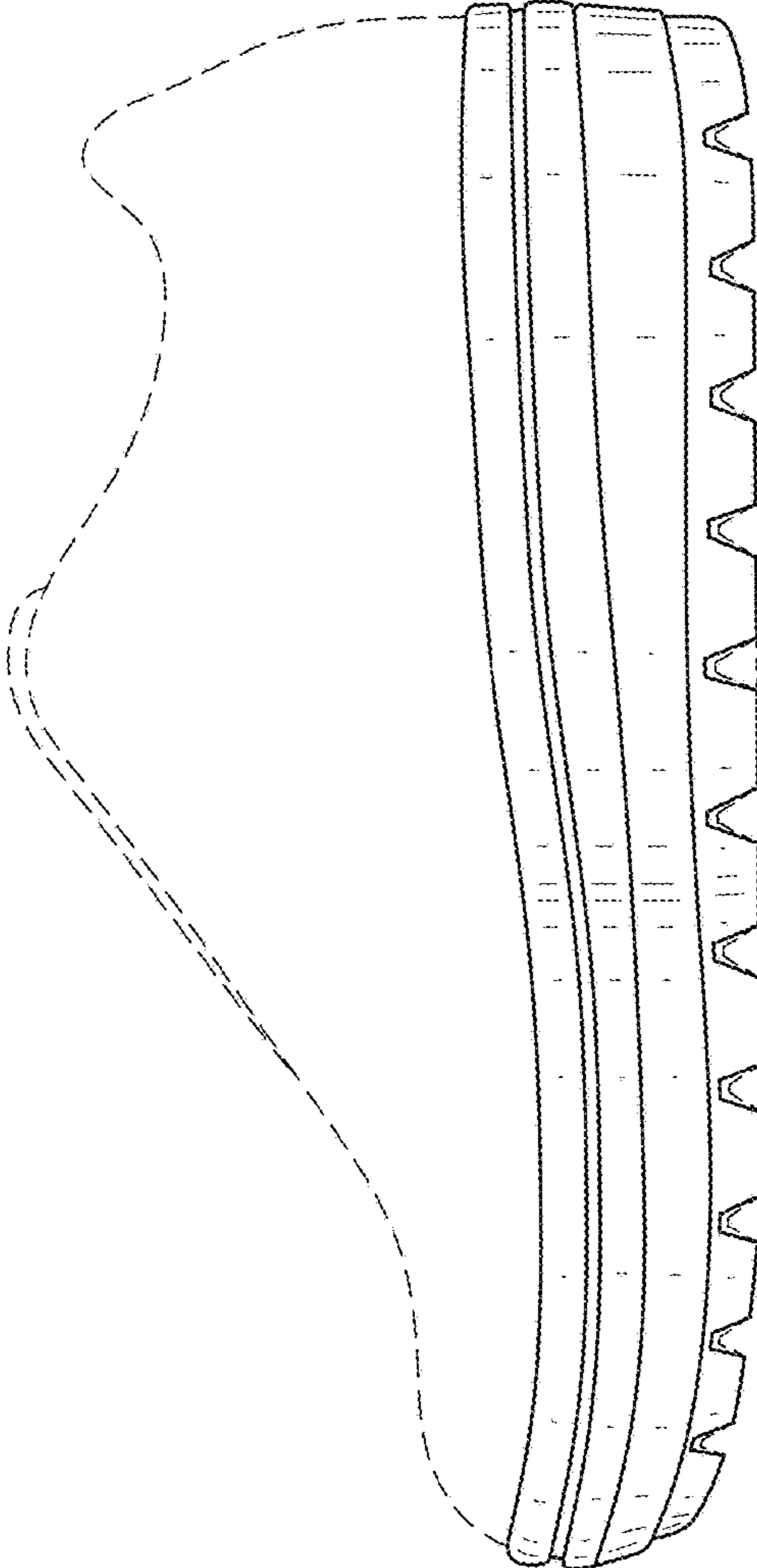


FIG. 4

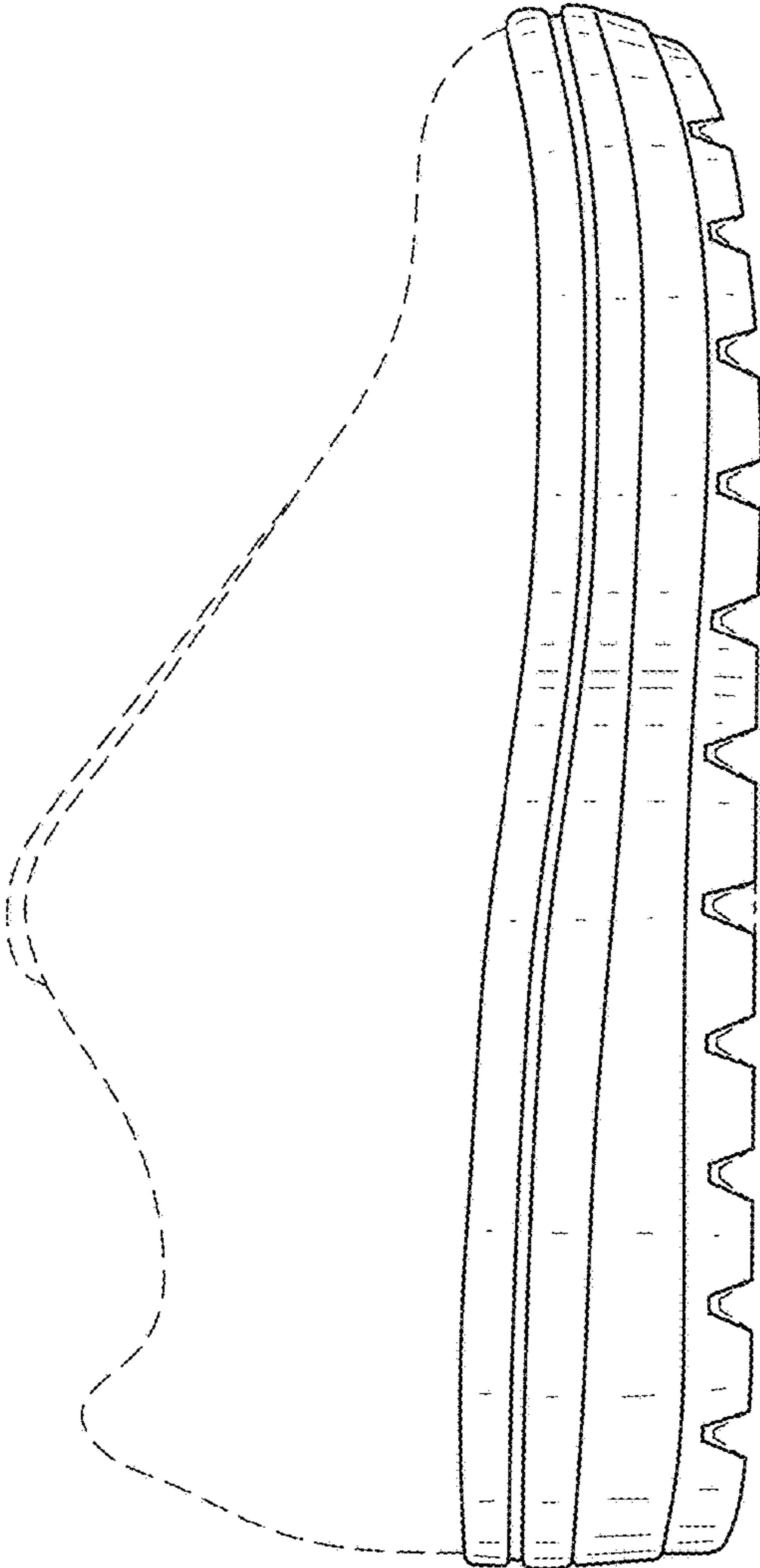


FIG. 6

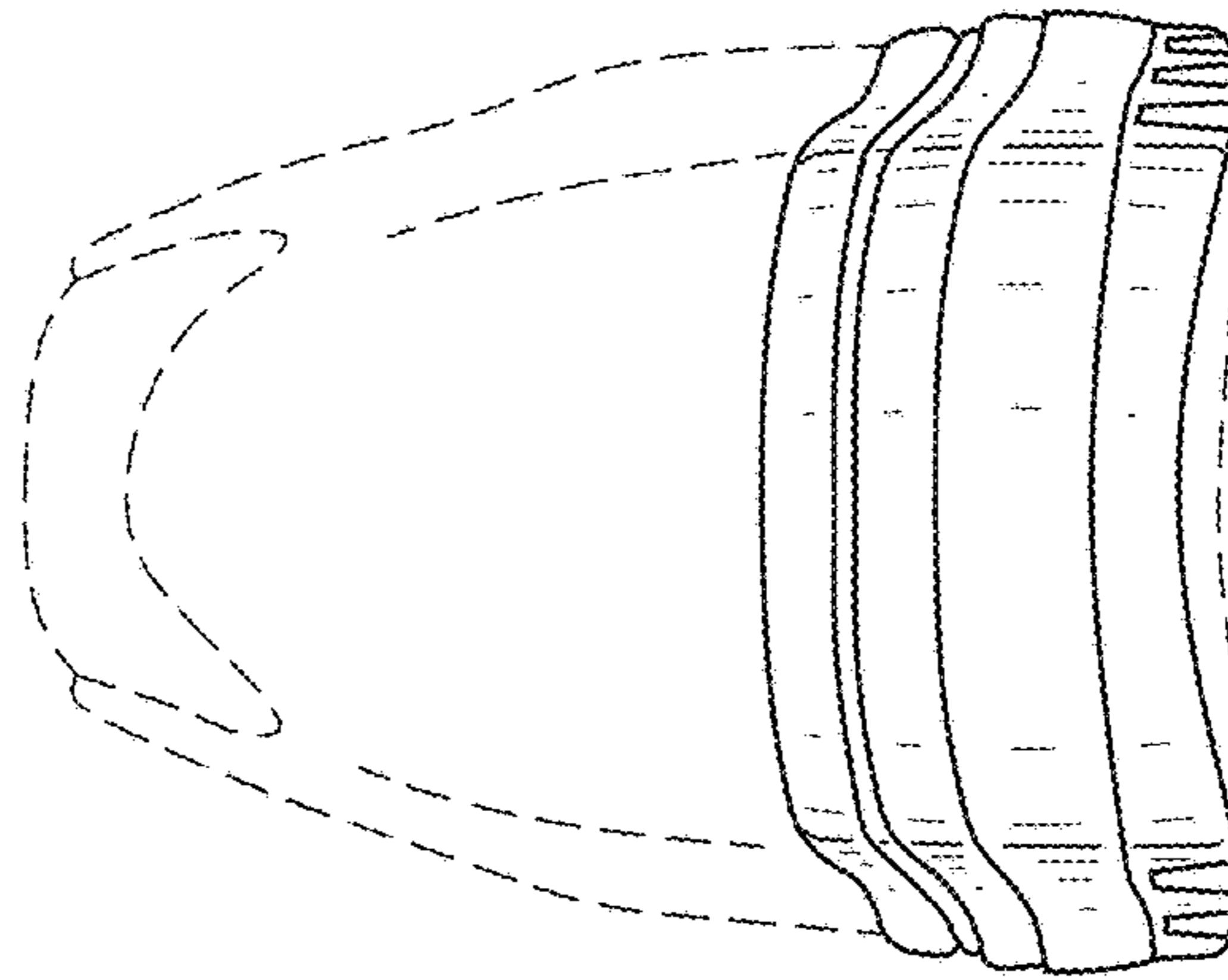


FIG. 5

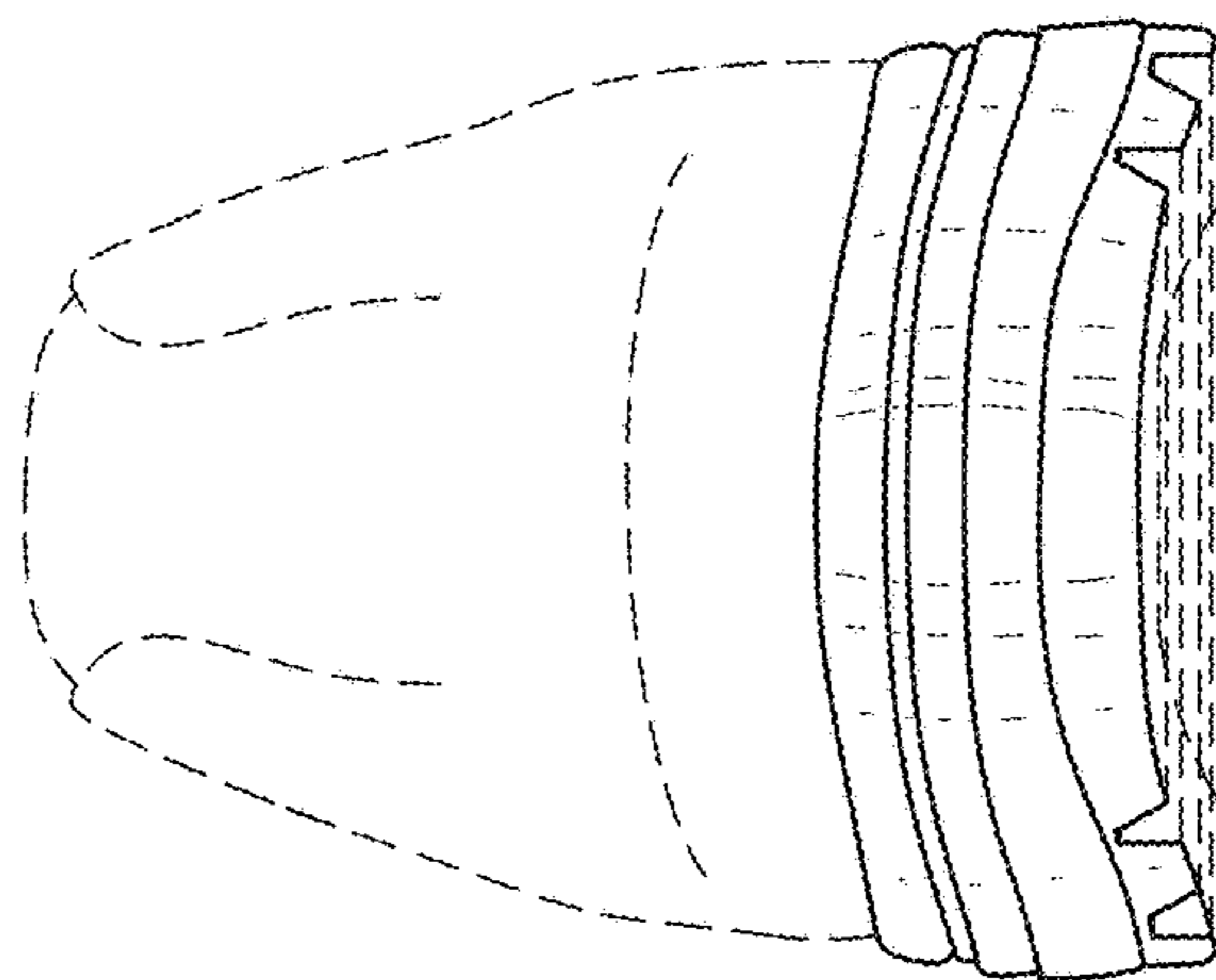


FIG. 7

