



US00D862045S

(12) **United States Design Patent** (10) **Patent No.:** **US D862,045 S**  
**Jamin** (45) **Date of Patent:** **\*\* Oct. 8, 2019**

(54) **PEAK**  
(71) Applicant: **CHRISTIAN DIOR COUTURE**, Paris (FR)  
(72) Inventor: **Mathieu Jamin**, Champaign sur Marne (FR)

D424,788 S \* 5/2000 Davis ..... D2/865  
D510,177 S \* 10/2005 Kim ..... D2/876  
D596,381 S \* 7/2009 Pharis ..... D2/876  
D664,743 S \* 8/2012 Kanellakis ..... D2/893  
D673,352 S \* 1/2013 Robinson ..... D2/876  
D702,421 S \* 4/2014 Bartelt ..... D2/882  
D804,152 S \* 12/2017 Combs ..... D2/876

(\*\*) Term: **15 Years**

(21) Appl. No.: **35/504,353**

(22) Filed: **Sep. 26, 2017**

(80) **Hague Agreement Data**

Int. Filing Date: **Sep. 26, 2017**  
Int. Reg. No.: **DM/099241**  
Int. Reg. Date: **Sep. 26, 2017**  
Int. Reg. Pub. Date: **Jan. 26, 2018**

(51) **LOC (12) Cl.** ..... **02-03**

(52) **U.S. Cl.**  
USPC ..... **D2/876**

(58) **Field of Classification Search**  
USPC ..... D2/865, 866, 871-877, 882, 891-895, D2/946, 976  
CPC ..... G09F 2003/0208; G09F 2003/0264; G09F 2003/0272; G09F 3/02; A43C 7/00; A43C 9/00; A43C 9/02; A42C 5/00; A43B 23/24; A43B 3/0078; A44B 11/24; A44C 17/0208; A44C 5/0053; A44C 5/12; A44C 5/147; A44C 5/22; A44C 5/24  
See application file for complete search history.

(56) **References Cited**

**U.S. PATENT DOCUMENTS**

D282,406 S \* 2/1986 Levy ..... D2/876  
D288,026 S \* 2/1987 Laughlin ..... D2/871  
5,131,094 A \* 7/1992 Ackerman ..... A61F 9/045  
2/12  
D336,763 S \* 6/1993 Oehlschlaeger ..... D2/876  
5,615,414 A \* 4/1997 Landis ..... A42B 1/22  
2/12  
D423,194 S \* 4/2000 Shwartz ..... D2/876

**OTHER PUBLICATIONS**

Clear Red Plastic Dealer's Visor, reviewed on Amazon Apr. 2017, viewed Oct. 25, 2018, available on internet, URL: [https://www.amazon.com/Clear-Plastic-Dealers-Visor-Accessory/dp/B004X0QB6K/ref=pd\\_rhf\\_dp\\_s\\_all\\_spx\\_wp\\_0\\_4?encoding=UTF8&pd\\_rd\\_i=B004X0QB6K&pd\\_rd\\_r=86436408-0222-4f5c-9f8e-67f1b66462a5&pd\\_rd\\_w=ZVwdM&pd\\_rd\\_w.\\*](https://www.amazon.com/Clear-Plastic-Dealers-Visor-Accessory/dp/B004X0QB6K/ref=pd_rhf_dp_s_all_spx_wp_0_4?encoding=UTF8&pd_rd_i=B004X0QB6K&pd_rd_r=86436408-0222-4f5c-9f8e-67f1b66462a5&pd_rd_w=ZVwdM&pd_rd_w.*)  
Luxury High End France Club 1 Visor, available on Amazon Jan. 2018, viewed Oct. 25, 2018, URL: [https://www.amazon.com/Transparent-branding-elastic-sunglass-EYEWEAR/dp/B07DXLJ4TB/ref=pd\\_rhf\\_dp\\_s\\_all\\_spx\\_wp\\_0\\_3?encoding=UTF8&pd\\_rd\\_i=B07DXLJ4TB&pd\\_rd\\_r=3f19c004-67ad-4220-840d-502b78c10f2e&pd\\_rd\\_w=SOuRc&pd\\_rd\\_wg=HZVPI&pf\\_r.\\*](https://www.amazon.com/Transparent-branding-elastic-sunglass-EYEWEAR/dp/B07DXLJ4TB/ref=pd_rhf_dp_s_all_spx_wp_0_3?encoding=UTF8&pd_rd_i=B07DXLJ4TB&pd_rd_r=3f19c004-67ad-4220-840d-502b78c10f2e&pd_rd_w=SOuRc&pd_rd_wg=HZVPI&pf_r.*)

\* cited by examiner

*Primary Examiner* — Jennifer L Watkins

(57) **CLAIM**

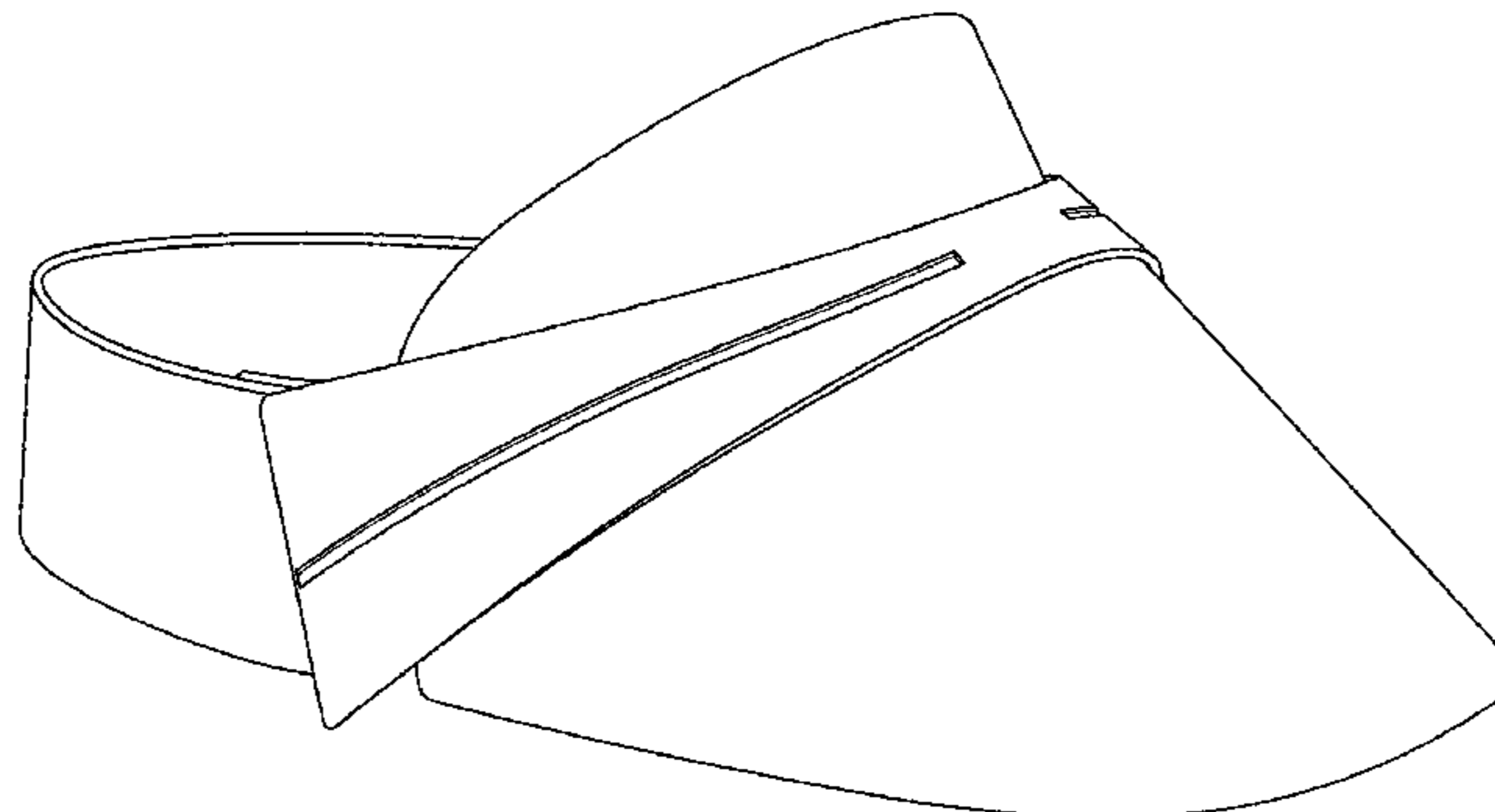
The ornamental design for a peak, as shown and described.

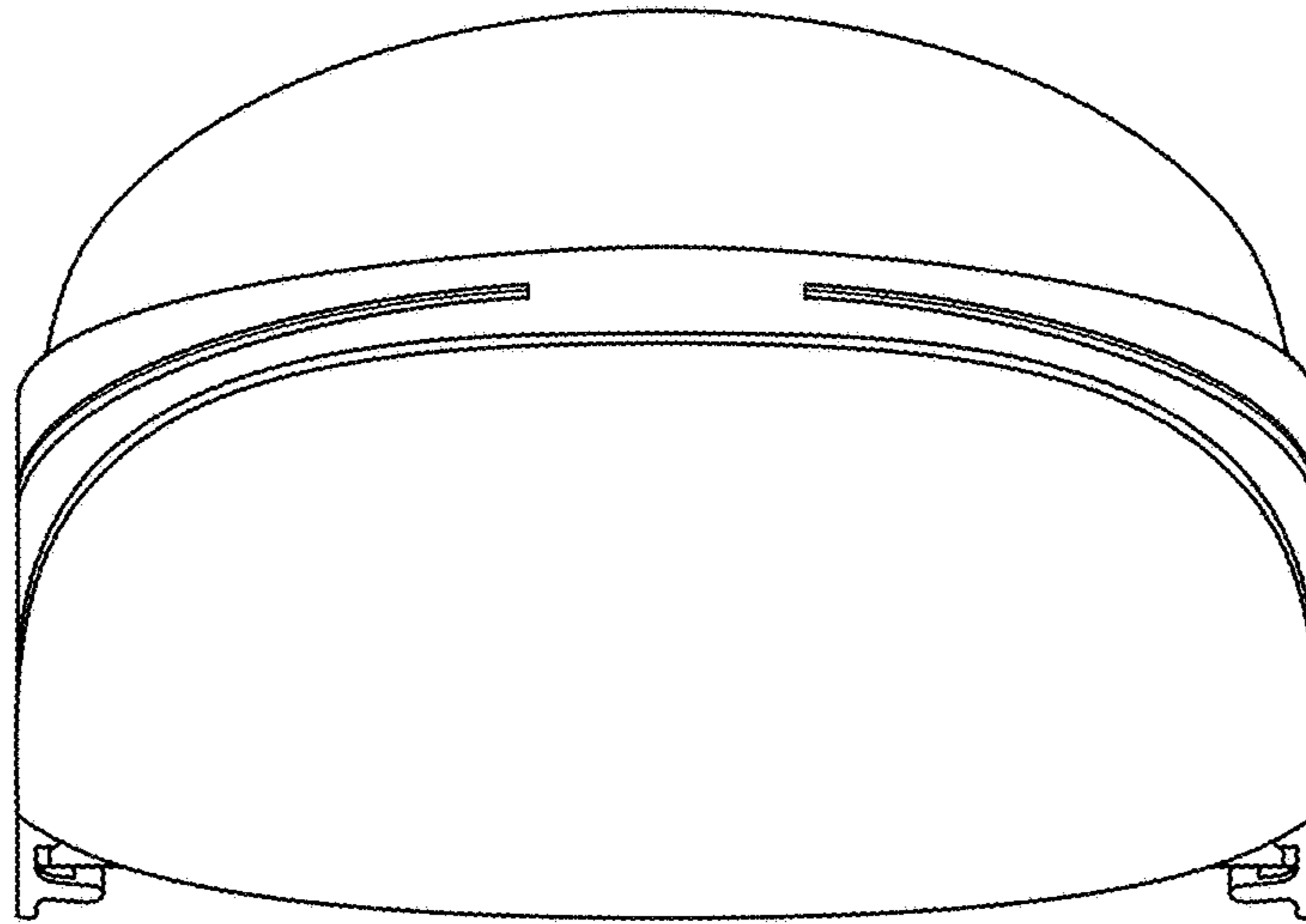
**DESCRIPTION**

- 1. Peak
- 1.1 : Front
- 1.2 : Back
- 1.3 : Top
- 1.4 : Bottom
- 1.5 : Perspective
- 1.6 : Right
- 1.7 : Left

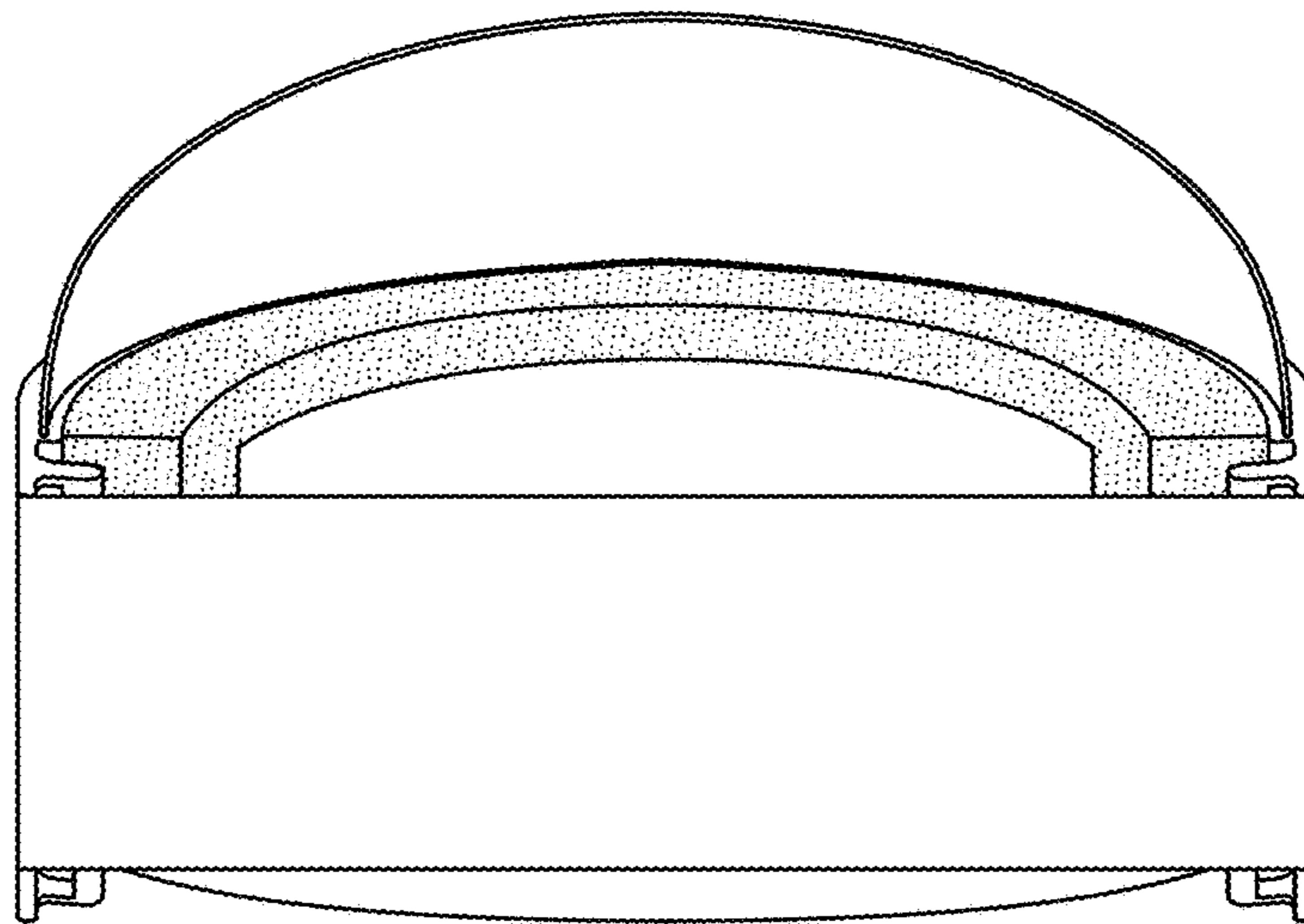
The broken lines in the drawings are for the purpose of depicting portions of the peak and form no part of the claim.

**1 Claim, 5 Drawing Sheets**

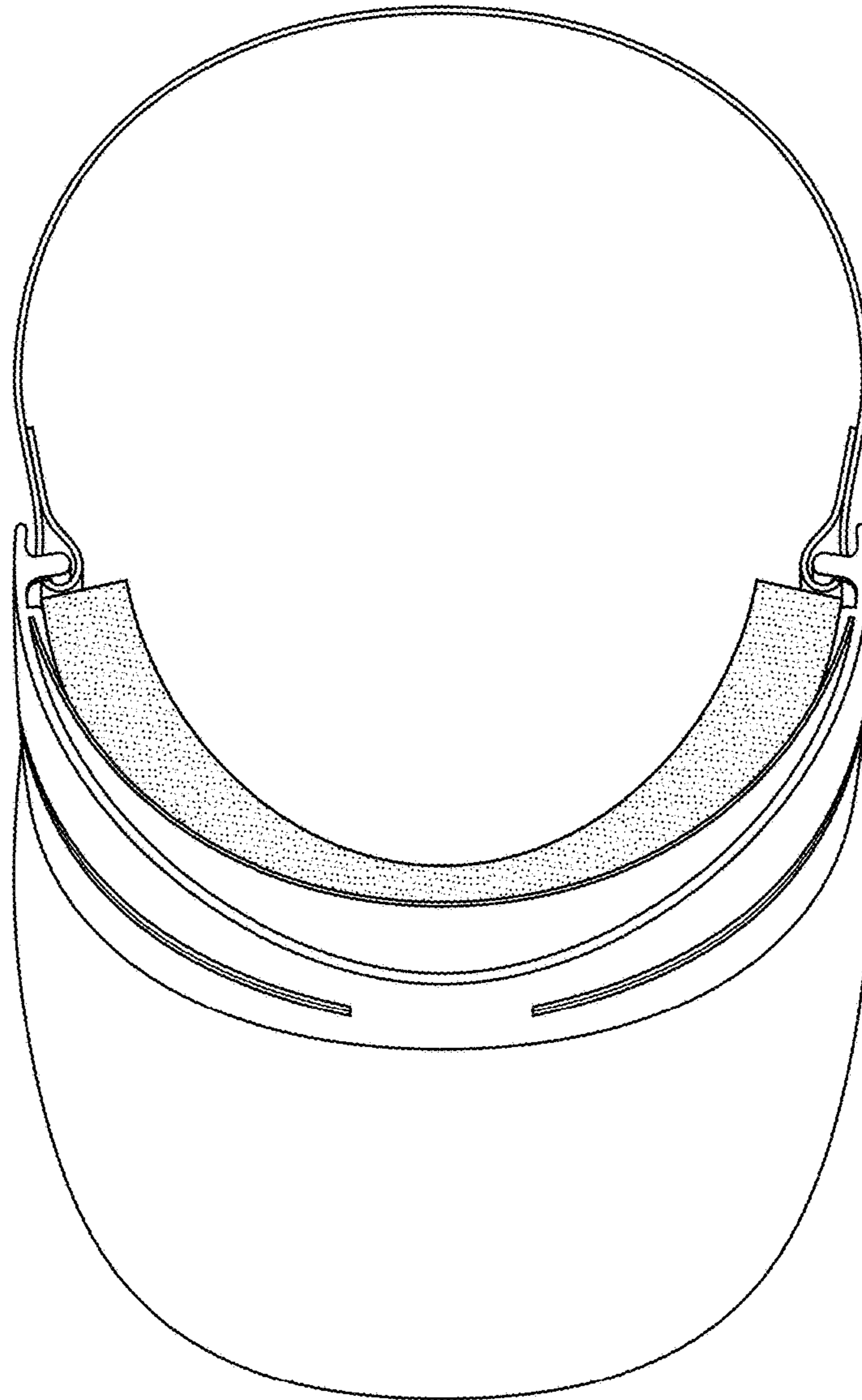




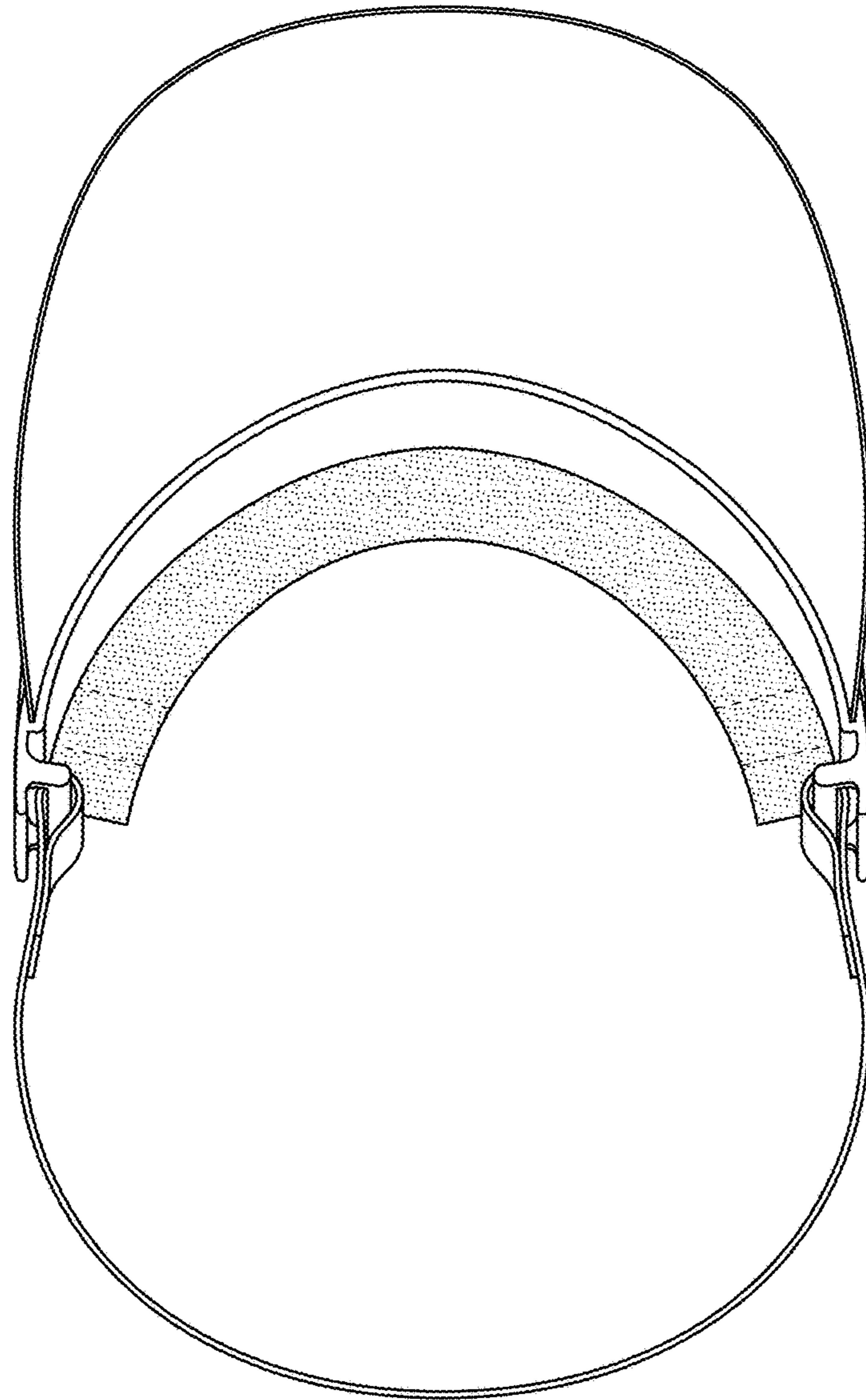
1.1



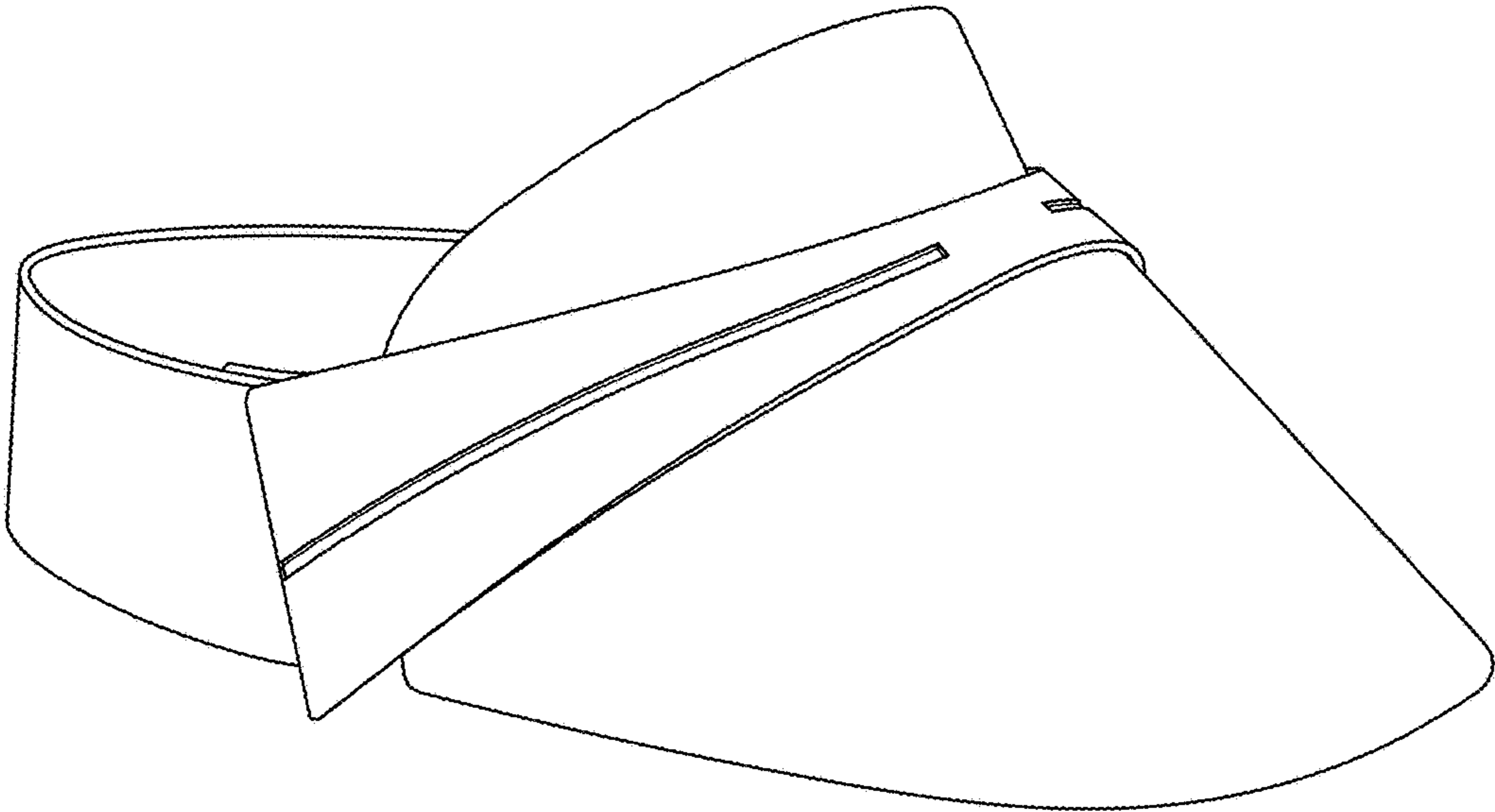
1.2



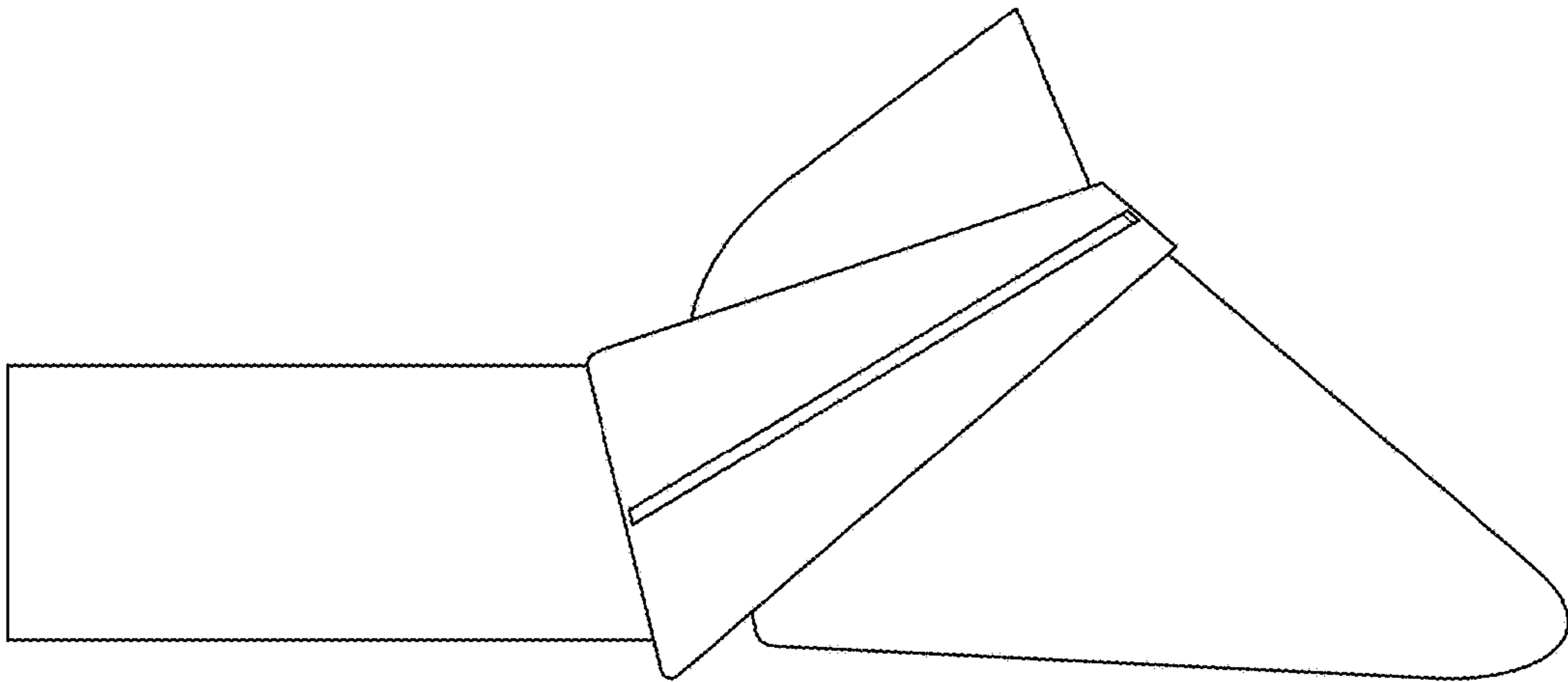
1.3



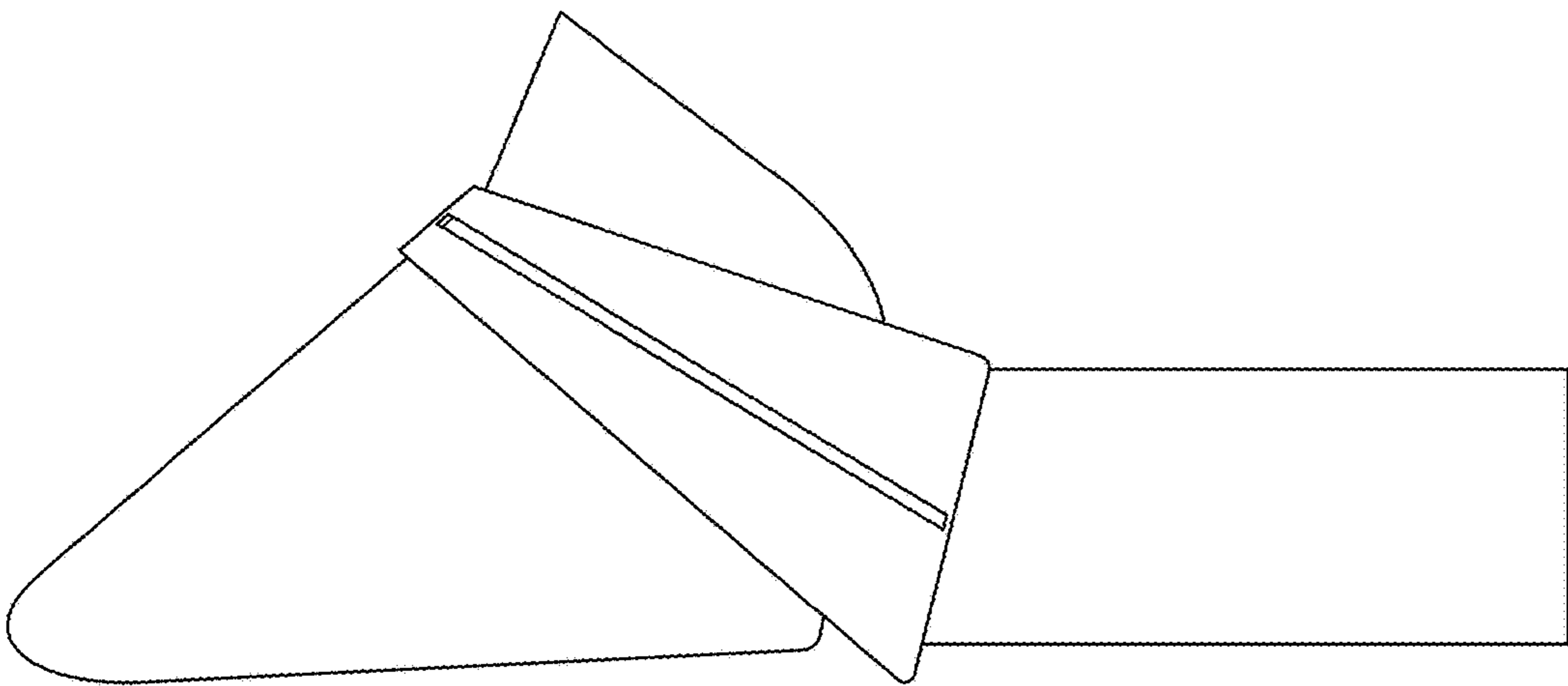
1.4



1.5



1.6



1.7