

US00D862043S

(12) **United States Design Patent** (10) **Patent No.:** **US D862,043 S**
Aizawa (45) **Date of Patent:** **** Oct. 8, 2019**

(54) **BLOUSON**

(71) Applicant: **YAMATO HOLDINGS CO., LTD.**,
Tokyo (JP)

(72) Inventor: **Yosuke Aizawa**, Tokyo (JP)

(73) Assignee: **YAMATO HOLDINGS CO., LTD.**,
Tokyo (JP)

(**) Term: **15 Years**

(21) Appl. No.: **29/614,268**

(22) Filed: **Aug. 17, 2017**

(51) **LOC (12) Cl.** **02-02**

(52) **U.S. Cl.**
USPC **D2/828**

(58) **Field of Classification Search**

USPC D2/828, 839, 731, 742, 750, 724, 728,
D2/840, 847, 999, 771, 782, 791, 829,
D2/831, 857, 706-708, 732, 751-753,
D2/830, 832-838, 848, 853, 739; D5/53,
D5/55, 59, 61; D29/101.3; 2/77, 84-86,
2/93, 108, 115, 69; D3/285
CPC A41C 3/0057; A41C 3/08; A41C 3/12;
A41D 1/18; A41D 13/0007; A41D
13/0015; A41D 13/0017; A41D 3/00;
A41D 3/02; A41D 3/04

See application file for complete search history.

(56) **References Cited**

U.S. PATENT DOCUMENTS

D784,658 S *	4/2017	Adrovic	D2/731
D800,419 S *	10/2017	Ingram	D2/728
D814,145 S *	4/2018	Blanchard	D2/840
D819,929 S *	6/2018	Mong	D2/731
D827,984 S *	9/2018	Van Sisseren	D2/828

* cited by examiner

Primary Examiner — Wan Laymon

Assistant Examiner — Mark Booker

(74) *Attorney, Agent, or Firm* — Merchant Gould P.C.

(57) **CLAIM**

The ornamental design for a blouson, as shown and described.

DESCRIPTION

FIG. 1 is a front view of a blouson showing my design thereof;

FIG. 2 is a back view thereof;

FIG. 3 is a left side view thereof;

FIG. 4 is a right side view thereof;

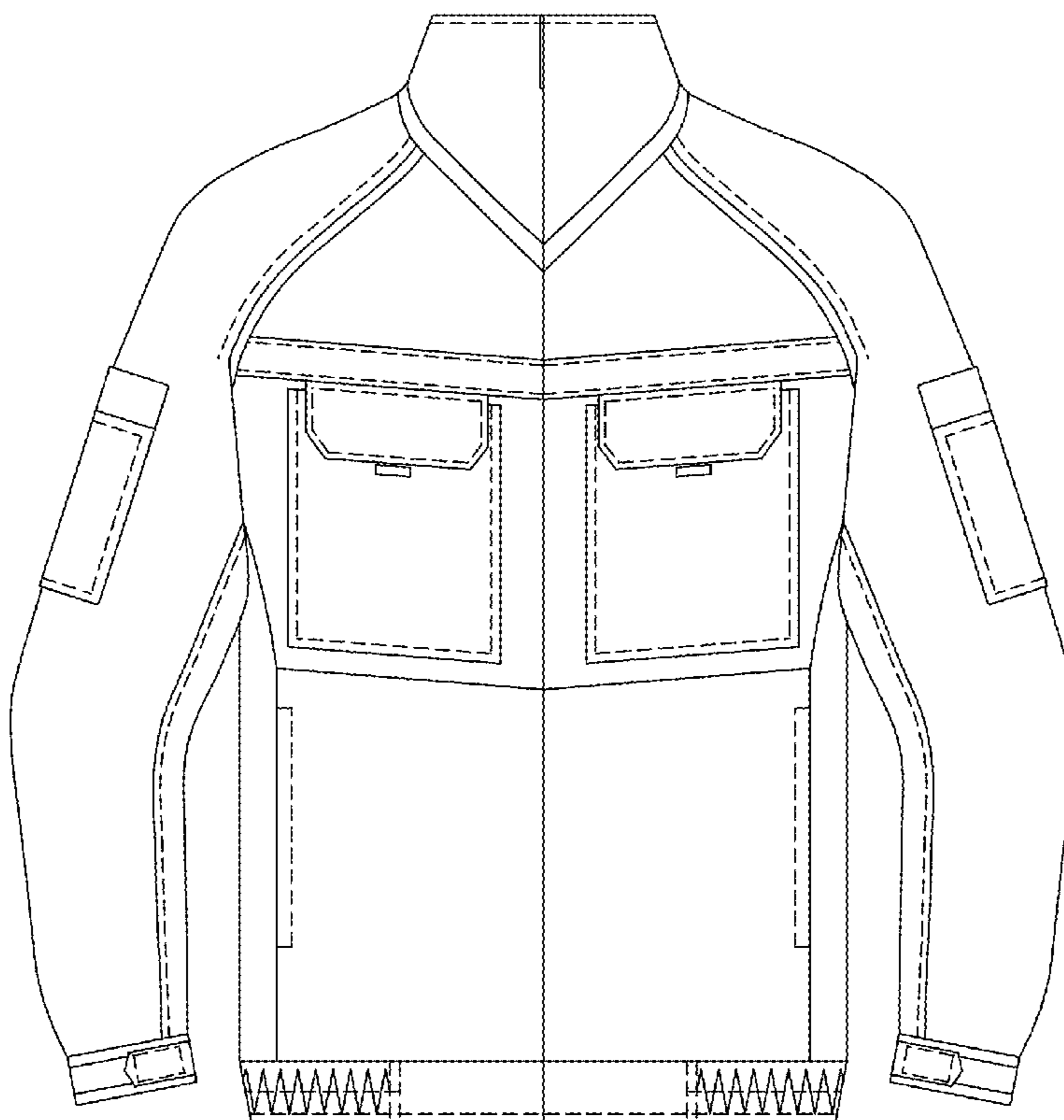
FIG. 5 is a top view thereof;

FIG. 6 is a bottom view thereof; and,

FIG. 7 is a perspective view thereof.

The broken lines shown in the drawings are for illustrative purposes only and form no part of the claimed design.

1 Claim, 5 Drawing Sheets



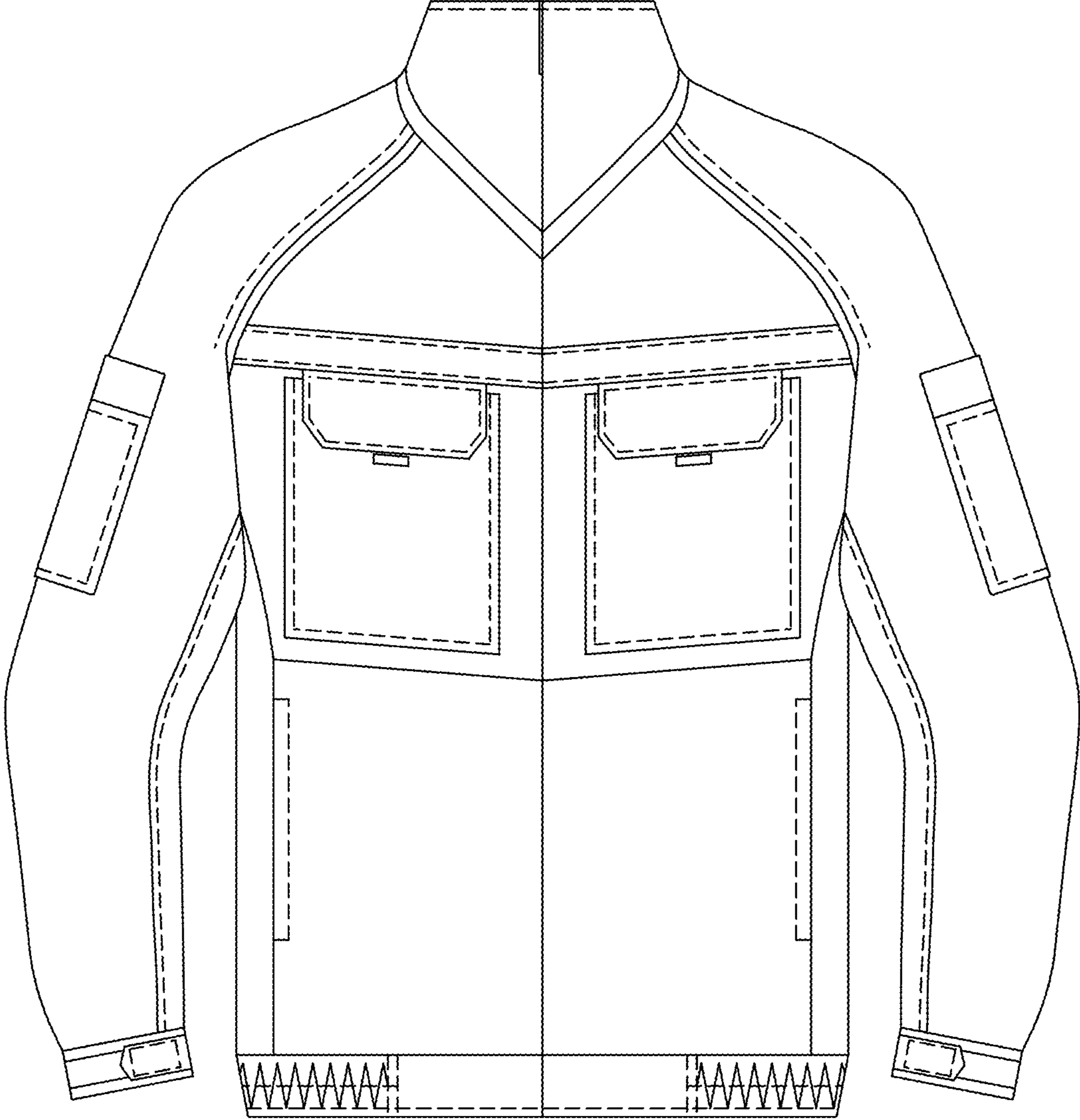


FIG. 1

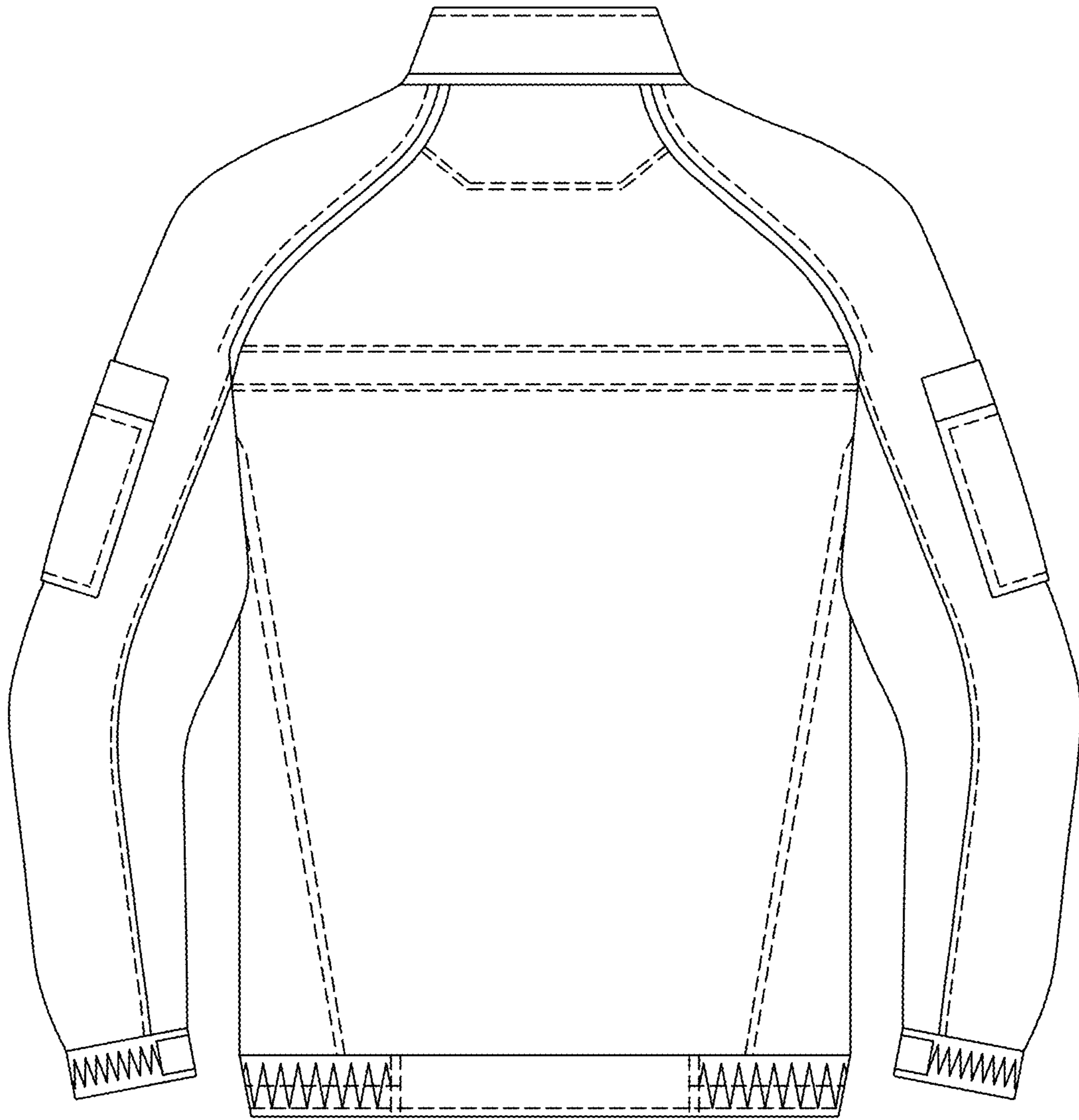


FIG. 2



FIG. 3



FIG. 4

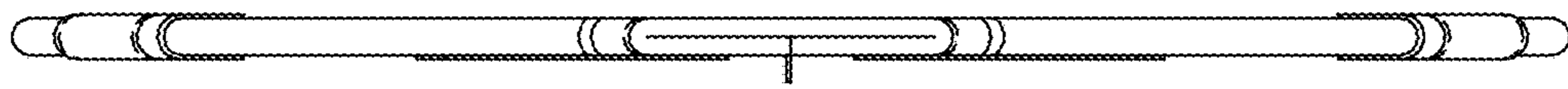


FIG. 5

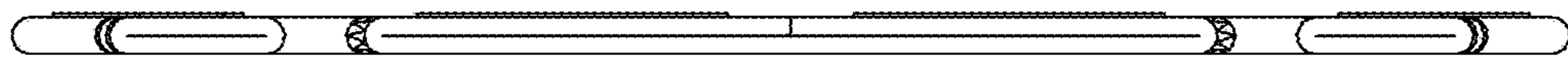


FIG. 6

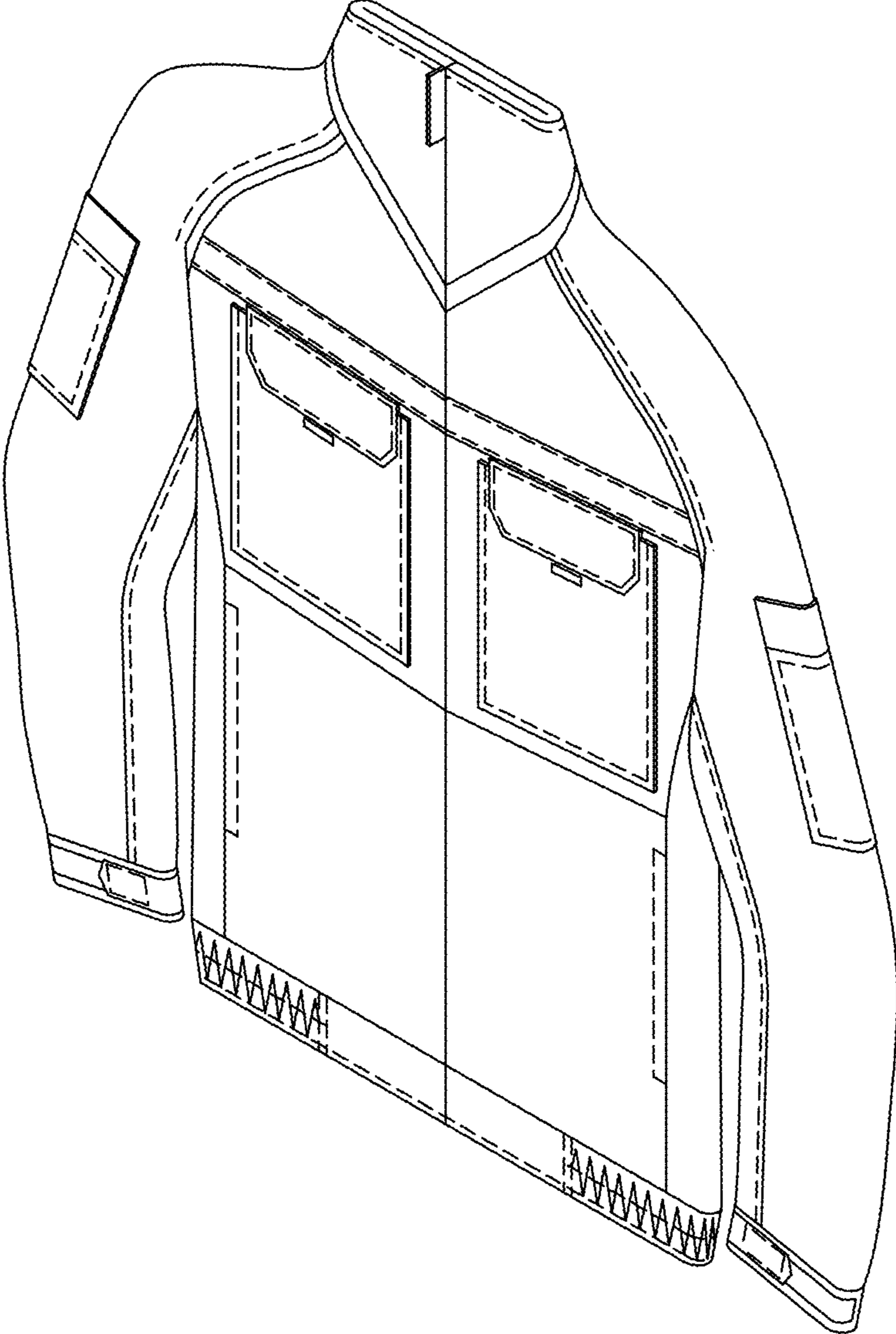


FIG. 7