



US00D862029S

(12) **United States Design Patent** (10) **Patent No.:** **US D862,029 S**
Blakely (45) **Date of Patent:** **** Oct. 1, 2019**

(54) **TONGUE JACK COVER**
(71) Applicant: **Brandon Wayne Blakely**, Burlington, NC (US)
(72) Inventor: **Brandon Wayne Blakely**, Burlington, NC (US)
(73) Assignee: **CAMCO MANUFACTURING, INC.**, Greensboro, NC (US)
(**) Term: **15 Years**
(21) Appl. No.: **29/631,811**
(22) Filed: **Jan. 3, 2018**
(51) **LOC (12) Cl.** **12-05**
(52) **U.S. Cl.**
USPC **D34/35**
(58) **Field of Classification Search**
USPC D34/31, 1; D12/106; D7/509; D11/143, D11/148, 152, 154; D3/307, 308, 309; D19/81, 85
CPC B60S 9/12; B60S 9/06; B60S 9/02; B66F 7/00; B66F 7/02; B66F 9/06; B66F 9/00; B66F 5/00; B66F 5/04; B66F 3/25; B66F 3/30; B66F 3/12; B66F 3/18; B66F 3/24; B66F 3/28; B66F 3/247
See application file for complete search history.

D349,800 S * 8/1994 Chambers D12/106
D390,503 S * 2/1998 Gleason D12/106
D462,838 S * 9/2002 Van Landingham D3/304
D566,366 S * 4/2008 Aguilar D34/1
D574,192 S * 8/2008 Schosser D7/509
D625,067 S * 10/2010 Shannon D34/1
7,988,011 B1 * 8/2011 Guevara B65F 1/02
220/484
D731,729 S * 6/2015 Korner D34/1
D756,588 S * 5/2016 Angel D34/31
D790,796 S * 6/2017 Alanko D34/31
D821,144 S * 6/2018 Fairchild, Jr. D7/509
D826,504 S * 8/2018 Garcia D32/74
D831,288 S * 10/2018 Thuma D34/1
D839,678 S * 2/2019 Bruner D7/531

* cited by examiner

Primary Examiner — Cynthia Ramirez
(74) *Attorney, Agent, or Firm* — Tuggle Duggins P.A.; Blake Hurt

(56) **References Cited**
U.S. PATENT DOCUMENTS
3,288,435 A * 11/1966 Starkey B60S 9/08
254/420
D298,676 S * 11/1988 Chambers D12/106
5,011,119 A * 4/1991 Harrington B60D 1/66
254/420
D327,969 S * 7/1992 Budrow D34/31

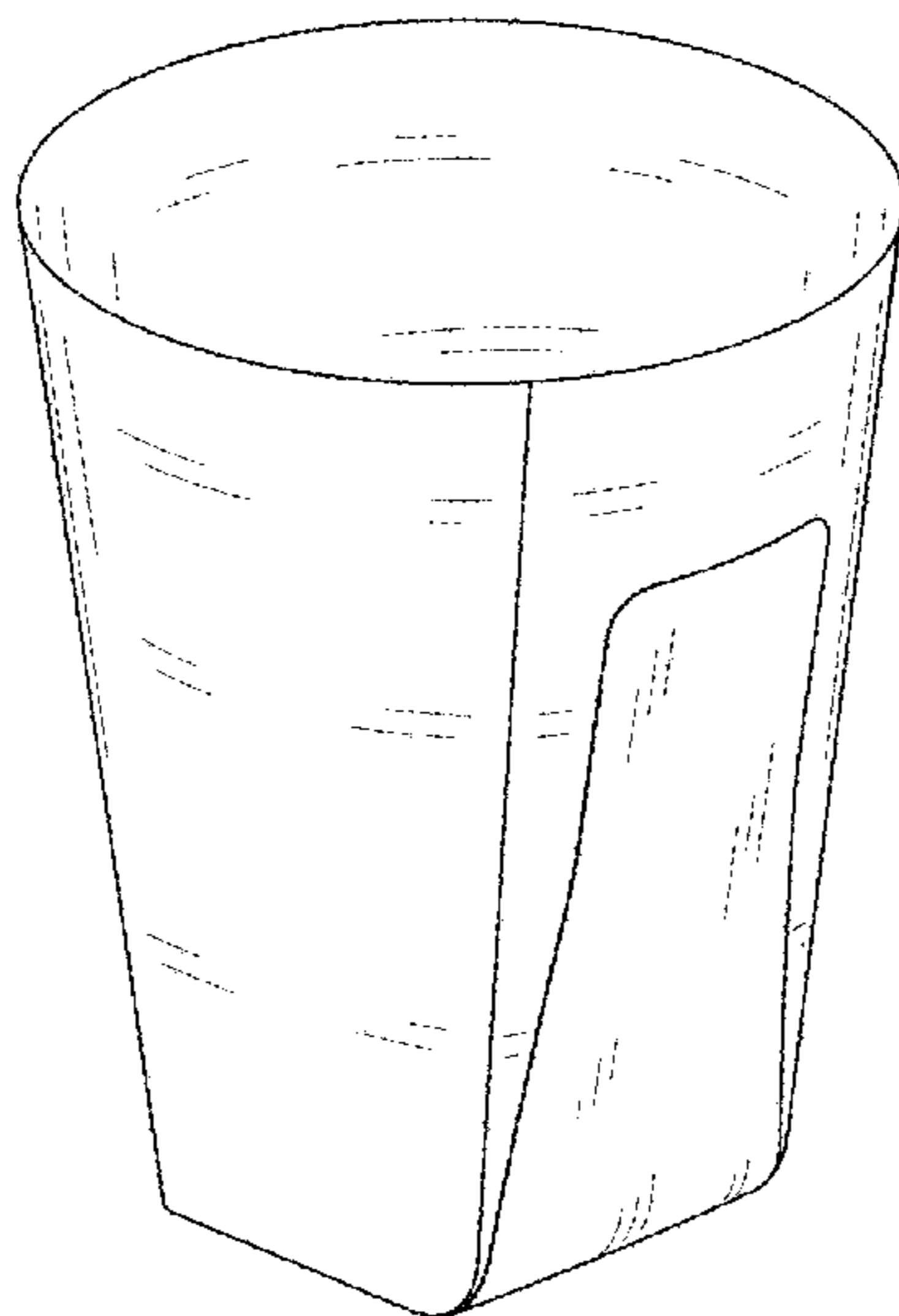
(57) **CLAIM**

The ornamental design for a tongue jack cover, as shown and described.

DESCRIPTION

FIG. 1 is a bottom, front, right side perspective view of a tongue jack cover showing my new design; FIG. 2 is a top, front, left side perspective view thereof; FIG. 3 is a front elevational view thereof; FIG. 4 is a left side elevational view thereof, the right side elevational view is a mirror image thereof; FIG. 5 is a back elevational view thereof; FIG. 6 is a bottom plan view thereof; and, FIG. 7 is a top plan view thereof.

1 Claim, 7 Drawing Sheets



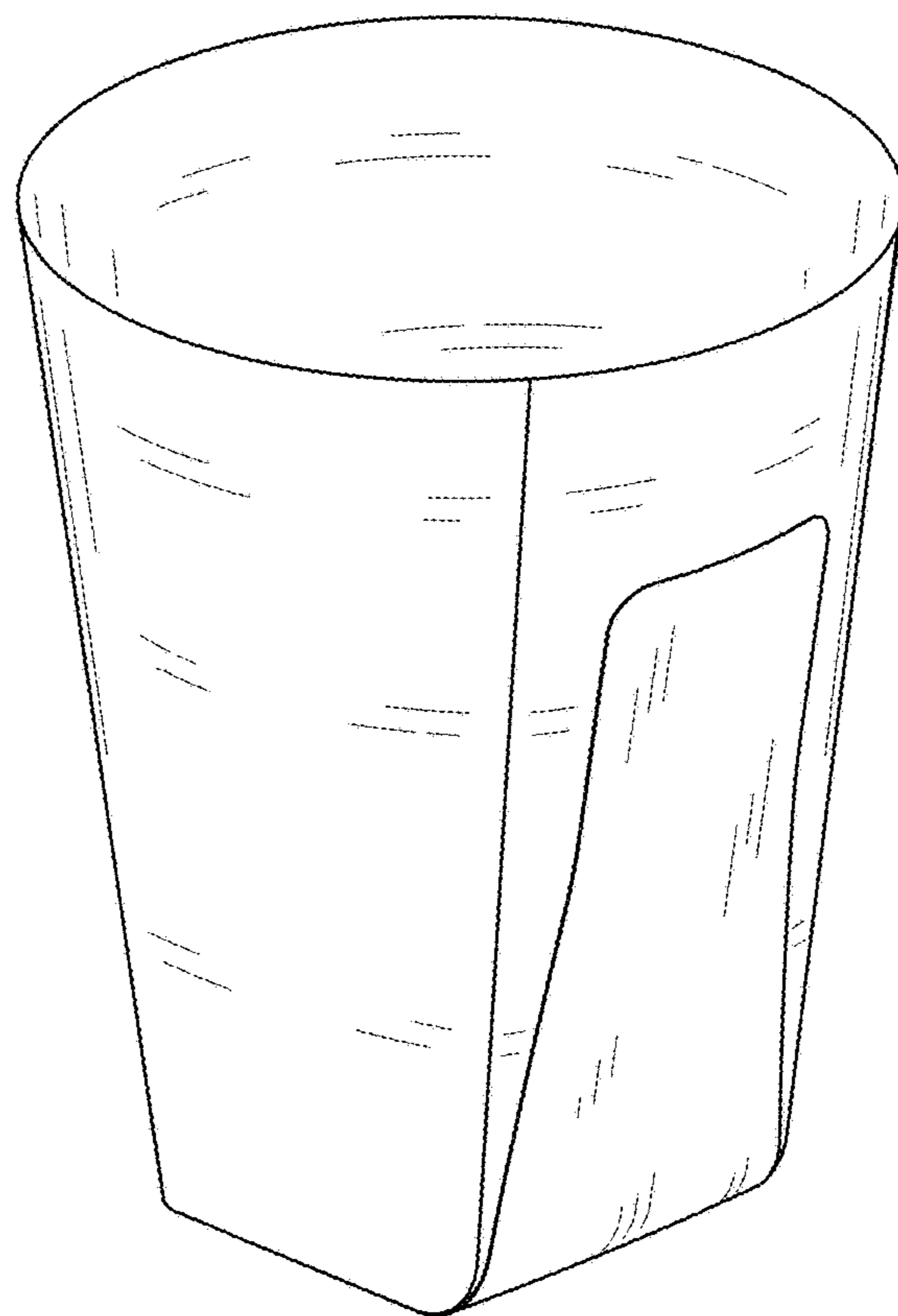


FIG. 1

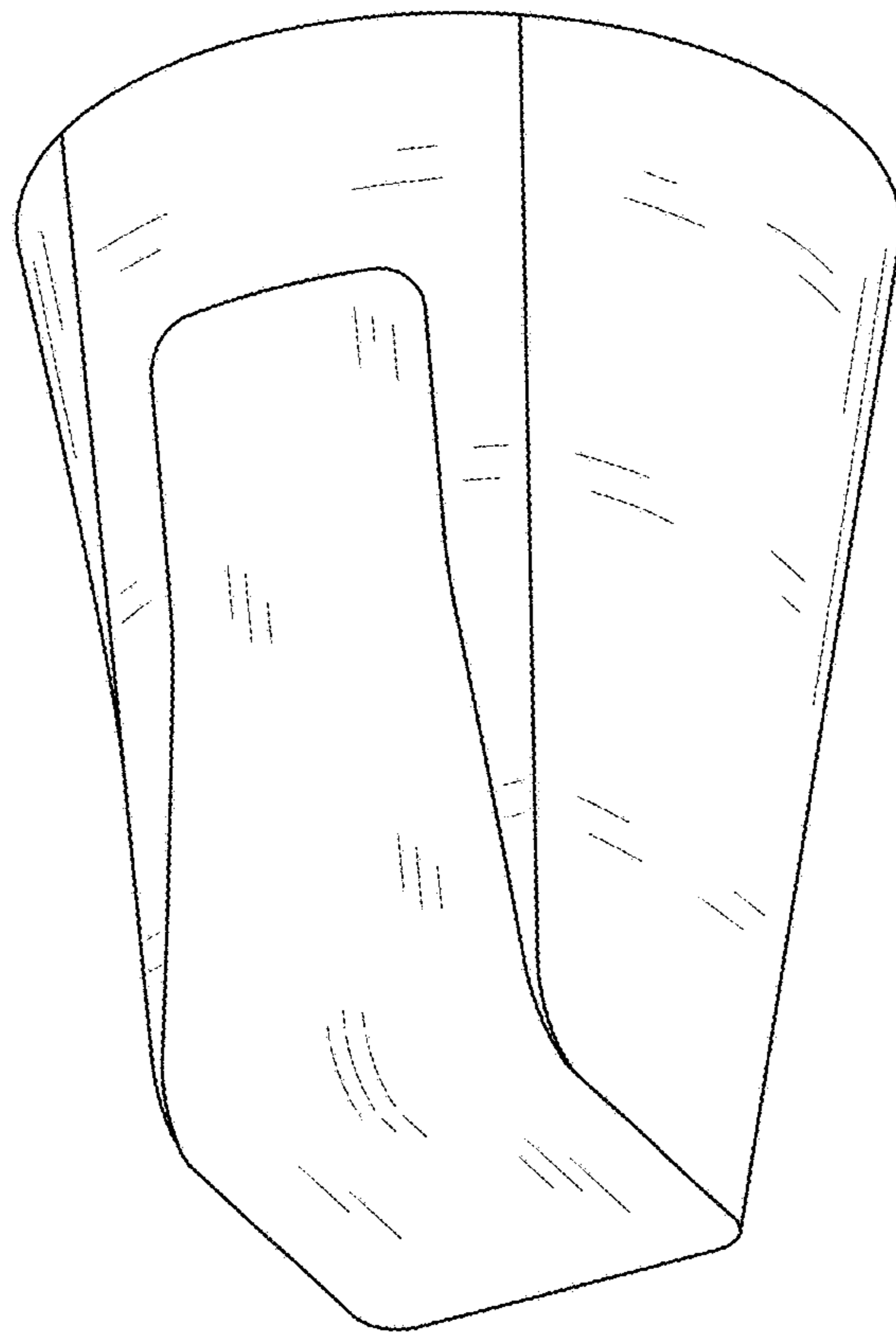


FIG. 2

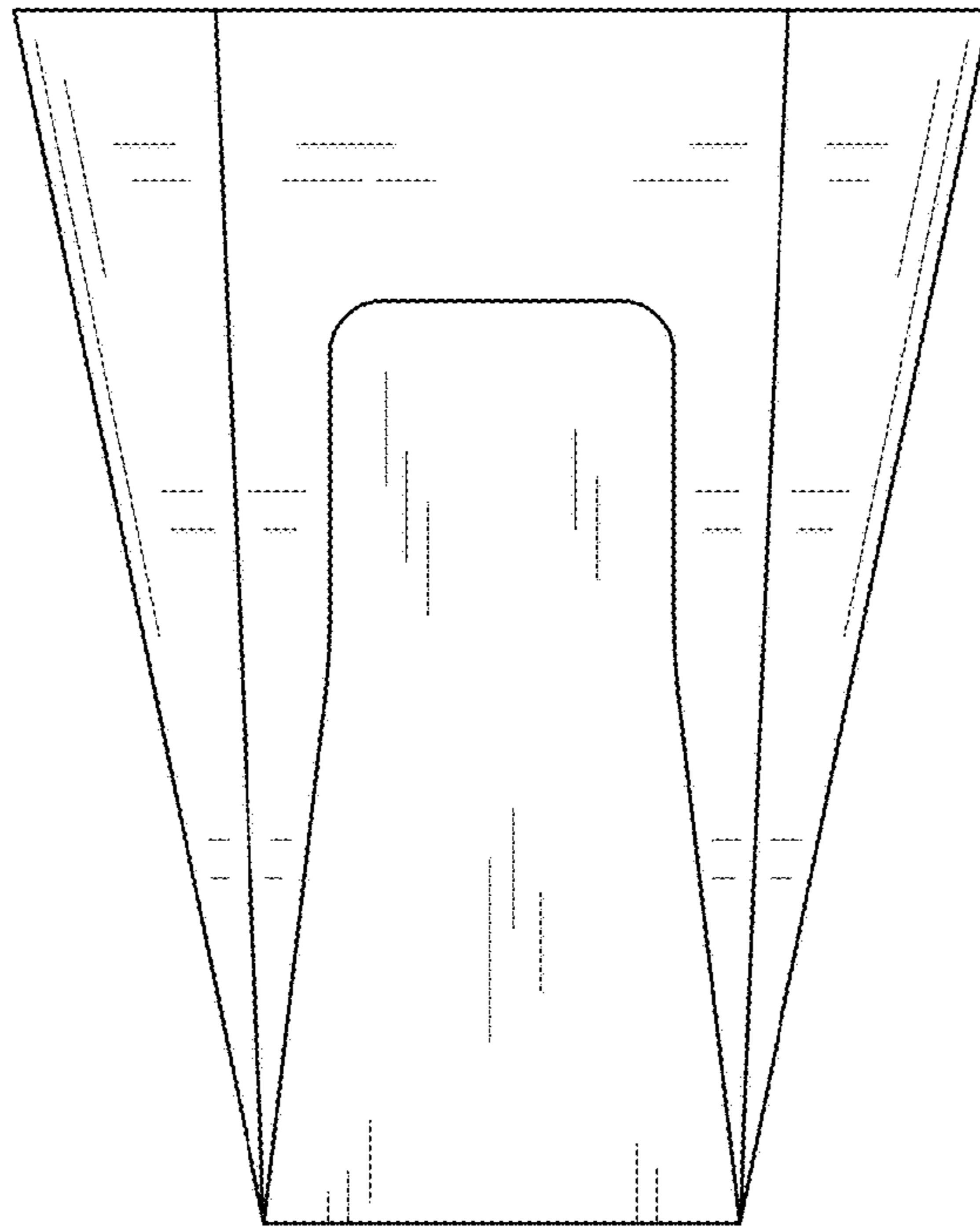


FIG. 3

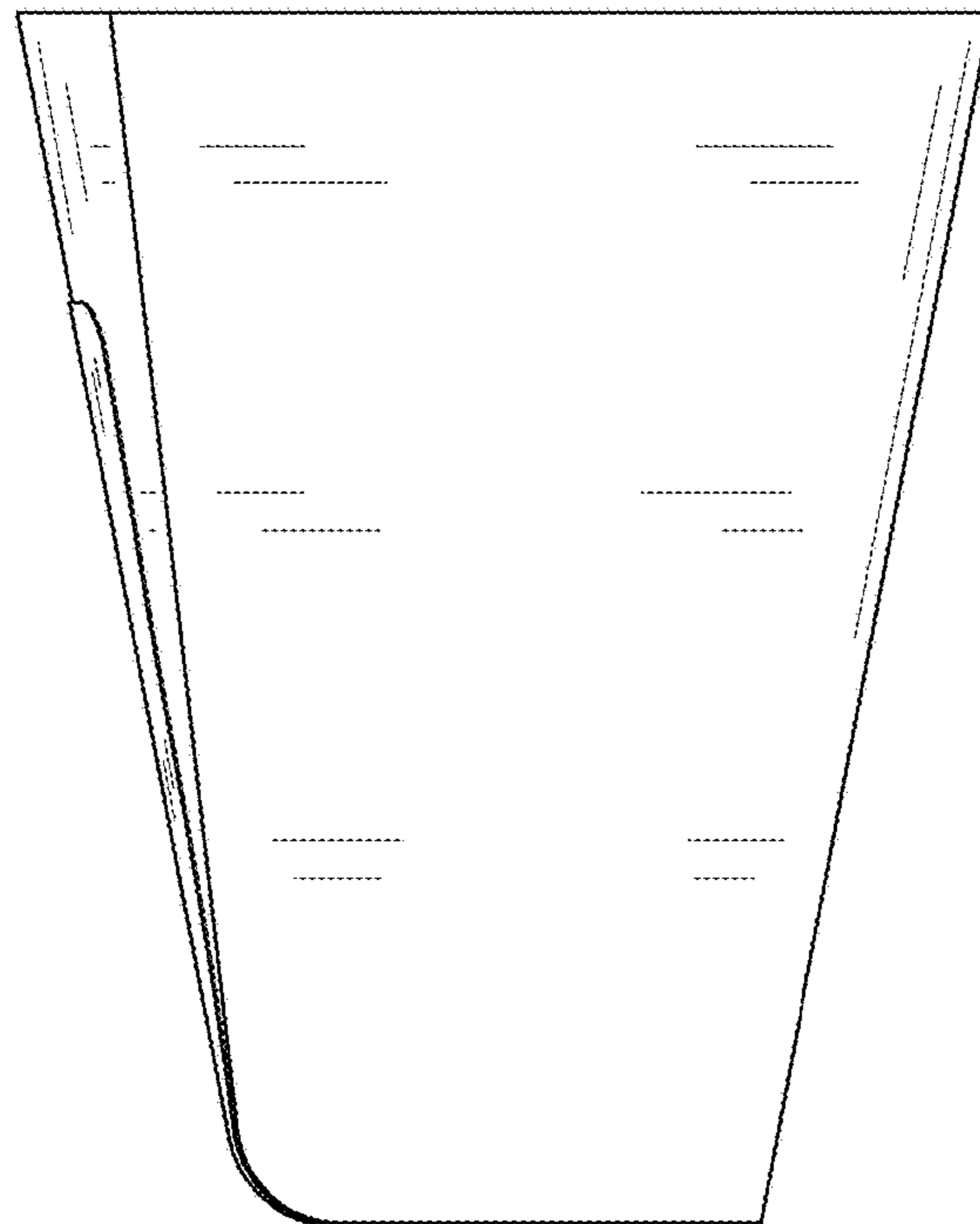


FIG. 4

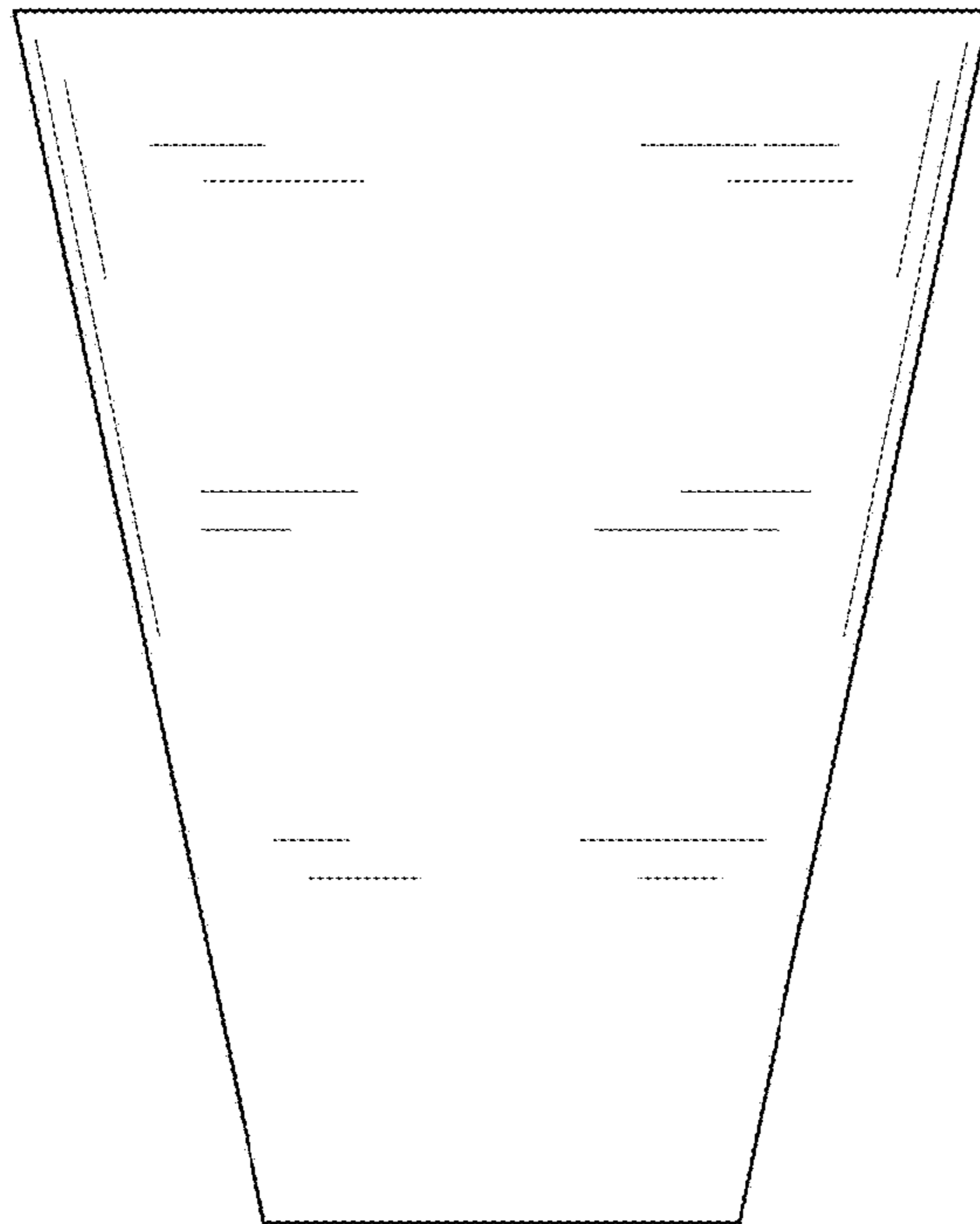


FIG. 5

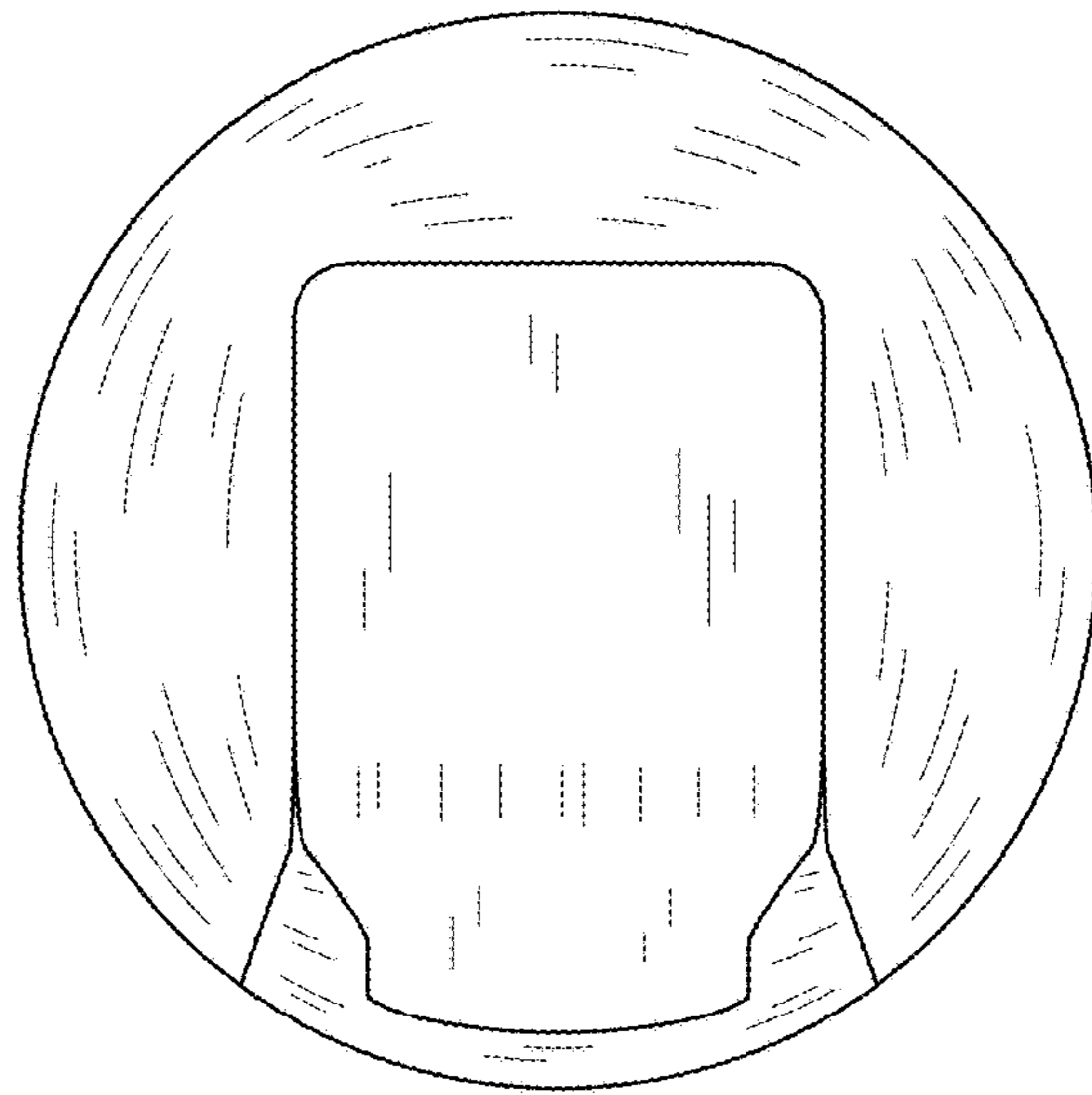


FIG. 6

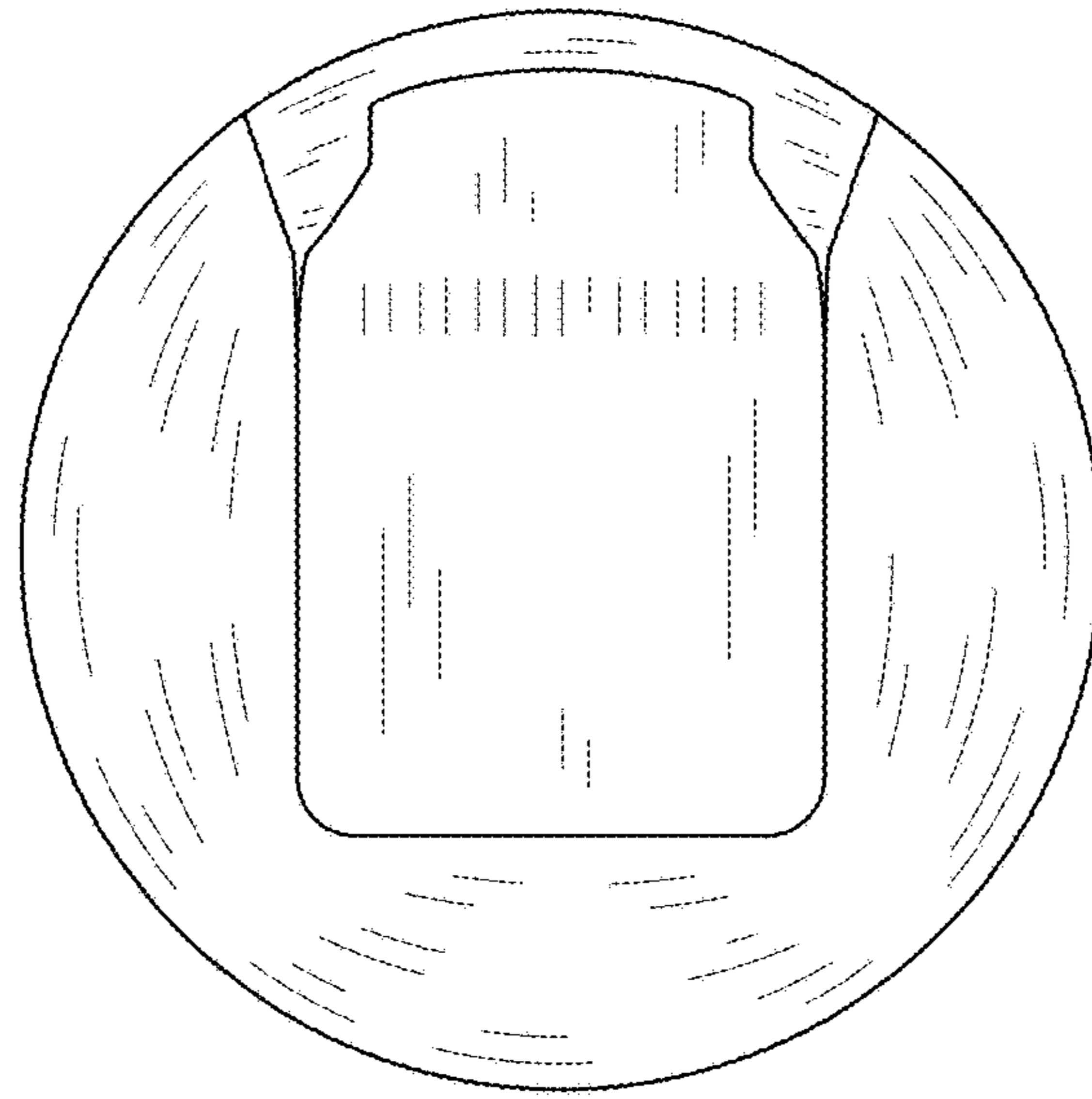


FIG. 7