



US00D862028S

(12) **United States Design Patent**
Sainato et al.

(10) **Patent No.:** **US D862,028 S**
(45) **Date of Patent:** **** Oct. 1, 2019**

(54) **CART**

1/12; B62B 1/047; B62B 1/04; B62B 5/002; B62B 2202/408; B62B 2202/20

(71) Applicant: **Phoenix Intangibles Holding Company**, Greenville, DE (US)

See application file for complete search history.

(72) Inventors: **Anthony V. Sainato**, Westlake, OH (US); **Lee A. Wintermantel**, Moon Township, PA (US); **Paul R. Metcalfe**, Solon, OH (US); **James W. Bates**, Cambridge, OH (US); **Weston T. Skye**, University Heights, OH (US); **Scott E. Urban**, University Heights, OH (US)

(56) **References Cited**

U.S. PATENT DOCUMENTS

D119,258 S	3/1940	Erickson	
2,886,186 A	5/1959	Hamilton	
D301,652 S	6/1989	Roberts	
D377,127 S	1/1997	Barrington	
D400,334 S	10/1998	Hawkins	
D830,032 S *	10/2018	Sainato D34/21

* cited by examiner

Primary Examiner — Cynthia Ramirez

(74) *Attorney, Agent, or Firm* — Eckert Seamans Cherin & Mellott, LLC; David C. Jenkins

(73) Assignee: **Phoenix Intangibles Holding Company**, Greenville, DE (US)

(**) Term: **15 Years**

(21) Appl. No.: **29/659,927**

(22) Filed: **Aug. 14, 2018**

(57) **CLAIM**

The ornamental design for a cart, as shown and described.

Related U.S. Application Data

(63) Continuation of application No. 29/587,532, filed on Dec. 14, 2016, now Pat. No. Des. 830,032.

(51) **LOC (12) Cl.** **12-02**

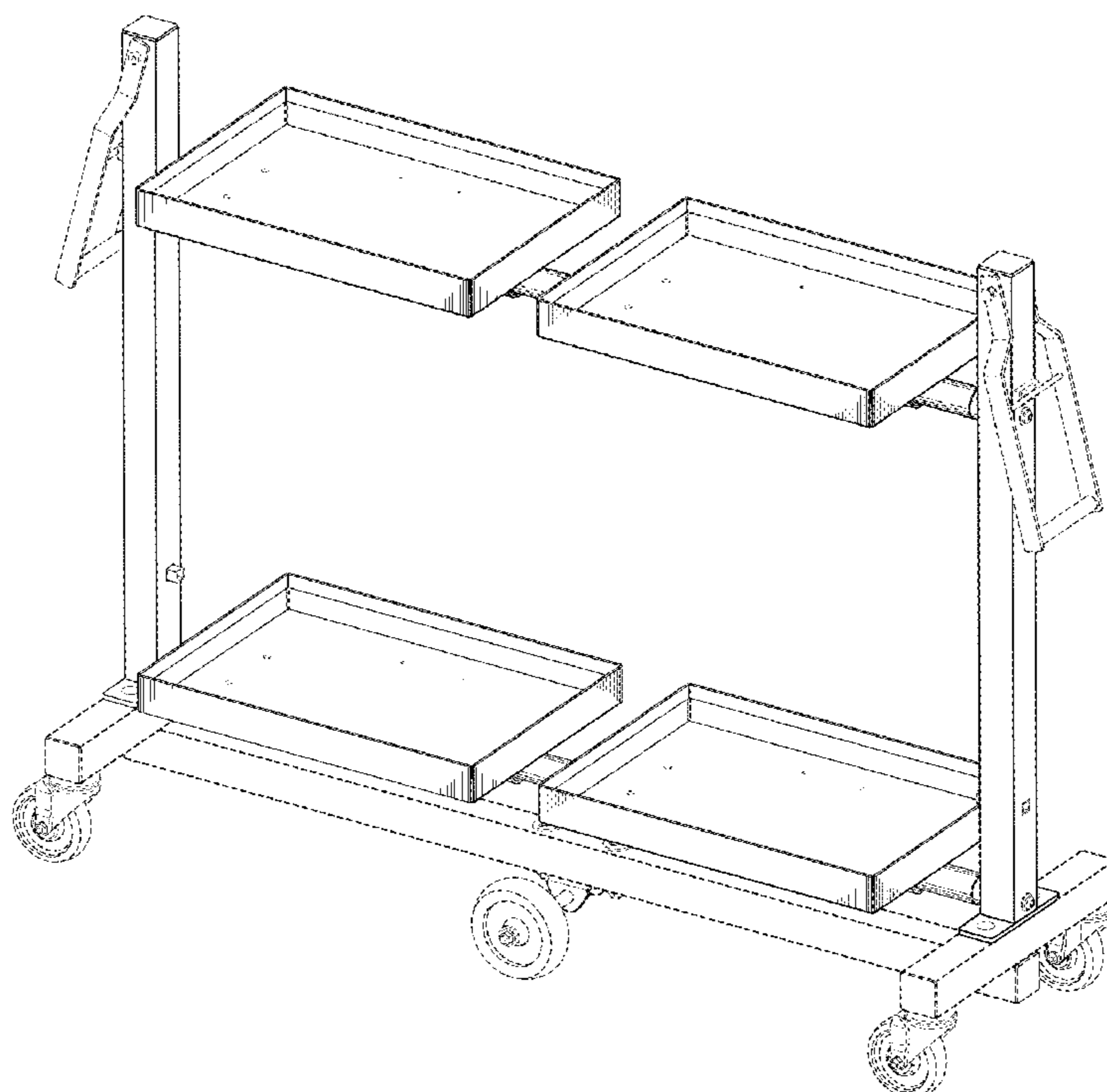
(52) **U.S. Cl.**
USPC **D34/21**

(58) **Field of Classification Search**
USPC D34/12–27
CPC B62B 3/02; B62B 3/002; B62B 3/006;
B62B 3/10; B62B 3/106; B62B 3/04;
B62B 1/10; B62B 1/264; B62B 1/14;
B62B

DESCRIPTION

FIG. 1 is an isometric view of the cart; FIG. 2 is a right view of the cart; FIG. 3 is a left view of the cart; FIG. 4 is a top view of the cart; FIG. 5 is a bottom view of the cart; FIG. 6 is a back view of the cart; and, FIG. 7 is a front view of the cart. The broken lines in the drawings depict environmental subject matter only and form no part of the claimed design.

1 Claim, 5 Drawing Sheets



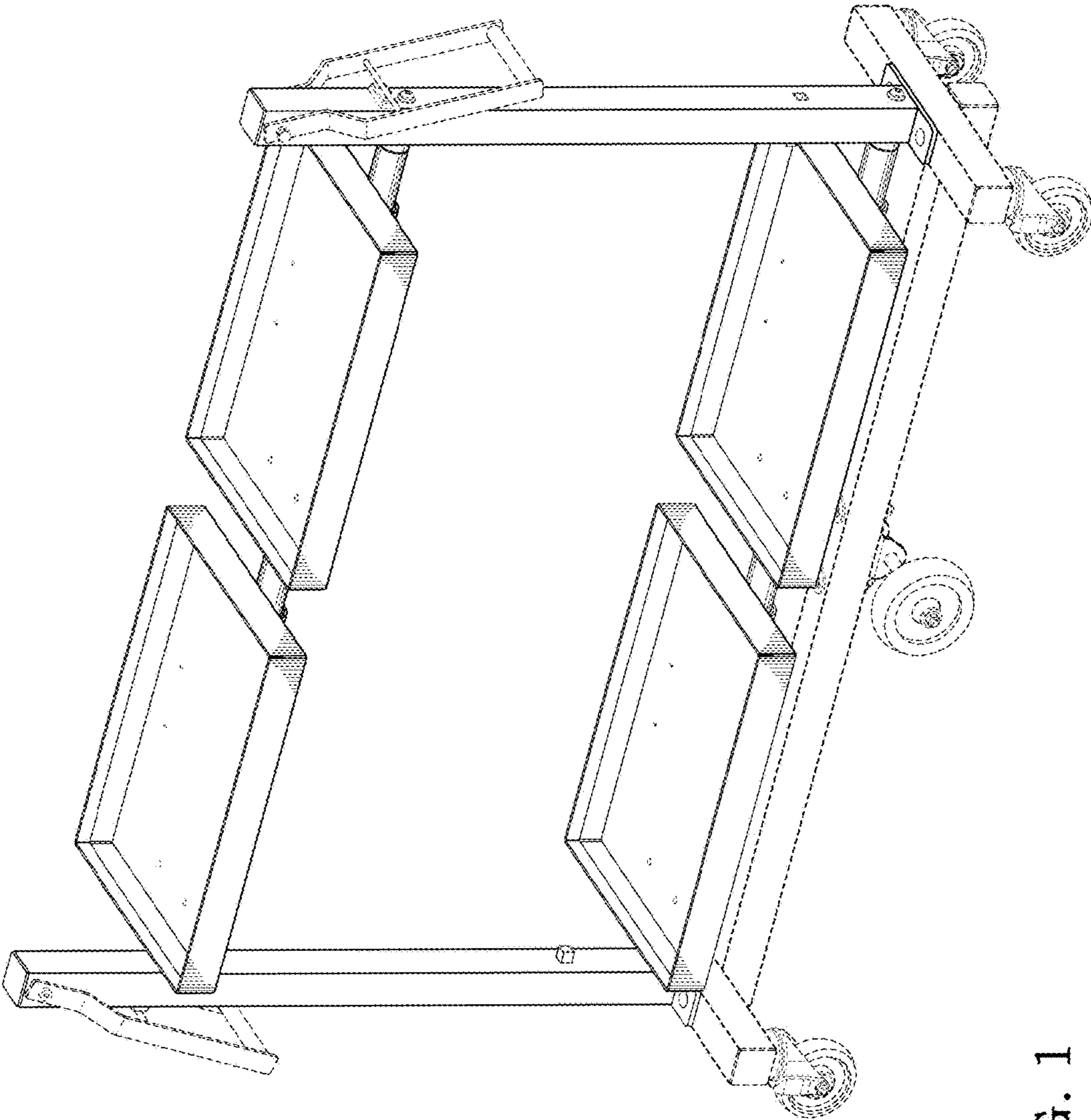


FIG. 1

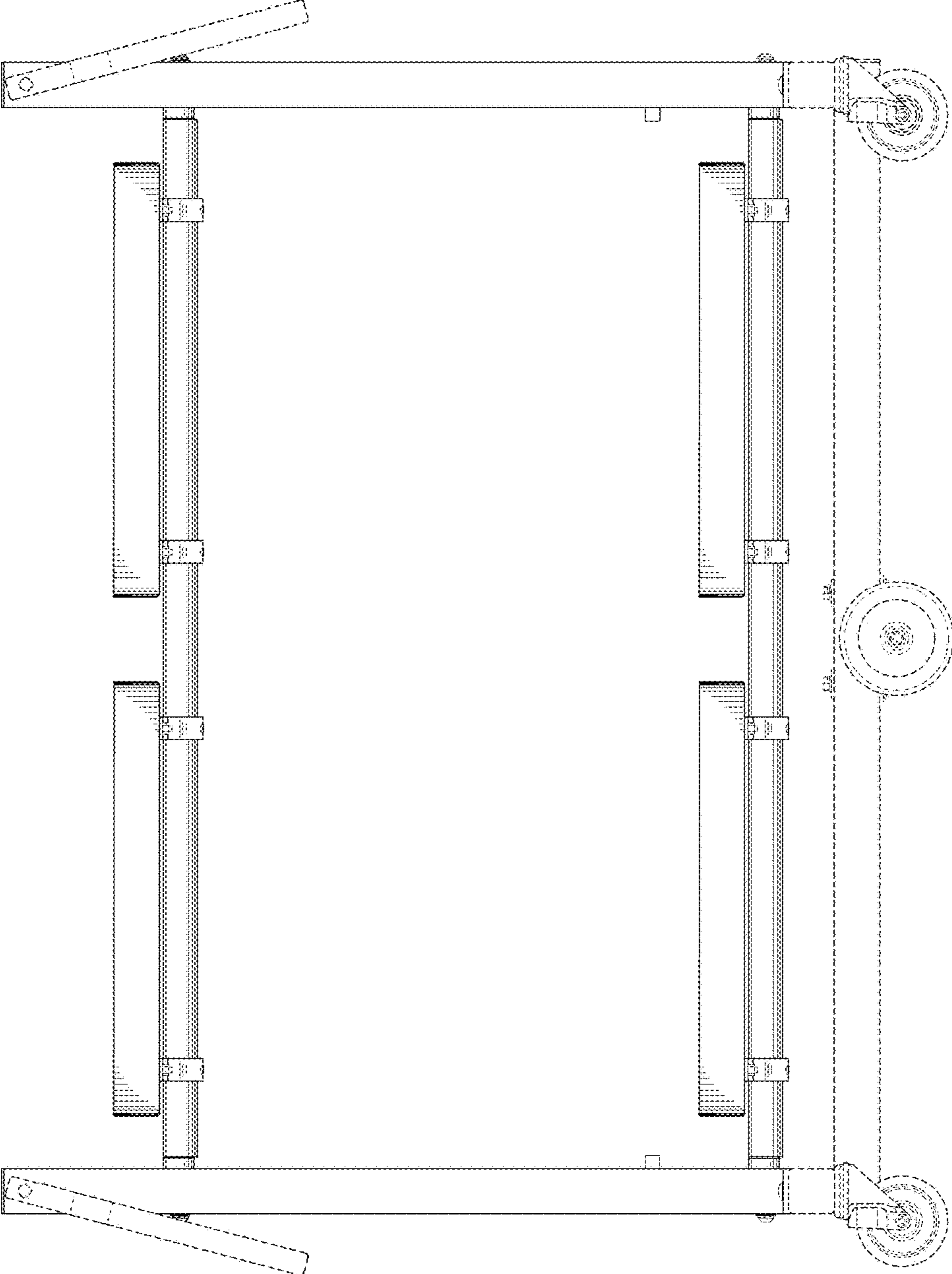


FIG. 2

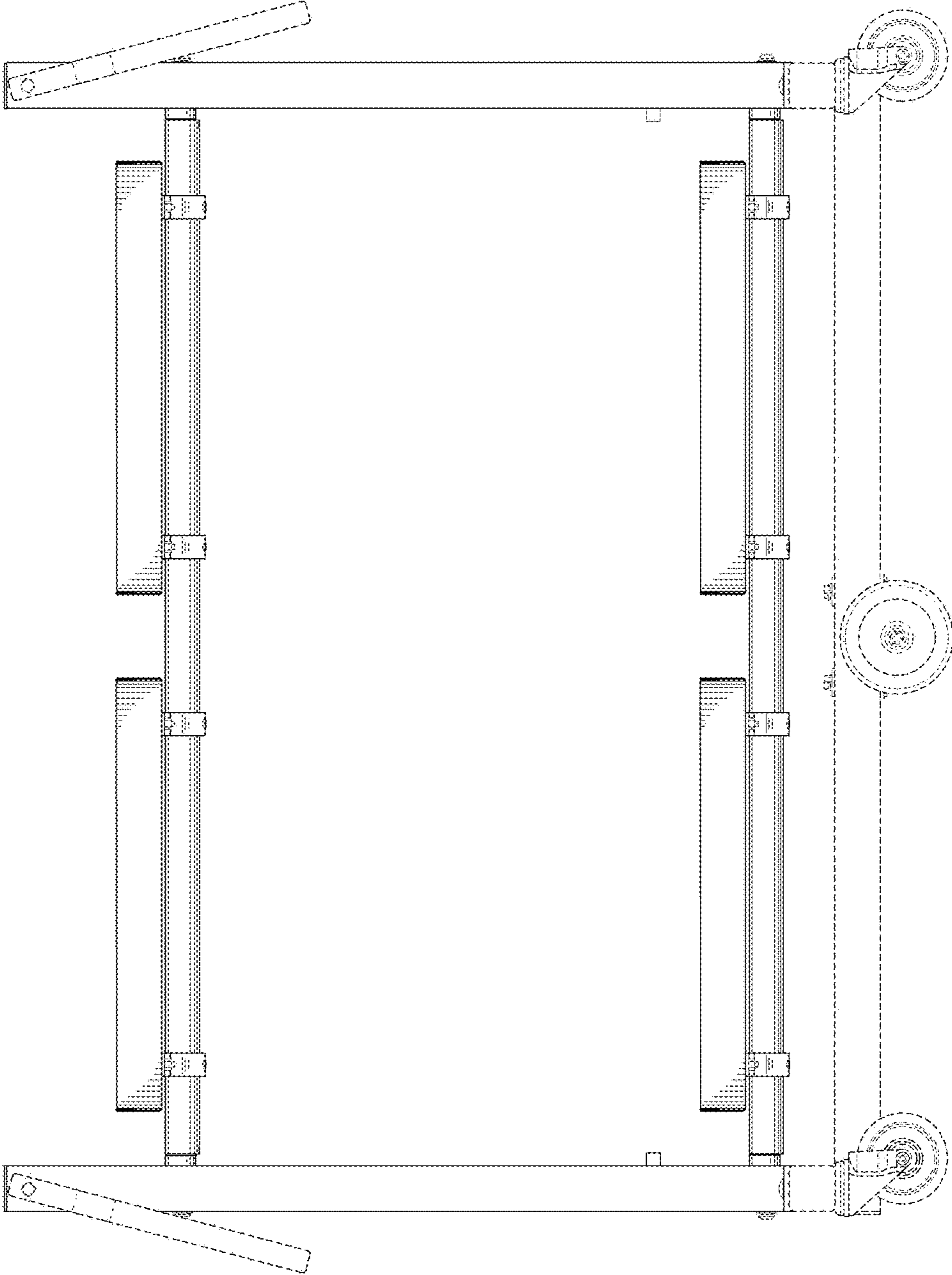


FIG. 3

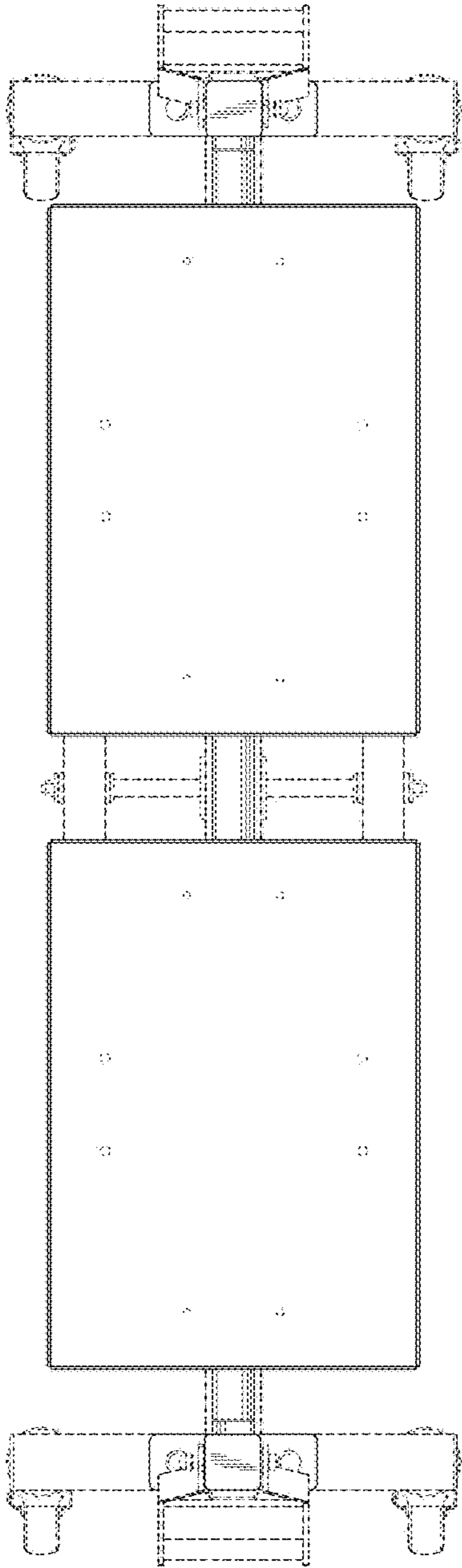


FIG. 4

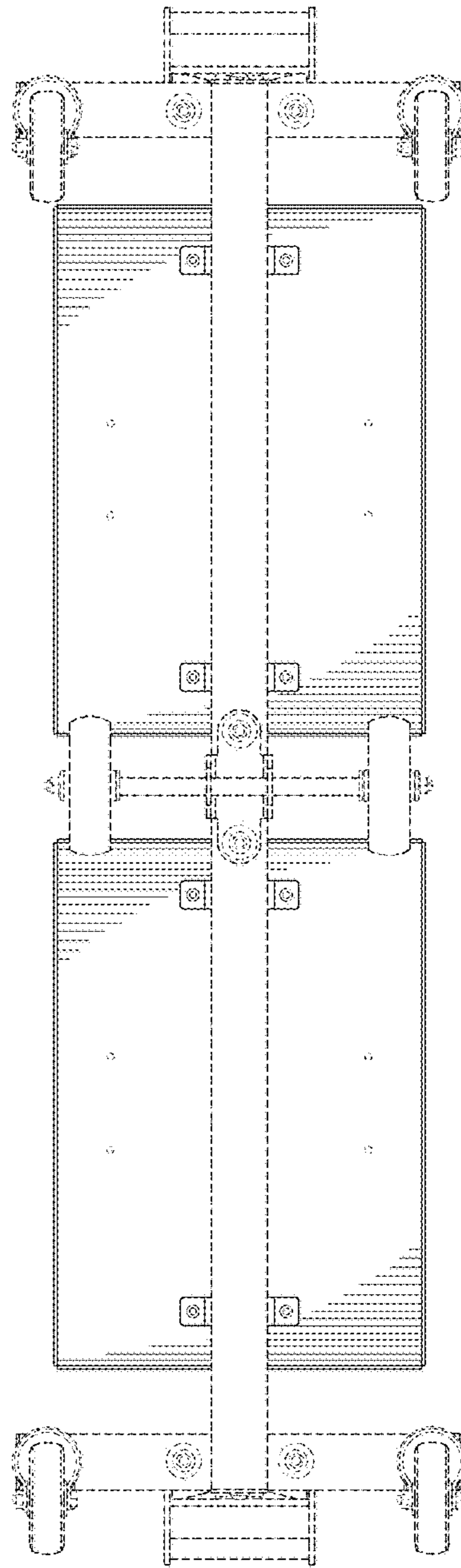


FIG. 5

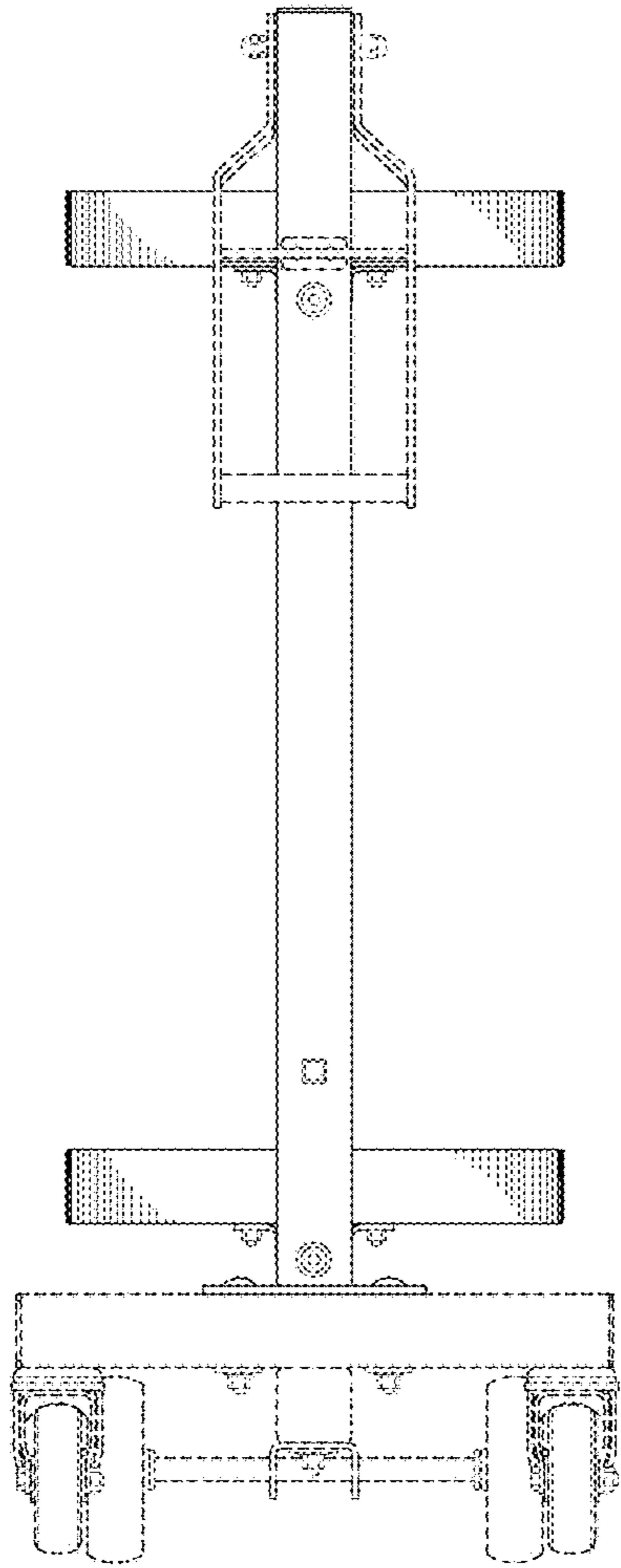


FIG. 6

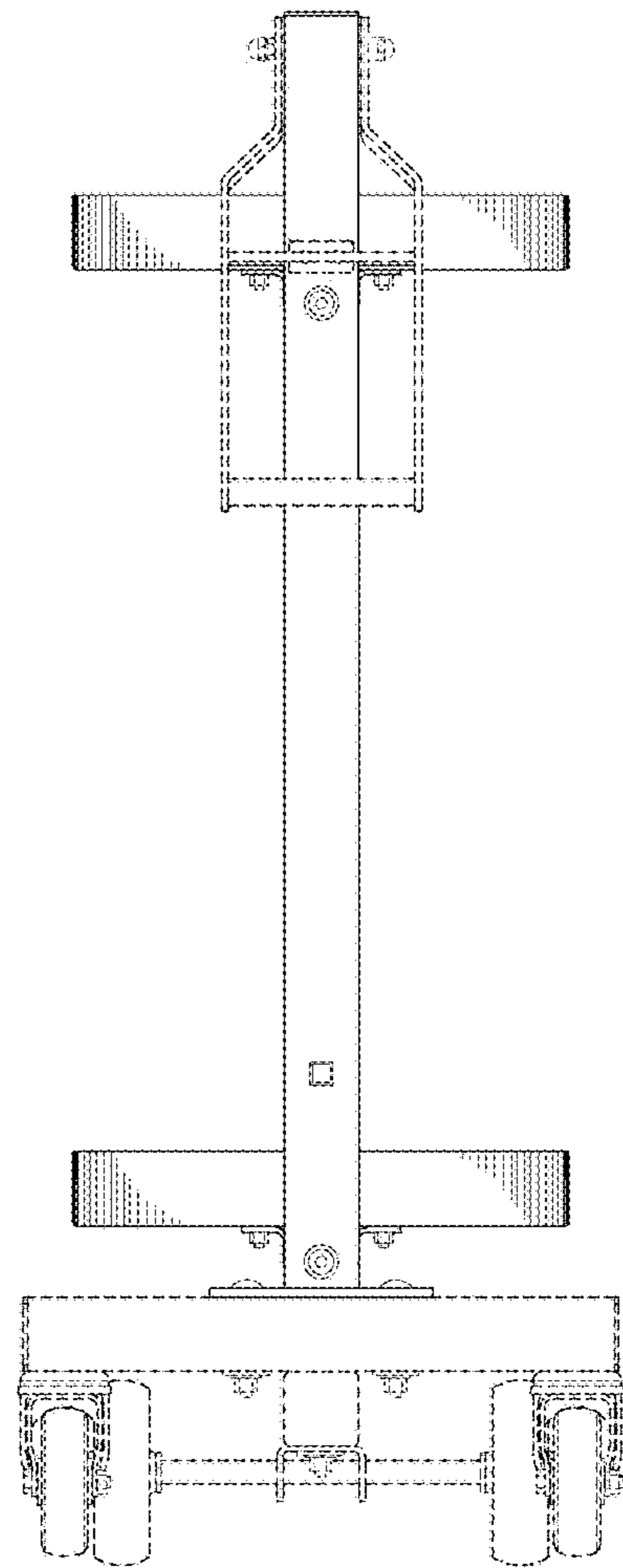


FIG. 7