



US00D862027S

(12) **United States Design Patent**
Lizotte

(10) **Patent No.:** **US D862,027 S**

(45) **Date of Patent:** **** Oct. 1, 2019**

(54) **TECHNICIAN CART**

(71) Applicant: **ROUSSEAU MÉTAL INC.**, Quebec (CA)

(72) Inventor: **Gerry Lizotte**, Quebec (CA)

(73) Assignee: **ROUSSEAU MÉTAL INC.**, Quebec (CA)

(**) Term: **15 Years**

(21) Appl. No.: **29/623,486**

(22) Filed: **Oct. 25, 2017**

(51) **LOC (12) Cl.** **12-02**

(52) **U.S. Cl.**
USPC **D34/21**

(58) **Field of Classification Search**
USPC D34/12, 20, 21
CPC B62B 3/005; B62B 5/00; B62B 3/02
See application file for complete search history.

(56) **References Cited**

U.S. PATENT DOCUMENTS

D618,419 S * 6/2010 Catron D34/12
D710,064 S * 7/2014 Schumaker D34/17

D809,730 S * 2/2018 Churchvara D34/21
D831,292 S * 10/2018 Thuma D34/12
2014/0217690 A1* 8/2014 Schumaker B62B 3/005
280/47.35

* cited by examiner

Primary Examiner — Cynthia Ramirez

(74) *Attorney, Agent, or Firm* — Muirhead and Saturnelli, LLC

(57) **CLAIM**

The ornamental design for a technician cart, as shown and described.

DESCRIPTION

FIG. 1 is a perspective view of a technician cart showing the new design.

FIG. 2 is a front view thereof.

FIG. 3 is a rear view thereof.

FIG. 4 is a left side view thereof.

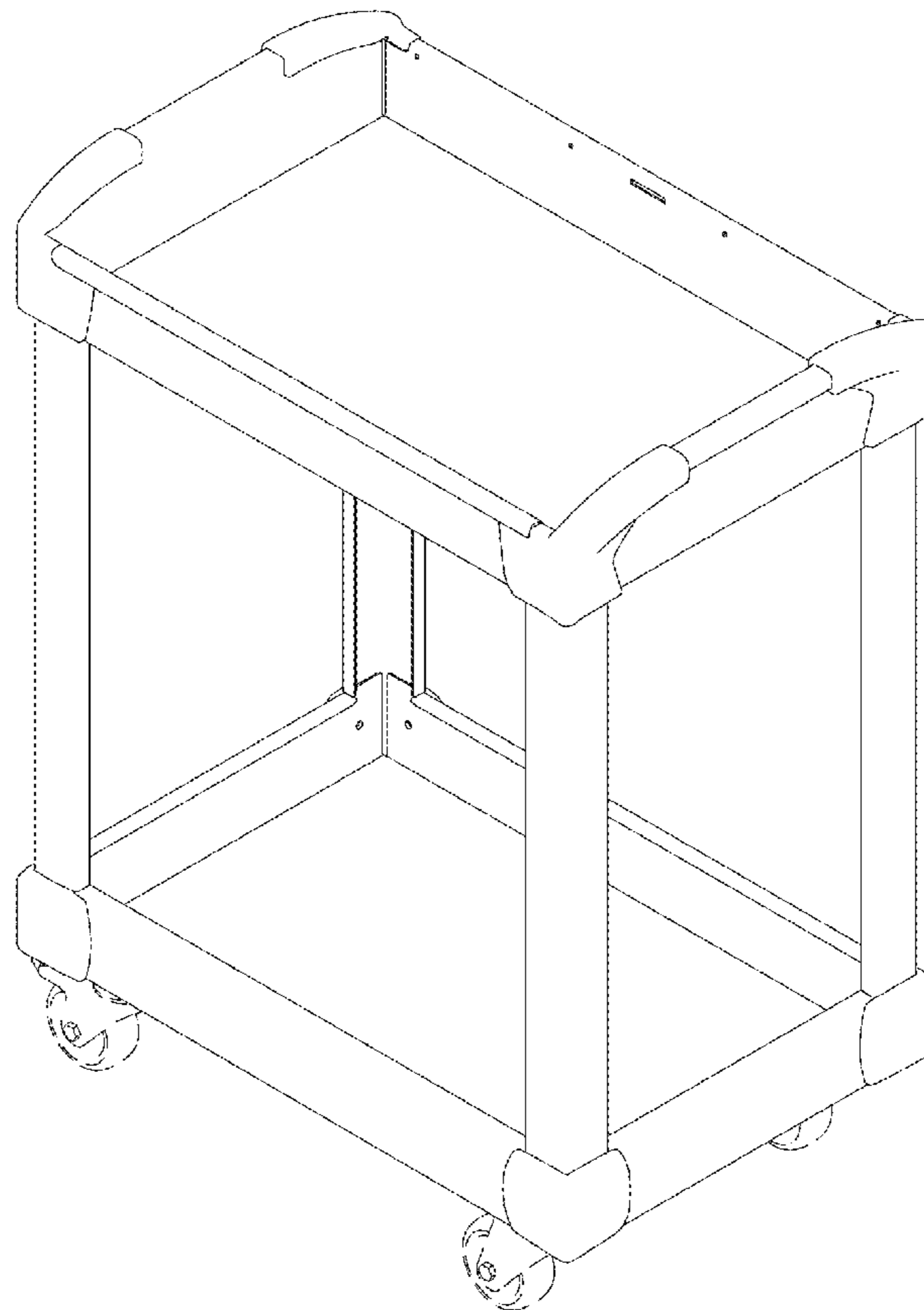
FIG. 5 is a right side view thereof.

FIG. 6 is a top plan view thereof; and,

FIG. 7 is a bottom plan view thereof.

The broken lines shown in the figures are to show portions of the technician cart which form no part of the claimed design.

1 Claim, 7 Drawing Sheets



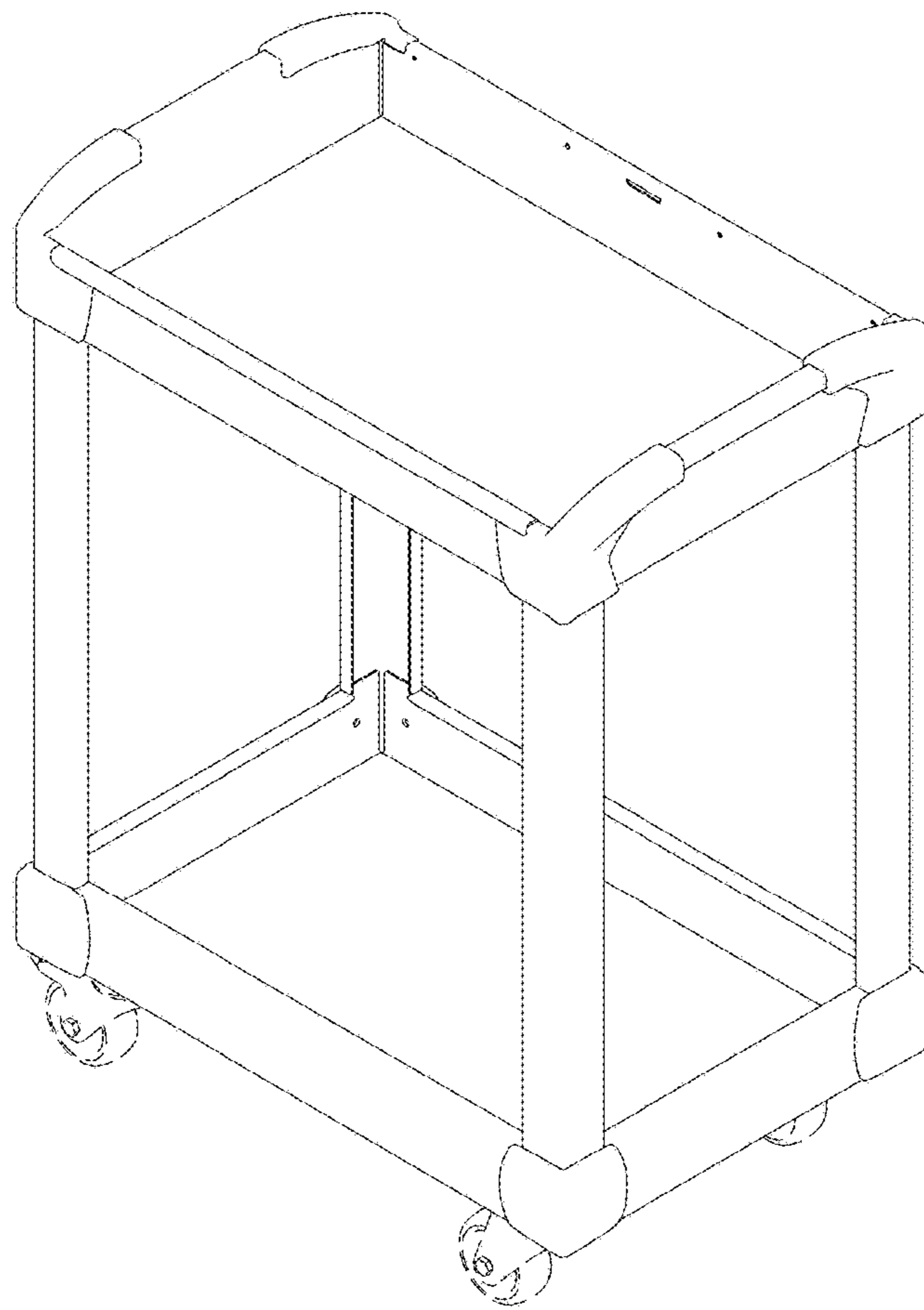


FIG. 1

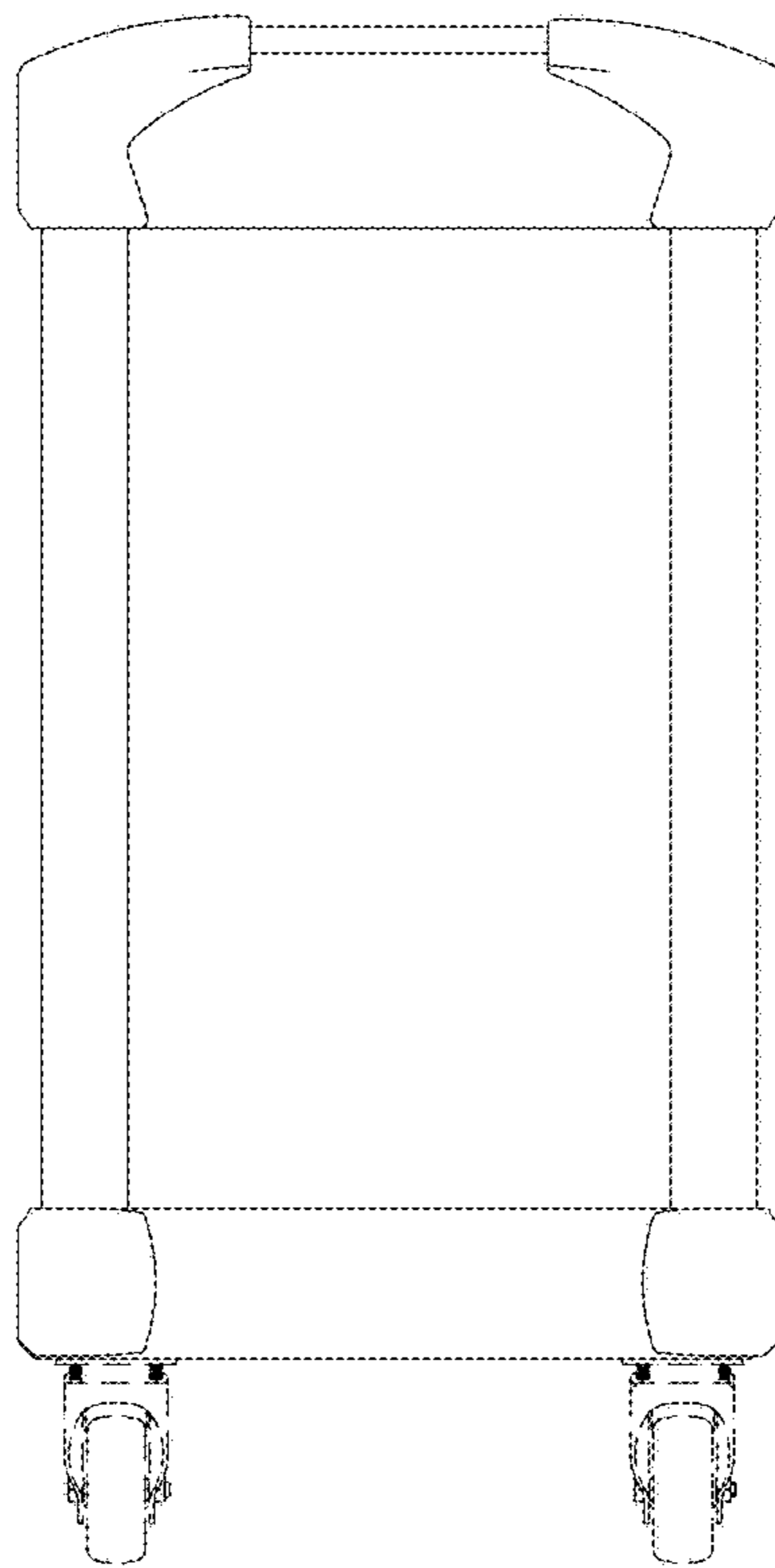


FIG. 2

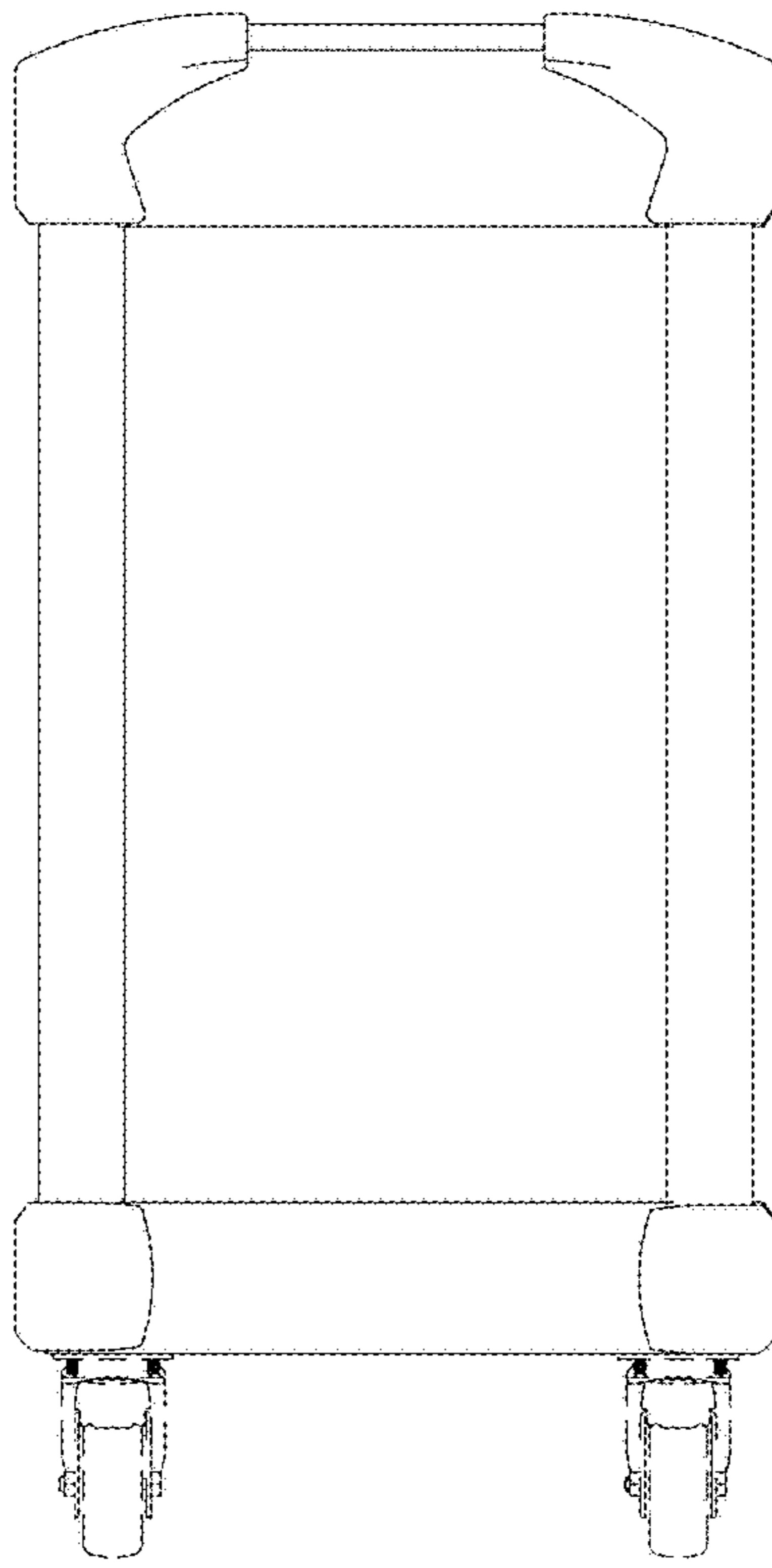


FIG. 3

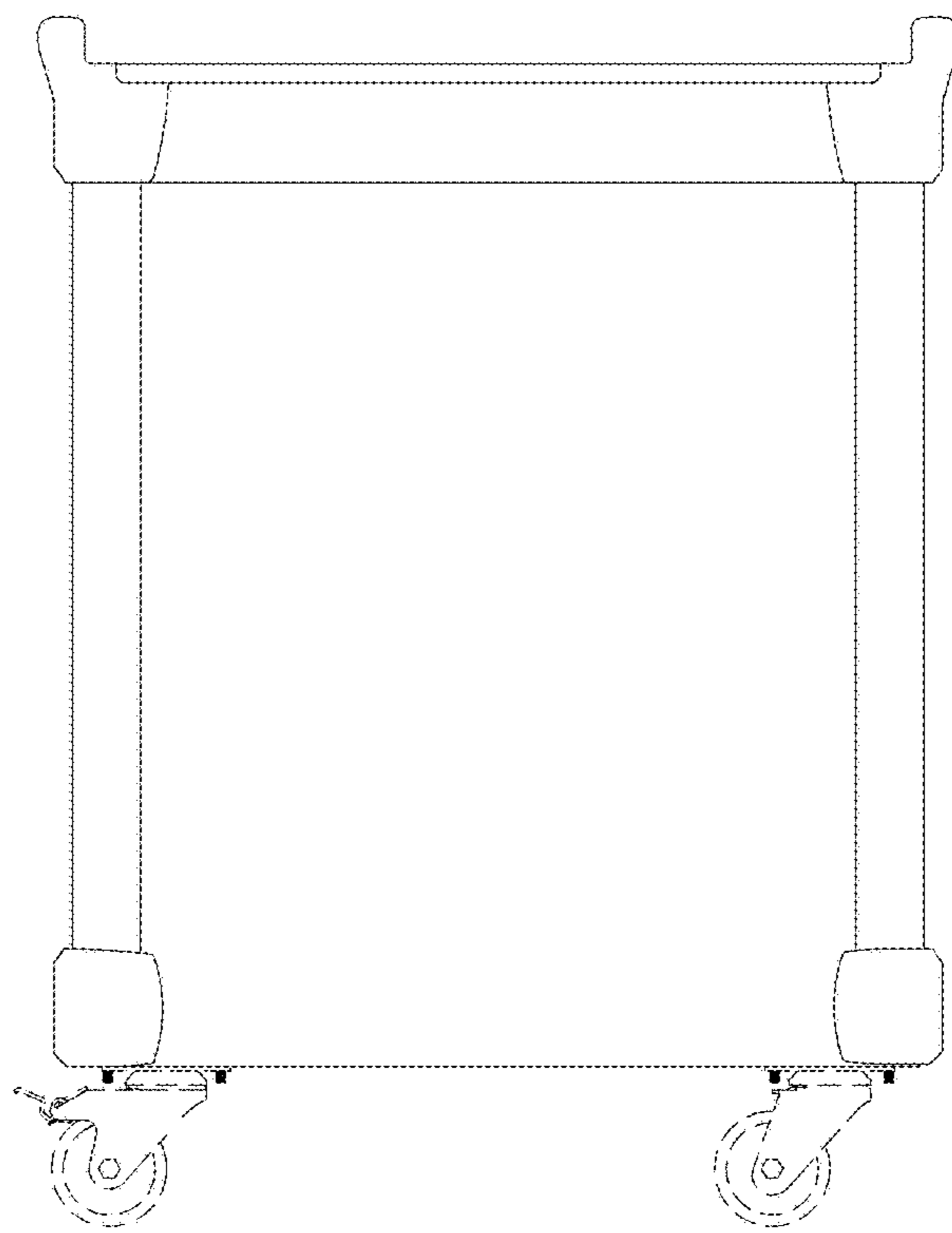


FIG. 4

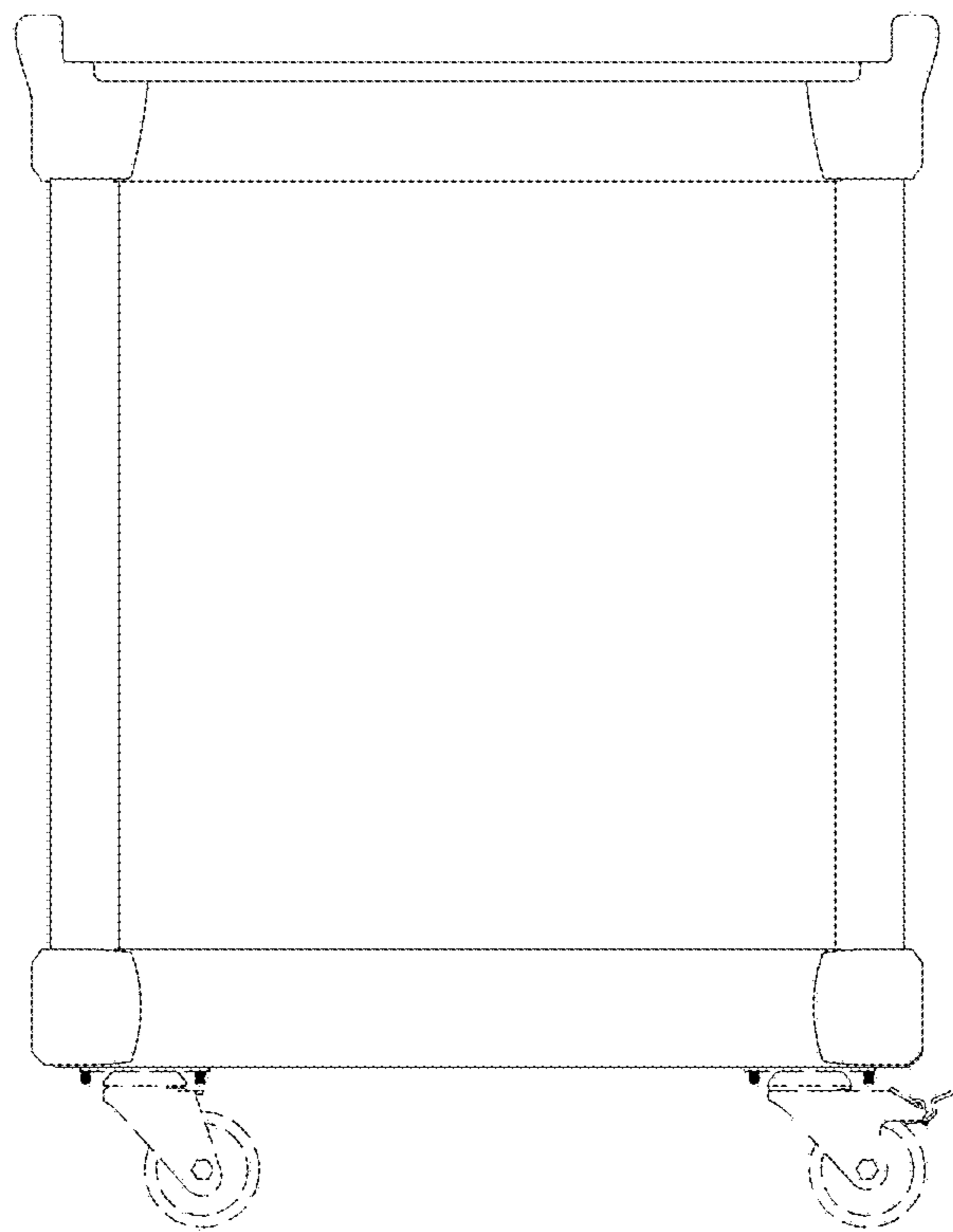


FIG. 5

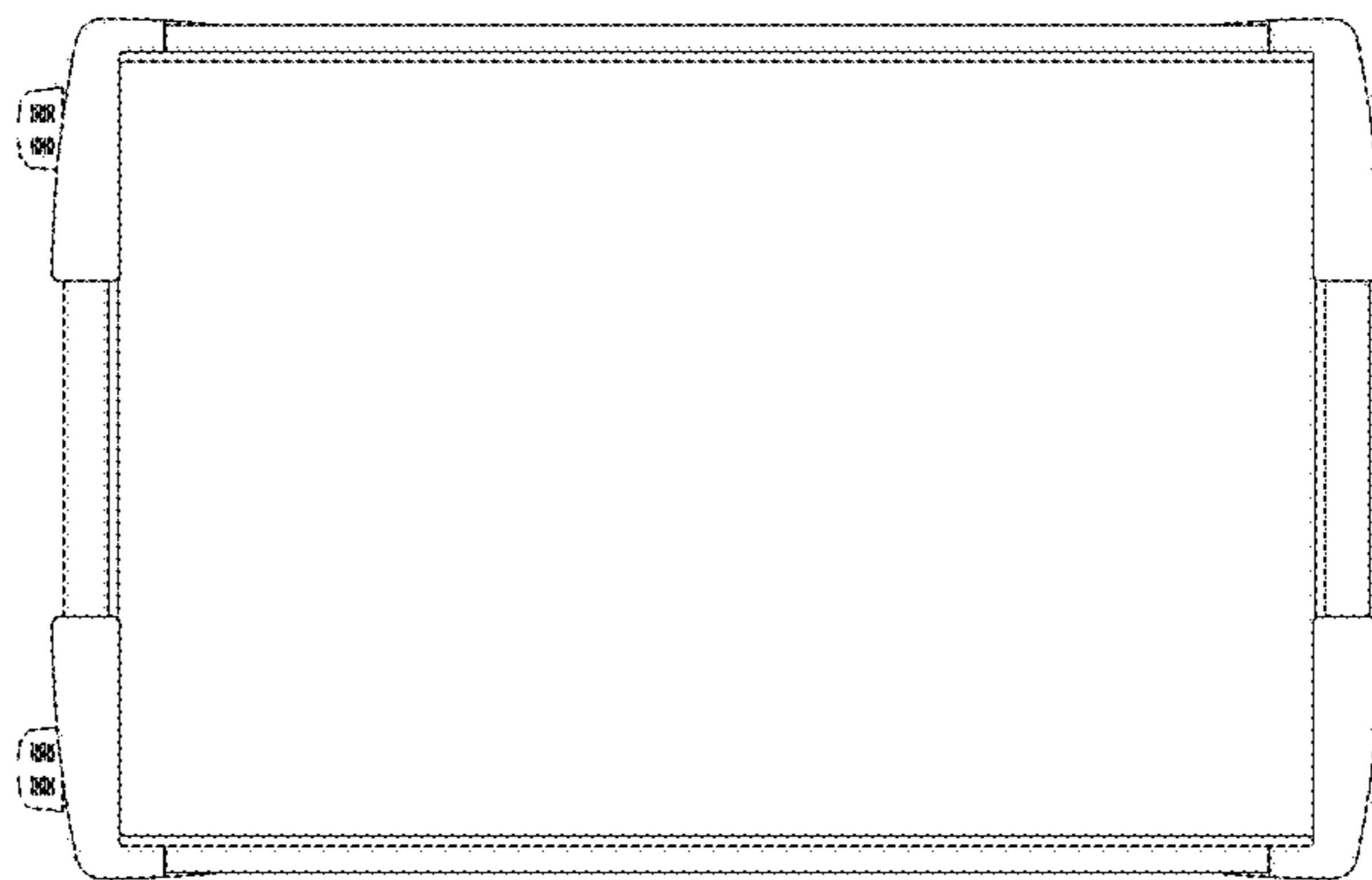


FIG. 6

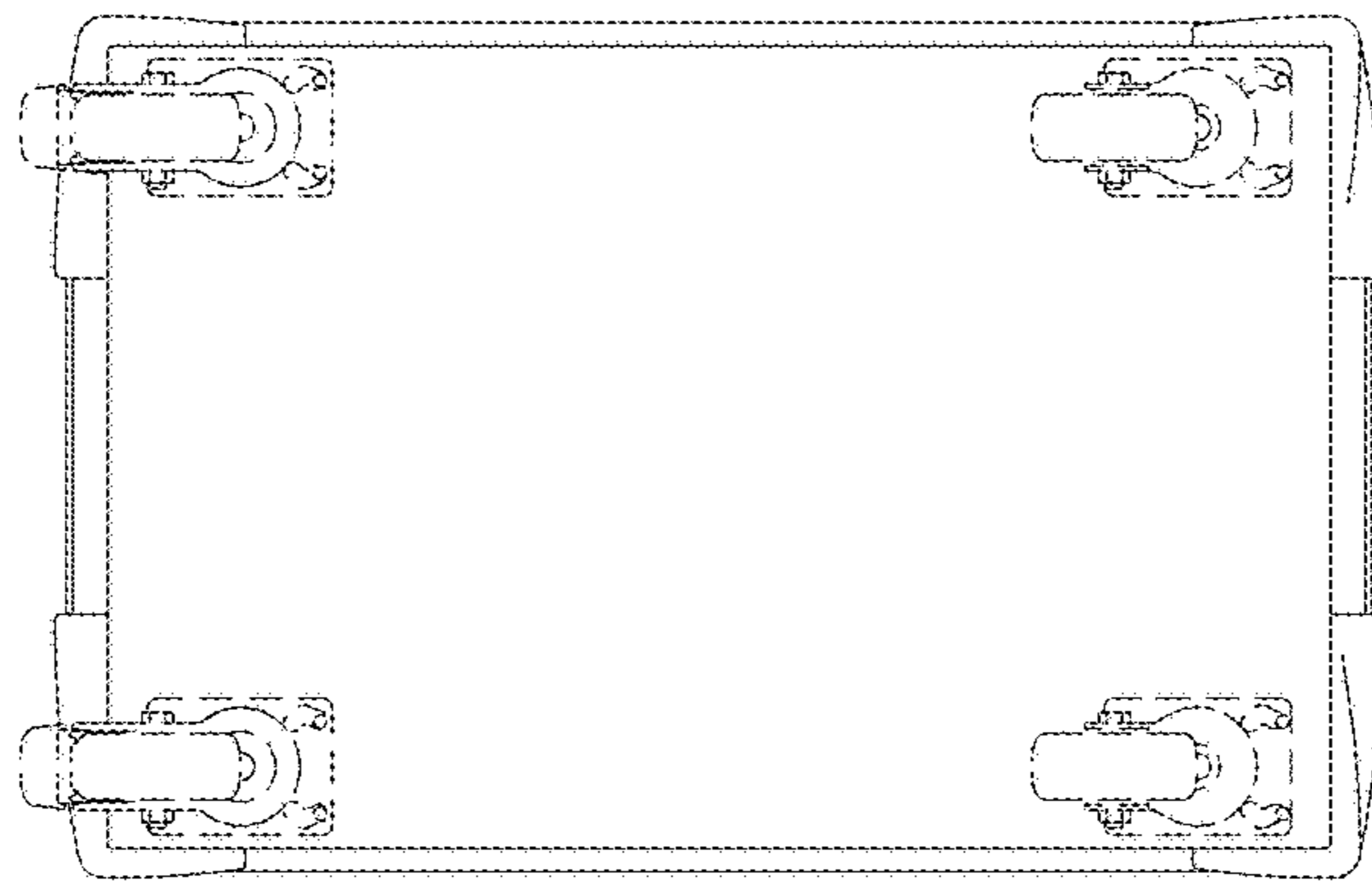


FIG. 7