



US00D862026S

(12) **United States Design Patent**
Carzola

(10) **Patent No.:** **US D862,026 S**

(45) **Date of Patent:** **** Oct. 1, 2019**

(54) **MODULAR LIFTING CART**

(71) Applicant: **Alexander Louis Carzola**, North Palm Beach, FL (US)

(72) Inventor: **Alexander Louis Carzola**, North Palm Beach, FL (US)

(**) Term: **15 Years**

(21) Appl. No.: **29/665,131**

(22) Filed: **Oct. 1, 2018**

Related U.S. Application Data

(63) Continuation-in-part of application No. 16/138,682, filed on Sep. 21, 2018, which is a continuation-in-part of application No. 15/601,760, filed on May 22, 2017, now Pat. No. 10,118,632.

(51) **LOC (12) Cl.** **12-02**

(52) **U.S. Cl.**
USPC **D34/14**

(58) **Field of Classification Search**
USPC D34/12-27
CPC B62B 3/02; B62B 3/002; B62B 3/006;
B62B 3/10; B62B 3/106; B62B 3/04;
B62B 1/10; B62B 1/264; B62B 1/14;
B62B 1/12; B62B 1/047; B62B 1/04;
B62B 5/002; B62B 2202/408; B62B
2202/20

See application file for complete search history.

(56) **References Cited**

U.S. PATENT DOCUMENTS

D219,208 S * 11/1970 Olsson D34/14
D296,143 S * 6/1988 Bettess 280/47.35

D304,112 S * 10/1989 Bettess D34/21
D443,965 S * 6/2001 Gaalswyk D34/14
D461,941 S * 8/2002 Underbrink D34/14
D462,819 S * 9/2002 Burford D34/14
D612,561 S * 3/2010 Hunter D34/14
D625,071 S * 10/2010 Shigeno D24/185
D637,782 S * 5/2011 Steffens D34/14

* cited by examiner

Primary Examiner — Cynthia Ramirez

(57) **CLAIM**

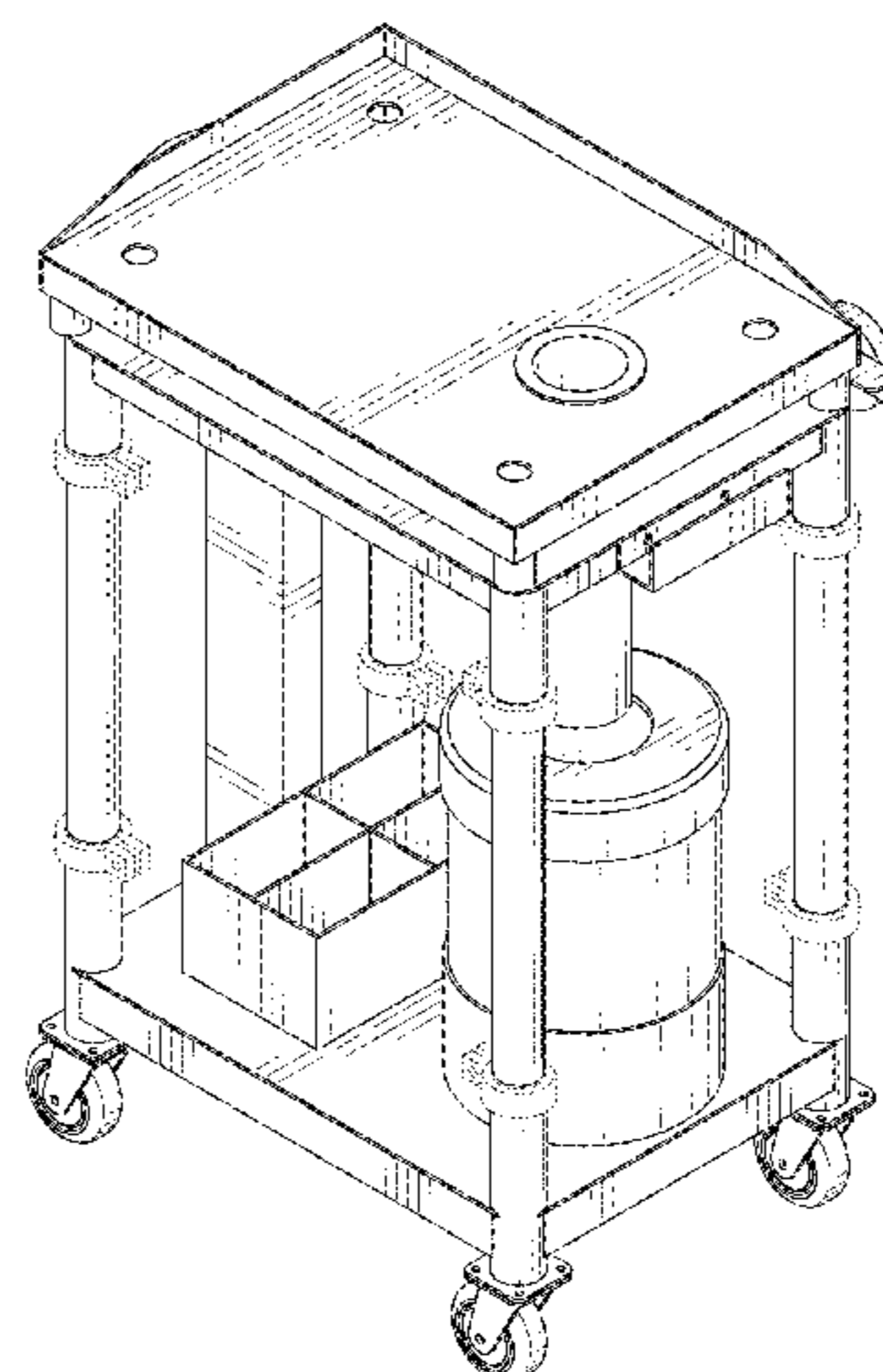
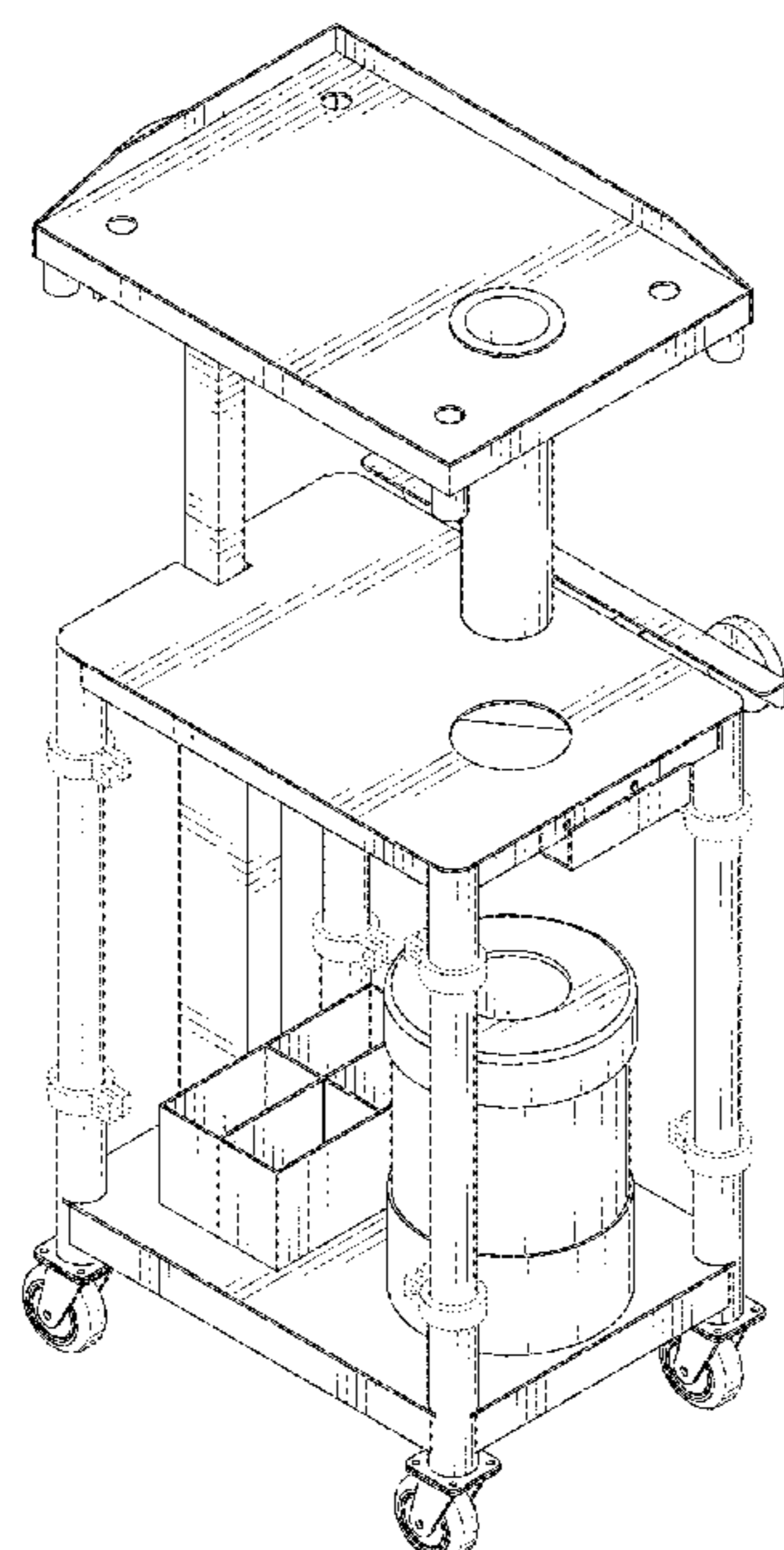
The ornamental design for a modular lifting cart, as shown and described.

DESCRIPTION

FIG. 1 is a front top perspective view of a modular lifting cart in its extended position;
FIG. 2 is a front top perspective view of a modular lifting cart in its retracted position;
FIG. 3 is a front bottom perspective view thereof;
FIG. 4 is a rear top perspective view thereof;
FIG. 5 is a rear bottom perspective view thereof;
FIG. 6 is a front elevational view thereof;
FIG. 7 is a rear elevational view thereof;
FIG. 8 is a left elevational view thereof;
FIG. 9 is a right elevational view thereof;
FIG. 10 is a top plan view thereof; and,
FIG. 11 is a bottom plan view thereof.

The broken lines showing the leg clamps in FIGS. 1-9 are included for the purpose of showing the environmental structure and form no part of the claimed design.

1 Claim, 11 Drawing Sheets



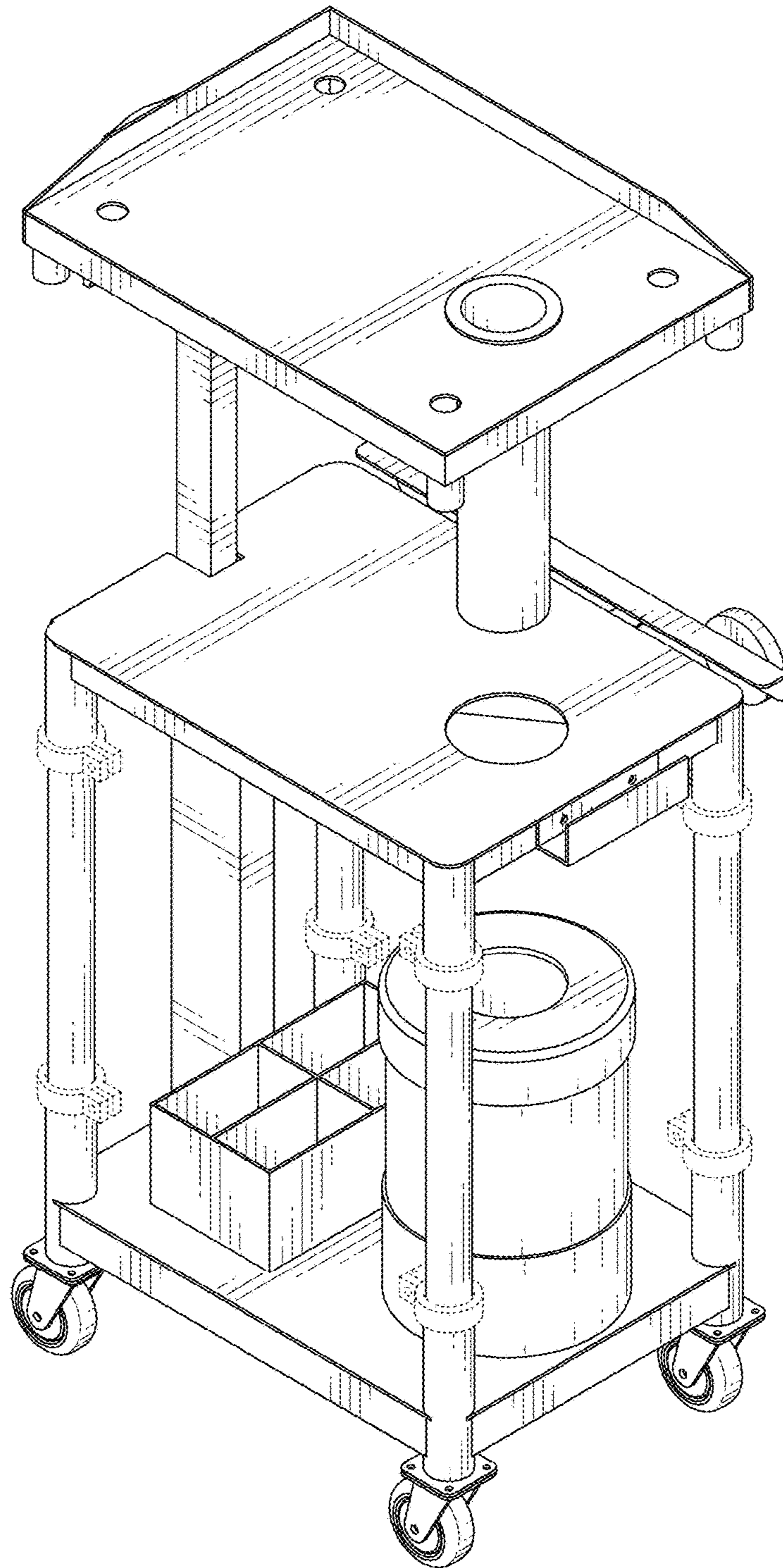


FIG. 1

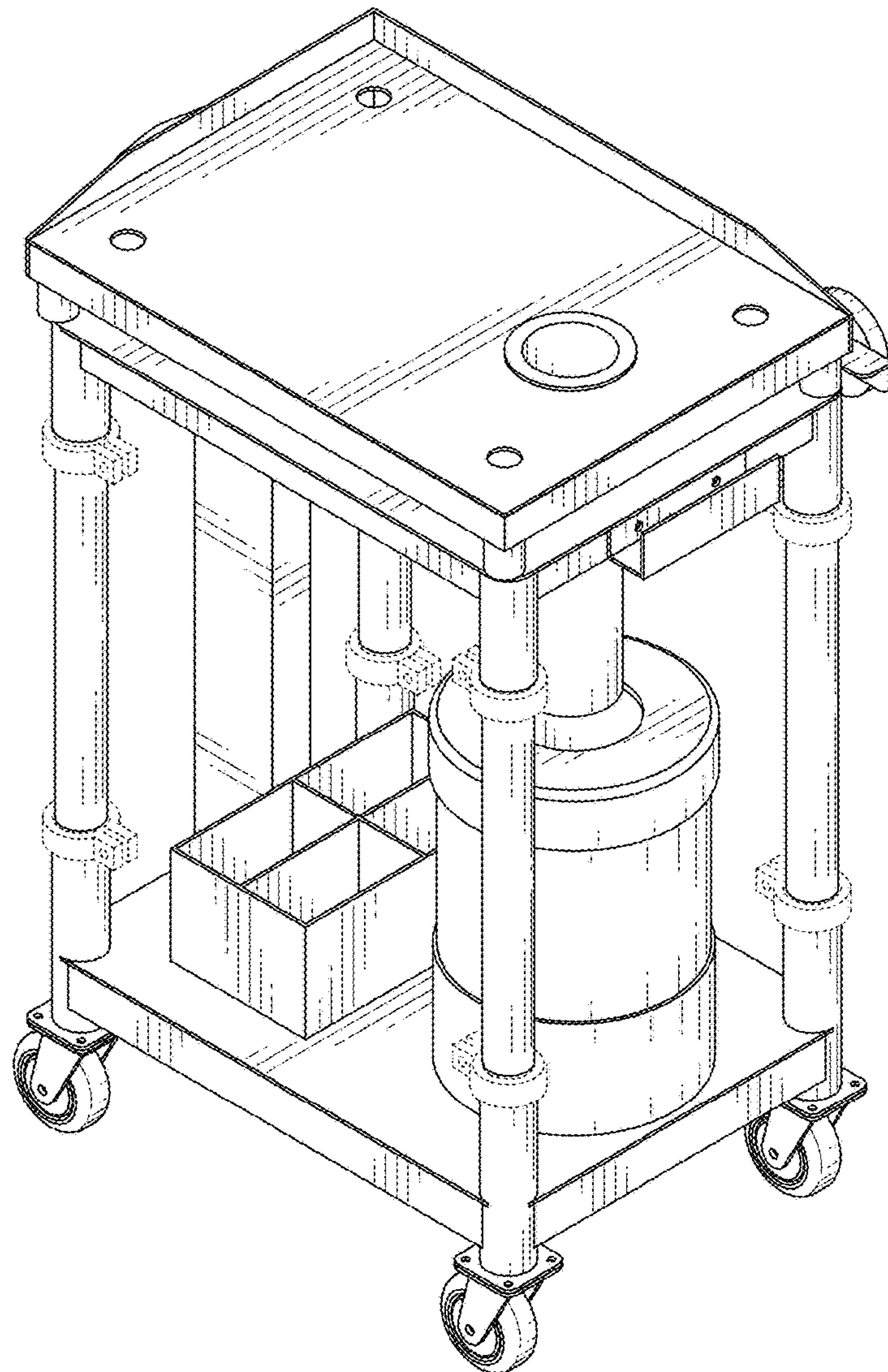


FIG. 2

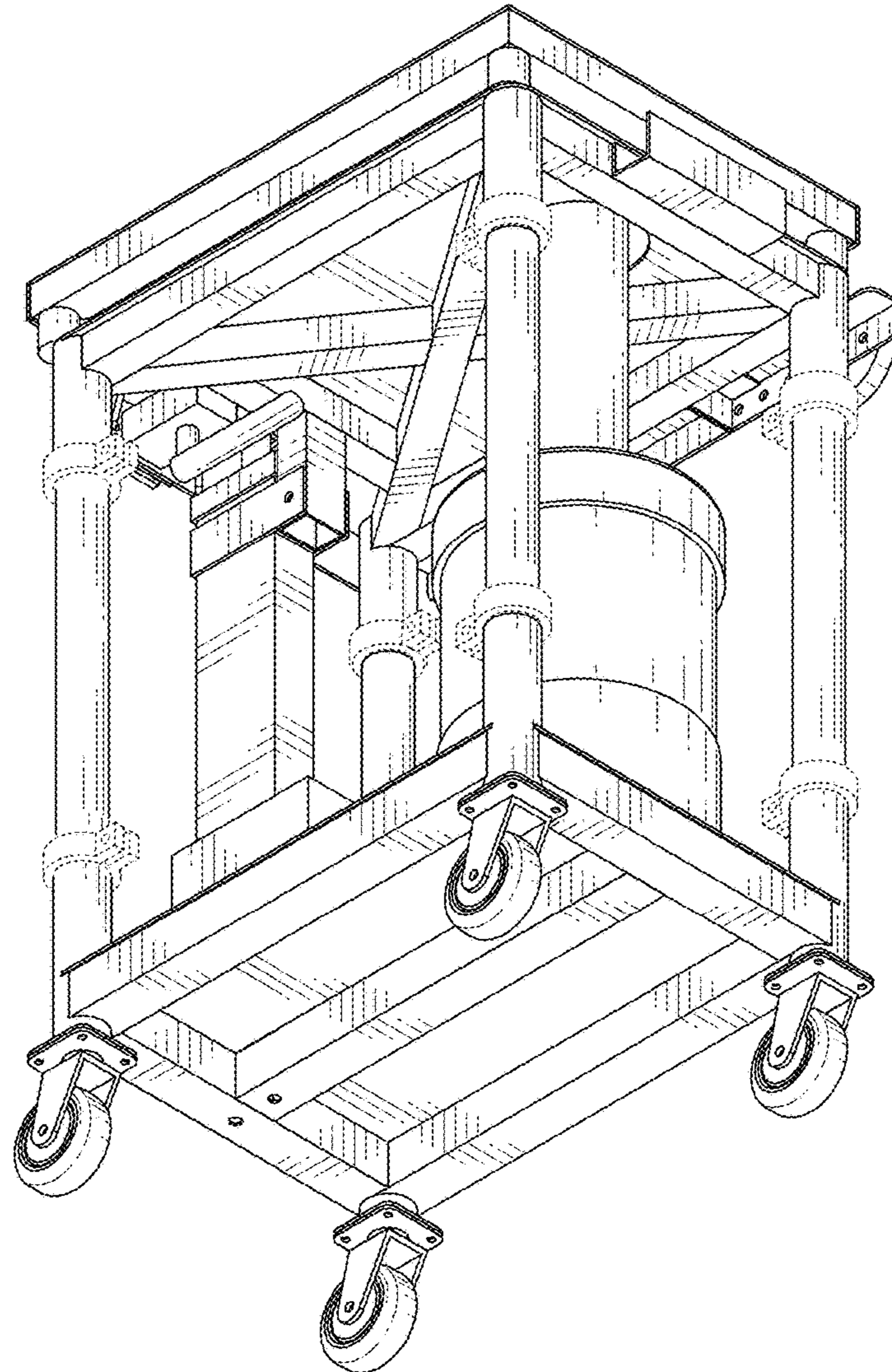


FIG. 3

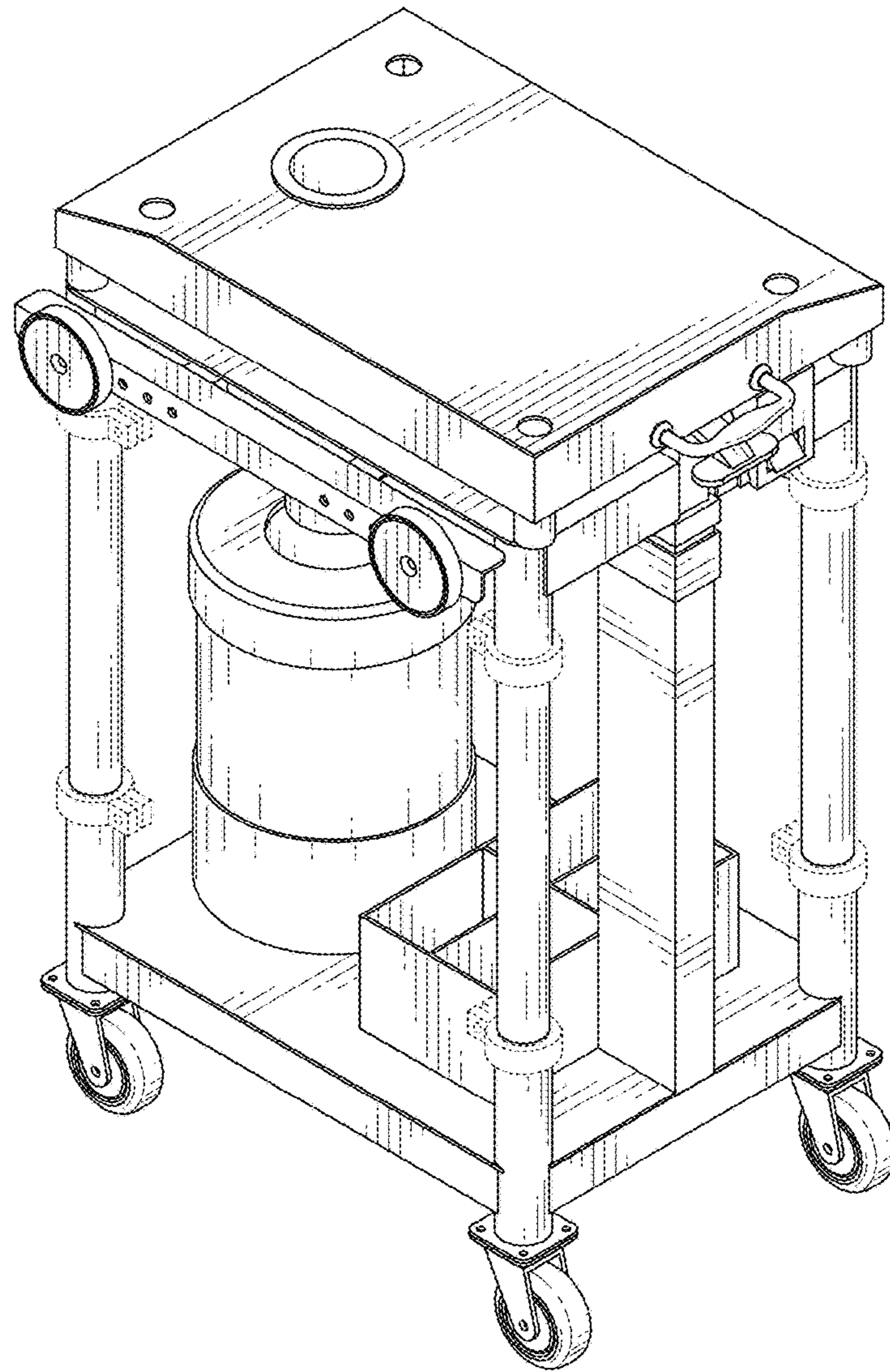


FIG. 4

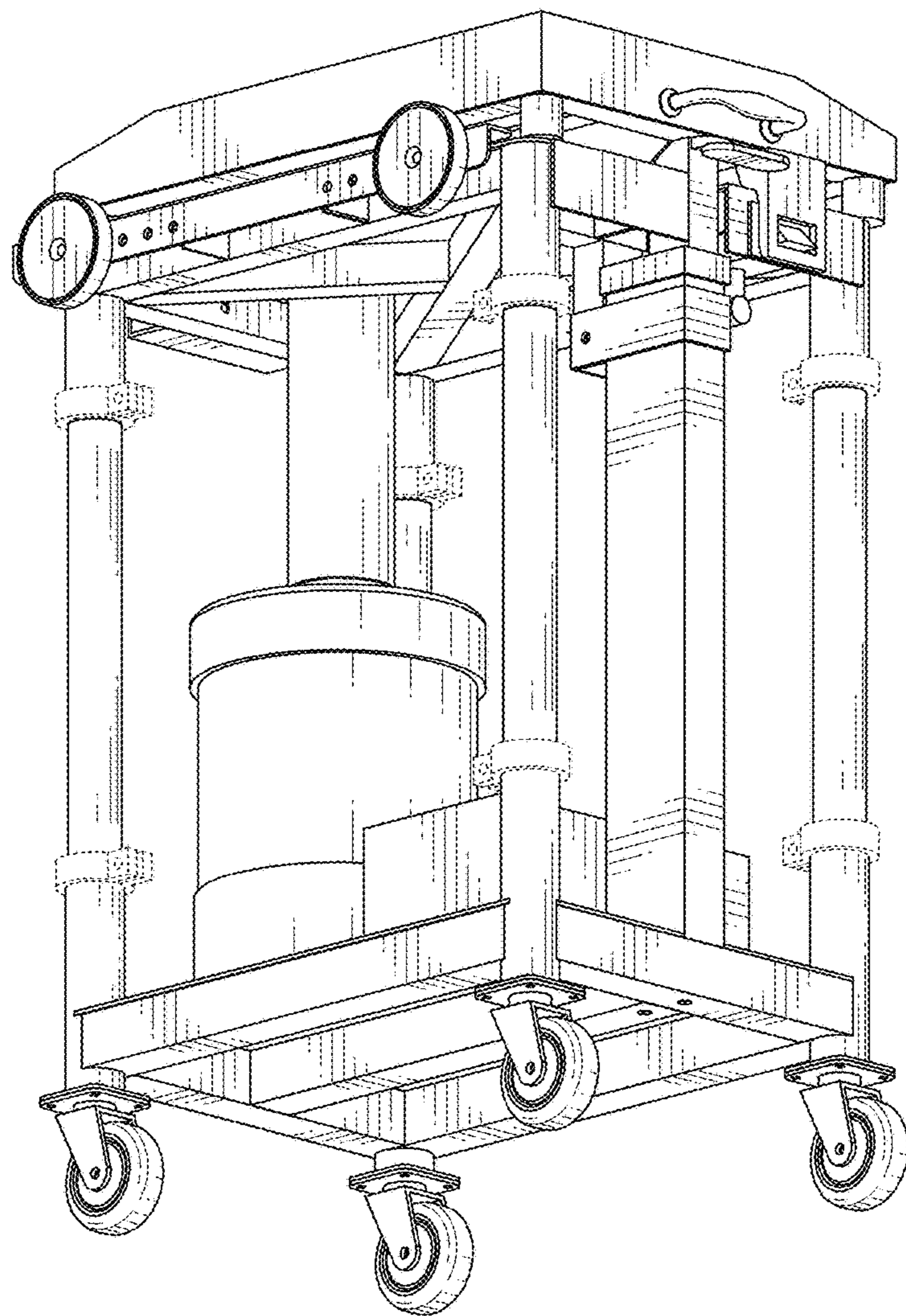


FIG. 5

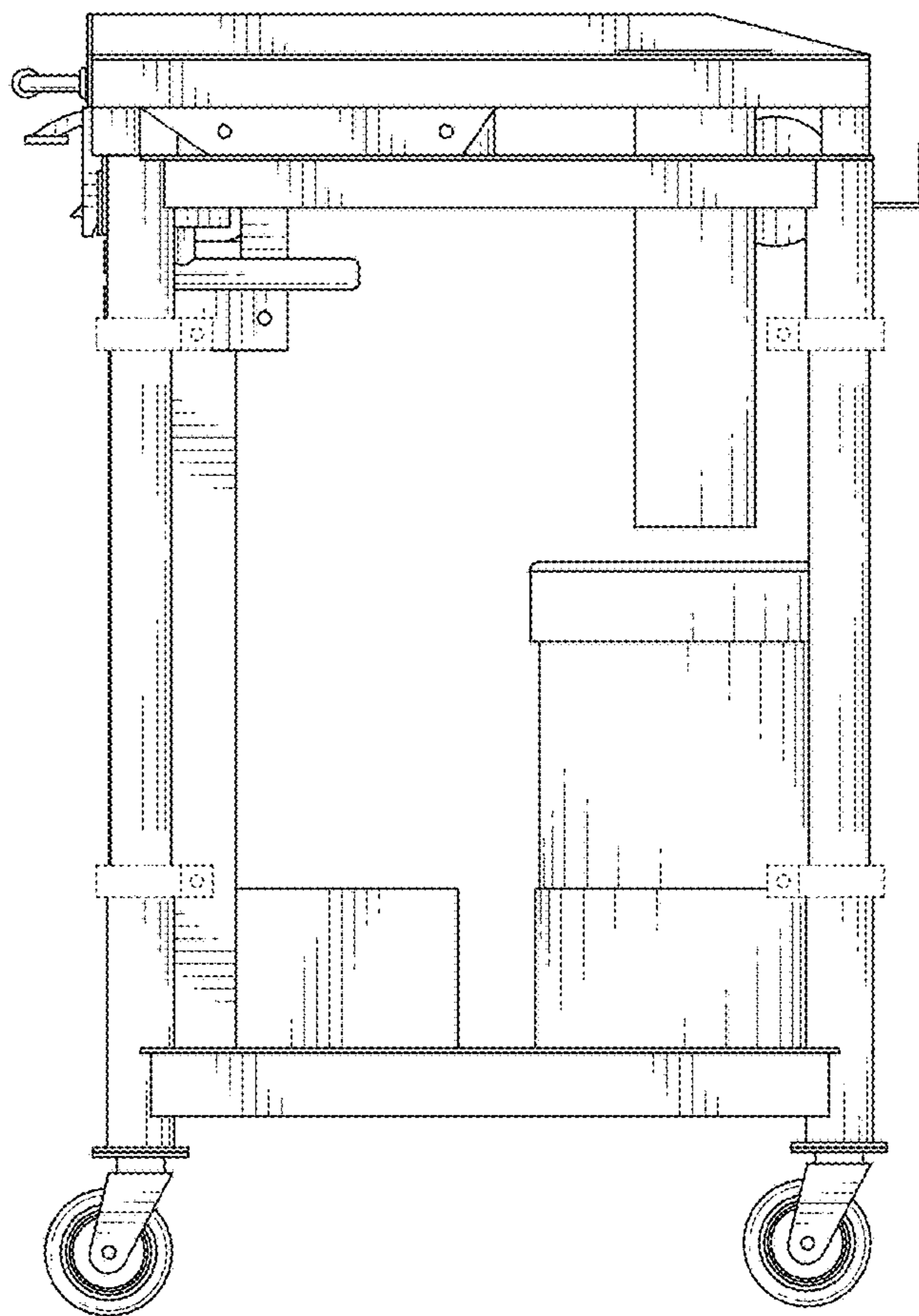


FIG. 6

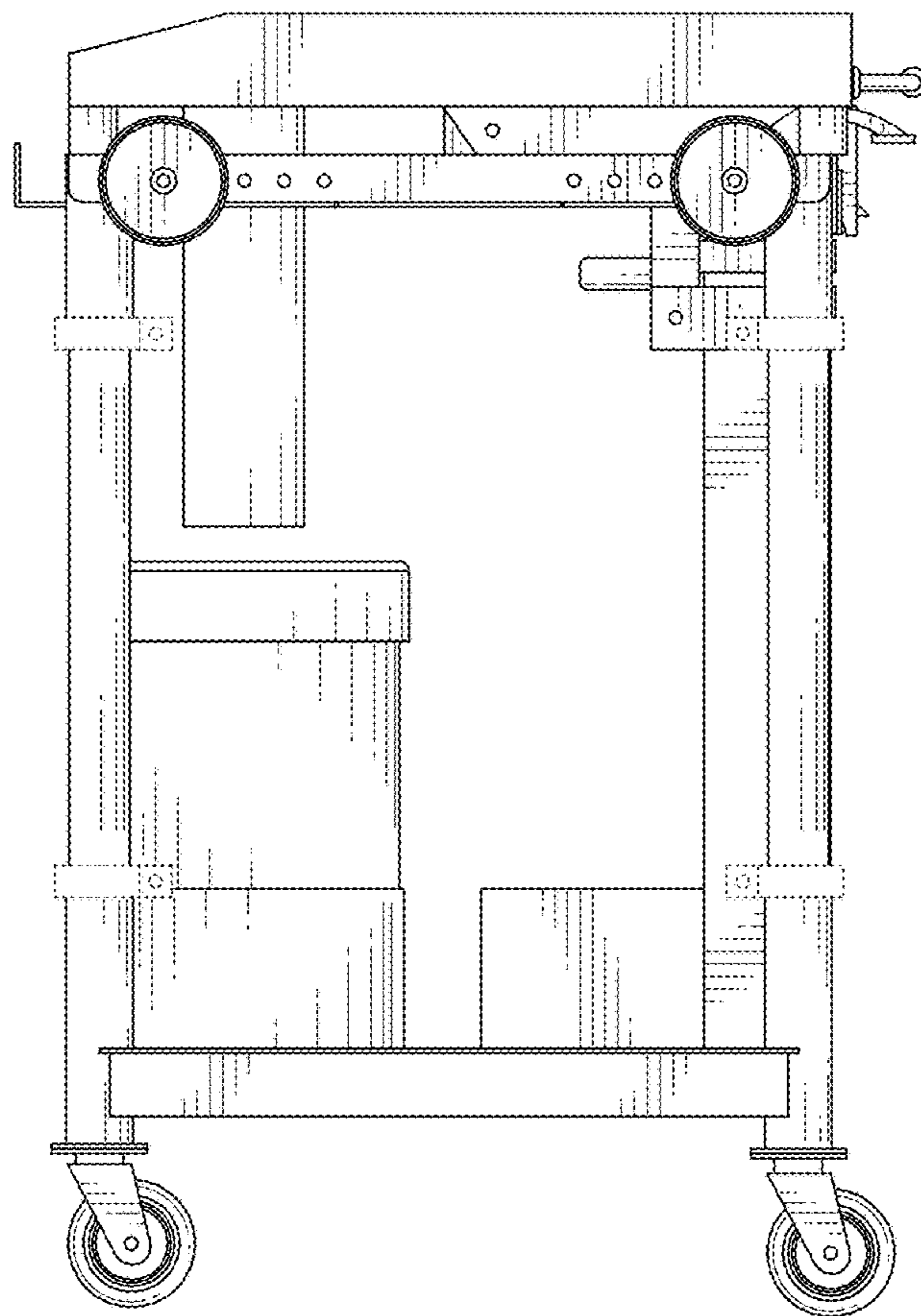


FIG. 7

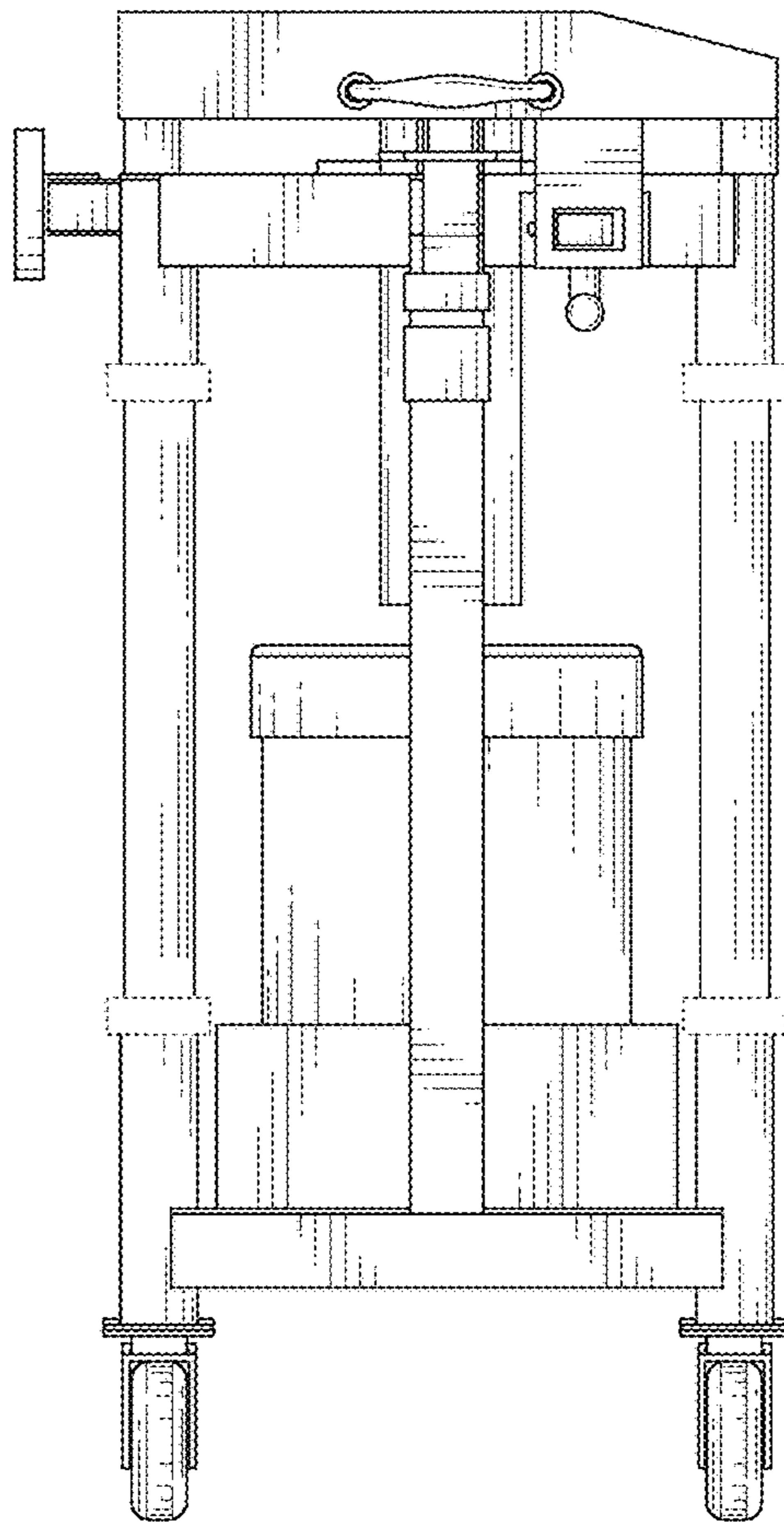


FIG. 8

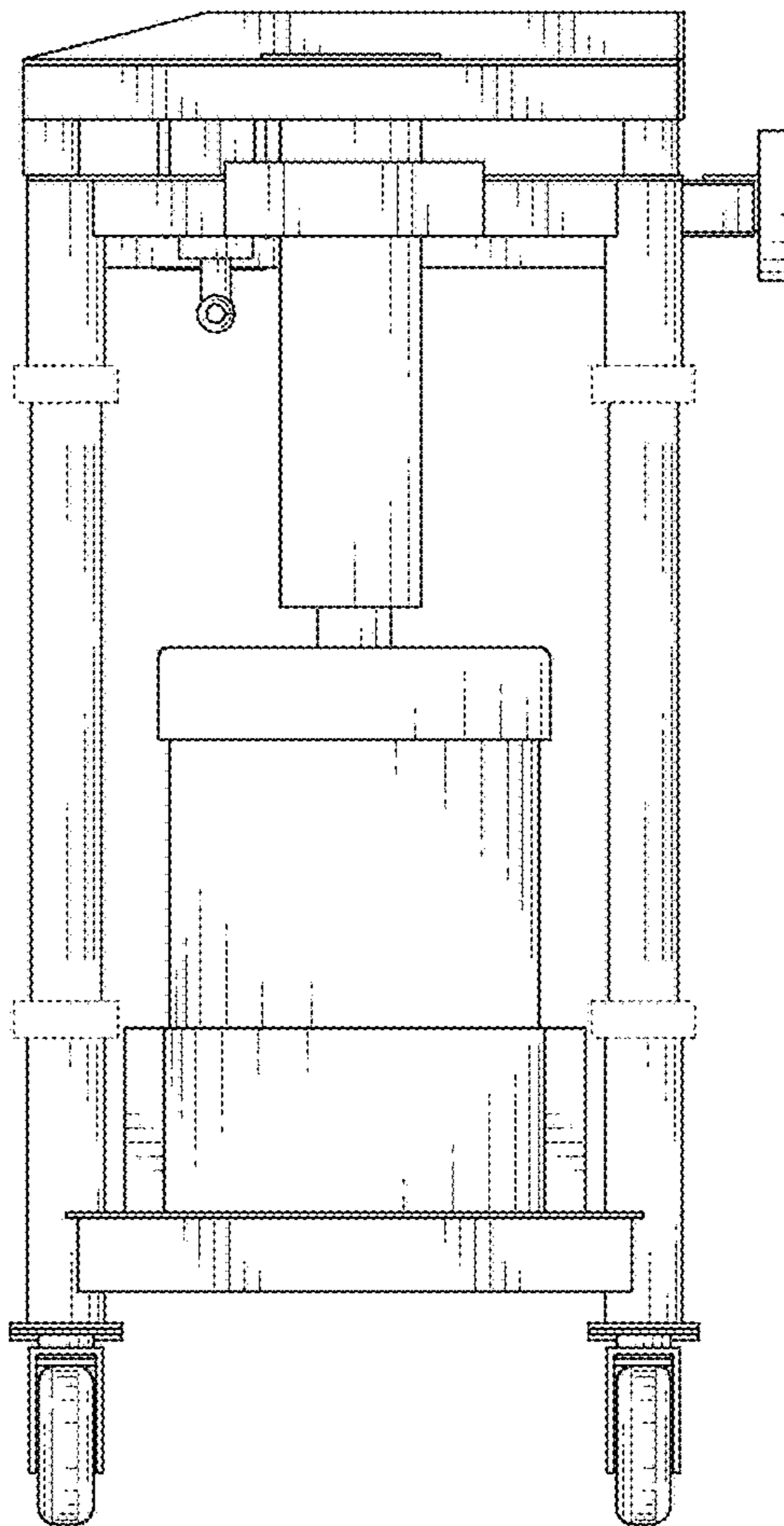


FIG. 9

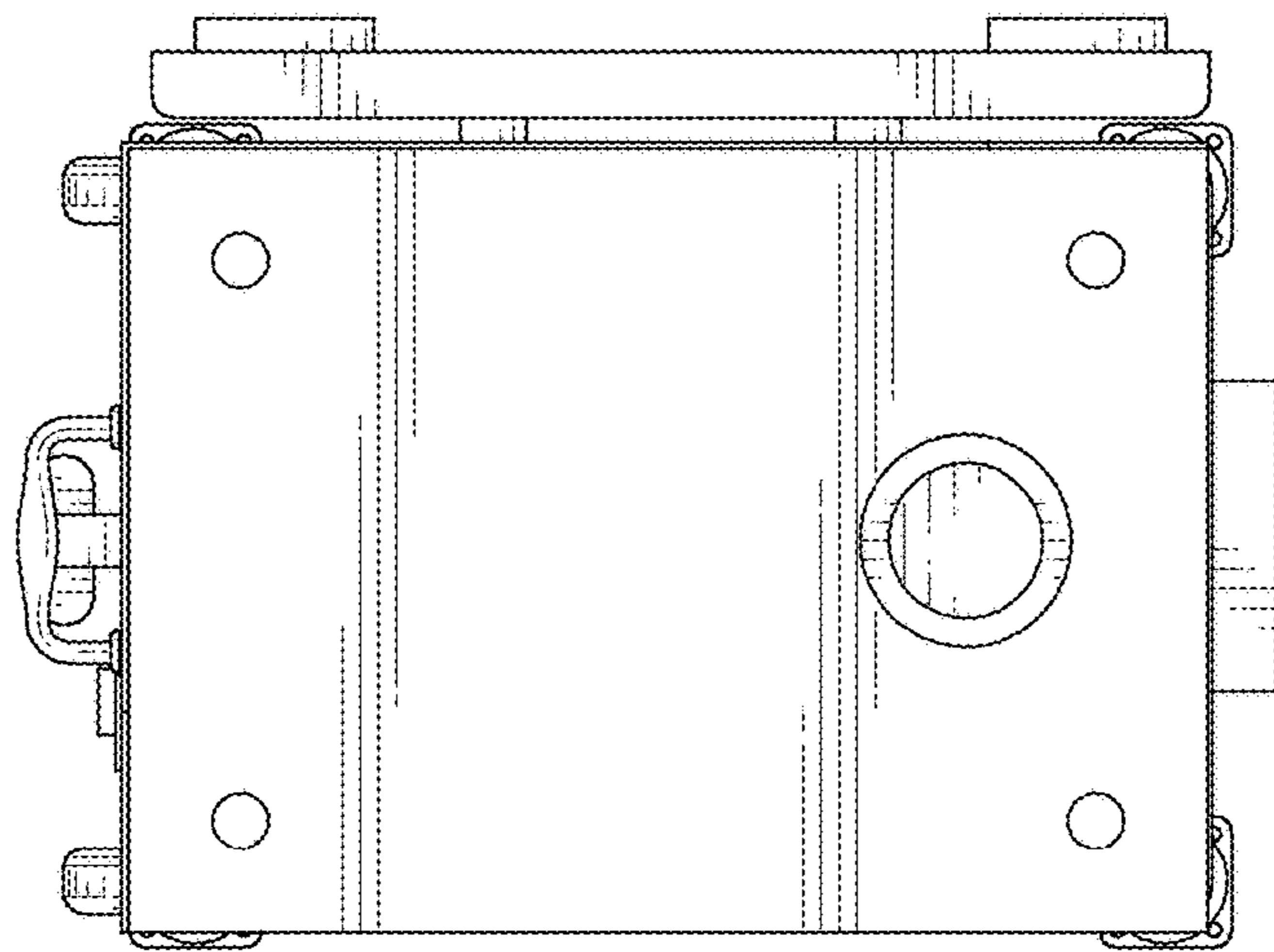


FIG. 10

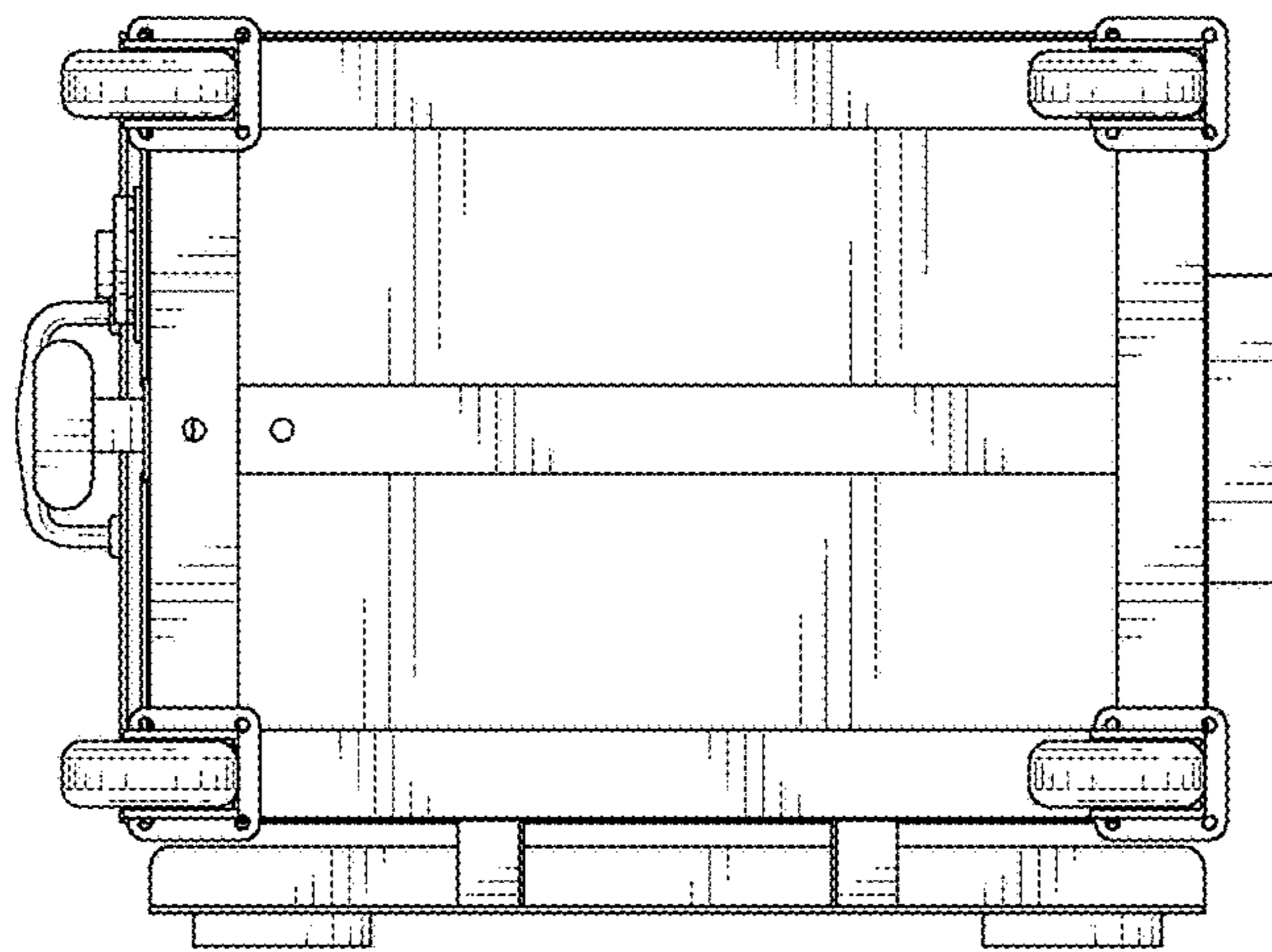


FIG. 11