

US00D862025S

(12) **United States Design Patent** (10) **Patent No.:** **US D862,025 S**  
**Walter et al.** (45) **Date of Patent:** **\*\* Oct. 1, 2019**

- (54) **CHASSIS OF A UTILITY CART**
- (71) Applicant: **AMSA, Inc.**, Boulder, CO (US)
- (72) Inventors: **Ivor Michel Walter**, Boulder, CO (US);  
**Wilson Zeng**, Foshan (CN)
- (73) Assignee: **AMSA, INC.**, Boulder, CO (US)
- (\*\*) Term: **15 Years**
- (21) Appl. No.: **29/632,146**
- (22) Filed: **Jan. 5, 2018**

- D297,677 S 9/1988 Conn
- 4,826,186 A 5/1989 Hagelin
- 4,850,604 A 7/1989 Le Marchand et al.
- D340,334 S 10/1993 Kean et al.
- D386,873 S 11/1997 Langlois d'Estaintot et al.
- D399,625 S 10/1998 Murphy et al.
- 6,739,605 B2 5/2004 Calmeise et al.
- D542,997 S 5/2007 Coderre
- D548,421 S 8/2007 Walter
- D576,372 S 9/2008 Walter
- D577,172 S 9/2008 Coderre
- D580,617 S 11/2008 Walter
- D607,173 S 12/2009 Selvig et al.

(Continued)

**Related U.S. Application Data**

- (62) Division of application No. 29/564,595, filed on May 13, 2016, now Pat. No. Des. 810,378.
- (51) **LOC (12) Cl.** ..... **12-02**
- (52) **U.S. Cl.**  
USPC ..... **D34/12**
- (58) **Field of Classification Search**  
USPC ..... D34/12-27  
CPC ..... B62B 3/02; B62B 3/002; B62B 3/006;  
B62B 3/10; B62B 3/106; B62B 3/04;  
B62B 1/10; B62B 1/264; B62B 1/14;  
B62B 1/12; B62B 1/047; B62B 1/04;  
B62B 5/002; B62B 2202/408; B62B  
2202/20  
See application file for complete search history.

**References Cited**

**U.S. PATENT DOCUMENTS**

- 2,764,419 A 9/1956 Enders
- D199,670 S 12/1964 Inglis
- 3,429,403 A 2/1969 Dreschler et al.
- D221,748 S 9/1971 Bloomfield et al.
- D226,809 S 5/1973 Cummings et al.
- D238,663 S 2/1976 Schiffman
- D240,297 S 6/1976 Trubiano
- D280,858 S 10/1985 Muellner et al.

**OTHER PUBLICATIONS**

Applicant AMSA, Inc. DBA VersaCart Systems Brochure for Orgill Spring Dealer Market 2015. 6 pages.

(Continued)

*Primary Examiner* — Cynthia Ramirez

(74) *Attorney, Agent, or Firm* — Polson Intellectual Property Law, PC; Margaret Polson

(57) **CLAIM**

The ornamental design for a chassis of a utility cart, as shown and described.

**DESCRIPTION**

FIG. 1 is a front isometric view of my new design for a utility cart.

FIG. 2 is a side elevation view of the right and left sides, which are mirror images, of FIG. 1.

FIG. 3 is a front side elevation view of FIG. 1.

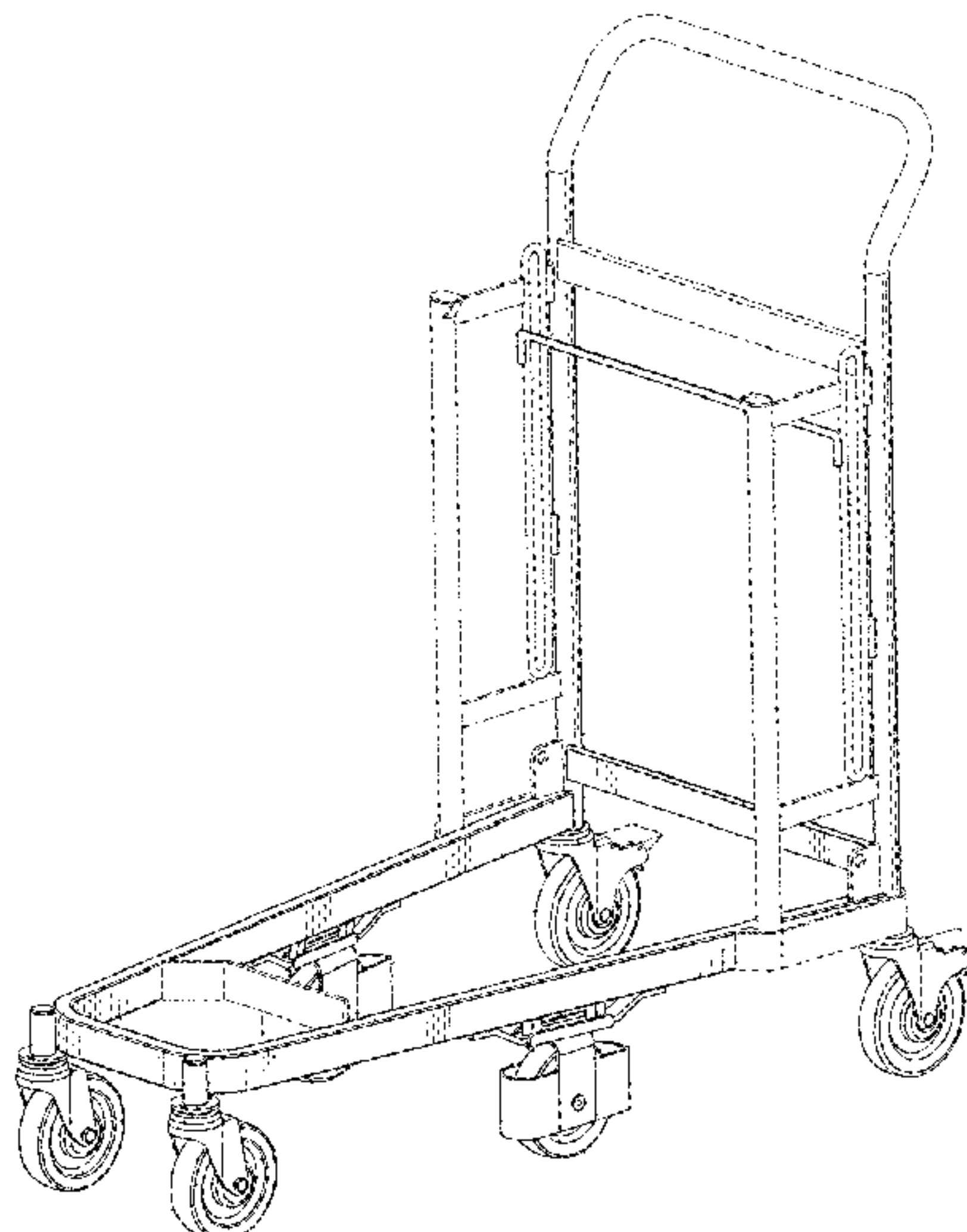
FIG. 4 is a back side elevation view of FIG. 1.

FIG. 5 is a top plan view of FIG. 1; and,

FIG. 6 is a bottom plan view of FIG. 1.

The features shown in broken lines in the drawing depict environmental subject matter only and form no part of the claimed design.

**1 Claim, 5 Drawing Sheets**



(56)

**References Cited**

U.S. PATENT DOCUMENTS

D615,723	S	5/2010	Walter	
D793,644	S	8/2017	Walter et al.	
D798,018	S	9/2017	Walter et al.	
D798,019	S	9/2017	Walter et al.	
D798,520	S	9/2017	Walter et al.	
D810,378	S *	2/2018	Walter	..... D34/12
2003/0205873	A1	11/2003	Orozco	
2009/0309322	A1	12/2009	Selvig et al.	

OTHER PUBLICATIONS

Applicant AMSA, Inc. DBA VersaCart Systems Brochure for Orgill Fall Dealer Market 2015. 6 pages.  
 Applicant AMSA, Inc. DBA VersaCart Systems Brochure for Orgill Fall Market 2012. 4 pages.  
 Applicant AMSA, Inc. DBA VersaCart Systems Brochure for Orgill Spring Dealer Market 2014. 6 pages.  
 Applicant AMSA, Inc. DBA VersaCart Systems Brochure for Orgill Fall Dealer Market 2014. 6 pages.  
 Applicant AMSA, Inc. DBA VersaCart Systems Retail & Distribution Catalog 2008. 50 pages.  
 Applicant AMSA, Inc. DBA VersaCart Systems Brochure for ACE Spring Convention 2013. 4 pages.  
 Applicant AMSA, Inc. DBA VersaCart Systems Brochure for ACE Spring Convention 2014. 4 pages.  
 Applicant AMSA, Inc. DBA VersaCart Systems Brochure for ACE Spring Convention 2015. 4 pages.  
 Applicant AMSA, Inc. DBA VersaCart Systems Brochure for ACE Spring Convention 2016. 4 pages.  
 Applicant AMSA, Inc. DBA VersaCart Systems Brochure for ACE Spring Market 2012. 2 pages.  
 Applicant AMSA, Inc. DBA VersaCart Systems Brochure for ACE Spring Convention 2017. 4 pages.  
 Applicant AMSA, Inc. DBA VersaCart Systems Brochure for Do It Best Spring Market 2017. 6 pages.

Applicant AMSA, Inc. DBA VersaCart Systems Brochure for Orgill Spring Dealer Market 2016. 6 pages.  
 Applicant AMSA, Inc. DBA VersaCart Systems Brochure for True Value Spring Reunion 2017. 2 pages.  
 Applicant AMSA, Inc. DBA VersaCart Systems SuperValu Expo flyer Aug. 3, 2016. 2 pages.  
 Applicant AMSA, Inc. DBA VersaCart Systems Unified Expo flyer Aug. 2016. 2 pages.  
 Applicant AMSA, Inc. DBA VersaCart Systems True Value flyer Fall Reunion 2017. 2 pages.  
 Applicant AMSA, Inc. DBA VersaCart Systems True Value flyer Fall Reunion 2016. 2 pages.  
 Applicant AMSA, Inc. DBA VersaCart Systems Brochure for ACE Fall Convention 2016. 4 pages.  
 Applicant AMSA, Inc. DBA VersaCart Systems Brochure for ACE Fall Convention 2017. 4 pages.  
 Applicant AMSA, Inc. DBA VersaCart Systems Brochure for Do It Best Fall Market 2016. 6 pages.  
 Applicant AMSA, Inc. DBA VersaCart Systems Brochure for Do It Best Fall Market 2017. 6 pages.  
 Applicant AMSA, Inc. DBA VersaCart Systems Brochure for Orgill Fall Dealer Market Las Vegas 2016. 6 pages.  
 Applicant AMSA, Inc. DBA VersaCart Systems Brochure for Orgill Fall Dealer Market Boston 2016. 6 pages.  
[http://www.premiercarts.com/warehouse\\_carts.htm](http://www.premiercarts.com/warehouse_carts.htm) Material Handling Warehouse Carts.  
 MarkeTools Stock Trucks Scan of website [<http://www.marketools.net/stocktrucks.html>] showing prior art carts manufactured by MarkeTools.  
 MarkeTools Shopping carts Scan of website [<http://www.marketools.net/shoppingcarts.html>] showing prior art carts manufactured by MarkeTools.  
[http://www.premiercarts.com/wagon\\_carts.htm](http://www.premiercarts.com/wagon_carts.htm) Material Handling Wagon Carts.  
[http://www.premiercarts.com/Premier\\_Carts\\_general\\_catalog](http://www.premiercarts.com/Premier_Carts_general_catalog).  
<http://www.marketools.net> MarkeTools general catalog.

\* cited by examiner

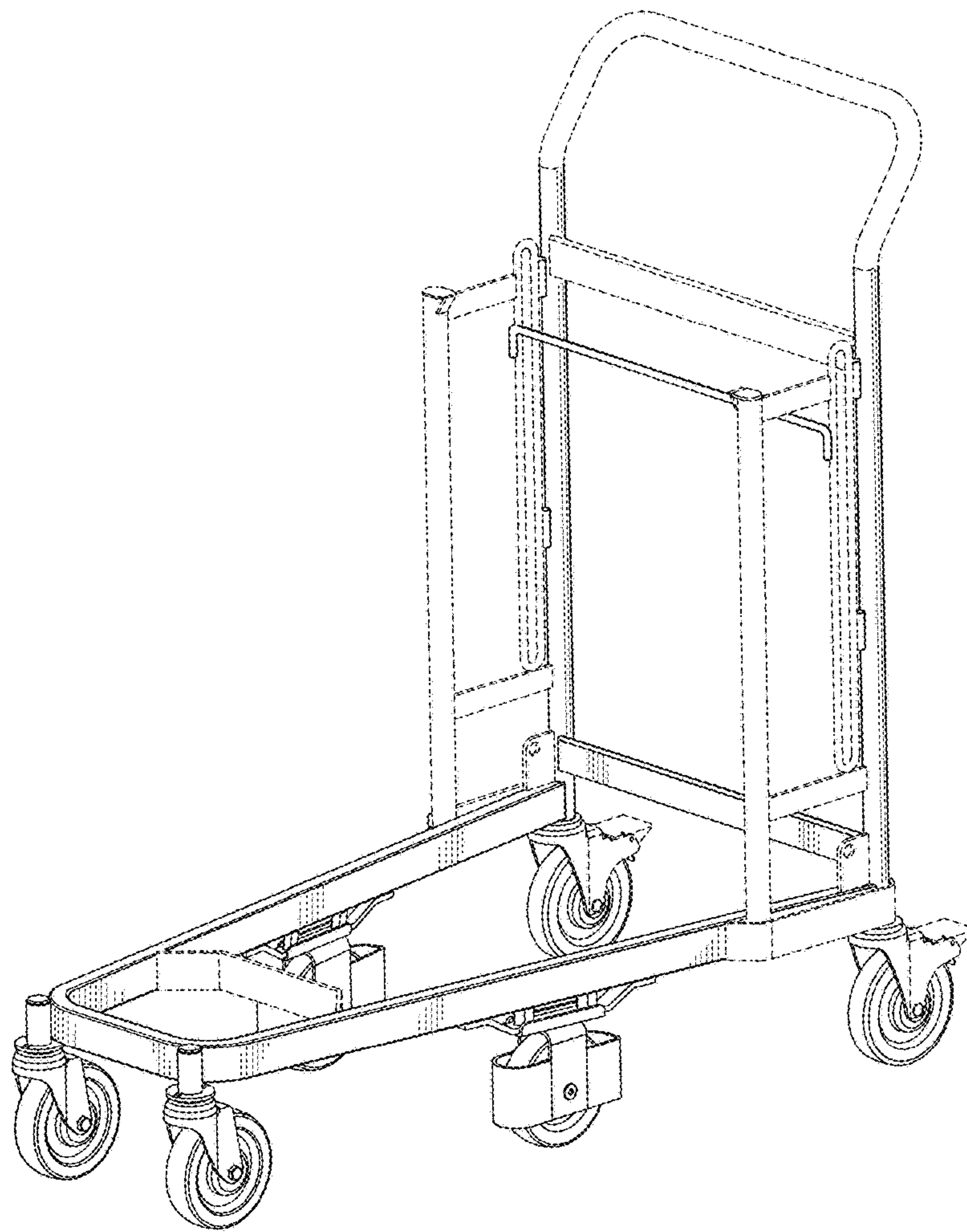


FIG.1



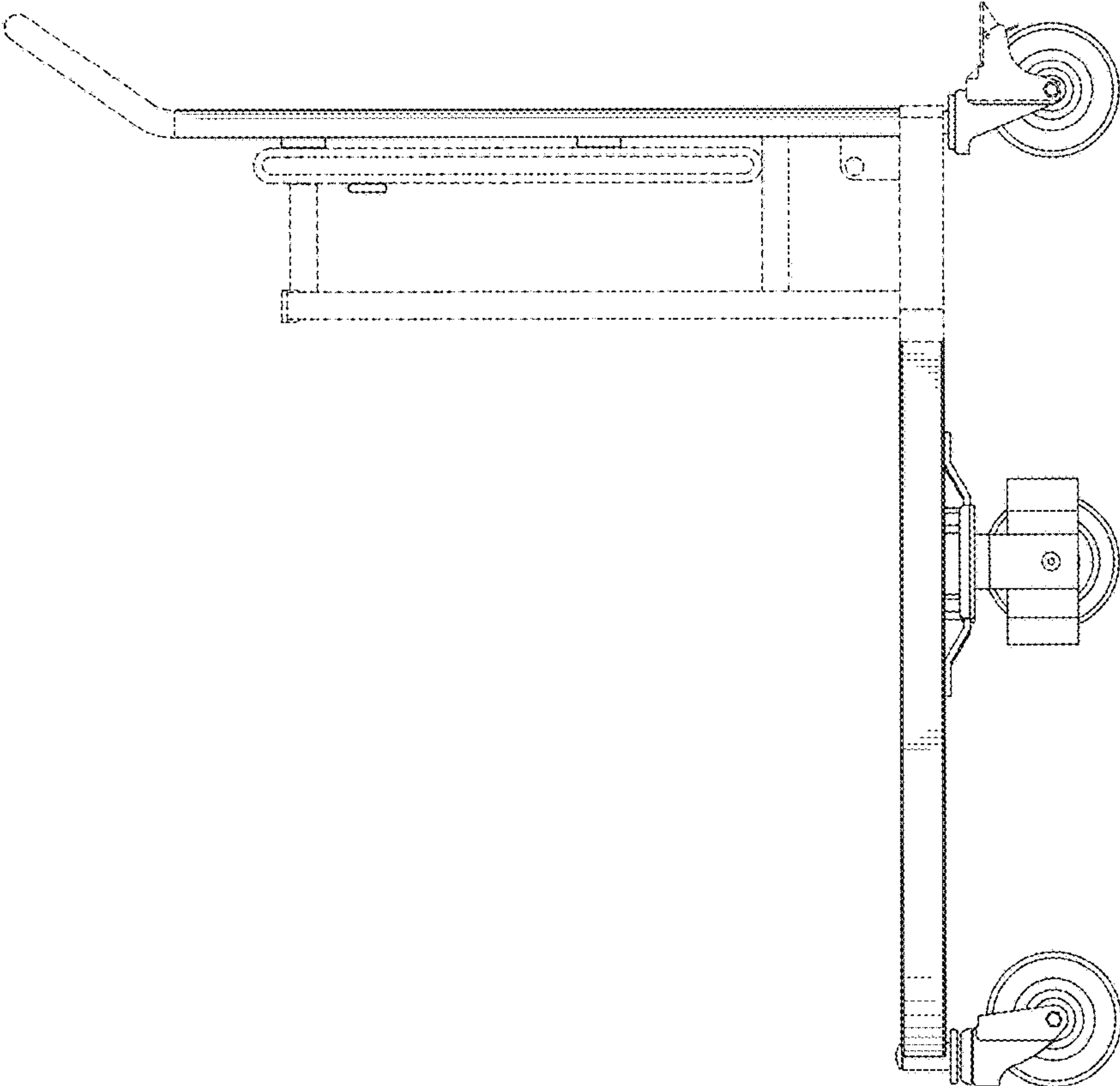


FIG.2

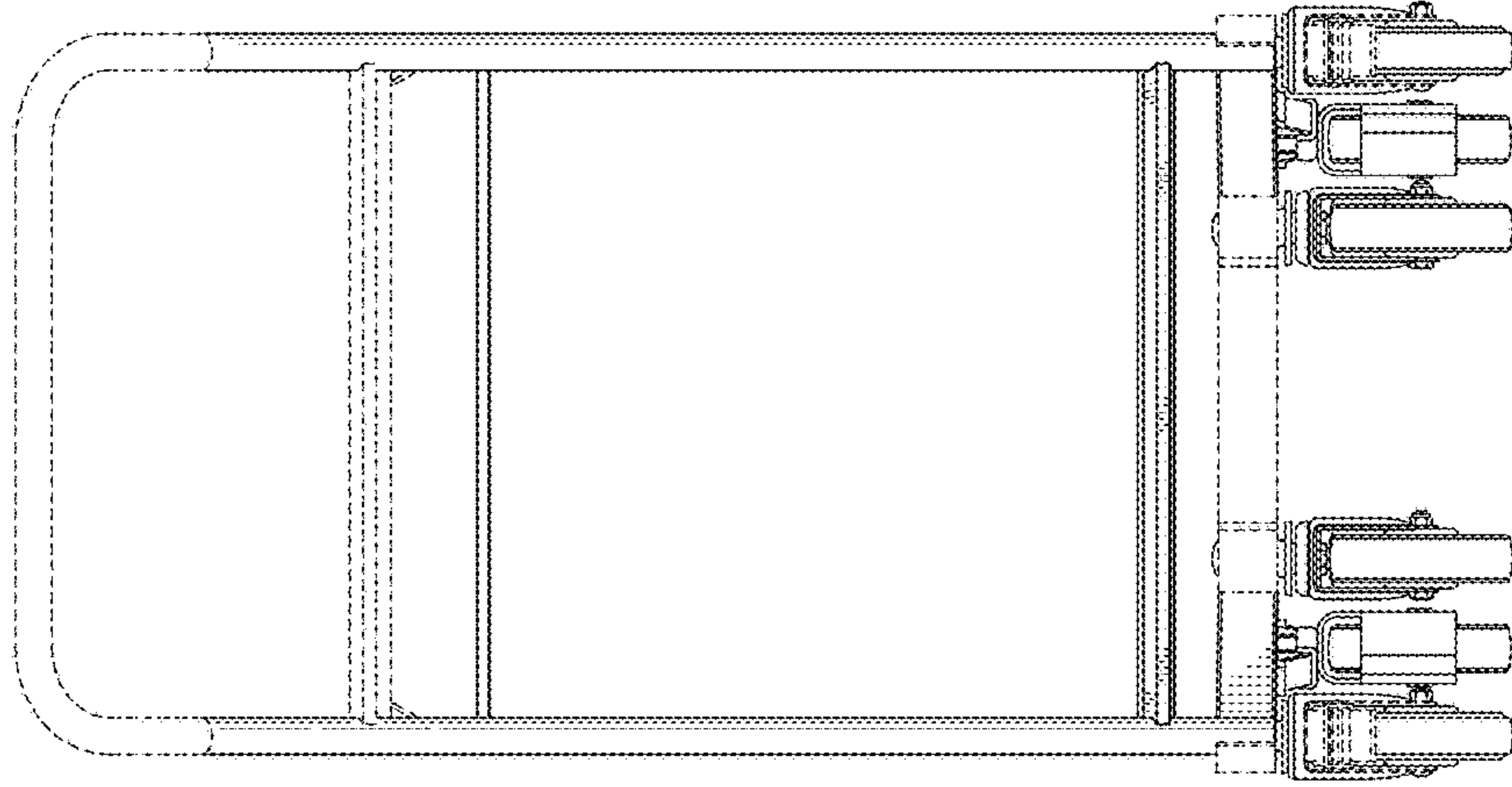


FIG.4

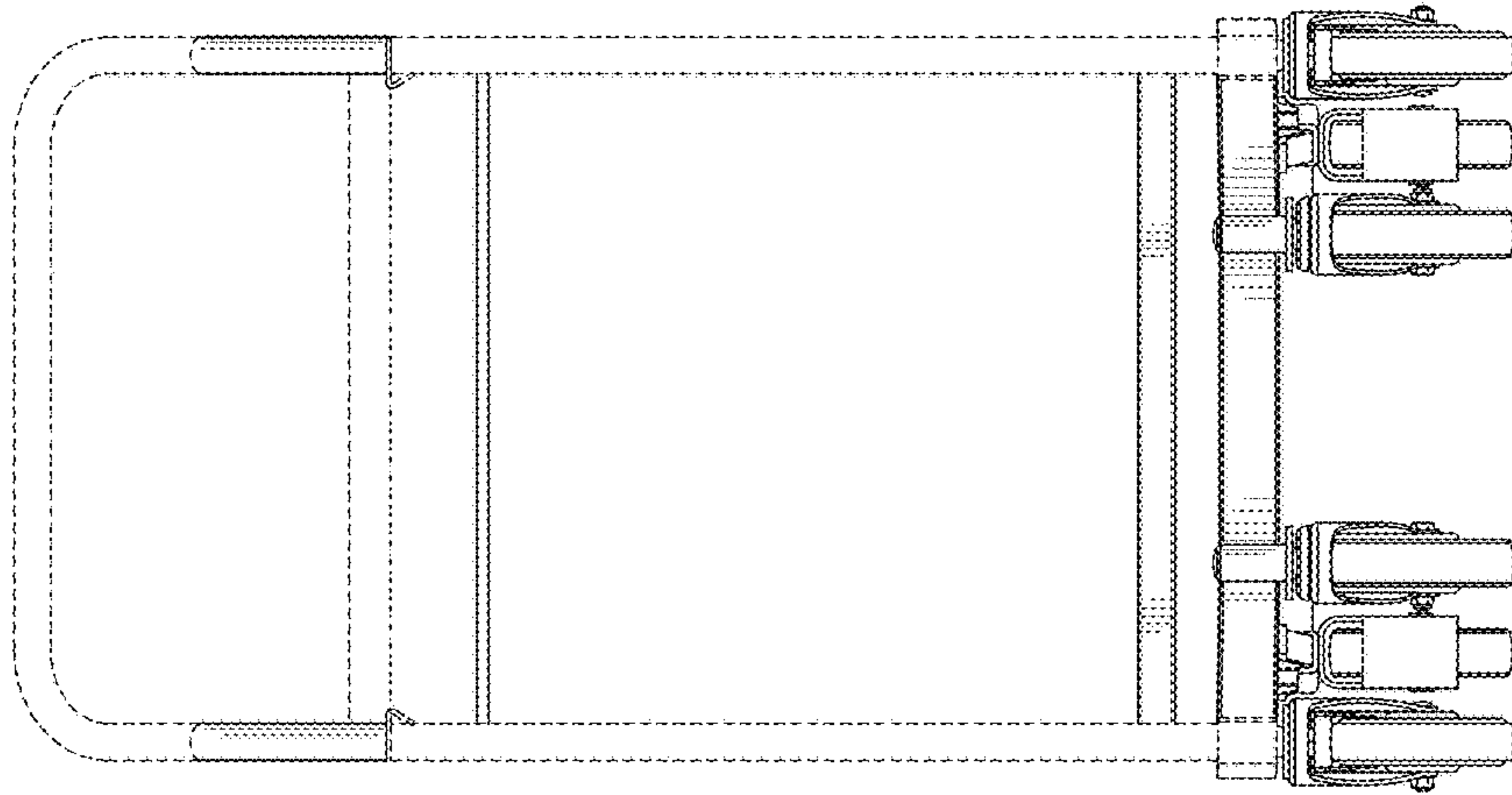


FIG.3

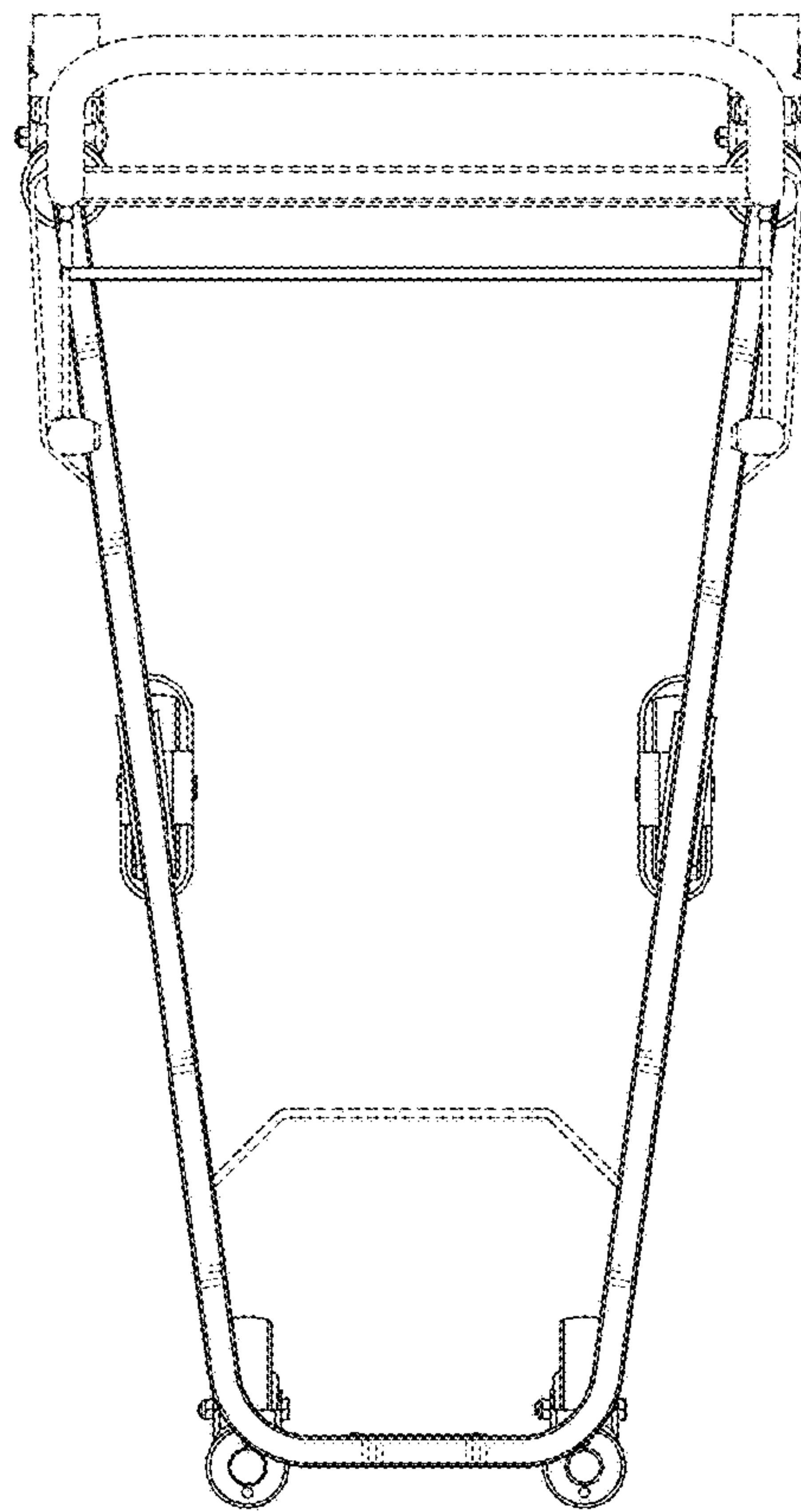


FIG.5

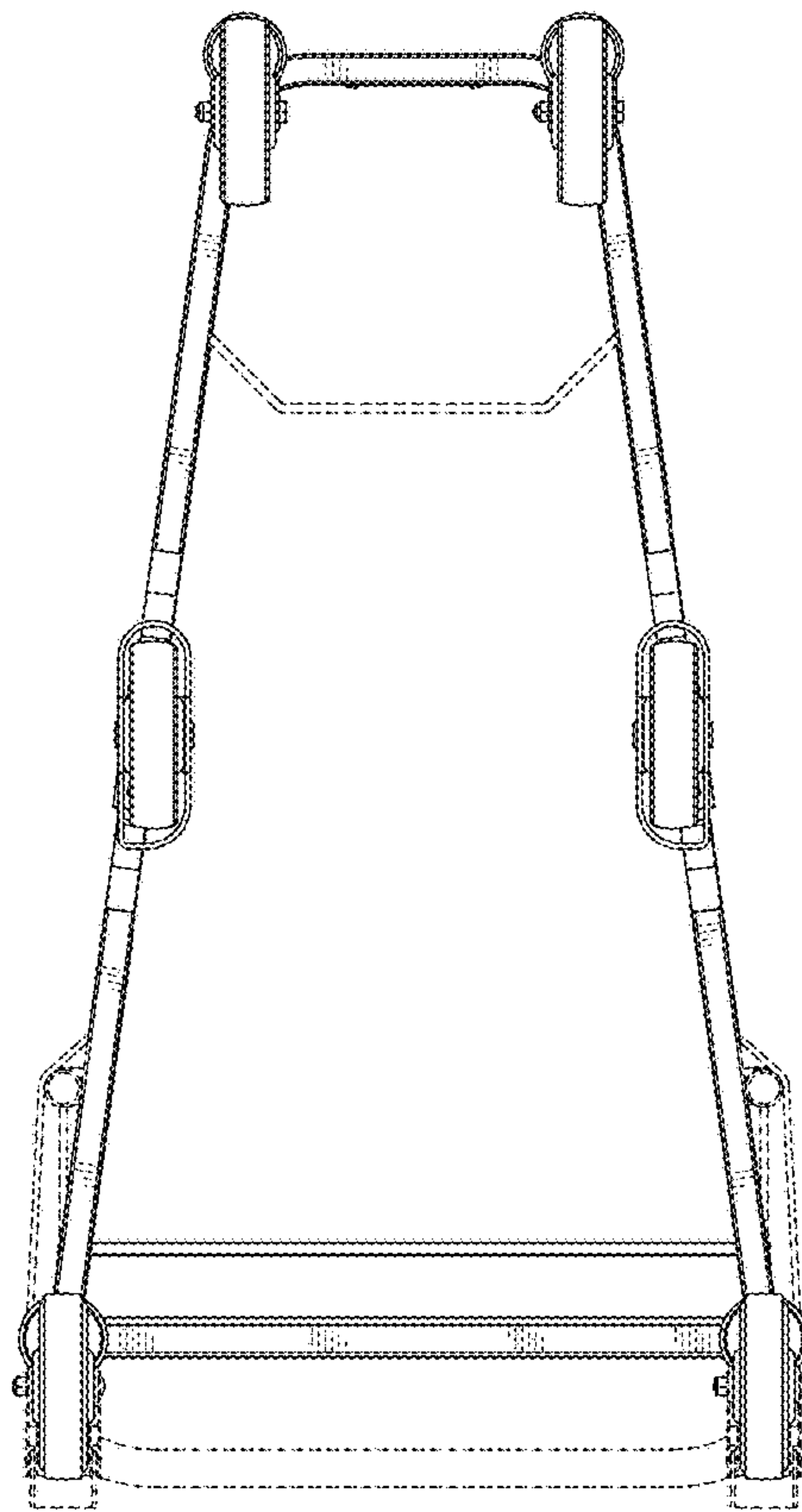


FIG.6