



US00D862024S

(12) **United States Design Patent**
Snyder et al.

(10) **Patent No.:** **US D862,024 S**
(45) **Date of Patent:** **** Oct. 1, 2019**

(54) **DUMP BIN**

(71) Applicant: **Grabber Construction Products, Inc.**,
Highland, UT (US)

(72) Inventors: **Jesse Roland Snyder**, Highland, UT
(US); **Hongtao Fang**, Shanghai (CN);
Jiajiang Mu, Shanghai (CN)

(73) Assignee: **GRABBER CONSTRUCTION**
PRODUCTS, INC., Highland, UT (US)

(**) Term: **15 Years**

(21) Appl. No.: **29/648,917**

(22) Filed: **May 24, 2018**

(30) **Foreign Application Priority Data**

Feb. 23, 2018 (CN) 2018 1 0154702
Feb. 23, 2018 (CN) 2018 2 0263283
Feb. 23, 2018 (CN) 2018 3 0071387

(51) **LOC (12) Cl.** **09-09**

(52) **U.S. Cl.**
USPC **D34/5**

(58) **Field of Classification Search**
USPC D23/202, 203, 207; D34/1, 2, 3, 4, 5, 6,
D34/7, 8, 9, 10, 11, 39; 220/252, 62.13,
220/484, 569, 4.04, 703, 737, 748, 908,
220/908.1, 908.2, 909, 495.08, 211, 262,
220/263, 212; D9/737, 738, 770, 772,
D9/777, 778
CPC .. B65F 1/004; B65F 1/1473; B65F 2240/138;
B62B 2202/20
See application file for complete search history.

(56) **References Cited**

U.S. PATENT DOCUMENTS

3,628,685 A * 12/1971 Gordon B65F 1/02
D34/3
D260,753 S * 9/1981 Partain D34/17

D262,612 S * 1/1982 Rockman D34/5
D291,134 S * 7/1987 DeMars D34/5
4,749,101 A * 6/1988 Durkan, Jr. B65F 1/1646
220/908
D297,378 S * 8/1988 Briscoe D34/11
4,765,503 A * 8/1988 Otto B65F 1/122
D34/7
D302,884 S * 8/1989 Poisat D34/5
D303,306 S * 9/1989 Briscoe D34/5
D303,307 S * 9/1989 Juergens D34/19

(Continued)

OTHER PUBLICATIONS

Grabber, Reinforced Professional-Grade Dump Cart, Feb. 7, 2019.
[http://www.grabberman.com/ItemDetails.aspx?offsetp=2&strtp=1](http://www.grabberman.com/ItemDetails.aspx?offsetp=2&strtp=1&itemid=GDCF34&dTab=pricing)
&itemid=GDCF34&dTab=pricing. Shown on p. 1. (Year: 2019).*

Primary Examiner — Cynthia Ramirez

Assistant Examiner — Michael A Maharajh

(74) *Attorney, Agent, or Firm* — Workman Nydegger

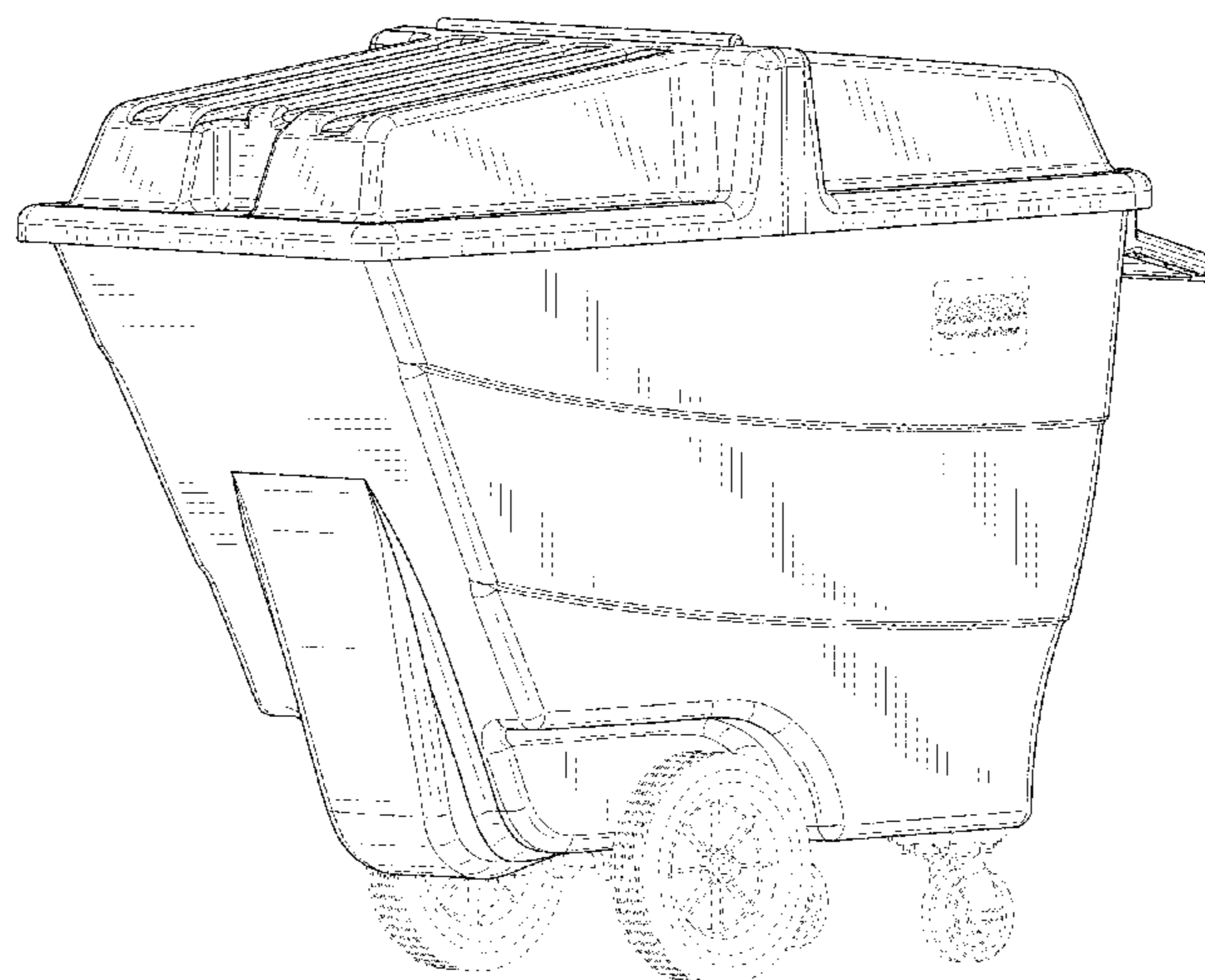
(57) **CLAIM**

The ornamental design for a dump bin, as shown and described.

DESCRIPTION

FIG. 1 is a front perspective view of a dump bin, showing our new design.
FIG. 2 is a rear perspective view of the dump bin of FIG. 1.
FIG. 3 is a bottom perspective view of the dump bin of FIG. 1.
FIG. 4 is a left side view of the dump bin of FIG. 1.
FIG. 5 is a right side view of the dump bin of FIG. 1.
FIG. 6 is a top view of the dump bin of FIG. 1.
FIG. 7 is a bottom view of the dump bin of FIG. 1.
FIG. 8 is a rear view of the dump bin of FIG. 1; and,
FIG. 9 is a front view of the dump bin of FIG. 1.
Broken lines in the Figures illustrate portions of the dump bin that form no part of the claimed design.

1 Claim, 9 Drawing Sheets



(56)

References Cited

U.S. PATENT DOCUMENTS

5,071,024 A * 12/1991 Delmerico B65D 43/24
 220/908
 D327,758 S * 7/1992 Farrell D34/25
 5,217,135 A * 6/1993 Smith B65F 1/1646
 220/908
 5,251,780 A * 10/1993 Lee B65F 1/1468
 220/908
 D343,490 S * 1/1994 Ramsey D34/5
 D347,095 S * 5/1994 Apps D34/5
 5,465,844 A * 11/1995 Lee B65F 1/1473
 220/908
 D365,428 S * 12/1995 Prout D34/5
 5,482,180 A * 1/1996 Smith B65F 1/0046
 220/908
 D373,022 S * 8/1996 Sagol D3/279
 D375,597 S * 11/1996 Lee D34/5
 D381,160 S * 7/1997 Lee D34/5
 D381,164 S * 7/1997 Prout D34/19
 D383,279 S * 9/1997 Brescia D34/5
 D383,581 S * 9/1997 Ordonez D34/24
 D388,577 S * 12/1997 Rehrig D34/5
 D389,970 S * 1/1998 Darnell D34/1
 5,730,451 A * 3/1998 Walker B65F 1/1468
 220/908
 D411,784 S * 7/1999 Houry D34/19

6,019,242 A * 2/2000 Wysocki B65F 1/004
 220/571
 6,053,354 A * 4/2000 Niemeyer B65F 1/1473
 220/908
 D468,071 S * 12/2002 Le D34/19
 D507,089 S * 7/2005 Enayati D34/1
 D517,265 S * 3/2006 Berres, Jr. D34/3
 D552,320 S * 10/2007 Presnell D34/5
 D554,823 S * 11/2007 Jones D34/7
 D555,861 S * 11/2007 Larin D34/1
 D556,971 S * 12/2007 Hatamian D34/7
 D560,049 S * 1/2008 Hatamian D34/3
 D577,171 S * 9/2008 Moore D34/3
 8,096,565 B2 * 1/2012 Meers B65F 1/02
 220/908
 8,146,774 B2 * 4/2012 Parker B65F 1/122
 220/908
 D680,292 S * 4/2013 Liao D34/5
 D707,905 S * 6/2014 Nolet D34/5
 D707,906 S * 6/2014 Nolet D34/5
 D707,907 S * 6/2014 Nolet D34/5
 D707,908 S * 6/2014 Nolet D34/5
 D771,893 S * 11/2016 Del Rosario Roy D34/5
 D789,012 S * 6/2017 Labrecque D34/5
 D827,967 S * 9/2018 Foster D34/5

* cited by examiner

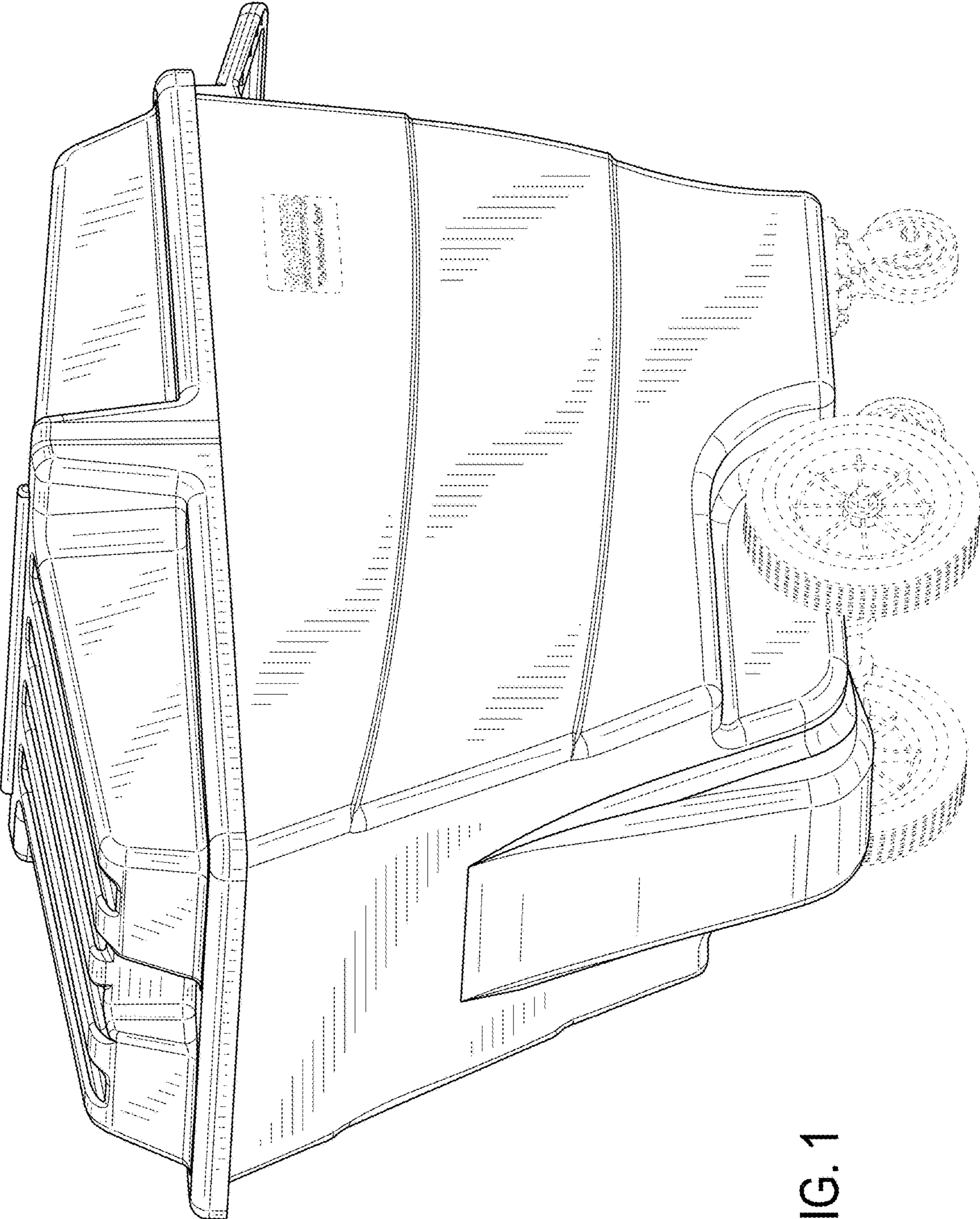


FIG. 1

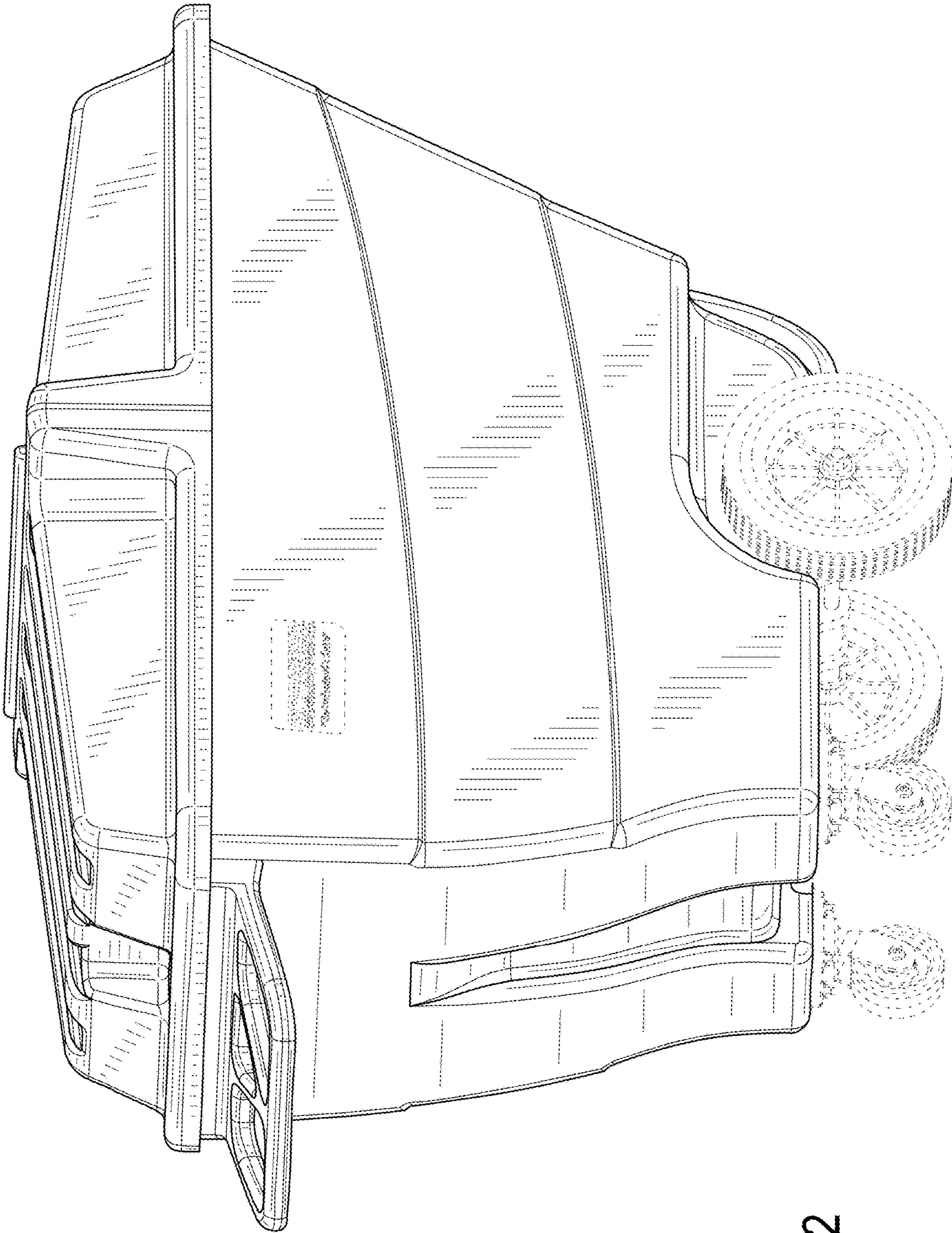


FIG. 2

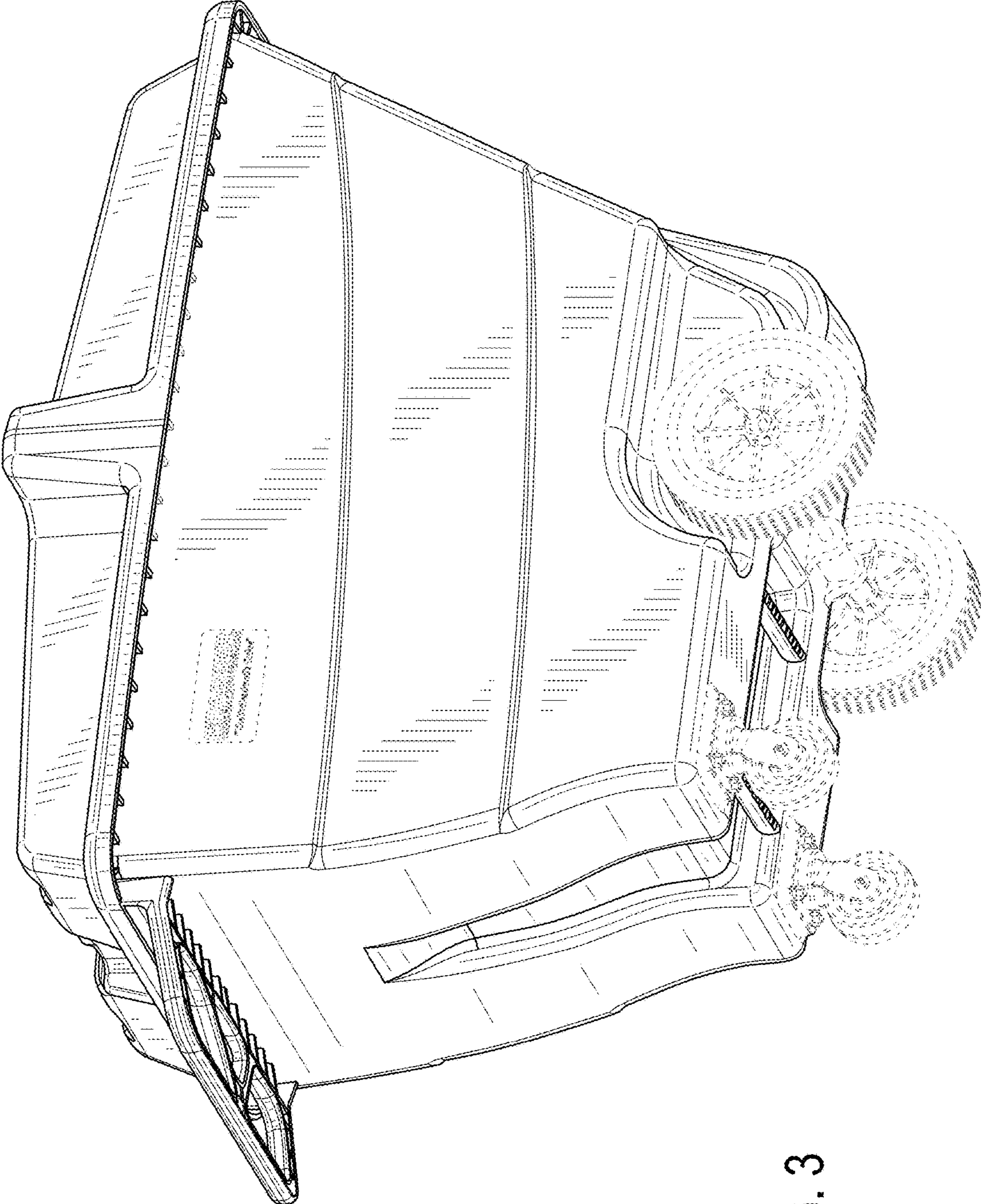


FIG. 3

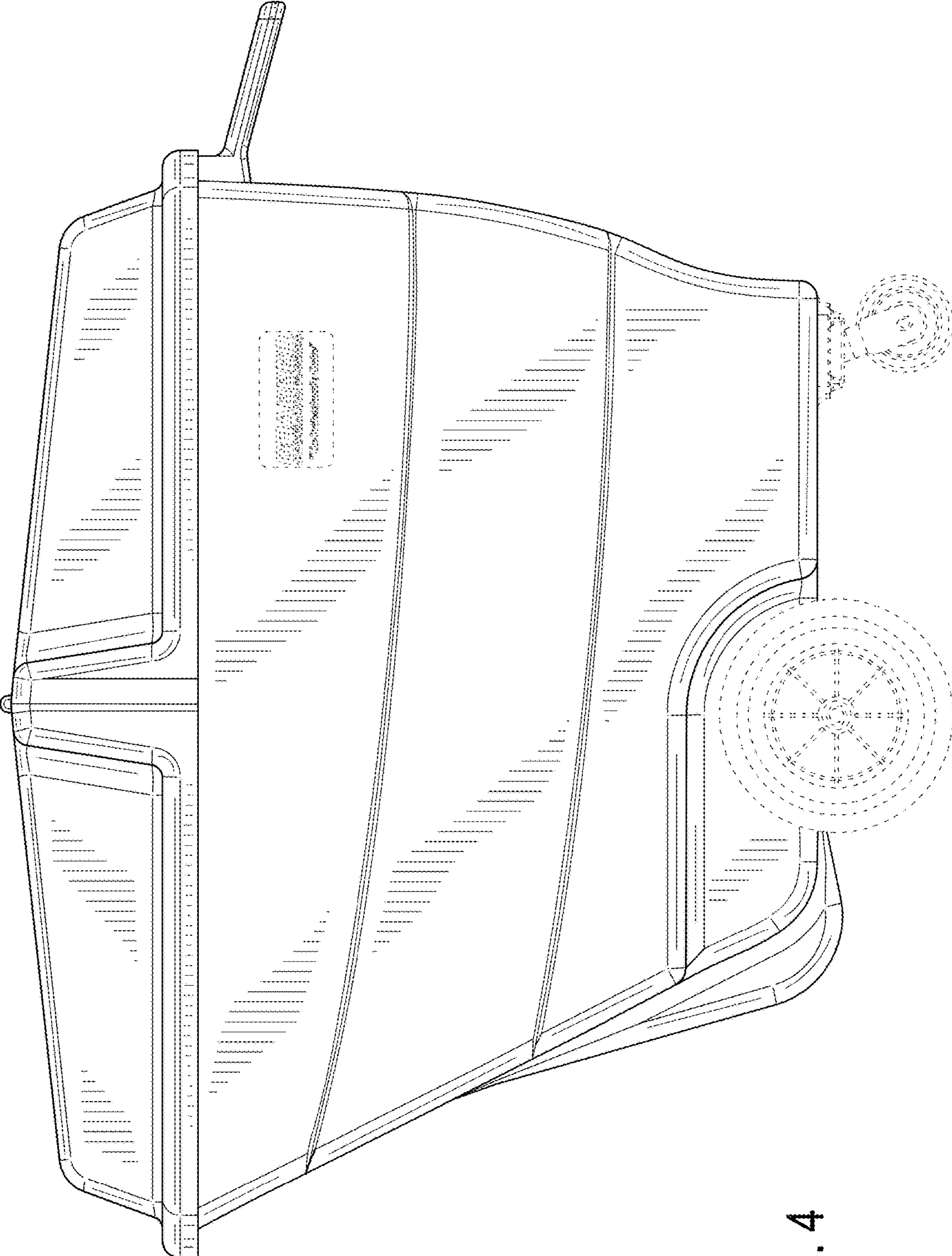


FIG. 4

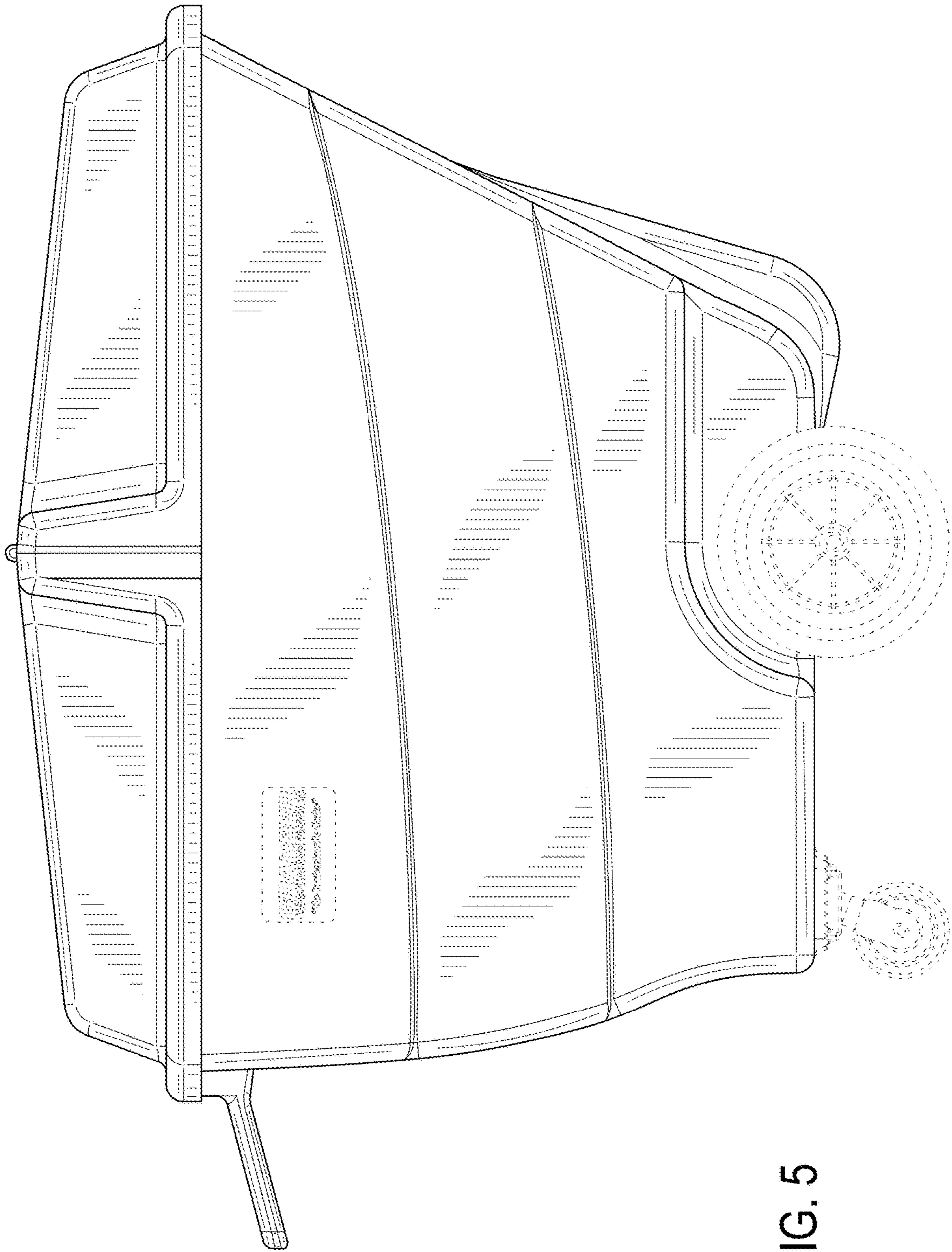


FIG. 5

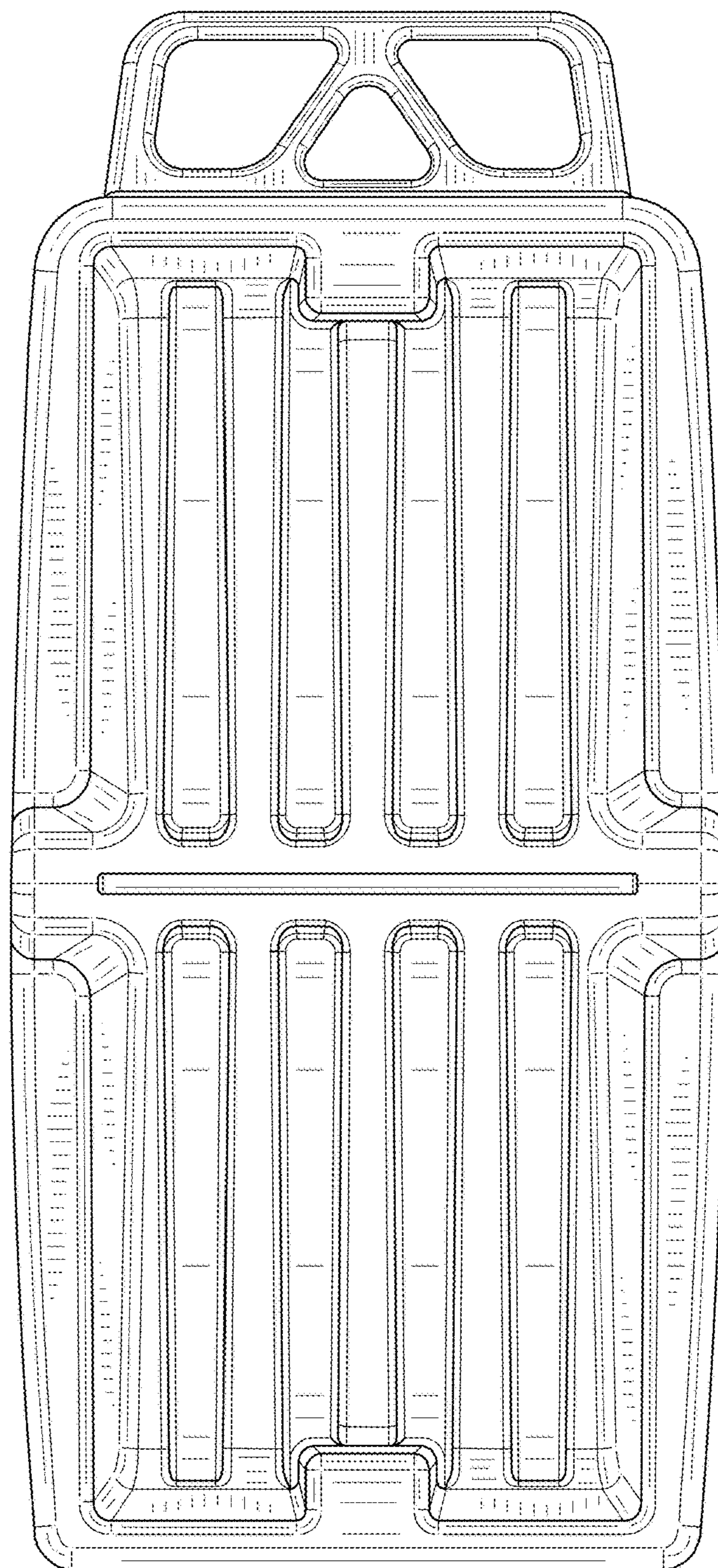


FIG. 6

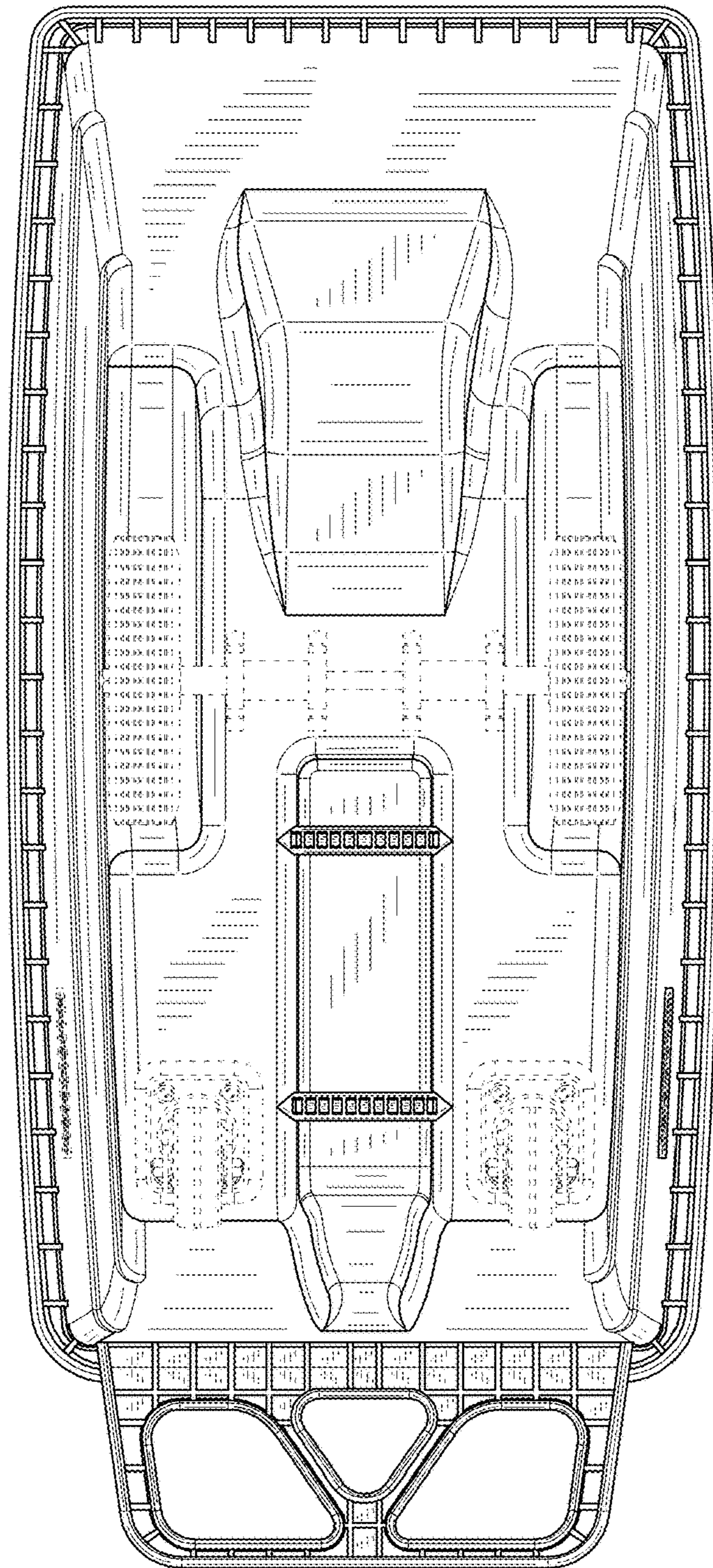


FIG. 7

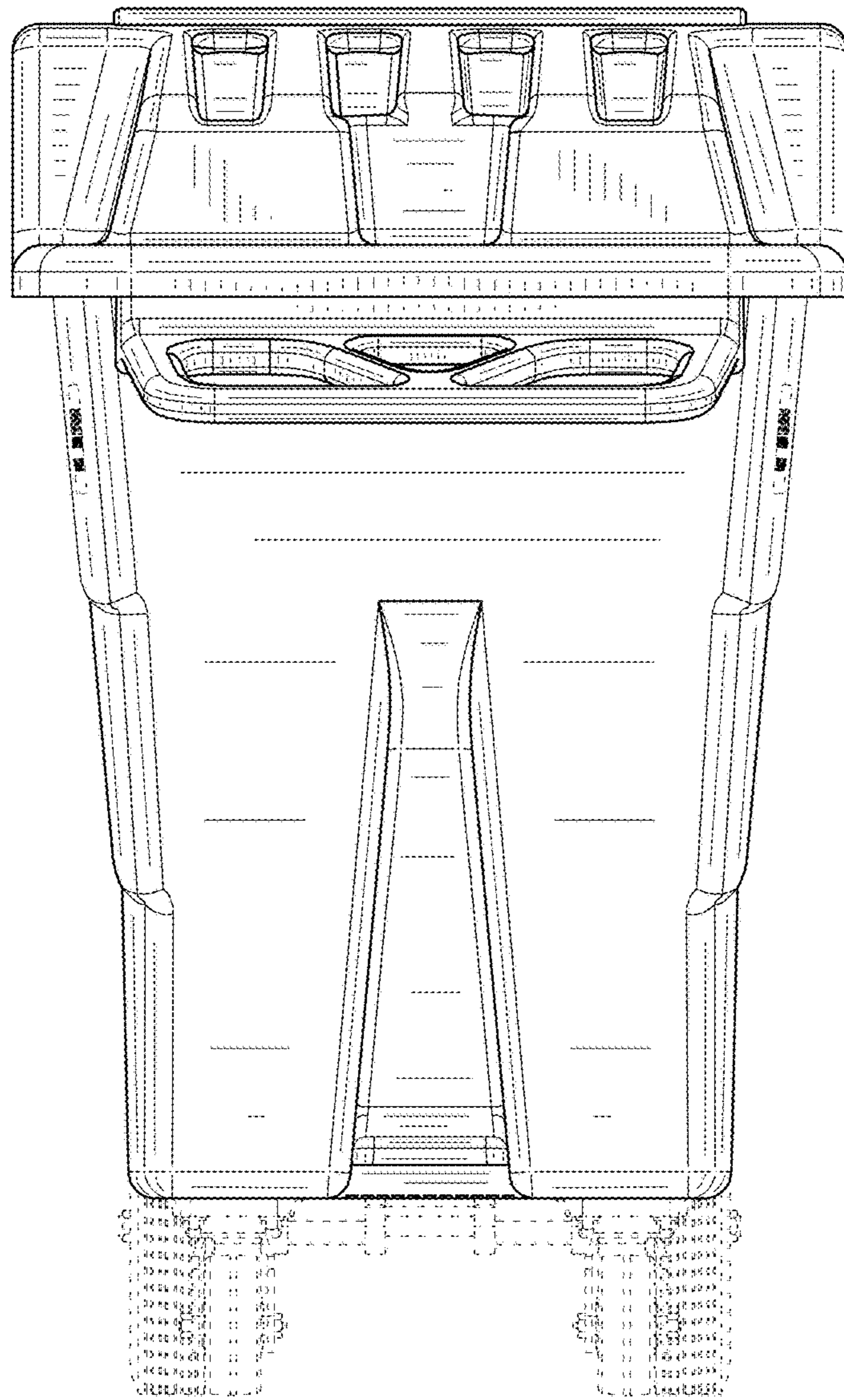


FIG. 8

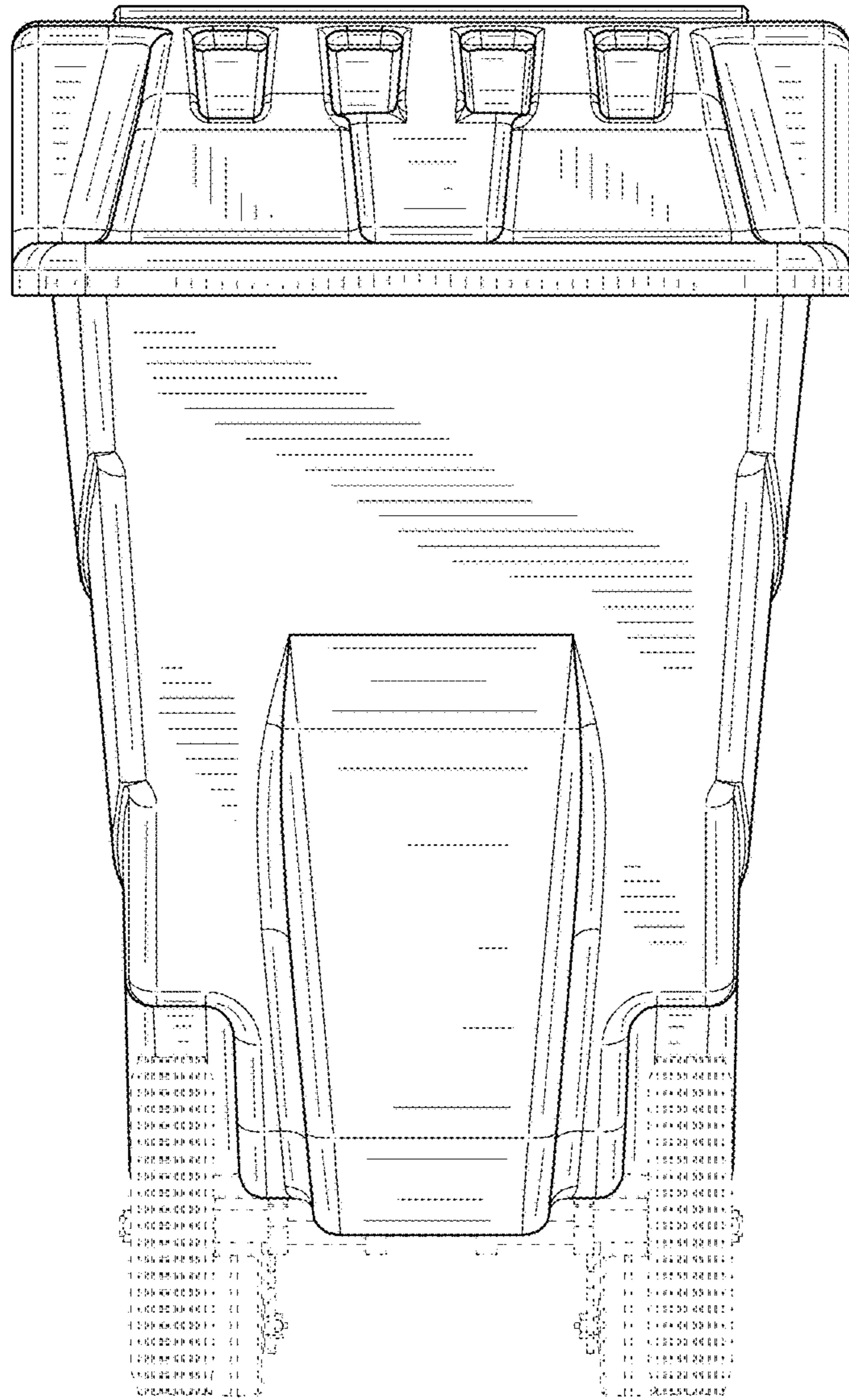


FIG. 9