



US00D862022S

(12) **United States Design Patent** (10) **Patent No.:** **US D862,022 S**
La Rovere et al. (45) **Date of Patent:** **** Oct. 1, 2019**

(54) **STEAM GENERATOR FOR IRON**
(71) Applicant: **KONINKLIJKE PHILIPS N.V.**,
Eindhoven (NL)
(72) Inventors: **Massimiliano La Rovere**, Eindhoven
(NL); **Xue Xiao**, Eindhoven (NL)
(73) Assignee: **KONINKLIJKE PHILIPS N.V.**,
Eindhoven (NL)
(**) Term: **15 Years**
(21) Appl. No.: **29/676,709**
(22) Filed: **Jan. 14, 2019**

Related U.S. Application Data

(62) Division of application No. 35/503,318, filed on Jan. 3, 2017 (U.S. filing date under 35 U.S.C. 384), and having an international filing date of Jan. 3, 2017, now Pat. No. Des. 838,424.

Foreign Application Priority Data

Jul. 20, 2016 (EM) 003312537
(51) **LOC (12) Cl.** **07-05**
(52) **U.S. Cl.**
USPC **D32/73**
(58) **Field of Classification Search**
USPC D32/17, 68, 70, 71, 73
CPC D06F 75/30; D06F 75/36; D06F 75/10;
D06F 87/00
See application file for complete search history.

(56) **References Cited**

U.S. PATENT DOCUMENTS

D439,023 S *	3/2001	Powell	D32/73
D463,641 S *	9/2002	Powell	D32/71
D564,166 S *	3/2008	Yang	D32/71
D660,538 S *	5/2012	Smith	D32/71
D667,600 S *	9/2012	Smith	D32/70
D739,629 S *	9/2015	Luang	D32/70
D759,330 S *	6/2016	Luang	D32/71
D798,008 S *	9/2017	Malatray	D32/17
D838,424 S *	1/2019	La Rovere	D32/68

* cited by examiner

Primary Examiner — Robert M. Spear

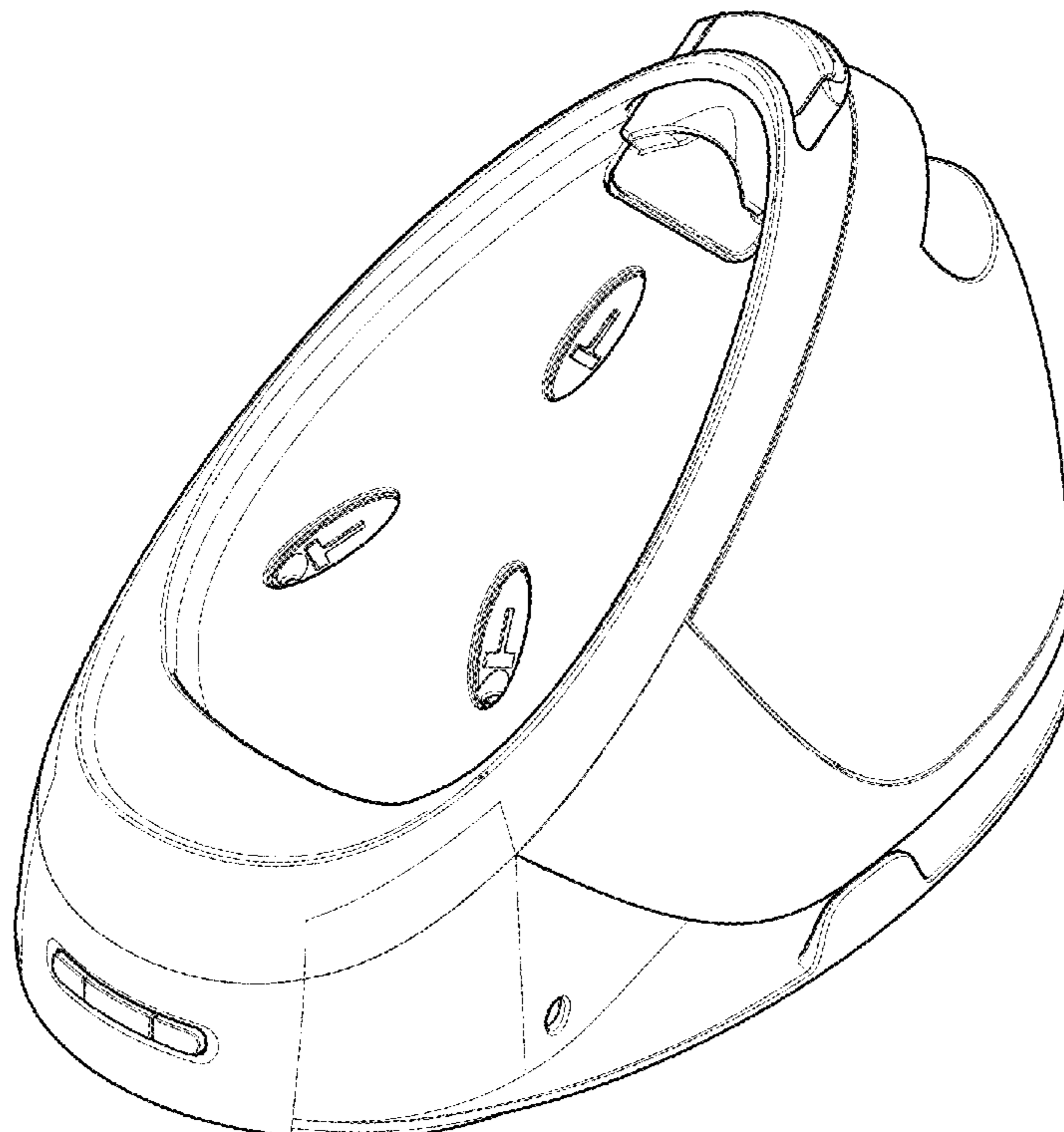
(57) **CLAIM**

The ornamental design for a steam generator for iron, as shown.

DESCRIPTION

FIG. 1 is a perspective view of a steam generator for iron showing our design;
FIG. 2 is a front elevational view thereof;
FIG. 3 is a rear elevational view thereof;
FIG. 4 is a left side elevational view thereof;
FIG. 5 is a right side elevational view thereof;
FIG. 6 is a top plan view thereof; and,
FIG. 7 is a bottom plan view thereof.

1 Claim, 5 Drawing Sheets



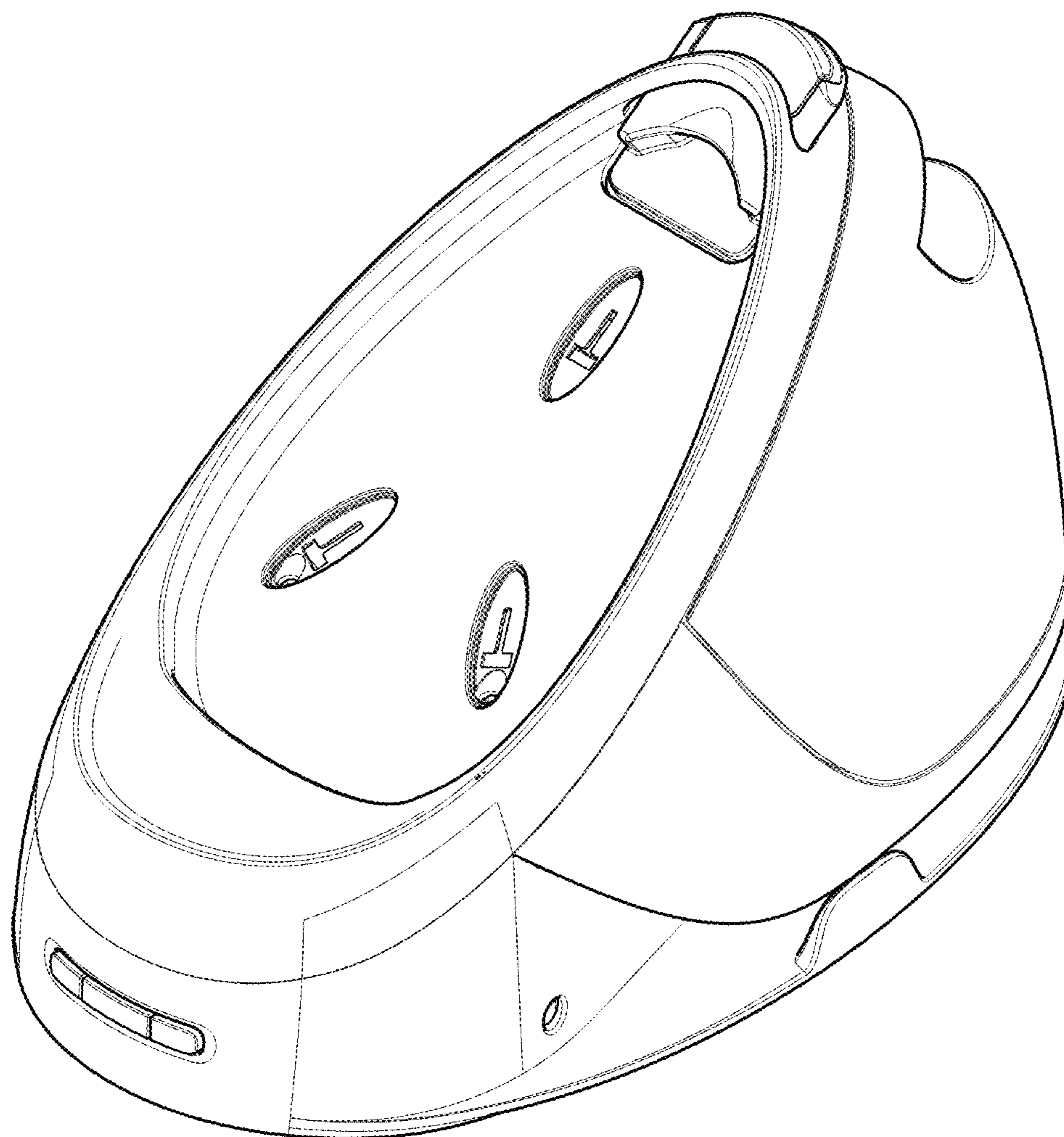


FIG. 1

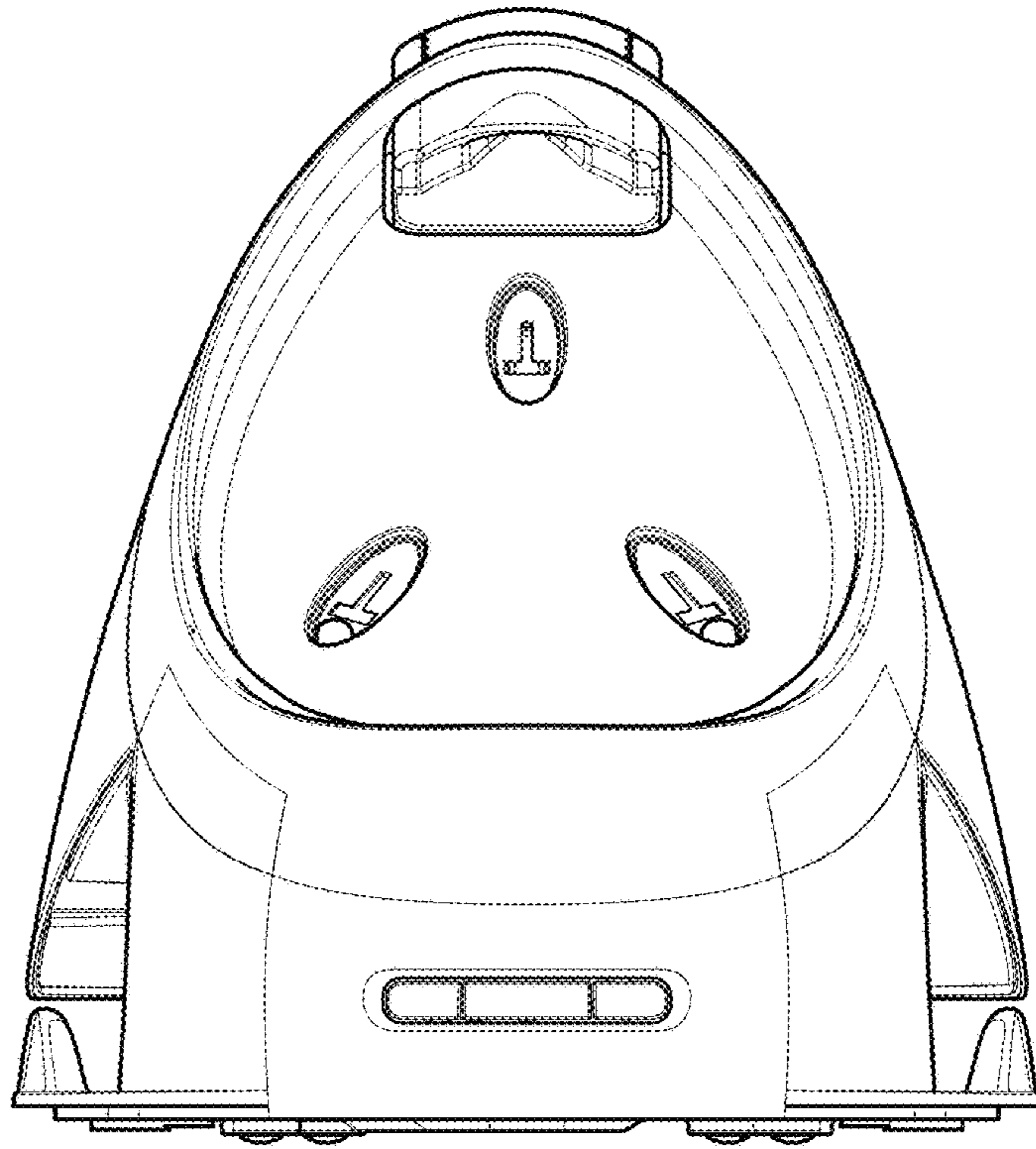


FIG. 2

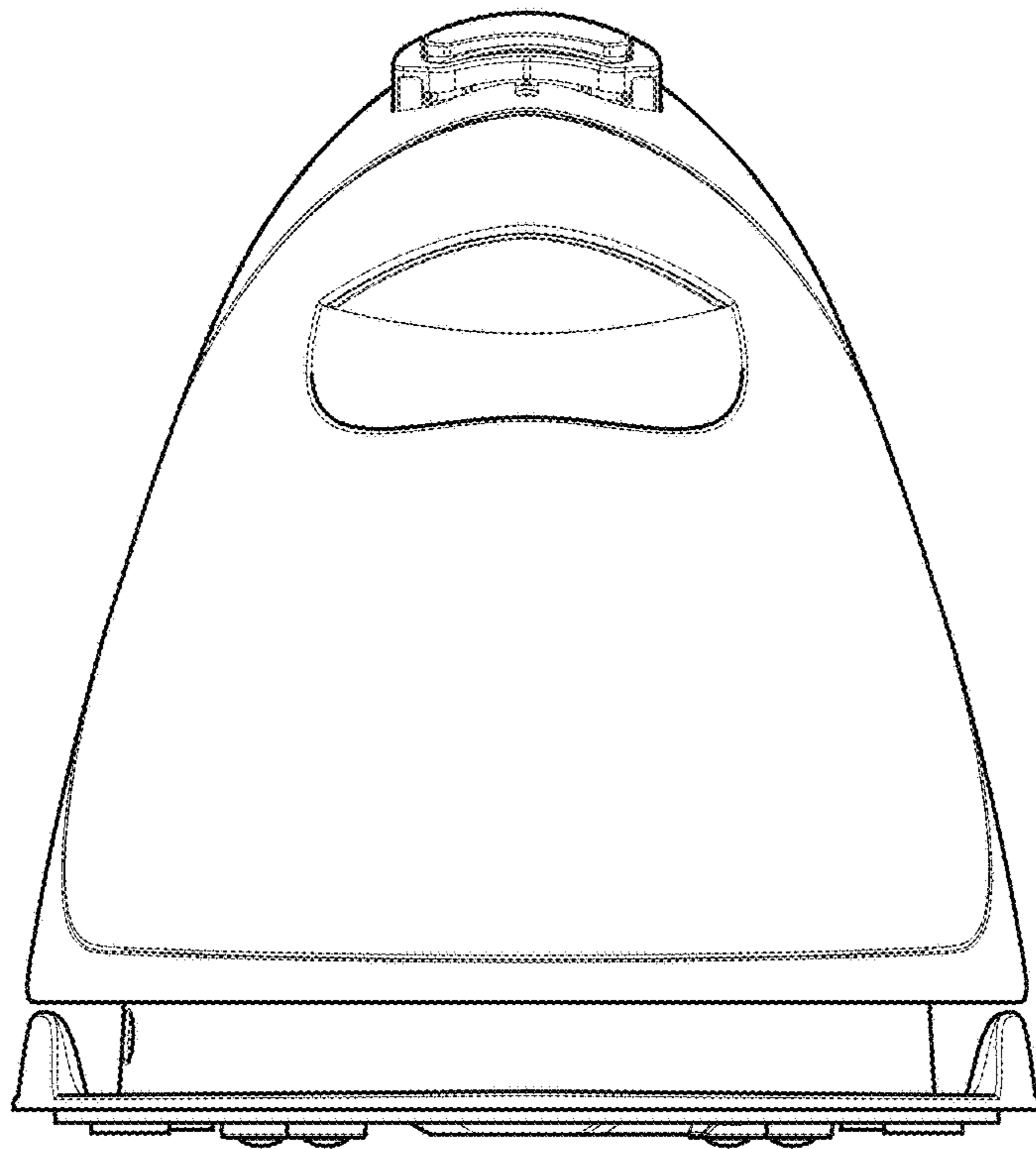


FIG. 3

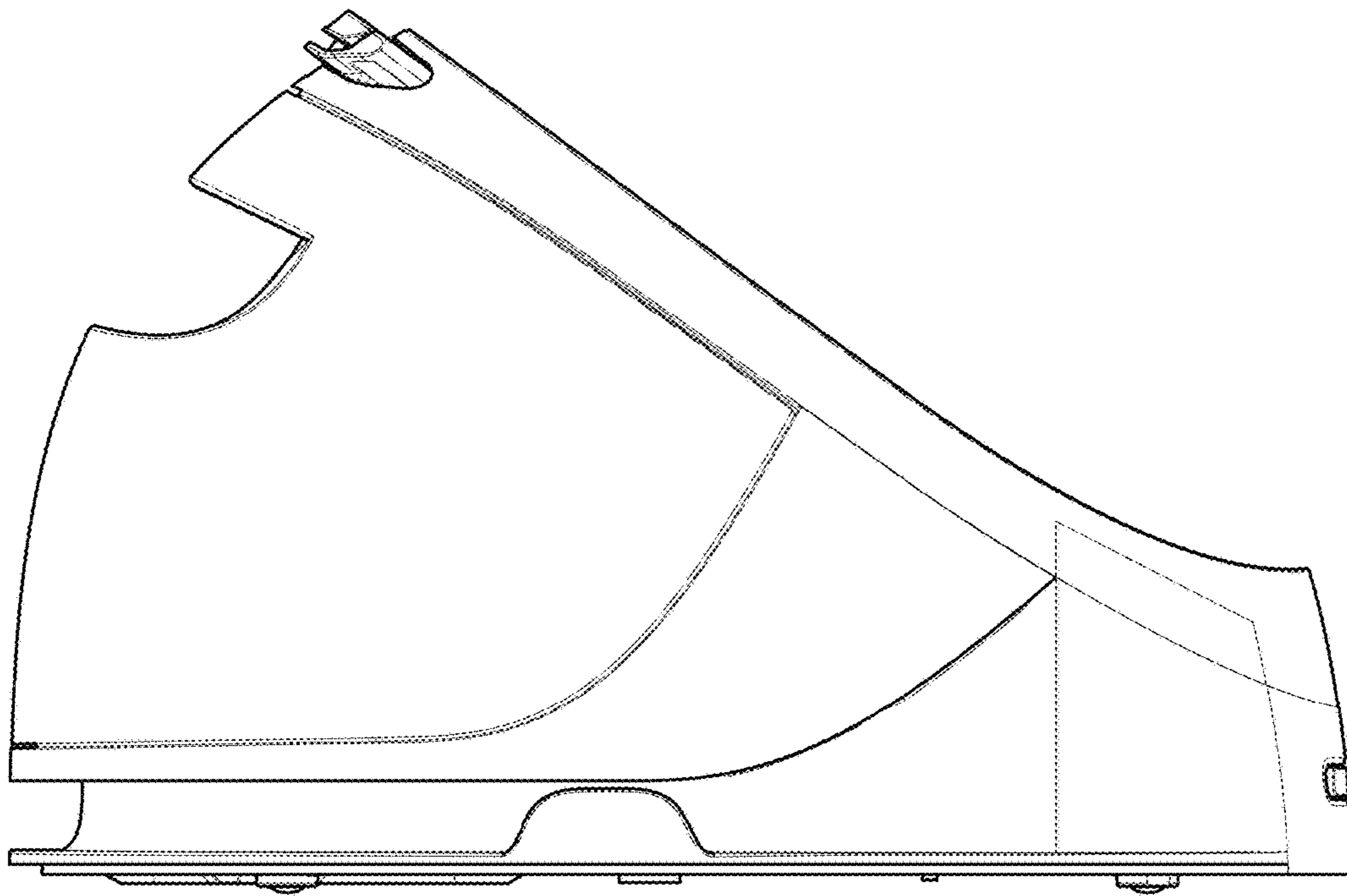


FIG. 4

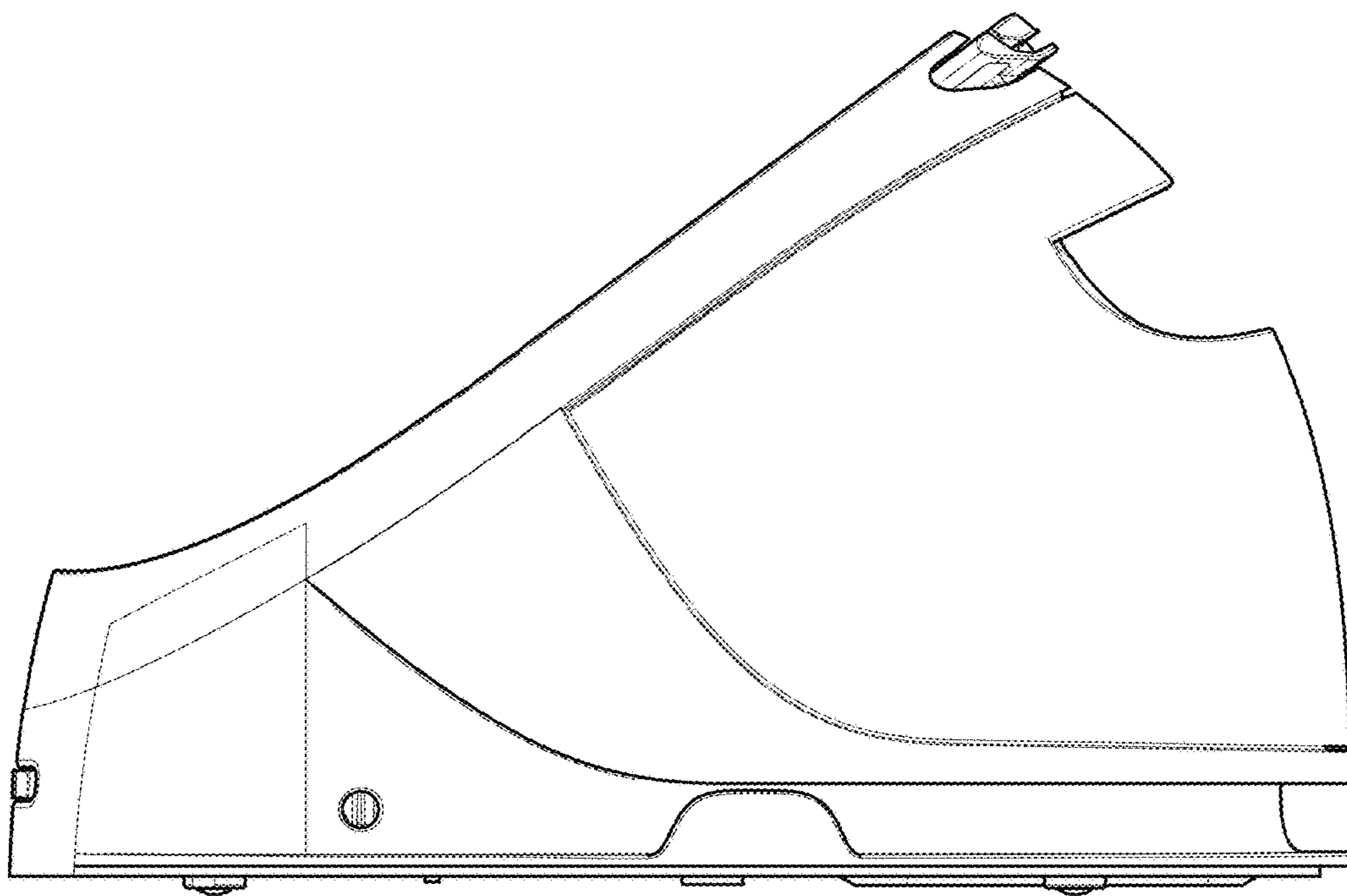


FIG. 5

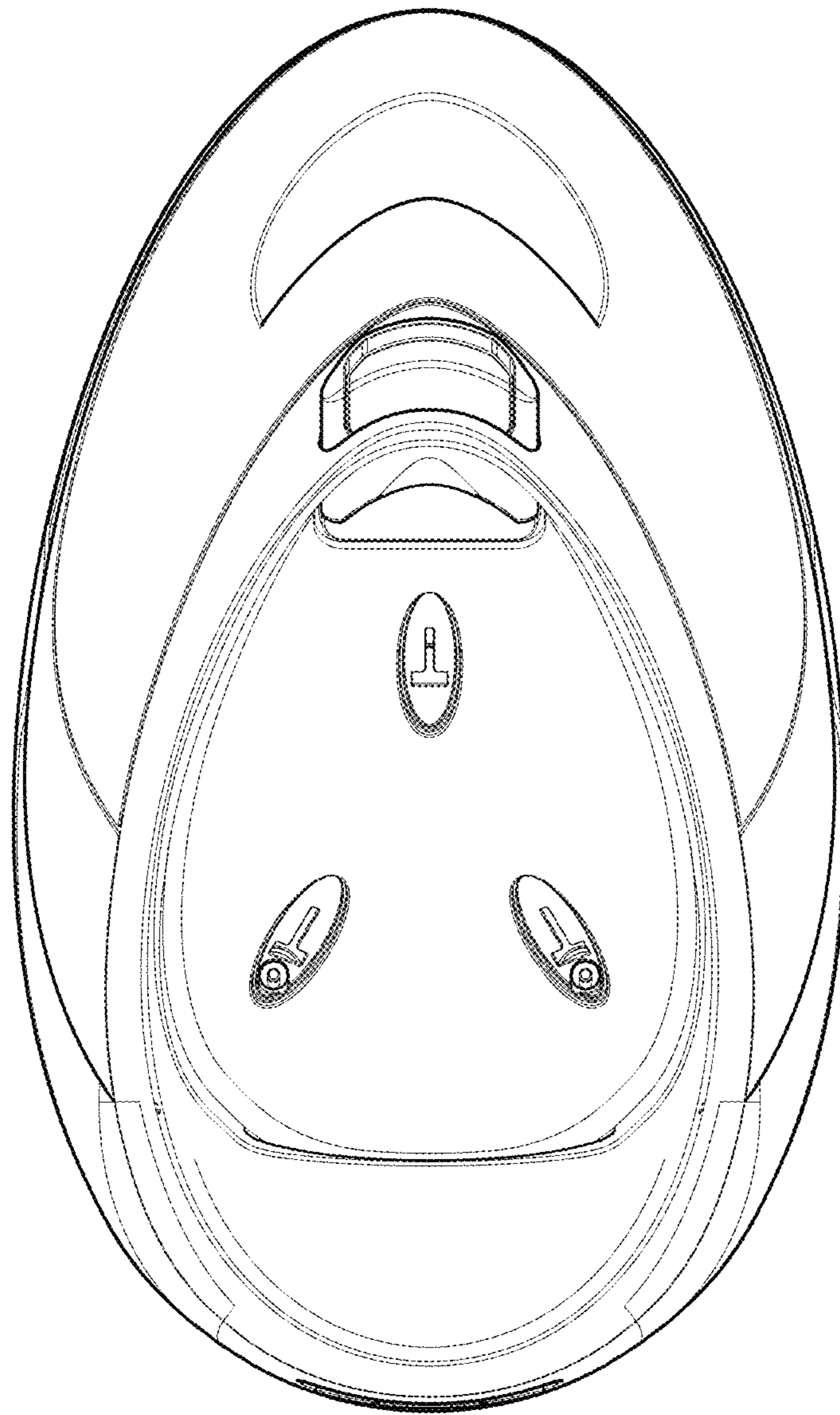


FIG. 6

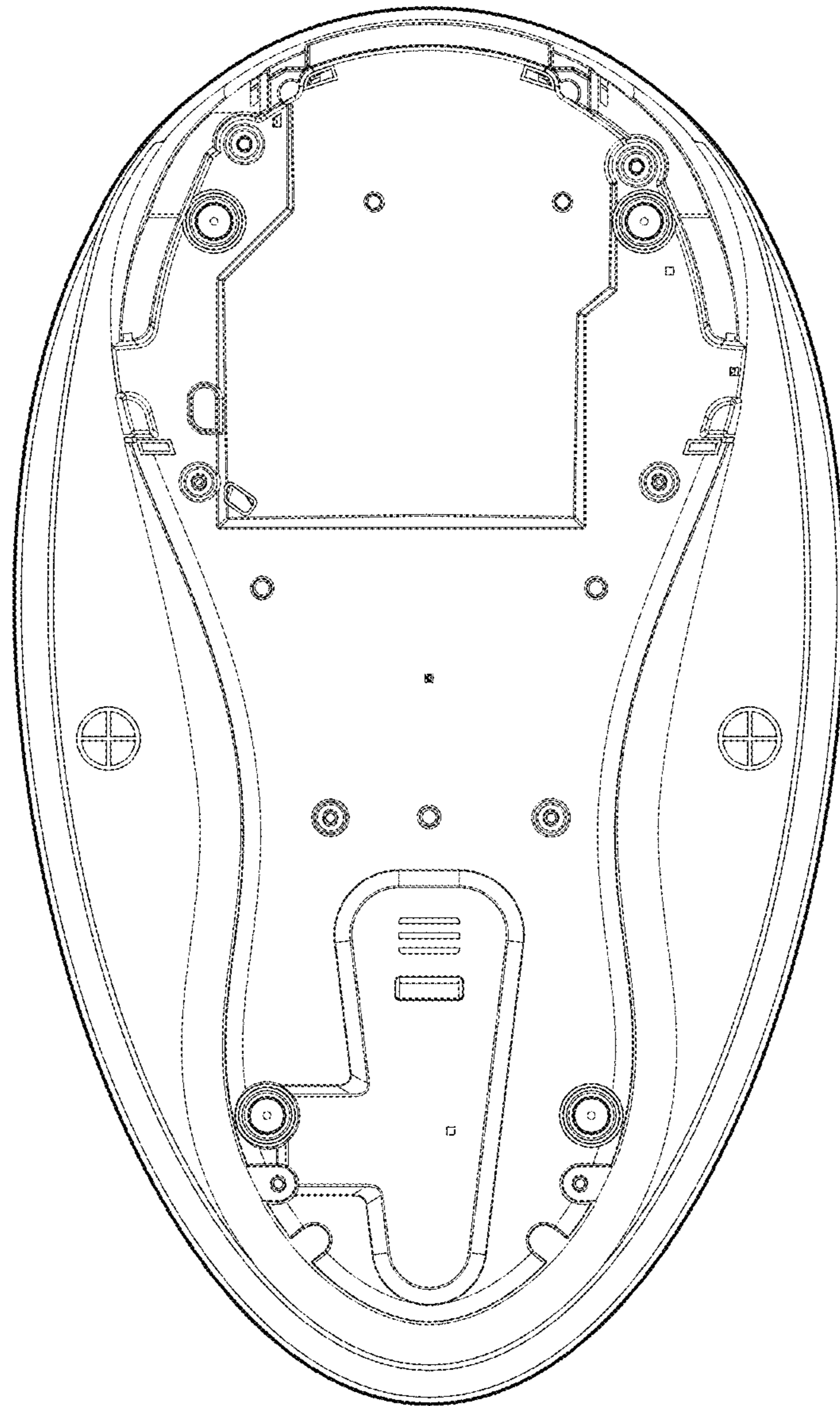


FIG. 7