



US00D862021S

(12) **United States Design Patent**
Hou

(10) **Patent No.:** **US D862,021 S**

(45) **Date of Patent:** **** Oct. 1, 2019**

(54) **IRON**

(71) Applicant: **Zhaoyong Hou**, Yueyang (CN)

(72) Inventor: **Zhaoyong Hou**, Yueyang (CN)

(**) Term: **15 Years**

(21) Appl. No.: **29/691,408**

(22) Filed: **May 16, 2019**

(51) **LOC (12) Cl.** **07-05**

(52) **U.S. Cl.**
USPC **D32/70**

(58) **Field of Classification Search**

USPC D32/70, 71, 73, 72, 69, 68, 35; D8/71,
D8/373, 349, 396, 30; D15/144, 144.2;
D28/73; 219/231, 242, 229; 165/80.1;
126/414

CPC D06F 75/34; D06F 75/08; D06F 75/38;
D06F 75/00; F22B 27/14; B08B 3/006

See application file for complete search history.

(56) **References Cited**

U.S. PATENT DOCUMENTS

D293,952 S * 1/1988 Hsu D32/69
D531,774 S * 11/2006 Grossi D32/70
D574,568 S * 8/2008 Lee D32/70
D594,617 S 6/2009 Yeung

D646,445 S 10/2011 Choi
D653,415 S * 1/2012 Zegdon D32/70
D711,028 S * 8/2014 Pritchett D26/37
D728,885 S * 5/2015 Dierker D32/70
D733,381 S * 6/2015 Shalvi D32/70
D734,582 S 7/2015 Umeda et al.
D762,036 S * 7/2016 Iwasaki D32/70
D786,521 S * 5/2017 Curien D32/70
D790,099 S * 6/2017 Pius D26/46
D825,803 S * 8/2018 Rosandick D26/44
D833,050 S * 11/2018 Prieto D26/49

* cited by examiner

Primary Examiner — Austin Murphy

(57) **CLAIM**

The ornamental design for an iron, as shown and described.

DESCRIPTION

FIG. 1 is a first perspective view of an iron showing my design;

FIG. 2 is a second perspective view thereof;

FIG. 3 is a front view thereof;

FIG. 4 is a back view thereof;

FIG. 5 is a left side view thereof;

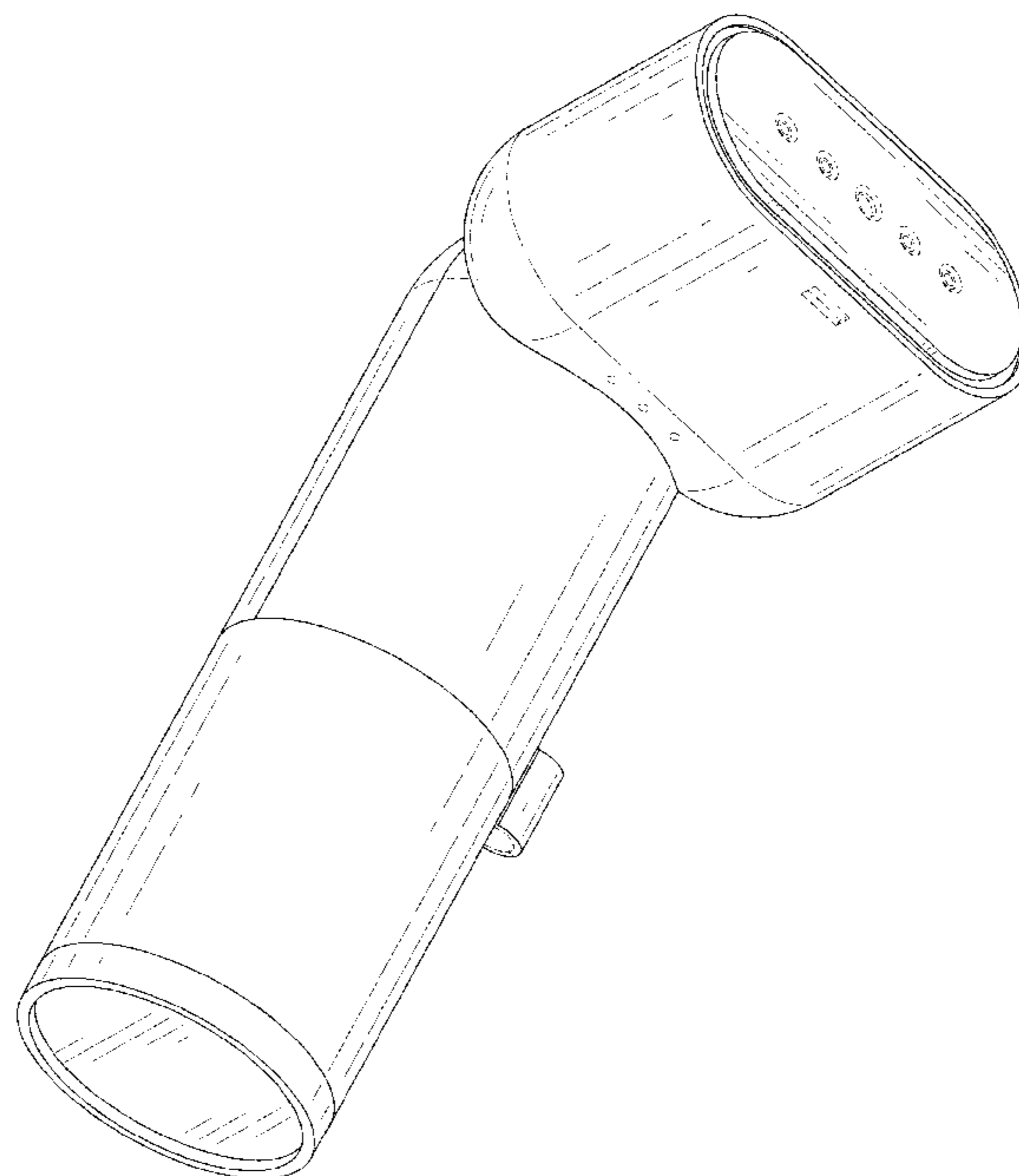
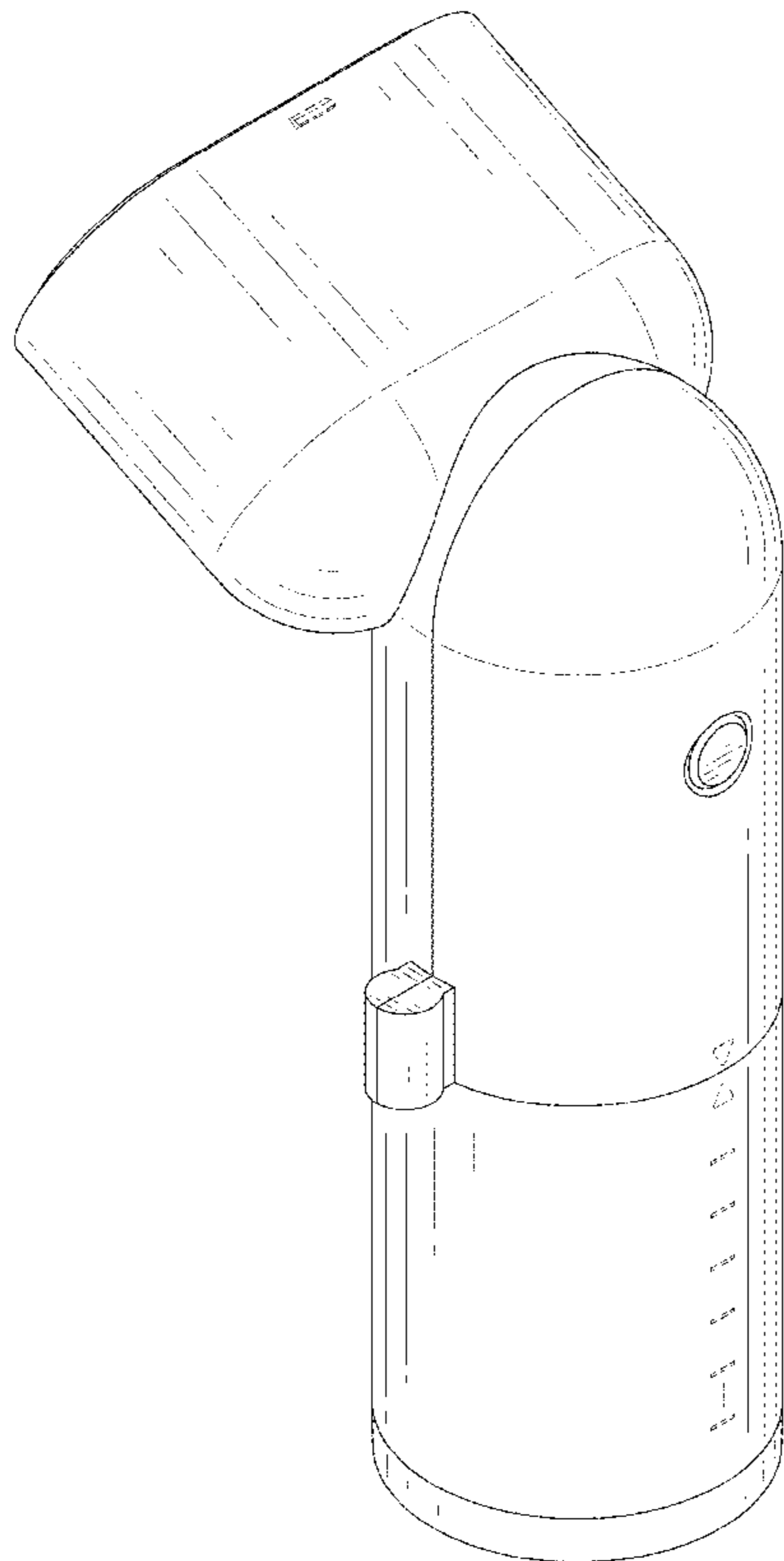
FIG. 6 is a right side view thereof;

FIG. 7 is a top view thereof; and,

FIG. 8 is a bottom view thereof.

The broken lines shown in the drawings depict portions of the iron in which the design is embodied that form no part of the claimed design.

1 Claim, 8 Drawing Sheets



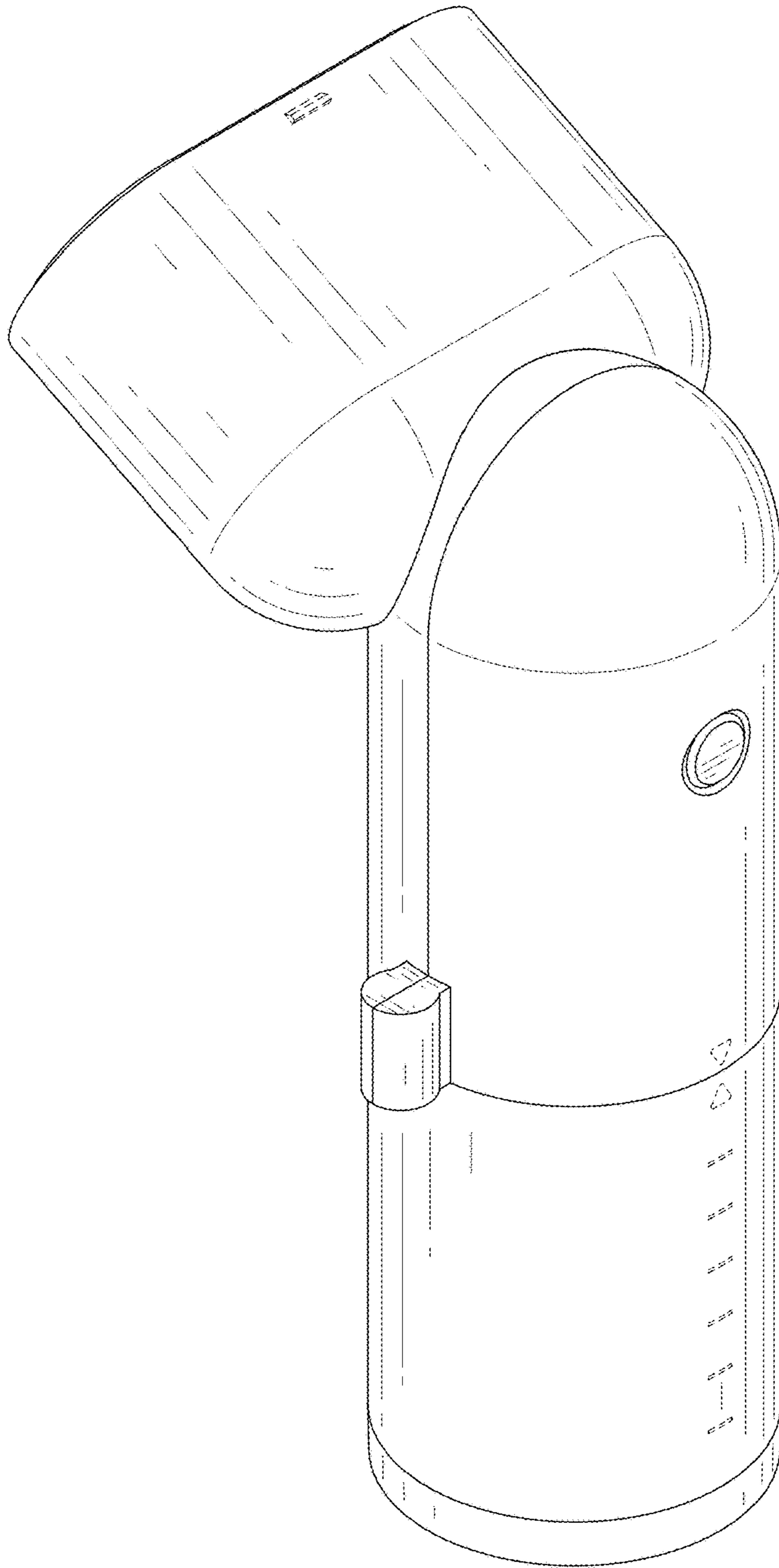


FIG. 1

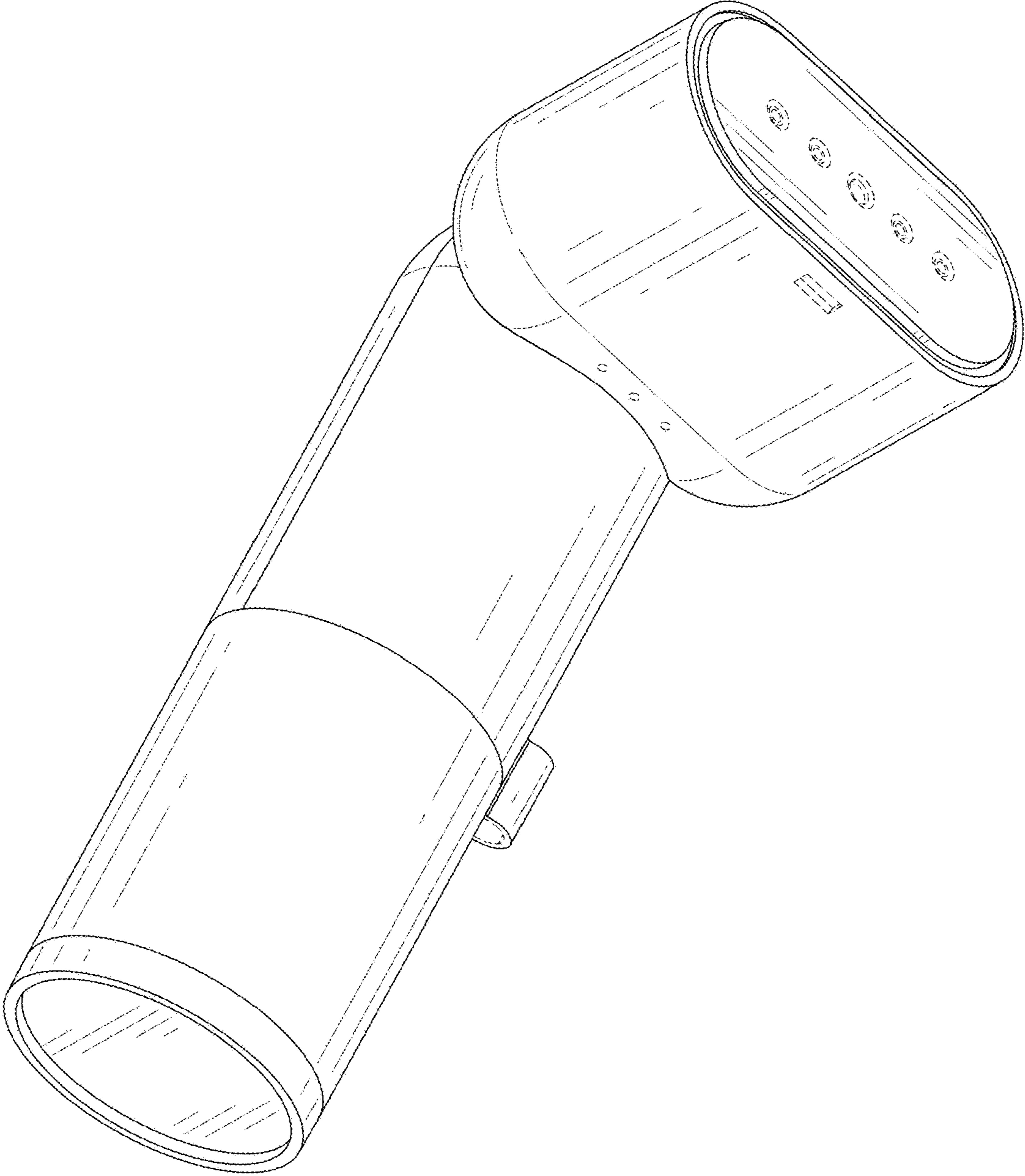


FIG. 2

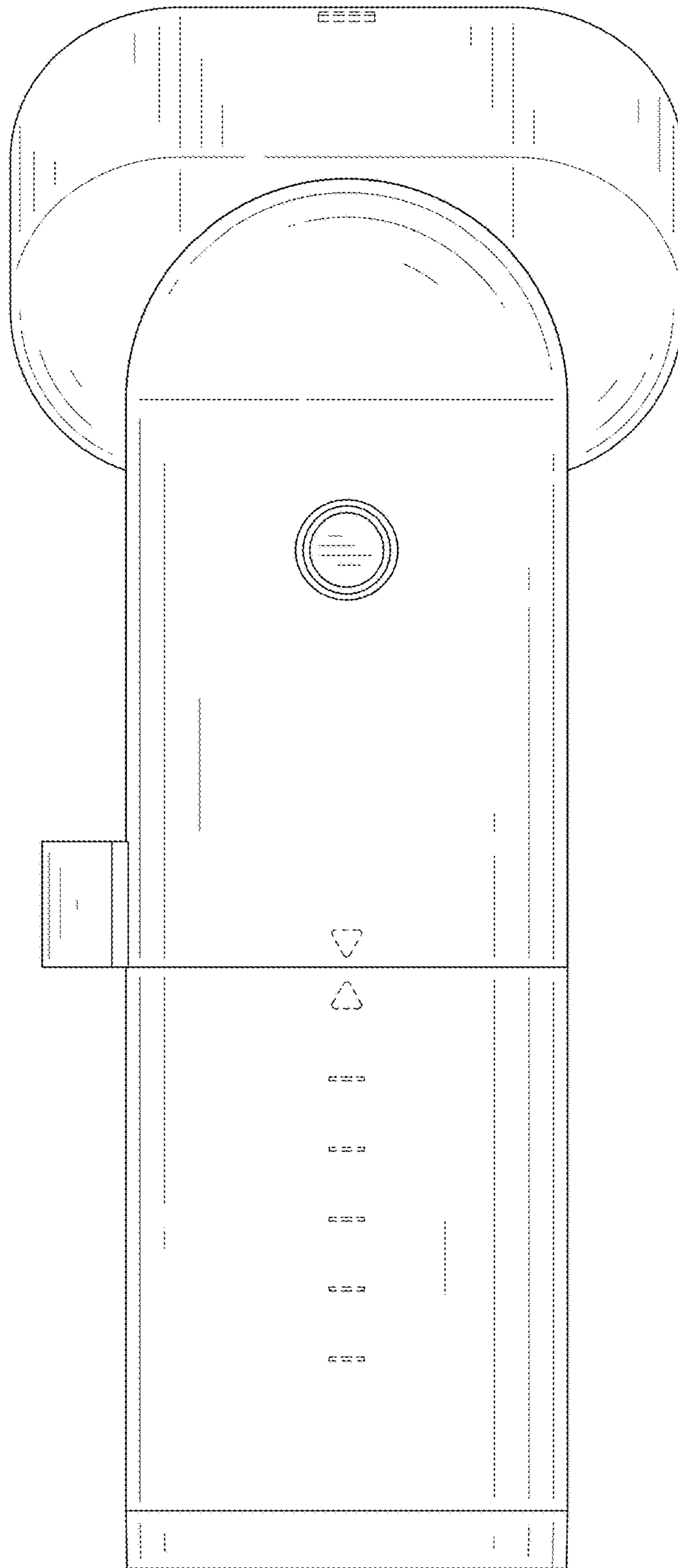


FIG. 3

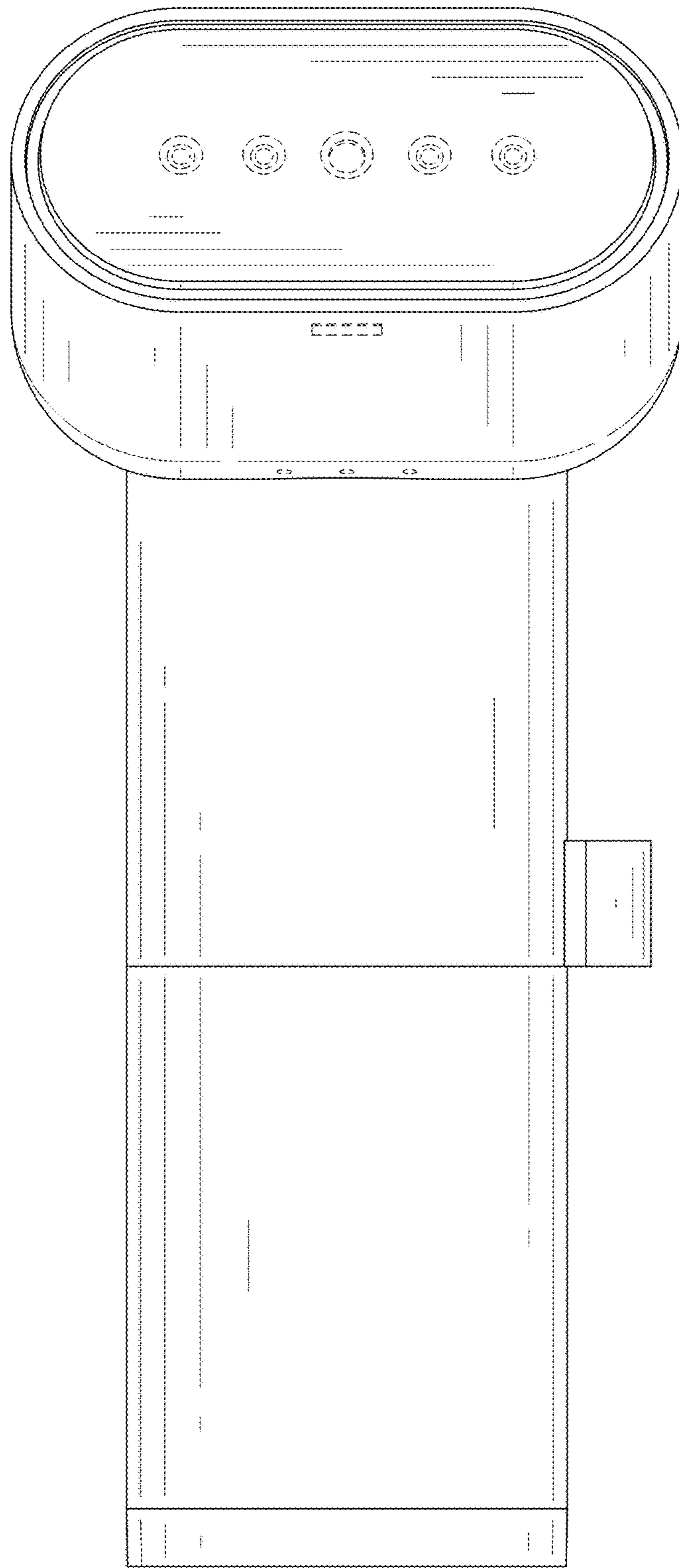


FIG. 4

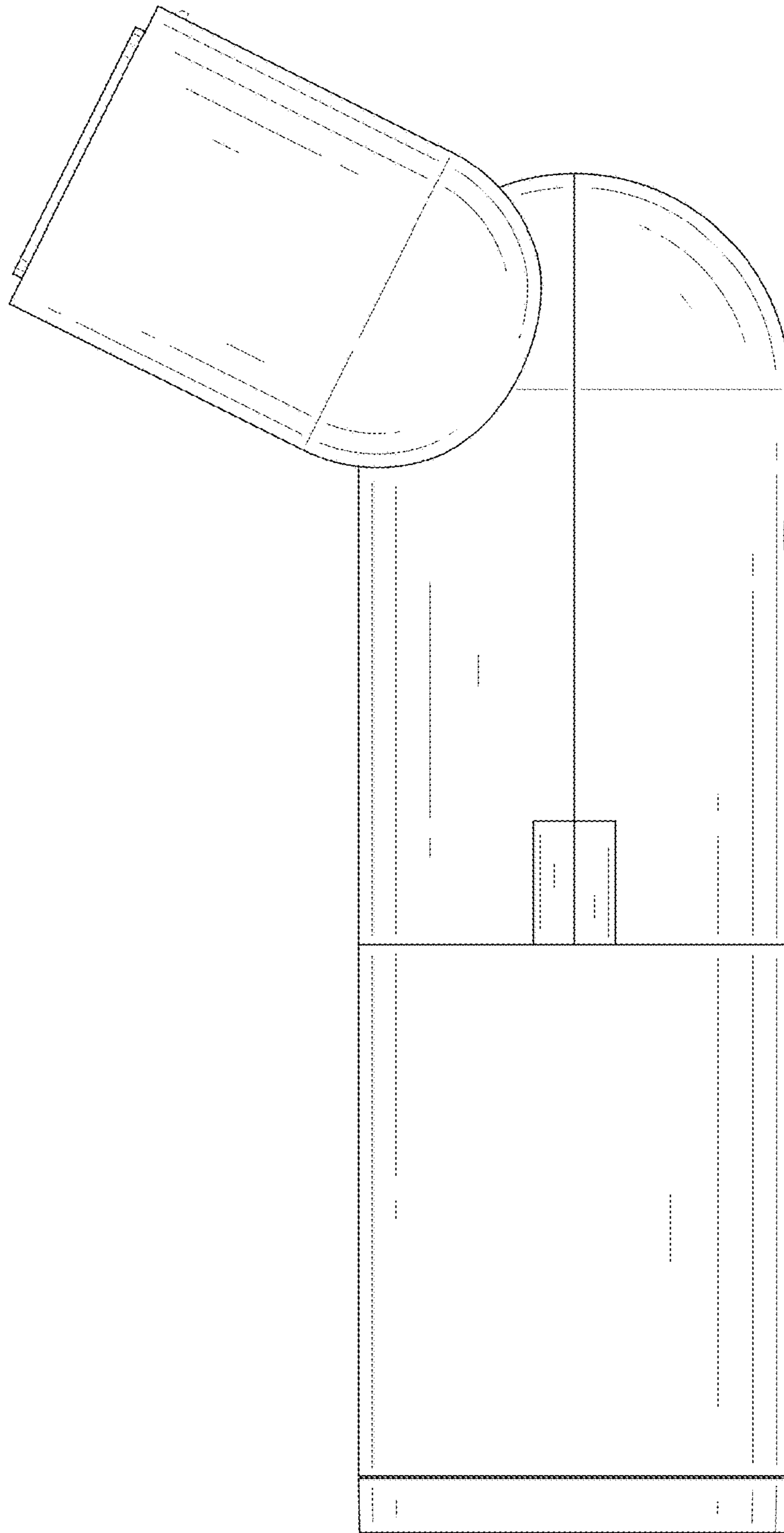


FIG. 5

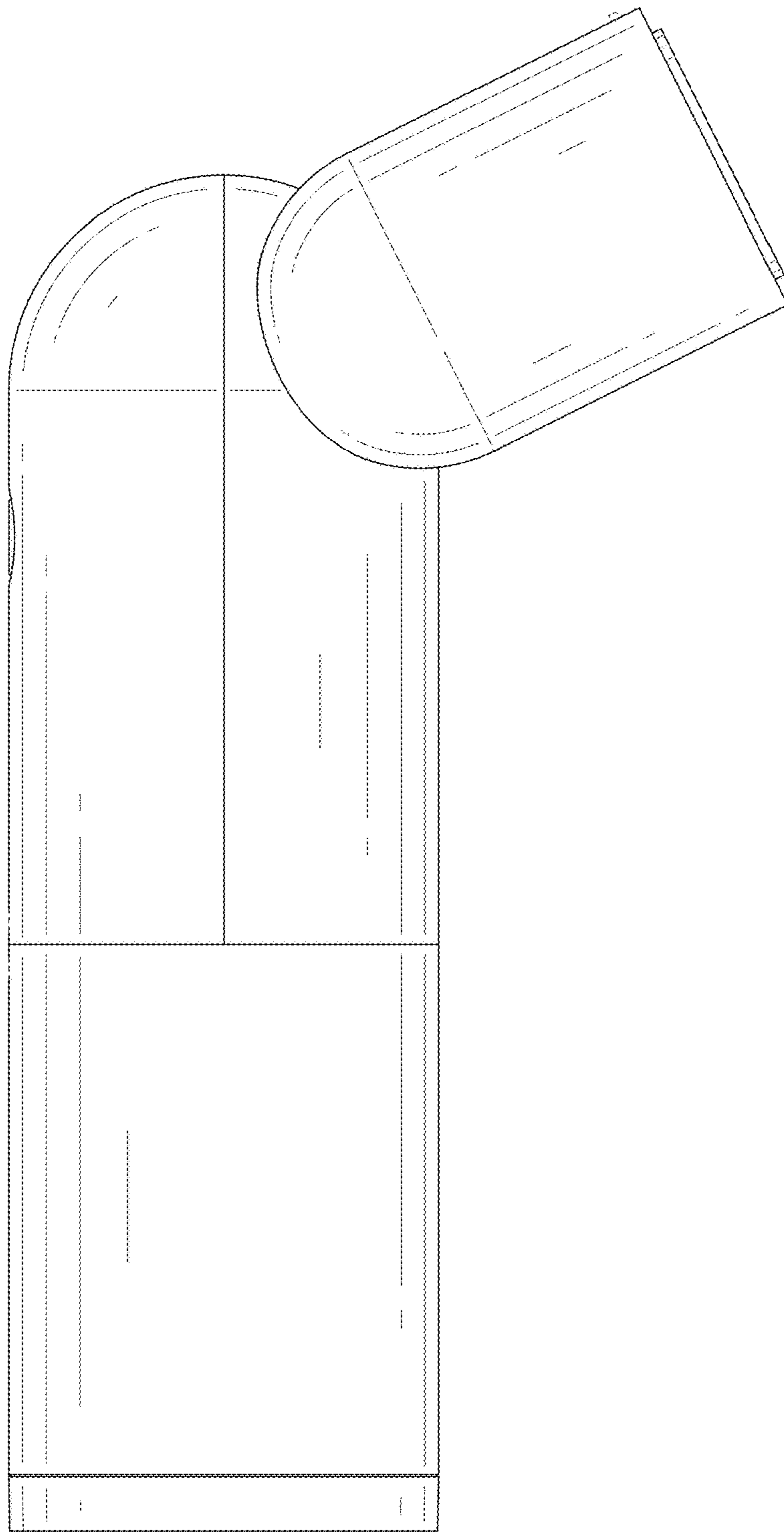


FIG. 6

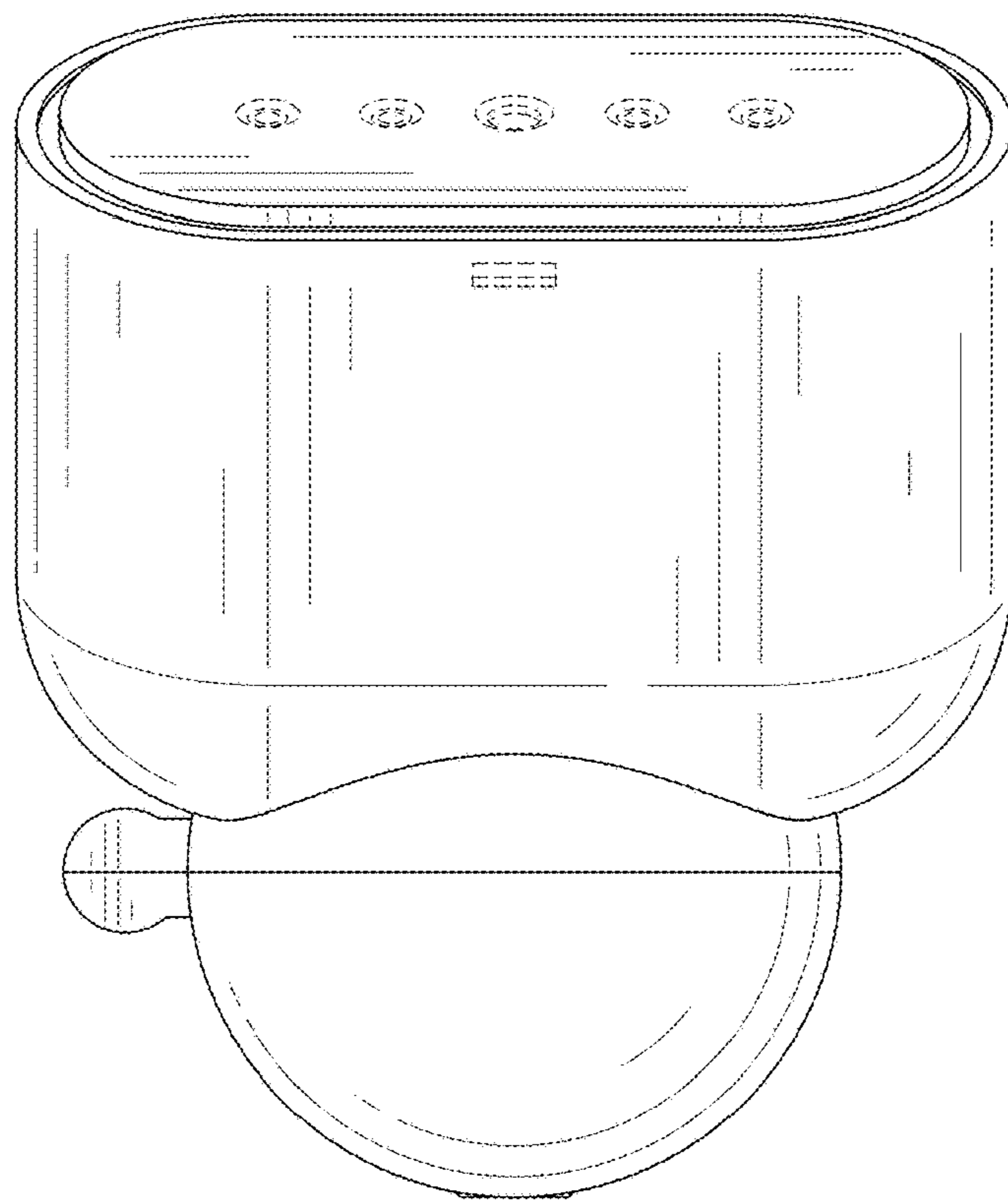


FIG. 7

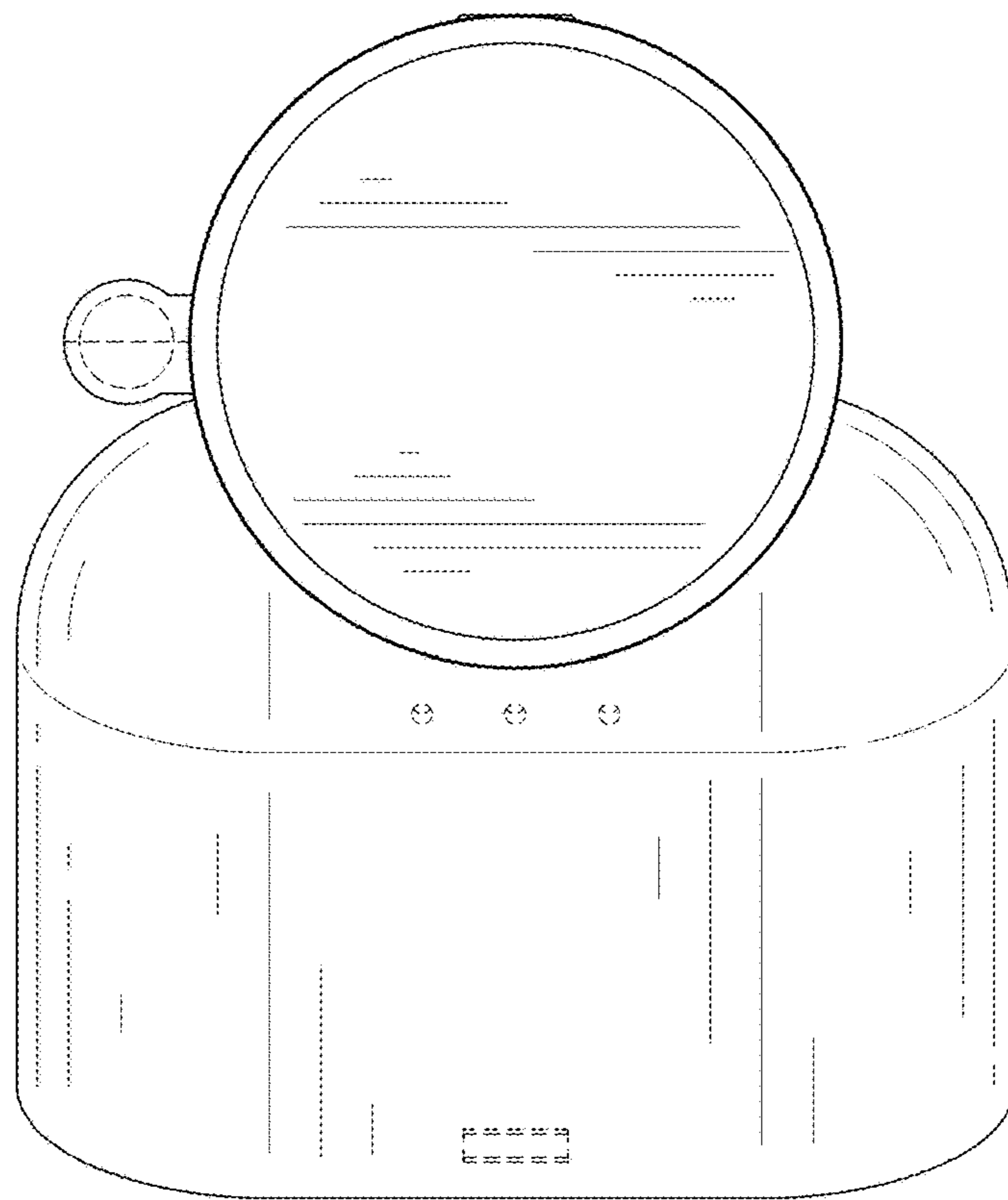


FIG. 8