

US00D862017S

(12) **United States Design Patent**  
**Dou et al.**

(10) **Patent No.:** **US D862,017 S**  
(45) **Date of Patent:** **\*\* Oct. 1, 2019**

(54) **FILTER FOR A ROBOTIC VACUUM**

(71) Applicant: **BEIJING XIAOMI MOBILE SOFTWARE CO., LTD.**, Haidian District, Beijing (CN)

(72) Inventors: **Wenbo Dou**, Beijing (CN); **Ningning Li**, Beijing (CN)

(73) Assignee: **Beijing Xiaomi Mobile Software Co., Ltd.**, Beijing (CN)

(\*\*) Term: **15 Years**

(21) Appl. No.: **29/615,911**

(22) Filed: **Aug. 31, 2017**

(51) **LOC (12) Cl.** ..... **15-05**

(52) **U.S. Cl.**  
USPC ..... **D32/30**

(58) **Field of Classification Search**  
USPC ..... D32/1, 5, 6, 8, 10, 25, 28, 29, 29.1, 21, D32/30, 31; D6/663, 705; 68/3 R, 19.1, 68/20, 139; D7/348–349; D23/365; D15/5  
CPC .... B60L 15/2009; D06F 39/045; D06F 29/00; D06F 39/022; D06F 33/02; D06F 35/006; D06F 25/00; D06F 39/12; D06F 39/14; D06F 29/005; D06F 2204/065; A47L 15/4418; F02M 35/04; F02M 35/10; F02M 35/024; B01D 46/0002; B01D 46/10  
See application file for complete search history.

(56) **References Cited**

**U.S. PATENT DOCUMENTS**

3,246,457 A \* 4/1966 De Baun ..... B01D 46/0001 210/485  
5,509,950 A \* 4/1996 van de Graaf ..... B01D 46/0005 55/486  
D383,881 S \* 9/1997 Gudmundsson ..... D32/30  
D406,421 S \* 3/1999 Bobrosky ..... D32/31

D522,194 S \* 5/2006 Mason ..... D32/30  
D565,818 S \* 4/2008 Fester ..... D32/31  
D672,928 S \* 12/2012 Swett ..... D32/30  
D810,908 S \* 2/2018 Mork ..... D23/365  
D824,505 S \* 7/2018 Mork ..... D23/365

(Continued)

**FOREIGN PATENT DOCUMENTS**

CN 303739530 \* 7/2016  
EM 004174639-0001 \* 9/2017

**OTHER PUBLICATIONS**

Xiaomi Robot Vacuum posted by Cordless Vacuum Guide posted date Sep. 28, 2016, © YouTube, [online], [site visited Feb. 27, 2019]. Available from Internet, <https://www.youtube.com/watch?v=vzfVOzZz1a0> (Year: 2016).\*

(Continued)

*Primary Examiner* — Garth Rademaker

*Assistant Examiner* — Laura H Yu

(74) *Attorney, Agent, or Firm* — Dickinson Wright PLLC

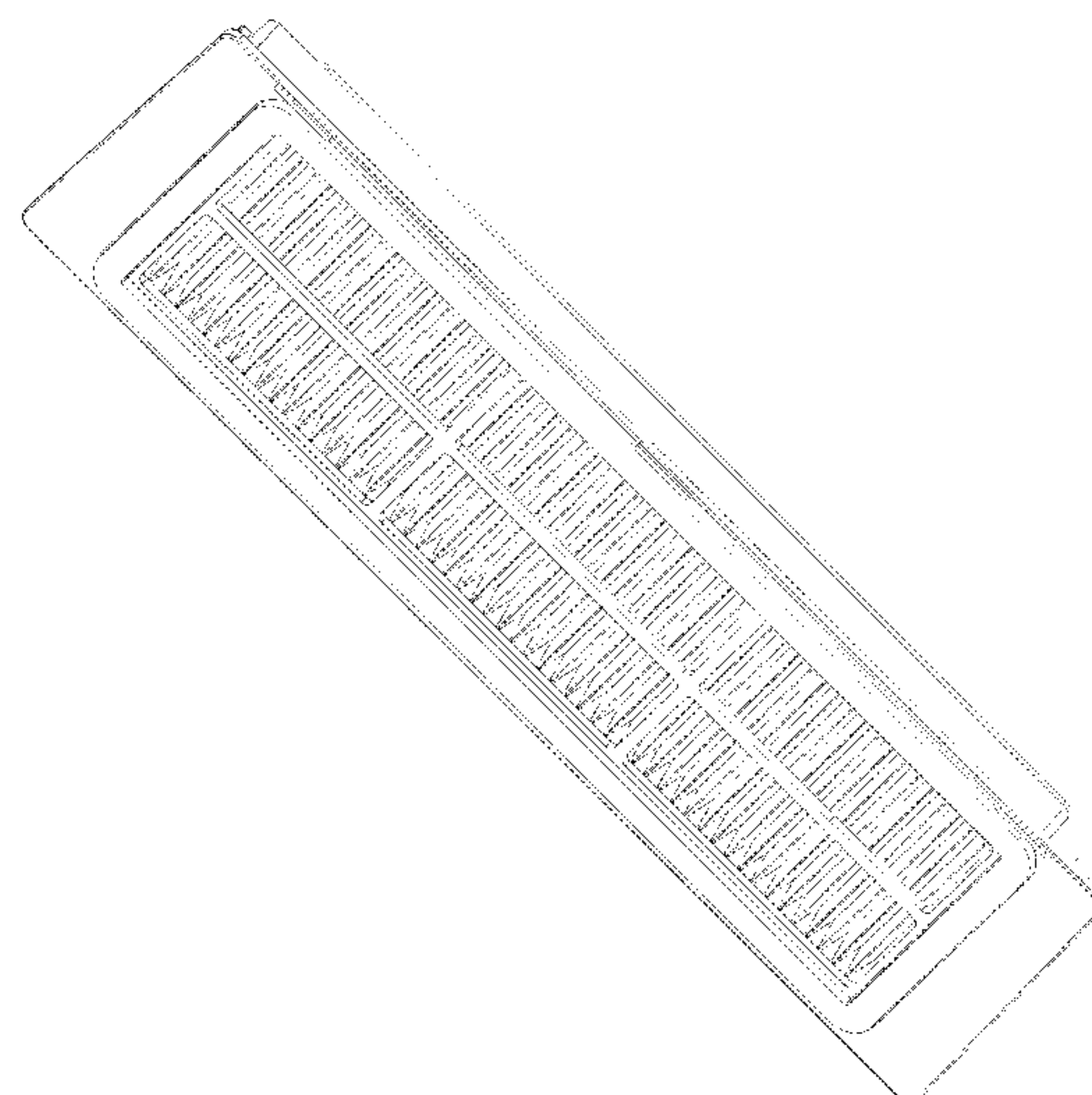
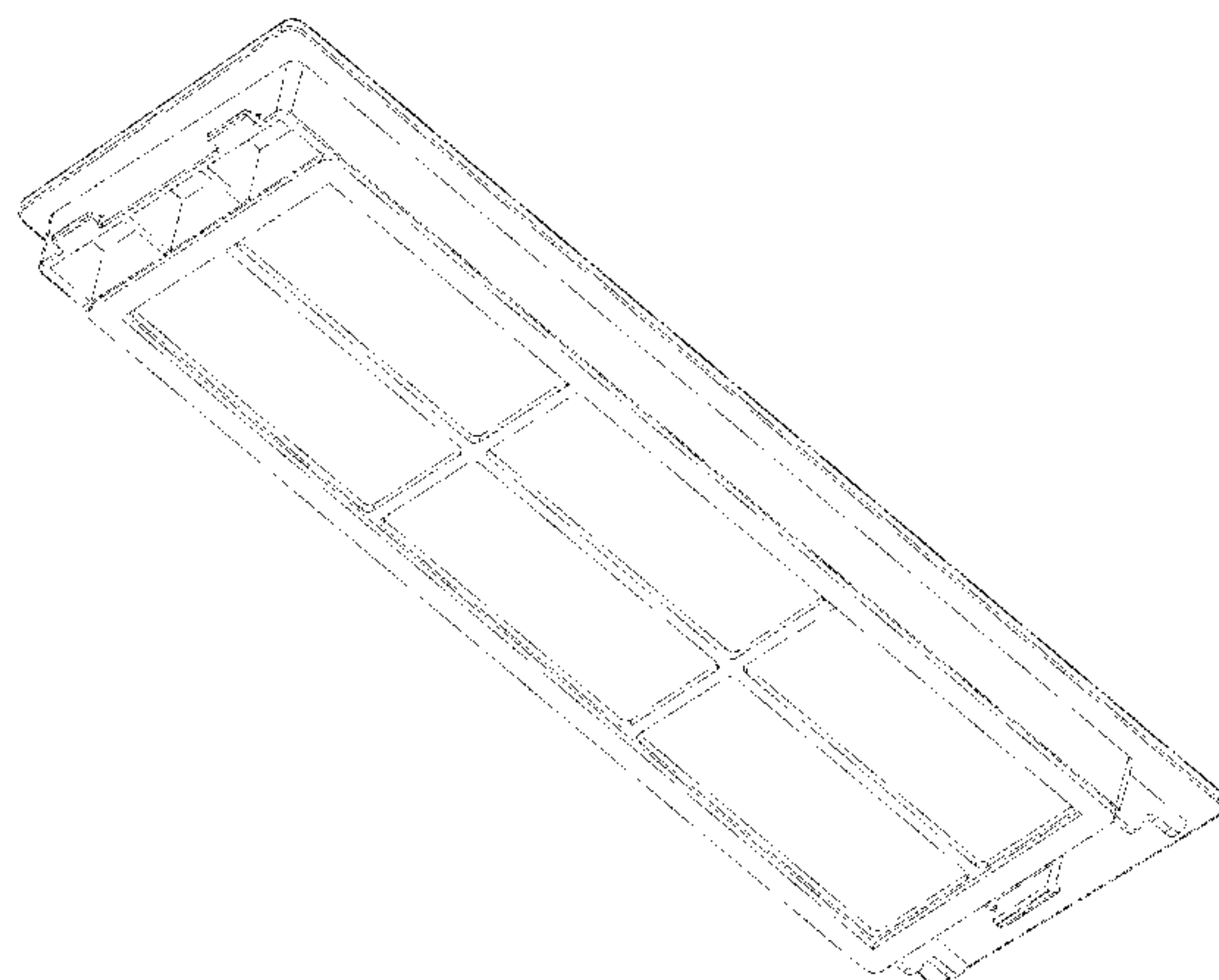
(57) **CLAIM**

The ornamental design for a filter for a robotic vacuum, as shown and described.

**DESCRIPTION**

FIG. 1 is a front view of a filter for a robotic vacuum of the new design;  
FIG. 2 is a back view of the filter for a robotic vacuum;  
FIG. 3 is a left view of the filter for a robotic vacuum;  
FIG. 4 is a right view of the filter for a robotic vacuum;  
FIG. 5 is a top view of the filter for a robotic vacuum;  
FIG. 6 is a bottom view of the filter for a robotic vacuum;  
FIG. 7 is a perspective view of the filter for a robotic vacuum; and,  
FIG. 8 is another perspective view of the filter for a robotic vacuum.

**1 Claim, 8 Drawing Sheets**



(56)

**References Cited**

U.S. PATENT DOCUMENTS

D840,617 S \* 2/2019 Dou ..... D32/21

OTHER PUBLICATIONS

XiaoMi Vacuum posted by Xiaomi posted date Jul. 25, 2017, © Amazon, [online], [site visited Feb. 27, 2019]. Available from Internet, <https://www.amazon.co.uk/Original-XIAOMI-accessories-Cleaning-Cleaner> (Year: 2017).\*

Review 1 posted by Rova Holic posted date Sep. 27, 2016, © YouTube, [online], [site visited Feb. 27, 2019]. Available from Internet, <https://www.youtube.com/watch?v=BWFxlzb0iZs> (Year: 2016).\*

\* cited by examiner

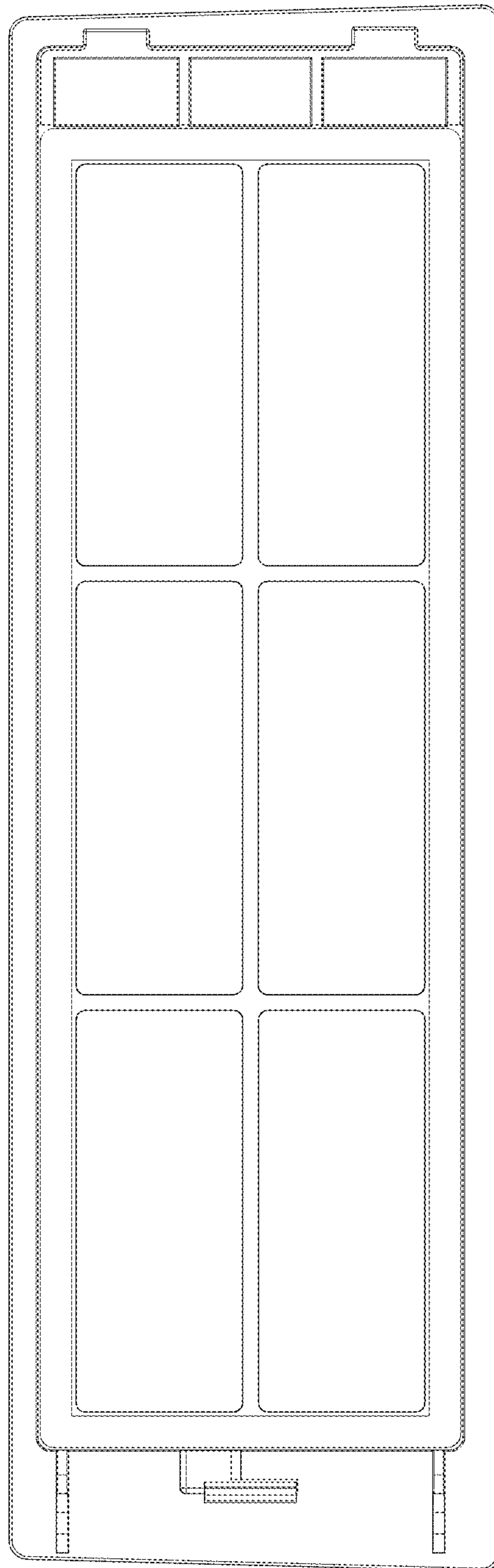


Fig. 1

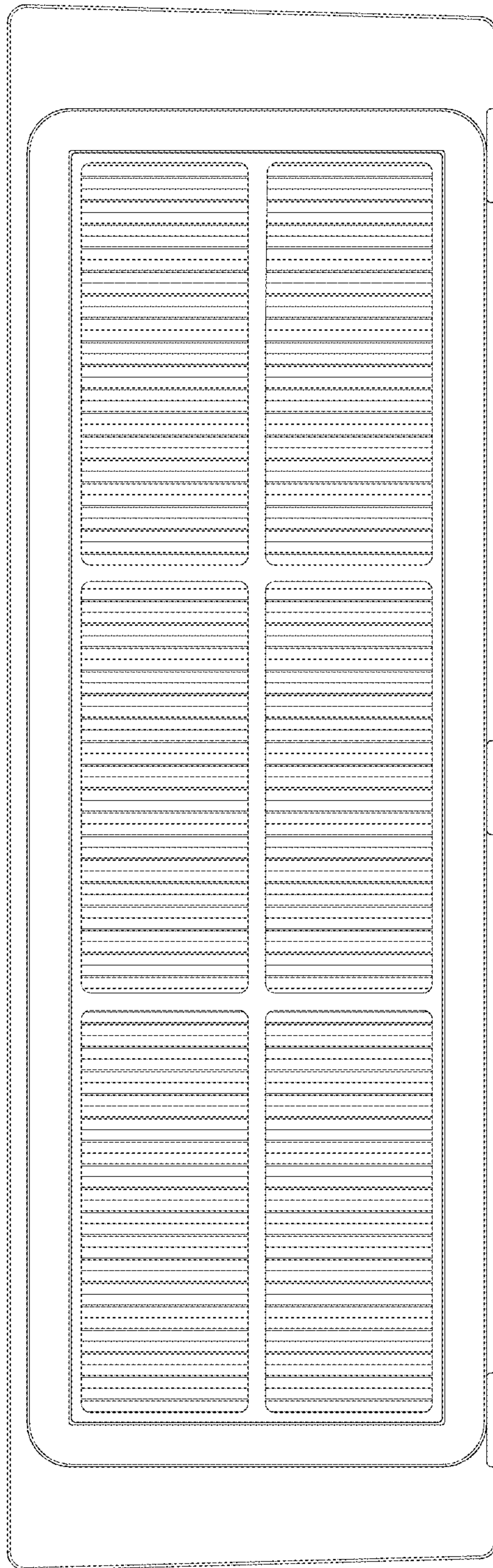


Fig.2

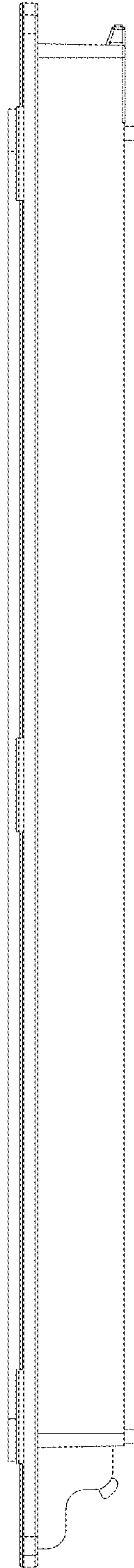


Fig.3



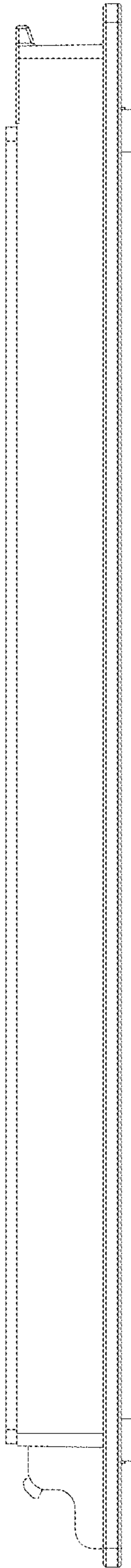


Fig.4

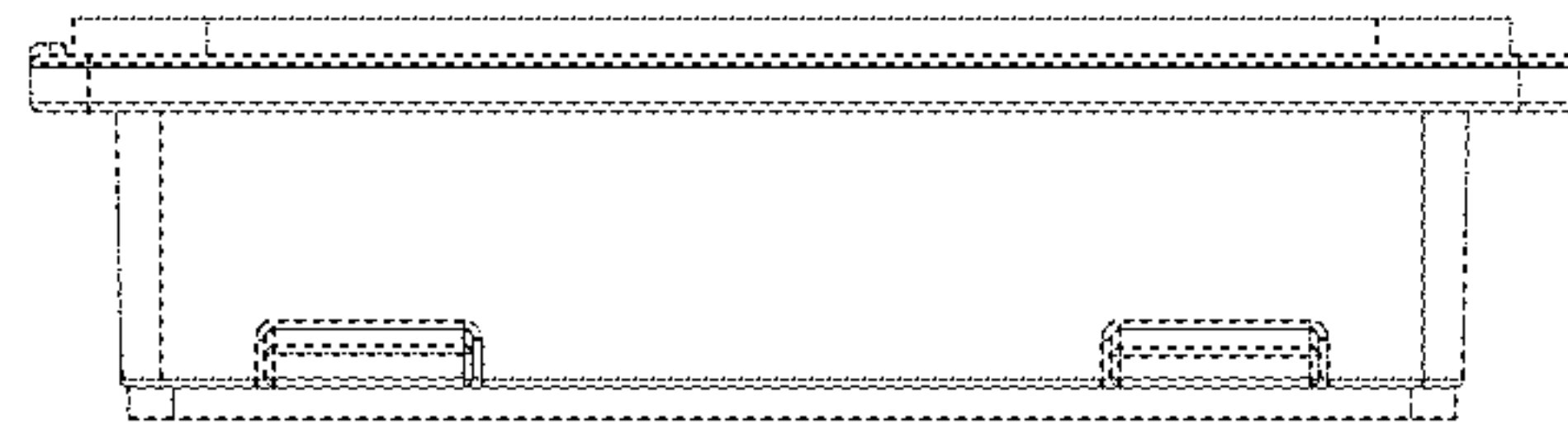


Fig.5

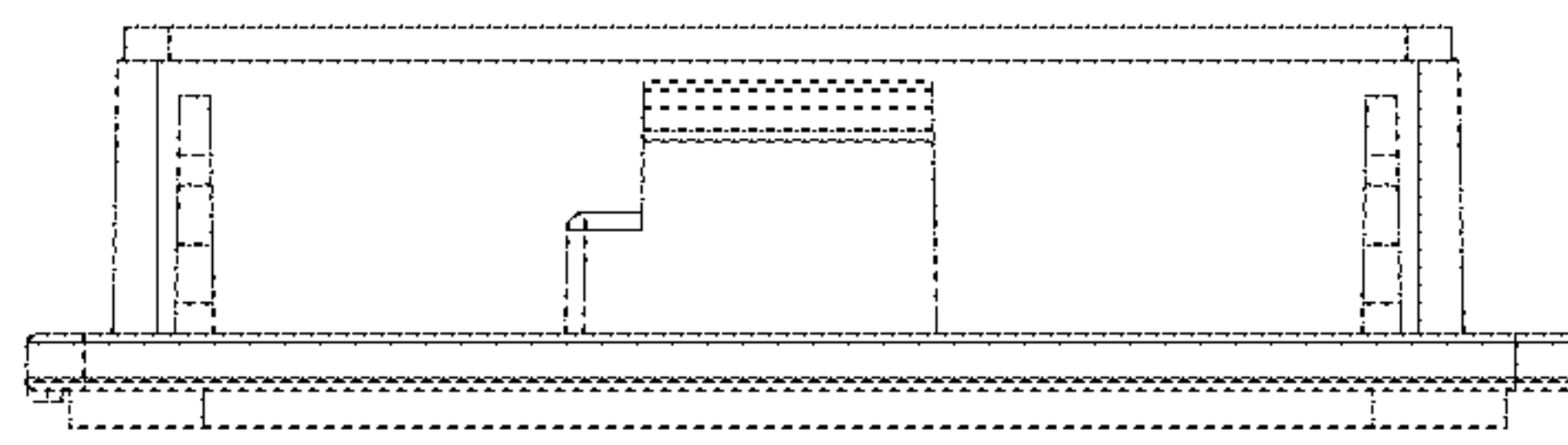


Fig.6



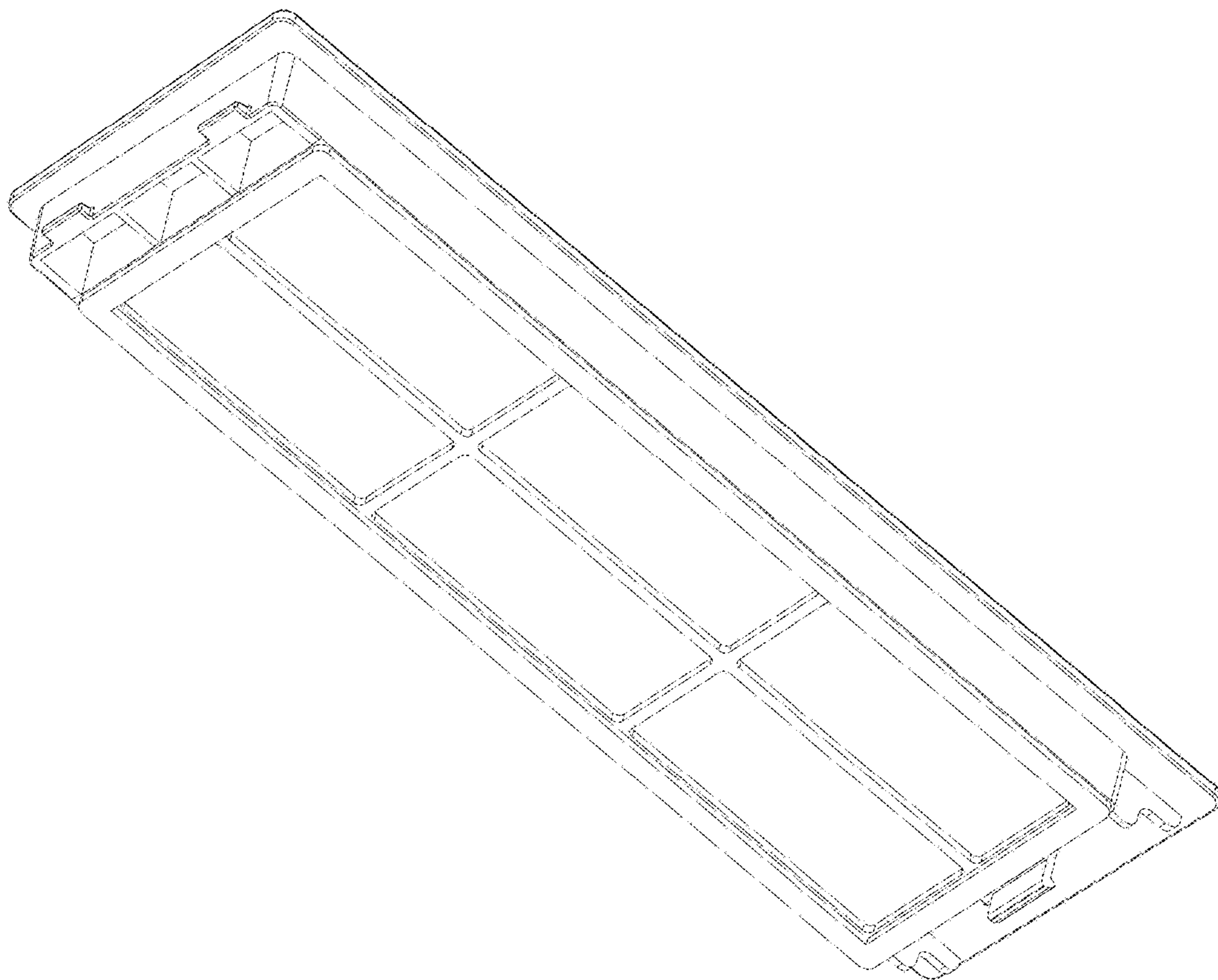


Fig.7

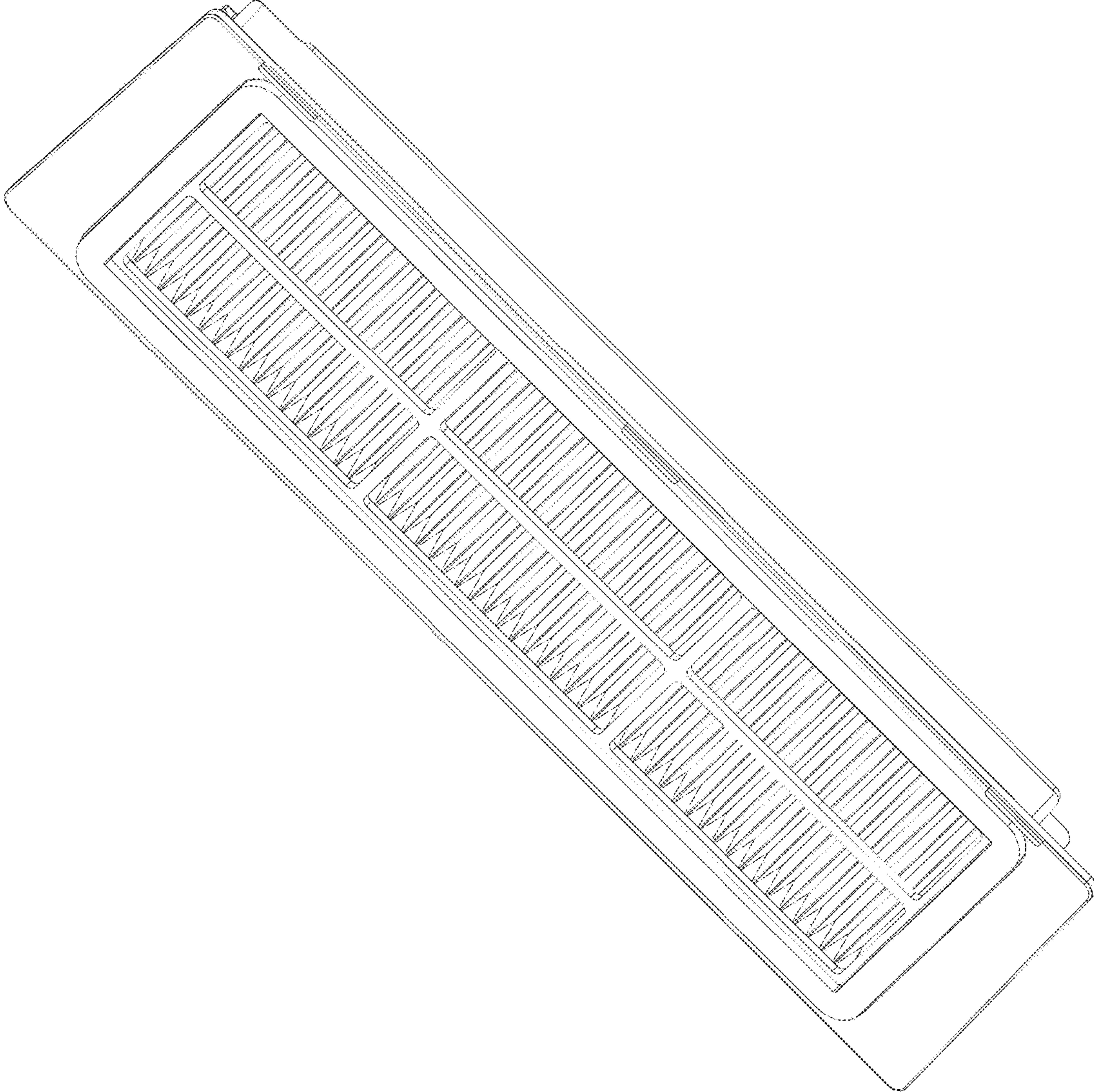


Fig.8