



US00D862014S

(12) **United States Design Patent** (10) **Patent No.:** **US D862,014 S**  
**Kim et al.** (45) **Date of Patent:** **\*\* Oct. 1, 2019**

(54) **DRAWER-TYPE WASHING MACHINE**

(71) Applicant: **LG ELECTRONICS INC.**, Seoul (KR)

(72) Inventors: **Byeongkook Kim**, Seoul (KR); **Myungshik Kim**, Seoul (KR); **Nerry Son**, Seoul (KR); **Yeji Um**, Seoul (KR)

(73) Assignee: **LG ELECTRONICS INC.**, Seoul (KR)

(\*\*) Term: **15 Years**

(21) Appl. No.: **35/504,627**

(22) Filed: **Sep. 20, 2017**

(80) **Hague Agreement Data**

Int. Filing Date: **Sep. 20, 2017**  
Int. Reg. No.: **DM/098515**  
Int. Reg. Date: **Sep. 20, 2017**  
Int. Reg. Pub. Date: **Mar. 23, 2018**

(30) **Foreign Application Priority Data**

Mar. 20, 2017 (KR) ..... 30-2017-0012860

(51) **LOC (12) Cl.** ..... **15-05**

(52) **U.S. Cl.**  
USPC ..... **D32/25**

(58) **Field of Classification Search**

USPC .... D32/2, 6-13, 55, 56, 58, 25-31; D6/410, D6/411, 462, 546, 548, 553, 567, 574, D6/566; D23/271, 273, 284, 286, 308  
CPC ..... D06F 33/02; D06F 39/14; D06F 37/304; D06F 39/005; D06F 39/12; D06F 37/04; D06F 39/02; D06F 29/00; D06F 37/203; D06F 37/28; D06F 37/30; D06F 58/02; D06F 2204/065; D06F 2222/00; D06F 29/005; D06F 29/02; D06F 31/00; D06F 33/00; D06F 37/10; D06F 37/12; D06F 37/36; D06F 58/206; D06F 5/22; D06F 58/24; D06F 17/08; D06F 1/04; D06F

2058/2803; D06F 2202/00; D06F 2202/02; D06F 2202/065; D06F 2202/12; D06F 2204/02; D06F 2204/086; D06F 2224/00; D06F 2232/00; D06F 2232/08; D06F 23/04; D06F 35/00; D06F 35/005; D06F 35/006;

(Continued)

(56) **References Cited**

U.S. PATENT DOCUMENTS

D762,024 S \* 7/2016 Lee ..... D32/6  
D787,764 S \* 5/2017 Kim ..... D32/29.1

(Continued)

*Primary Examiner* — Khawaja Anwar

(74) *Attorney, Agent, or Firm* — Birch, Stewart, Kolasch & Birch, LLP

(57) **CLAIM**

The ornamental design for a drawer-type washing machine, as shown and described.

**DESCRIPTION**

1. Drawer-type washing machine

1.1 : Perspective

1.2 : Front

1.3 : Back

1.4 : Left

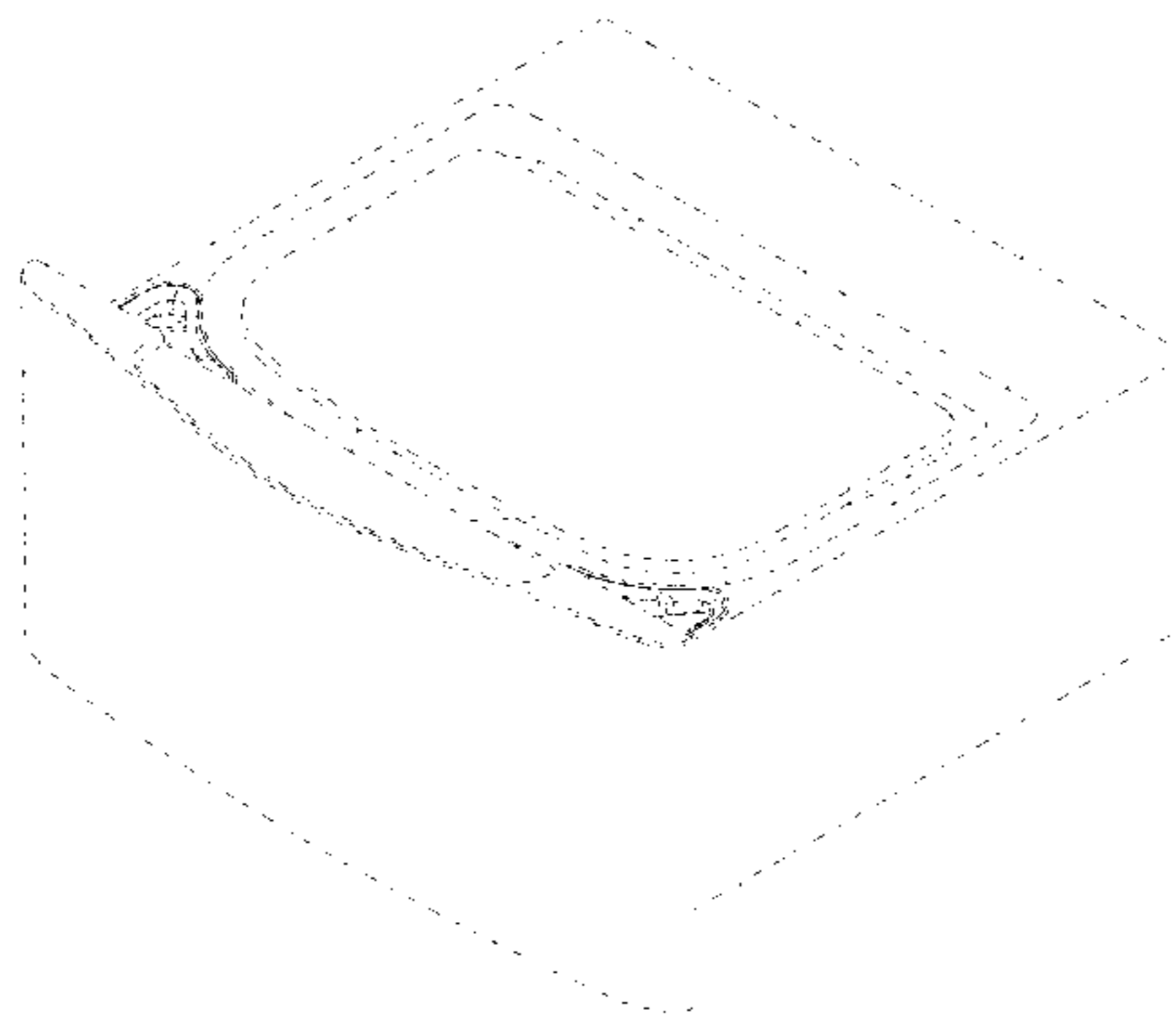
1.5 : Top

1.6 : Bottom

1.7 : Perspective view 2

The broken lines depict portions of the drawer-type washing machine that form no part of the claimed design; the dash-dot broken lines define the bounds of the claimed design and form no part thereof; reproduction 1.1 is a front perspective view of the drawer-type washing machine; reproduction 1.2 is a front view thereof; reproduction 1.3 is a back view thereof; reproduction 1.4 is left view thereof where the right view is a mirror image; reproduction 1.5 is

(Continued)



a top view thereof; reproduction 1.6 is a bottom view thereof; and reproduction 1.7 is a back perspective view thereof.

**1 Claim, 7 Drawing Sheets**

(58) **Field of Classification Search**

CPC ..... D06F 35/007; D06F 37/00; D06F 37/02;  
D06F 37/225; D06F 37/263; D06F  
37/266; D06F 37/268; D06F 37/40; D06F  
37/42; D06F 39/003; D06F 39/004; D06F  
39/007; D06F 39/08; D06F 39/088; D06F  
39/125; D06F 58/203; D06F 58/28; D06F  
81/06

See application file for complete search history.

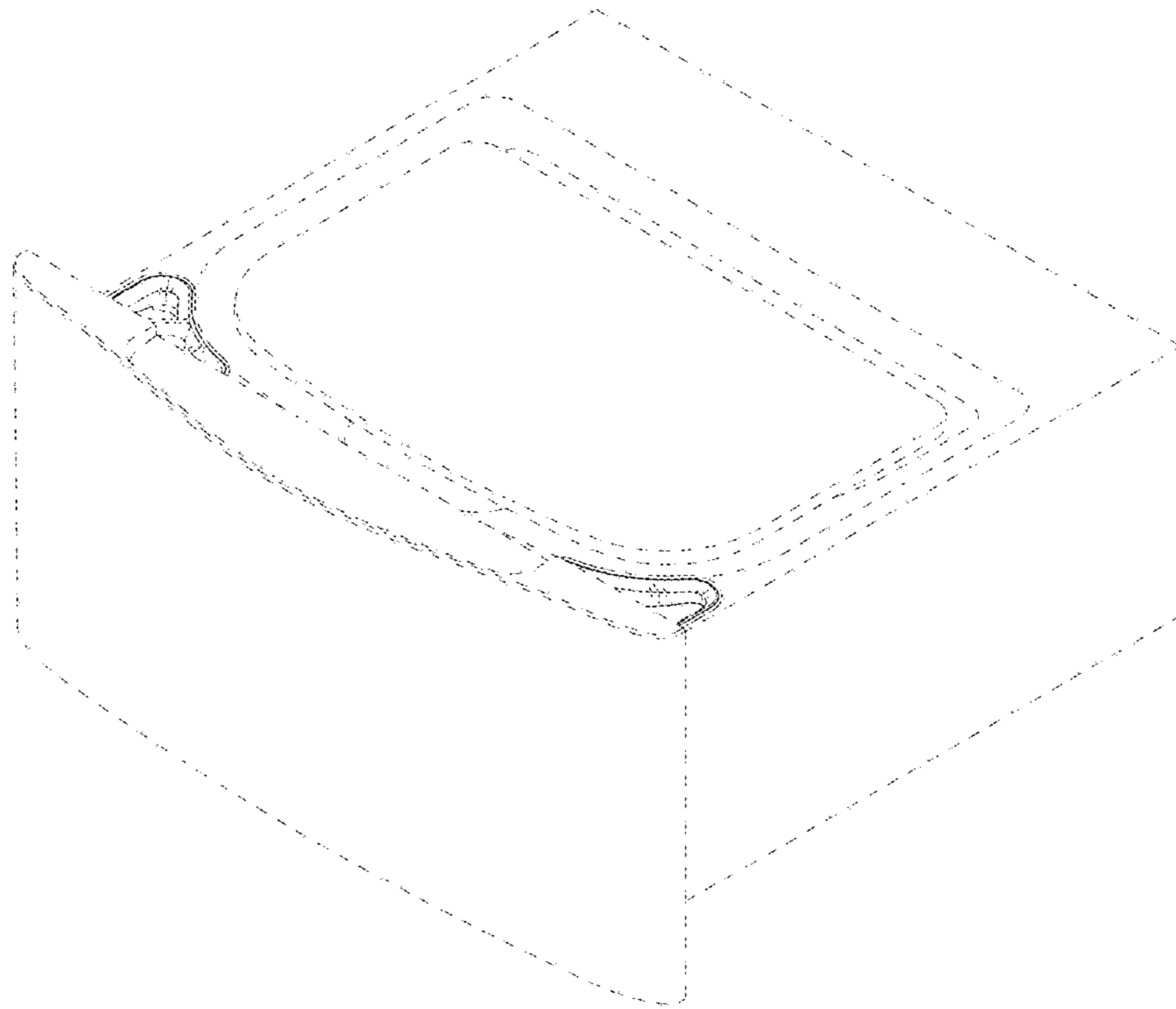
(56) **References Cited**

U.S. PATENT DOCUMENTS

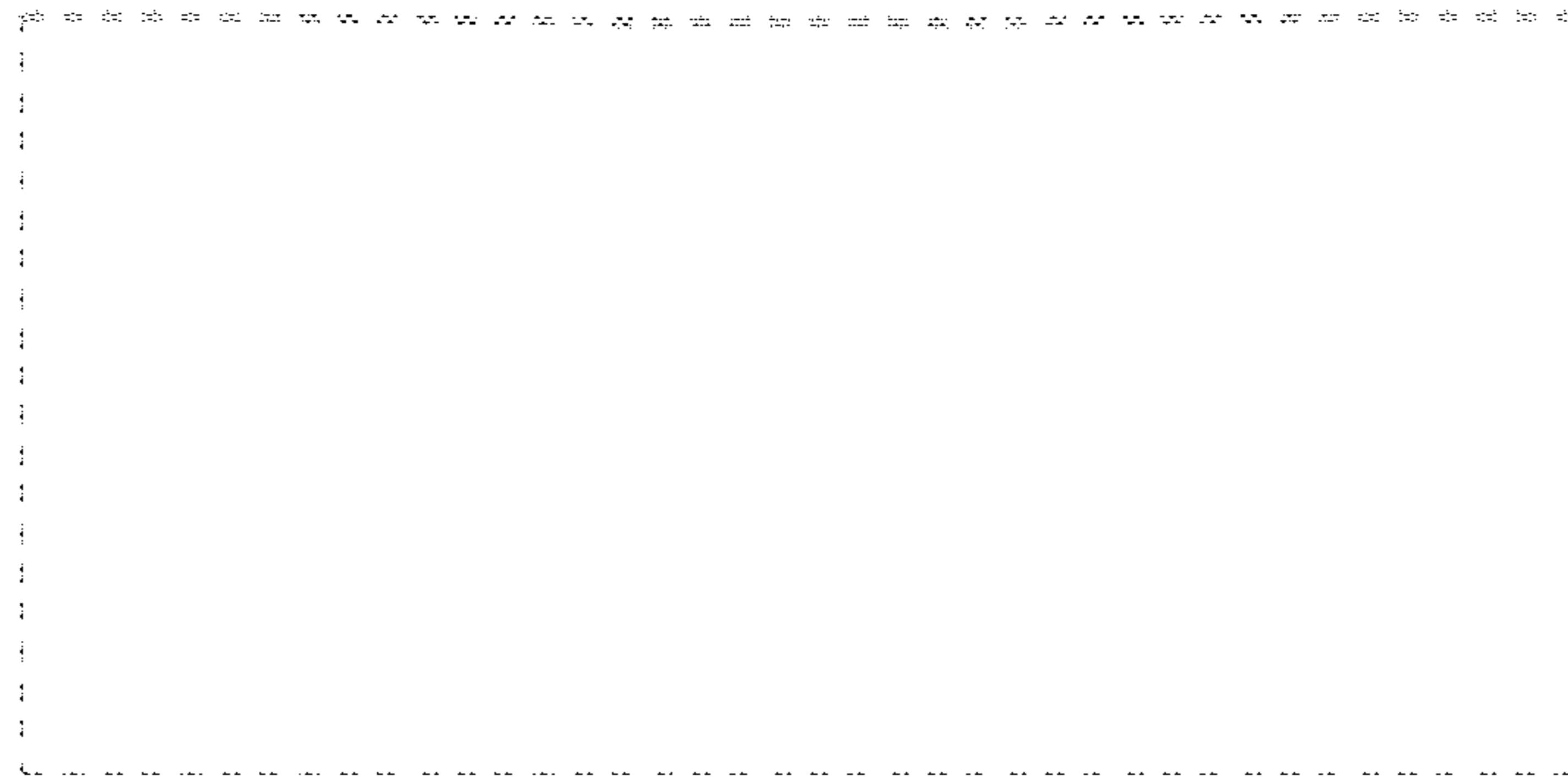
D788,391	S *	5/2017	Kim	.....	D32/29.1
D794,879	S *	8/2017	Kang	.....	D32/6
D809,225	S *	1/2018	Kim	.....	D32/6
D809,226	S *	1/2018	Kim	.....	D32/6
D809,724	S *	2/2018	Yoon	.....	D32/29.1
D824,122	S *	7/2018	Yoon	.....	D32/6
D828,661	S *	9/2018	Joo	.....	D32/29.1
D830,650	S *	10/2018	Kim	.....	D32/6
D831,285	S *	10/2018	Kim	.....	D32/29.1
2008/0011024	A1 *	1/2008	Won	.....	D06F 23/04 68/212
2016/0177492	A1 *	6/2016	Pittalis	.....	D06F 39/087 68/9

\* cited by examiner

1. 1



1. 2



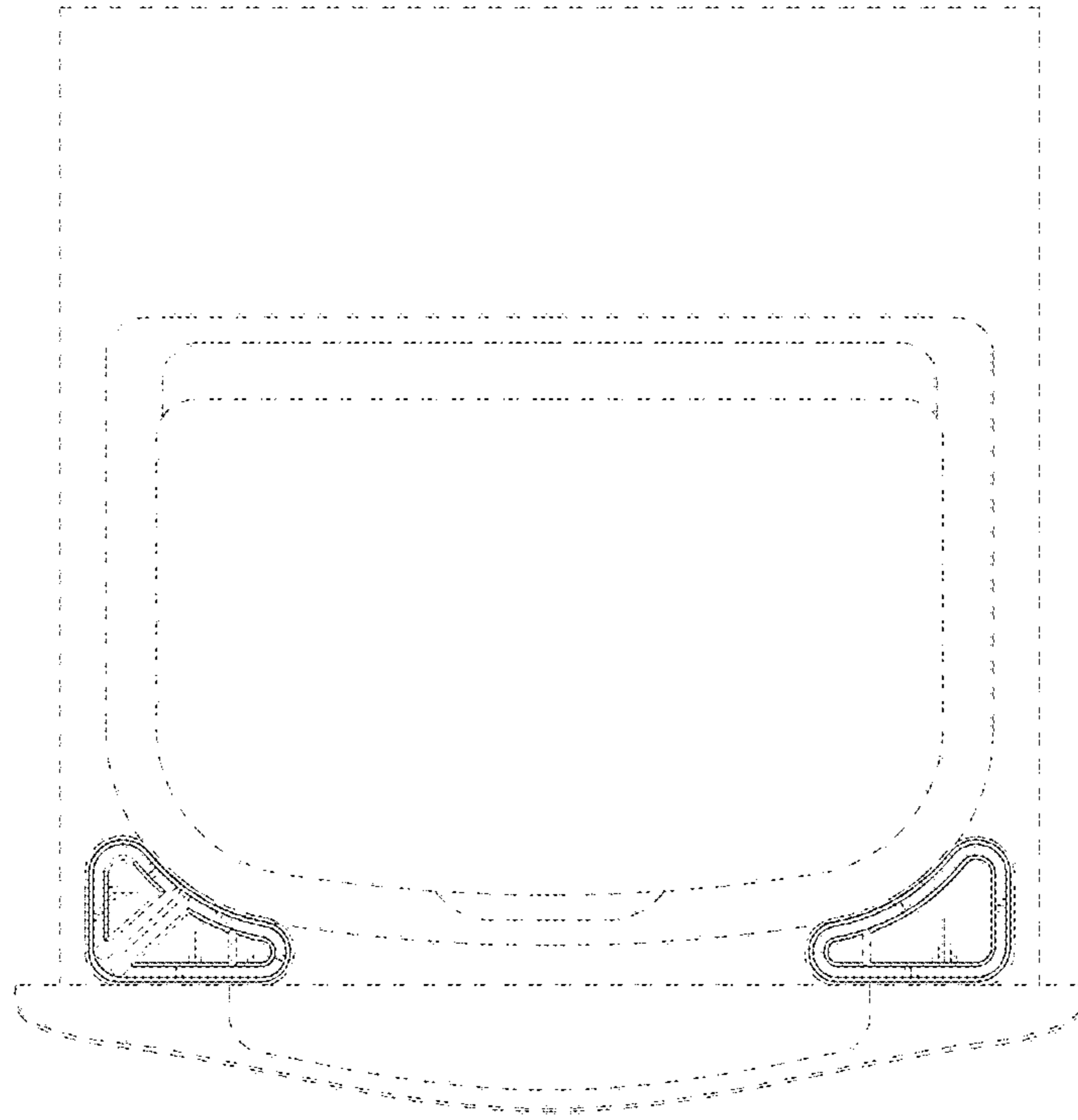
1. 3



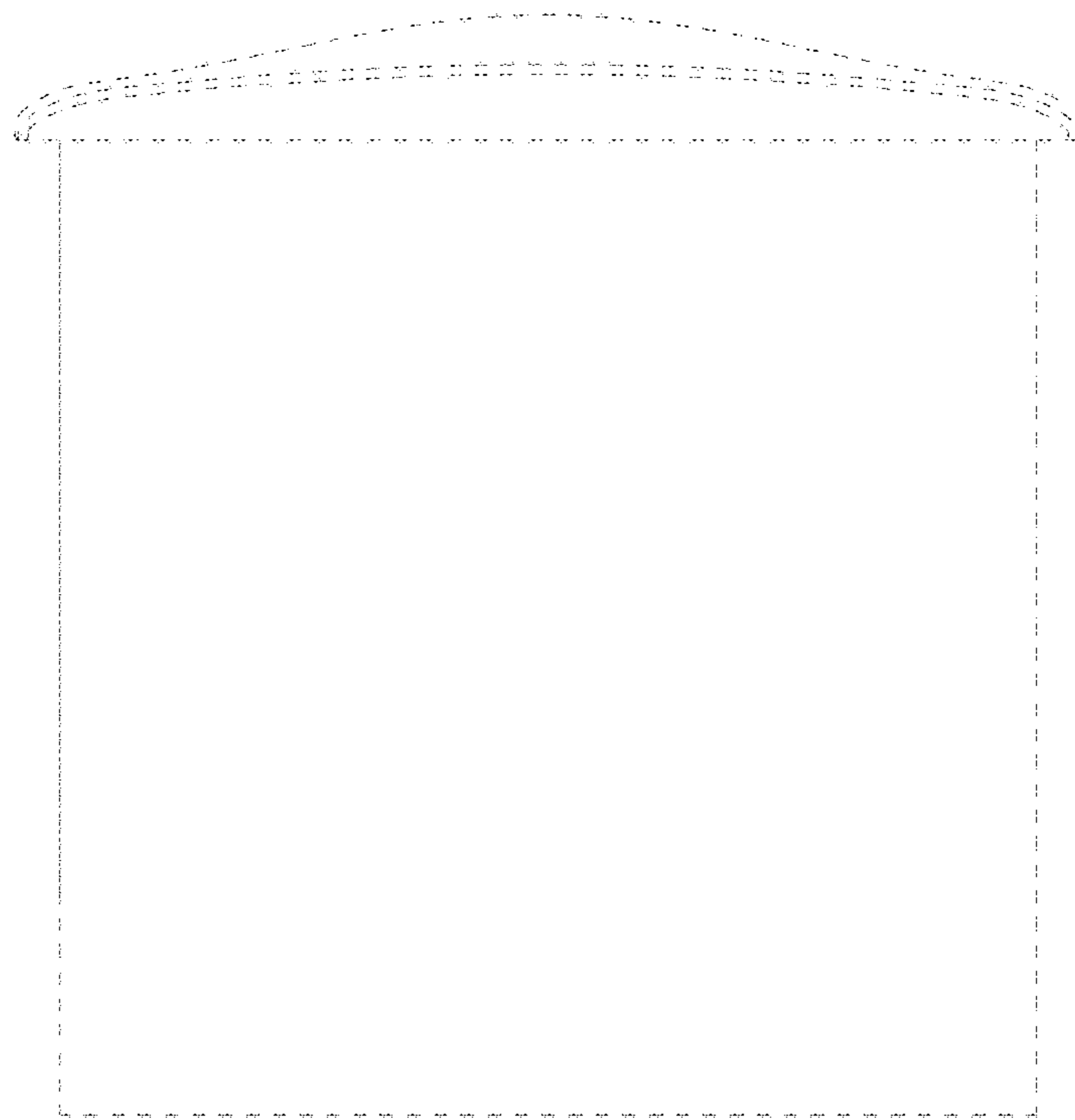
1. 4



1. 5



1. 6





1. 7

