



US00D862013S

(12) **United States Design Patent** (10) **Patent No.:** **US D862,013 S**  
**Um et al.** (45) **Date of Patent:** **\*\* Oct. 1, 2019**

(54) **DRAWER-TYPE CLOTHES DRYER**

(71) Applicant: **LG ELECTRONICS INC.**, Seoul (KR)

(72) Inventors: **Yeji Um**, Seoul (KR); **Myungshik Kim**, Seoul (KR); **Byeongkook Kim**, Seoul (KR); **Nerry Son**, Seoul (KR)

(73) Assignee: **LG ELECTRONICS INC.**, Seoul (KR)

(\*\*) Term: **15 Years**

(21) Appl. No.: **35/504,626**

(22) Filed: **Sep. 22, 2017**

(80) **Hague Agreement Data**

Int. Filing Date: **Sep. 22, 2017**  
Int. Reg. No.: **DM/098205**  
Int. Reg. Date: **Sep. 22, 2017**  
Int. Reg. Pub. Date: **Mar. 23, 2018**

(30) **Foreign Application Priority Data**

Mar. 24, 2017 (KR) ..... 30-2017-0013903

(51) **LOC (12) Cl.** ..... **15-05**

(52) **U.S. Cl.**  
USPC ..... **D32/25**

(58) **Field of Classification Search**  
USPC .... D32/2, 6-13, 55, 56, 58, 25-31; D6/410, D6/411, 462, 546, 548, 553, 567, 574, D6/566; D23/271, 273, 284, 286, 308  
(Continued)

(56) **References Cited**

**U.S. PATENT DOCUMENTS**

D549,408 S \* 8/2007 Lee ..... D32/25  
D767,837 S \* 9/2016 Chee ..... D32/25  
(Continued)

*Primary Examiner* — Khawaja Anwar

(74) *Attorney, Agent, or Firm* — Birch, Stewart, Kolasch & Birch, LLP

(57) **CLAIM**

The ornamental design for a drawer-type clothes dryer, as shown and described.

**DESCRIPTION**

1. Drawer-type clothes dryer

1.1 : Perspective

1.2 : Front

1.3 : Back

1.4 : Left

1.5 : Top

1.6 : Bottom

1.7 : Back perspective

1.8 : Reference

1.9 : Perspective view 2

1.10 : Front view 2

1.11 : Back view 2

1.12 : Left view 2

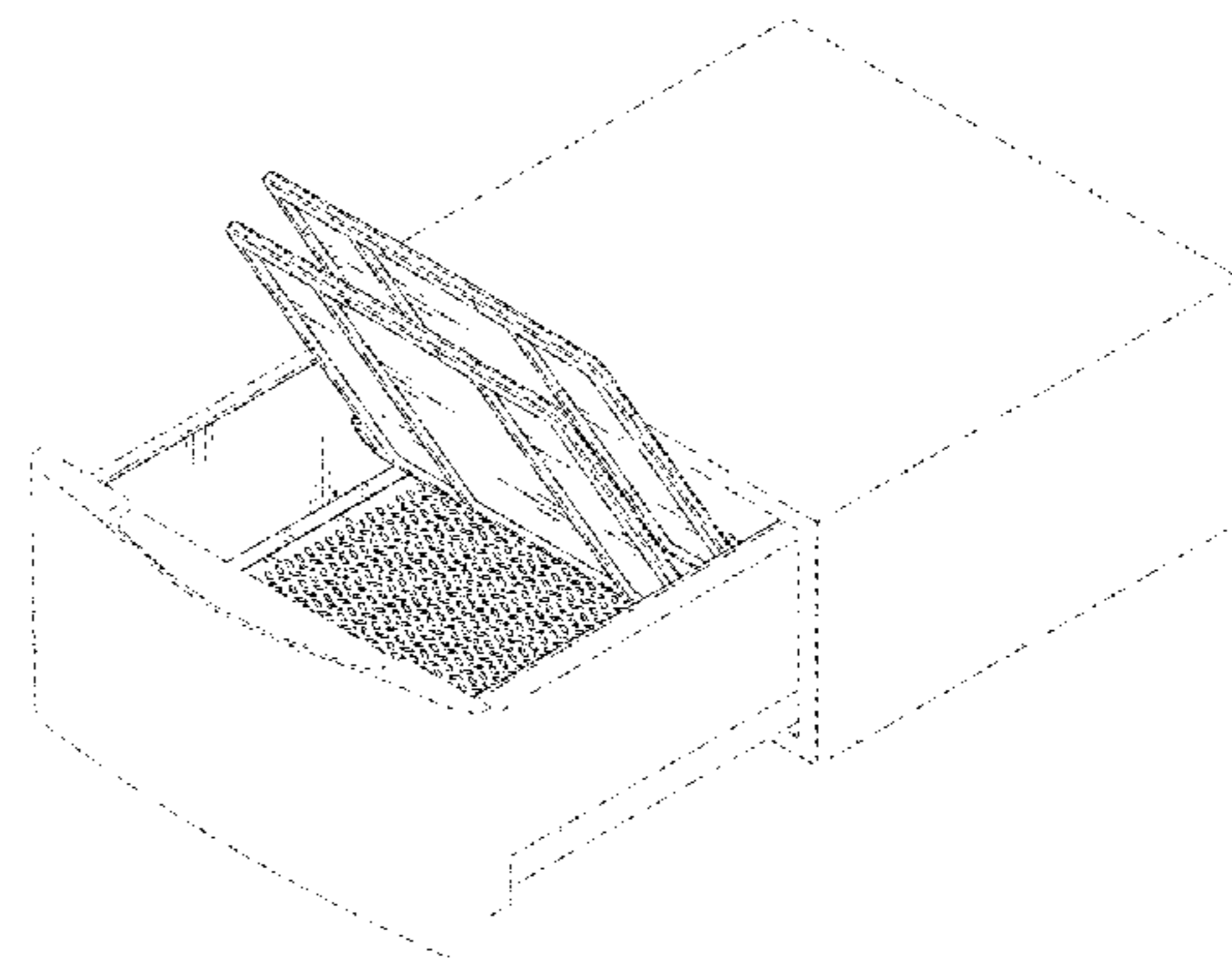
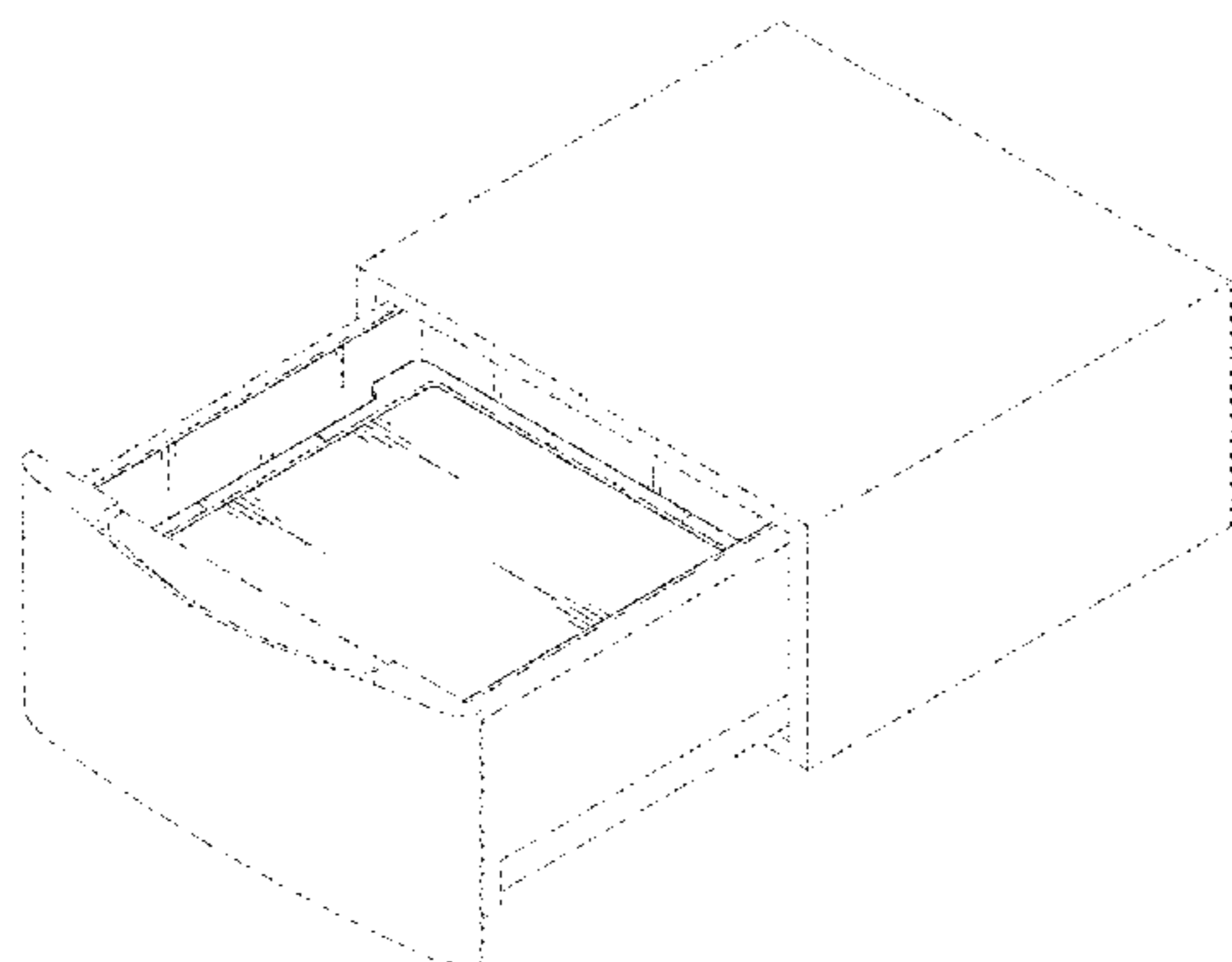
1.13 : Top view 2

1.14 : Bottom view 2

1.15 : Back perspective view 2

The broken lines depict portions of the drawer-type clothes dryer that form no part of the claimed design; the dash-dot broken lines define the bounds of the claimed design and form no part thereof; reproduction 1.1 is a front perspective view of the drawer-type clothes dryer; reproductions 1.2, 1.3, 1.4, 1.5, 1.6 and 1.7 are the front, back, left (where the right view is mirror image), top, bottom and back perspective views of reproduction 1.1; reproduction 1.8 is a reference view in a condition that a drying rack has been detached; reproduction 1.9 is a front perspective view in a condition that inner drying rack is opened upward; reproductions 1.10, 1.11, 1.12, 1.13, 1.14 and 1.15 are the front, back, left (where the right view is mirror image), top, bottom and back perspective views of reproduction 1.9.

**1 Claim, 15 Drawing Sheets**



(58) **Field of Classification Search**

CPC ..... D06F 33/02; D06F 39/14; D06F 37/304;  
D06F 39/005; D06F 39/12; D06F 37/04;  
D06F 39/02; D06F 29/00; D06F 37/203;  
D06F 37/28; D06F 37/30; D06F 58/02;  
D06F 2204/065; D06F 2222/00; D06F  
29/005; D06F 29/02; D06F 31/00; D06F  
33/00; D06F 37/10; D06F 37/12; D06F  
37/36; D06F 58/206; D06F 58/22; D06F  
58/24; D06F 17/08; D06F 1/04; D06F  
2058/2803; D06F 2202/00; D06F  
2202/02; D06F 2202/065; D06F 2202/12;  
D06F 2204/02; D06F 2204/086; D06F  
2224/00; D06F 2232/00; D06F 2232/08;  
D06F 23/04; D06F 35/00; D06F 35/005;  
D06F 35/006; D06F 35/007; D06F 37/00;  
D06F 37/02; D06F 37/225; D06F 37/263;  
D06F 37/266; D06F 37/268; D06F 37/40;  
D06F 37/42; D06F 39/003; D06F 39/004;  
D06F 39/007; D06F 39/08; D06F 39/088;  
D06F 39/125; D06F 58/203; D06F 58/28;  
D06F 81/06

See application file for complete search history.

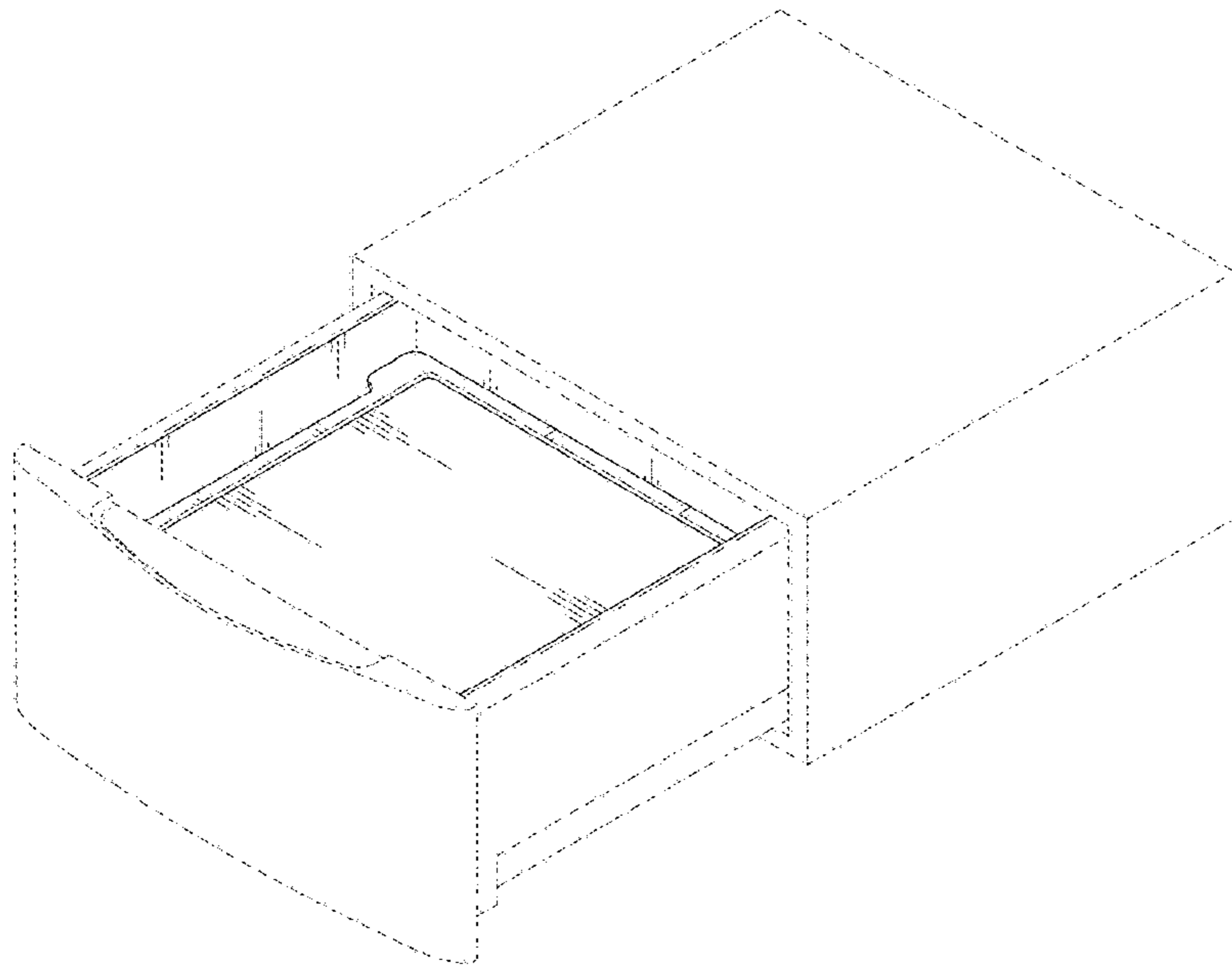
(56) **References Cited**

U.S. PATENT DOCUMENTS

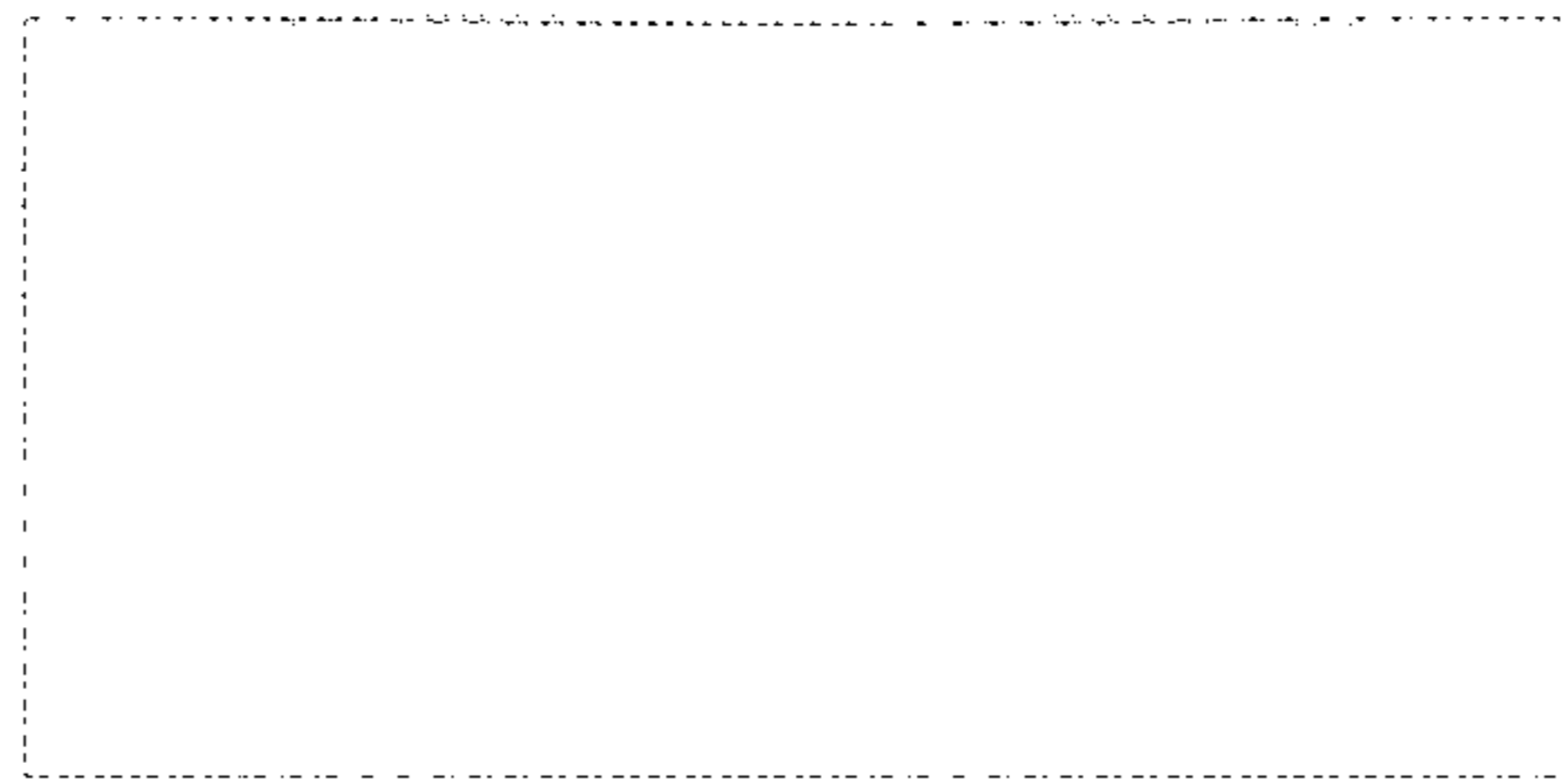
D784,637	S	*	4/2017	Kim	.....	D32/25
D804,118	S	*	11/2017	Kim	.....	D32/25
D809,222	S	*	1/2018	Kim	.....	D32/6
D809,225	S	*	1/2018	Kim	.....	D32/6
D809,226	S	*	1/2018	Kim	.....	D32/6
D811,028	S	*	2/2018	Ha	.....	D32/25

\* cited by examiner

1.1



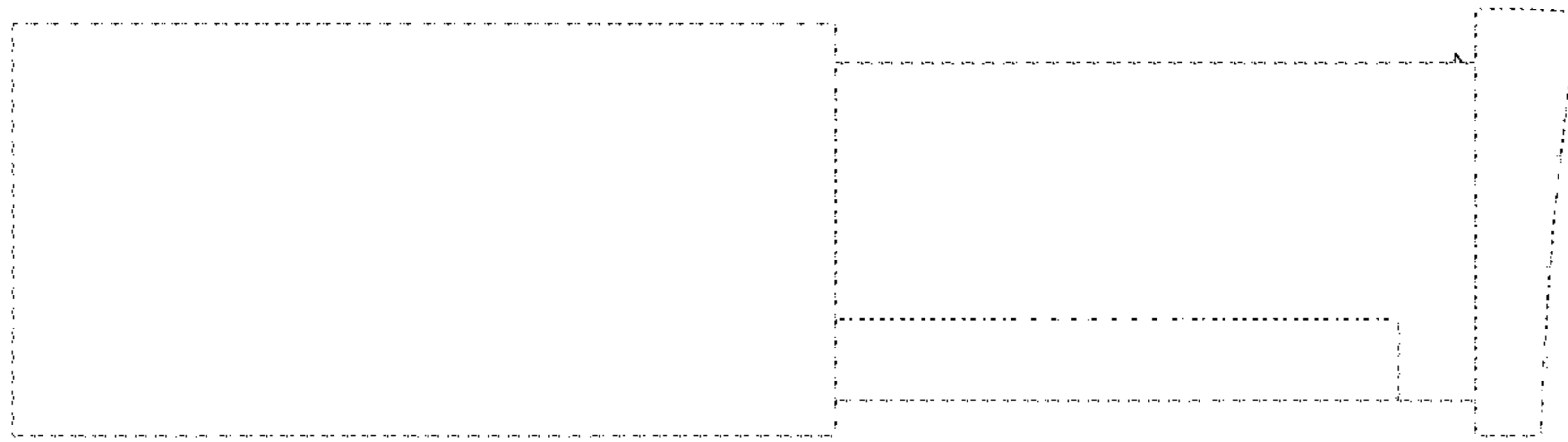
**1.2**



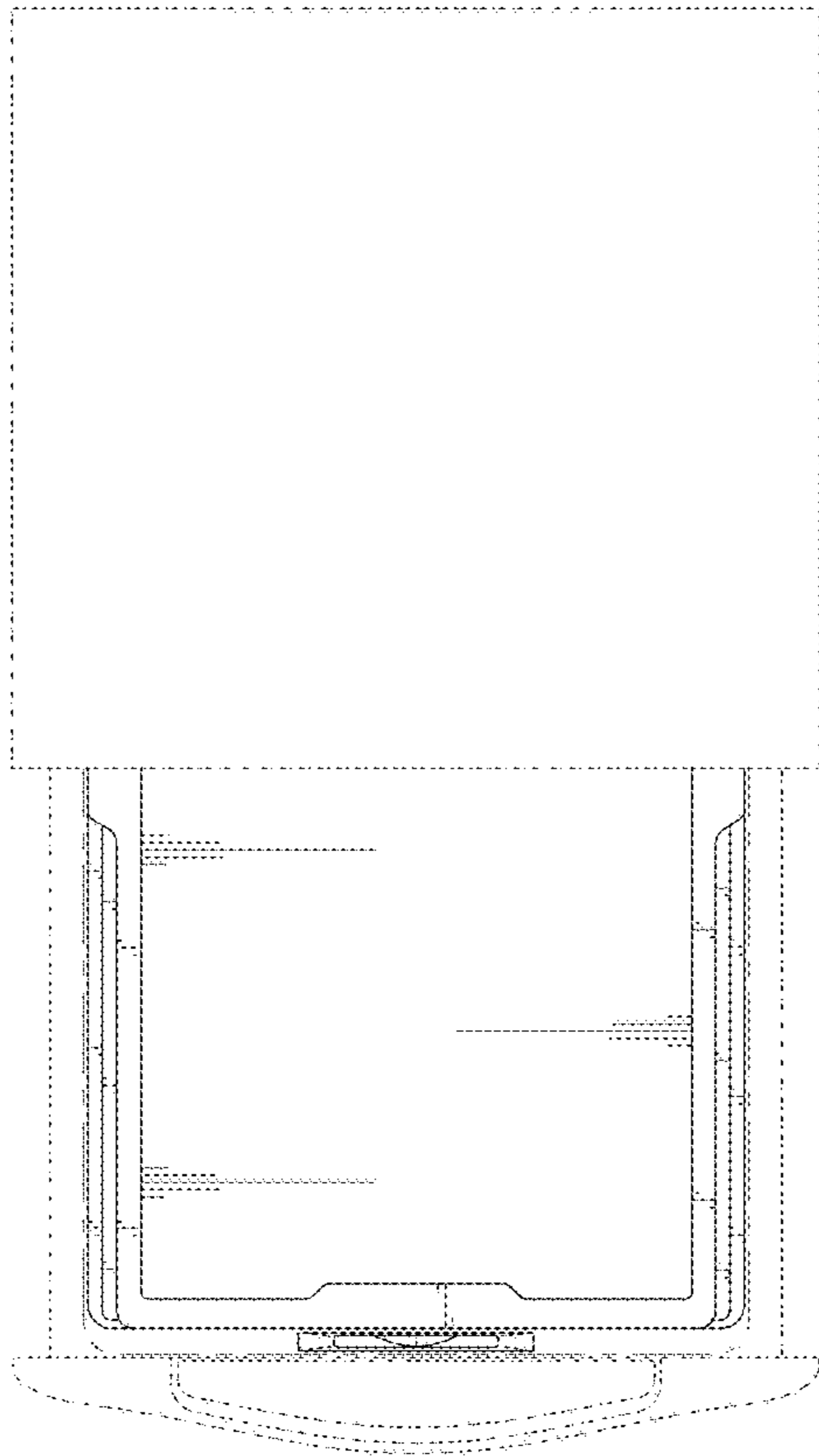
**1.3**



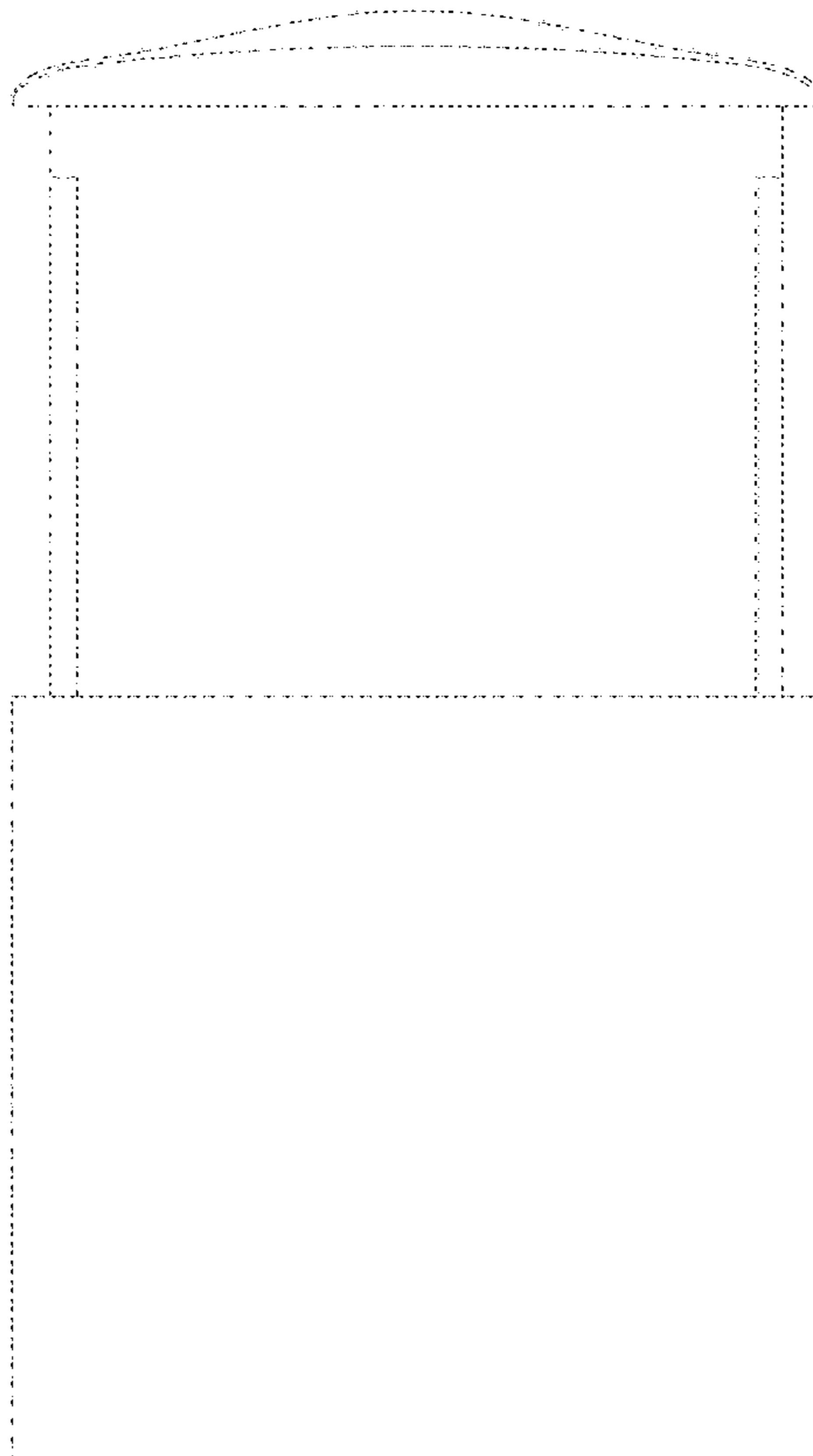
1.4



1.5

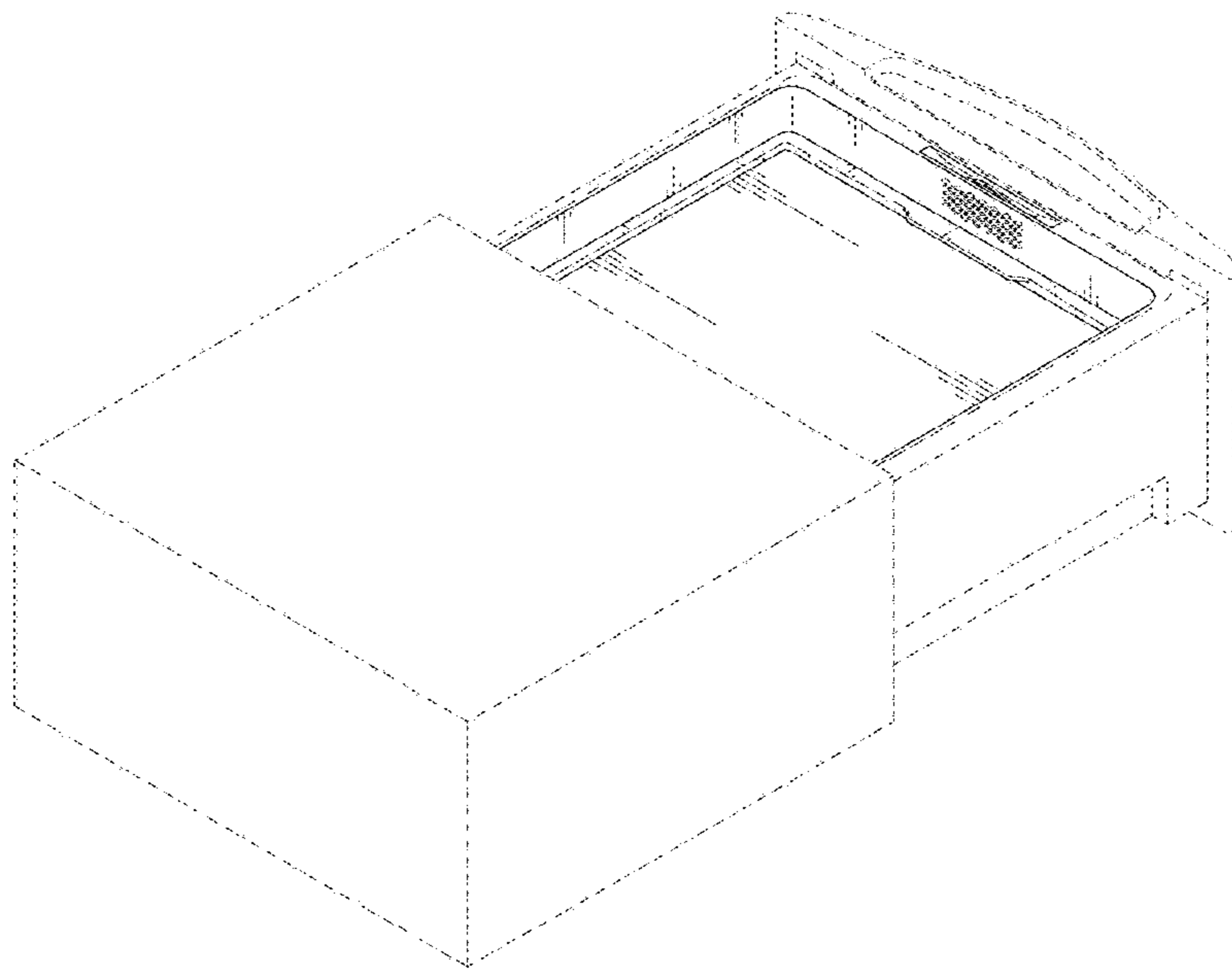


1.6

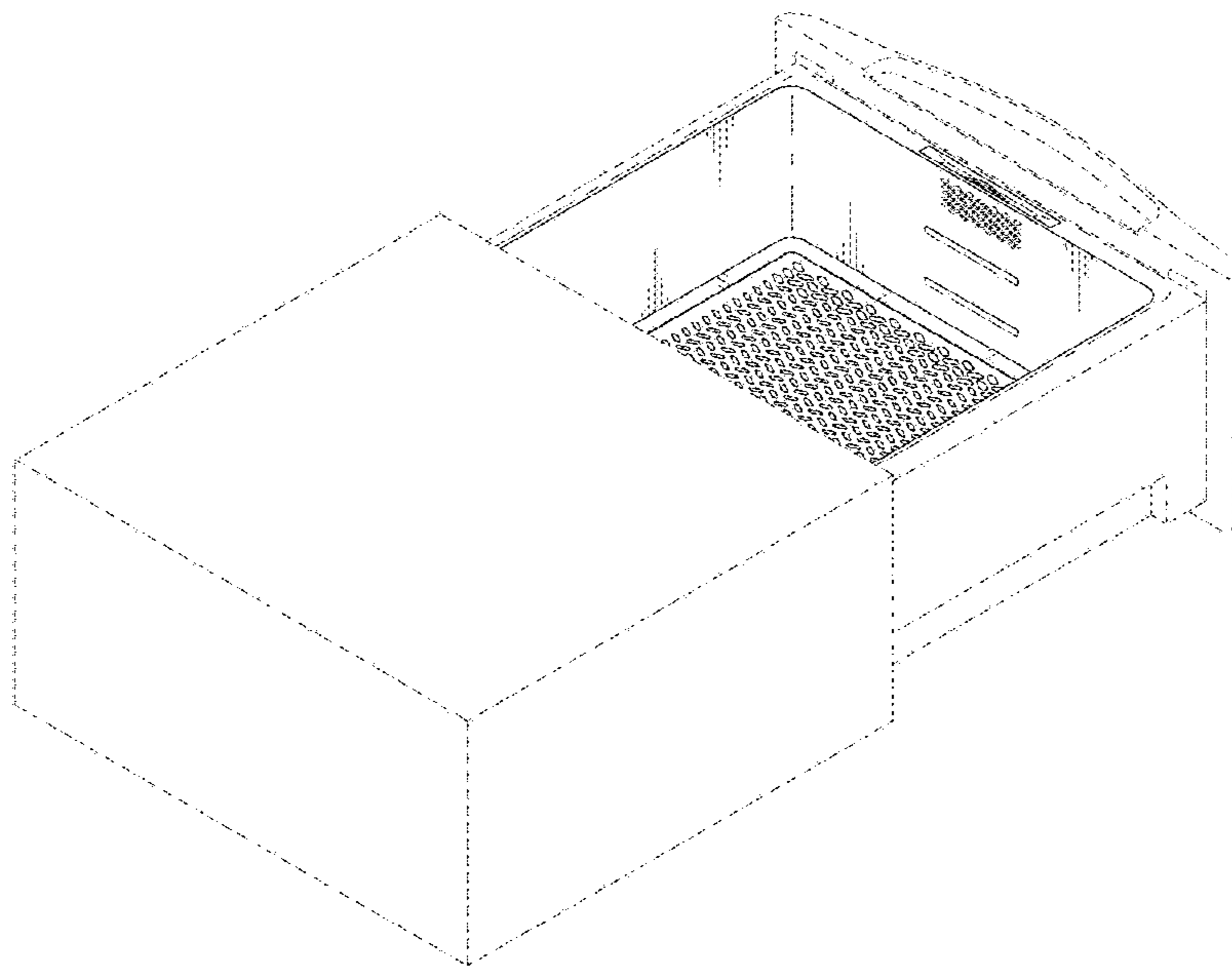




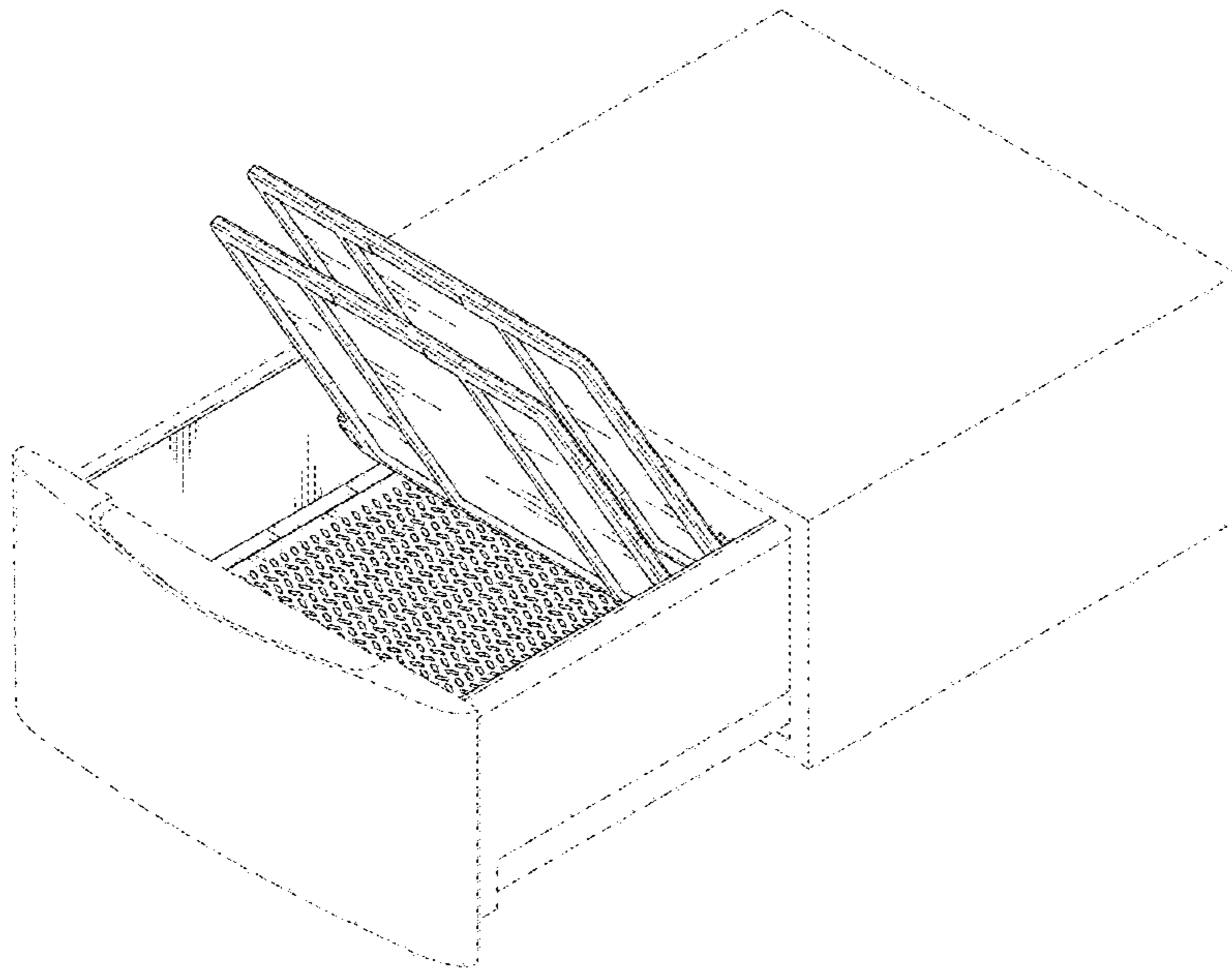
1.7



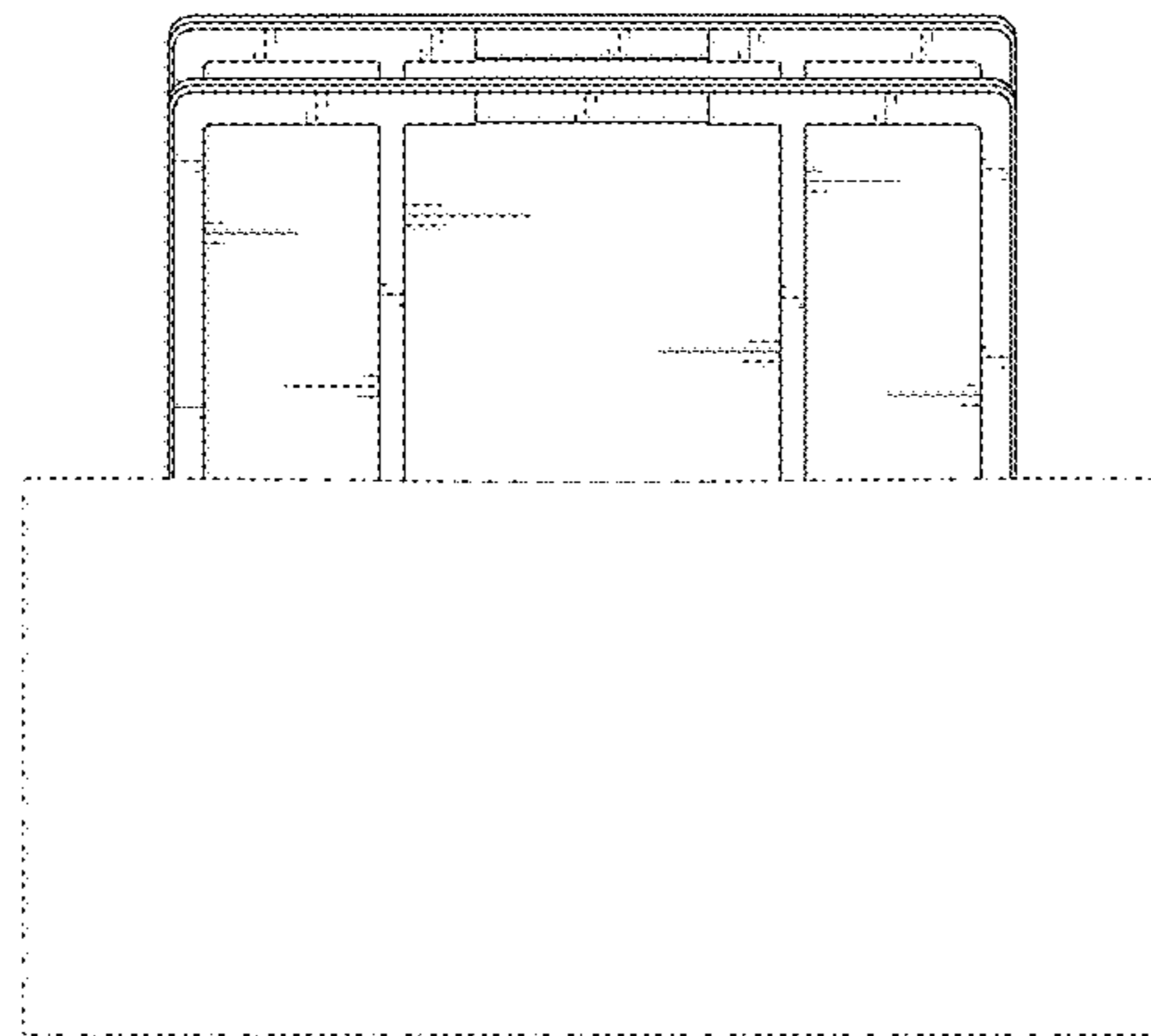
1.8



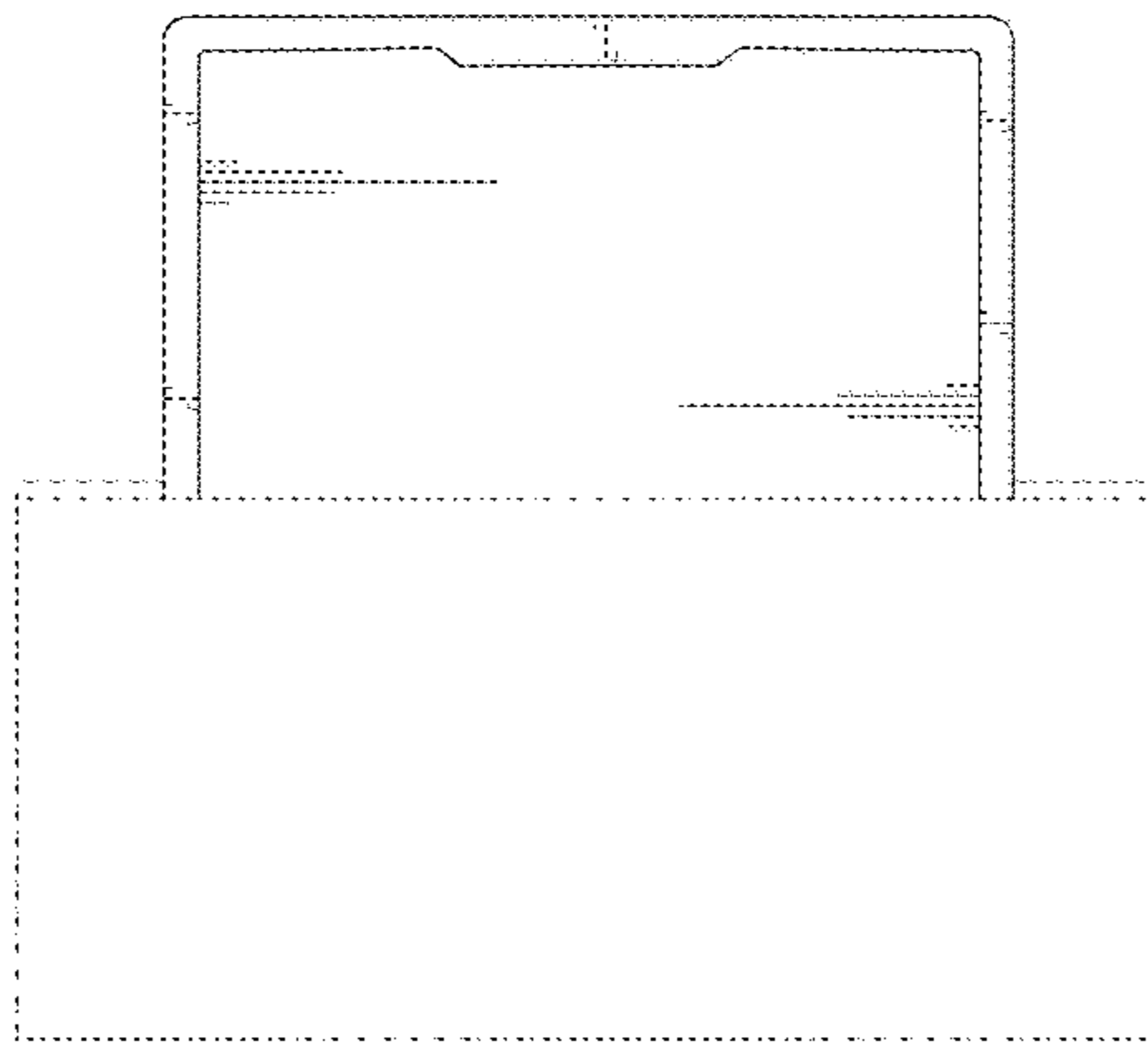
1.9



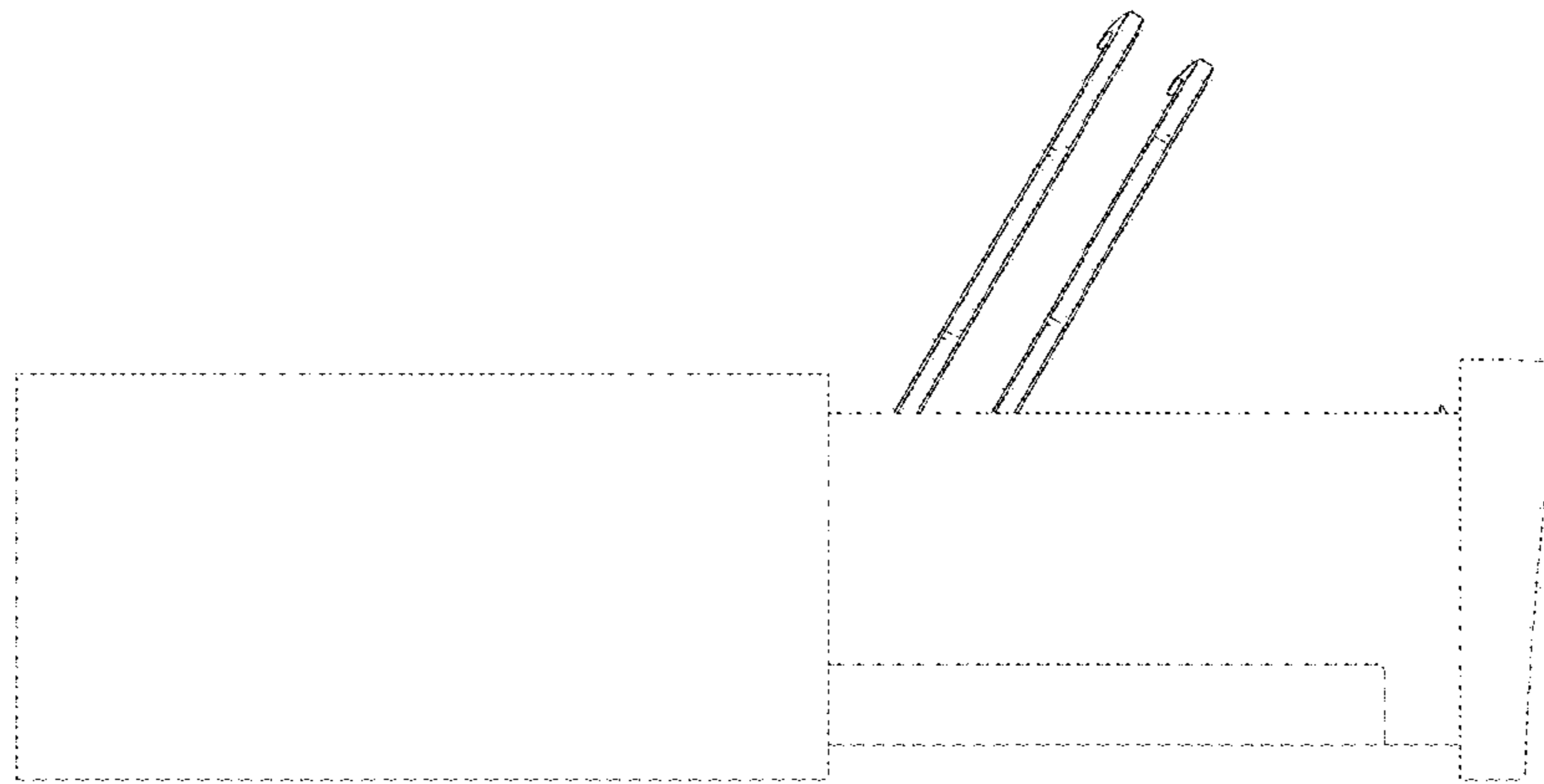
1.10



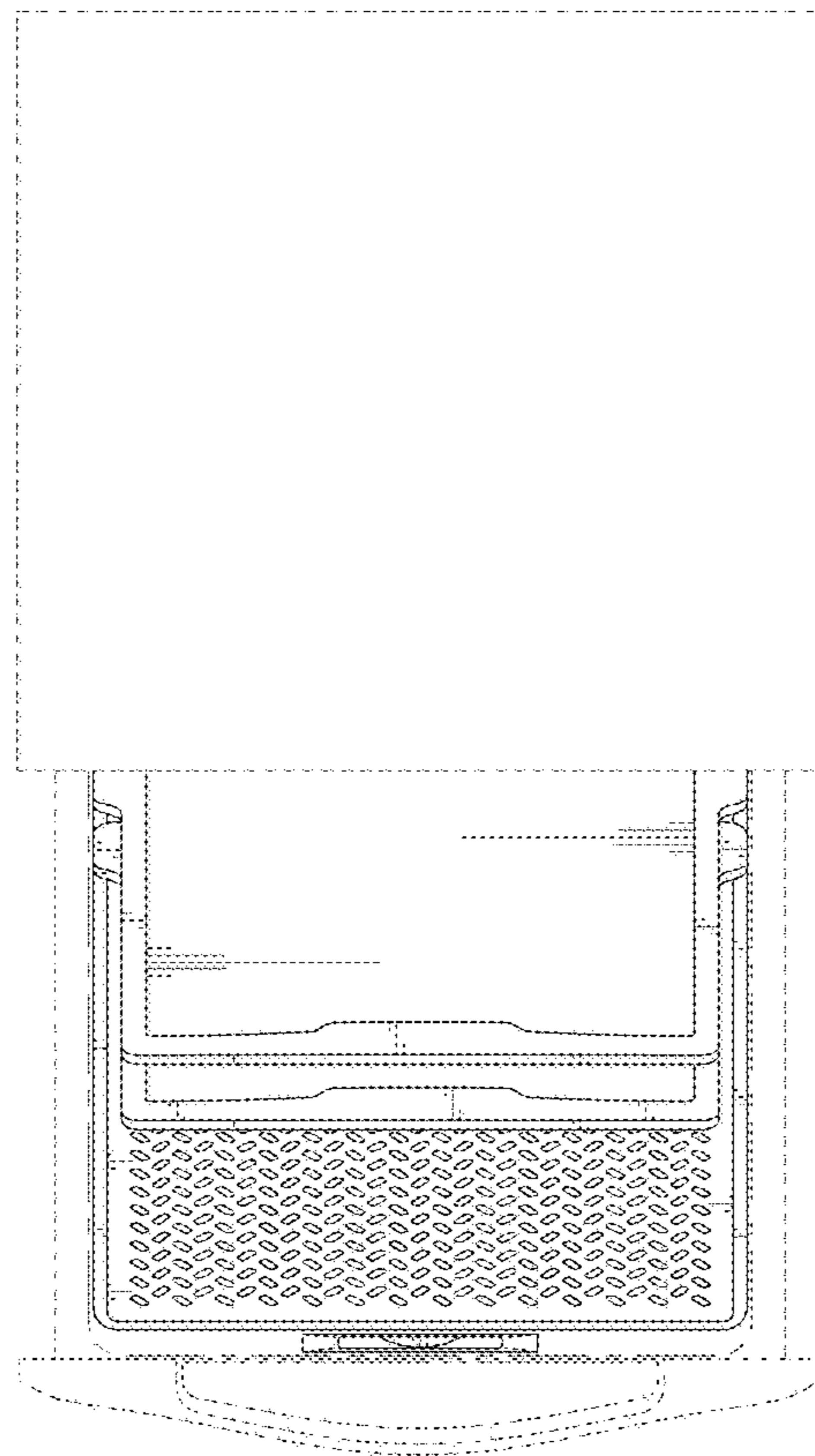
1.11



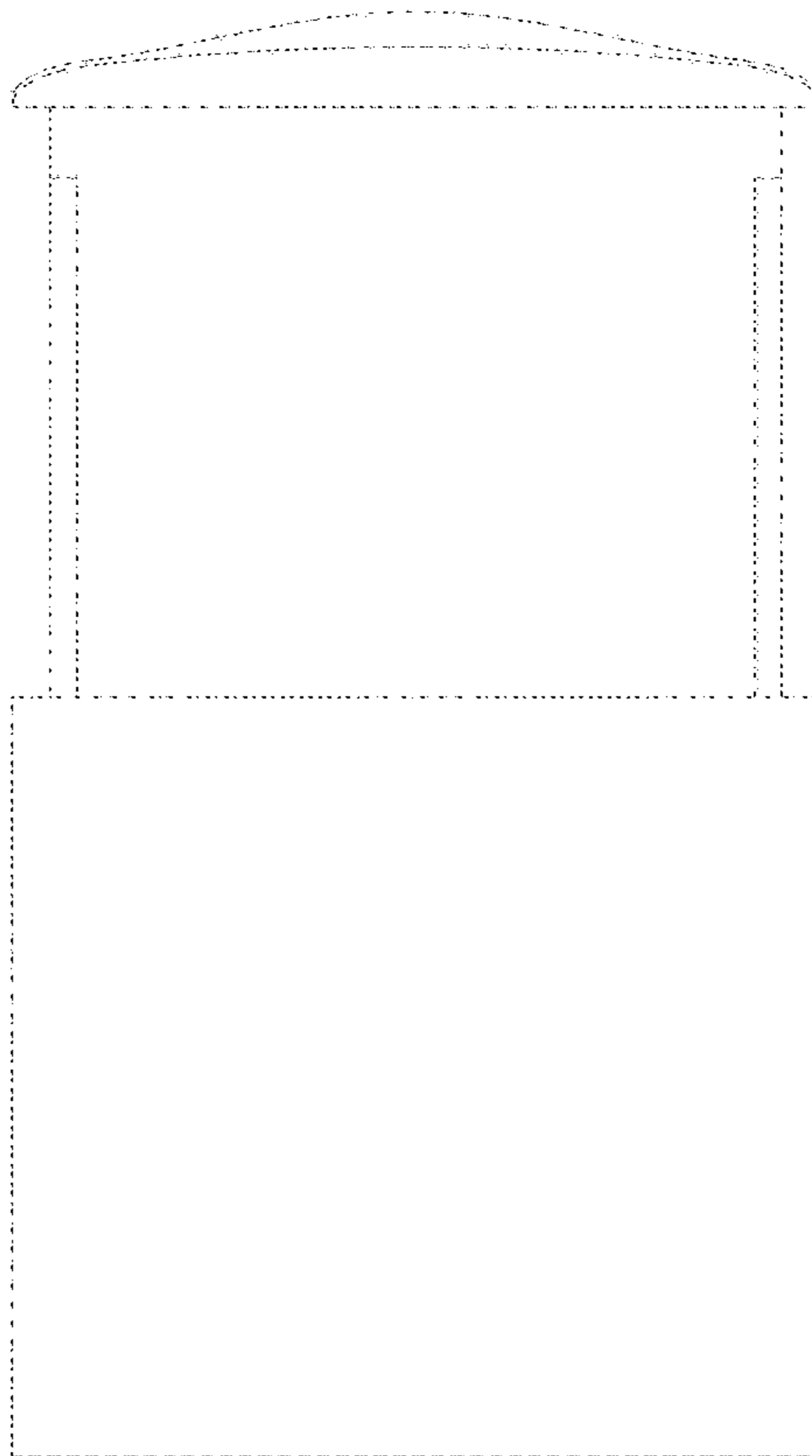
1.12



1.13



1.14





1.15

