



US00D862012S

(12) **United States Design Patent** (10) **Patent No.:** **US D862,012 S**
Chung et al. (45) **Date of Patent:** **** Oct. 1, 2019**

(54) **WASHSTAND WITH MINI WASHING MACHINE**

Primary Examiner — Khawaja Anwar
(74) *Attorney, Agent, or Firm* — Birch, Stewart, Kolasch & Birch, LLP

(71) Applicant: **LG ELECTRONICS INC.**, Seoul (KR)

(57) **CLAIM**

The ornamental design for a washstand with mini washing machine, as shown and described.

(72) Inventors: **Wookjun Chung**, Seoul (KR); **Youngsoo Ha**, Seoul (KR); **Eunyoung Chee**, Seoul (KR); **Jaeil Bae**, Seoul (KR); **Yoonji Lee**, Seoul (KR)

DESCRIPTION

(73) Assignee: **LG ELECTRONICS INC.**, Seoul (KR)

1. Washstand with mini washing machine

(**) Term: **15 Years**

1.1 : Perspective

(21) Appl. No.: **35/504,061**

1.2 : Front

(22) Filed: **May 26, 2017**

1.3 : Back

(80) **Hague Agreement Data**

Int. Filing Date: **May 26, 2017**

1.4 : Left

Int. Reg. No.: **DM/098456**

1.5 : Right

Int. Reg. Date: **May 26, 2017**

1.6 : Top

Int. Reg. Pub. Date: **Dec. 1, 2017**

1.7 : Bottom

(30) **Foreign Application Priority Data**

Nov. 28, 2016 (KR) 30-2016-0057180

1.8 : Perspective

(51) **LOC (12) Cl.** **15-05**

1.9 : Front

(52) **U.S. Cl.**
USPC **D32/25**

1.10 : Back

(58) **Field of Classification Search**
USPC D32/2, 6-13, 55, 56, 58; D23/271, 273, D23/284, 286, 308

1.11 : Left

(Continued)

1.12 : Right

(56) **References Cited**

U.S. PATENT DOCUMENTS

D602,133 S * 10/2009 Soulier D23/284

1.13 : Top

D624,634 S * 9/2010 Thomas D23/286

1.14 : Bottom

(Continued)

1.15 : Perspective

1.16 : Front

1.17 : Back

1.18 : Left

1.19 : Right

1.20 : Top

1.21 : Bottom

1.22 : Perspective

1.23 : Front

1.24 : Back

1.25 : Left

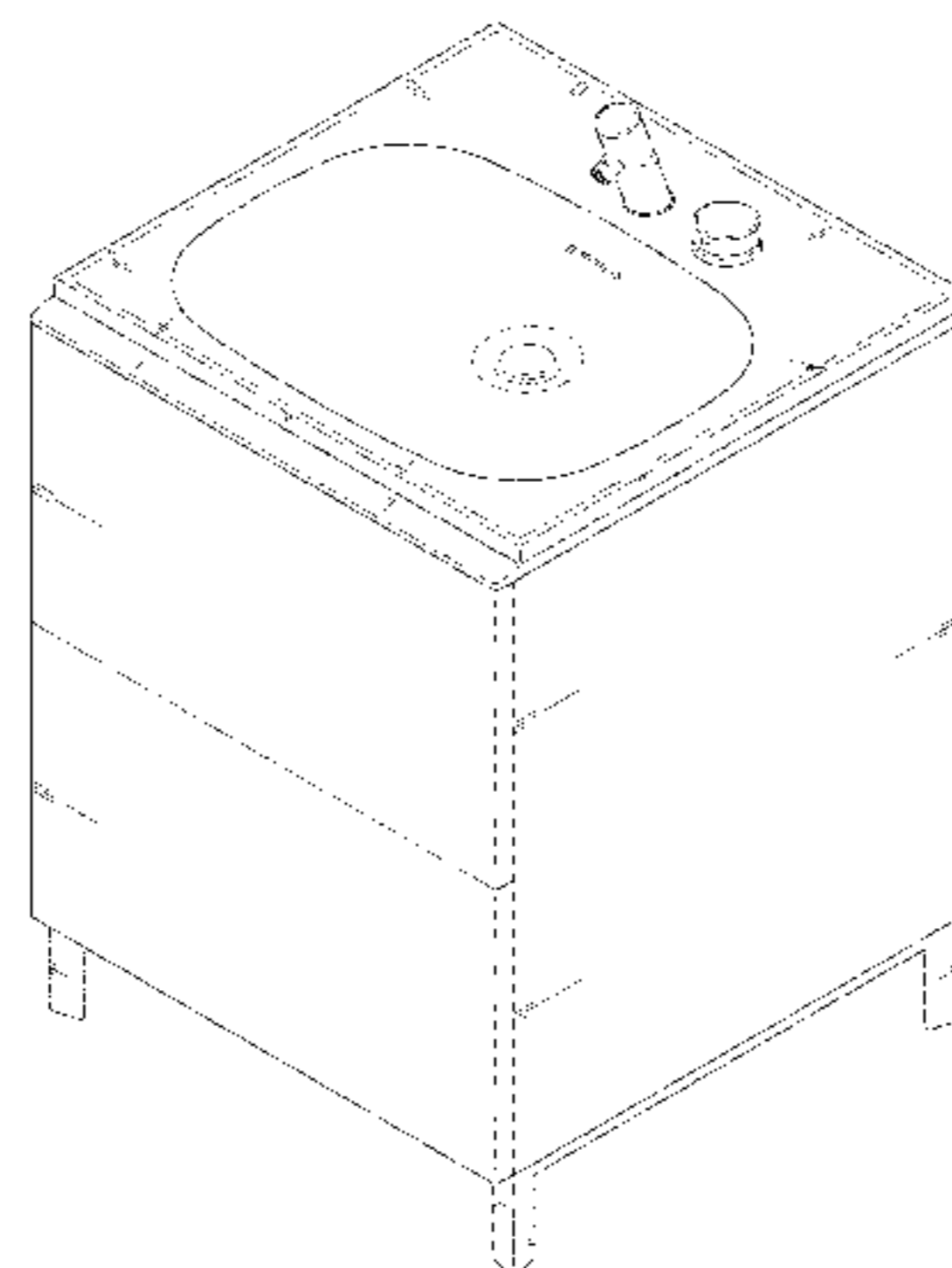
1.26 : Right

1.27 : Top

1.28 : Bottom

The broken lines depict portions of the washstand with mini washing machine that form no part of the claimed design. Reproduction 1.1 is a front perspective view of the washstand with mini washing machine; reproduction 1.8 is a front perspective view thereof in a condition that the upper

(Continued)



drawer, in which a drying rack is installed, is open; reproduction 1.15 is a front perspective view thereof in a condition that the cleansing water filter drawer inside the upper drawer is open; reproduction 1.22 is a front perspective view thereof in a condition that the lower drawer, in which the mini washing machine is installed, is open; reproductions 1.2, 1.9, 1.16 and 1.23 are the front views of reproductions 1.1, 1.8, 1.15 and 1.22, respectively; reproductions 1.3, 1.10, 1.17 and 1.24 are the back views of reproductions 1.1, 1.8, 1.15 and 1.22, respectively; reproductions 1.4, 1.11, 1.18 and 1.25 are the left views of reproductions 1.1, 1.8, 1.15 and 1.22, respectively; reproductions 1.5, 1.12, 1.19 and 1.26 are the right views of reproductions 1.1, 1.8, 1.15 and 1.22, respectively; reproductions 1.6, 1.13, 1.20 and 1.27 are the top views of reproductions 1.1, 1.8, 1.15 and 1.22, respectively; and reproductions 1.7, 1.14, 1.21 and 1.28 are the bottom views of reproductions 1.1, 1.8, 1.15 and 1.22, respectively.

1 Claim, 28 Drawing Sheets

(58) **Field of Classification Search**

CPC D06F 33/02; D06F 39/14; D06F 37/304;
 D06F 39/005; D06F 39/12; D06F 37/04;
 D06F 39/02; D06F 29/00; D06F 37/203;
 D06F 37/28; D06F 37/30; D06F 58/02;
 D06F 2204/065; D06F 2222/00; D06F
 29/005; D06F 29/02; D06F 31/00; D06F
 33/00; D06F 37/10; D06F 37/12; D06F
 37/36; D06F 58/206; D06F 58/22; D06F

58/24; D06F 17/08; D06F 1/04; D06F
 2058/2803; D06F 2202/00; D06F
 2202/02; D06F 2202/065; D06F 2202/12;
 D06F 2204/02; D06F 2204/086; D06F
 2224/00; D06F 2232/00; D06F 2232/08;
 D06F 23/04; D06F 35/00; D06F 35/005;
 D06F 35/006; D06F 35/007; D06F 37/00;
 D06F 37/02; D06F 37/225; D06F 37/263;
 D06F 37/266; D06F 37/268; D06F 37/40;
 D06F 37/42; D06F 39/003; D06F 39/004;
 D06F 39/007; D06F 39/08; D06F 39/088;
 D06F 39/125; D06F 58/203; D06F 58/28;
 D06F 81/06

See application file for complete search history.

(56)

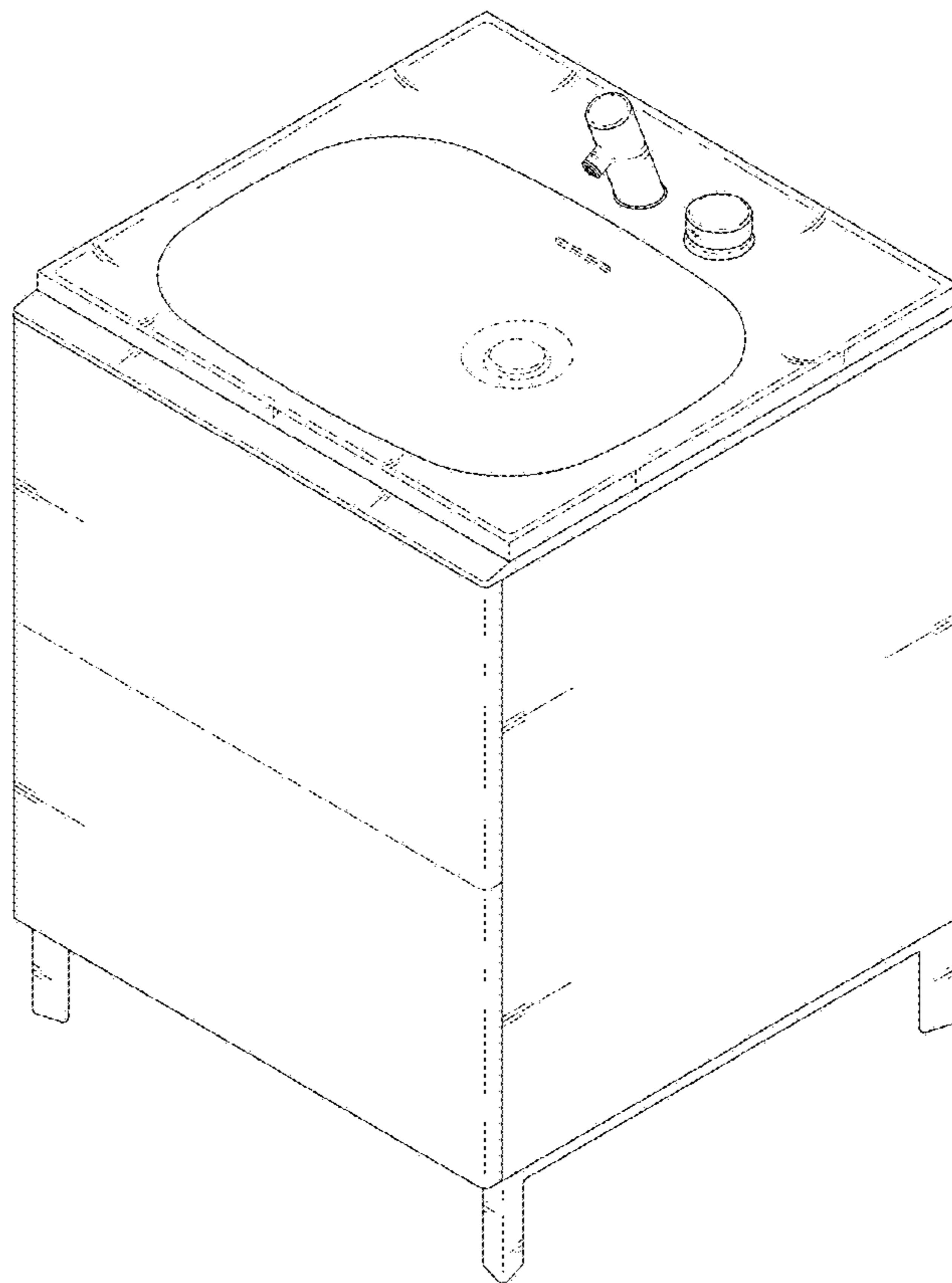
References Cited

U.S. PATENT DOCUMENTS

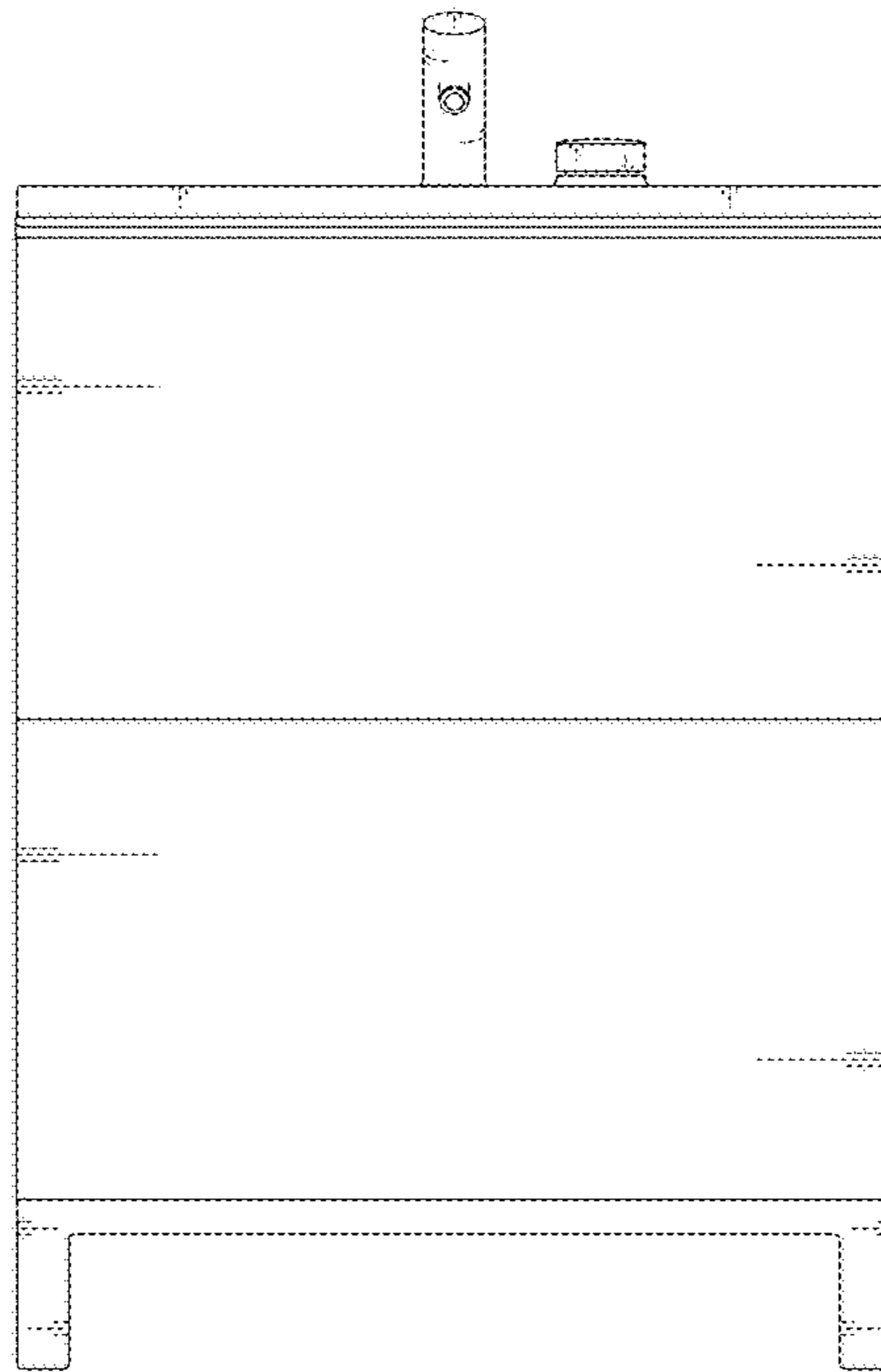
D675,300	S	*	1/2013	Miller	D23/308
D777,889	S	*	1/2017	Danelon	D23/286
D795,402	S	*	8/2017	Breda	D23/284
D798,006	S	*	9/2017	Kang	D32/6
D800,278	S	*	10/2017	Breda	D23/284
D809,224	S	*	1/2018	Kim	D32/6
D809,225	S	*	1/2018	Kim	D32/6
D809,226	S	*	1/2018	Kim	D32/6
D811,671	S	*	2/2018	Yoon	D32/8
D813,359	S	*	3/2018	Corbetta	D23/286
D813,361	S	*	3/2018	Krahn	D23/308
D824,122	S	*	7/2018	Yoon	D32/6
D826,489	S	*	8/2018	Yoon	D32/6

* cited by examiner

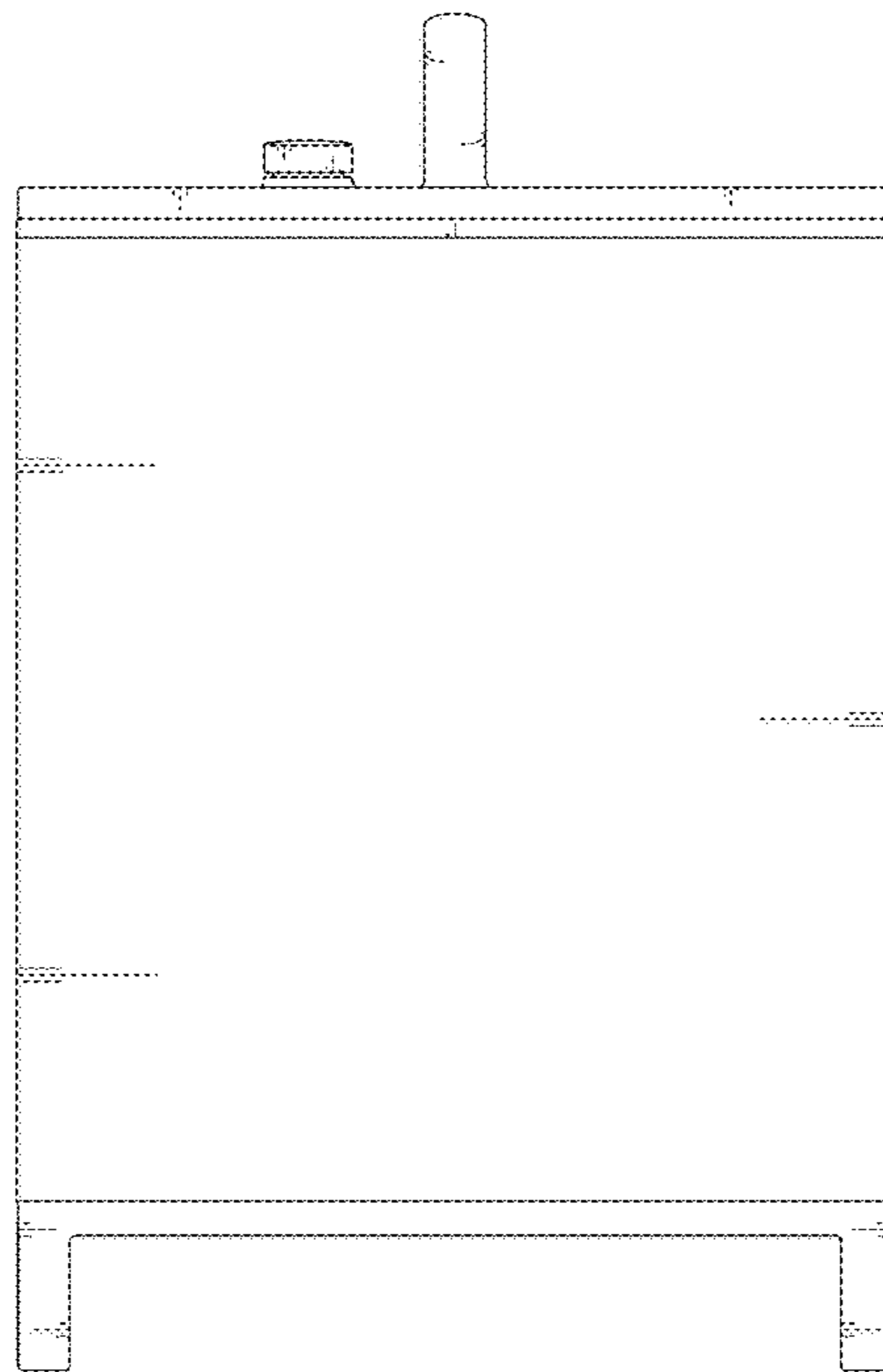
1. 1



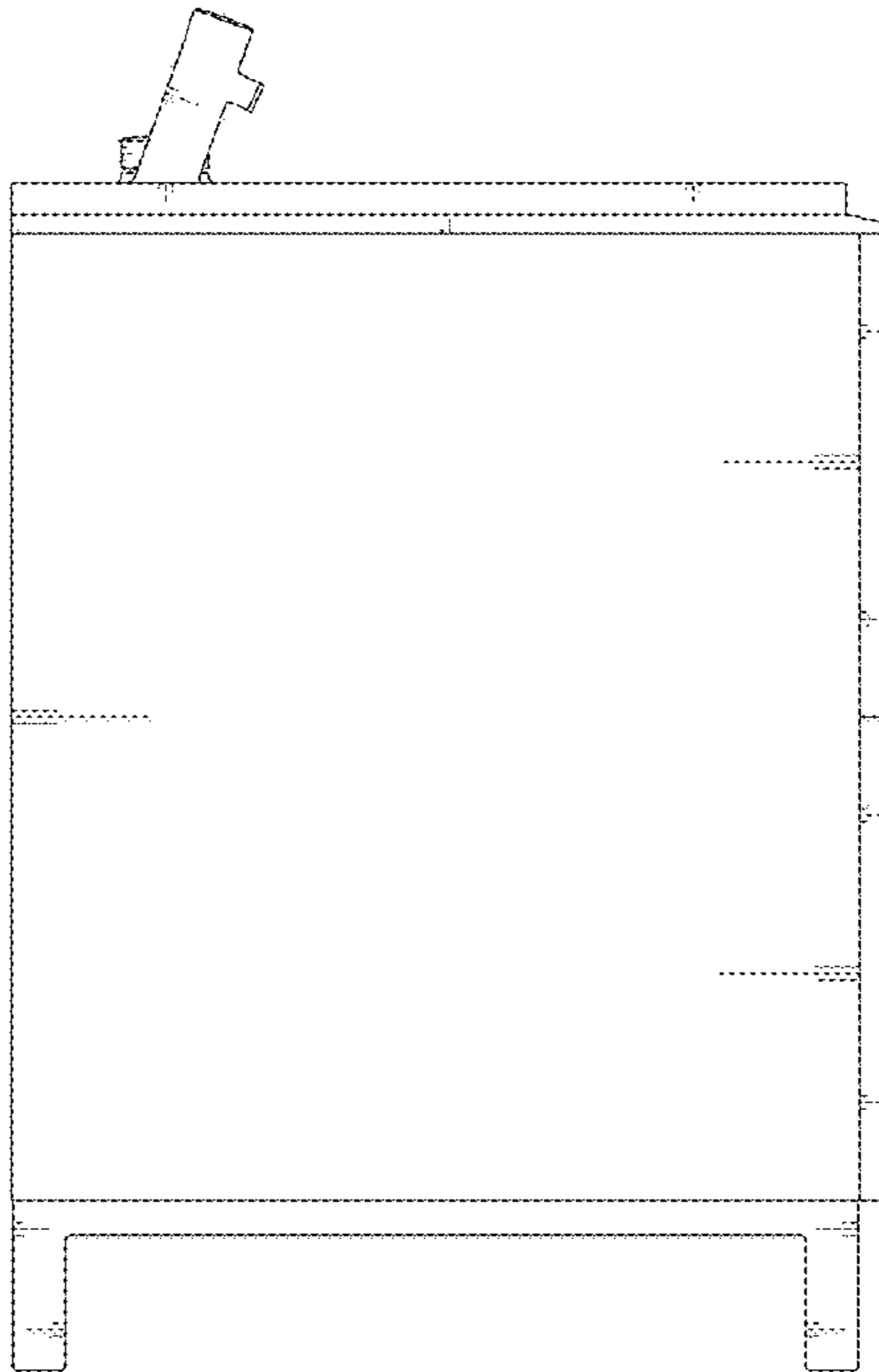
1. 2



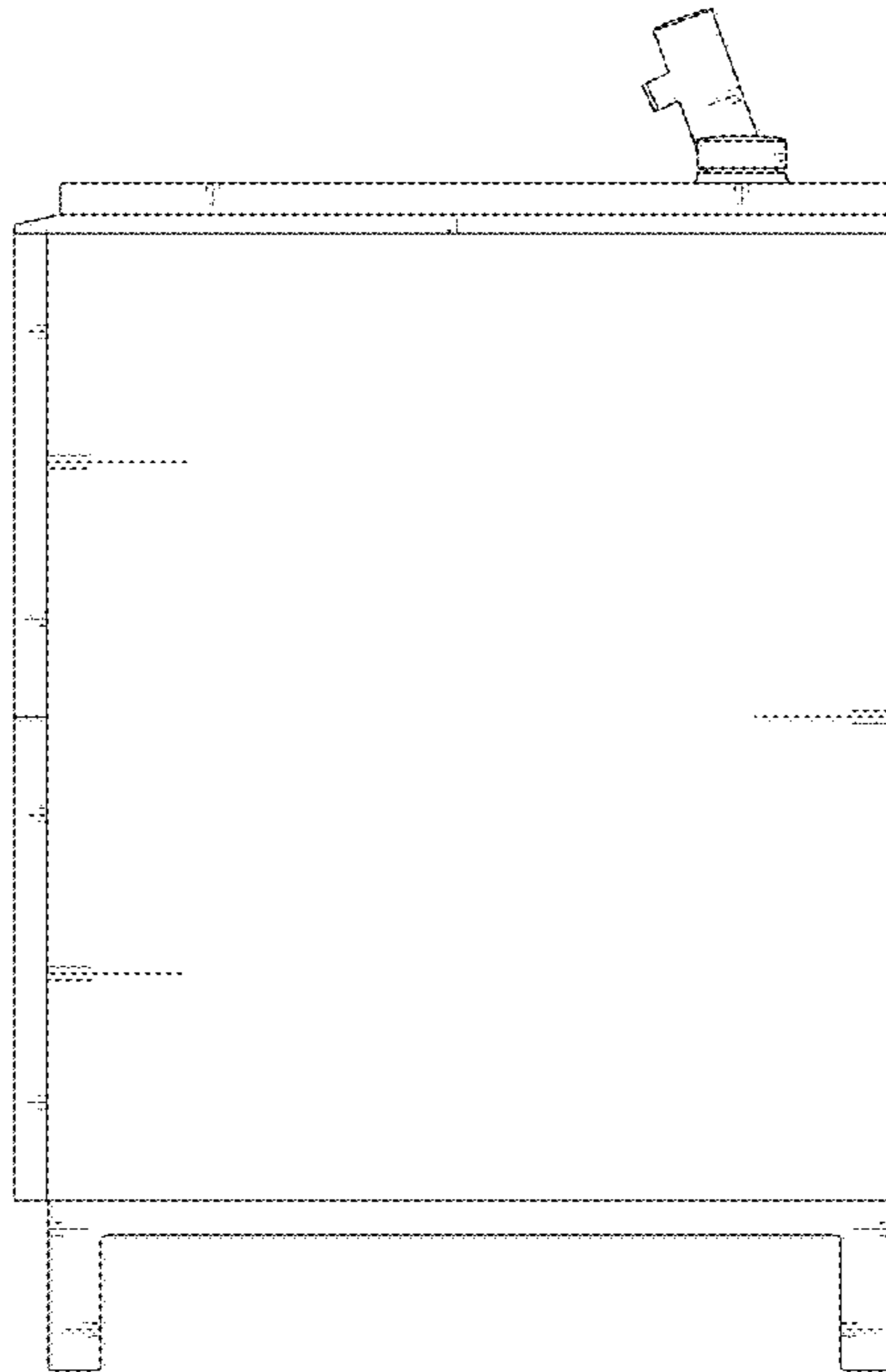
1. 3



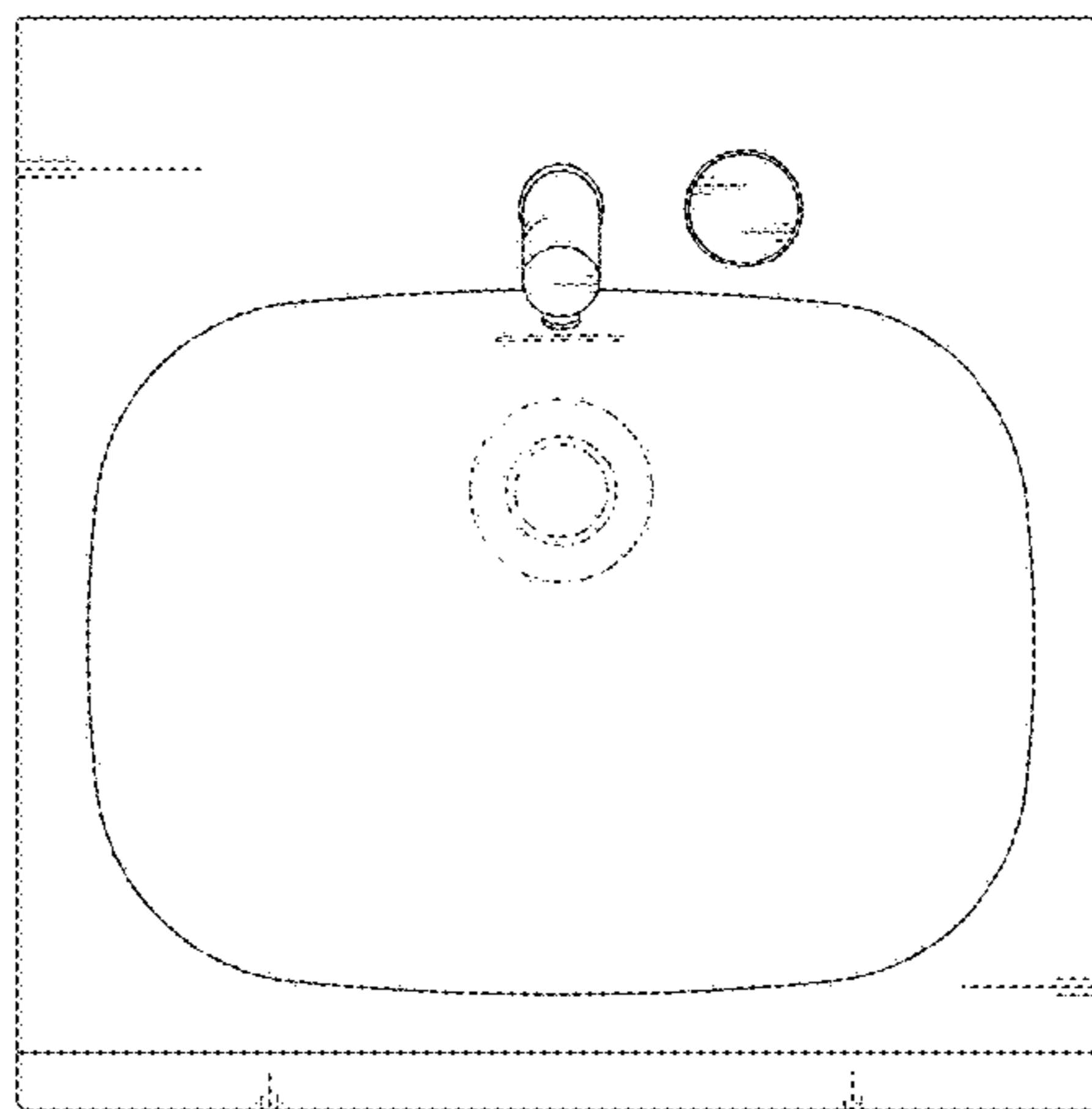
1. 4



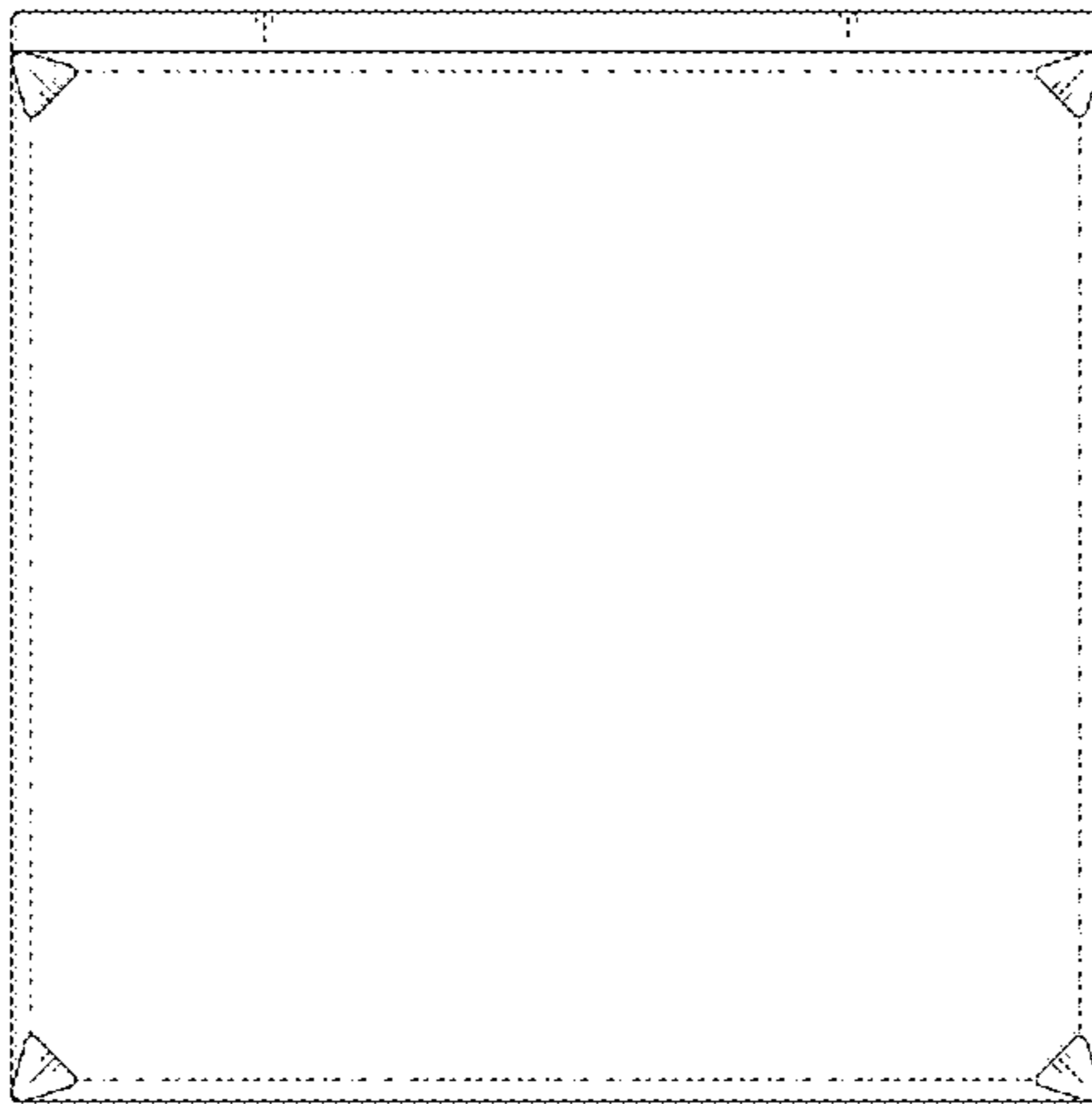
1. 5



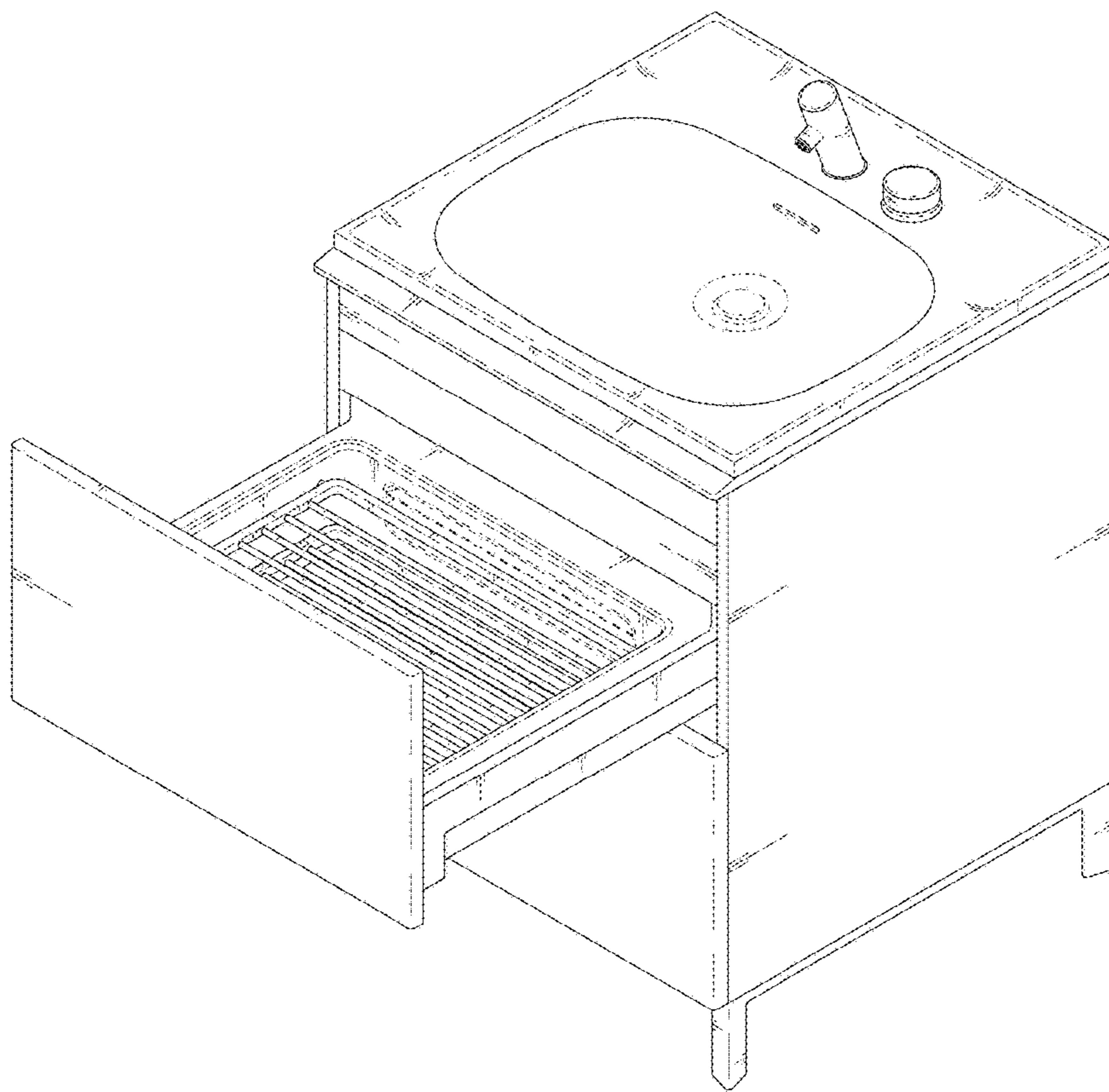
1. 6



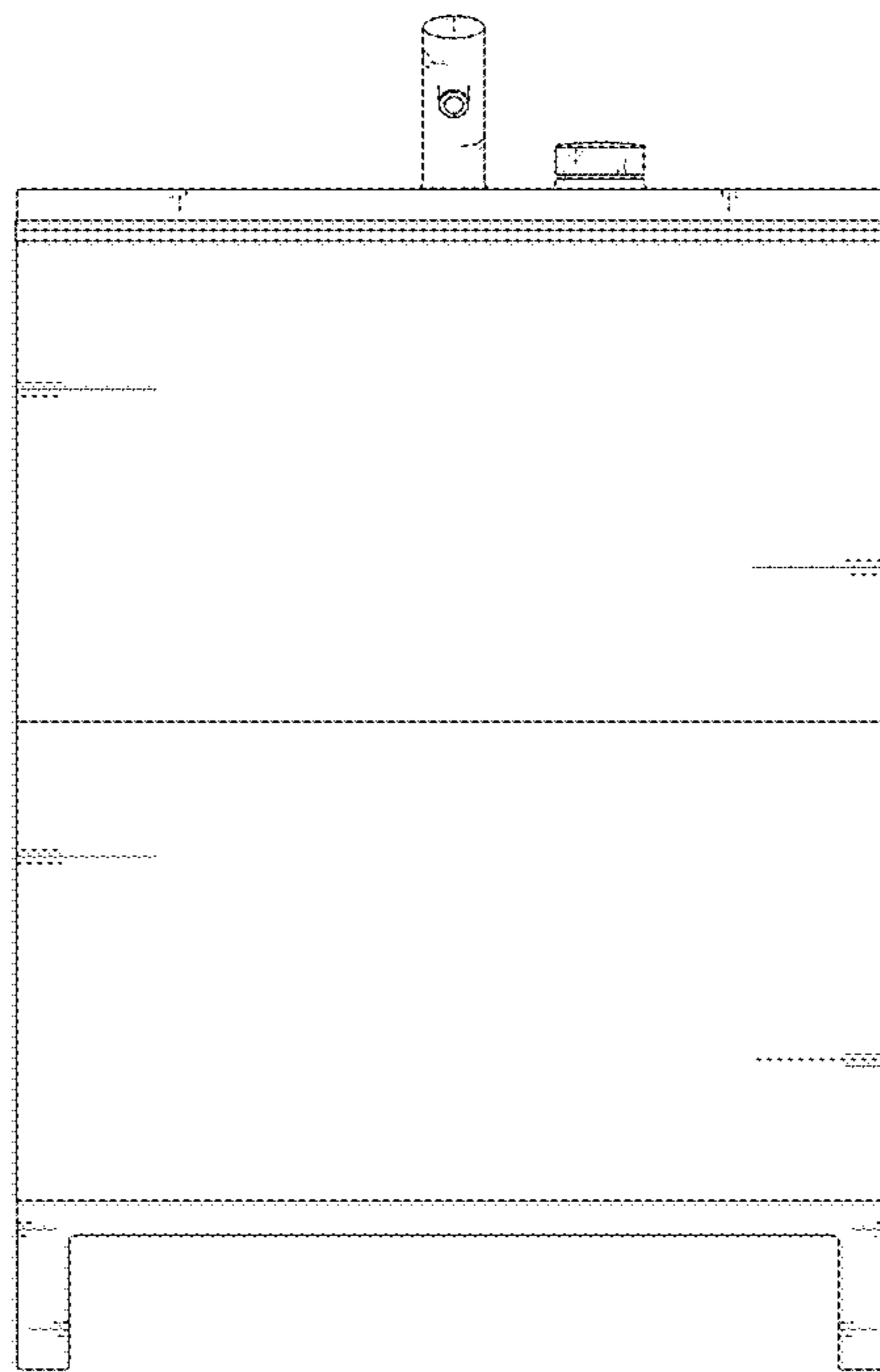
1. 7



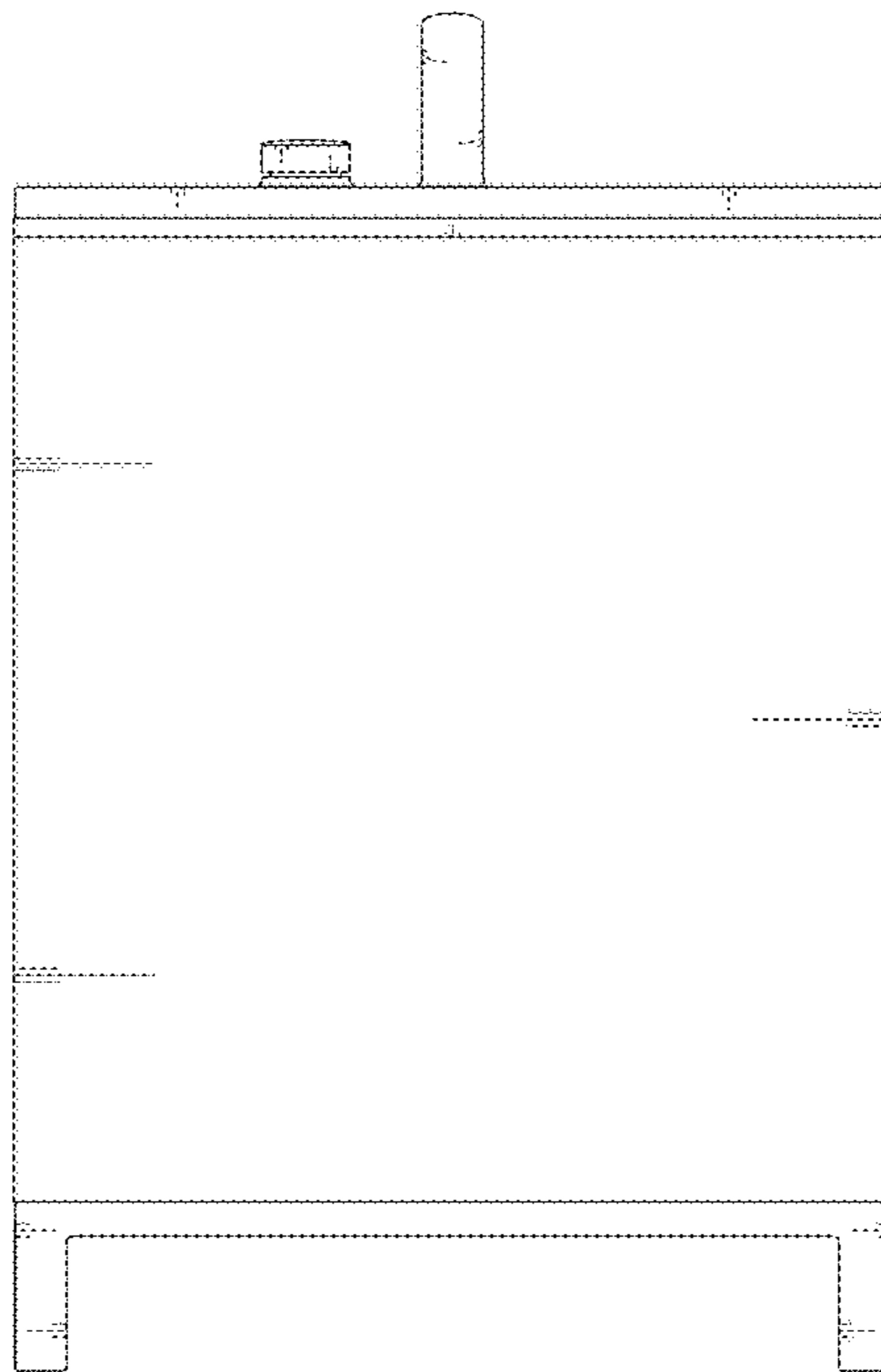
1. 8



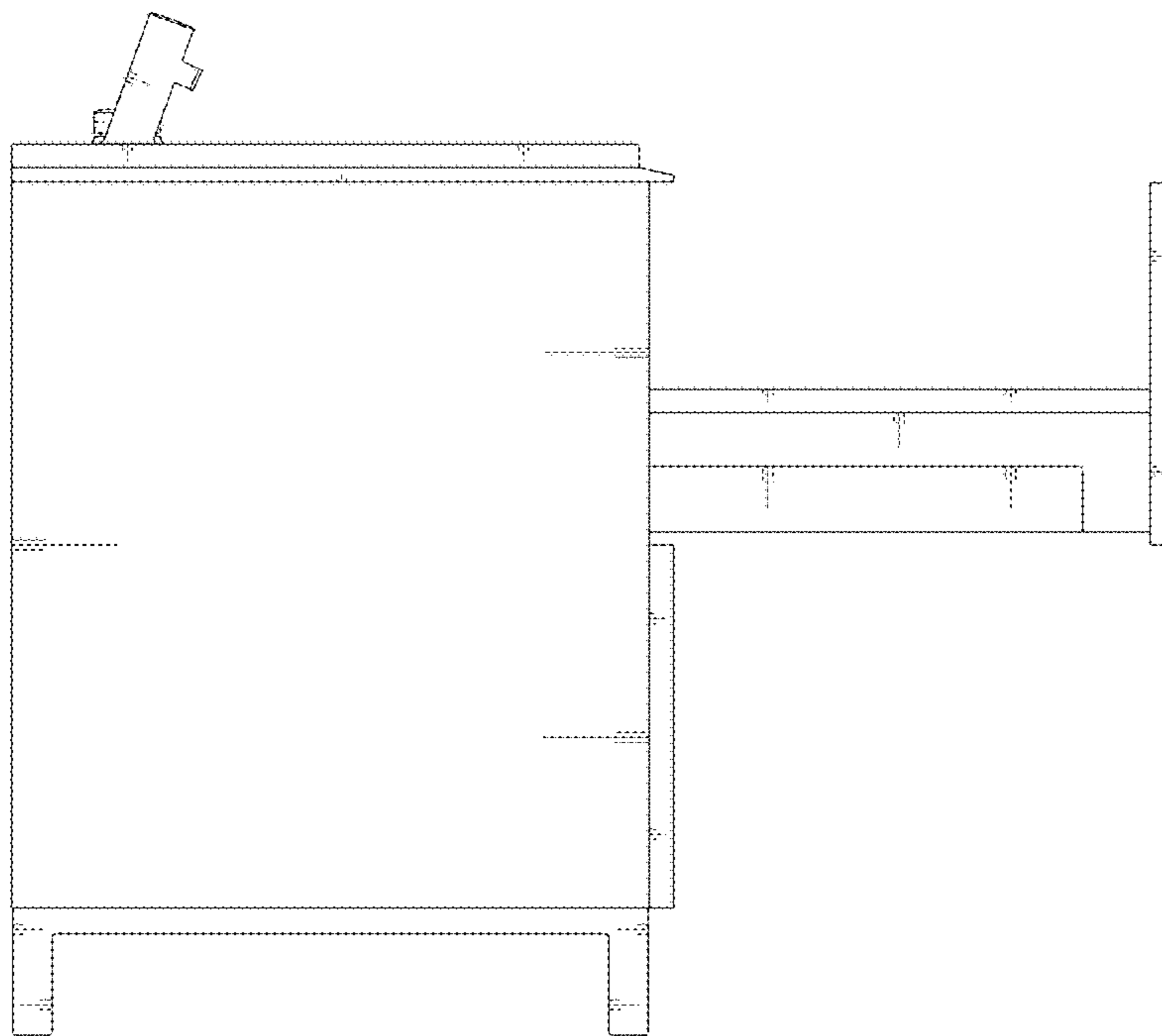
1. 9



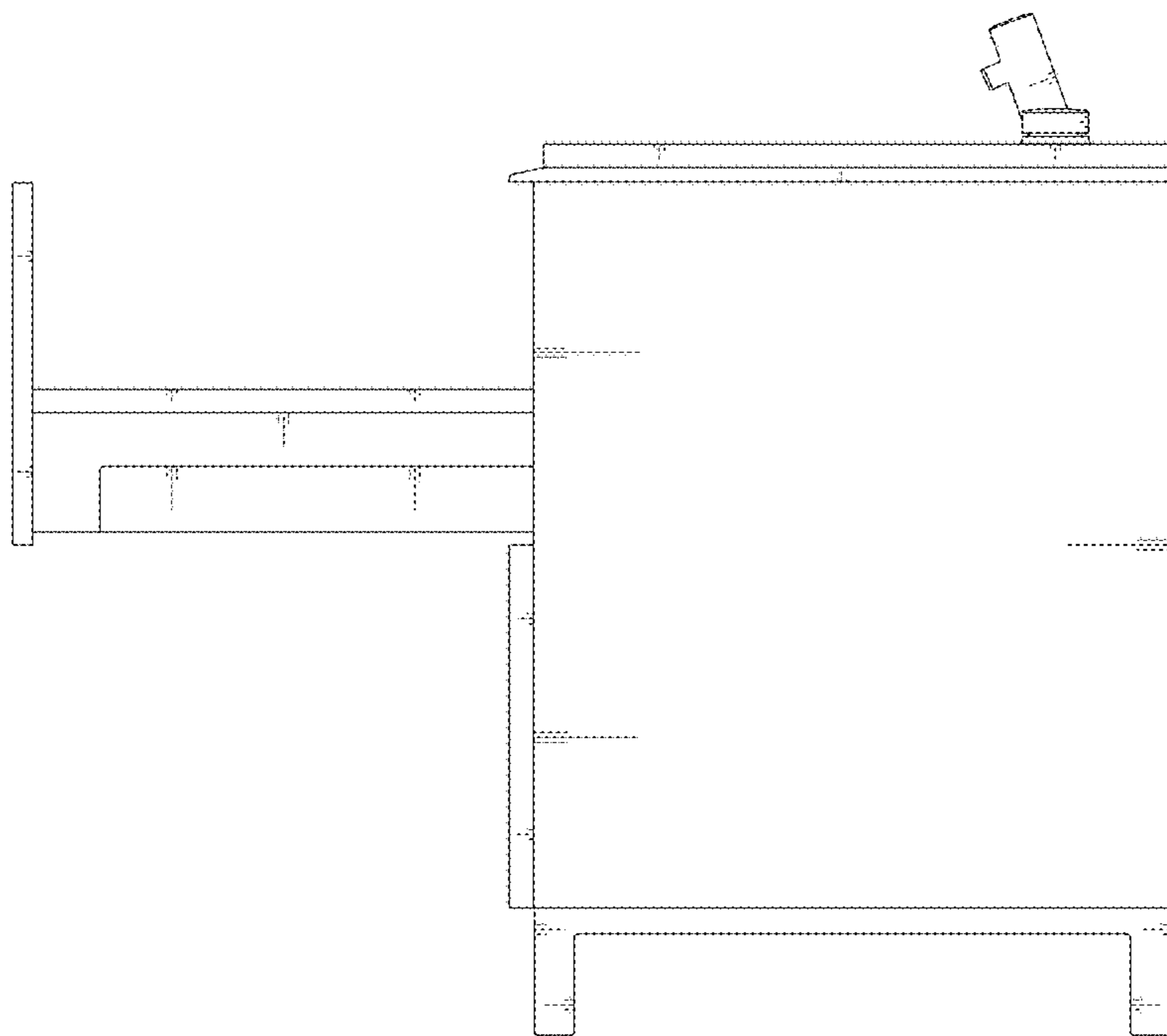
1. 10



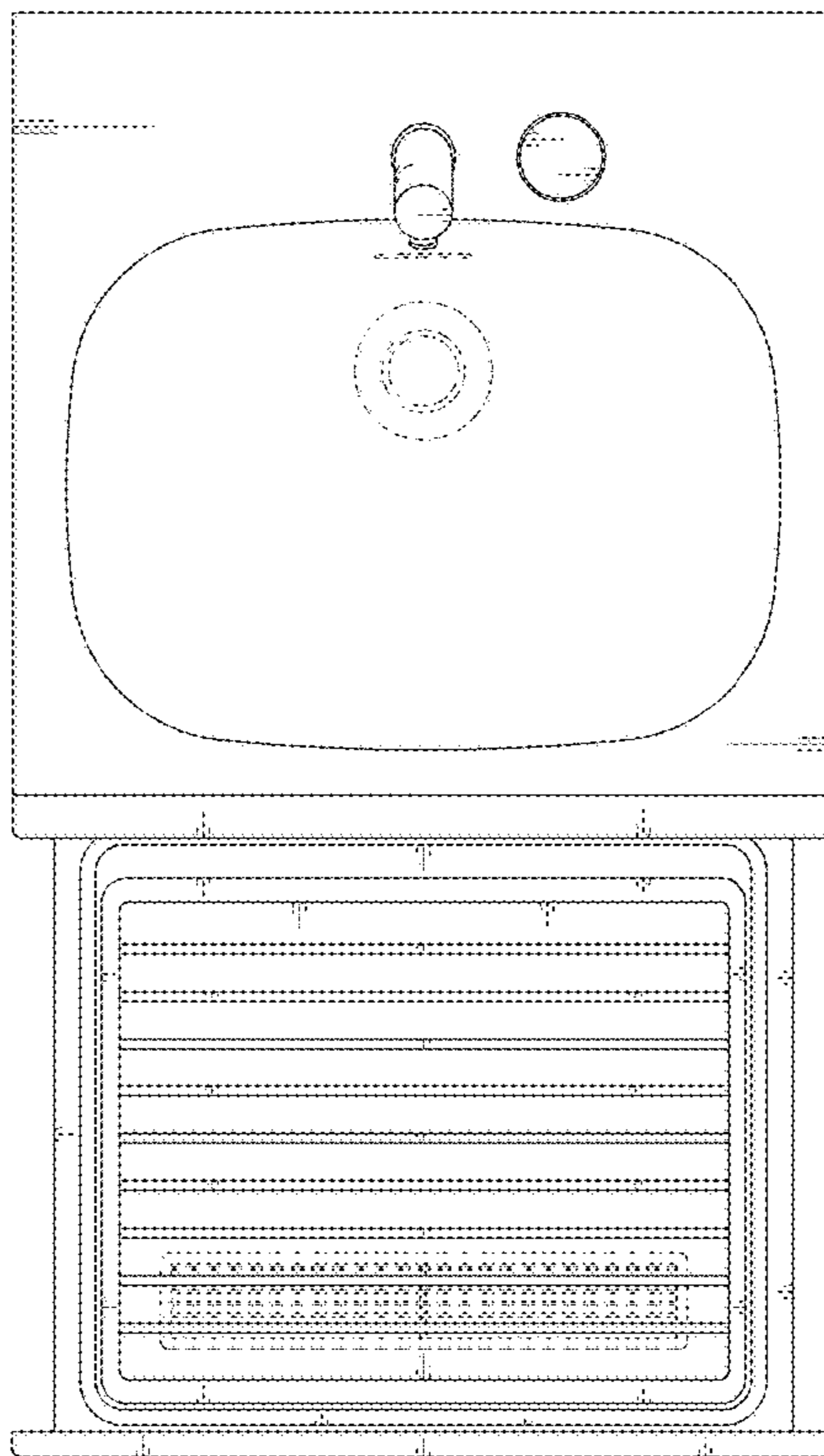
1. 11



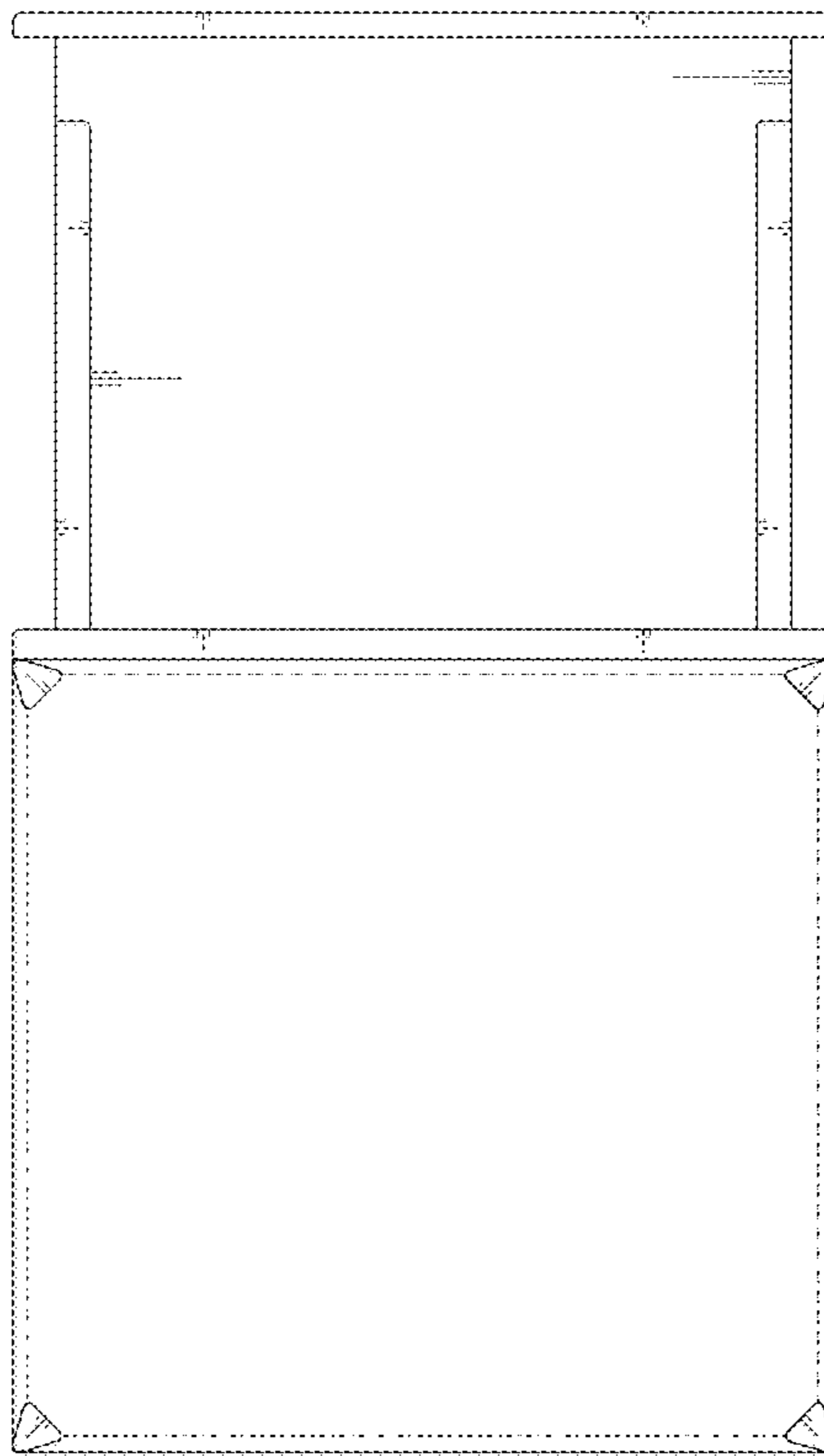
1. 12



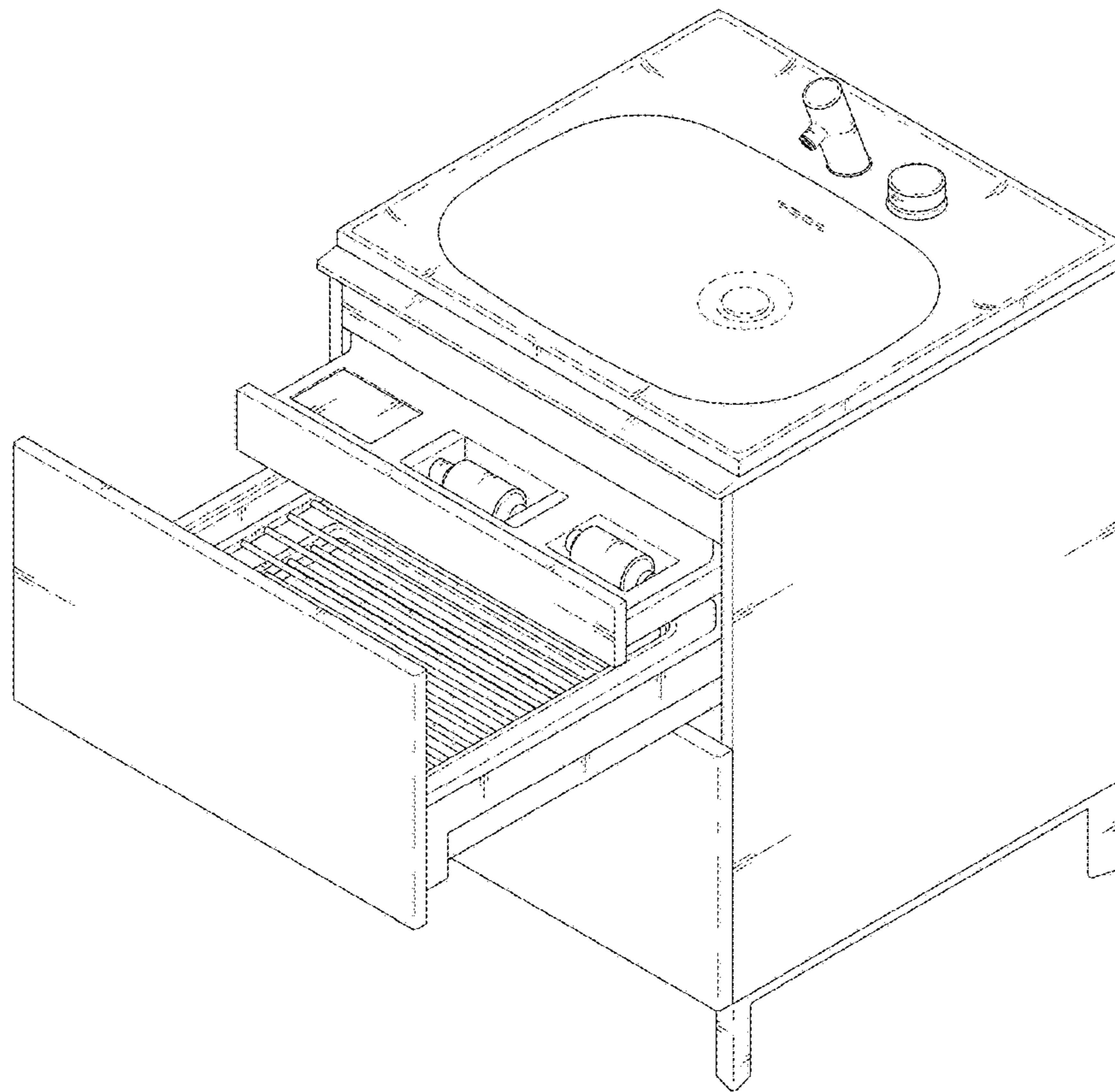
1. 13



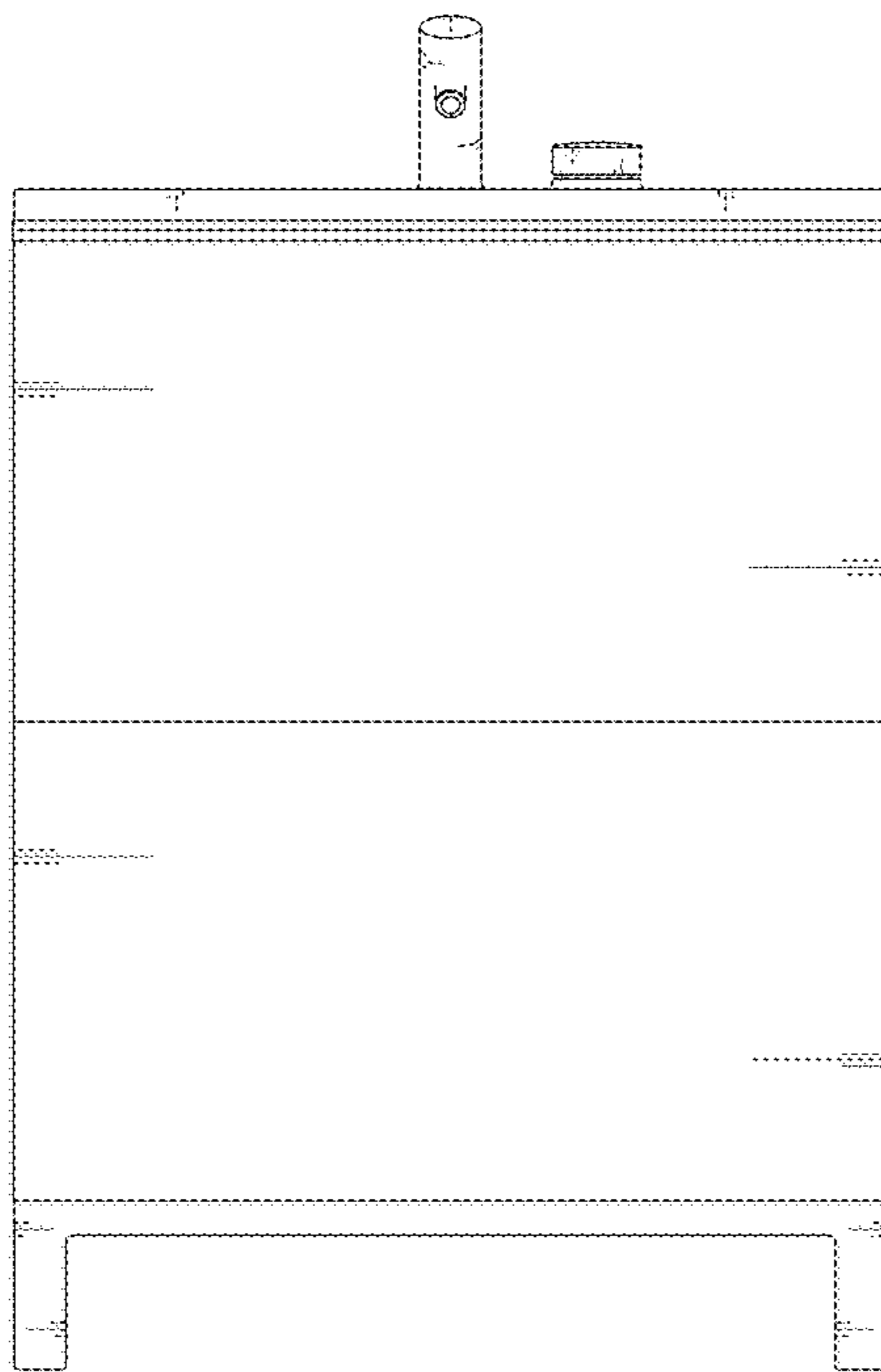
1. 14



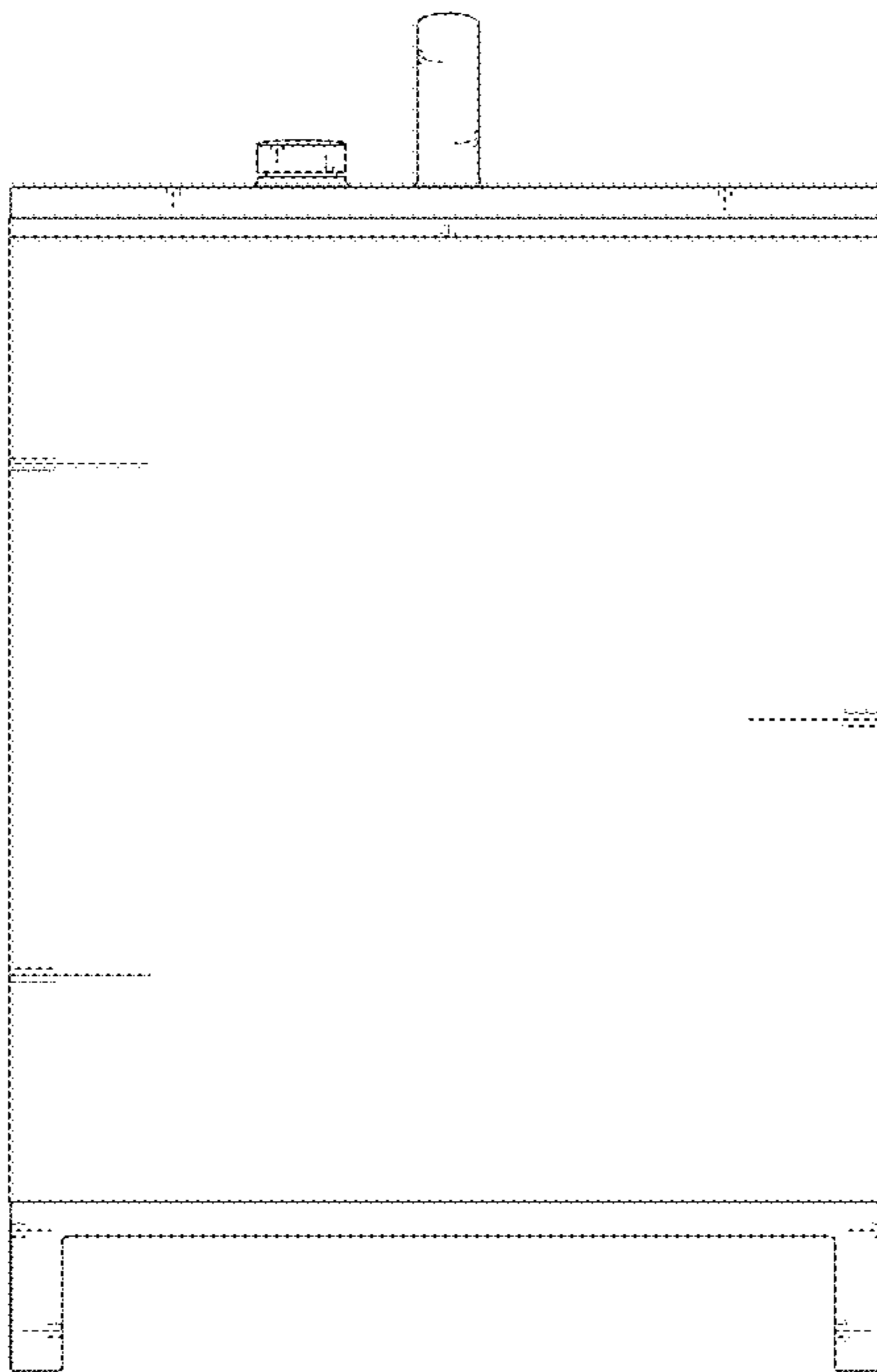
1. 15



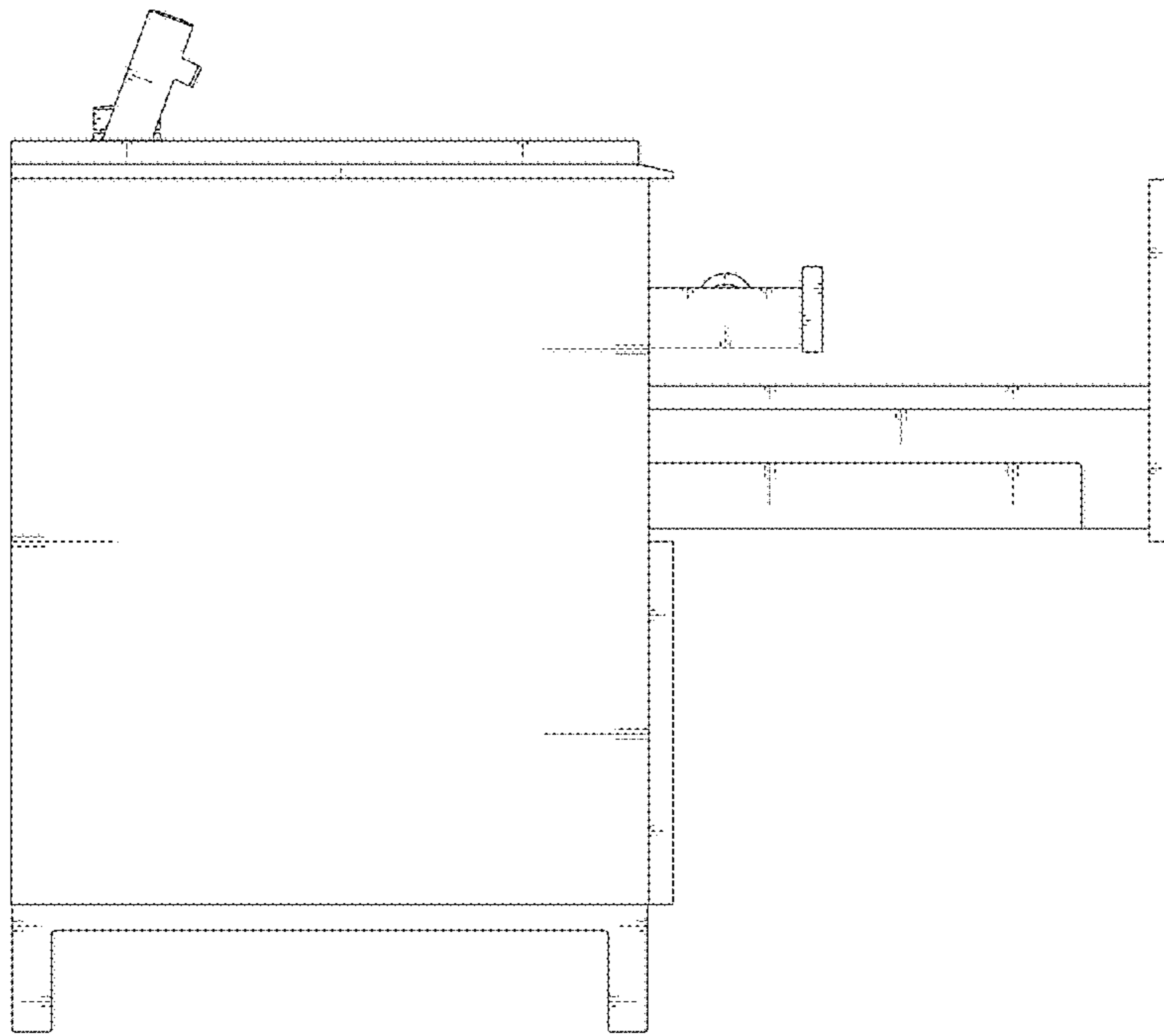
1. 16



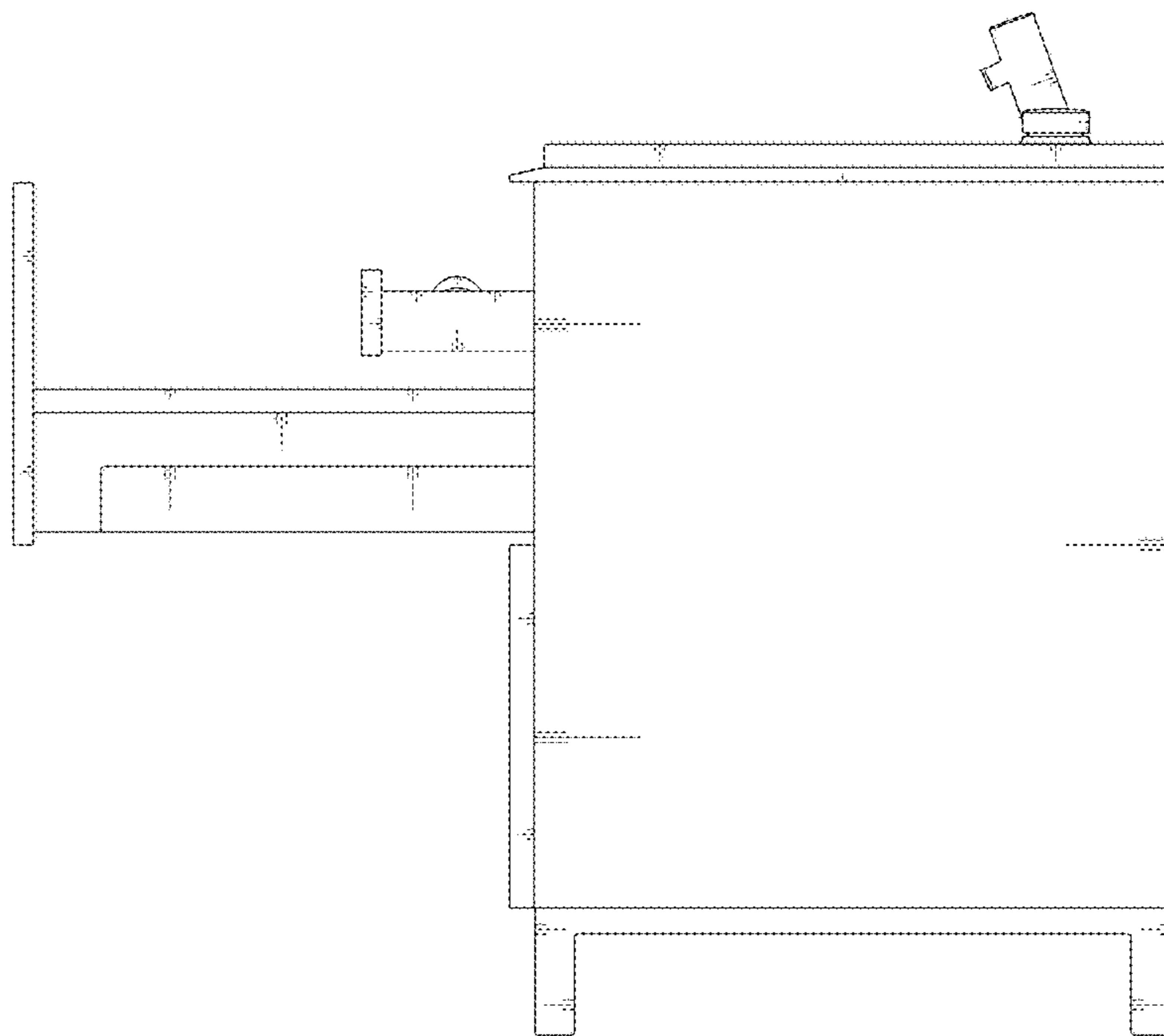
1. 17



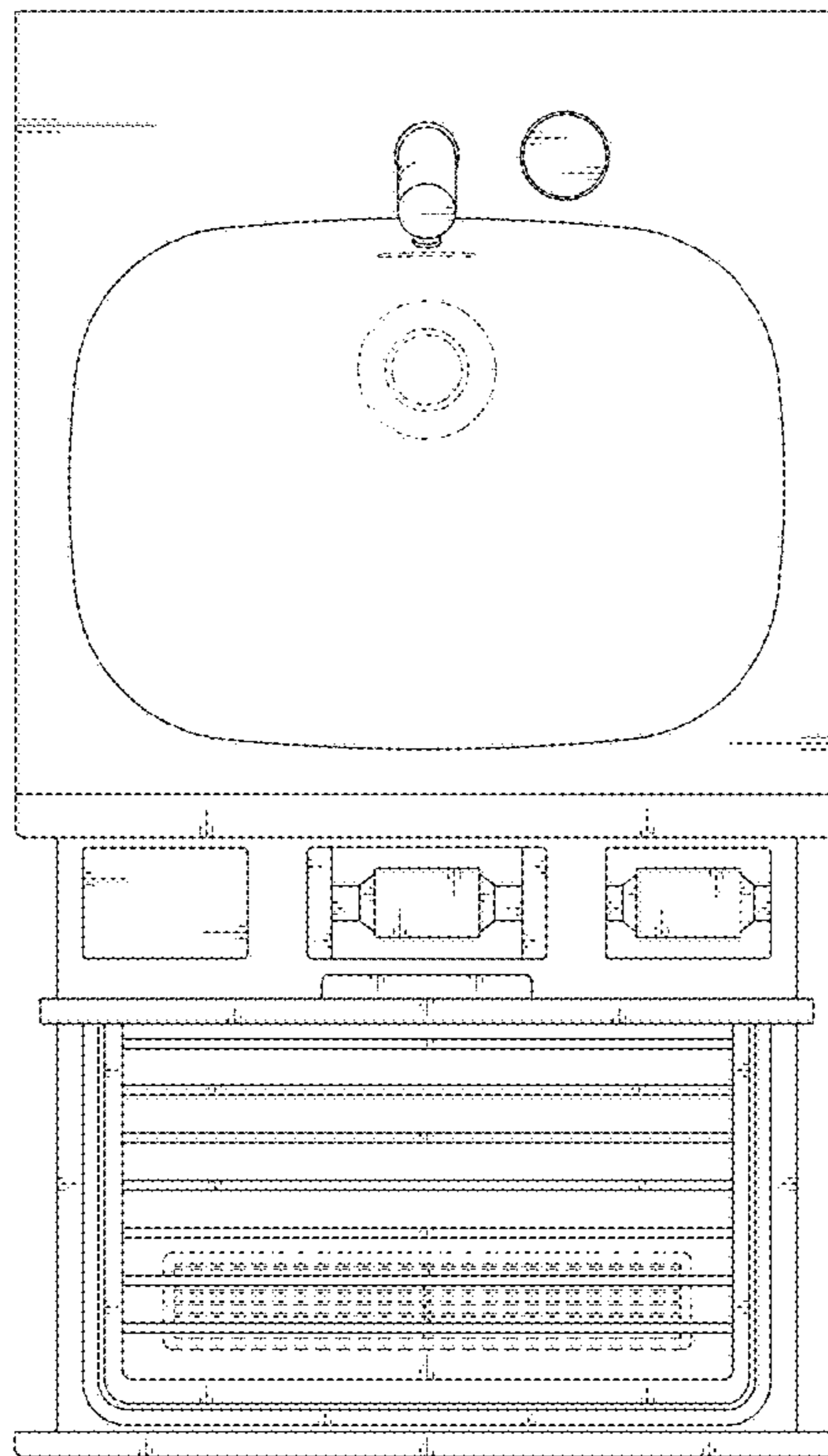
1. 18



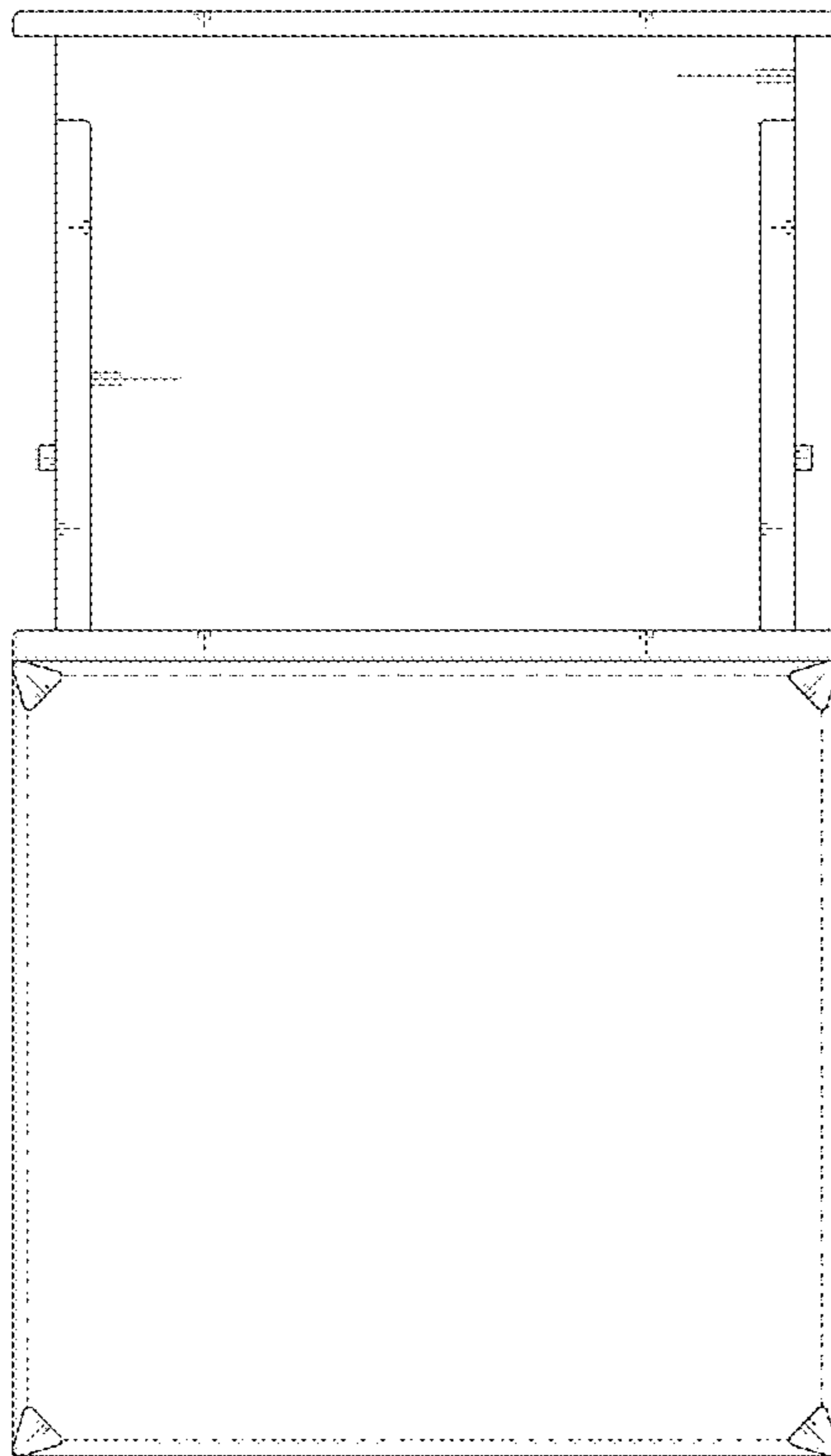
1. 19



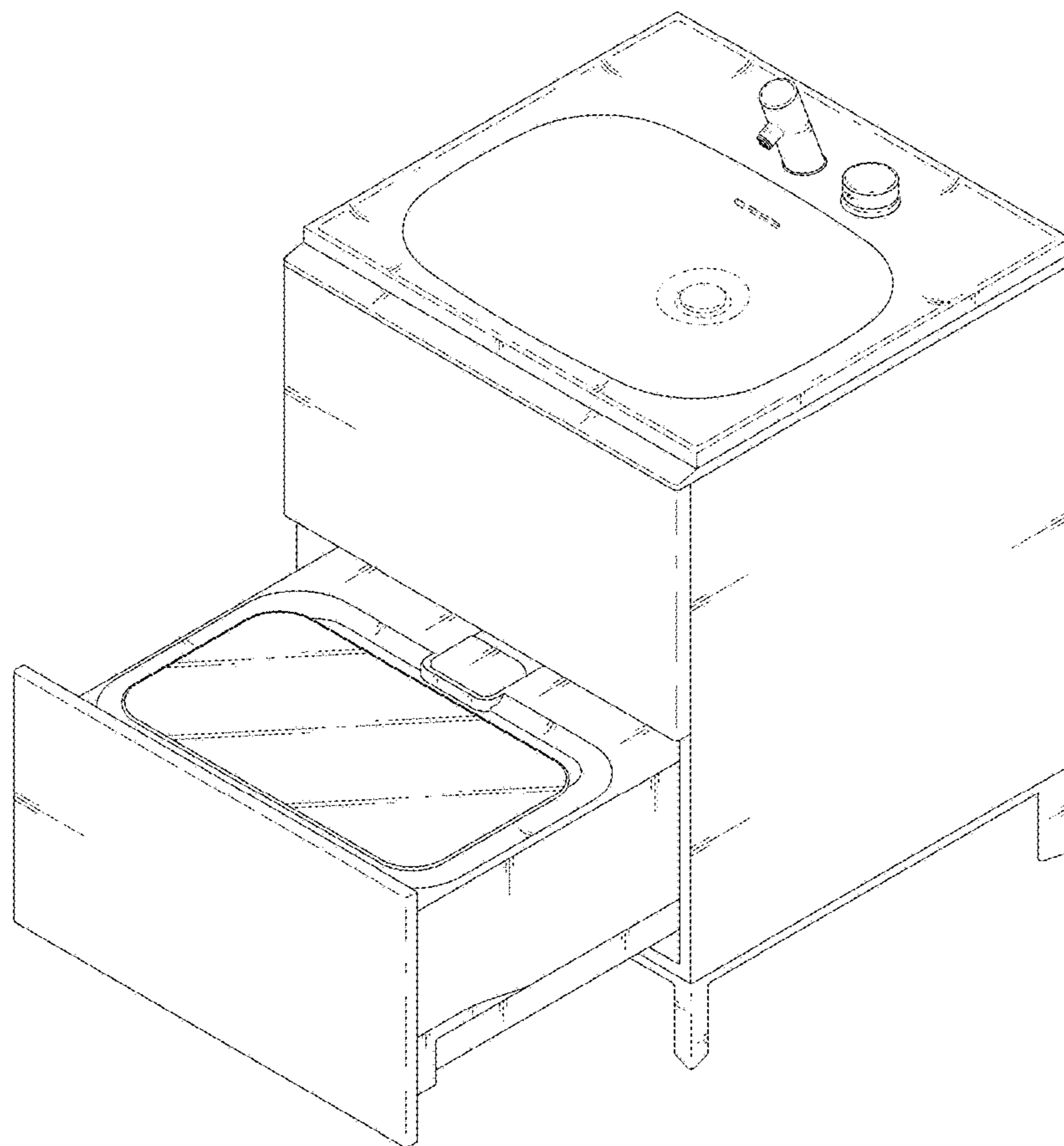
1. 20



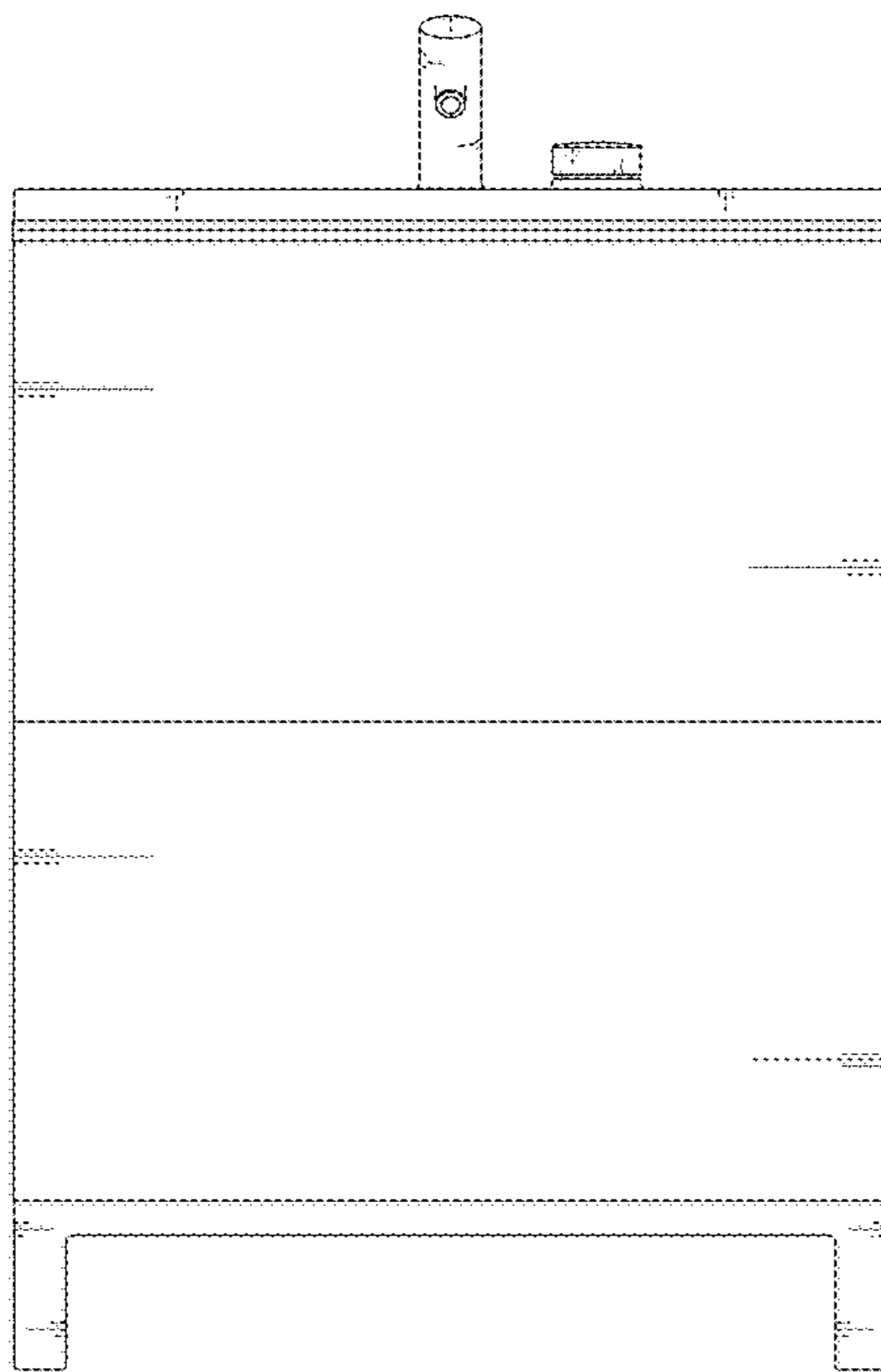
1. 21



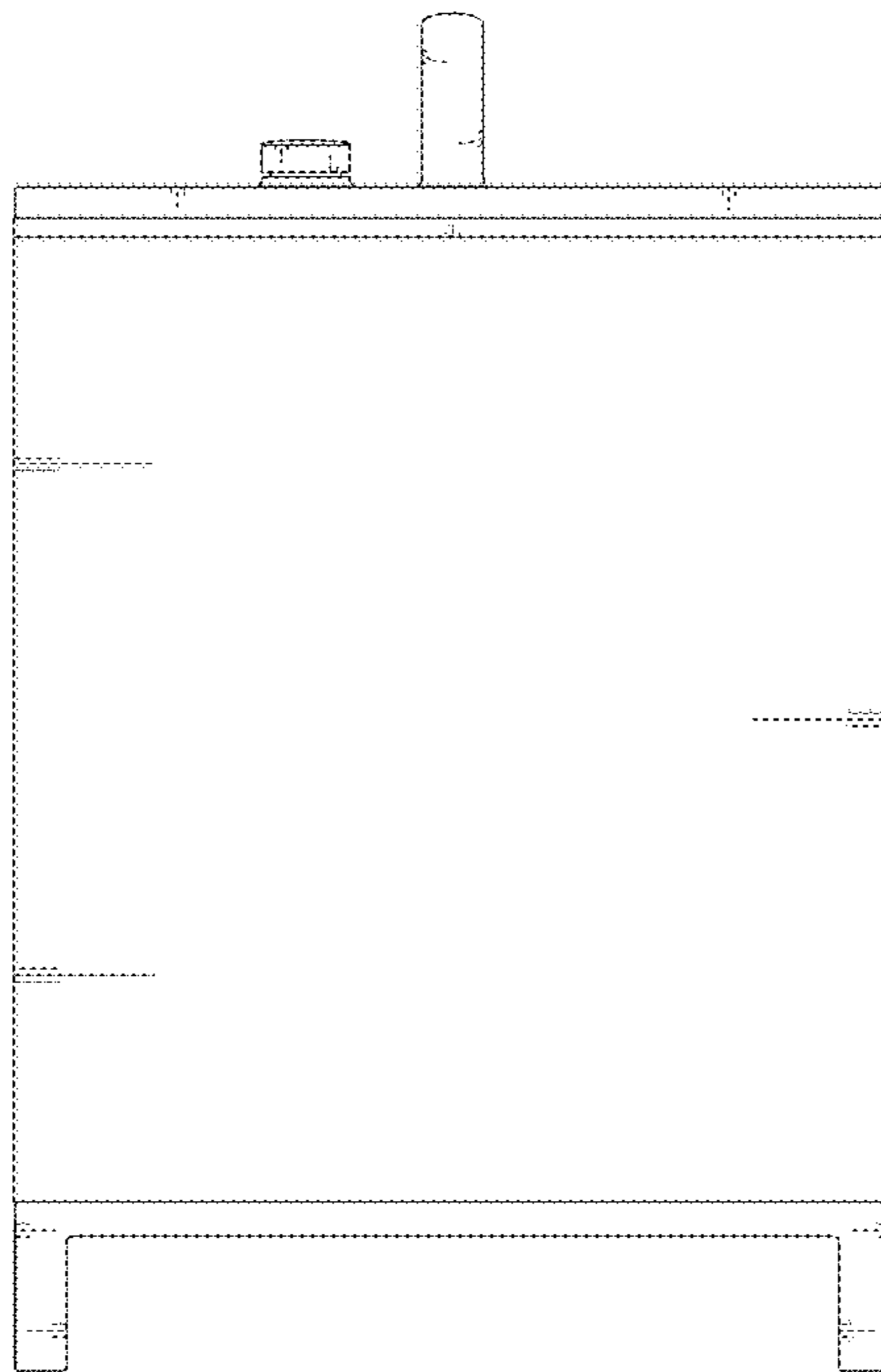
1. 22



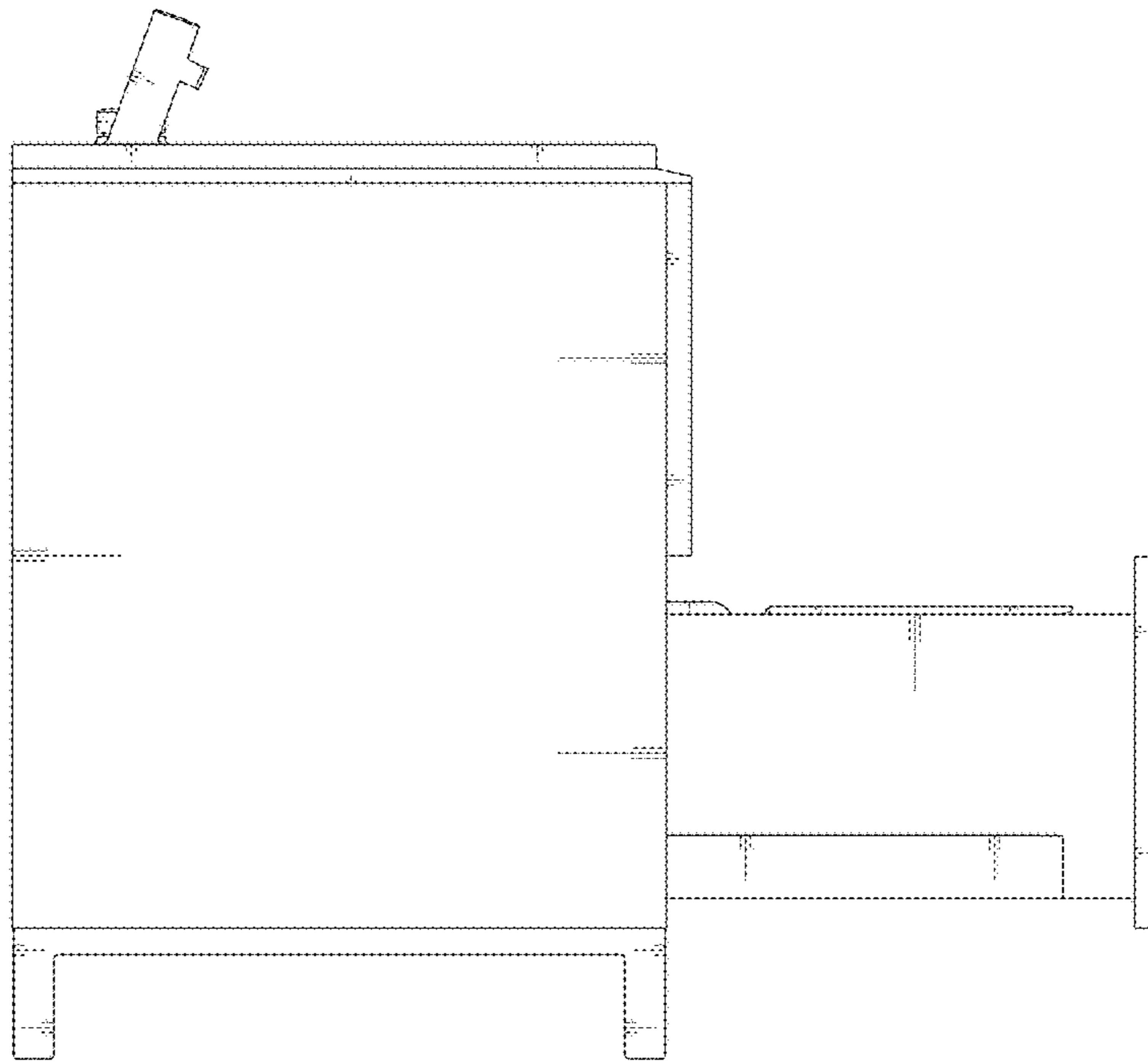
1. 23



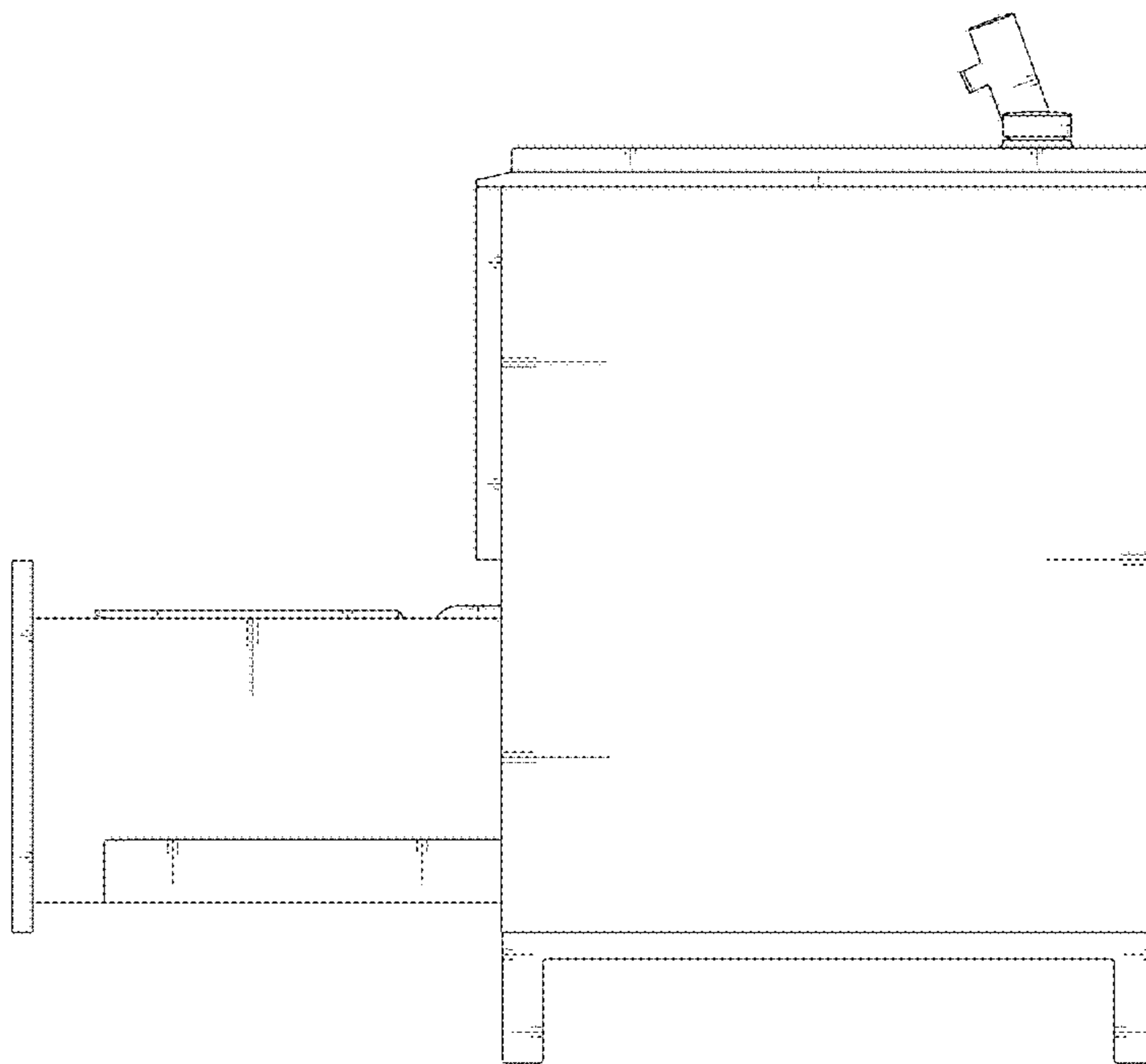
1. 24



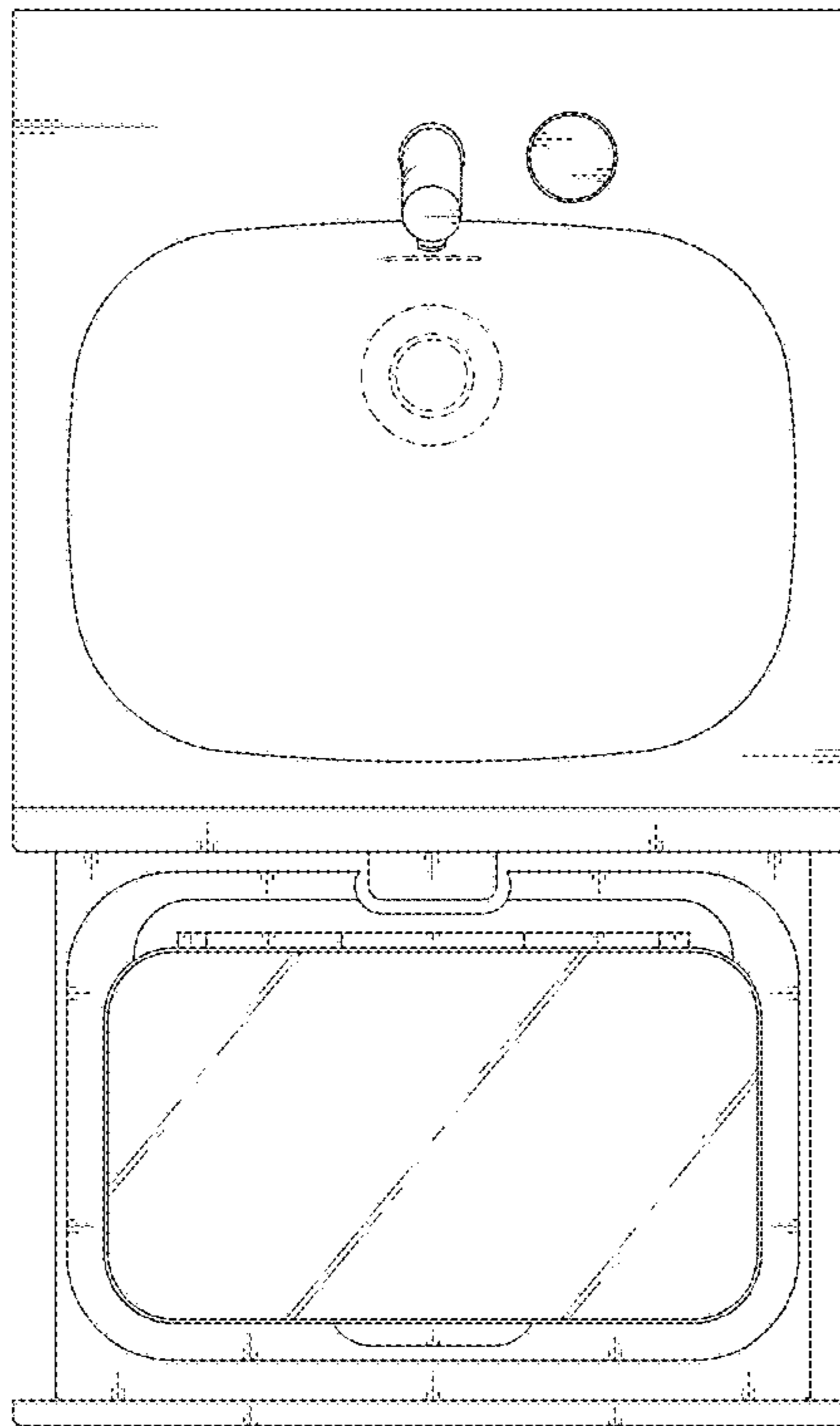
1. 25



1. 26



1. 27



1. 28

