



US00D862011S

(12) **United States Design Patent**
Kim et al.

(10) **Patent No.:** **US D862,011 S**
(45) **Date of Patent:** **** Oct. 1, 2019**

(54) **VACUUM CLEANER**

FOREIGN PATENT DOCUMENTS

(71) Applicant: **Samsung Electronics Co., Ltd.**,
Suwon-si (KR)

EM 003404540-0001 11/2016
KR 30-2016-0032988 7/2017
KR 30-2016-0044028 7/2017

(72) Inventors: **Yeon-Su Kim**, Seoul (KR); **Jae-Won Choi**, Seoul (KR); **Seung-Wook Suh**, Goyang-si (KR); **Jae-Ho Jang**, Seoul (KR)

Primary Examiner — Ruth McInroy
(74) *Attorney, Agent, or Firm* — NSIP Law

(73) Assignee: **Samsung Electronics Co., Ltd.**,
Suwon-si (KR)

(57) **CLAIM**

We claim the ornamental design for a vacuum cleaner, as shown and described.

(**) Term: **15 Years**

DESCRIPTION

(21) Appl. No.: **29/636,442**

(22) Filed: **Feb. 8, 2018**

(30) **Foreign Application Priority Data**

Aug. 9, 2017 (KR) 30-2017-0037042

(51) **LOC (12) Cl.** **15-05**

(52) **U.S. Cl.**
USPC **D32/22**

(58) **Field of Classification Search**
USPC D32/17-18, 22, 31, 34
CPC A47L 5/24; A47L 5/26; A47L 5/28; A47L 9/322; A47L 9/325; A47L 9/327; A47L 11/4075

See application file for complete search history.

(56) **References Cited**

U.S. PATENT DOCUMENTS

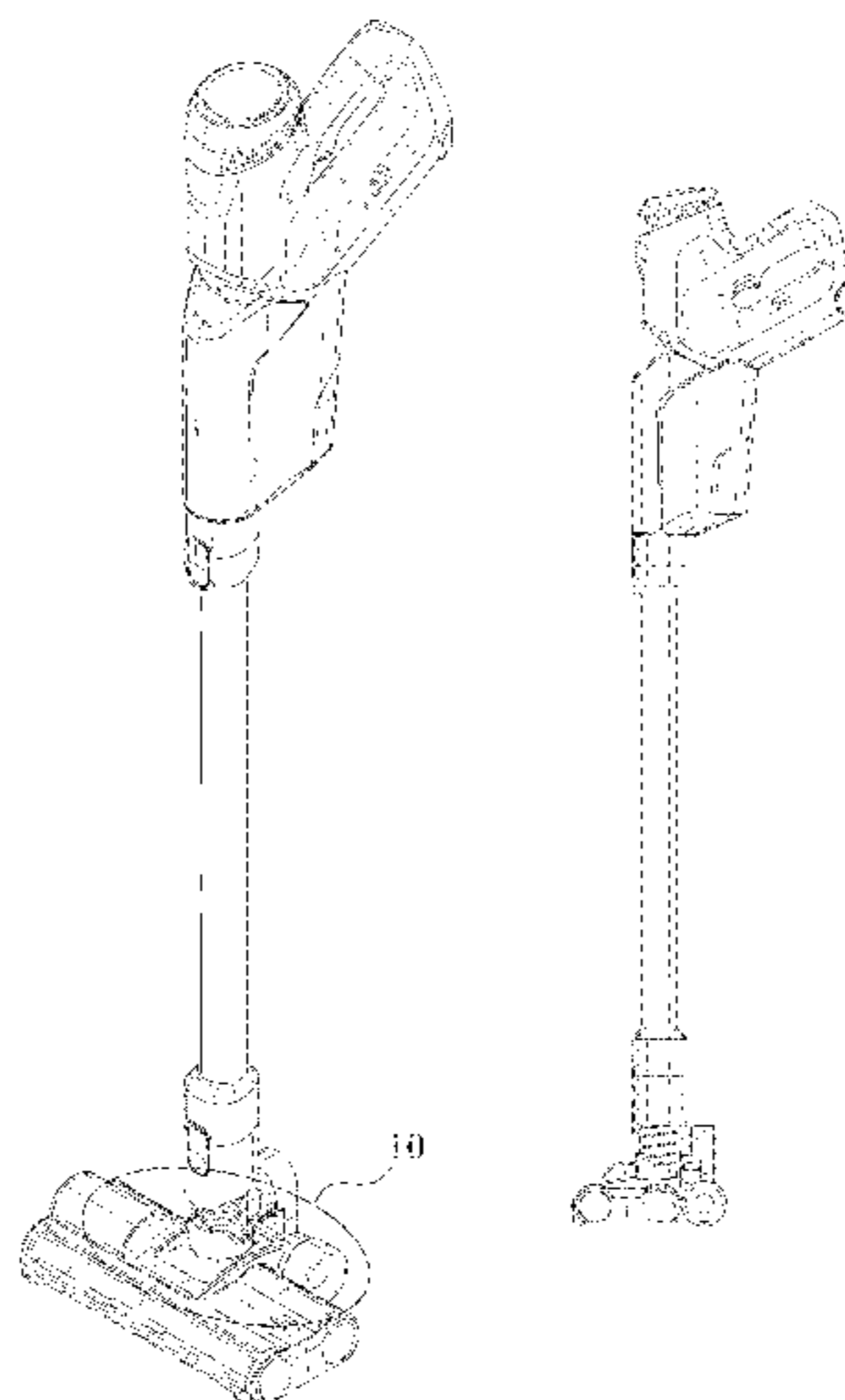
D290,894 S * 7/1987 Miyamoto D32/18
D635,728 S * 4/2011 Fjellman D32/22
D653,825 S * 2/2012 Cho D32/22
D668,010 S * 9/2012 Stickney D32/18
D682,496 S * 5/2013 Bassett D32/22

(Continued)

FIG. 1 is a front perspective view of a vacuum cleaner showing our new design;
FIG. 2 is a front view thereof;
FIG. 3 is a rear view thereof;
FIG. 4 is a left-side view thereof;
FIG. 5 is a right-side view thereof;
FIG. 6 is a top view thereof;
FIG. 7 is a bottom view thereof;
FIG. 8 is a rear perspective view thereof;
FIG. 9 is a left-side view of the vacuum cleaner shown in an alternate position;
FIG. 10 is an enlarged view of the encircled portion in FIG. 1;
FIG. 11 is an enlarged view of the encircled portion in FIG. 2;
FIG. 12 is an enlarged view of the encircled portion in FIG. 2;
FIG. 13 is an enlarged view of the encircled portion in FIG. 3;
FIG. 14 is an enlarged view of the encircled portion in FIG. 4; and,
FIG. 15 is an enlarged view of the encircled portion in FIG. 6.

The broken lines in the figures show portions of the vacuum cleaner which form no part of the claimed design.
The dot-dash broken lines encircling portions of the claimed design that are illustrated in enlargements form no part of the claimed design.

1 Claim, 15 Drawing Sheets



(56)

References Cited

U.S. PATENT DOCUMENTS

D731,130	S	*	6/2015	Dyson	D32/18
D738,584	S	*	9/2015	Niedzwecki	D32/18
D771,890	S		11/2016	Kim		
D772,510	S	*	11/2016	Palladino	D32/31
D774,260	S	*	12/2016	Manning	D32/22
D775,772	S	*	1/2017	Lee	D32/31
D792,667	S	*	7/2017	Genoa	D32/22
D798,009	S	*	9/2017	Salagnac	D32/18
D799,767	S	*	10/2017	Palladino	D32/22
9,883,781	B2	*	2/2018	Thorne	A47L 9/16
D819,282	S	*	5/2018	Kim	D32/22
D824,616	S	*	7/2018	Ward	D32/22
10,080,471	B2	*	9/2018	Reimer	A47L 5/225
D830,016	S	*	10/2018	Lim	D32/22

* cited by examiner

FIG. 1

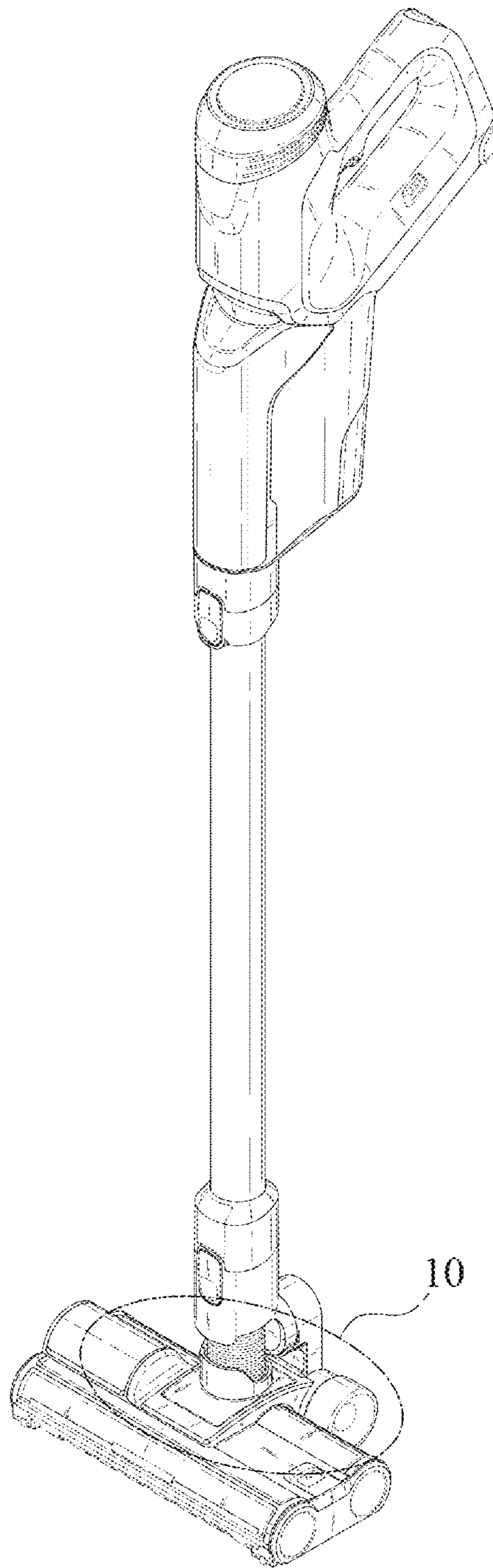


FIG. 2

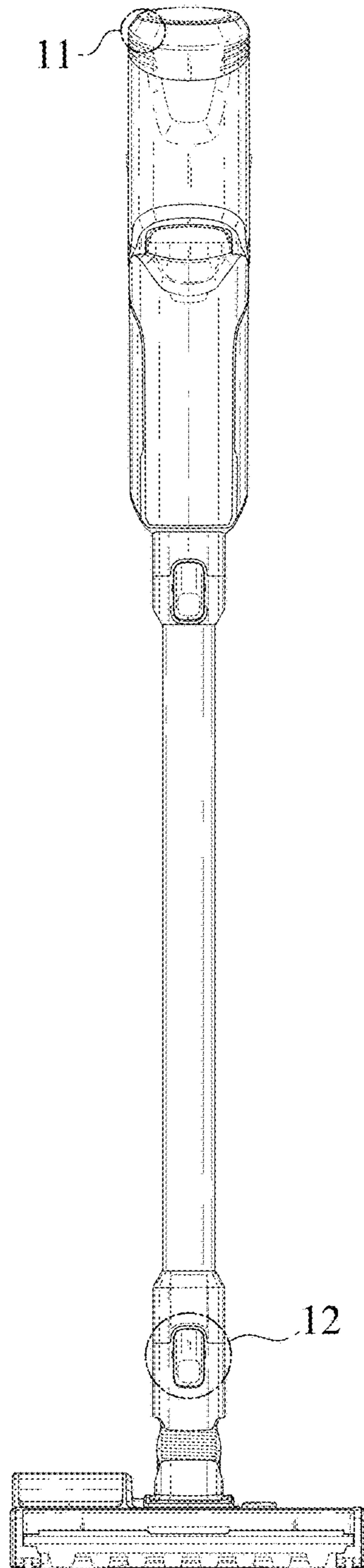


FIG. 3

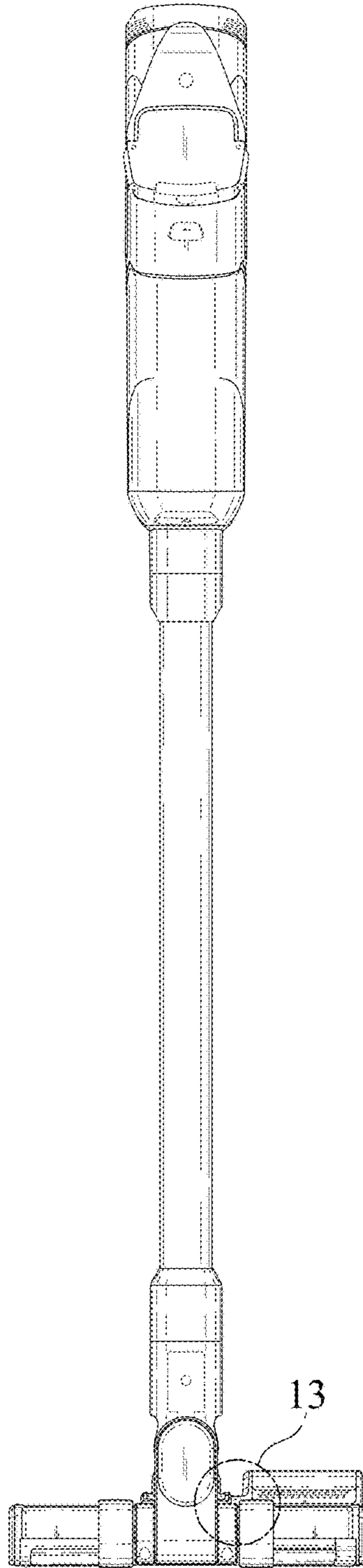


FIG. 4

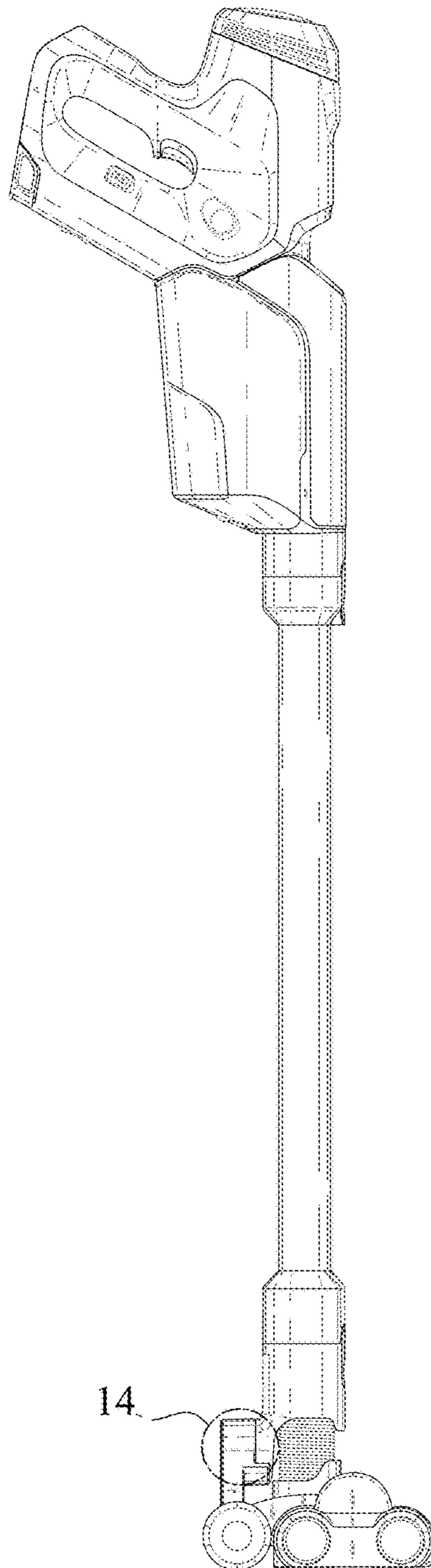


FIG. 5

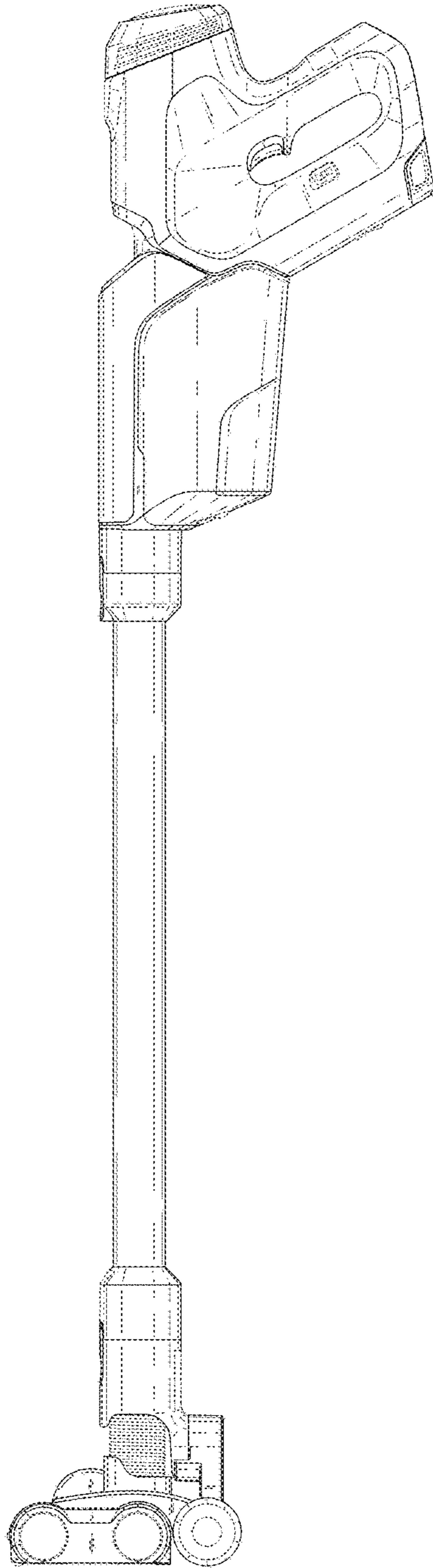


FIG. 6

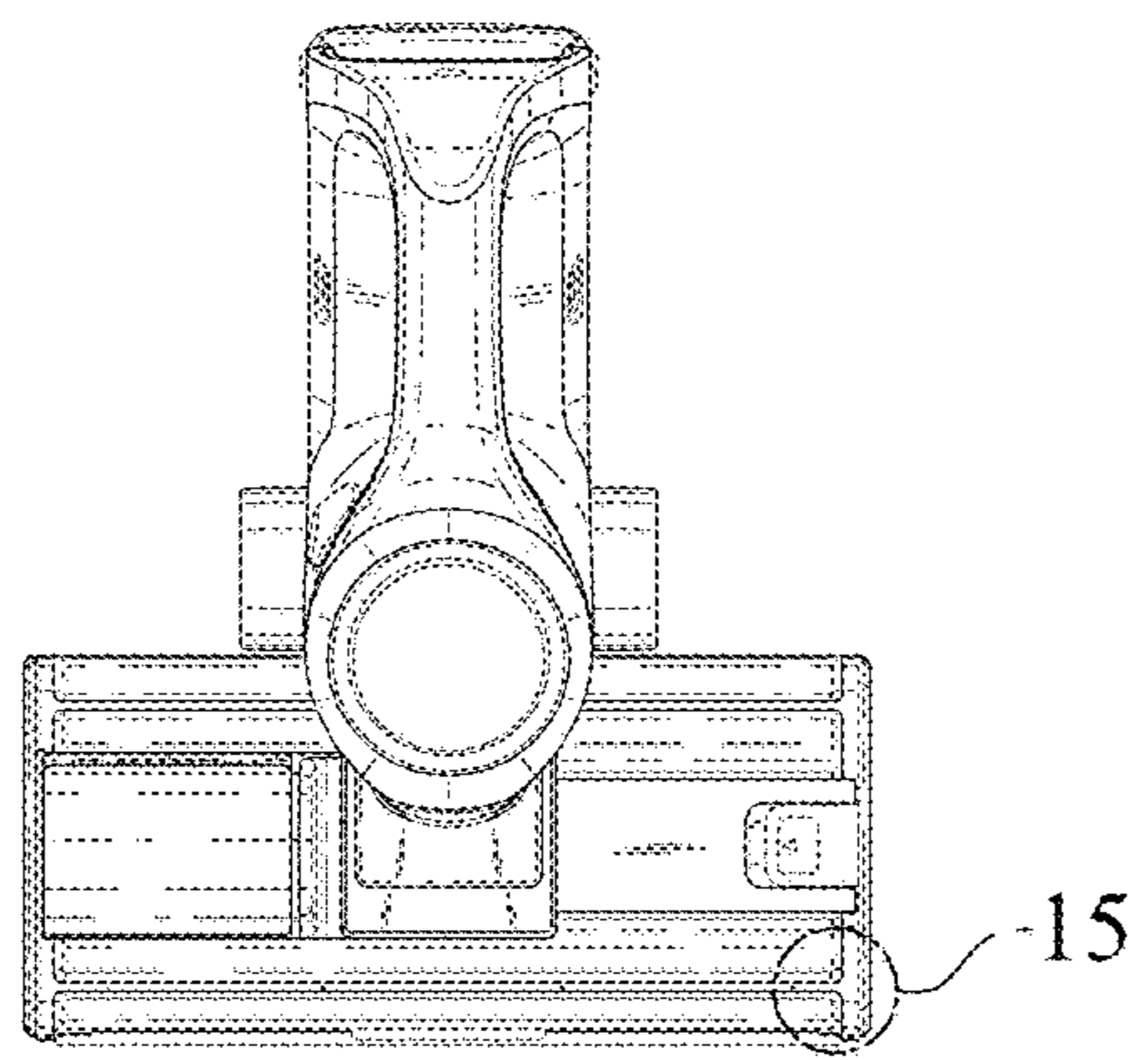


FIG. 7

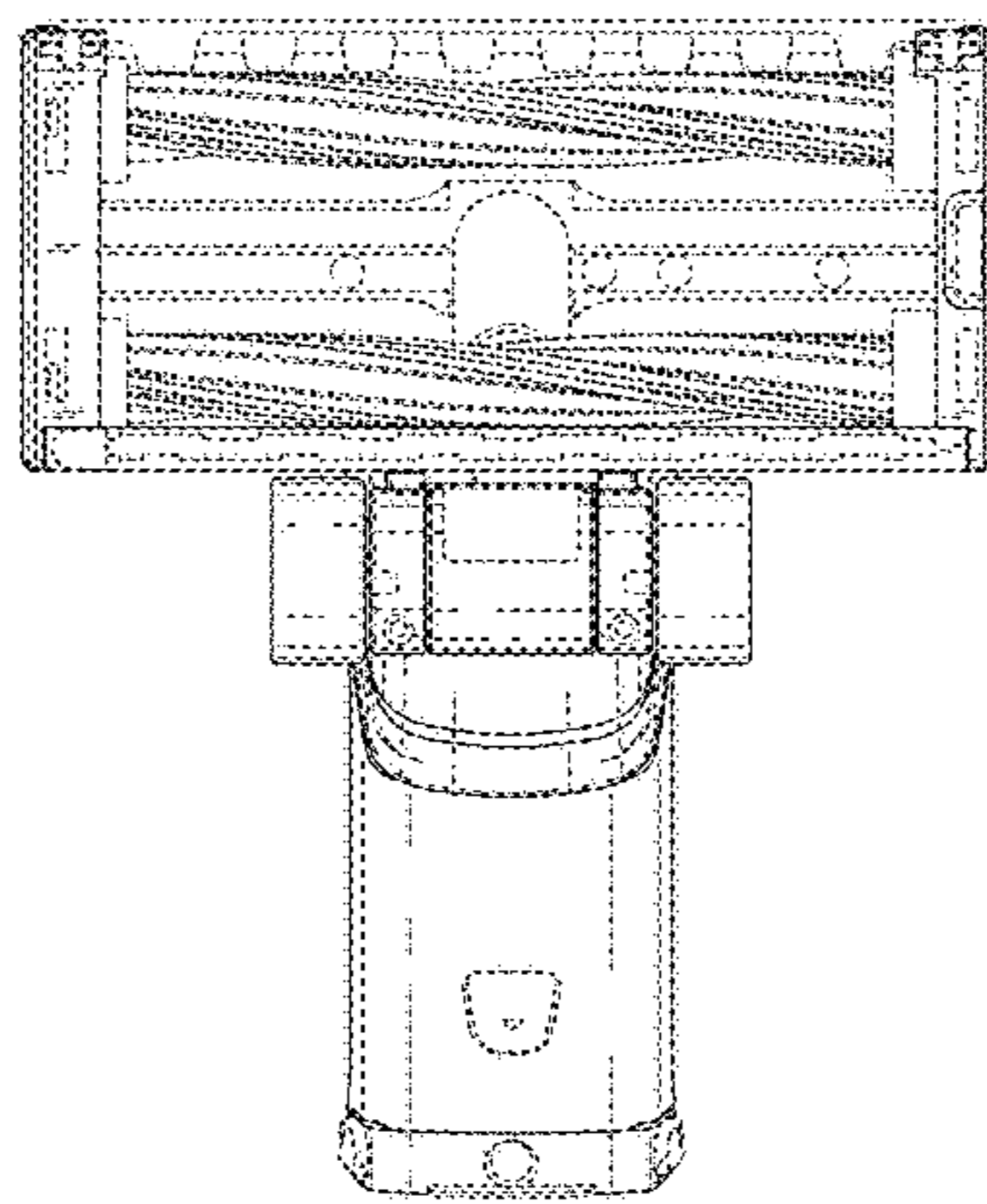


FIG. 8

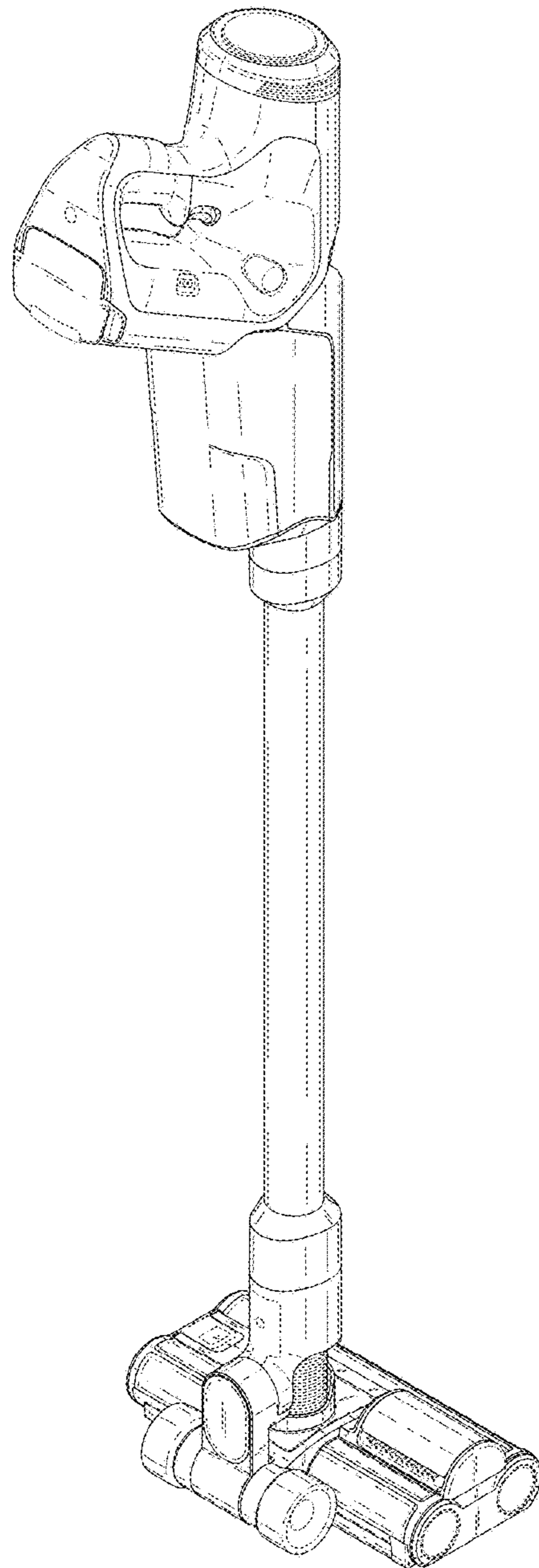


FIG. 9

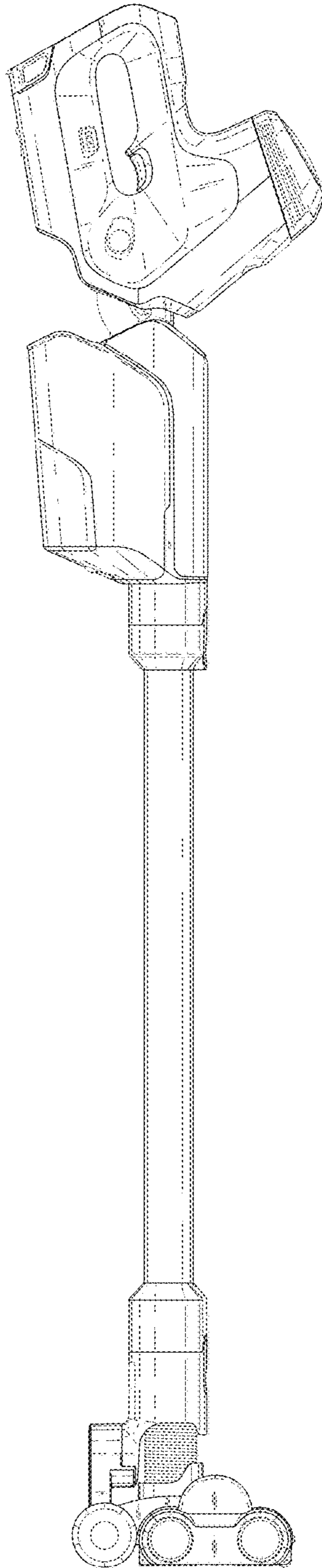


FIG. 10

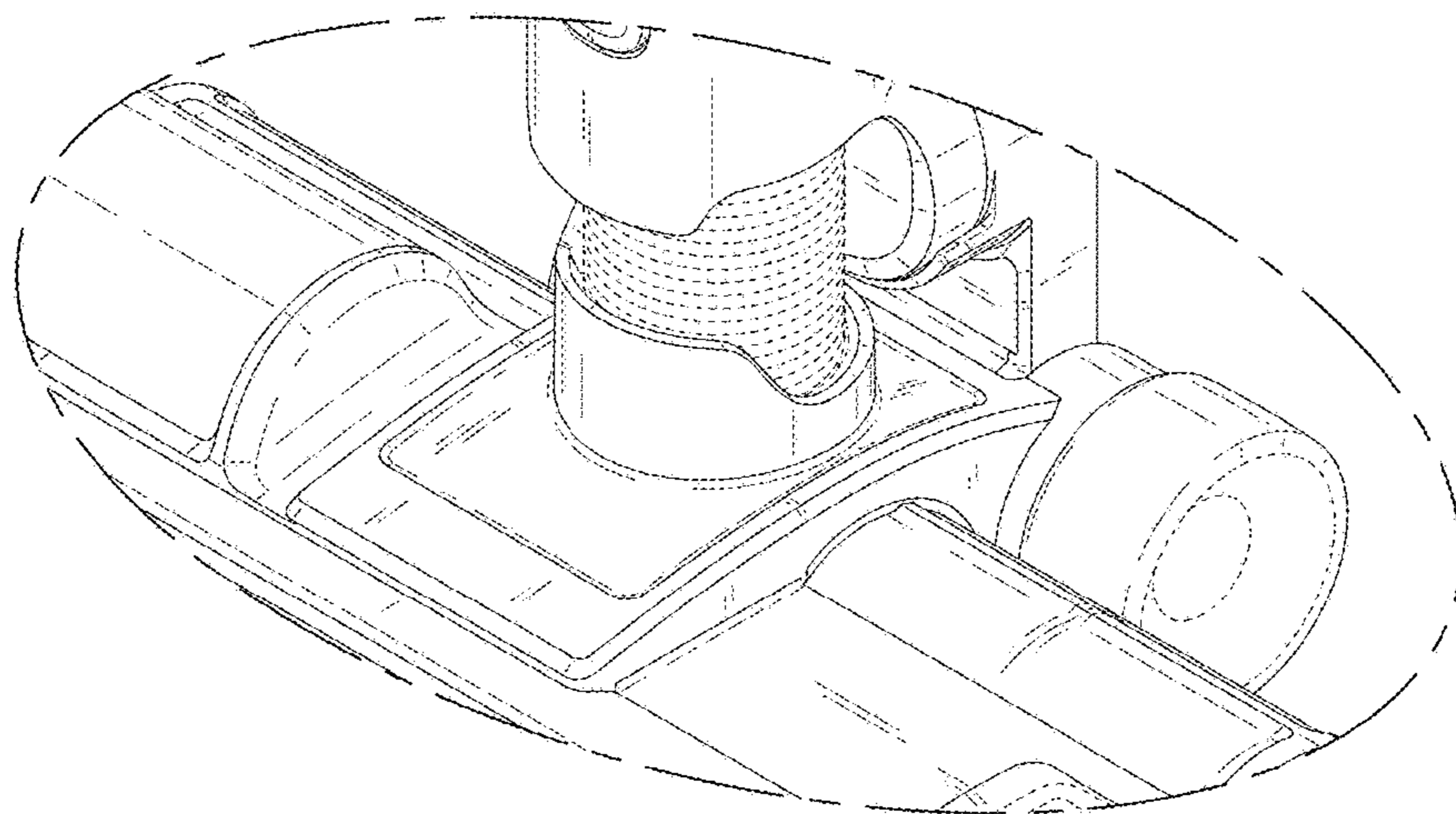


FIG. 11

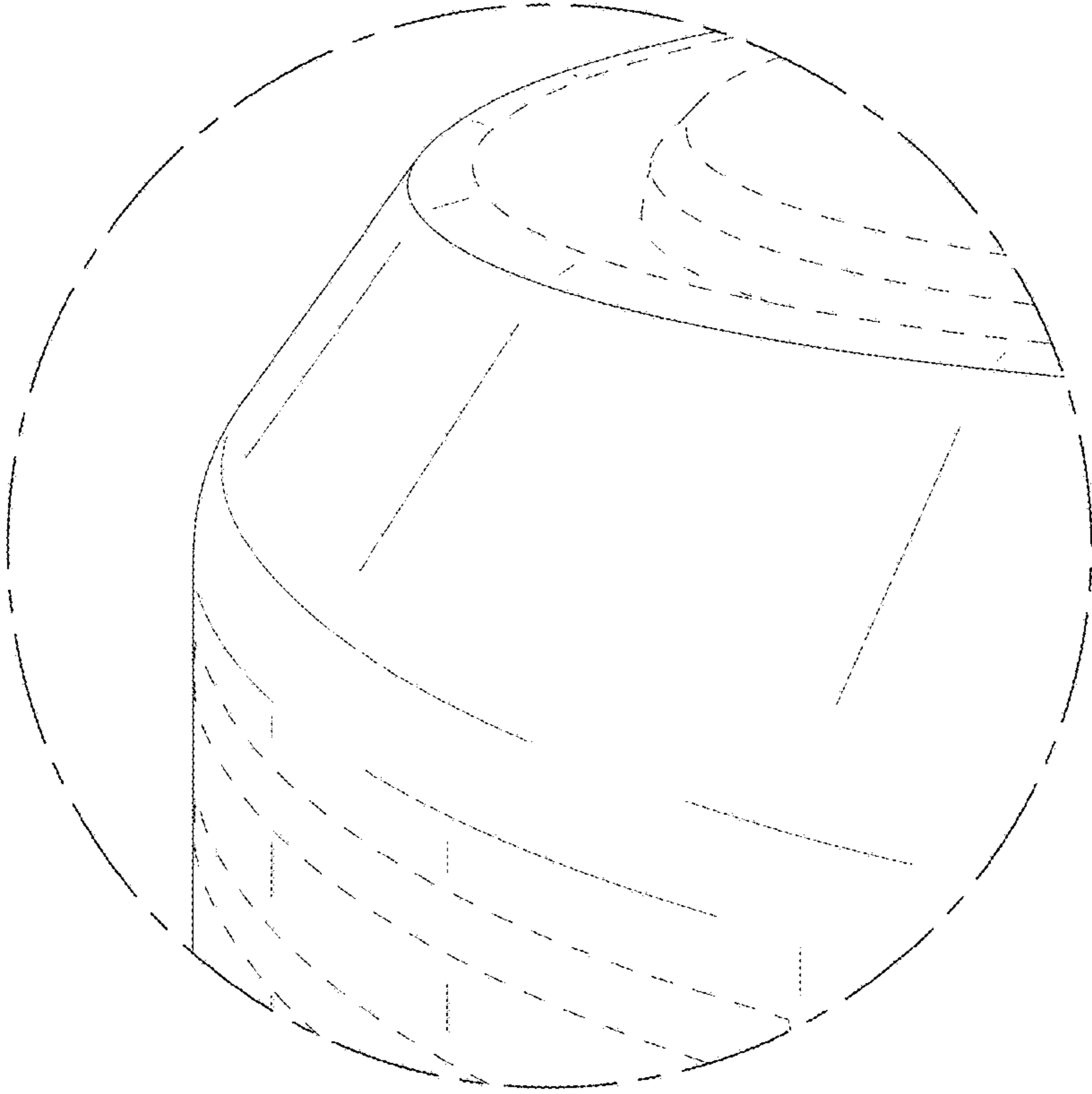


FIG. 12

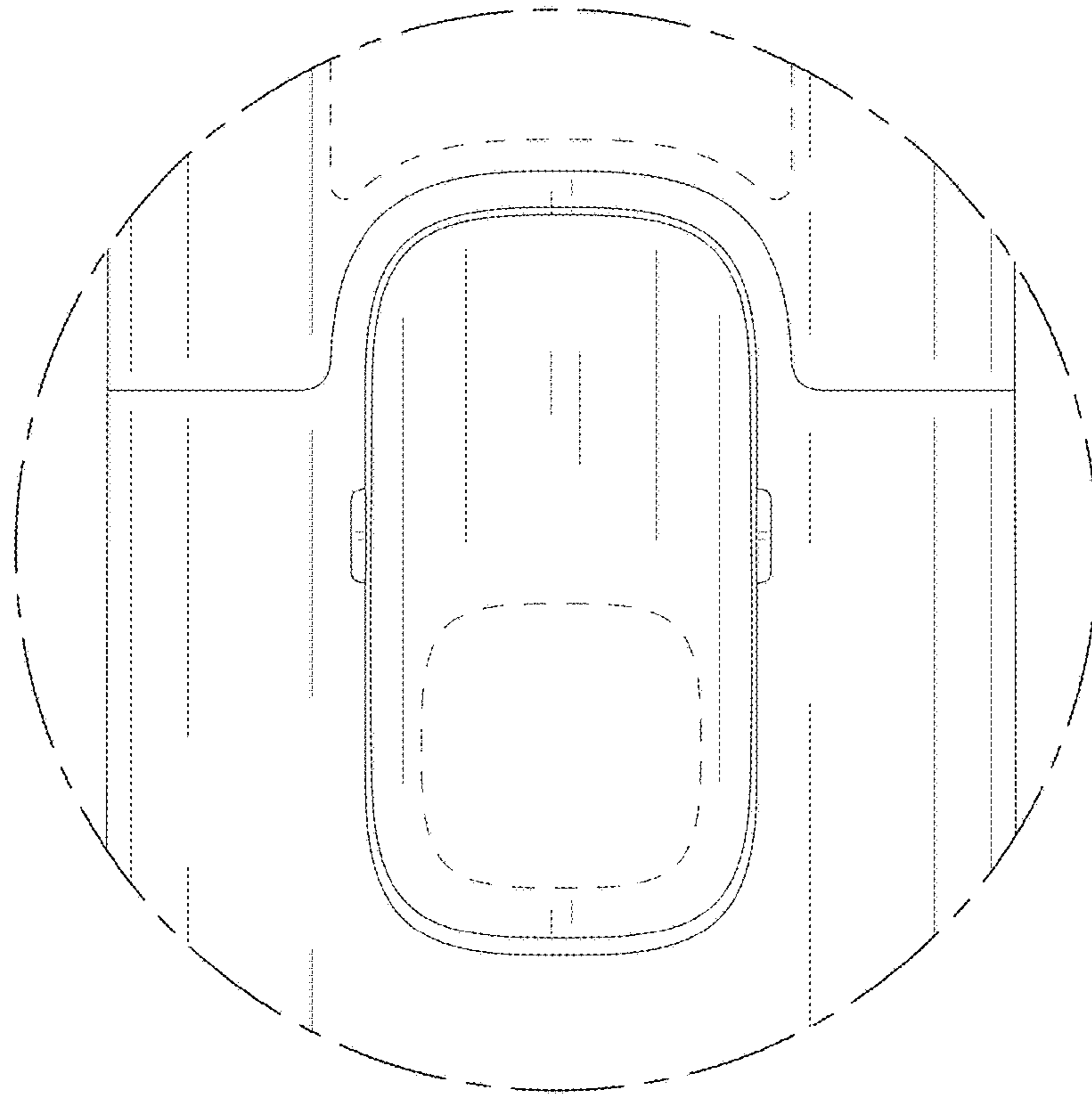


FIG. 13

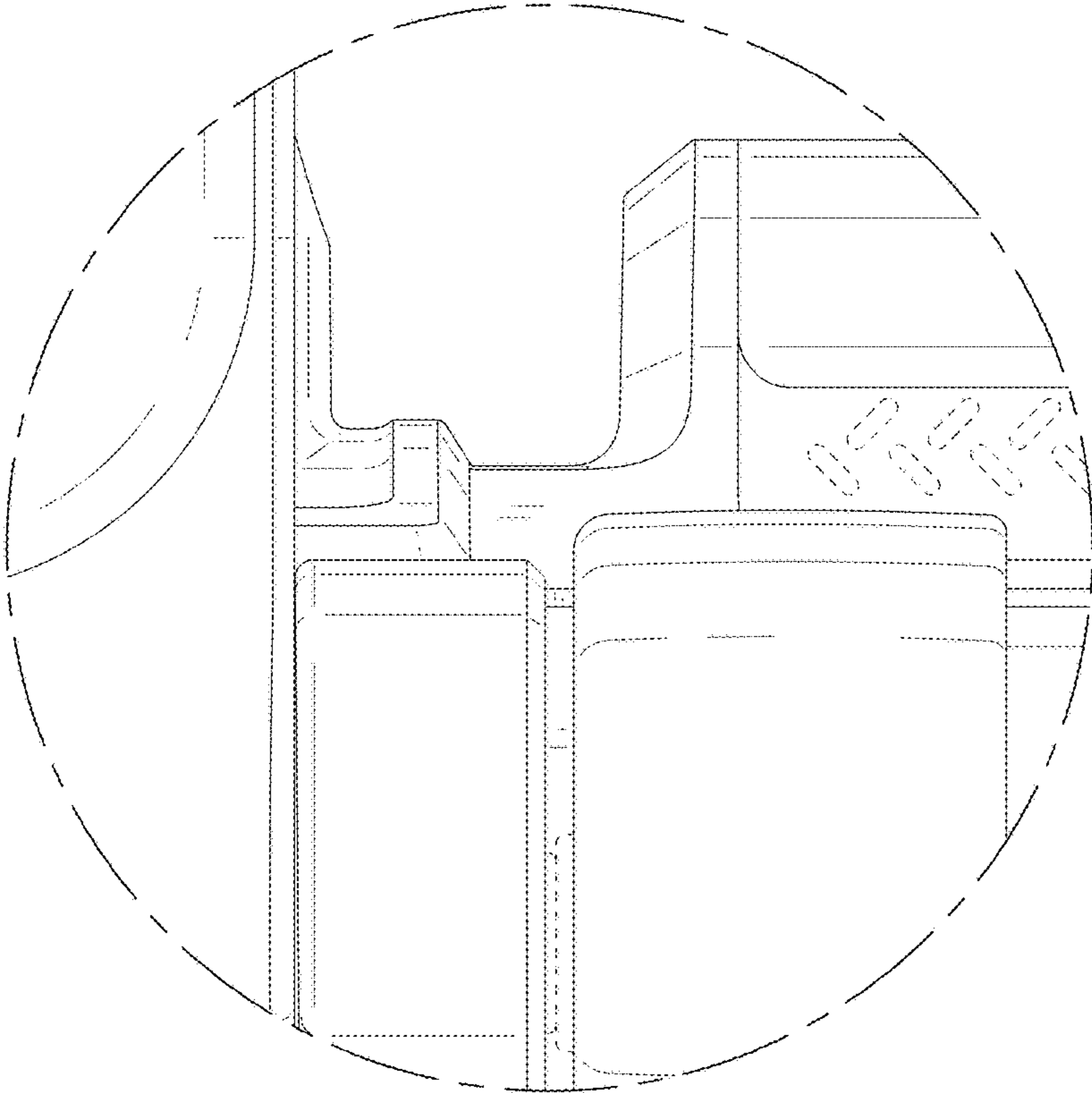


FIG. 14

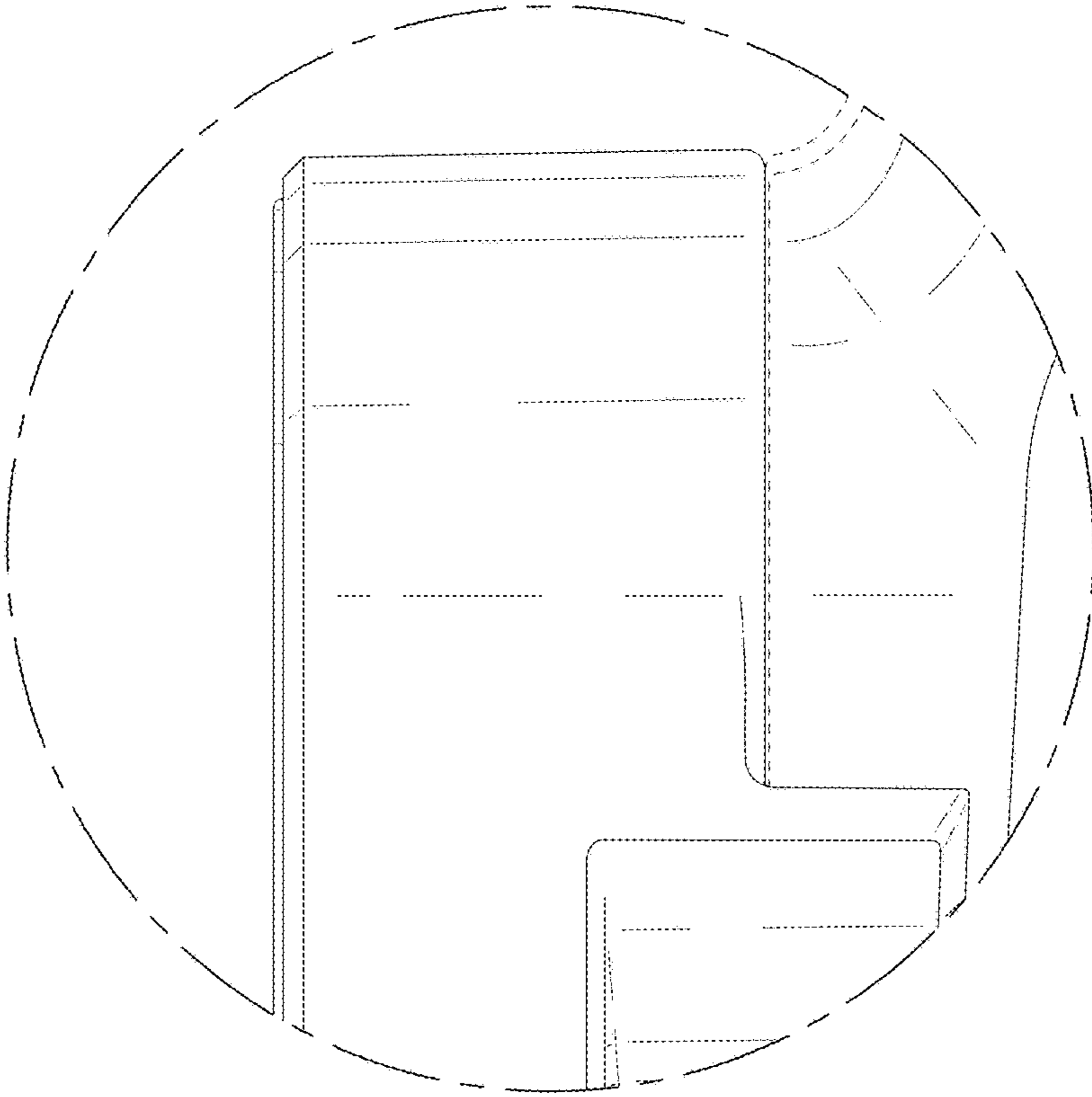


FIG. 15

