

US00D862009S

(12) **United States Design Patent** (10) **Patent No.:** **US D862,009 S**
Pearson (45) **Date of Patent:** **** Oct. 1, 2019**

(54) MILKING CLAW FOR A MILKING MACHINE	4,671,209 A *	6/1987	Whittlestone	A01J 7/005 119/14.55
	4,907,535 A *	3/1990	Matsuzawa	A01J 5/041 119/14.55
(71) Applicant: Avon Polymer Products Limited, Wiltshire (GB)	5,076,211 A *	12/1991	Tonelli	A01J 5/041 119/14.54
(72) Inventor: Chris Pearson, Wiltshire (GB)	5,590,622 A *	1/1997	Wilson	A01J 5/041 119/14.54
(73) Assignee: Avon Polymer Products Limited, Wiltshire (GB)	5,829,381 A *	11/1998	Nijkamp	A01J 5/013 119/14.55
(**) Term: 15 Years	D418,951 S *	1/2000	Gustafsson	D30/199
(21) Appl. No.: 29/671,395	6,345,590 B1 *	2/2002	Cattaneo	A01J 5/041 119/14.55
(22) Filed: Nov. 27, 2018	D626,707 S *	11/2010	Berentzen	D30/199
	D839,500 S *	1/2019	Pearson	D30/199
	2005/0229858 A1 *	10/2005	Steingraber	A01J 5/041 119/14.54
	2006/0254524 A1 *	11/2006	Happel	A01J 5/041 119/14.54

Related U.S. Application Data

- (62) Division of application No. 29/581,141, filed on Oct. 17, 2016, now Pat. No. Des. 839,500.
- (51) **LOC (12) Cl.** **30-99**
- (52) **U.S. Cl.**
USPC **D30/199**
- (58) **Field of Classification Search**
USPC D30/199, 121; 119/14.54, 14.55, 14.36, 119/14.39, 14.37
CPC A01J 5/041
See application file for complete search history.

References Cited

U.S. PATENT DOCUMENTS

2,518,589 A *	8/1950	Anderson	A01J 5/041 119/14.45
3,014,455 A *	12/1961	Olander	A01J 5/013 119/14.54
4,253,419 A *	3/1981	Yang	A01J 7/005 119/14.54
4,314,526 A *	2/1982	Nordenskjold	A01J 5/041 119/14.55

(Continued)

Primary Examiner — Susan Moon Lee
(74) *Attorney, Agent, or Firm* — McGarry Bair PC

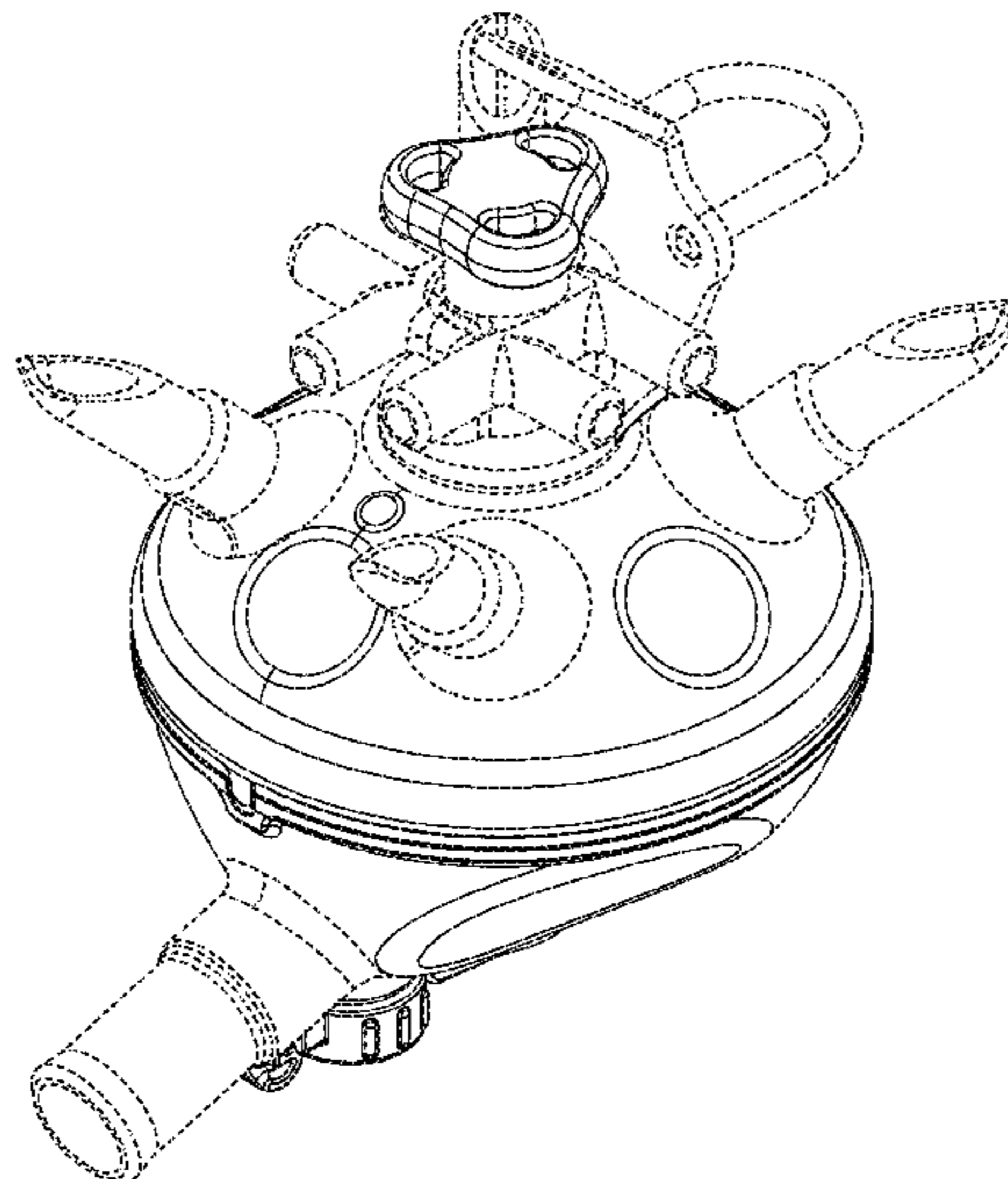
(57) **CLAIM**

The ornamental design for a milking claw for a milking machine, as shown and described.

DESCRIPTION

FIG. 1 is a perspective view of a milking claw for a milking machine according to an embodiment of the design;
FIG. 2 is a right side view thereof,
FIG. 3 is a left side view thereof,
FIG. 4 is a front view thereof,
FIG. 5 is a back view thereof,
FIG. 6 is a top view thereof; and,
FIG. 7 is a bottom view thereof.
The broken lines depict unclaimed features of the milking claw for a milking machine that form no part of the design claim but are shown for purposes of illustration.

1 Claim, 7 Drawing Sheets



(56)

References Cited

U.S. PATENT DOCUMENTS

2007/0137582	A1*	6/2007	Boast	A01J 5/044 119/14.54
2007/0272160	A1*	11/2007	Berentzen	A01J 5/041 119/14.54
2014/0033982	A1*	2/2014	Serafini	A01J 5/041 119/14.54
2014/0165918	A1*	6/2014	Kochman	A01J 5/00 119/14.51
2015/0320005	A1*	11/2015	La Torre	A01J 5/041 119/14.54
2016/0007559	A1*	1/2016	Andersson	A01J 5/044 119/14.46
2018/0153131	A1*	6/2018	Krone	A01J 7/027
2018/0228117	A1*	8/2018	Gruter	A01J 5/08

* cited by examiner

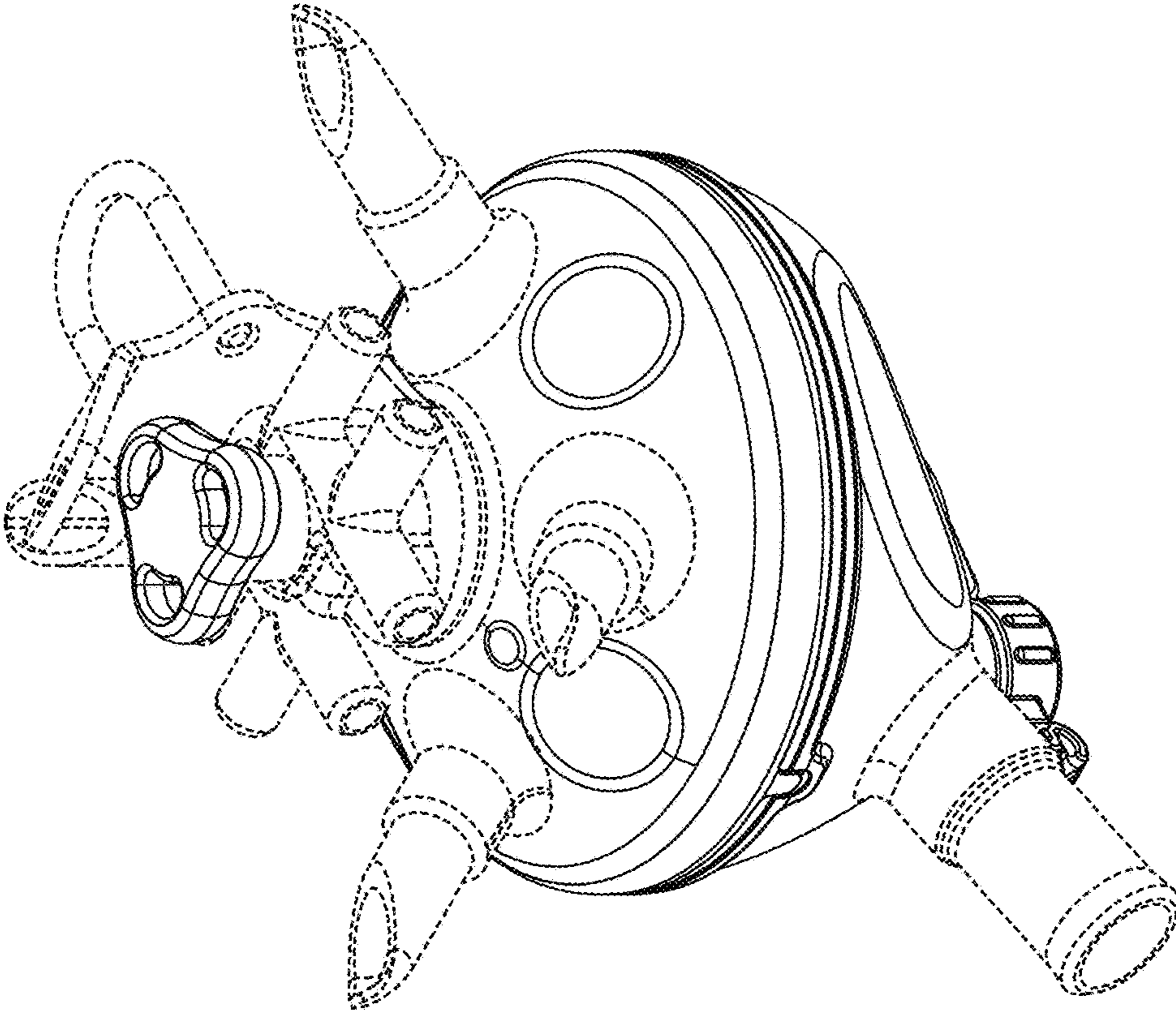


FIG. 1

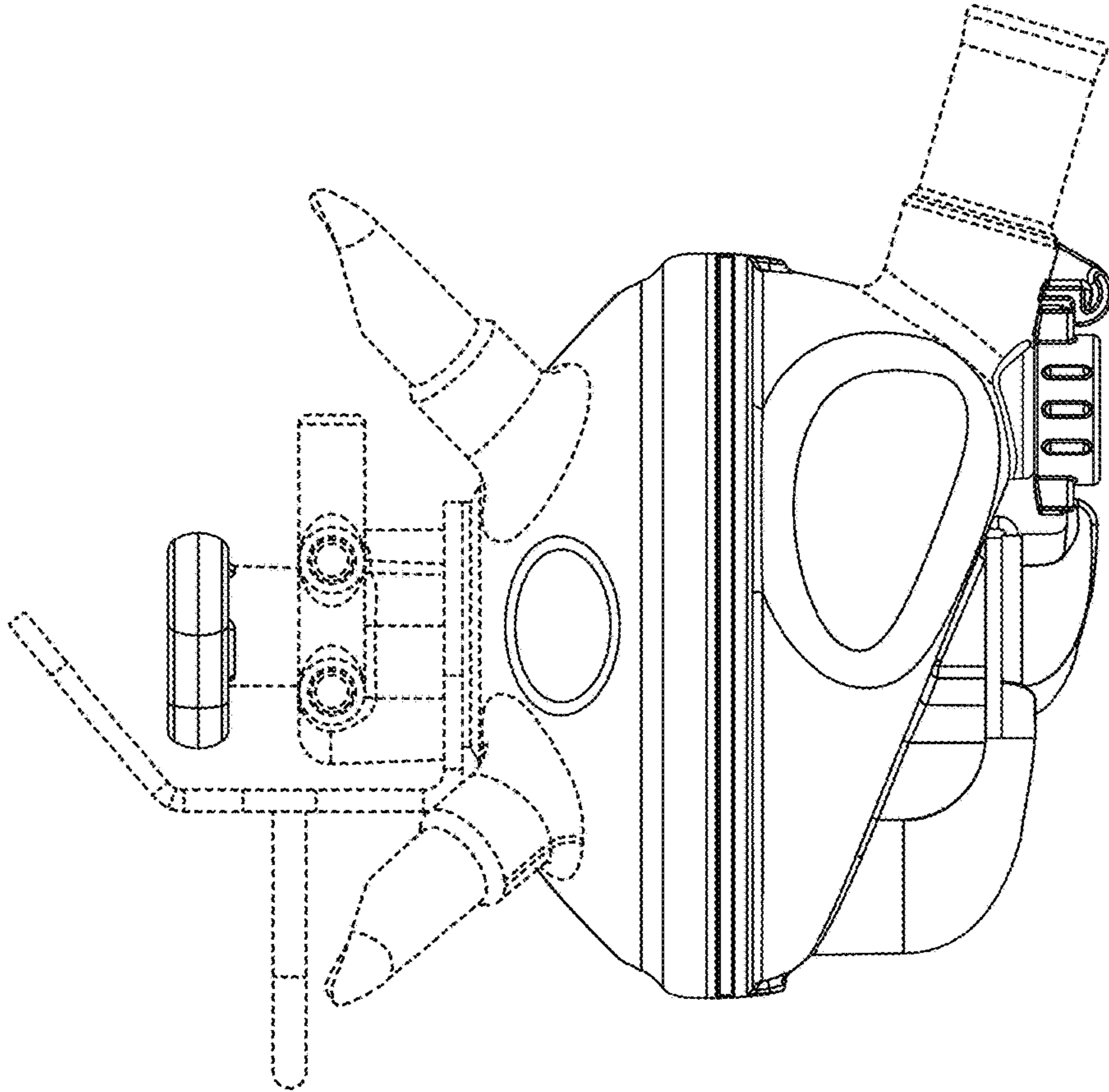


FIG. 2

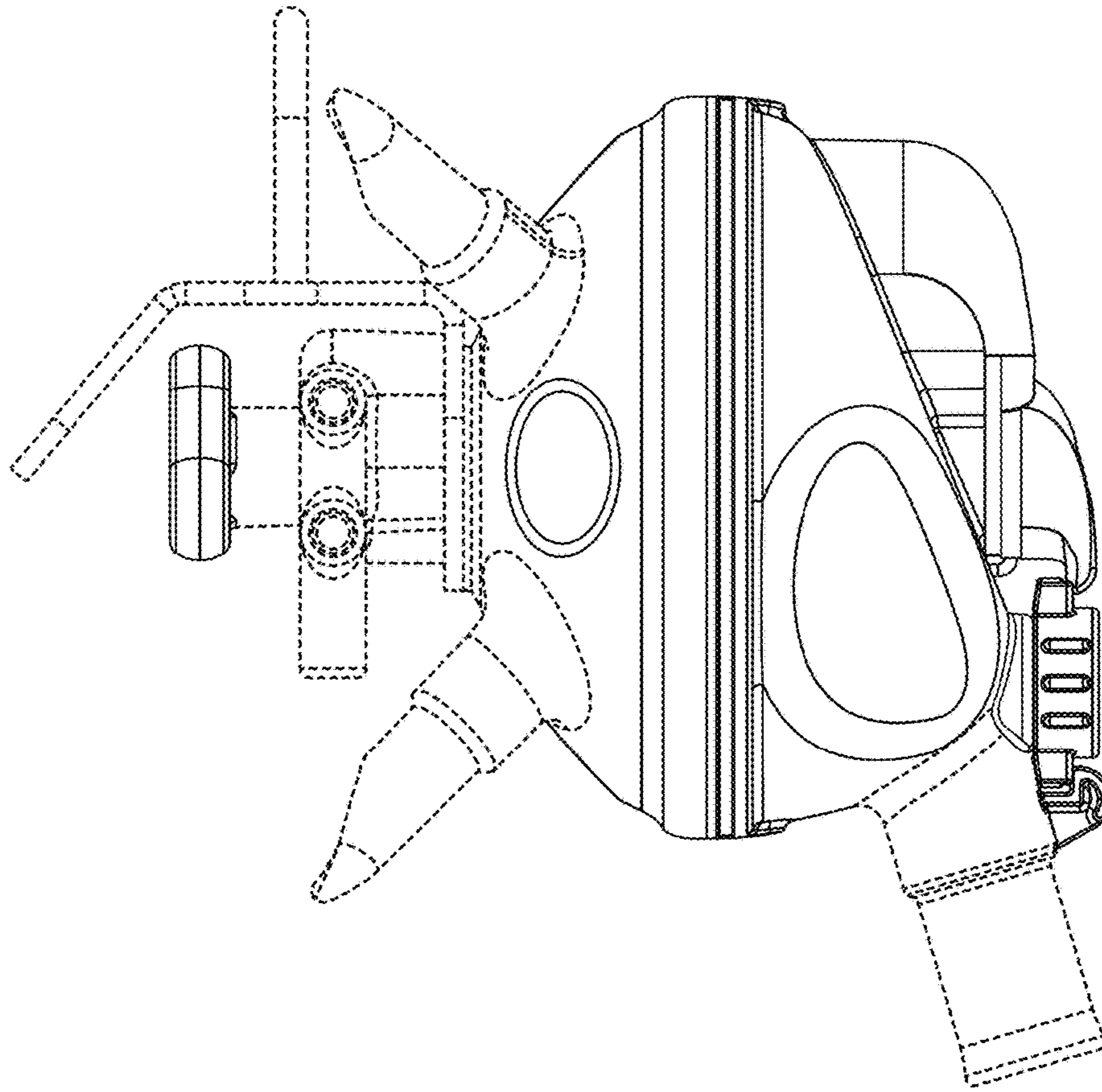


FIG. 3

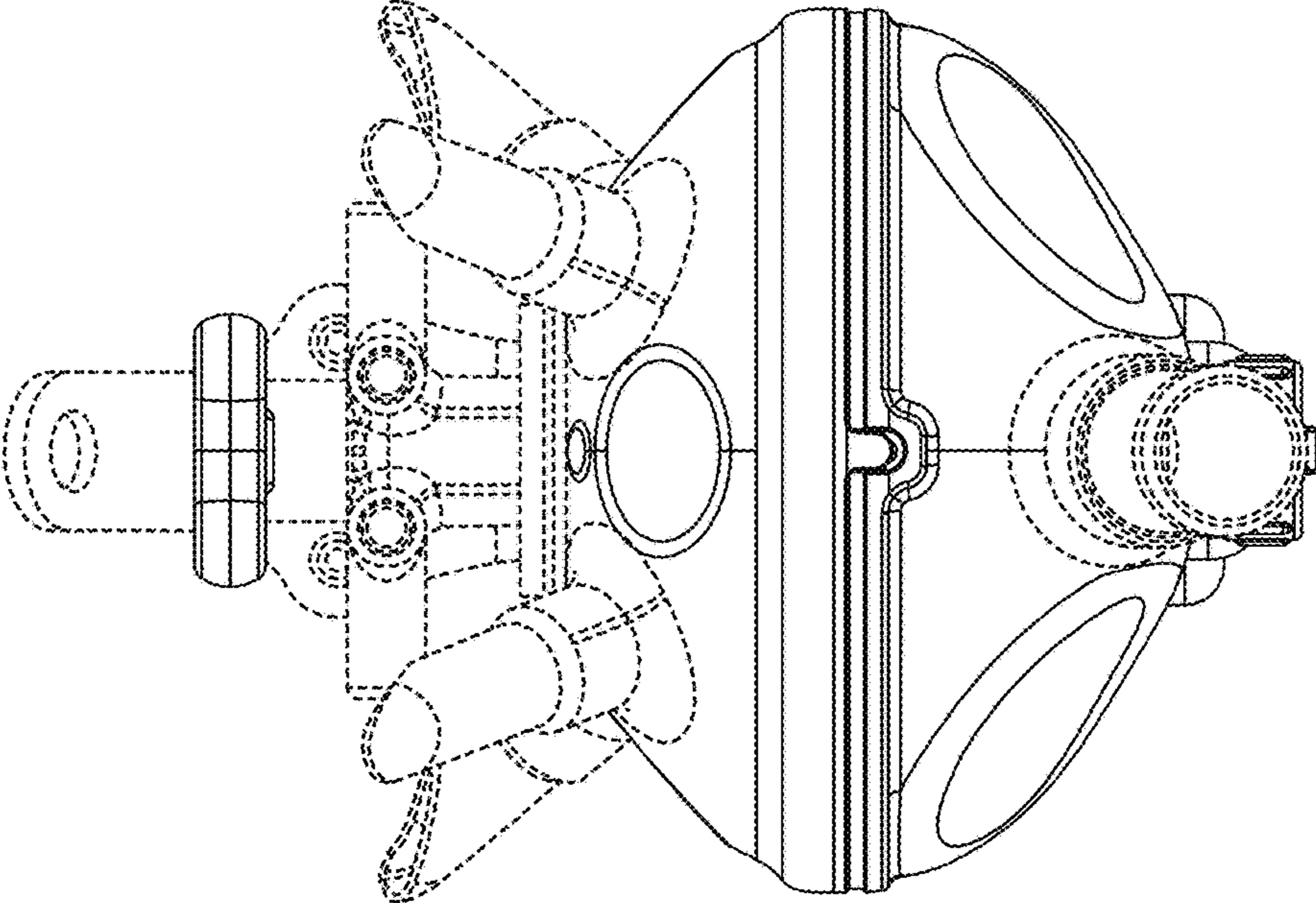


FIG. 4

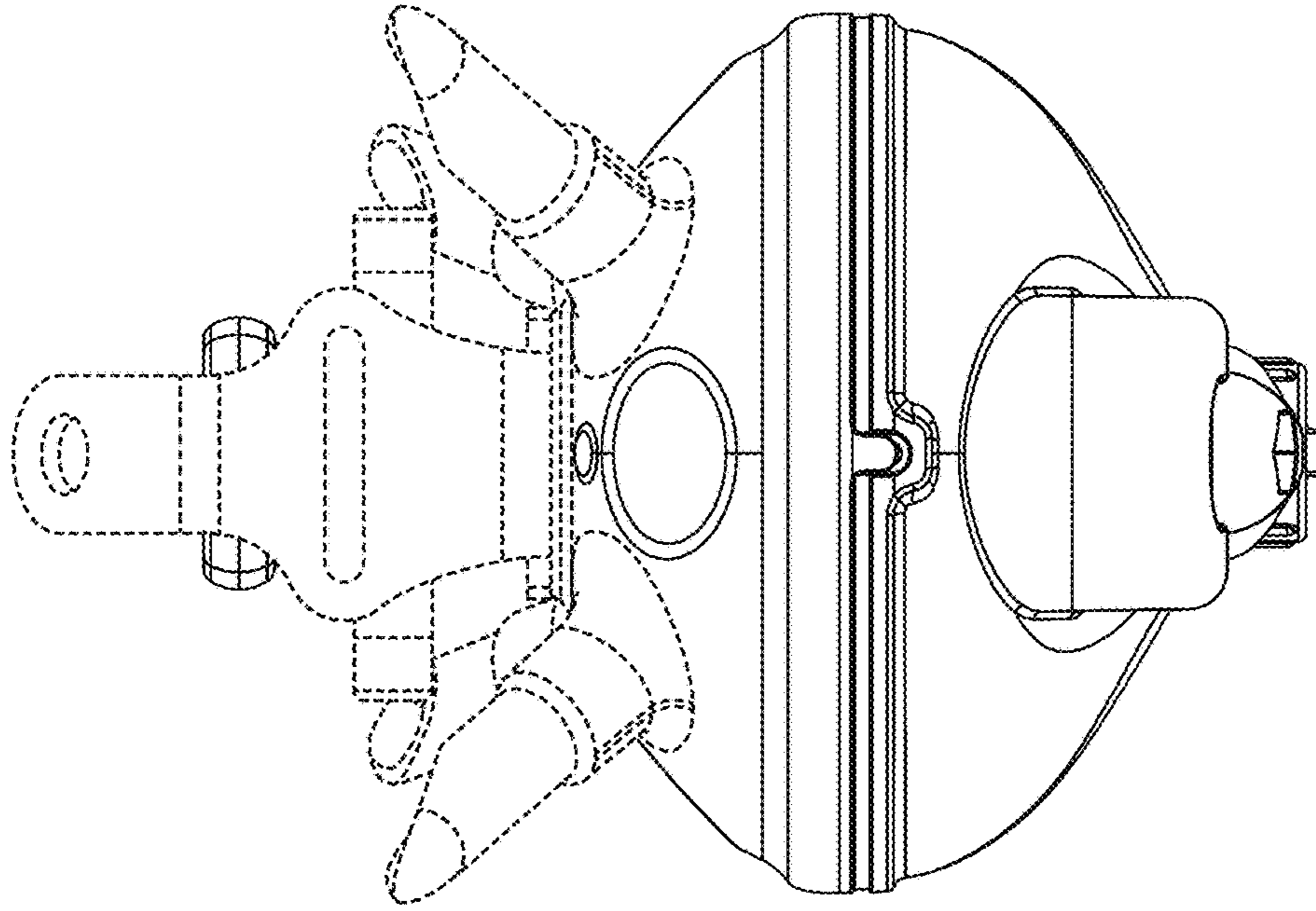


FIG. 5

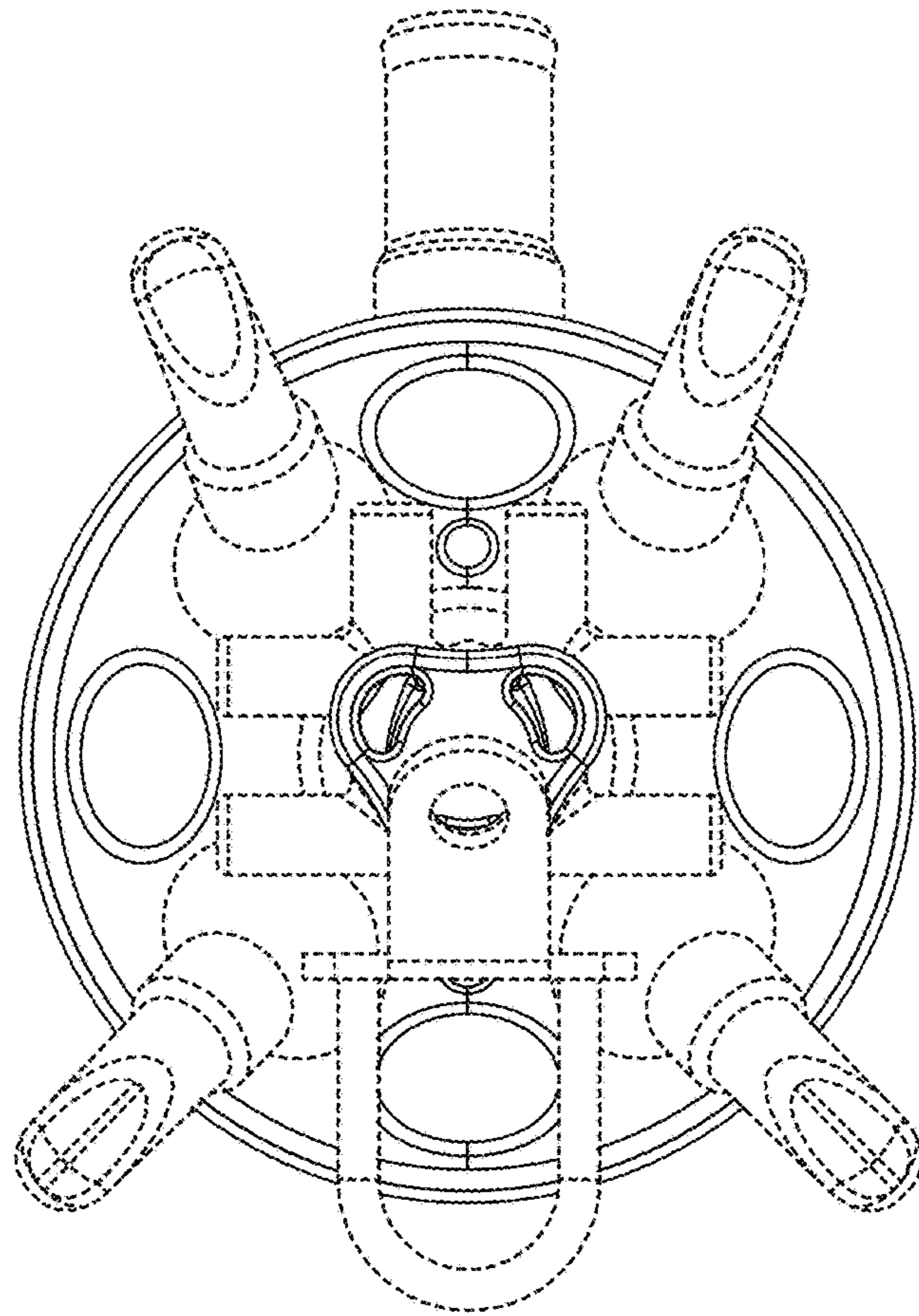


FIG. 6

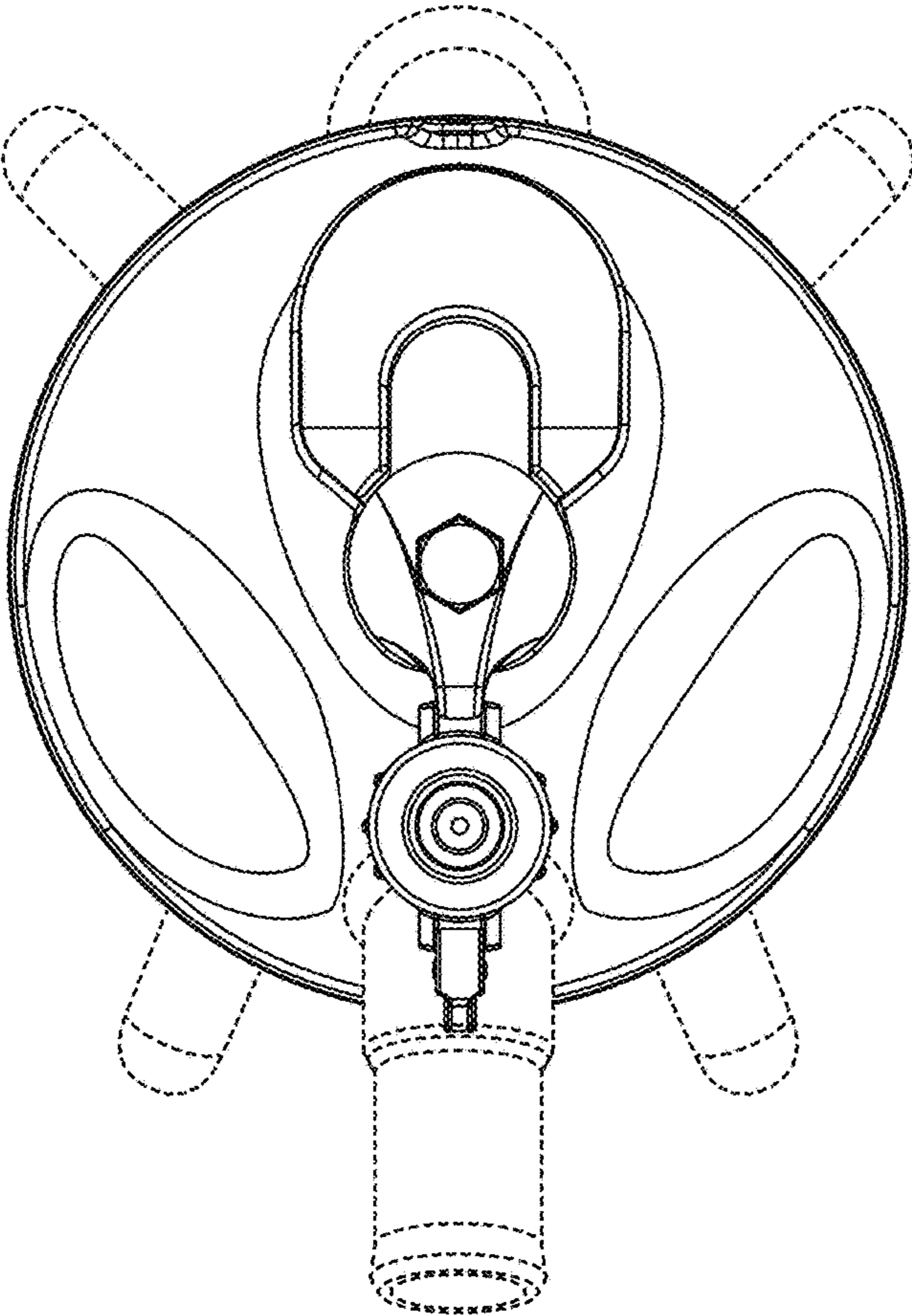


FIG. 7