



US00D862006S

(12) **United States Design Patent** (10) **Patent No.:** **US D862,006 S**  
**Axelrod et al.** (45) **Date of Patent:** **\*\* Oct. 1, 2019**

(54) **PET WASTE BAG HOLDER**  
(71) Applicant: **FOUR PAWS PRODUCTS, LTD.**,  
Neptune City, NJ (US)  
(72) Inventors: **Glen S. Axelrod**, Colts Neck, NJ (US);  
**Ajay Gajria**, Maharashtra (IN); **Jeffrey**  
**Hellinger**, Bayville, NJ (US)  
(73) Assignee: **FOUR PAWS PRODUCTS, LTD.**,  
Neptune City, NJ (US)  
(\*\*) Term: **15 Years**  
(21) Appl. No.: **29/602,113**  
(22) Filed: **Apr. 28, 2017**  
(51) **LOC (12) Cl.** ..... **30-04**  
(52) **U.S. Cl.**  
USPC ..... **D30/153; D6/518**  
(58) **Field of Classification Search**  
USPC ..... D30/144, 151, 152, 153, 154, 160, 199;  
D6/518; D21/732, 777; D3/215;  
D8/107, 313  
CPC ..... A01K 27/008; A01K 23/005  
See application file for complete search history.

2008/0179902 A1\* 7/2008 Phillips ..... E01H 1/1206  
294/1.3  
2012/0006284 A1\* 1/2012 Messner ..... A01K 27/004  
119/796  
2012/0024925 A1\* 2/2012 Caldeira ..... A45F 5/00  
224/576  
2017/0112103 A1\* 4/2017 Iles ..... A01K 27/008  
2018/0220624 A1\* 8/2018 Bussell ..... A01K 27/008

**OTHER PUBLICATIONS**

“Four Paws Wee Wee Outdoor Eco Flashlight Waste Bag Dis-  
penser”. Found online Mar. 2, 2019 at petmountain.com. Page dated  
Mar. 3, 2019. Retrieved from [https://www.petmountain.com/product/  
wee-wee-outdoor-eco-flashlight-waste-bag-dispenser-with-refill](https://www.petmountain.com/product/wee-wee-outdoor-eco-flashlight-waste-bag-dispenser-with-refill).  
\*  
“Wonderwoof: Seven Dog Doo Bag Dispensers”. Found online Jan.  
7, 2016 at wonderblog.squarespace.com. Page dated Sep. 22, 2014.  
Retrieved from [http://wonderblog.squarespace.com/blog/2014/9/18/  
seven-dog-doo-bag-dispensers](http://wonderblog.squarespace.com/blog/2014/9/18/seven-dog-doo-bag-dispensers).\*

\* cited by examiner

*Primary Examiner* — Kendra Leslie Hamilton  
(74) *Attorney, Agent, or Firm* — Grossman, Tucker,  
Perreault & Pfeleger, PLLC

(57) **CLAIM**

The ornamental design for a pet waste bag holder, as shown.

(56) **References Cited**

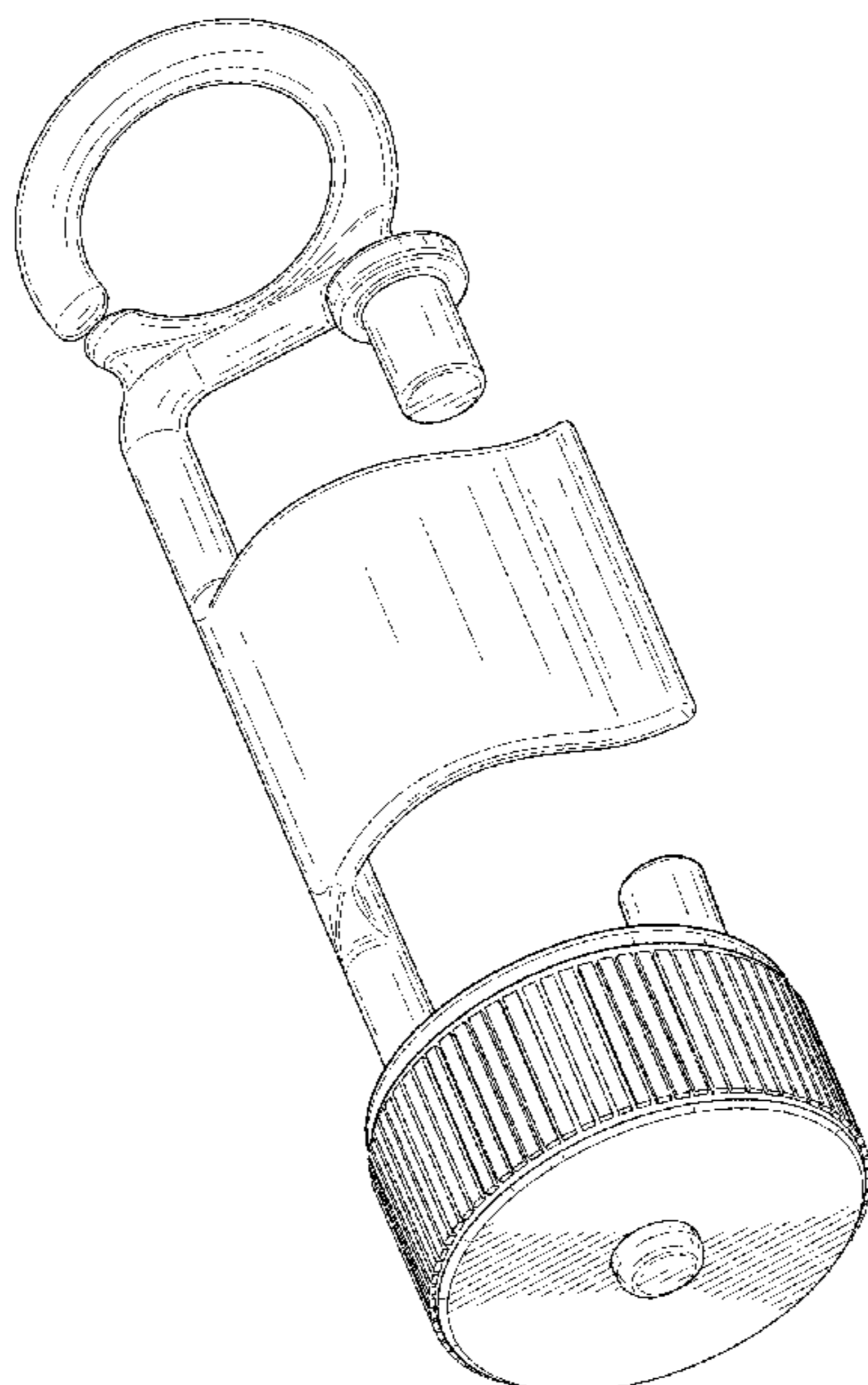
**U.S. PATENT DOCUMENTS**

6,170,692 B1\* 1/2001 Johnston ..... B65F 1/12  
220/23.83  
D471,005 S \* 3/2003 Hastings ..... D3/215  
D544,155 S \* 6/2007 Lamstein ..... D30/158  
D681,298 S \* 4/2013 Strubin ..... D34/1  
D685,957 S \* 7/2013 Schiffman ..... D30/153  
D739,158 S \* 9/2015 Pan ..... D6/518  
D779,227 S \* 2/2017 Abbott ..... D6/518  
2006/0118569 A1\* 6/2006 Edwards ..... B65H 35/10  
221/63

**DESCRIPTION**

FIG. 1 is a front, bottom, left perspective view of a pet waste  
bag holder, showing our new design;  
FIG. 2 is a front elevation view thereof;  
FIG. 3 is a rear elevation view thereof;  
FIG. 4 is a right side elevation view thereof;  
FIG. 5 is a left side elevation view thereof;  
FIG. 6 is a top plan view thereof; and,  
FIG. 7 is a bottom plan view thereof.

**1 Claim, 5 Drawing Sheets**



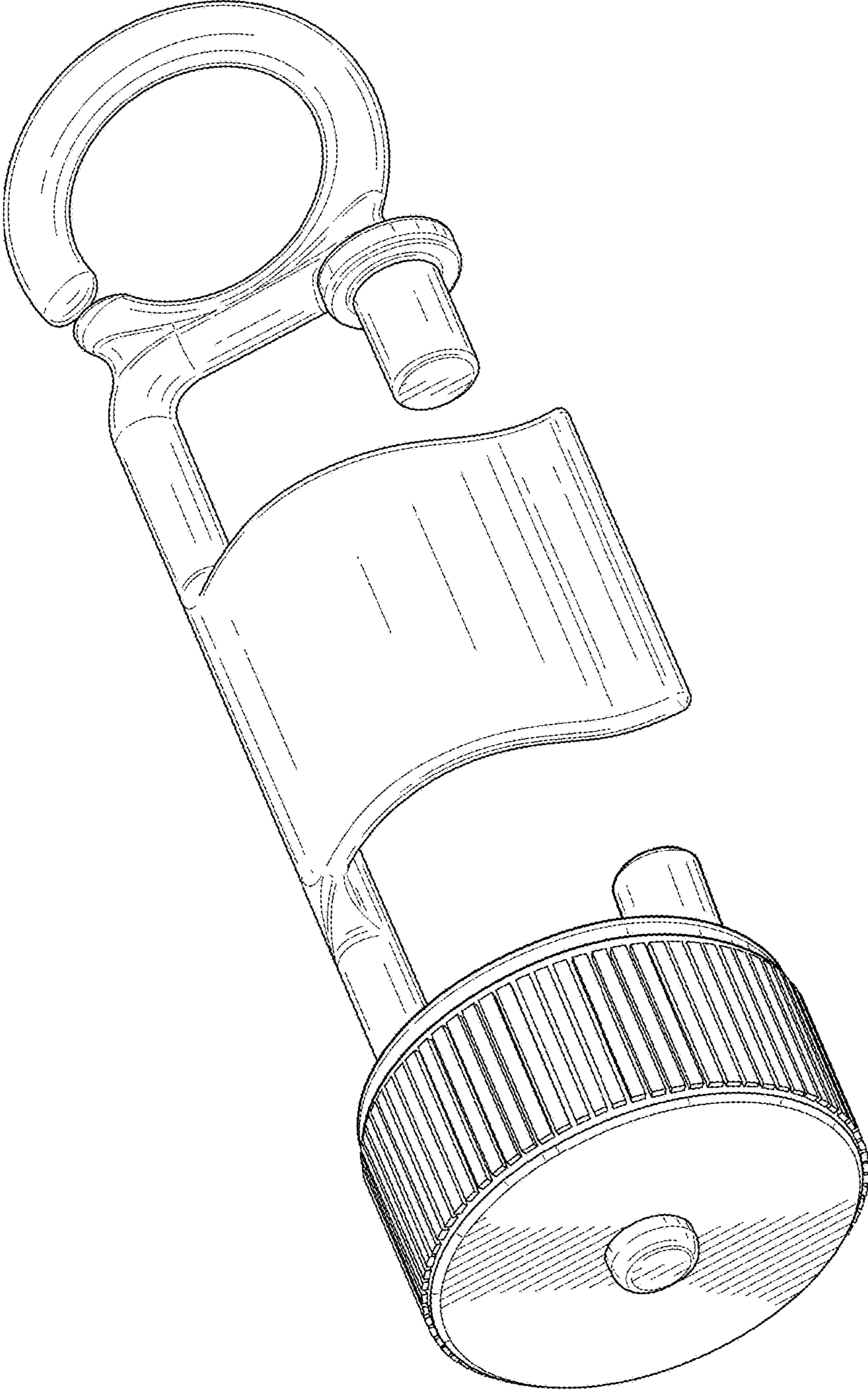


FIG. 1

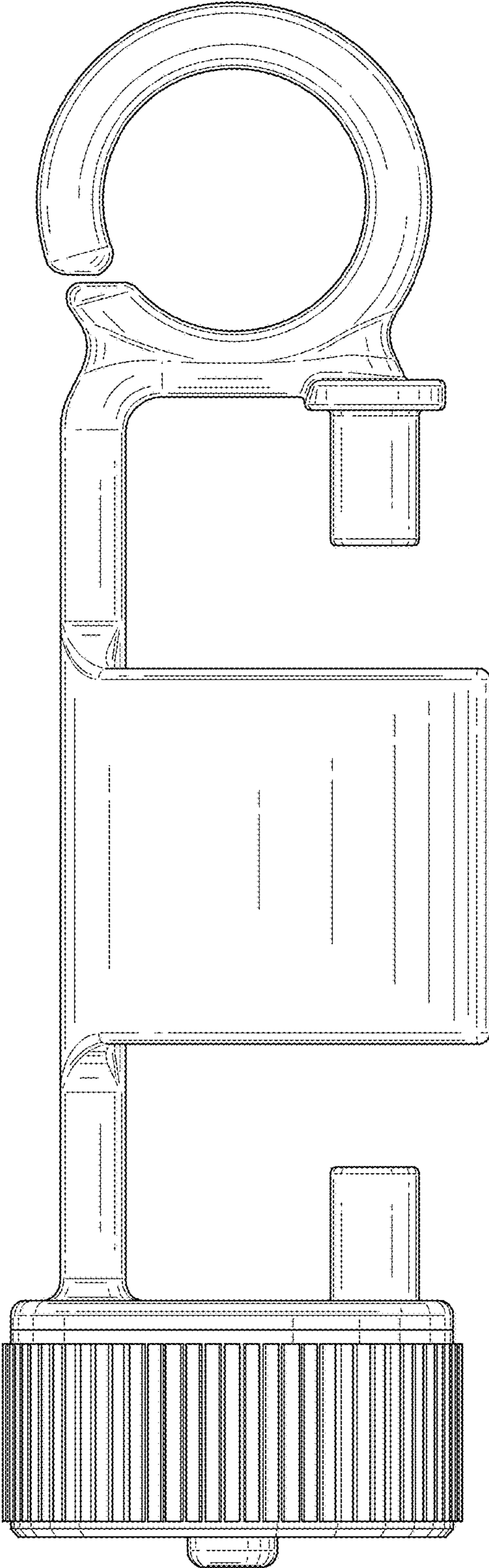


FIG. 2

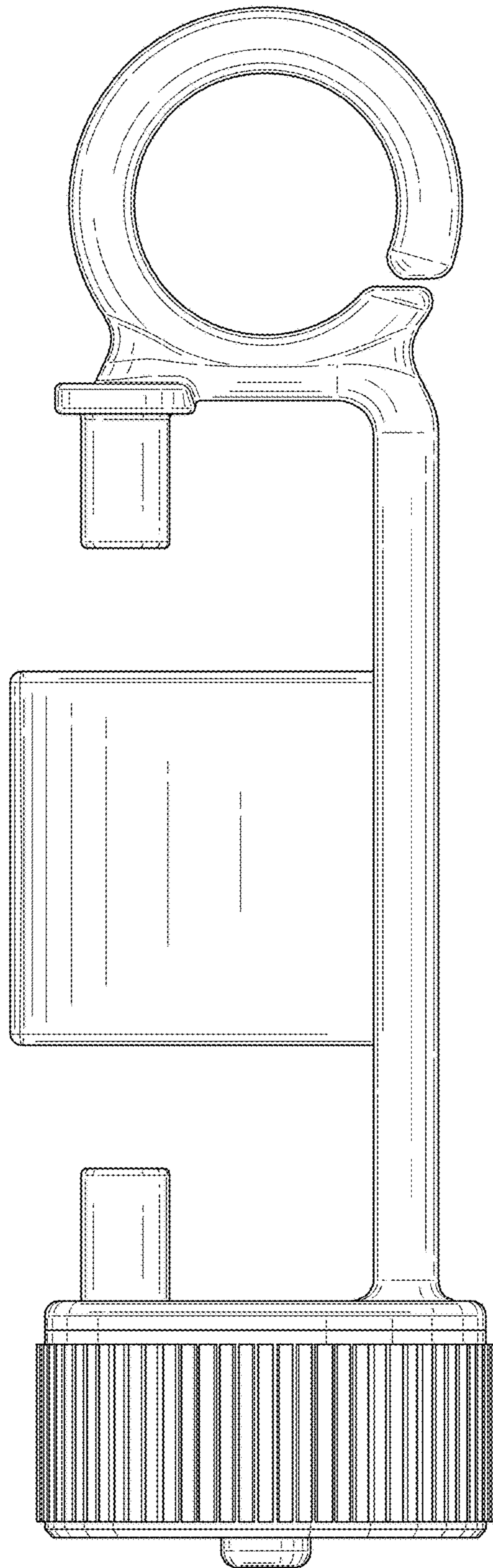


FIG. 3

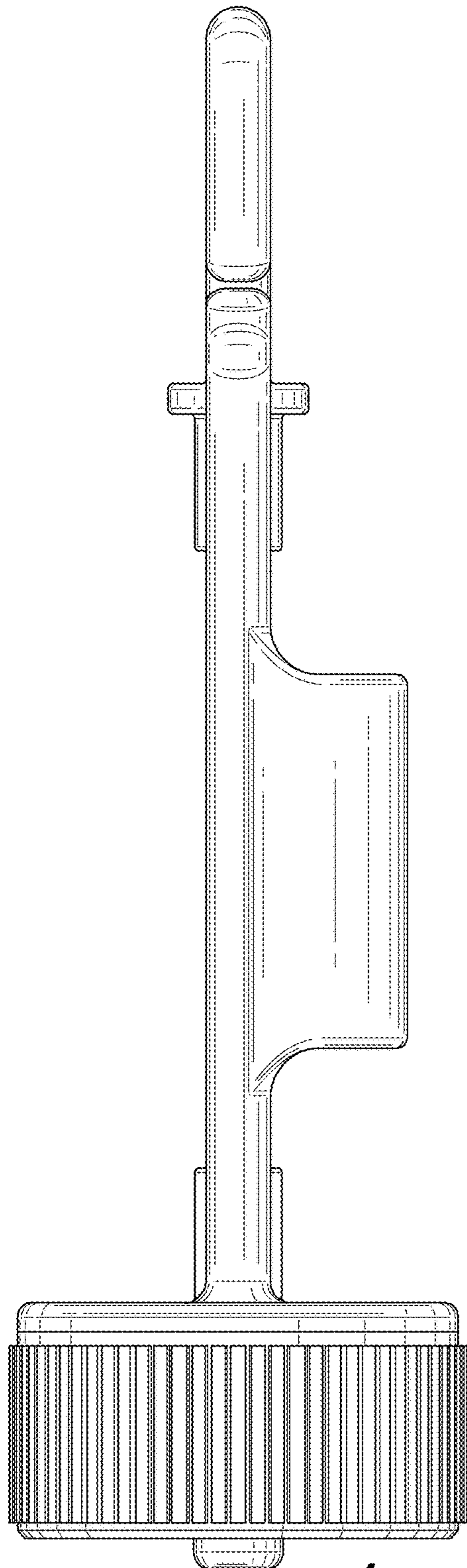


FIG. 4

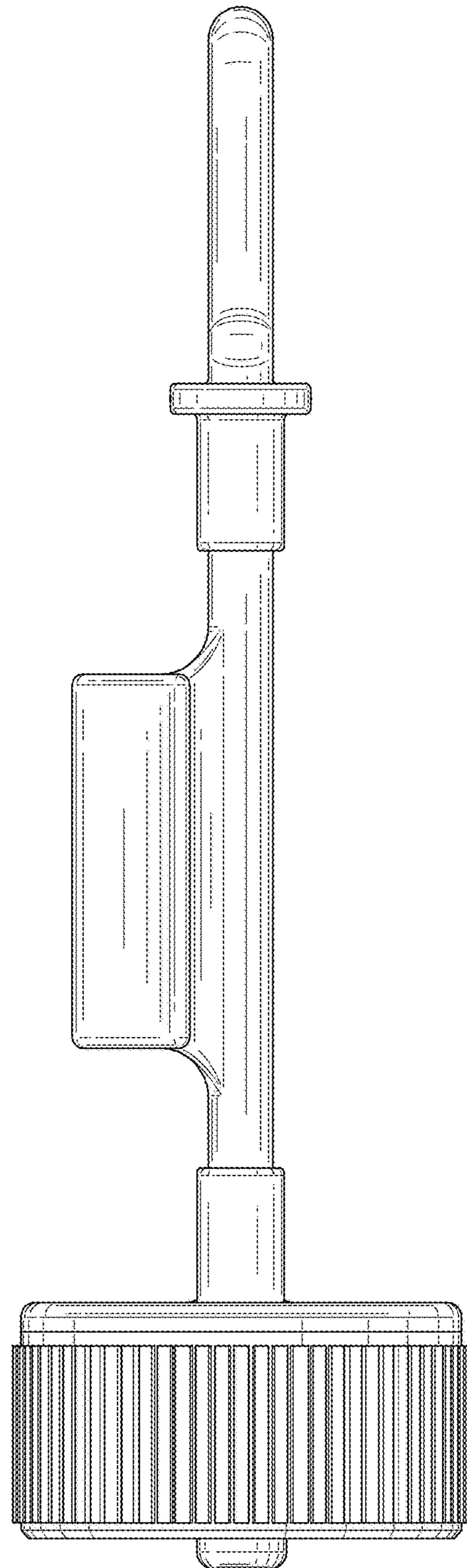


FIG. 5

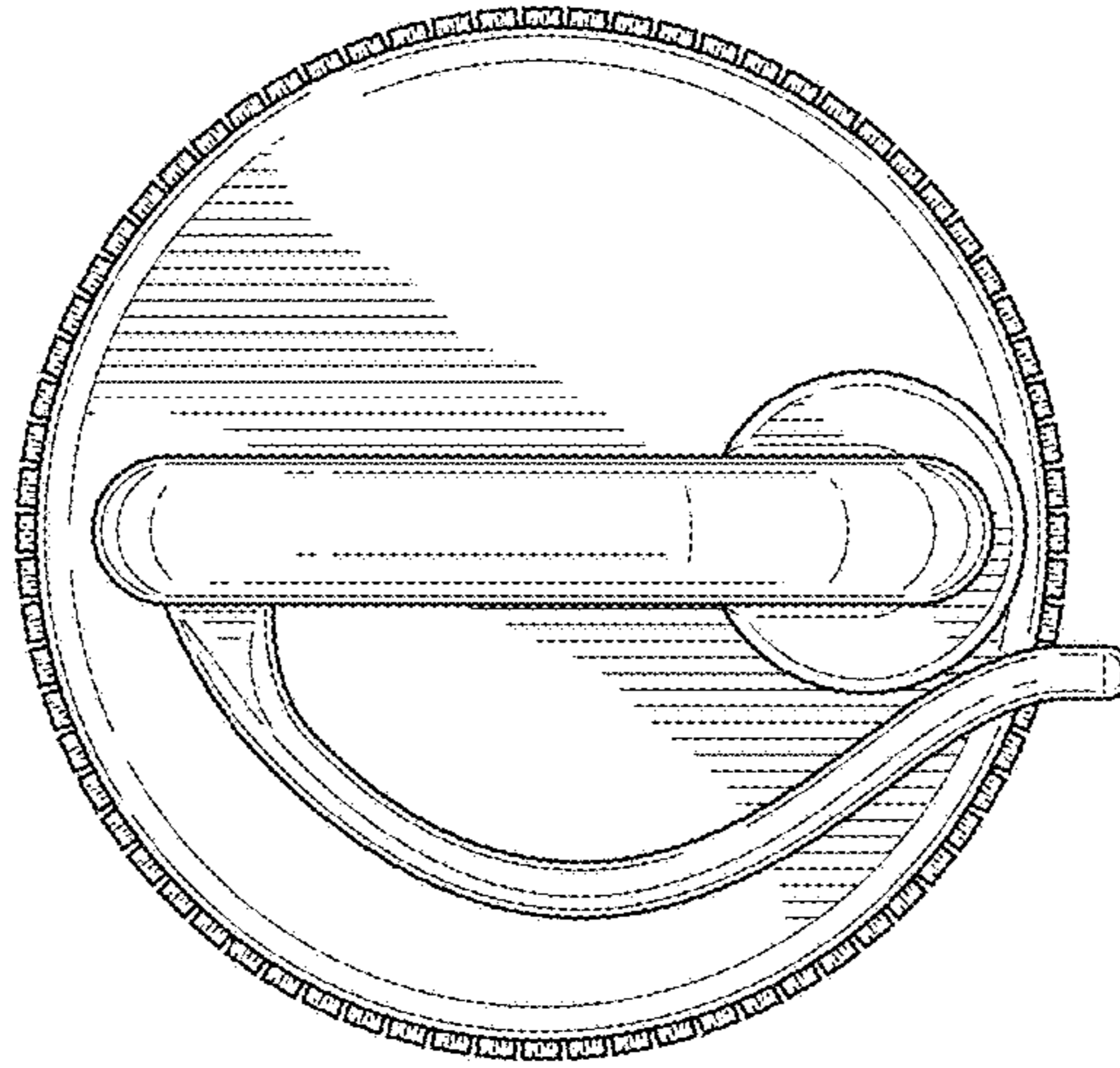


FIG. 6

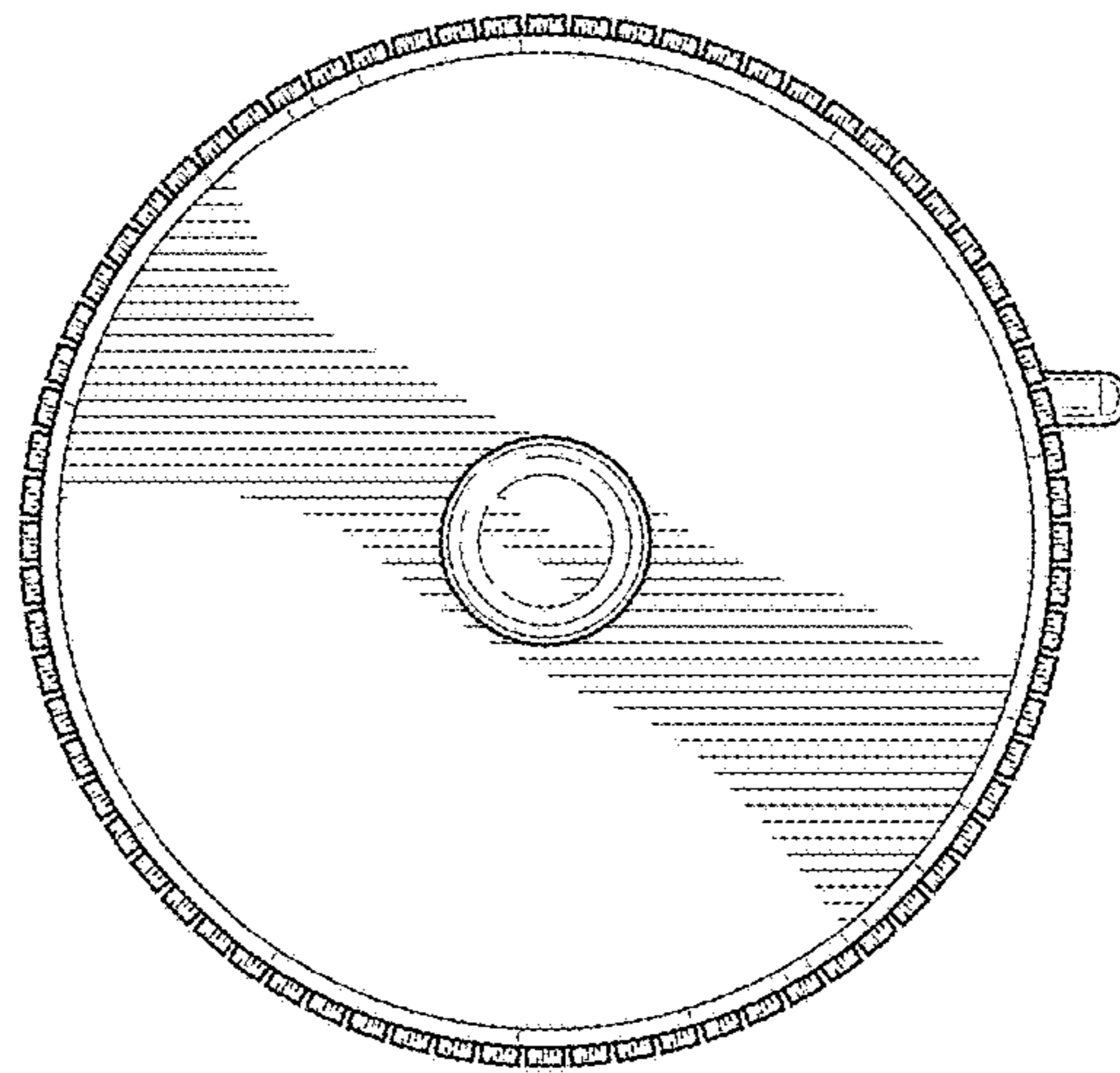


FIG. 7