

US00D862005S

(12) **United States Design Patent**  
**Gabriele**

(10) **Patent No.:** **US D862,005 S**

(45) **Date of Patent:** **\*\* Oct. 1, 2019**

(54) **DOG HARNESS**

(71) Applicant: **Rose Gabriele**, Nutley, NJ (US)

(72) Inventor: **Rose Gabriele**, Nutley, NJ (US)

(\*\*) Term: **15 Years**

(21) Appl. No.: **29/656,850**

(22) Filed: **Jul. 17, 2018**

(51) **LOC (12) Cl.** ..... **30-04**

(52) **U.S. Cl.**  
USPC ..... **D30/152**

(58) **Field of Classification Search**

USPC ..... D30/144, 145, 151, 152, 154;  
D29/101.1, 101.3, 101.4; D2/718, 719,  
D2/860, 861

CPC ..... A01K 27/002; A01K 13/006  
See application file for complete search history.

(56) **References Cited**

U.S. PATENT DOCUMENTS

- 3,310,034 A \* 3/1967 Dishart ..... B60R 22/10  
119/771
- 4,633,817 A \* 1/1987 Taylor ..... A01K 13/006  
119/850
- D293,139 S \* 12/1987 Roa ..... D30/152
- D343,750 S \* 2/1994 Wolf ..... D6/514
- 6,564,753 B1 \* 5/2003 Heileg ..... A01K 13/007  
119/817
- D599,504 S \* 9/2009 Halip ..... D30/152
- 8,336,503 B2 \* 12/2012 Spinelli ..... A47D 13/086  
119/770
- D702,893 S \* 4/2014 Tullo ..... D30/146
- D743,628 S \* 11/2015 Millington ..... D29/101.1
- D840,153 S \* 2/2019 Persellin ..... D3/315
- D841,261 S \* 2/2019 Backus ..... D30/152
- 2018/0116175 A1 \* 5/2018 Lui ..... A01K 13/006

FOREIGN PATENT DOCUMENTS

JP 2010279312 A \* 12/2010

OTHER PUBLICATIONS

“Win a Snuggy Boots Orthotic & Footwear Suspender System!”  
Found online Jan. 4, 2017 at dogtipper.com. Page dated May 13,

2014. Retrieved from <http://www.dogtipper.com/giveaways-contests/2014/05/win-a-snuggy-boots-orthotic-footwear-suspender-system.html>.\*

“Lupine Pet Brook Trout Roman Dog Harness”. Found online Feb. 1, 2017 at amazon.com. Page dated Sep. 15, 2005. Retrieved from [https://www.amazon.com/LupinePet-Originals-Brook-Trout-Harness/dp/B0002H3NYG/ref=sr\\_1\\_23?s=pets-supplies&ie=UTF8&qid=1485804870&sr=1-23&refinements=p\\_72%3A2661621011](https://www.amazon.com/LupinePet-Originals-Brook-Trout-Harness/dp/B0002H3NYG/ref=sr_1_23?s=pets-supplies&ie=UTF8&qid=1485804870&sr=1-23&refinements=p_72%3A2661621011).\*

“PetSafe Premier ECO Easy Walk Dog Harness”. Found online Feb. 1, 2017 at amazon.com. Page dated Apr. 22, 2010. Retrieved from [https://www.amazon.com/Premier-Harness-Leash-Medium-Sedona/dp/B002RUY28W/ref=cm\\_cr\\_arp\\_d\\_product\\_top?ie=UTF8](https://www.amazon.com/Premier-Harness-Leash-Medium-Sedona/dp/B002RUY28W/ref=cm_cr_arp_d_product_top?ie=UTF8).\*

\* cited by examiner

*Primary Examiner* — Kendra Leslie Hamilton

(74) *Attorney, Agent, or Firm* — Michael J. Feigin, Esq.;  
Feigin and Fridman LLC

(57) **CLAIM**

The ornamental design for a dog harness, as shown and described.

**DESCRIPTION**

FIG. 1 is a top, rear, left side perspective view of a dog harness, showing my new design in a first configuration.

FIG. 2 is a top plan view thereof.

FIG. 3 is a bottom plan view thereof.

FIG. 4 is a left side elevation view thereof, the right side elevation view thereof being a mirror image.

FIG. 5 is a rear elevation view thereof.

FIG. 6 is a front elevation view thereof.

FIG. 7 is a left side elevation view of the dog harness of FIG. 1 in an alternate configuration, having the front end wrapped over itself to form a loop; the right side elevation view being a mirror image.

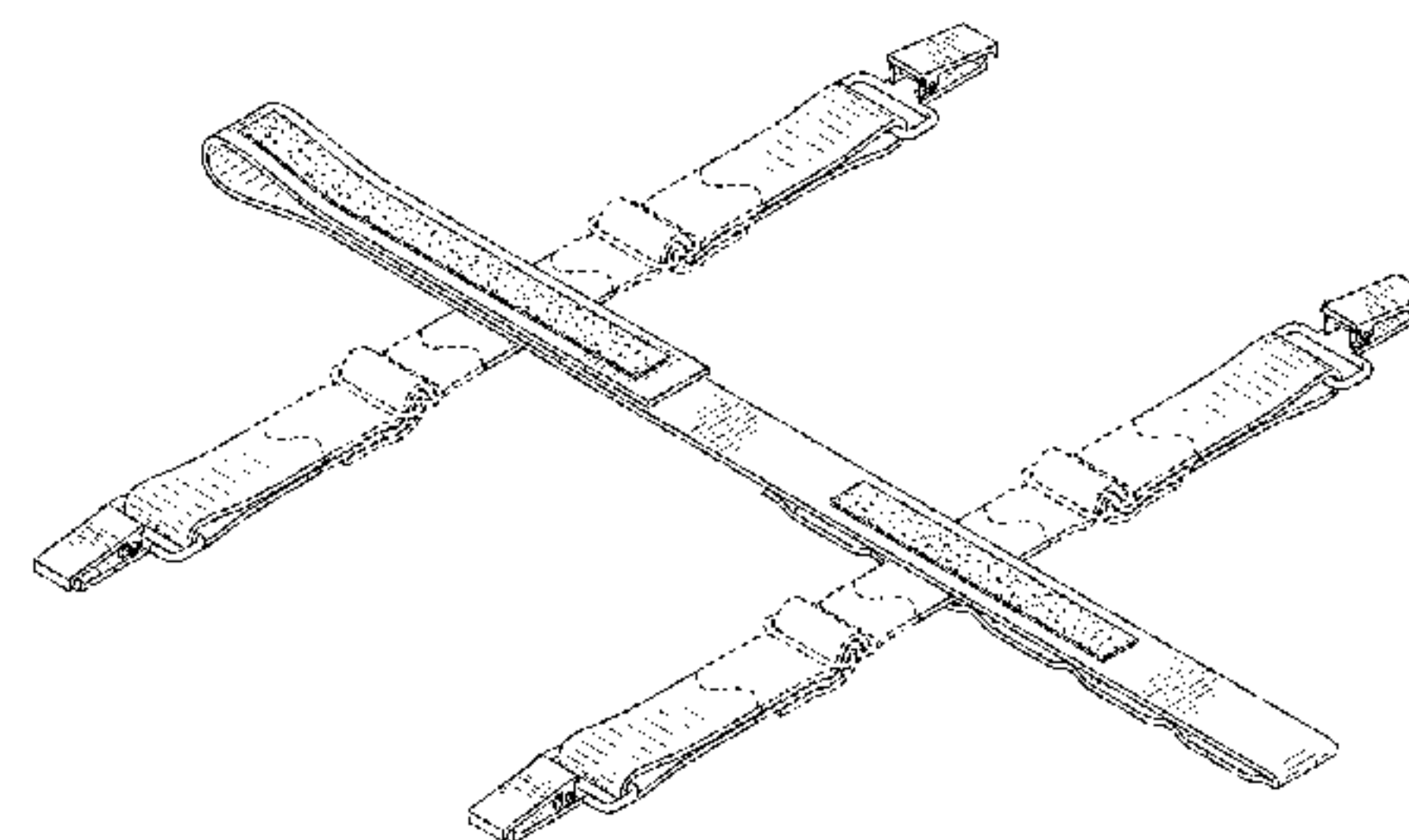
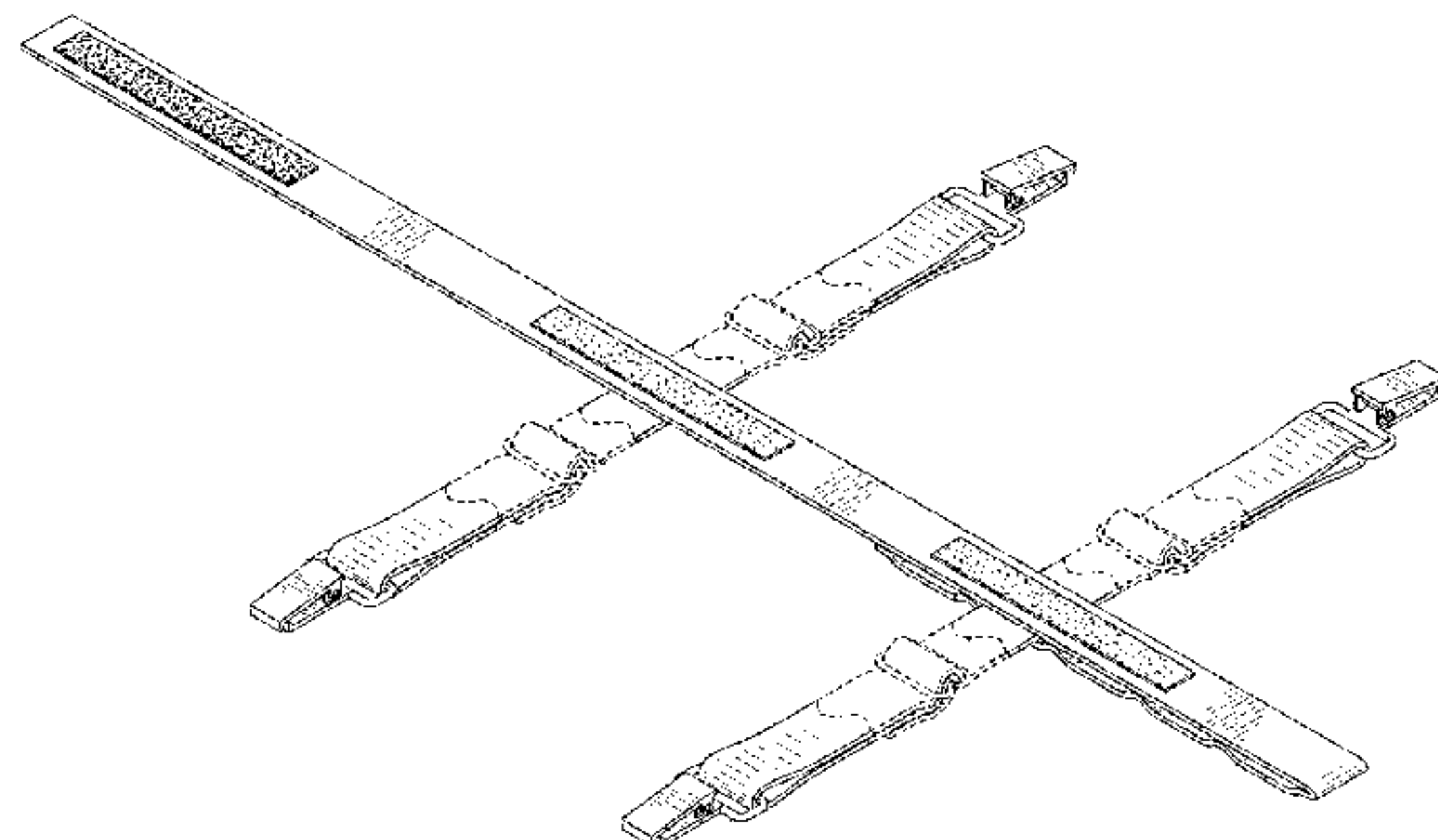
FIG. 8 is a top plan view thereof; and,

FIG. 9 is a top, rear, left side perspective thereof.

The broken lines in the drawings depict portions of the dog harness that form no part of the claimed design.

The drawings are shaded to indicate contrasting surfaces.

**1 Claim, 6 Drawing Sheets**



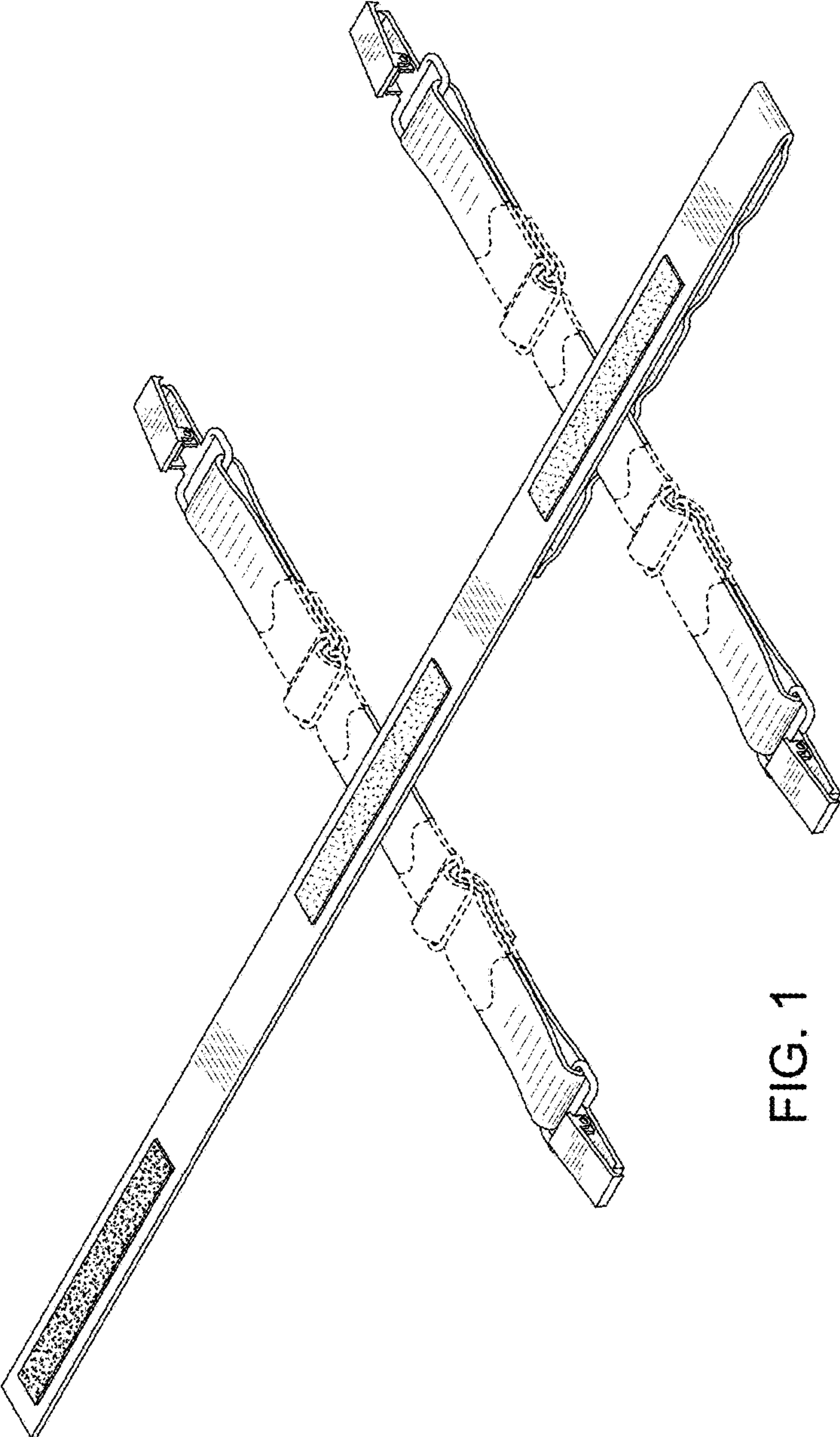


FIG. 1

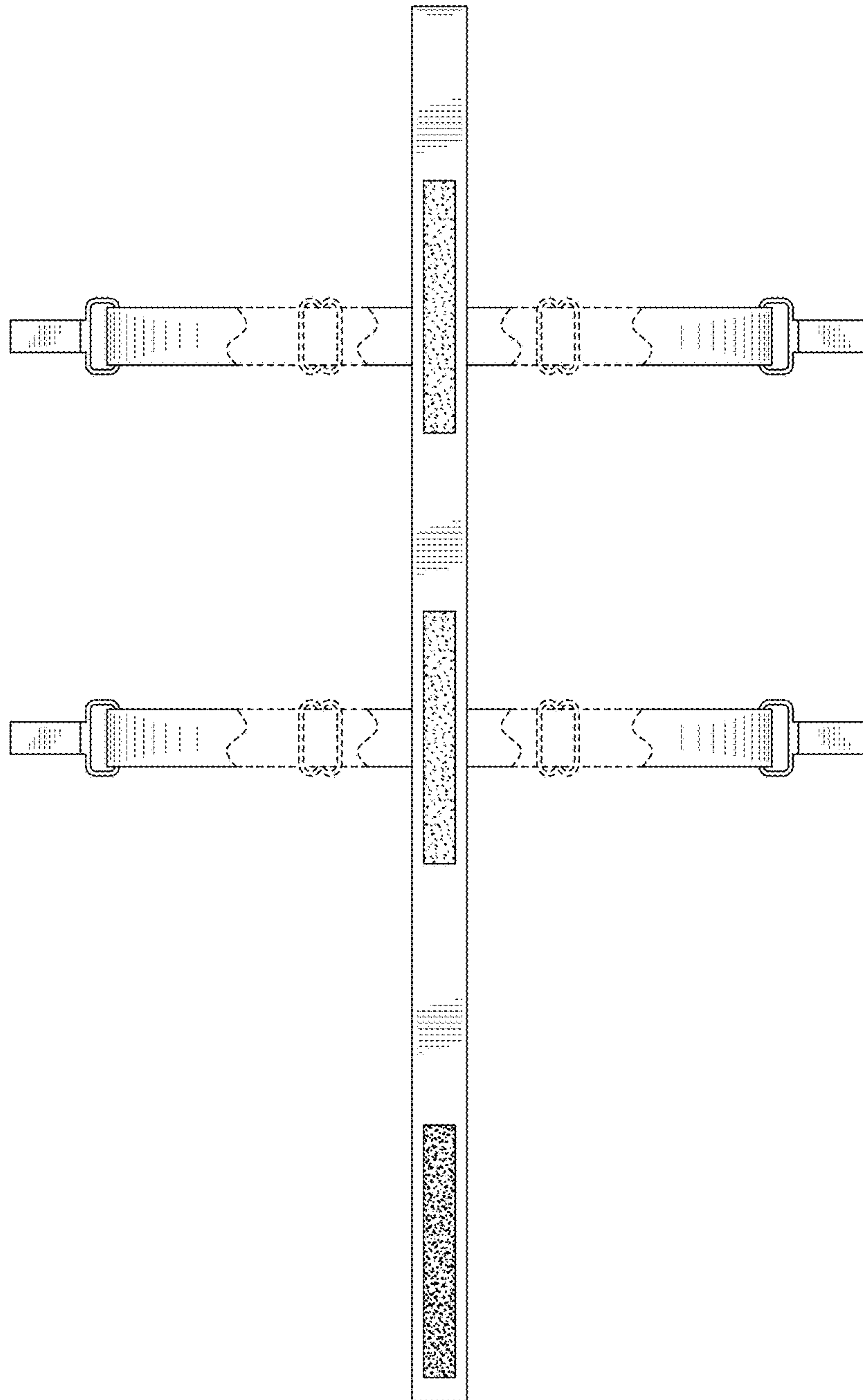


FIG. 2

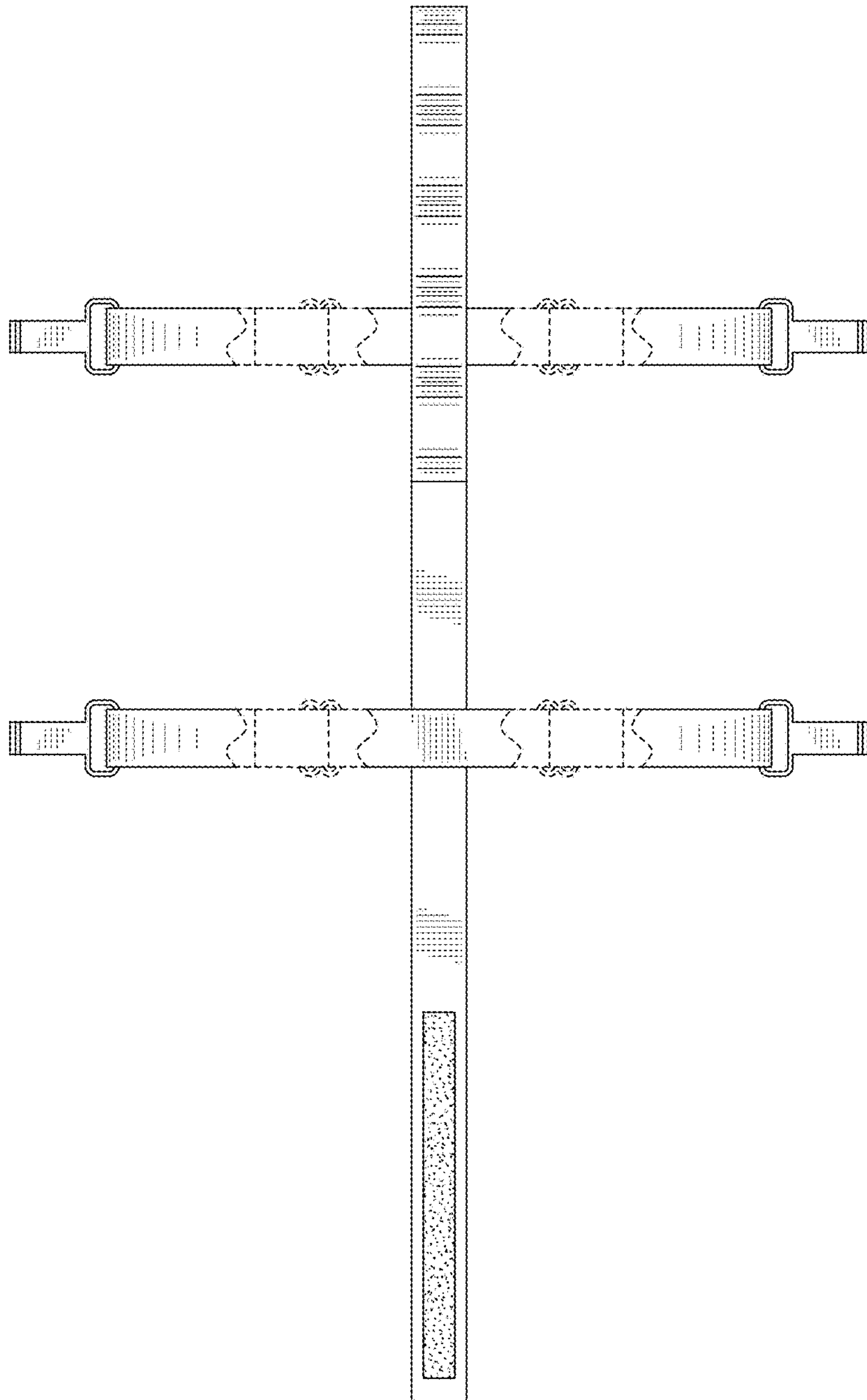


FIG. 3





FIG. 4



FIG. 5



FIG. 6

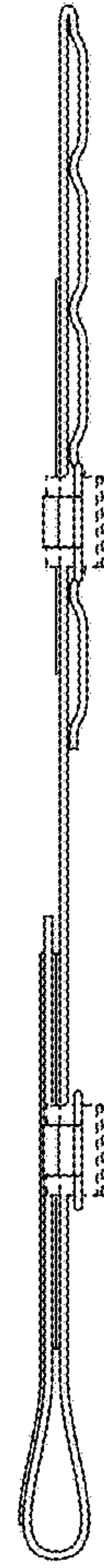


FIG. 7

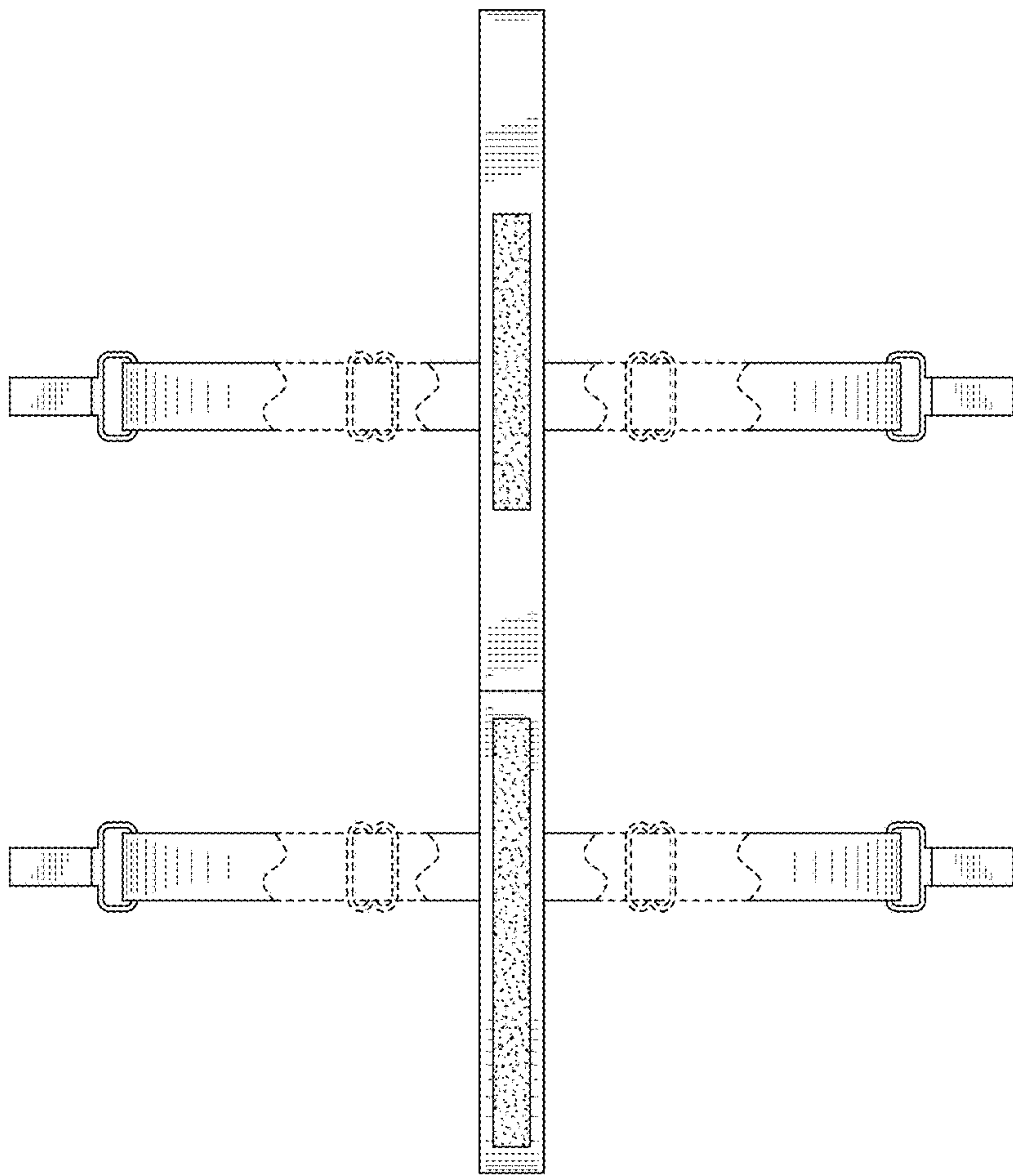


FIG. 8

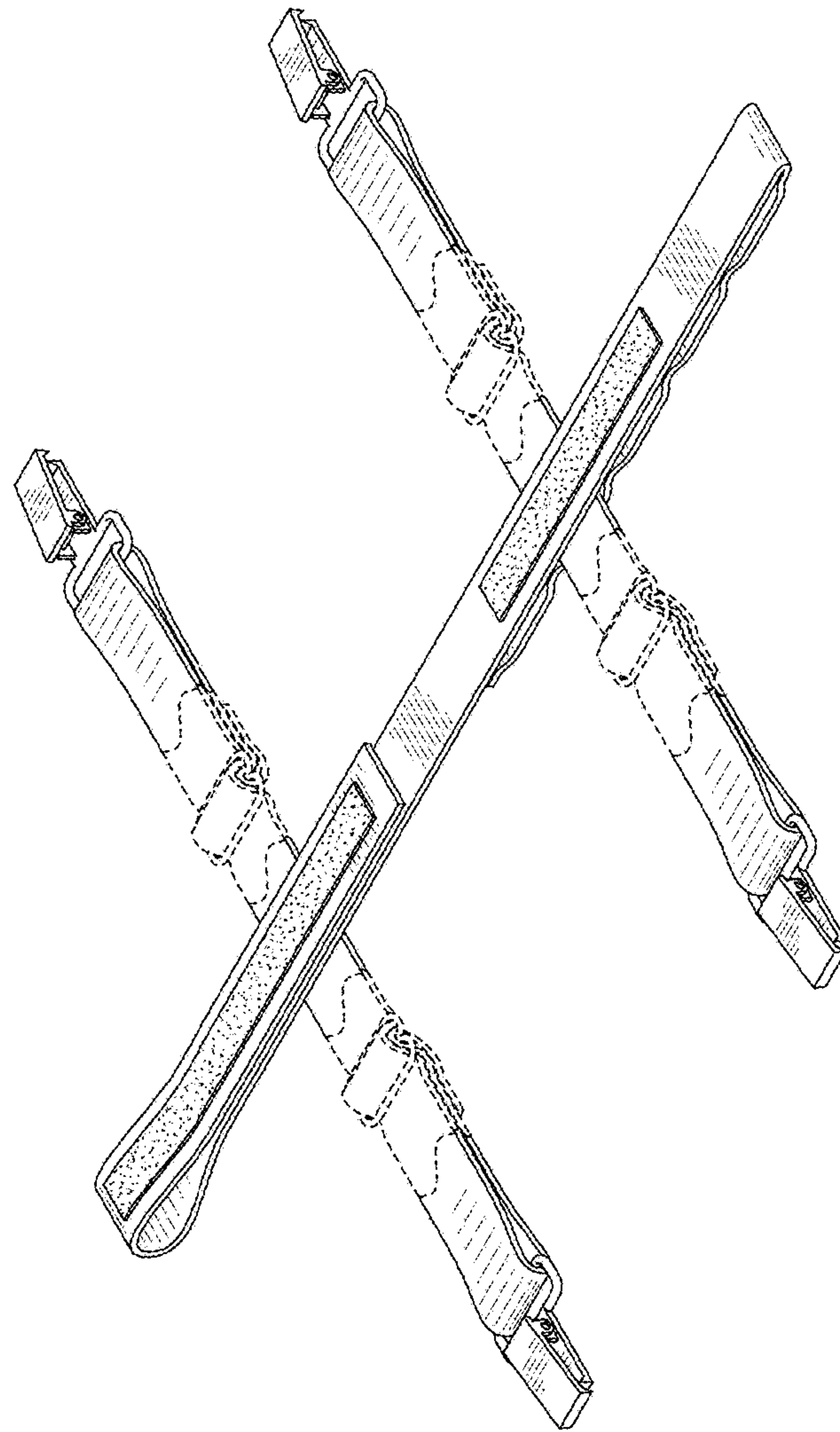


FIG. 9