



US00D861996S

(12) **United States Design Patent** (10) **Patent No.:** **US D861,996 S**
Axelrod et al. (45) **Date of Patent:** **** Oct. 1, 2019**

(54) **PET WASTE BAG HOLDER**
(71) Applicant: **FOUR PAWS PRODUCTS, LTD.**,
Neptune City, NJ (US)
(72) Inventors: **Glen S. Axelrod**, Colts Neck, NJ (US);
Ajay Gajria, Maharashtra (IN); **Jeffrey
Hellinger**, Bayville, NJ (US)
(73) Assignee: **FOUR PAWS PRODUCTS, LTD.**,
Neptune City, NJ (US)
(**) Term: **15 Years**
(21) Appl. No.: **29/602,111**
(22) Filed: **Apr. 28, 2017**
(51) **LOC (12) Cl.** **30-04**
(52) **U.S. Cl.**
USPC **D30/130; D6/518**
(58) **Field of Classification Search**
USPC D30/144, 151, 152, 153, 154, 160, 199;
D6/518; D21/732, 777; D3/215;
D8/107, 313
CPC A01K 27/008; A01K 23/005
See application file for complete search history.

(56) **References Cited**

U.S. PATENT DOCUMENTS

6,170,692 B1 * 1/2001 Johnston B65F 1/12
220/23.83
D471,005 S * 3/2003 Hastings D3/215
D544,155 S * 6/2007 Lamstein D30/158
D681,298 S * 4/2013 Strubin D34/1
D685,957 S * 7/2013 Schiffman D30/153
D739,158 S * 9/2015 Pan D6/518
D779,227 S * 2/2017 Abbott D6/518
2006/0118569 A1 * 6/2006 Edwards B65H 35/10
221/63
2008/0179902 A1 * 7/2008 Phillips E01H 1/1206
294/1.3

2012/0006284 A1 * 1/2012 Messner A01K 27/004
119/796
2012/0024925 A1 * 2/2012 Caldeira A45F 5/00
224/576
2017/0112103 A1 * 4/2017 Iles A01K 27/008
2018/0220624 A1 * 8/2018 Bussell A01K 27/008

OTHER PUBLICATIONS

“Four Paws Wee Wee Outdoor Eco Waste Bag Dispensers”. Found online Mar. 3, 2019 at petmountain.com. Page dated Mar. 3, 2019. Retrieved from https://www.petmountain.com/product/wee-wee-outdoor-eco-waste-bag-dispensers?gclid=CjwKCAiA8OjjBRB4EiwAMZe6yyNEy5onPlz0x60Gwfk6RbMq4GS5Yomv7pN_C-kaJpY6yd9vjPpl9xoCQFsQAvD_BwE.*
“Wonderwoof: Seven Dog Doo Bag Dispensers”. Found online Jan. 7, 2016 at wonderblog.squarespace.com. Page dated Sep. 22, 2014. Retrieved from http://wonderblog.squarespace.com/blog/2014/9/18/seven-dog-doo-bag-dispensers.*

* cited by examiner

Primary Examiner — Kendra Leslie Hamilton
(74) *Attorney, Agent, or Firm* — Grossman, Tucker, Perreault & Pflieger, PLLC

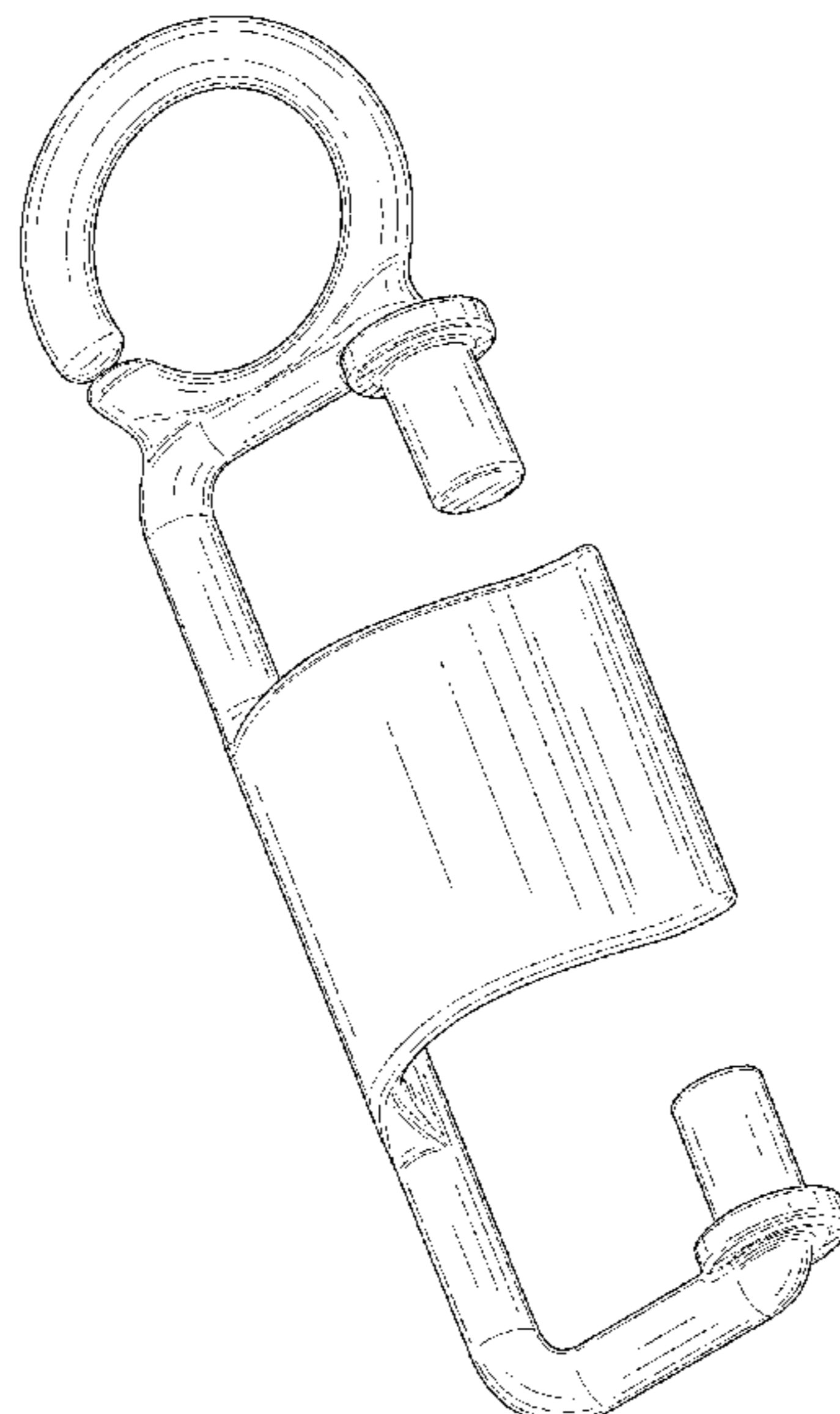
(57) **CLAIM**

The ornamental design for a pet waste bag holder, as shown.

DESCRIPTION

FIG. 1 is a front, bottom, left perspective view of a pet waste bag holder, showing our new design;
FIG. 2 is a front elevation view thereof;
FIG. 3 is a rear elevation view thereof;
FIG. 4 is a right side elevation view thereof;
FIG. 5 is a left side elevation view thereof;
FIG. 6 is a top plan view thereof; and,
FIG. 7 is a bottom plan view thereof.

1 Claim, 5 Drawing Sheets



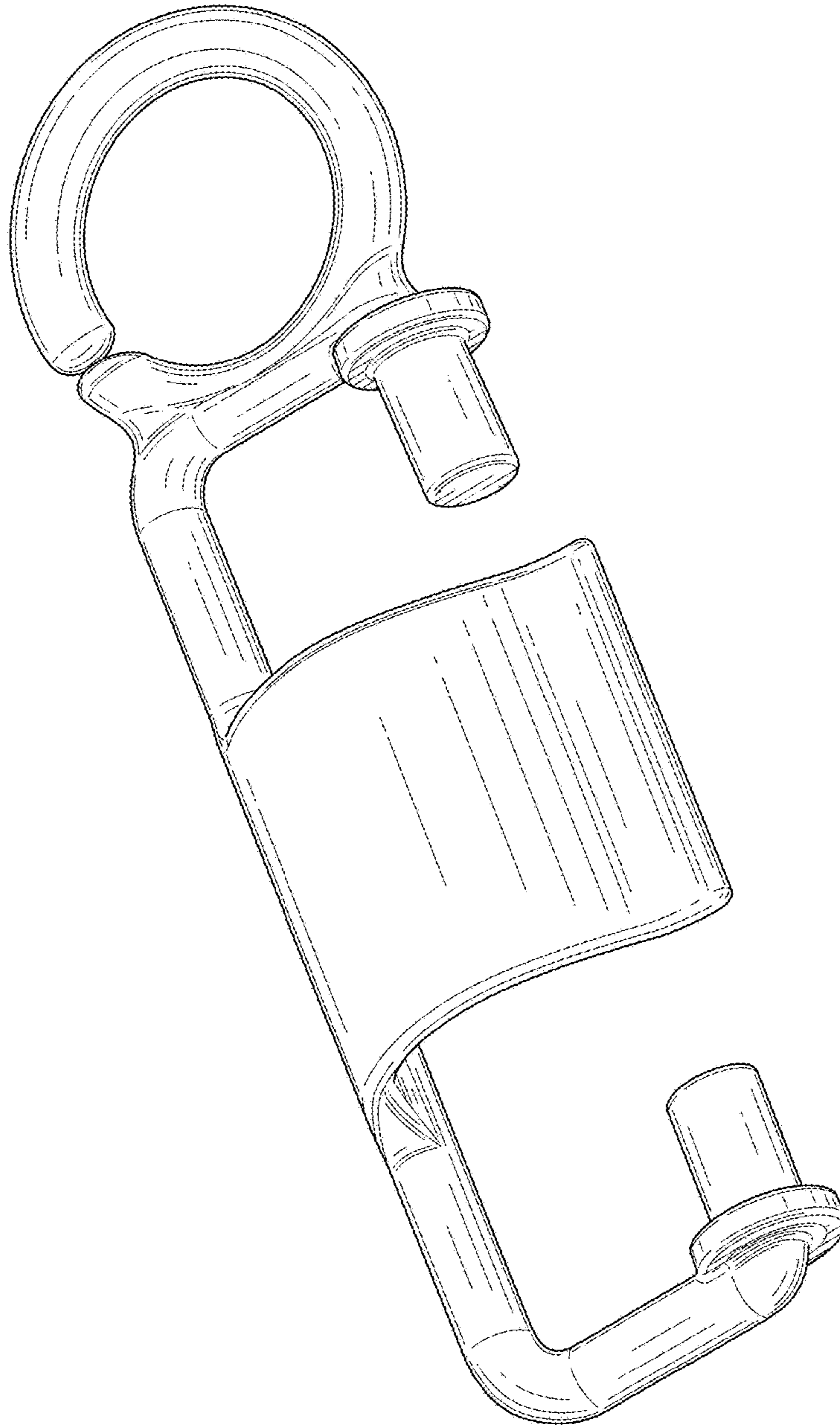


FIG. 1

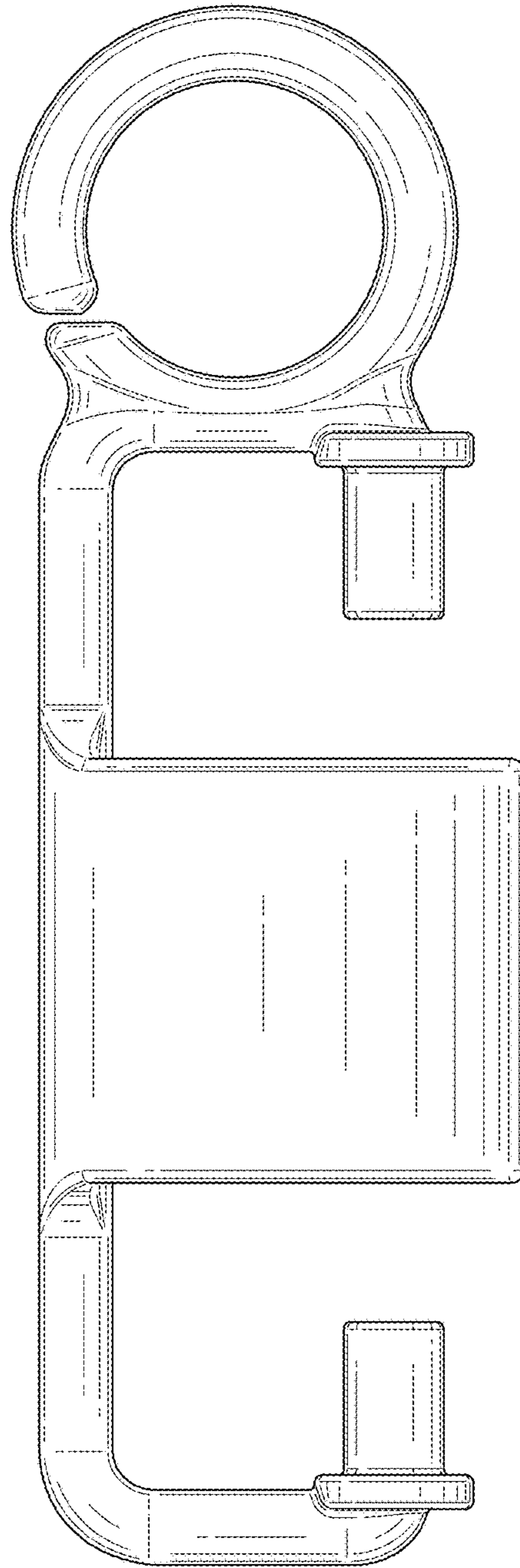


FIG. 2

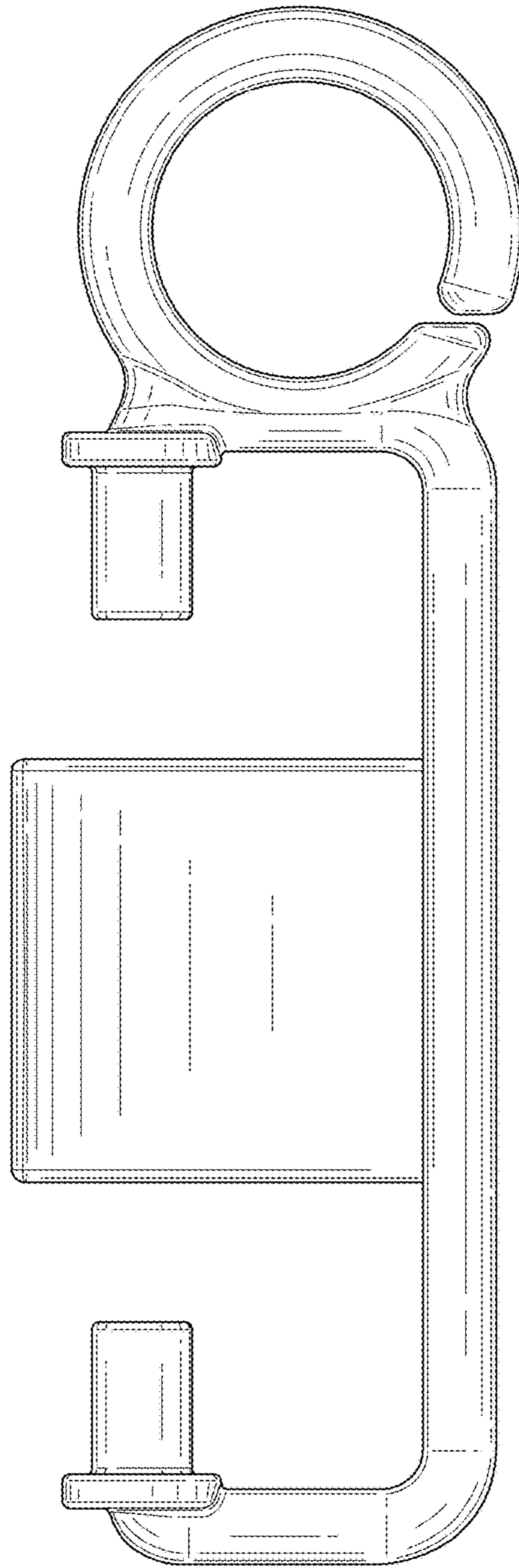


FIG. 3

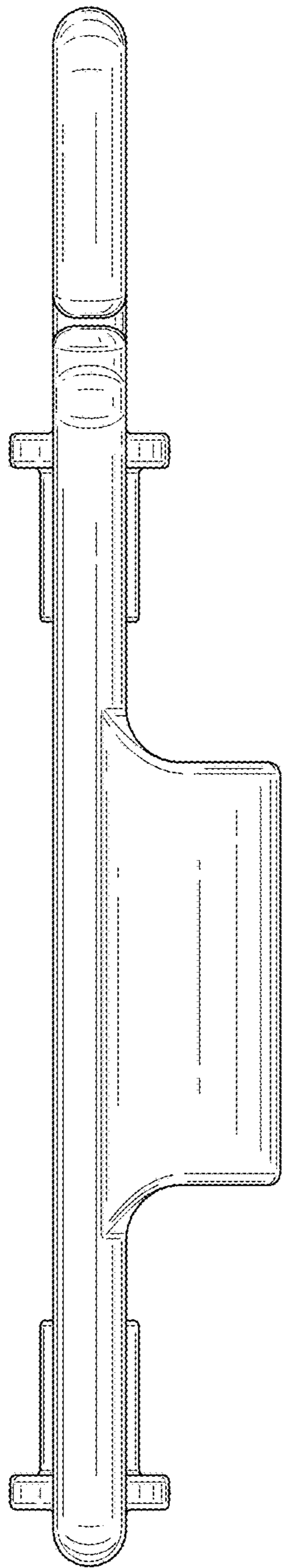


FIG. 4

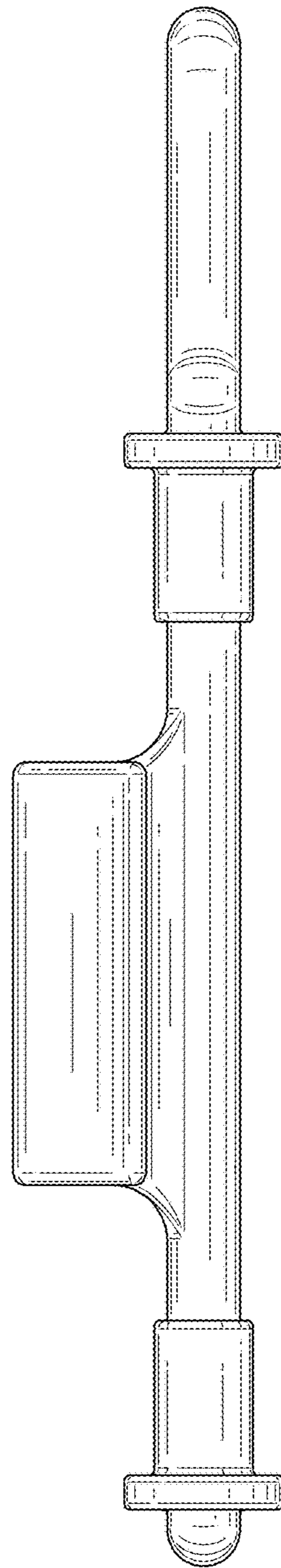


FIG. 5

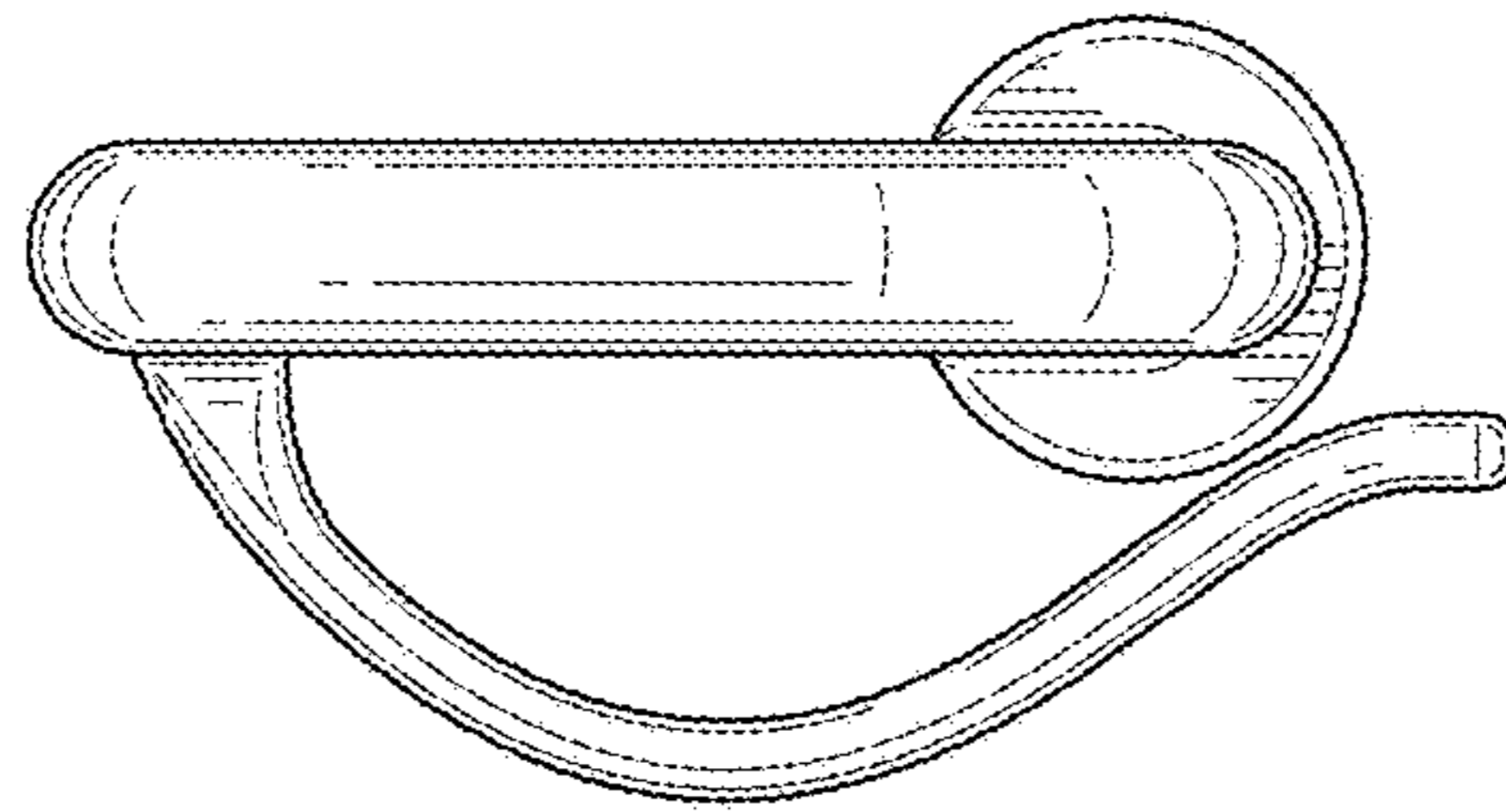


FIG. 6

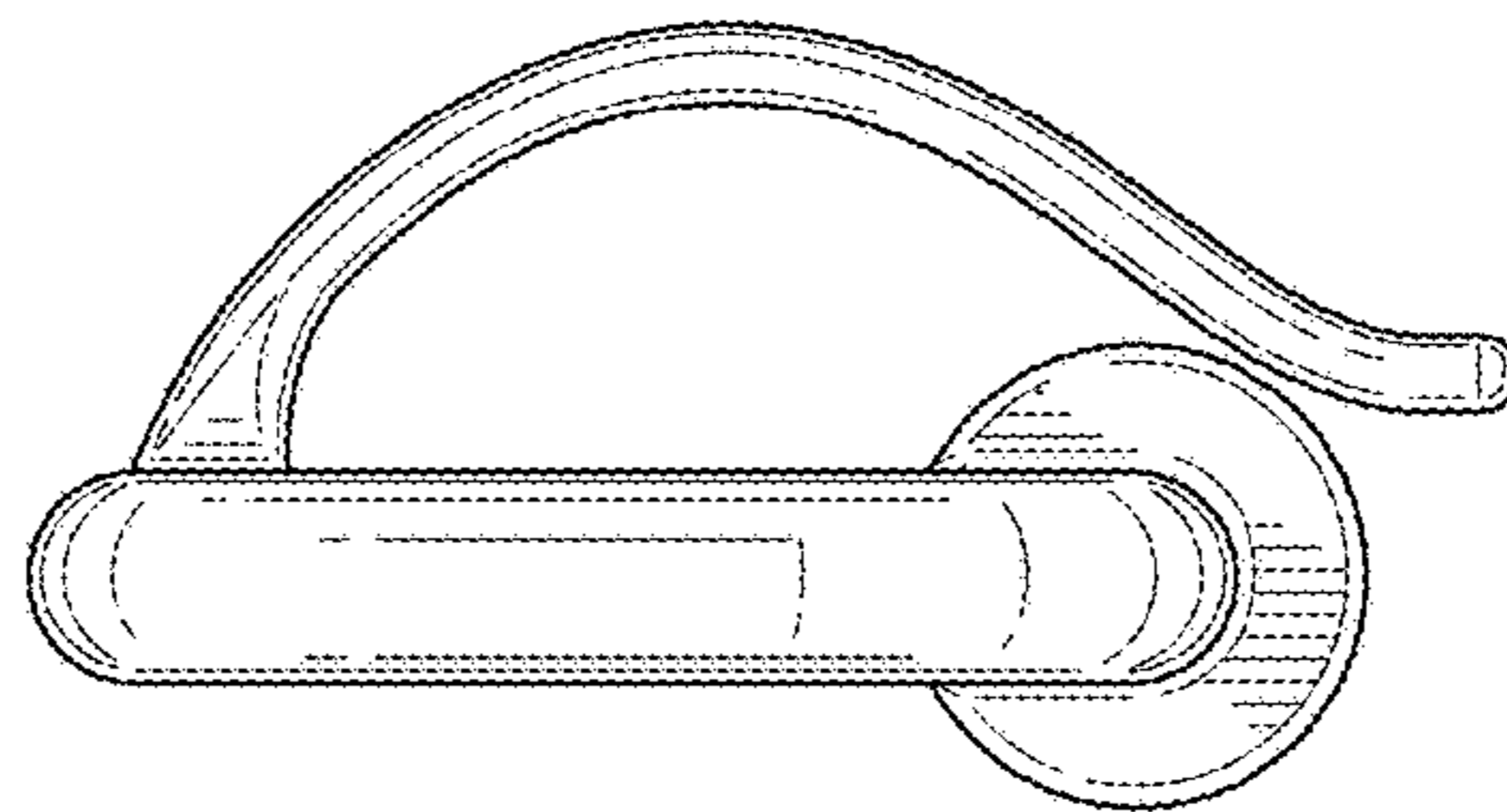


FIG. 7