



US00D861994S

(12) **United States Design Patent** (10) **Patent No.:** **US D861,994 S**
MacNeil et al. (45) **Date of Patent:** **** Oct. 1, 2019**

- (54) **PET RAMP PIER** 6,119,634 A 9/2000 Myrick
- (71) Applicant: **MacNeil IP LLC**, Bolingbrook, IL (US) 6,318,294 B1 11/2001 Richmond et al.
- (72) Inventors: **David F. MacNeil**, Fort Lauderdale, FL (US); **Frederick W. Masanek, Jr.**, Barrington, IL (US); **David S. Iverson**, Oak Brook, IL (US) 6,886,660 B2 5/2005 Sapatova
- (73) Assignee: **MACNEIL IP LLC**, Bolingbrook, IL (US) 7,302,914 B1 * 12/2007 Wehby A01K 1/033 119/482
- (**) Term: **15 Years** D558,473 S * 1/2008 Mendenhall D6/349
- (21) Appl. No.: **29/624,108** D640,015 S * 6/2011 Birck D30/119
- (22) Filed: **Oct. 30, 2017** D667,594 S * 9/2012 Valle D30/108
- Related U.S. Application Data 8,291,841 B2 * 10/2012 Correia de Castro B25H 1/0014 108/162
- (62) Division of application No. 29/560,231, filed on Apr. 4, 2016, now abandoned. D736,867 S * 8/2015 Glickfield D21/671
- (51) **LOC (12) Cl.** **30-02** D756,574 S 5/2016 Jakubowski et al.
- (52) **U.S. Cl.** **D30/119** (Continued)
- (58) **Field of Classification Search**
- USPC **D30/119**
- CPC **A01K 1/035**
- See application file for complete search history.
- (56) **References Cited**
- U.S. PATENT DOCUMENTS
- D322,872 S * 12/1991 Holbrook 119/28.5
- D353,029 S * 11/1994 Northrop D30/108
- D376,874 S 12/1996 Reyes, III
- D376,909 S 12/1996 Dickinson et al.
- 5,641,034 A * 6/1997 Calmeise A47C 12/00 182/17
- D382,676 S 8/1997 Holbrook
- D412,224 S * 7/1999 Adler D30/119

OTHER PUBLICATIONS

“Pet Gear Stramp Stair and Ramp Combination”. Found online Nov. 15, 2018 at amazon.com. Page dated Feb. 14, 2012. Retrieved from https://www.amazon.com/Pet-Gear-Step-Combination-supertraX/dp/B00618LLGK/ref=cm_cr_arp_d_product_top?ie=UTF8.*

(Continued)

Primary Examiner — Kendra Leslie Hamilton

(74) Attorney, Agent, or Firm — Perkins IP Law Group LLC; Jefferson Perkins

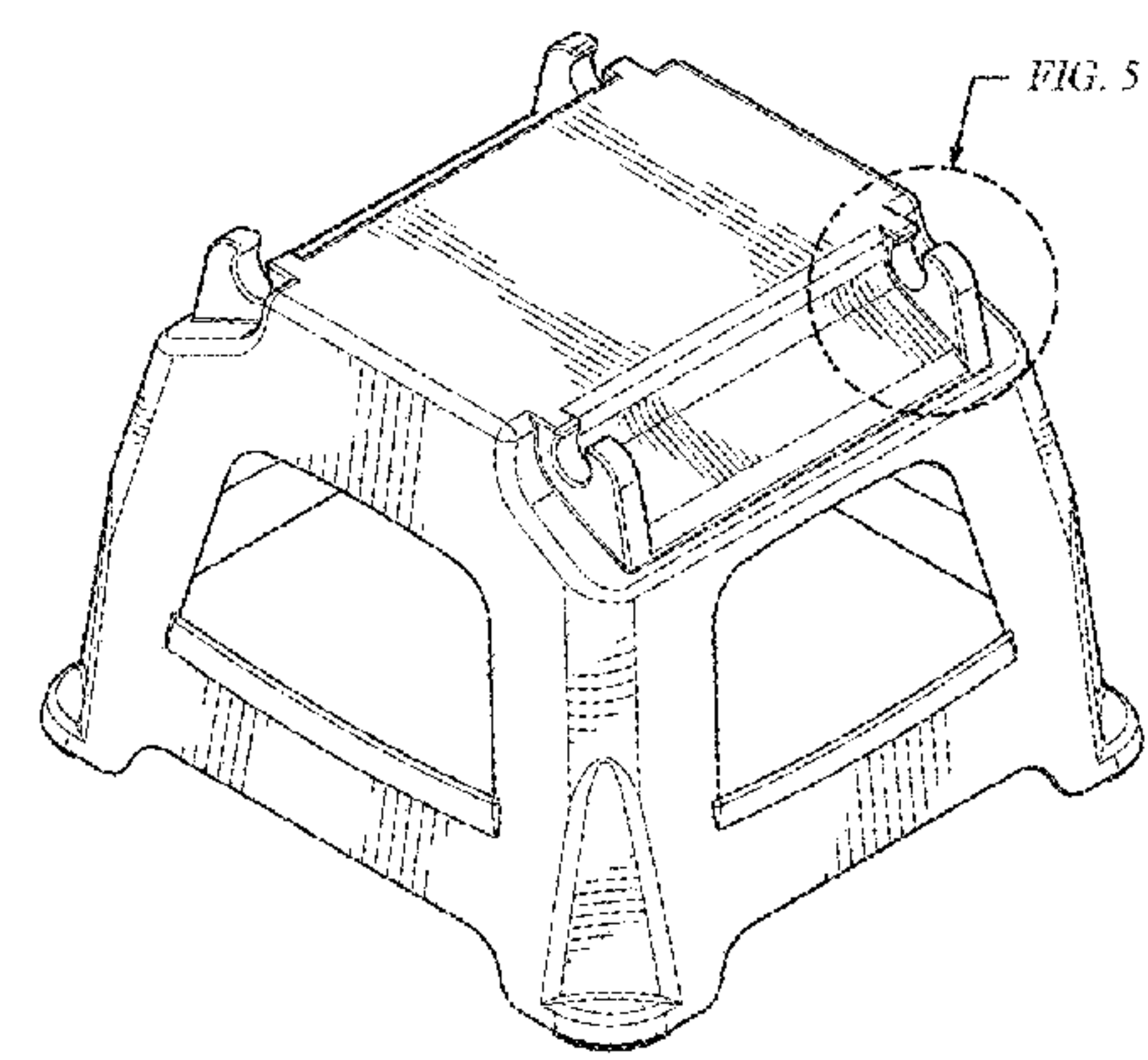
(57) **CLAIM**

We claim the ornamental design for a pet ramp pier, as shown and described.

DESCRIPTION

FIG. 1 is a top perspective view of our design; FIG. 2 is a top view of our design; FIG. 3 is a left side view of our design, a right side view being a mirror image of the left side view; FIG. 4 is a front view of our design, a rear view being a mirror image of the front view; and, FIG. 5 is a top perspective detail of FIG. 1. The bottom of the pier is unadorned and forms no portion of the claimed design.

1 Claim, 3 Drawing Sheets



(56)

References Cited

U.S. PATENT DOCUMENTS

D790,137 S * 6/2017 Scotti D30/120
9,775,326 B1 * 10/2017 MacNeil A01K 1/035
D802,227 S * 11/2017 Florey D30/118
2005/0115522 A1 6/2005 Bishop
2016/0302381 A1 10/2016 Asposito

OTHER PUBLICATIONS

“PetSTEP Original Folding Pet Ramp”. Found online Nov. 15, 2018 at amazon.com. Page dated Jul. 12, 2003. Retrieved from https://www.amazon.com/PetSTEP-Original-Folding-Ramp-Graphite/dp/B001AR7Yll/ref=cm_cr_arp_d_product_top?ie=UTF8.
“Internet’s Best Small Adjustable Pet Ramp”. Found online Nov. 15, 2018 at amazon.com. Page dated Oct. 24, 2017. Retrieved from [https://www.amazon.com/Internets-Best-Adjustable-Decorative-](https://www.amazon.com/Internets-Best-Adjustable-Decorative-Friendly/dp/B076H98PRK/ref=cm_cr_arp_d_product_top?ie=UTF8)

[Friendly/dp/B076H98PRK/ref=cm_cr_arp_d_product_top?ie=UTF8](https://www.amazon.com/Internets-Best-Adjustable-Decorative-Friendly/dp/B076H98PRK/ref=cm_cr_arp_d_product_top?ie=UTF8).*

“JW Pet Walk Up Small Animal Barn.” Found online Apr. 6, 2017 at amazon.com. Page dated Dec. 23, 2011. Retrieved from https://www.amazon.com/JW-Pet-Company-Animal-Assorted/dp/B003NTJOSS/ref=cm_cr_arp_d_product_top?ie=UTF8.

“Kaytee Woodland Get-A-Way Small Mouse House.” Found online Apr. 6, 2017 at amazon.com. Page dated Feb. 5, 2010. Retrieved from https://www.amazon.com/Kaytee-Woodland-Small-Mouse-House/dp/B0009WMQ7Y/ref=cm_cr_arp_d_product_top?ie=UTF8.

“Paw Climbers Pet Ramp for Beds.” Found online Jan. 19, 2017 at sears.com. Page dated Sep. 24, 2014. Retrieved from <http://web.archive.org/web/20140924003141/http://www.sears.com/paw-climbers-pet-ramp-for-beds/p-SPM9589744625?>

“Low Platform Pet Ramp.” Found online Jan. 19, 2017 at petclassics.com. Page dated Sep. 17, 2011. Retrieved from <http://web.archive.org/web/20110917150034/http://www.petclassics.com/Sofa-Ramps-For-Pets/low-plafform-pet-ramp.74.html>.

* cited by examiner

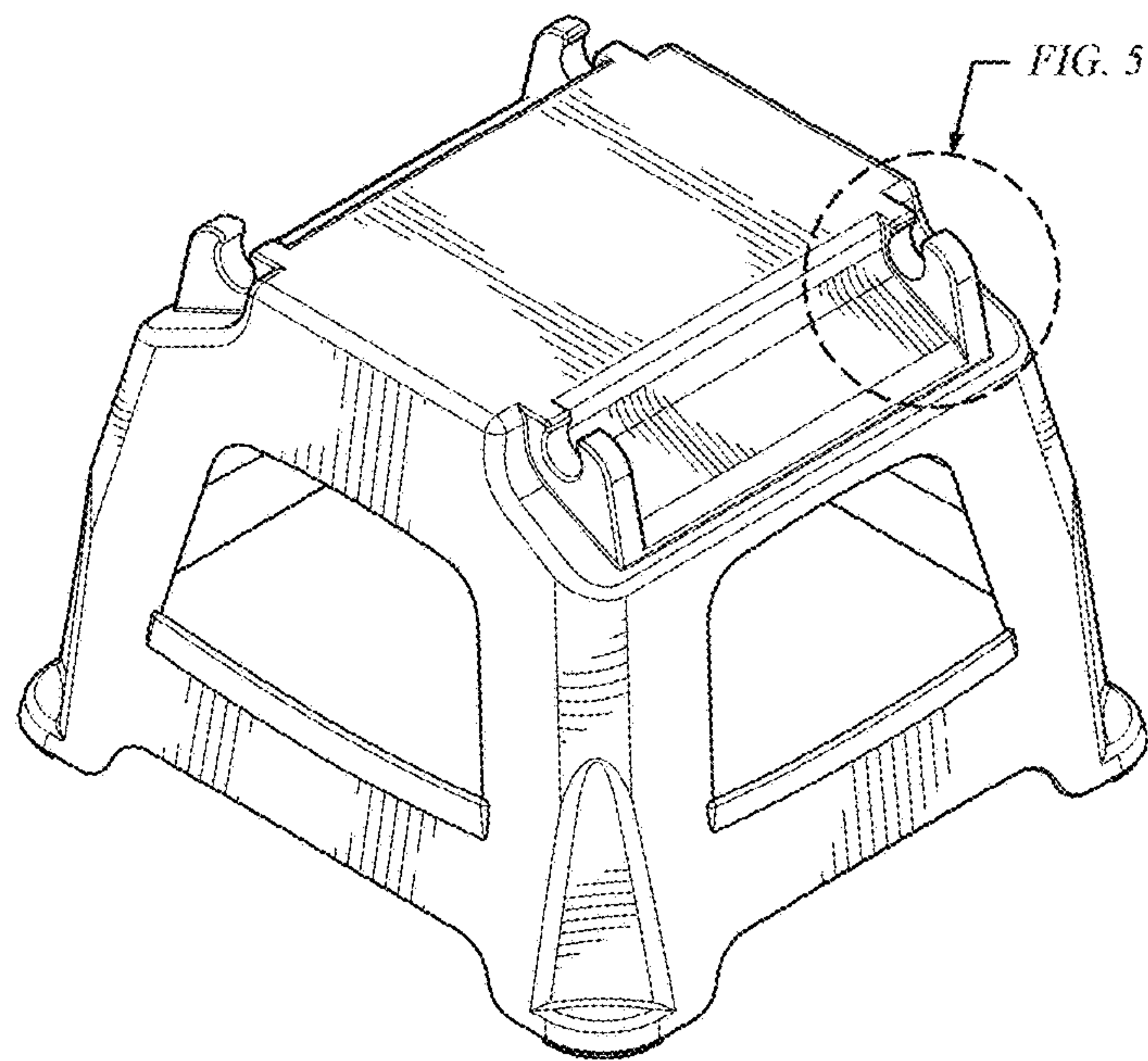


FIG. 1

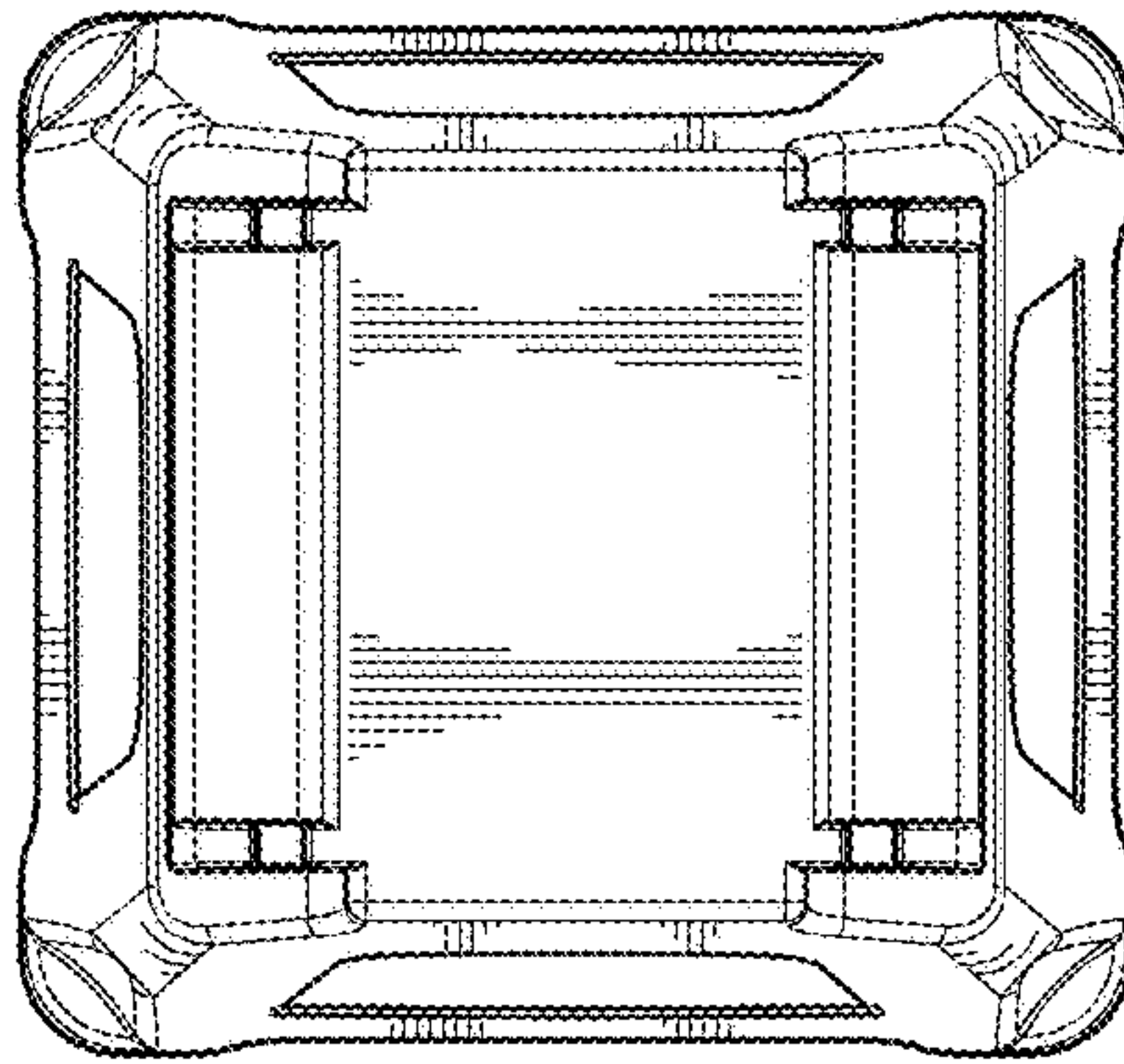


FIG. 2

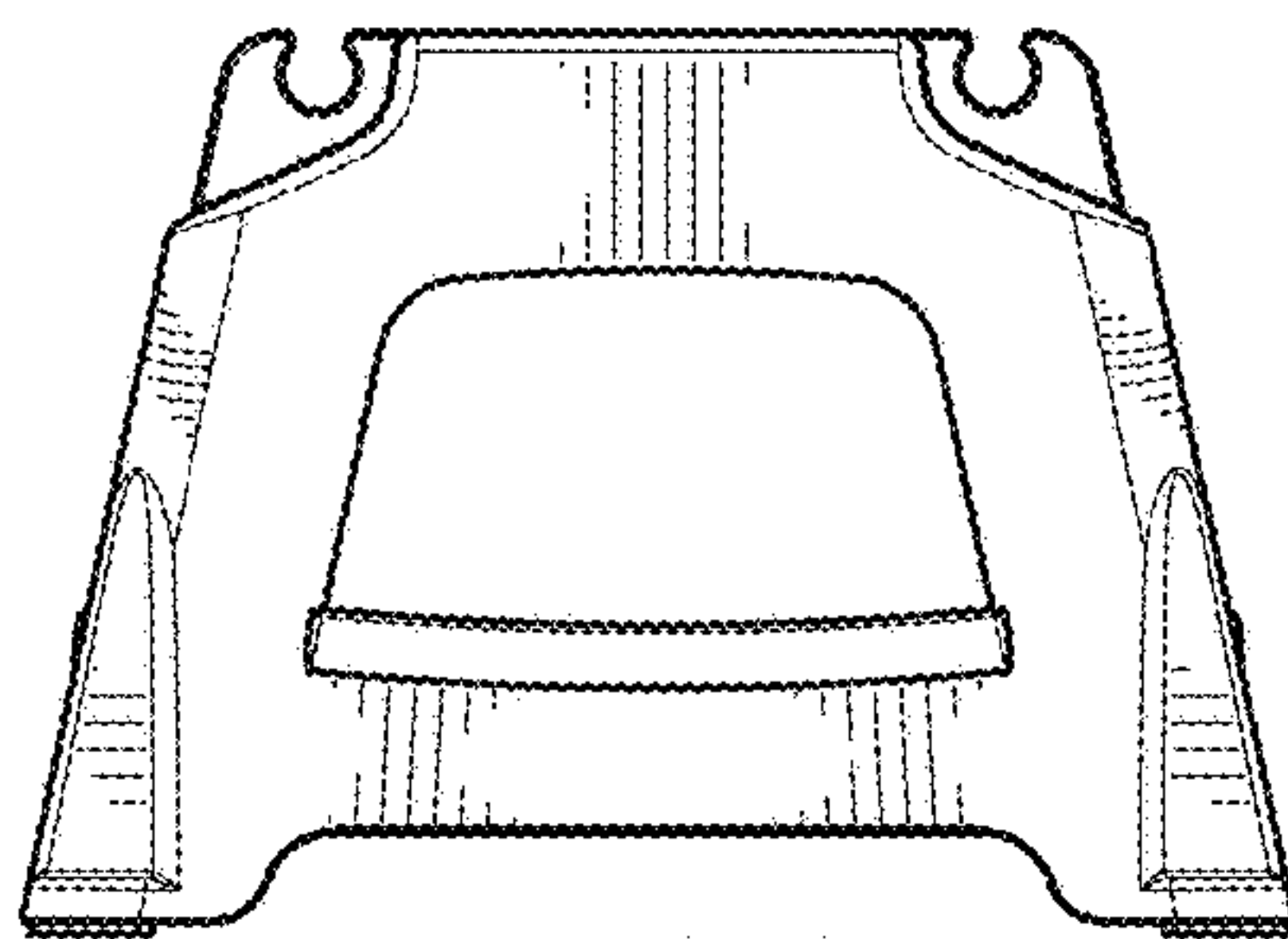


FIG. 3

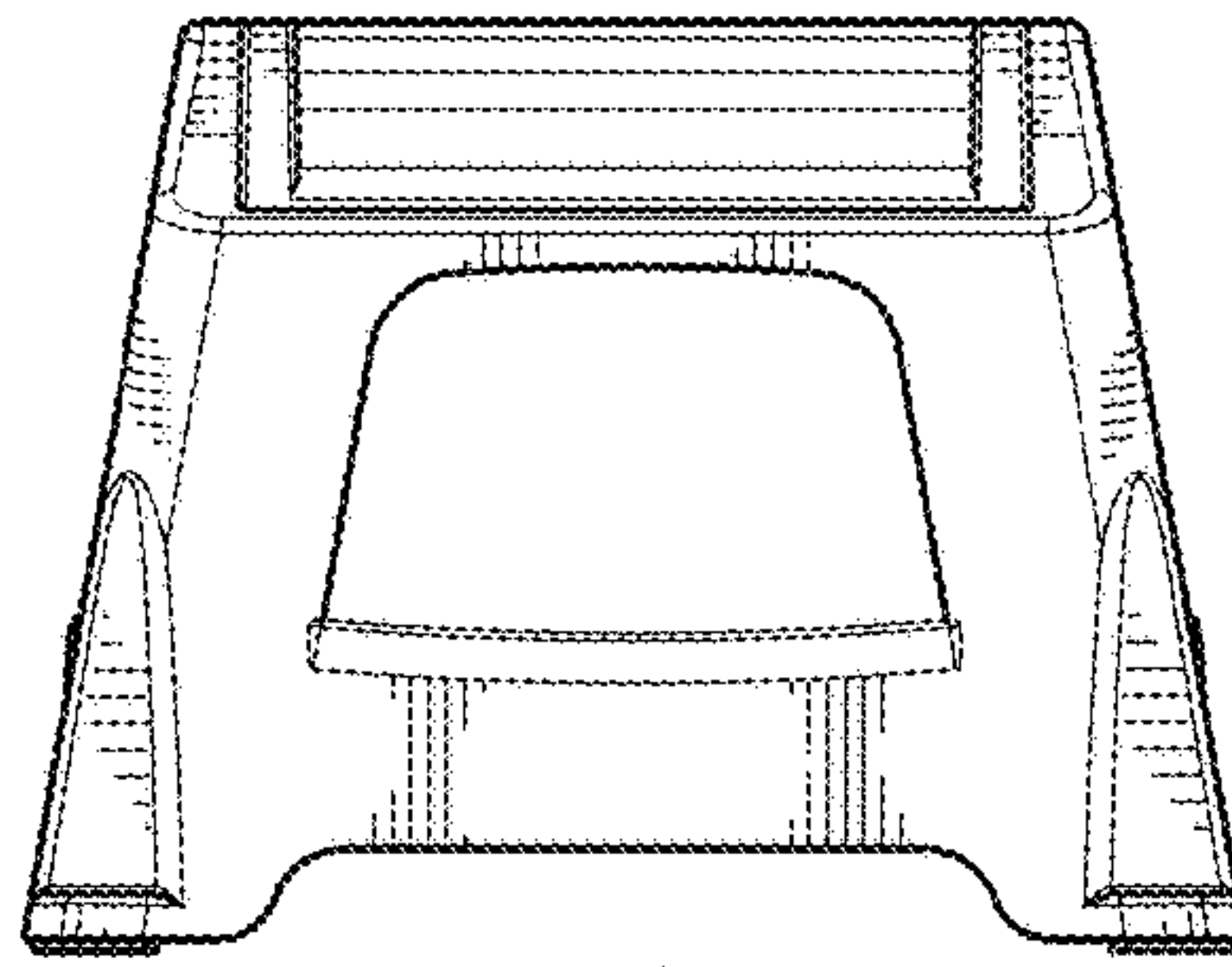


FIG. 4

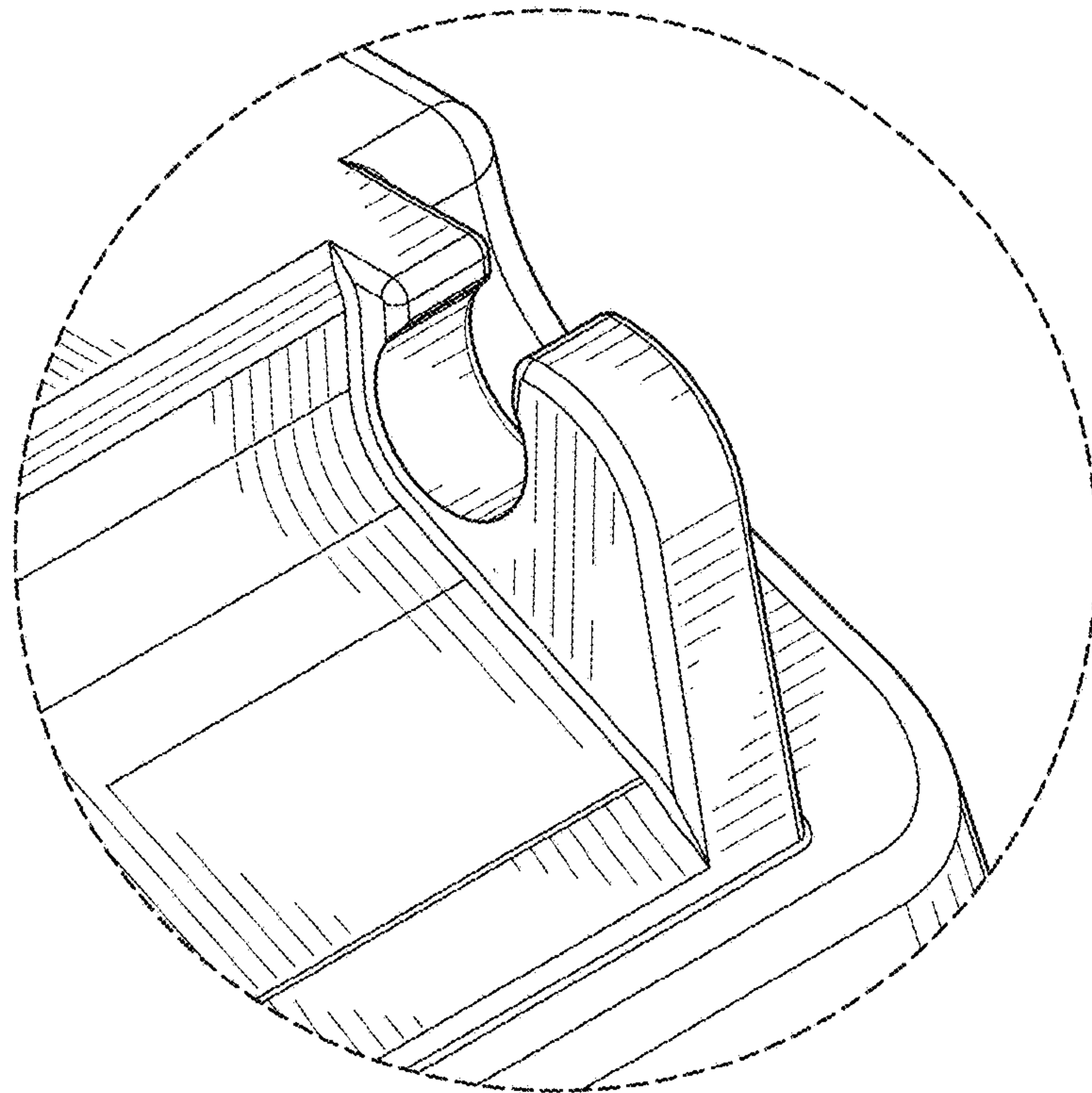


FIG. 5