



US00D861992S

(12) **United States Design Patent** (10) **Patent No.:** **US D861,992 S**
Staab et al. (45) **Date of Patent:** **** Oct. 1, 2019**

(54) **COSMETIC COMPACT**

FOREIGN PATENT DOCUMENTS

(71) Applicant: **Mary Kay Inc.**, Addison, TX (US)
(72) Inventors: **Jenny DeMarco Staab**, Addison, TX (US); **Alexa Hanna**, Addison, TX (US)

CN 303665659 S 5/1916
CN 303687187 S 6/1916
(Continued)

(73) Assignee: **Mary Kay Inc.**, Addison, TX (US)

OTHER PUBLICATIONS

(**) Term: **15 Years**

L'oreal Paris Compact, uploaded Sep. 29, 2016, <https://makeupandbeauty.com/loreal-paris-colour-riche-la-palette-pink-lip-palette-review/>.*

(21) Appl. No.: **29/663,262**

(Continued)

(22) Filed: **Sep. 13, 2018**

Primary Examiner — Jennifer Rivard

Related U.S. Application Data

(74) *Attorney, Agent, or Firm* — Norton Rose Fulbright US LLP

(62) Division of application No. 29/627,401, filed on Nov. 27, 2017, now abandoned.

(51) **LOC (12) Cl.** **28-03**

(57) **CLAIM**

(52) **U.S. Cl.**
USPC **D28/83**

The ornamental design for a cosmetic compact, as shown and described.

(58) **Field of Classification Search**
USPC D28/73-75, 76-84
CPC A45D 44/18; A45D 33/00; A45D 33/18;
A45D 33/22; A45D 33/24; A45D 33/26;
A45D 40/00; A45D 40/22-221; A45D
40/24; A45D 2200/05-053; A45D
2200/25; A45D 2040/223

DESCRIPTION

See application file for complete search history.

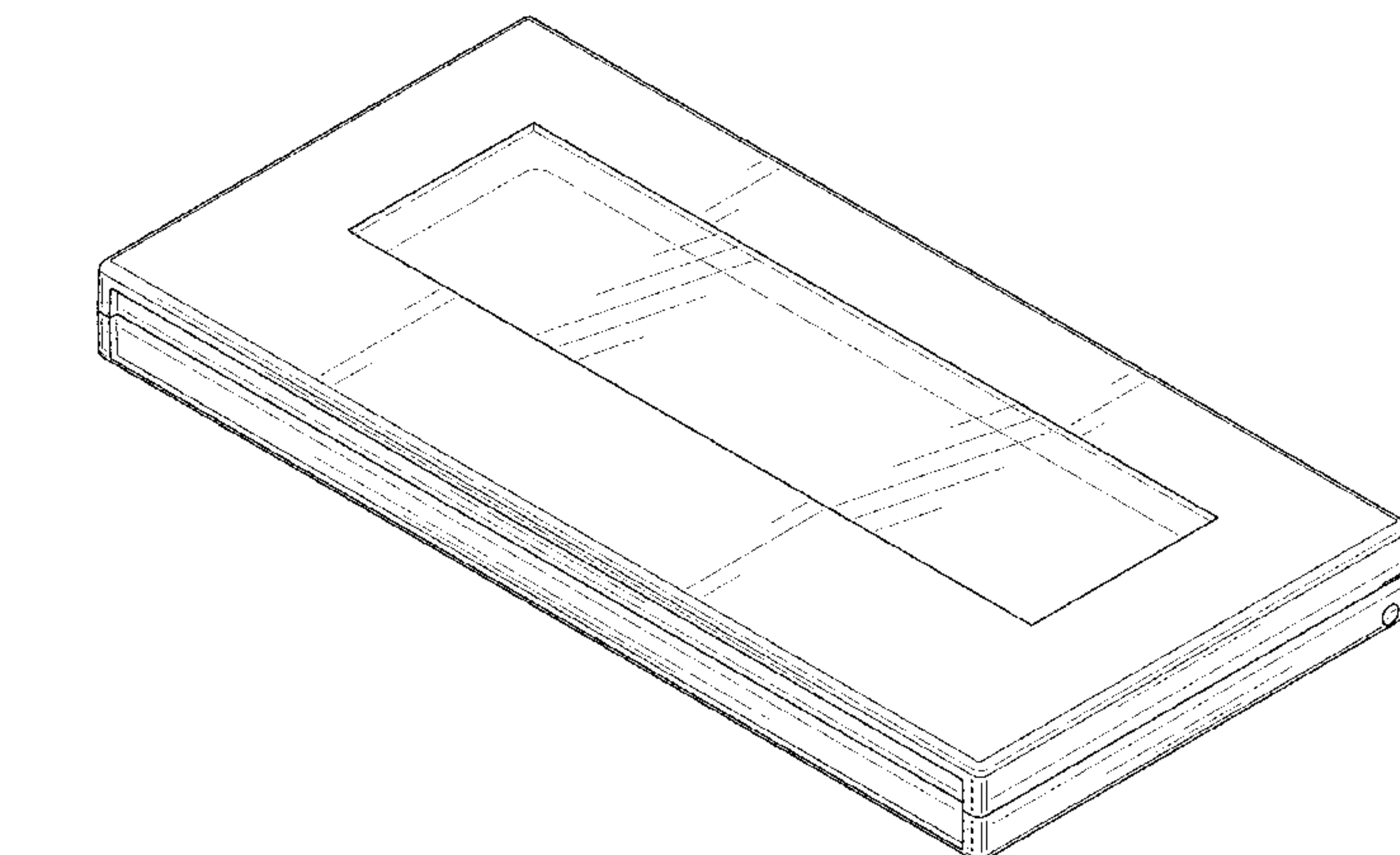
FIG. 1 is a top perspective view of a first embodiment of a cosmetic compact in a closed position;
FIG. 2 is a front view of the cosmetic compact shown in FIG. 1;
FIG. 3 is a back view of the cosmetic compact shown in FIG. 1;
FIG. 4 is a left side view of the cosmetic compact shown in FIG. 1;
FIG. 5 is a right side view of the cosmetic compact shown in FIG. 1;
FIG. 6 is a top view of the cosmetic compact shown in FIG. 1;
FIG. 7 is a bottom view of the cosmetic compact shown in FIG. 1; and,
FIG. 8 is a bottom perspective view of the cosmetic compact shown in FIG. 1.

(56) **References Cited**

U.S. PATENT DOCUMENTS

1,414,899 A 5/1922 Sabatelli
1,502,013 A 7/1924 Benois
1,632,864 A 6/1927 Weber
1,682,534 A * 8/1928 Martinat A45D 40/22
132/297
1,694,702 A 12/1928 Deitel
1,778,522 A 10/1930 Deitel
1,830,665 A 11/1931 Lessing
1,851,462 A 3/1932 Stellar
1,919,486 A 7/1933 Storch

1 Claim, 6 Drawing Sheets



(56)

References Cited

U.S. PATENT DOCUMENTS

D112,651 S	12/1938	Barnhart	D424,245 S	5/2000	Stoecker
2,161,715 A	6/1939	MacDonald	D428,208 S	7/2000	Nodarse
2,196,801 A	4/1940	Kreisler	D428,210 S	7/2000	Gavin
2,415,357 A	2/1947	Kucki	D428,211 S	7/2000	Gavin
2,421,646 A	6/1947	Pepin	D433,539 S	11/2000	Gavin
3,911,936 A	10/1975	Kingsford	D433,773 S	11/2000	Gavin
D252,891 S	9/1979	Stutzer	D434,189 S	11/2000	Gavin
D262,151 S	12/1981	Sussman	D434,875 S	12/2000	Gavin
D263,634 S	3/1982	Ballereaud	6,227,208 B1	5/2001	Imbert
D270,387 S	8/1983	Rutherford	D446,608 S	8/2001	Goswell
4,421,127 A	12/1983	Geer	D453,859 S	2/2002	Spearman
D277,422 S	1/1985	Bakic	D457,687 S	5/2002	Millar
D279,225 S	6/1985	Chevassus	D465,305 S	11/2002	Thorpe et al.
D280,244 S	8/1985	Buchet	D468,868 S	1/2003	Thorpe et al.
D280,852 S	10/1985	Bakic	D469,223 S	1/2003	Thorpe et al.
D280,853 S	10/1985	Bakic	D475,810 S	6/2003	Lai
D281,731 S	12/1985	Phu	D475,811 S	6/2003	Bontempo
4,589,430 A	5/1986	Sussman	D477,895 S	7/2003	Goswell
D291,608 S	8/1987	Chevassus	D478,397 S	8/2003	Bakic
D291,609 S	8/1987	Bakic	D480,837 S	10/2003	Liu
D292,626 S	11/1987	Chevassus	D491,315 S	6/2004	Dittmer et al.
D293,612 S	1/1988	Bulwik	D493,919 S	8/2004	Beilman
D293,724 S	1/1988	Kingsford et al.	D496,133 S	9/2004	Dittmer et al.
D295,452 S	4/1988	Bakic	D496,134 S	9/2004	Lai
D301,124 S	5/1989	Bakic	D503,245 S	3/2005	Vanoncini
D301,642 S	6/1989	Bakic	D505,752 S	5/2005	Martinez
D302,604 S	8/1989	Bakic	D511,025 S	10/2005	Martinez
D303,582 S	9/1989	Gavin	D511,224 S	11/2005	Martinez
D303,583 S	9/1989	Bakic	D512,533 S	12/2005	Martinez
4,863,034 A	9/1989	Contreras, Sr.	D518,603 S	4/2006	Dittmer et al.
D305,164 S	12/1989	Hall	7,117,874 B2	10/2006	Gubernick
D307,335 S	4/1990	Scalamandre et al.	D552,797 S	10/2007	Kuethe et al.
D307,810 S	5/1990	Gavin	D553,799 S	10/2007	Williams
4,951,692 A	8/1990	Yuhara et al.	D554,804 S	11/2007	Bernard
D310,735 S	9/1990	Ferrari	D561,944 S	2/2008	Ashiwa et al.
D314,448 S	2/1991	Bakic	D564,707 S	3/2008	Barresi
D316,462 S	4/1991	Restrepo	7,410,073 B2	8/2008	Yuhara
5,005,697 A	4/1991	Jimbo et al.	D576,354 S	9/2008	Dominski et al.
D316,763 S	5/1991	Ferrari	7,451,887 B2	11/2008	Kobayashi et al.
D321,415 S	11/1991	Chen	D595,455 S	6/2009	Nagasaki
D321,416 S	11/1991	Bakic	D595,900 S	7/2009	Yamamoto
D322,692 S	12/1991	Trabattoni	D596,354 S	7/2009	Yamamoto
D322,865 S	12/1991	Favre	D597,256 S	7/2009	Liden
D324,587 S	3/1992	Di Nuccio	D600,857 S	9/2009	Maddy et al.
5,092,354 A	3/1992	Pacelli, Jr.	D601,757 S	10/2009	Sagel
D326,226 S	5/1992	Gerhart	D603,564 S	11/2009	Liden
5,161,556 A	11/1992	Audebourg et al.	D611,657 S	3/2010	Maddy et al.
D332,328 S	1/1993	Lombardi, Jr.	D621,548 S	8/2010	Chen
D338,279 S	8/1993	Davis	D626,290 S	10/2010	Ohmoto et al.
D339,883 S	9/1993	Madar	7,810,644 B2	10/2010	Fraillon
D345,622 S	3/1994	Byars et al.	D626,694 S	11/2010	Ha
D345,826 S	4/1994	Byars et al.	D629,201 S	12/2010	Demarco
D347,089 S	5/1994	Byars et al.	7,849,863 B2	12/2010	Corbellini
D351,049 S	9/1994	Schlueter	D631,609 S	1/2011	Lai
D352,601 S	11/1994	Dallaire	D631,610 S	1/2011	Barresi et al.
D355,730 S	2/1995	Chen	D632,016 S	2/2011	Lee
5,437,294 A	8/1995	Ebbets, III et al.	7,909,205 B2	3/2011	Moon
D365,892 S	1/1996	Markham	D636,534 S	4/2011	Lai
5,638,838 A	6/1997	Lombardi	D638,582 S	5/2011	Ohmoto et al.
5,655,553 A	8/1997	Giese et al.	D642,743 S	8/2011	Shteysel
5,682,910 A	11/1997	Kizawa	D643,155 S	8/2011	Ohmoto et al.
5,713,471 A	2/1998	Gueret	D645,617 S	9/2011	Mandavi
D397,831 S	9/1998	Stoecker	D653,397 S	1/2012	De Lima Paschoal et al.
5,813,420 A	9/1998	Sussman	D655,045 S	2/2012	Paschoal et al.
D401,017 S	11/1998	Thorpe	D655,046 S	2/2012	Nakamura
D404,532 S	1/1999	Castagna	D655,865 S	3/2012	Villarreal et al.
D404,533 S	1/1999	Morgan	D655,866 S	3/2012	Villarreal et al.
D407,853 S	4/1999	Morgan	8,215,320 B2	7/2012	Prague et al.
D407,855 S	4/1999	Orsomando	D682,474 S	5/2013	Owen et al.
D407,856 S	4/1999	Orsomando	D682,475 S	5/2013	Owen et al.
D409,801 S	5/1999	Kim	D687,186 S	7/2013	Lai
D411,767 S	7/1999	Keller	D687,187 S	7/2013	Lai
D412,602 S	8/1999	Bakic	D687,188 S	7/2013	Lai
D422,120 S	3/2000	Orsomando	D687,603 S	8/2013	Chen et al.
D422,753 S	4/2000	Einarson	D688,008 S	8/2013	Fama
			D688,831 S	8/2013	Giardina
			8,573,233 B2	11/2013	Chen
			8,590,545 B2	11/2013	Won
			D709,651 S	7/2014	Gaito

(56)

References Cited

FOREIGN PATENT DOCUMENTS

U.S. PATENT DOCUMENTS

8,770,209 B2 7/2014 Kim et al.
 8,807,209 B2 8/2014 Sobol
 D718,499 S 11/2014 Pourmehr
 D718,500 S 11/2014 Pourmehr
 D718,904 S 12/2014 Parker
 D718,905 S 12/2014 Matsuishi et al.
 D718,906 S 12/2014 Matsuishi
 D719,301 S 12/2014 Parker
 D720,501 S 12/2014 Pourmehr
 D721,854 S 1/2015 Parker
 D721,855 S 1/2015 Lavigne
 D721,856 S 1/2015 Villarreal et al.
 D722,205 S 2/2015 Parker
 D722,406 S 2/2015 Greenfield
 D722,724 S 2/2015 Guor
 D722,725 S 2/2015 Jin
 D723,218 S 2/2015 Goswell
 D723,219 S 2/2015 Goswell
 D723,220 S 2/2015 Guor
 D723,742 S 3/2015 Shteyssel
 D724,785 S 3/2015 Frederick
 D730,581 S 5/2015 Hwang
 D736,468 S 8/2015 Goswell
 9,237,792 B2* 1/2016 Sasaki A45D 40/222
 D753,882 S 4/2016 Chertoff et al.
 D768,335 S 10/2016 Parker
 D768,935 S 10/2016 Parker
 D779,736 S 2/2017 Hansen
 D790,134 S 6/2017 Shteyssel et al.
 9,693,618 B2 7/2017 Shasteen et al.
 D806,532 S 1/2018 Richmond
 D825,110 S* 8/2018 Percassi D28/83
 D836,842 S* 12/2018 Staab D28/83
 D837,453 S* 1/2019 Angles-D'Auriac D28/83
 2004/0040570 A1 3/2004 Shih
 2005/0011895 A1 1/2005 Lin
 2005/0199571 A1 9/2005 Geisler et al.
 2005/0231835 A1 10/2005 Tokushita et al.
 2006/0027481 A1 2/2006 Gelardi et al.
 2006/0112966 A1 6/2006 Phue
 2006/0188850 A1 8/2006 Mills
 2006/0226164 A1 10/2006 Graham
 2007/0246060 A1 10/2007 Yuhara et al.
 2008/0023023 A1 1/2008 Boye et al.
 2008/0060672 A1 3/2008 Williams
 2009/0044826 A1 2/2009 Eng et al.
 2009/0078279 A1 3/2009 Boye et al.
 2010/0031971 A1 2/2010 Ha
 2010/0051049 A1 3/2010 Jaworski et al.
 2010/0059081 A1 3/2010 Yoshida et al.
 2010/0132734 A1 6/2010 Mills
 2011/0197913 A1 8/2011 Chen
 2012/0055503 A1 3/2012 Kuo
 2012/0136748 A1 5/2012 Shasteen et al.
 2013/0061867 A1 3/2013 Kim et al.
 2013/0133686 A1 5/2013 Shteyssel
 2015/0068550 A1 3/2015 Sasaki
 2016/0270507 A1* 9/2016 Thompson A45D 40/24
 2017/0280851 A1 10/2017 Lee
 2018/0064229 A1* 3/2018 Corsi A45D 33/008

CN 303731677 S 6/1916
 CN 304049456 S 2/1917
 CN 301035289D 10/2009
 CN 302070762 S 9/2012
 CN 302114071 S 10/2012
 CN 302323863 S 2/2013
 CN 302851802 S 6/2014
 CN 303022178 S 12/2014
 CN 303370977 S 9/2015
 DE 4020090034210001 7/2009
 DE 4020090034210002 7/2009
 DE 4020130032180001 7/2013
 DE 4020130032180002 7/2013
 EM IR 00084990-0005 12/2014
 EM IR 00084990-0006 12/2014
 EM IR 00084990-0007 12/2014
 EM IR 00084990-0008 12/2014
 EP 3187068 7/1917
 JP 2009160534 7/2009
 KR 101756976 7/1917
 KR 30-0183466 7/1996
 KR 30-0281211 7/2001
 KR 30-0306365 8/2002
 KR 30-0323399 4/2003
 KR 30-0401211 12/2005
 KR 30-0403923 1/2006
 KR 30-0424395 9/2006
 KR 30-0529731 5/2009
 KR 30-07162441 11/2013
 KR 30-0755705 8/2014
 MX 50030 6/1917
 MX 5920 3/1993
 MX 5960 4/1993
 MX 73587 10/1994
 MX 2113 7/2000
 MX 13872 6/2002
 MX 17981 5/2005
 MX 32431 11/2010
 MX 33879 7/2011
 MX 33881 7/2011
 MX 33884 7/2011
 MX 41956 7/2014
 WO WO 2016/047965 3/1916
 WO WO 2006/110839 10/2006
 WO WO 2010/005160 1/2010

OTHER PUBLICATIONS

www.walmart.com, "The Nudes by Maybelline"—1 page, downloaded Aug. 5, 2018.
 www.ulta.com, "Ulta beauty Rose Gold," 1 page, downloaded Aug. 5, 2018.
 www.ulta.com, "Hyper Real Glow," 1 page, downloaded Aug. 5, 2018.
 www.ulta.com, "Bare Naturals," 1 page, downloaded Aug. 5, 2018.

* cited by examiner

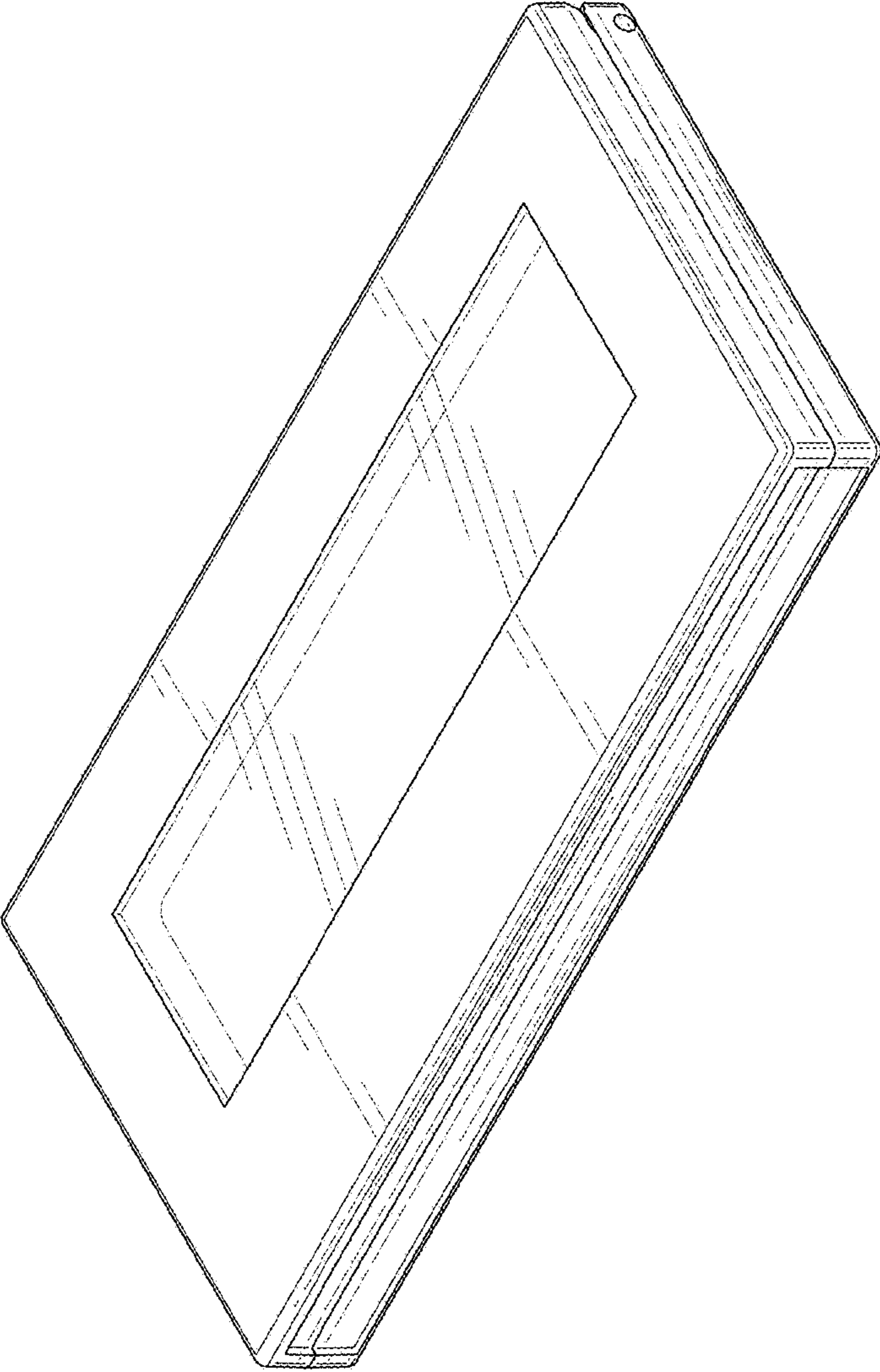


FIG. 1

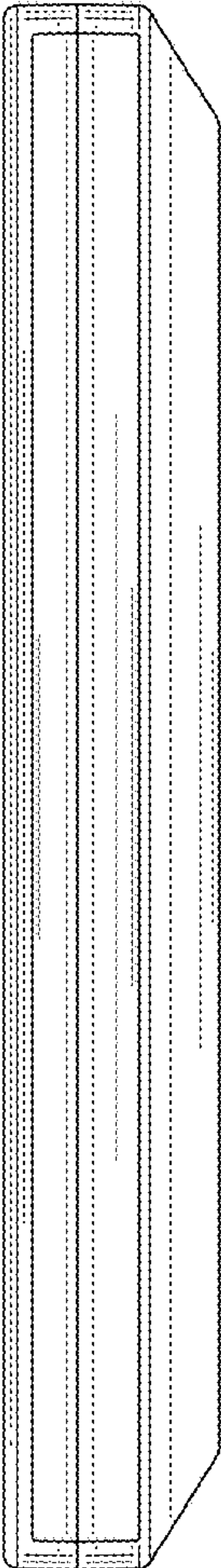


FIG. 2

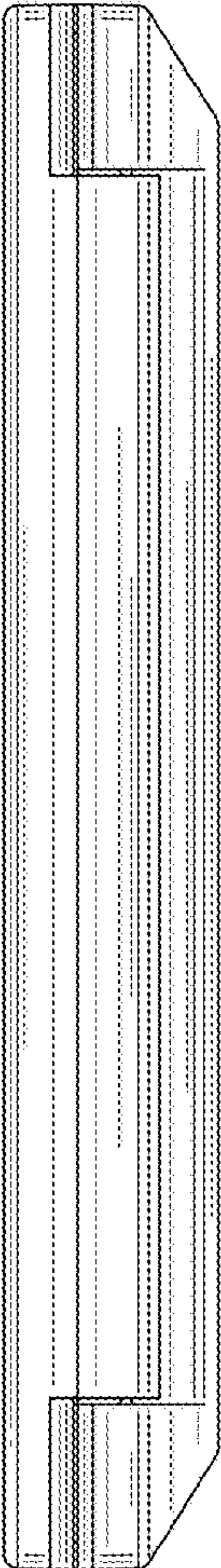


FIG. 3

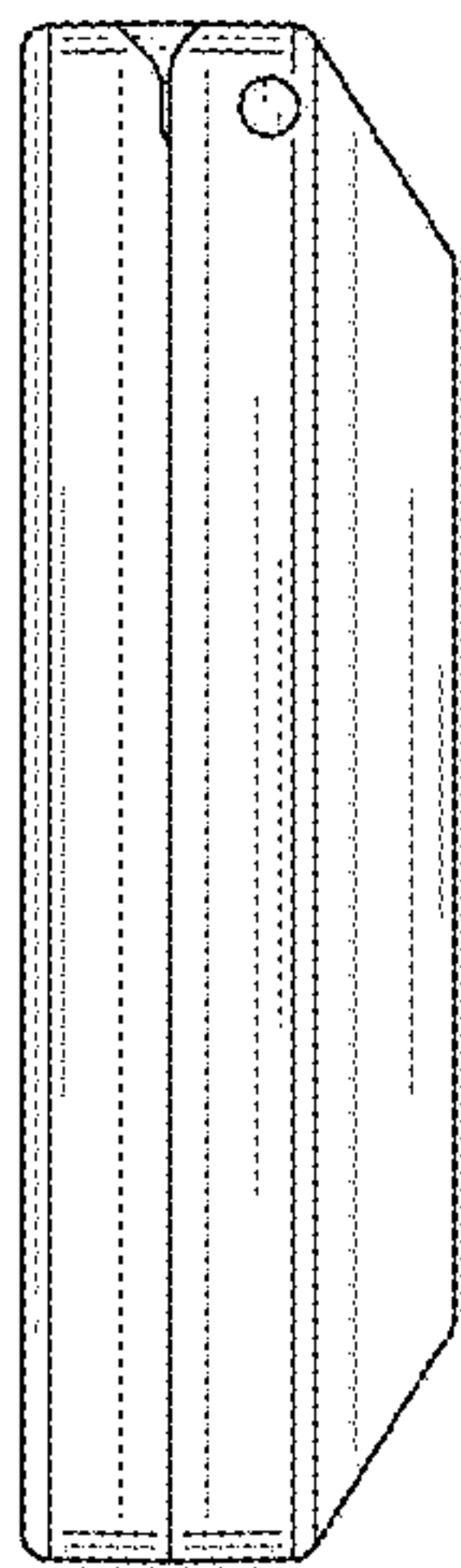


FIG. 4

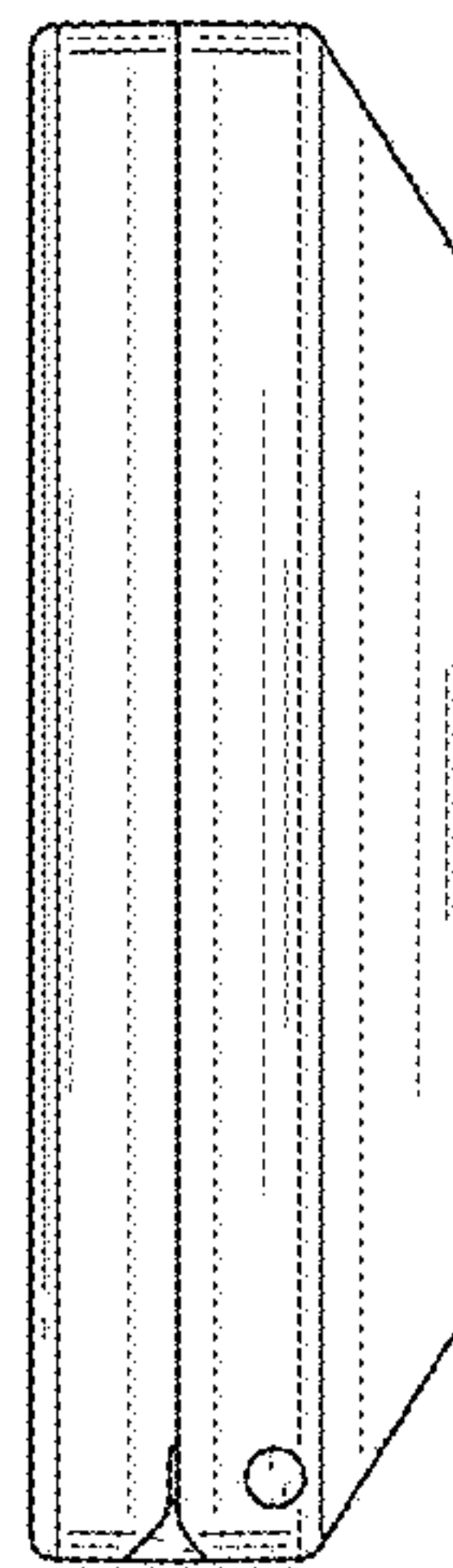


FIG. 5

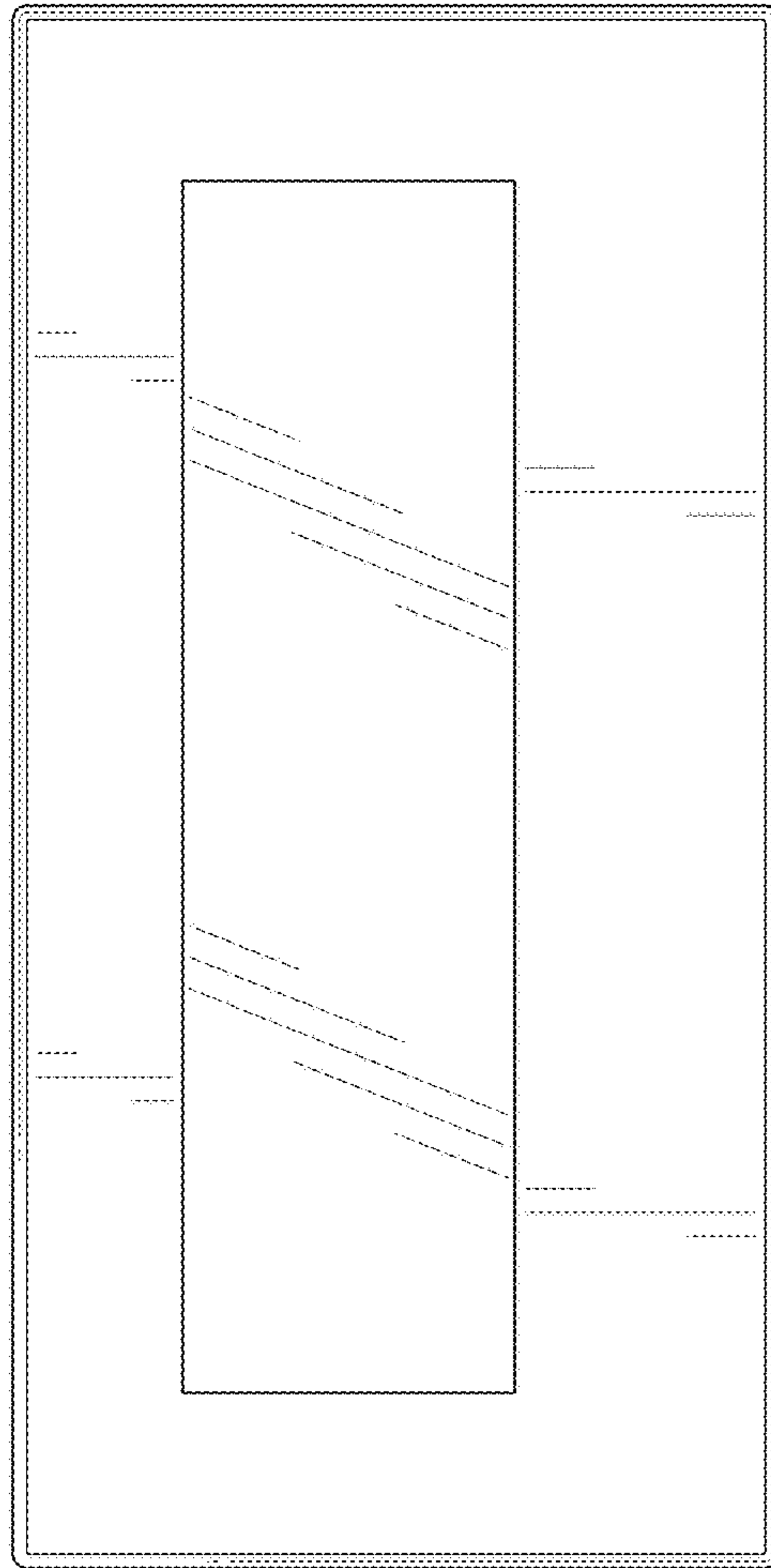


FIG. 6

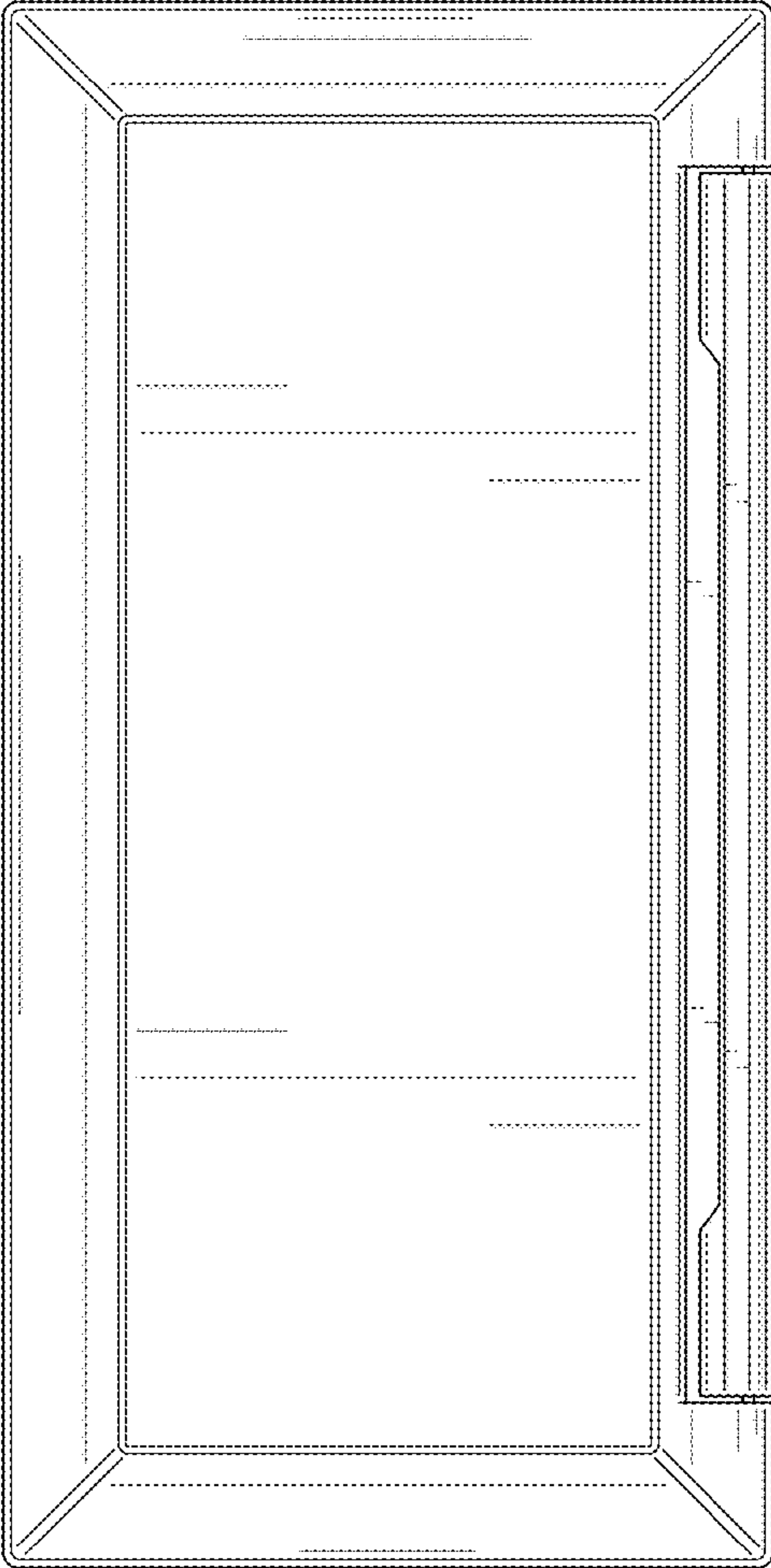


FIG. 7

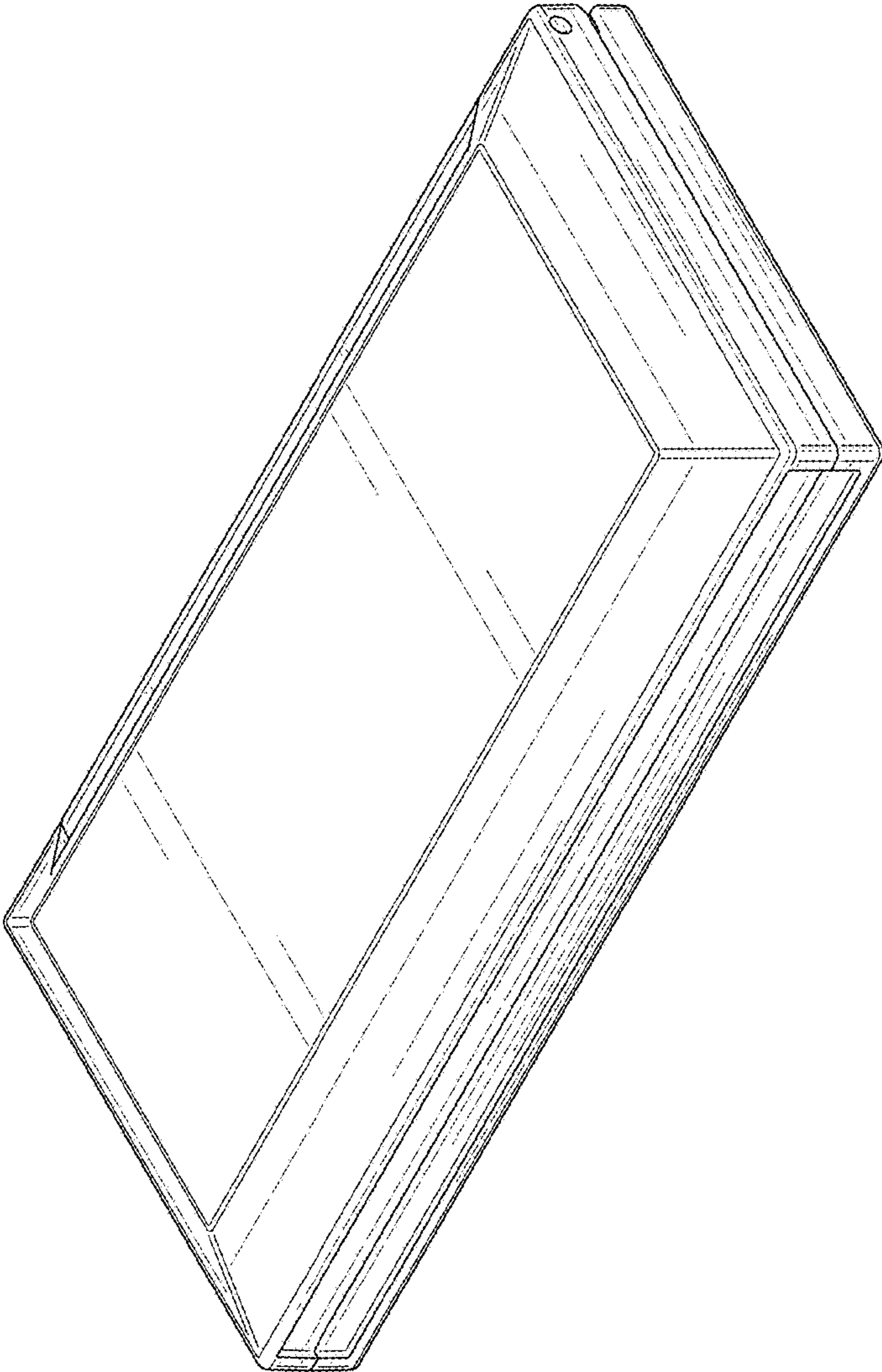


FIG. 8

UNITED STATES PATENT AND TRADEMARK OFFICE
CERTIFICATE OF CORRECTION

PATENT NO. : D861,992 S
APPLICATION NO. : 29/663262
DATED : October 1, 2019
INVENTOR(S) : Staab et al.

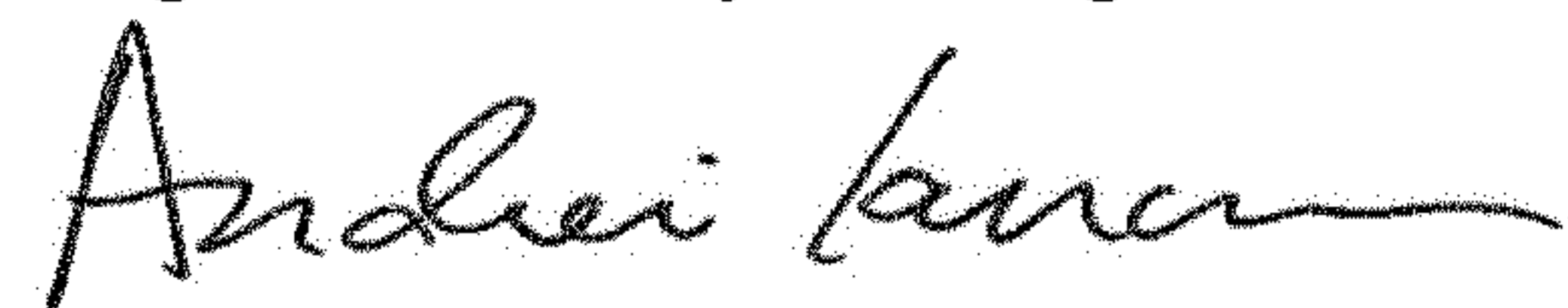
Page 1 of 1

It is certified that error appears in the above-identified patent and that said Letters Patent is hereby corrected as shown below:

Page 3, Item (56) U.S. Patent Documents:

Column 1, Line 2, Please delete "8,807,209" and replace it with -- 8,807,146 --.

Signed and Sealed this
Eighteenth Day of August, 2020



Andrei Iancu
Director of the United States Patent and Trademark Office