



US00D861991S

(12) **United States Design Patent**
Liston

(10) **Patent No.:** **US D861,991 S**
(45) **Date of Patent:** **** Oct. 1, 2019**

(54) **COMPACT**

(71) Applicant: **Container Limited**, Central (HK)

(72) Inventor: **Brenan Patrick Liston**, Central (HK)

(**) Term: **15 Years**

(21) Appl. No.: **29/576,564**

(22) Filed: **Sep. 5, 2016**

(30) **Foreign Application Priority Data**

May 6, 2016 (CA) 2016 3 0164299

(51) **LOC (12) Cl.** **28-03**

(52) **U.S. Cl.**
USPC **D28/83**

(58) **Field of Classification Search**
USPC D28/76-78, 81-84; 132/294, 303-305,
132/314-318; D3/205, 901; 206/542,
206/581, 823; D9/426, 430, 432, 549
CPC A45D 40/00; A45D 40/18; A45D 40/0087;
A45D 40/222; A45D 33/006; A45D
2040/225; A45D 2034/007; A45D 33/008;
A45D 33/18; A45D 33/16; A45D 33/00;
A45D 33/025; A45D 33/003; A45C
33/00; A45C 33/025; A45C 33/003
See application file for complete search history.

(56) **References Cited**

U.S. PATENT DOCUMENTS

- 1,596,499 A * 8/1926 Marcus A45D 33/006
132/303
- 1,597,378 A * 8/1926 Kendall A45D 33/006
132/303
- 2,204,717 A * 6/1940 Younghusband A45D 33/28
132/296
- 2,264,300 A * 12/1941 Davies A45D 33/26
132/296
- D142,674 S * 10/1945 Shatkin D28/83

- D222,762 S * 12/1971 Allen D28/83
 - 4,208,105 A * 6/1980 Hadwiger A45D 42/00
359/860
 - 4,452,373 A * 6/1984 Pearce A45C 11/24
16/291
 - D281,024 S * 10/1985 Rittenhouse D28/38
- (Continued)

FOREIGN PATENT DOCUMENTS

- CN 303873232 * 9/2016
- WO WO-2017190342 A1 * 11/2017 A45D 33/00

Primary Examiner — Shannon W Morgan

Assistant Examiner — Altaira J Swangin

(74) *Attorney, Agent, or Firm* — Prakash Nama; Global IP Services, PLLC

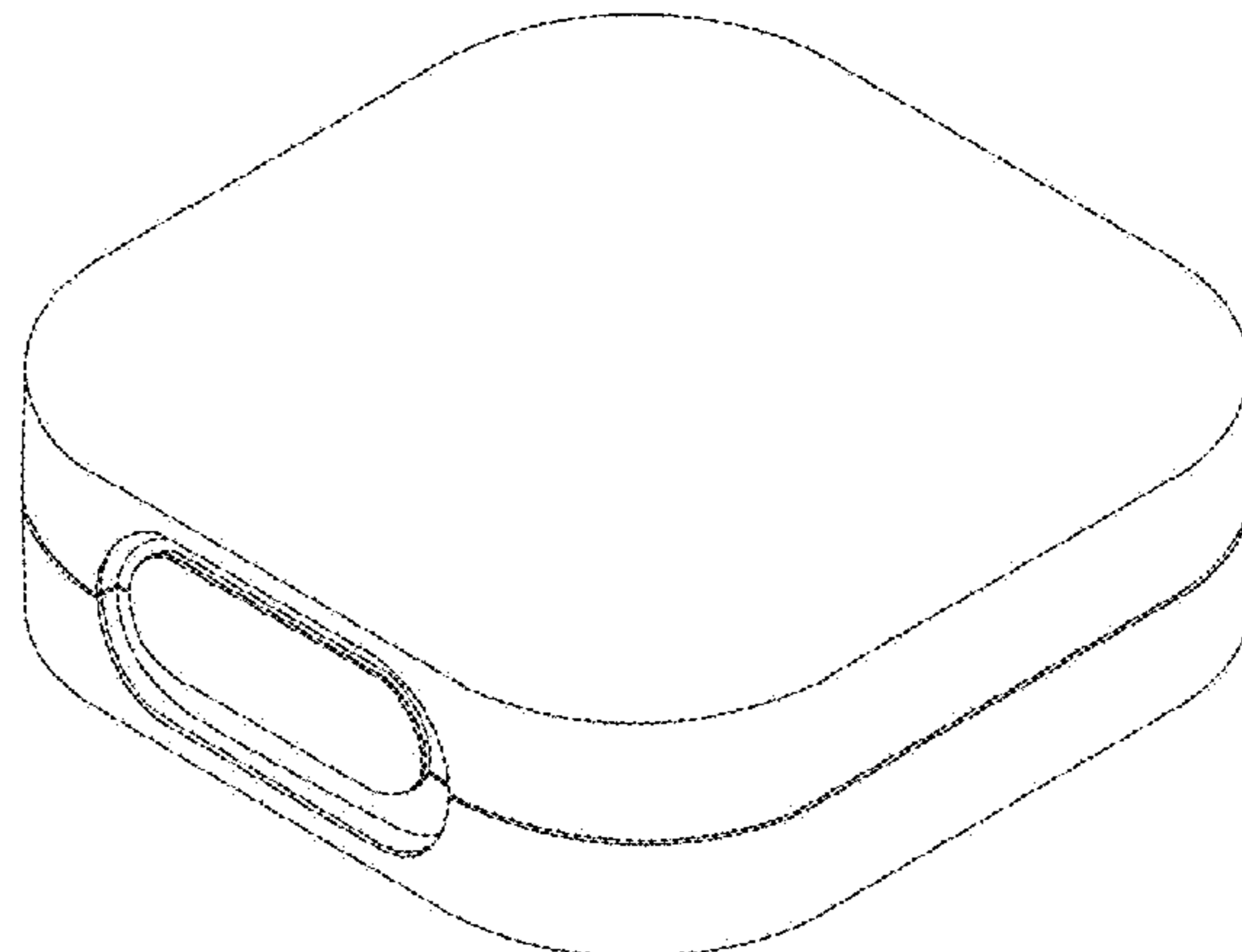
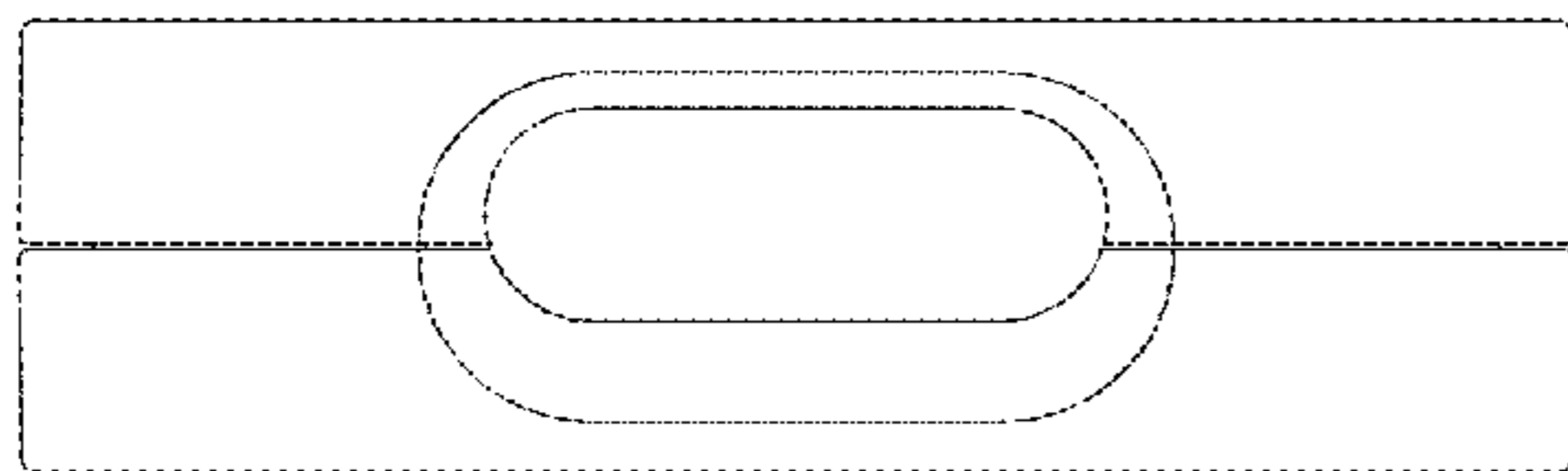
(57) **CLAIM**

The ornamental design for a compact, as shown and described.

DESCRIPTION

FIG. 1 is a front elevational view of a compact showing my new design;
 FIG. 2 is a rear elevational view thereof;
 FIG. 3 is a left side view thereof;
 FIG. 4 is a right side view thereof;
 FIG. 5 is a top plan view thereof;
 FIG. 6 is a bottom plan view thereof;
 FIG. 7 is a top perspective view thereof;
 FIG. 8 is a bottom perspective view thereof;
 FIG. 9 is another bottom perspective view thereof;
 FIG. 10 is a top plan view thereof in an opened state; and,
 FIG. 11 is a top perspective view thereof in an opened state.
 The broken lines, shown in FIG. 9, illustrate the boundary of a label, applied to the bottom of the compact. The broken lines, as shown and described, illustrate environmental features only and form no part of the claimed design.

1 Claim, 6 Drawing Sheets



(56)

References Cited

U.S. PATENT DOCUMENTS

4,574,944 A * 3/1986 Gregory A45C 13/34
 132/316
 D285,177 S * 8/1986 Goetz D28/83
 D285,414 S * 9/1986 Goetz D28/83
 D290,297 S * 6/1987 Schemmer D28/78
 D302,745 S * 8/1989 Bakic D28/83
 4,917,131 A * 4/1990 Contreras, Sr. A45D 40/22
 132/286
 D321,415 S * 11/1991 Chen D28/76
 5,107,871 A * 4/1992 Butcher A45D 33/006
 132/293
 5,186,318 A * 2/1993 Oestreich A45C 13/008
 206/37
 D351,049 S * 9/1994 Schlueter D28/77
 5,819,764 A * 10/1998 Sussman A45C 13/008
 132/293
 5,829,583 A * 11/1998 VerWeyst G11B 33/0416
 206/308.1
 5,842,486 A * 12/1998 Davis A45C 13/008
 132/293
 5,845,658 A * 12/1998 Sussman A45D 33/006
 132/287
 6,021,784 A * 2/2000 Yuhara A45C 13/005
 132/293
 D422,120 S * 3/2000 Orsomando D28/83
 6,129,089 A * 10/2000 Yuhara A45C 13/008
 132/300
 6,199,559 B1 * 3/2001 Nikolaus A45C 13/008
 132/293
 D465,305 S * 11/2002 Thorpe D28/83
 D478,689 S * 8/2003 Thorpe D28/83

D479,016 S * 8/2003 Sgariboldi D28/78
 D534,421 S * 1/2007 Tanner D9/420
 D535,442 S * 1/2007 Ditrichstein D28/78
 D554,802 S * 11/2007 Pitot D28/64.3
 D573,887 S * 7/2008 Bouroullec D9/529
 D631,205 S * 1/2011 Lai D28/83
 D632,015 S * 2/2011 Lai D28/83
 D639,155 S * 6/2011 Fine D9/426
 D642,908 S * 8/2011 Fine D9/426
 D644,510 S * 9/2011 Fine D9/426
 8,100,288 B2 * 1/2012 Giraud B65D 43/162
 206/317
 D688,008 S * 8/2013 Fama D19/103
 8,540,115 B2 * 9/2013 Giraud B65D 43/162
 132/294
 D720,526 S * 1/2015 Lopez-Stout D3/205
 D721,855 S * 1/2015 Lavigne D28/83
 D764,910 S * 8/2016 Akana D9/432
 D829,554 S * 10/2018 Liston D9/529
 D851,332 S * 6/2019 Min D28/82
 2002/0162567 A1 * 11/2002 Jang A45D 33/008
 132/294
 2005/0218033 A1 * 10/2005 Curtis A45D 27/22
 206/581
 2007/0187284 A1 * 8/2007 Goto A45D 33/006
 206/581
 2008/0302384 A1 * 12/2008 Parker A45D 33/006
 132/294
 2014/0299150 A1 * 10/2014 Attard-Kingswell
 A45D 33/006
 132/287
 2016/0052662 A1 * 2/2016 Liston B05B 11/0054
 215/43
 2017/0273438 A1 * 9/2017 Liu A45D 40/221

* cited by examiner

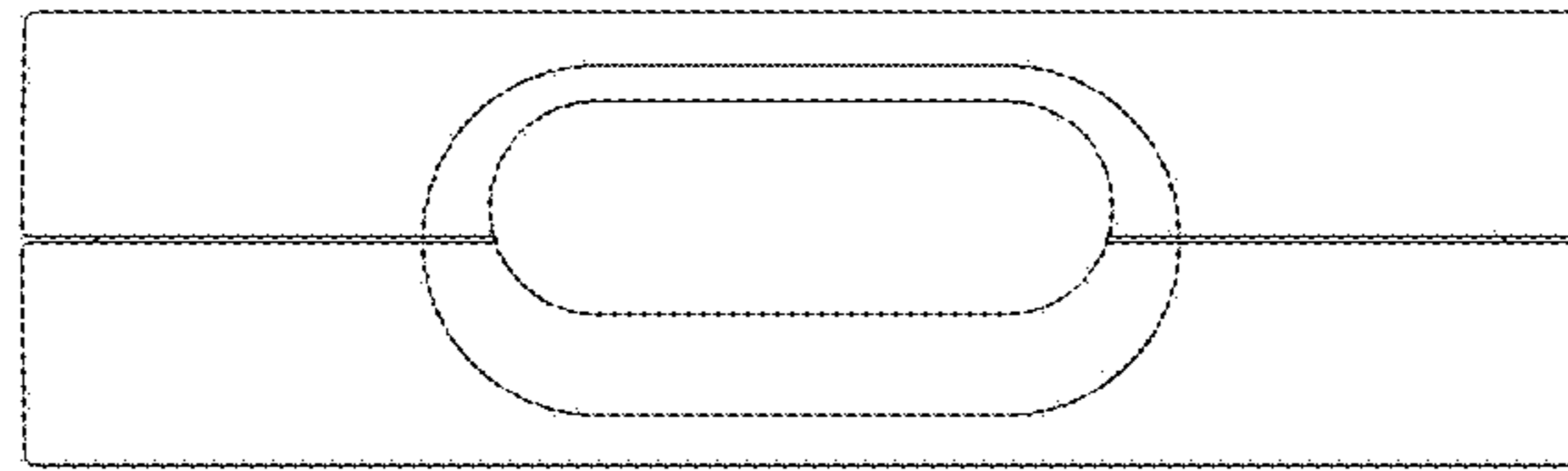


FIG. 1

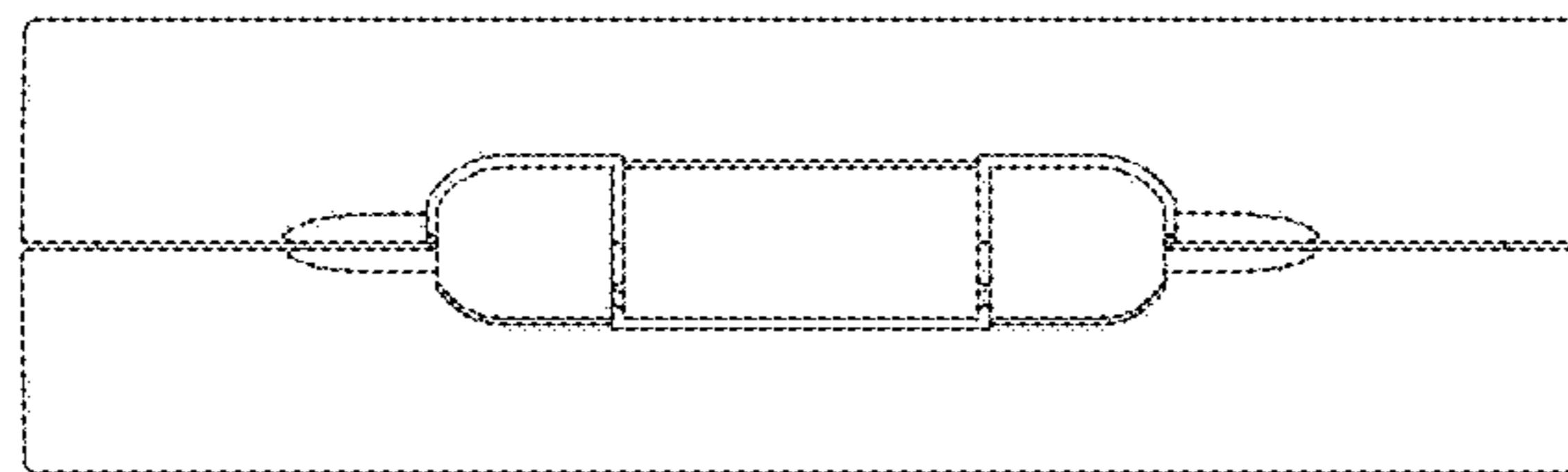


FIG. 2

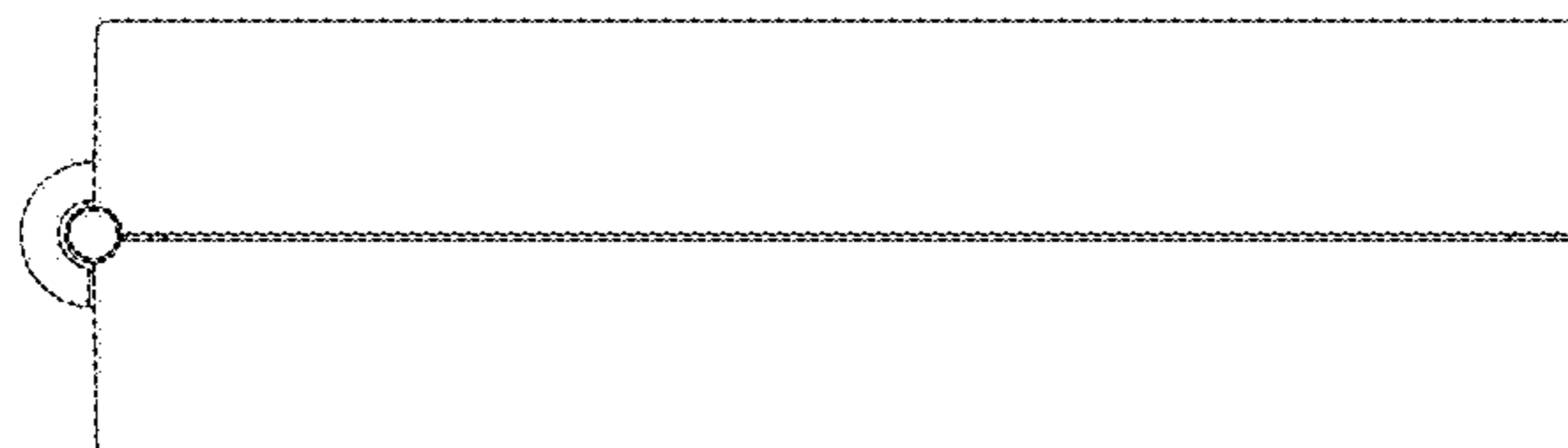


FIG. 3

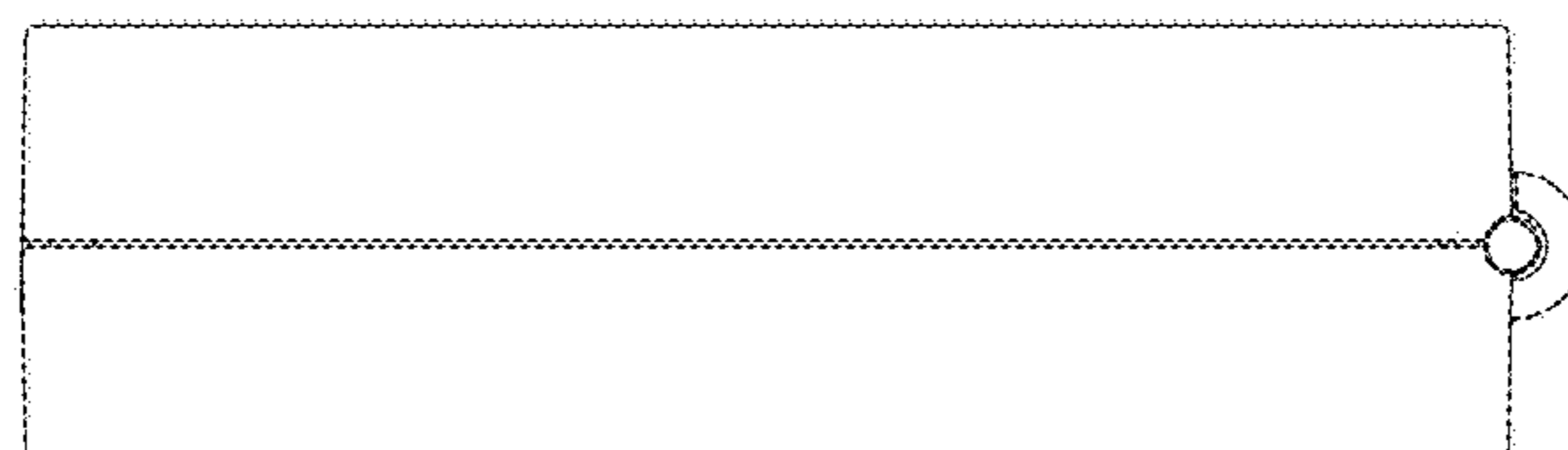


FIG. 4

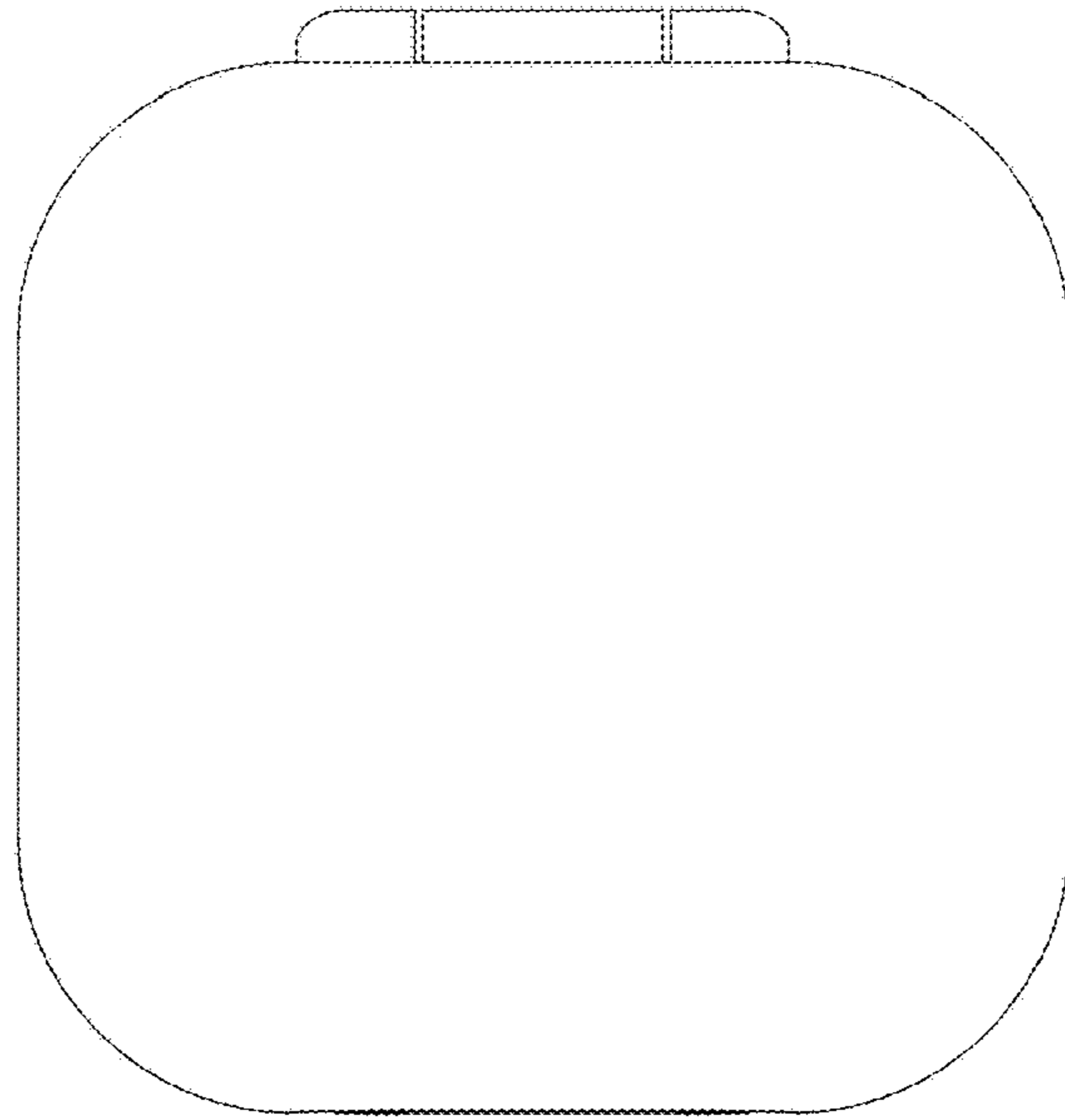


FIG. 5

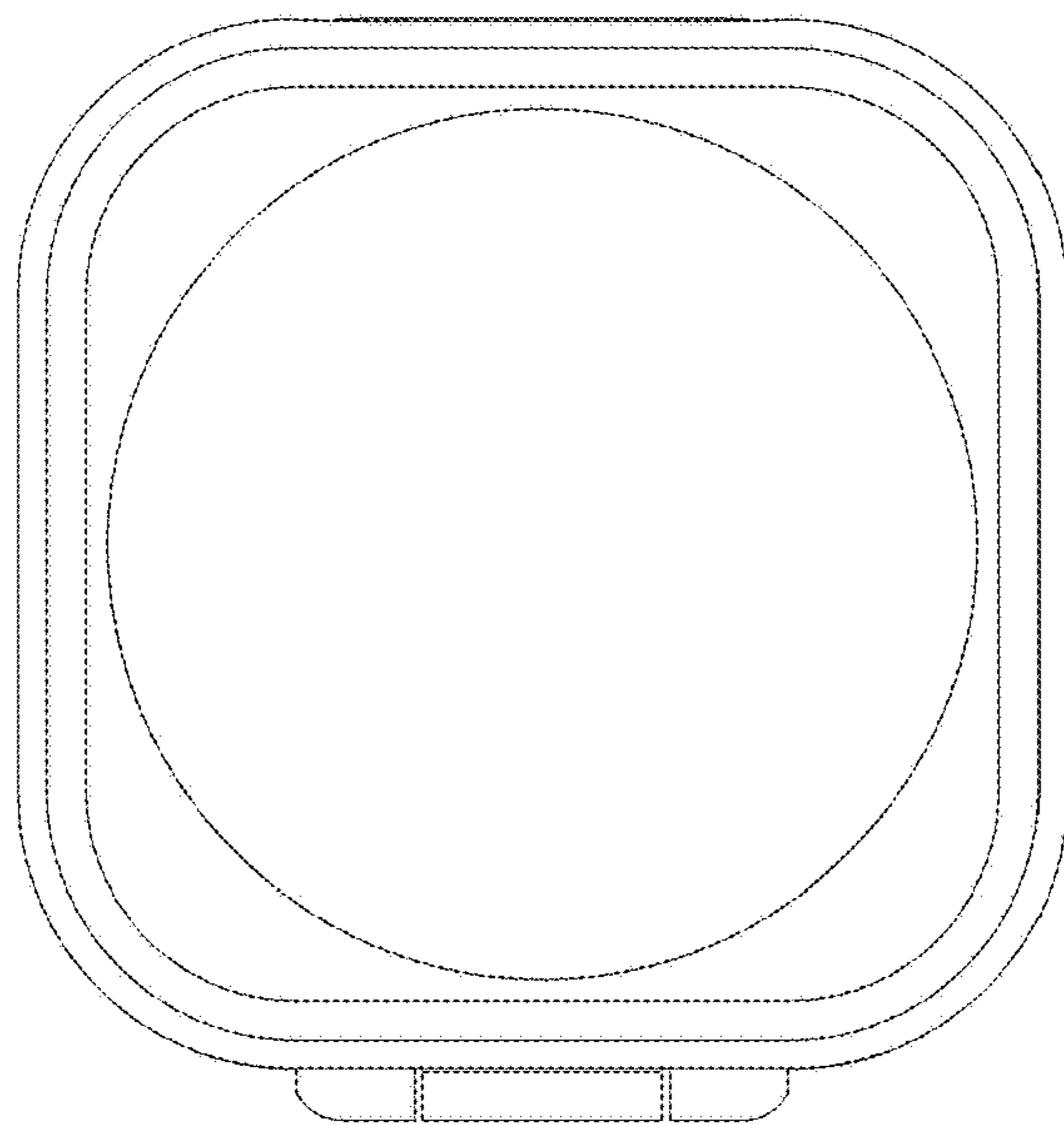


FIG. 6

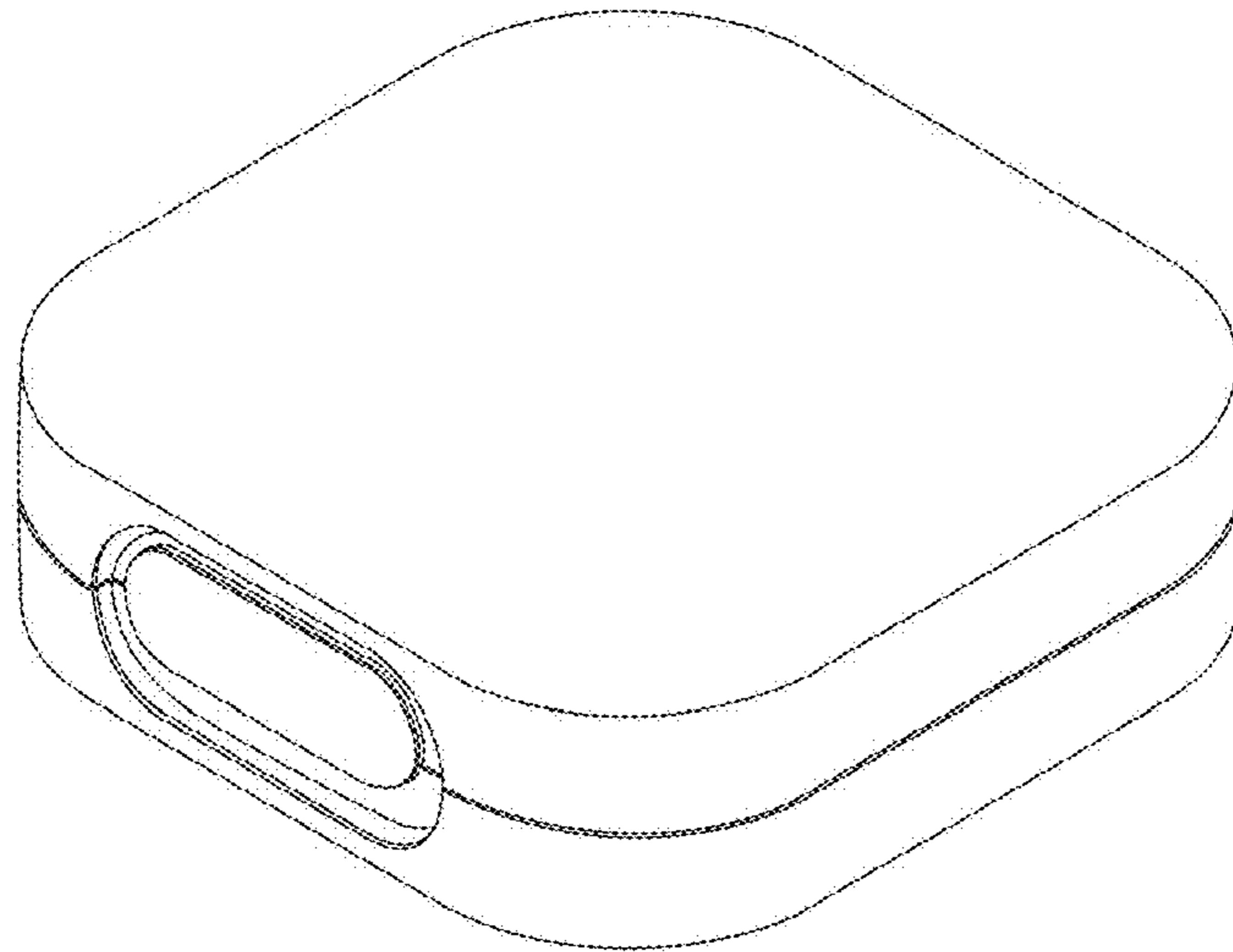


FIG. 7

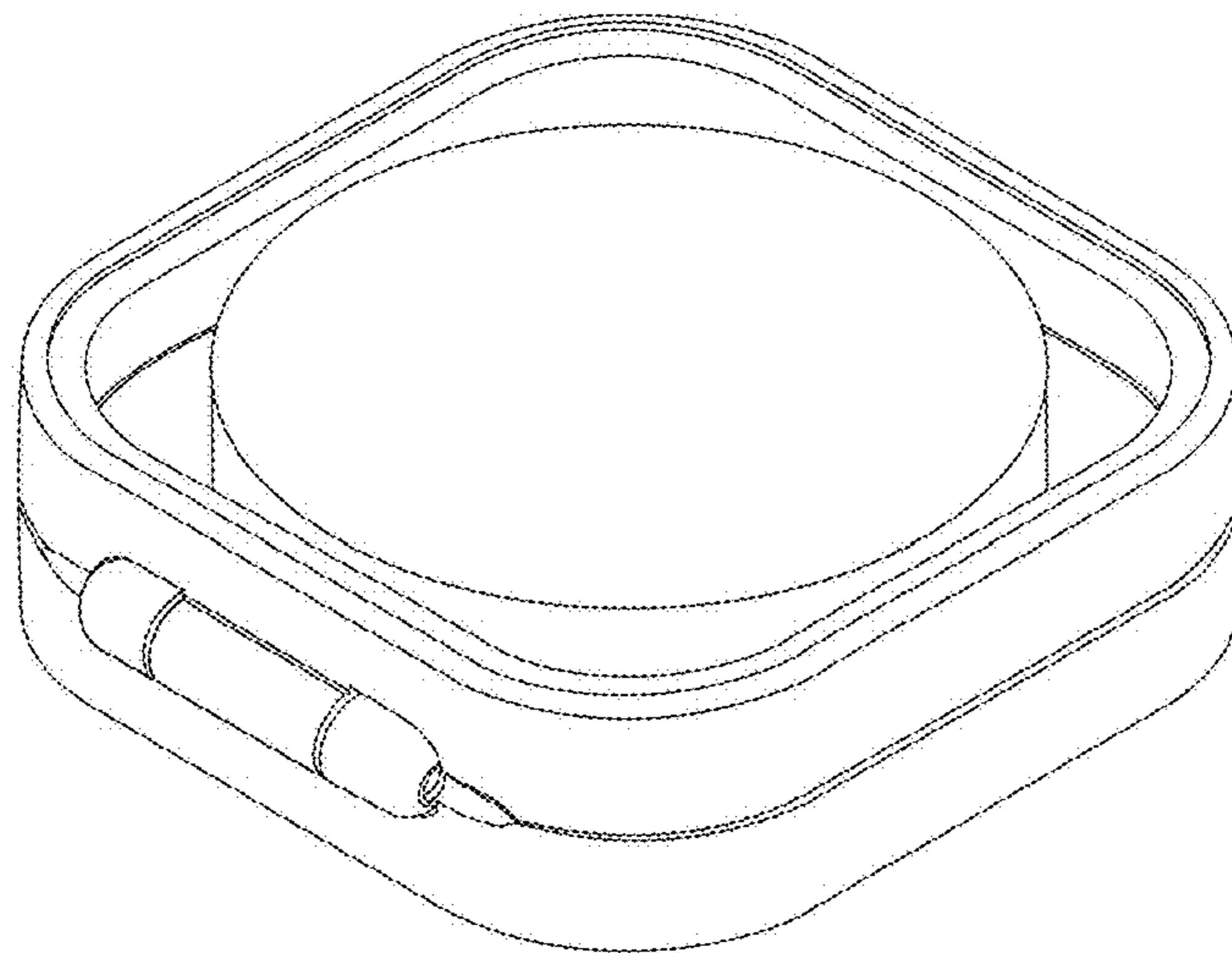


FIG. 8

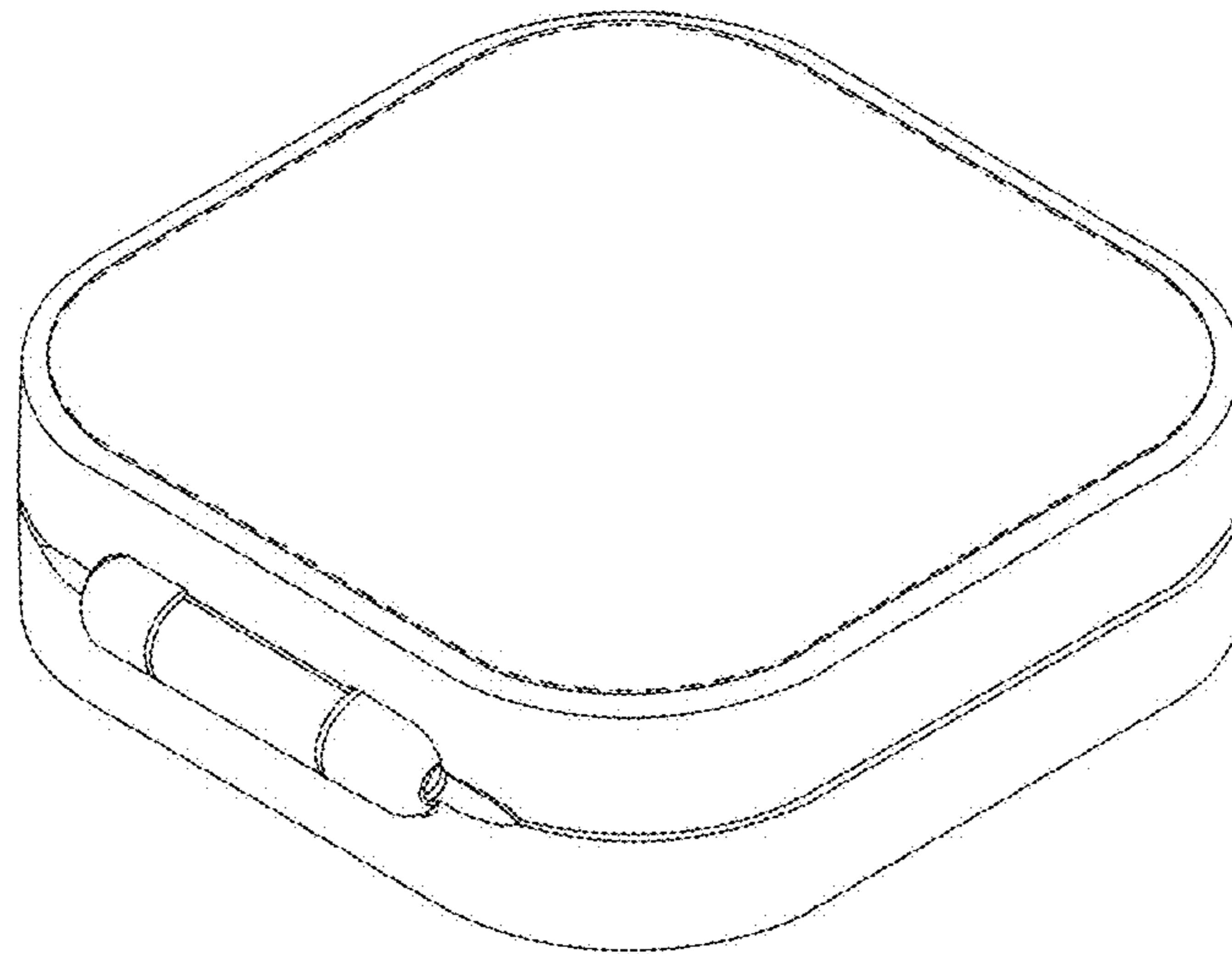


FIG. 9

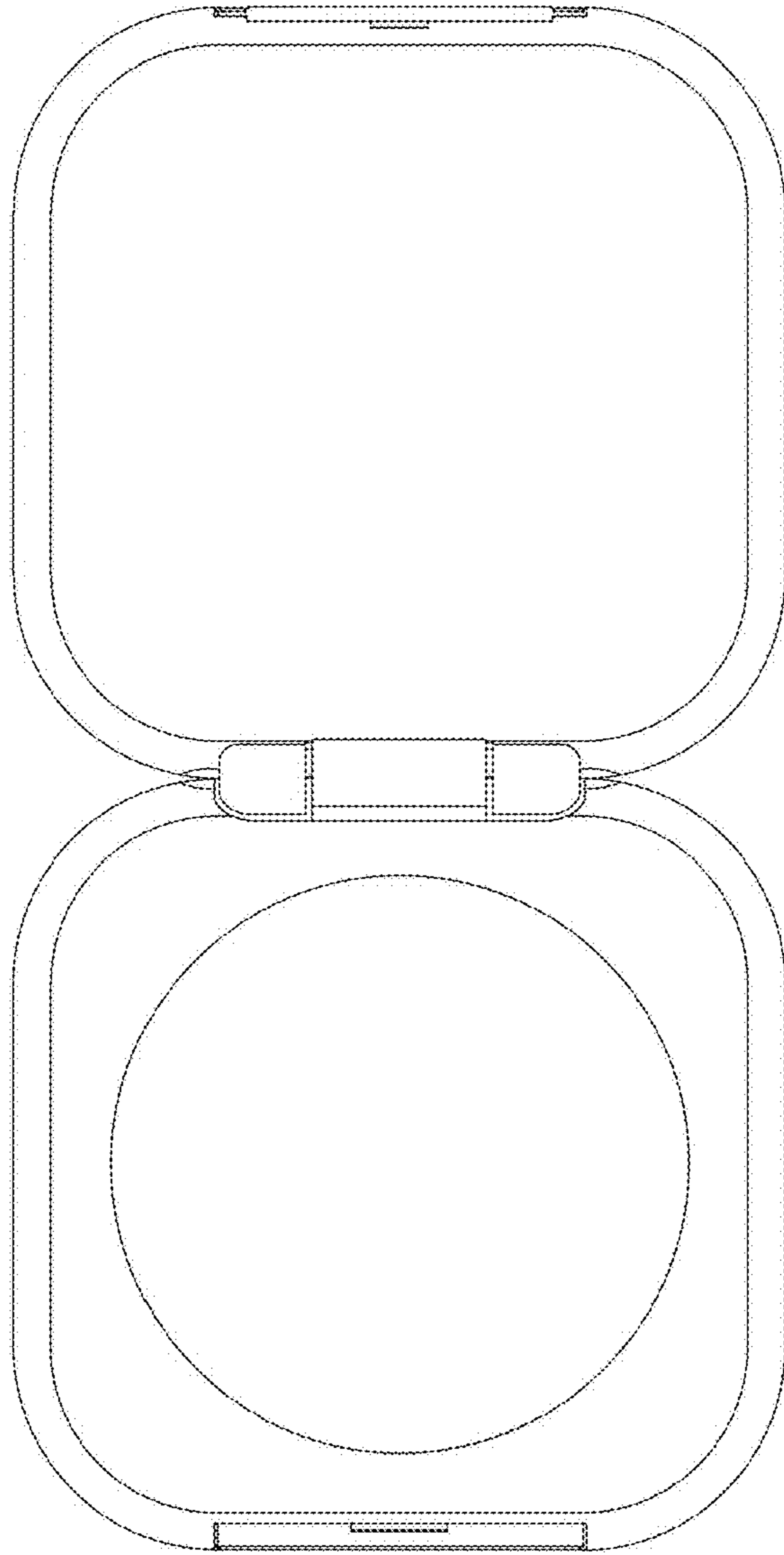


FIG. 10

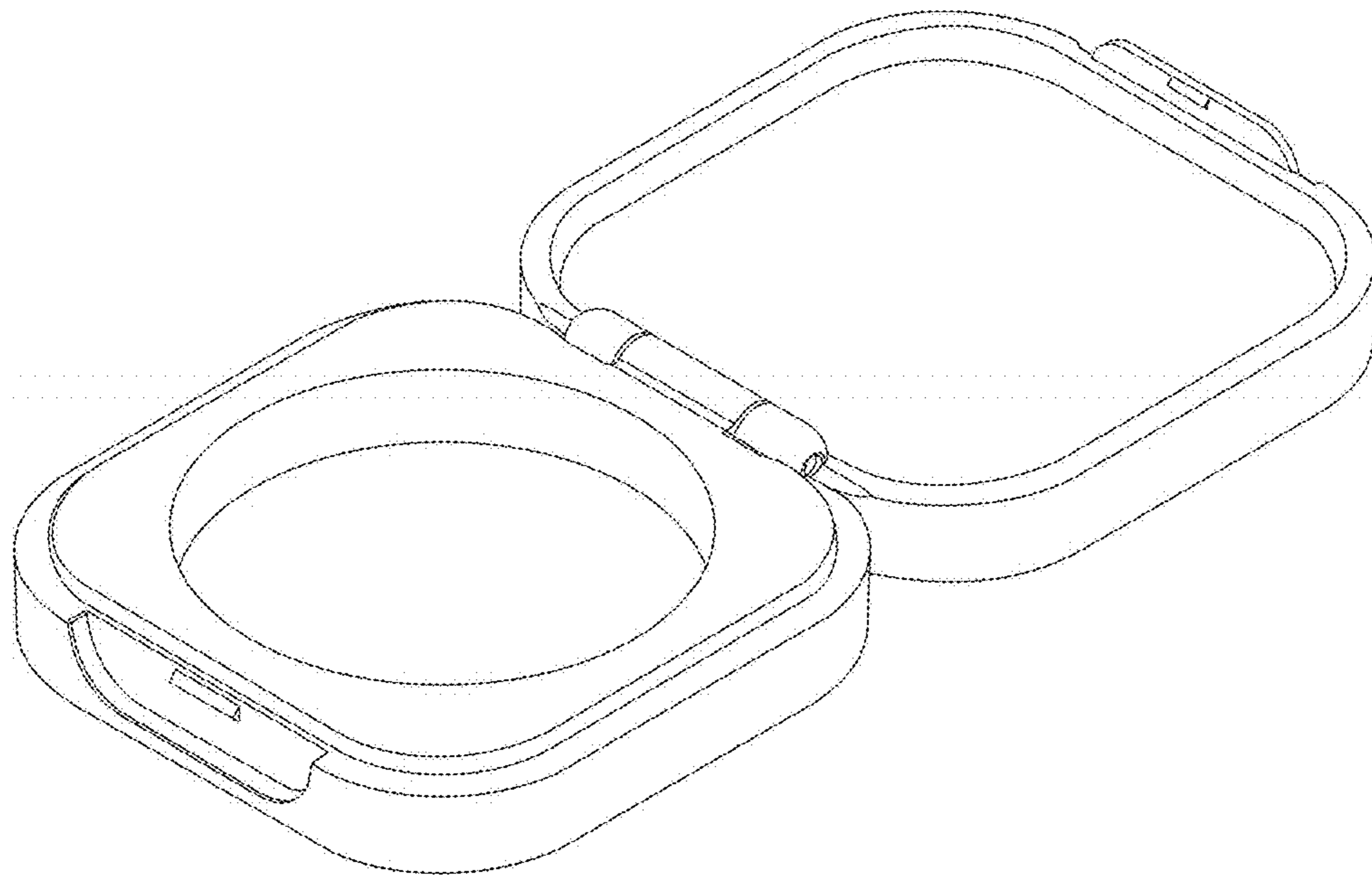


FIG. 11