



US00D861990S

(12) **United States Design Patent** (10) **Patent No.:** **US D861,990 S**
Kim et al. (45) **Date of Patent:** **** Oct. 1, 2019**

(54) **CONTAINER FOR COSMETICS**
(71) Applicant: **Kolmar Korea Co., Ltd.**, Sejong-si (KR)
(72) Inventors: **Hyung Sang Kim**, Sejong-si (KR); **Sung Bong Kye**, Sejong-si (KR); **Koo Sup Ahn**, Sejong-si (KR)
(73) Assignee: **KOLMAR KOREA CO., LTD.**, Sejong-si (KR)
(**) Term: **15 Years**
(21) Appl. No.: **29/601,428**
(22) Filed: **Apr. 21, 2017**

(30) **Foreign Application Priority Data**
Oct. 21, 2016 (KR) 30-2016-0050710
Oct. 21, 2016 (KR) 30-2016-0050713
(51) **LOC (12) Cl.** **28-03**
(52) **U.S. Cl.**
USPC **D28/82**
(58) **Field of Classification Search**
USPC D28/64.1, 76-84; D9/503-505, 722, 529,
D9/420, 425, 428; D3/295; D19/103,
D19/106

(56) **References Cited**
U.S. PATENT DOCUMENTS
2,445,685 A * 7/1948 Miles A45D 33/006
132/317
D309,358 S * 7/1990 Machelett D28/78
(Continued)

OTHER PUBLICATIONS
Bobbi Brown Face & Body Bronzing Duo, So Lonely in Gorgeous, A Day At The Nude Beach, article published Sep. 20, 2013,

retrieved on Sep. 4, 2018, retrieved from the Internet URL: http://www.solonelyingorgeous.com/2013/09/a-day-at-nude-beach-bobbi-brown-face_20.html.*
(Continued)

Primary Examiner — Jennifer Rivard
Assistant Examiner — Alison M Ofstun
(74) *Attorney, Agent, or Firm* — Novick, Kim & Lee, PLLC; Sang Ho Lee

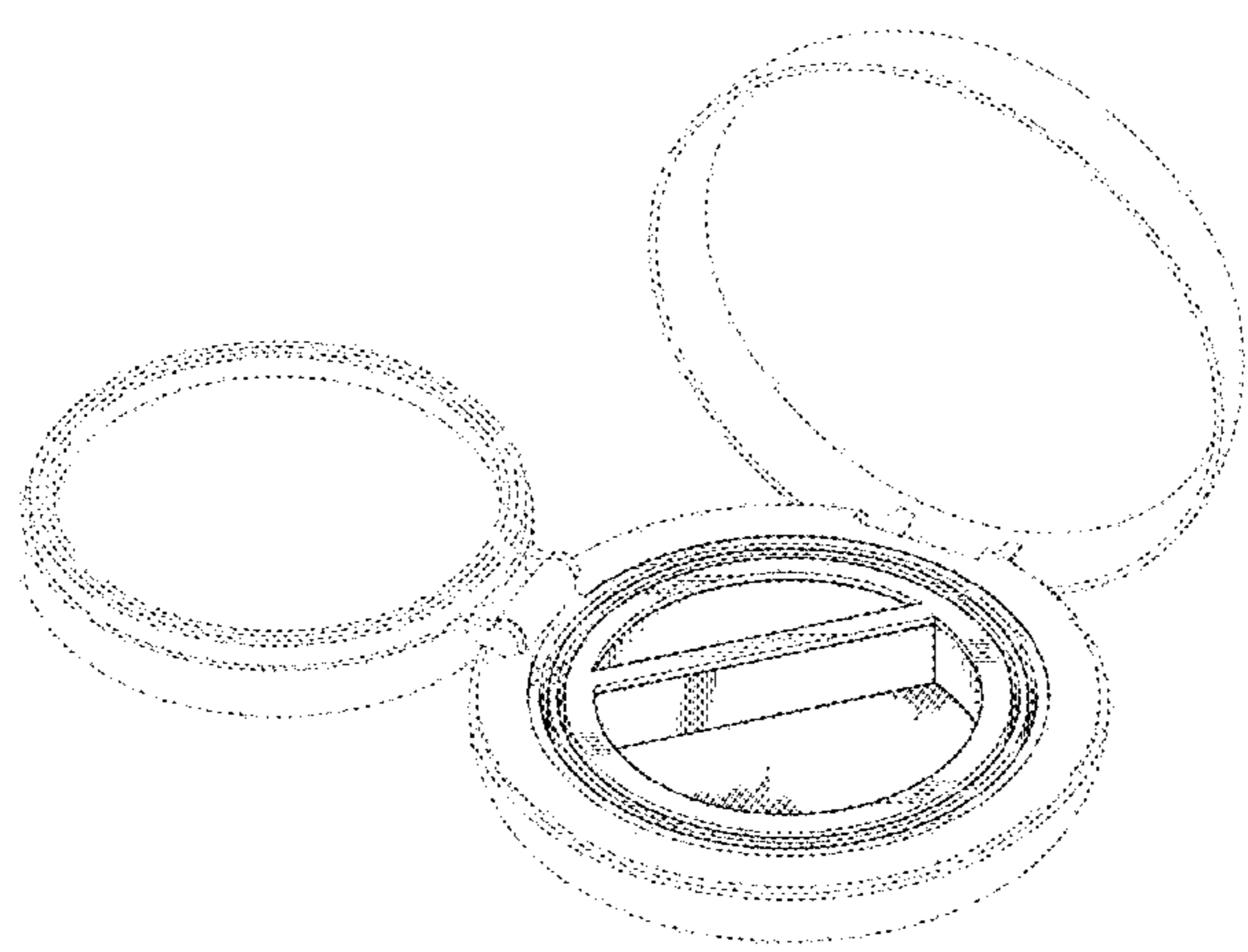
(57) **CLAIM**

We claim the ornamental design for a container for cosmetics, as shown and described.

DESCRIPTION

FIG. 1 is a perspective view of a first embodiment of a container for cosmetics, showing our new design;
FIG. 2 is a front elevational view thereof;
FIG. 3 is a rear elevational view thereof;
FIG. 4 is a left side elevational view thereof;
FIG. 5 is a right side elevational view thereof;
FIG. 6 is a top plan view thereof;
FIG. 7 is a bottom plan view thereof;
FIG. 8 is a perspective view of a second embodiment of the container for cosmetics;
FIG. 9 is a front elevational view thereof;
FIG. 10 is a rear elevational view thereof;
FIG. 11 is a left side elevational view thereof;
FIG. 12 is a right side elevational view thereof;
FIG. 13 is a top plan view thereof;
FIG. 14 is a bottom plan view thereof;
FIG. 15 is a perspective view of a third embodiment of the container for cosmetics;
FIG. 16 is a front elevational view thereof;
FIG. 17 is a rear elevational view thereof;
FIG. 18 is a left side elevational view thereof;
FIG. 19 is a right side elevational view thereof;
FIG. 20 is a top plan view thereof; and,
FIG. 21 is a bottom plan view thereof.

The dash-dash broken lines shown in the drawings illustrate portions of the article which form no part of the claimed
(Continued)



design. The dot-dash broken lines define bounds of the claimed design and form no part thereof.

1 Claim, 12 Drawing Sheets

(58) Field of Classification Search

CPC A45D 33/006; A45D 33/003; A45D 33/04-33; A45D 33/025; A45D 33/02; A45D 33/20; A45D 33/22; A45D 33/24; A45D 33/26; A45D 33/28; A45D 33/18; A45D 40/22; A45D 40/222; A45D 40/24; A45D 42/02; A45D 2200/051-053; A45D 2040/223-228

See application file for complete search history.

(56) References Cited

U.S. PATENT DOCUMENTS

D428,209 S * 7/2000 Kudo D28/78
D439,376 S * 3/2001 Lerolle D28/82
D523,177 S * 6/2006 Ashiwa D28/82
7,055,216 B2 * 6/2006 Seidler A45D 33/20
16/320

D660,693 S * 5/2012 Berggren D9/421
D756,567 S * 5/2016 Pires D28/84
9,386,836 B2 * 7/2016 Lee A45D 33/006
D788,372 S * 5/2017 Reed D28/82
D795,705 S * 8/2017 Huang D9/738
D803,687 S * 11/2017 Fernandez D9/500
9,867,447 B1 * 1/2018 Kim A45D 40/24
D814,705 S * 4/2018 Norris D28/82
D817,755 S * 5/2018 Kim D9/420
2003/0183240 A1 * 10/2003 Manougian A45D 33/006
132/295
2011/0266297 A1 * 11/2011 Thorpe A45C 13/008
220/831
2017/0020263 A1 * 1/2017 Chang A45D 33/003
2017/0202342 A1 * 7/2017 Won A45D 40/24
2017/0245622 A1 * 8/2017 Cicchetti A45D 40/222

OTHER PUBLICATIONS

6 Cushion Foundation To Try In 2015, Beautiful with Brains, article commented on Jan. 7, 2015, retrieved on Sep. 4, 2018, retrieved from the Internet URL: https://www.beautifulwithbrains.com/cushion-foundations/.*

* cited by examiner

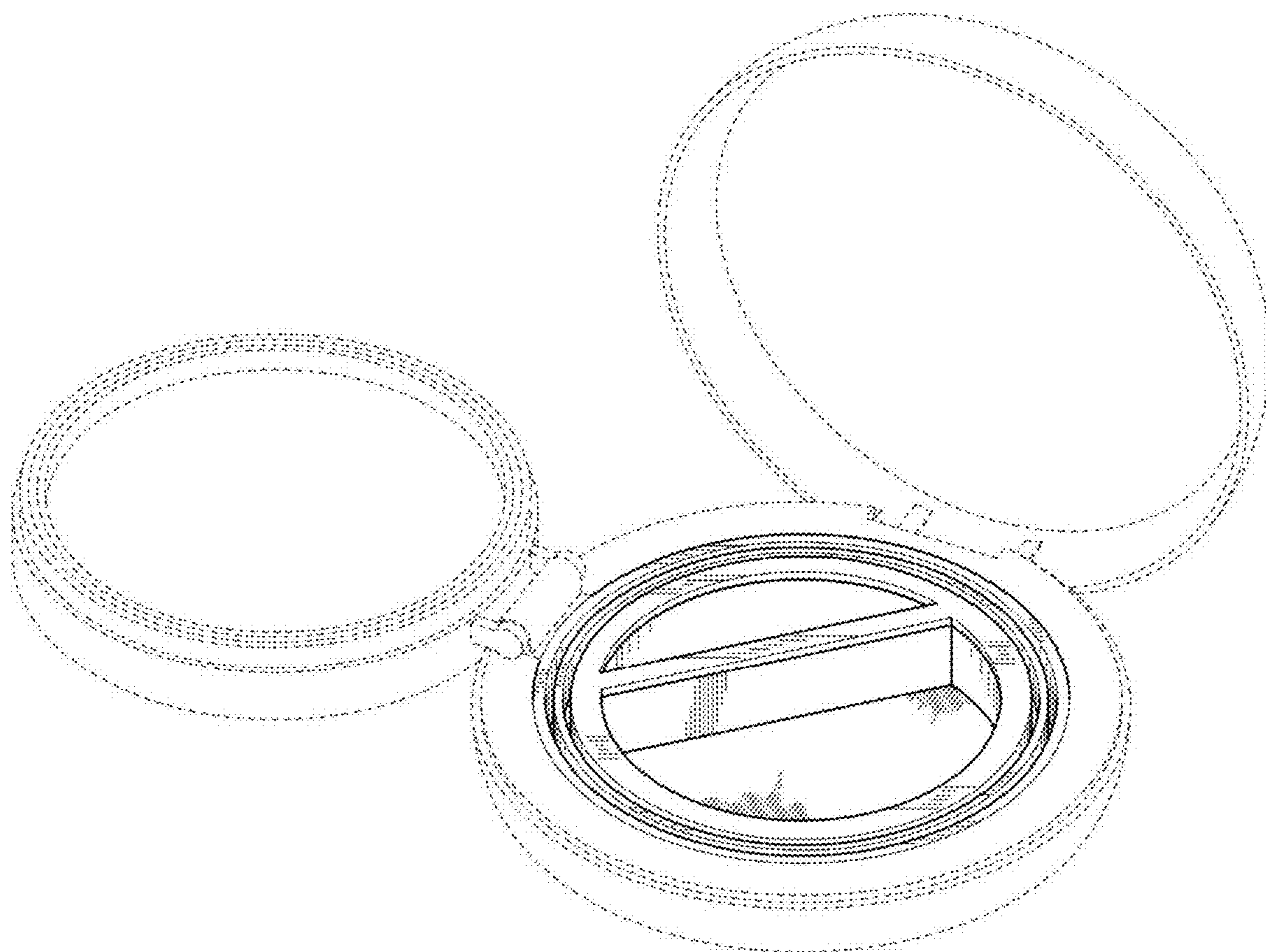


FIG. 1

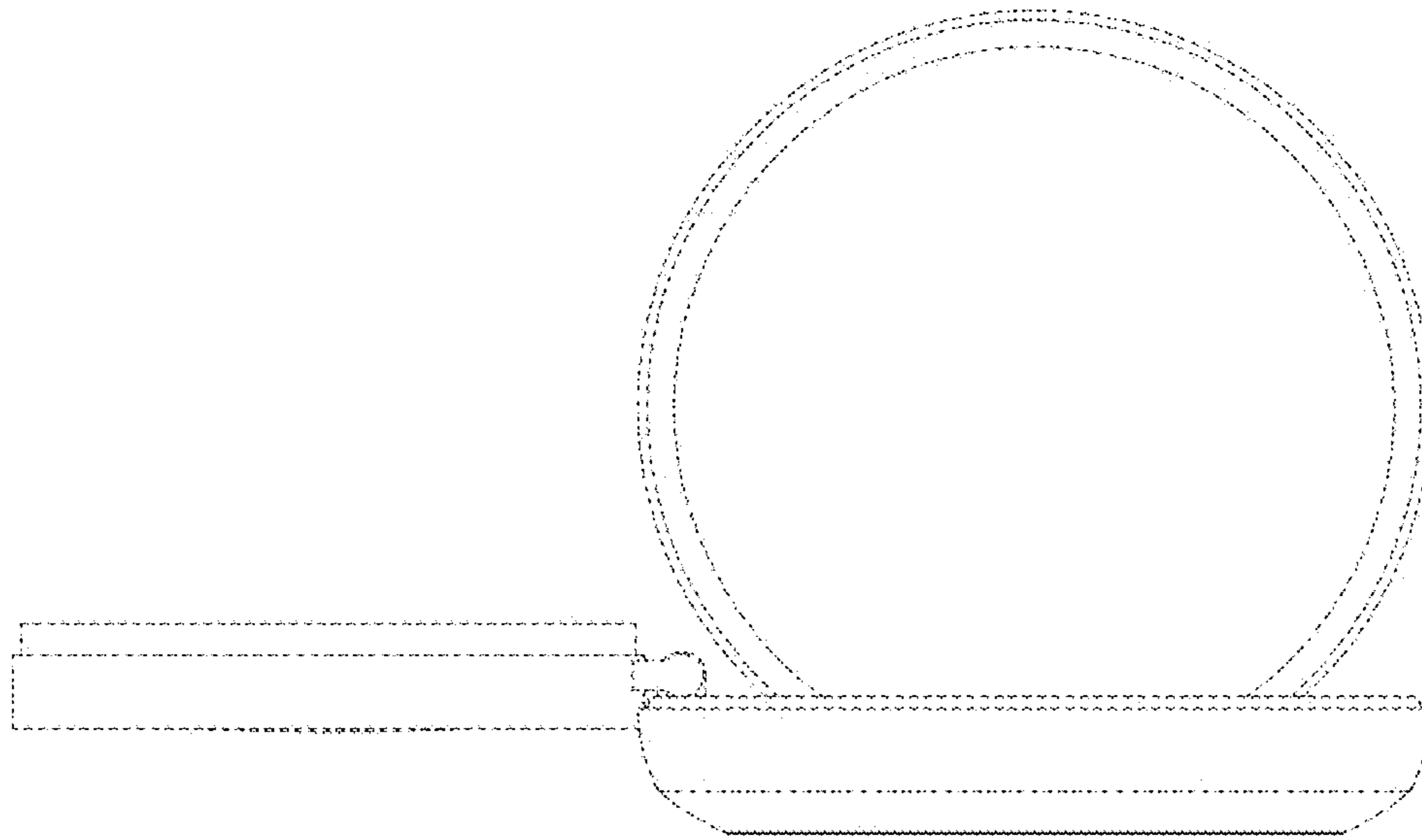


FIG. 2

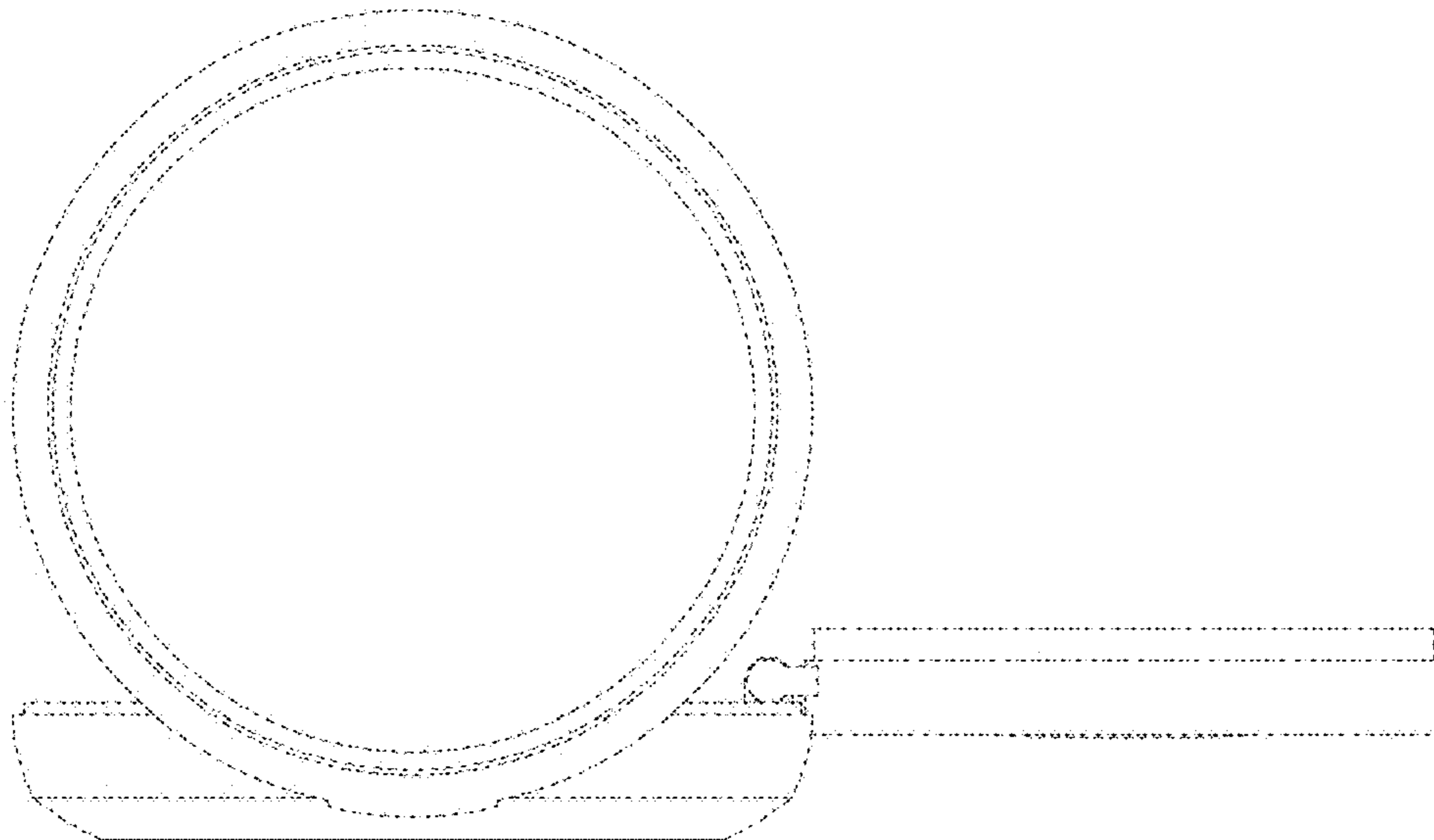


FIG. 3

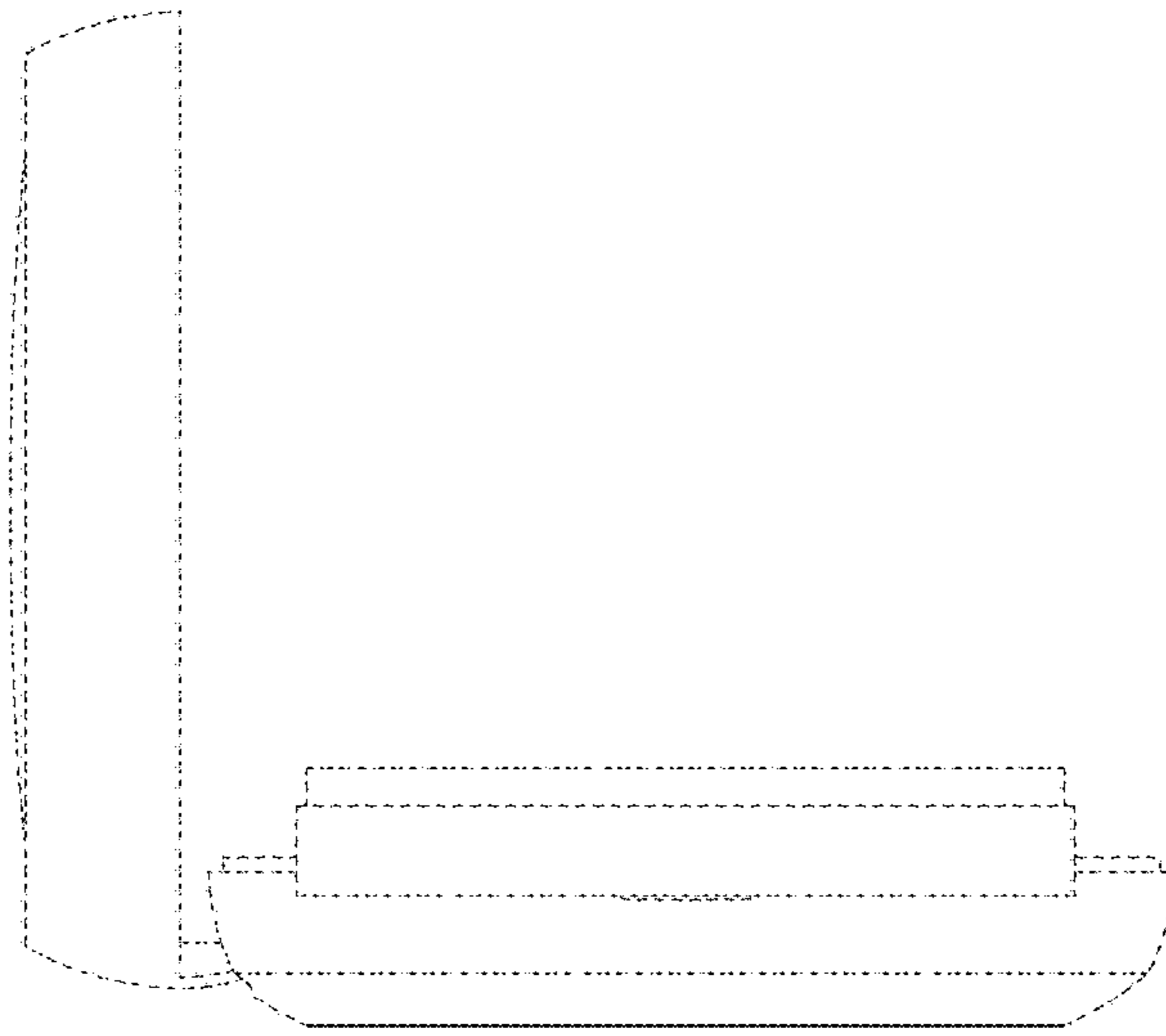


FIG. 4

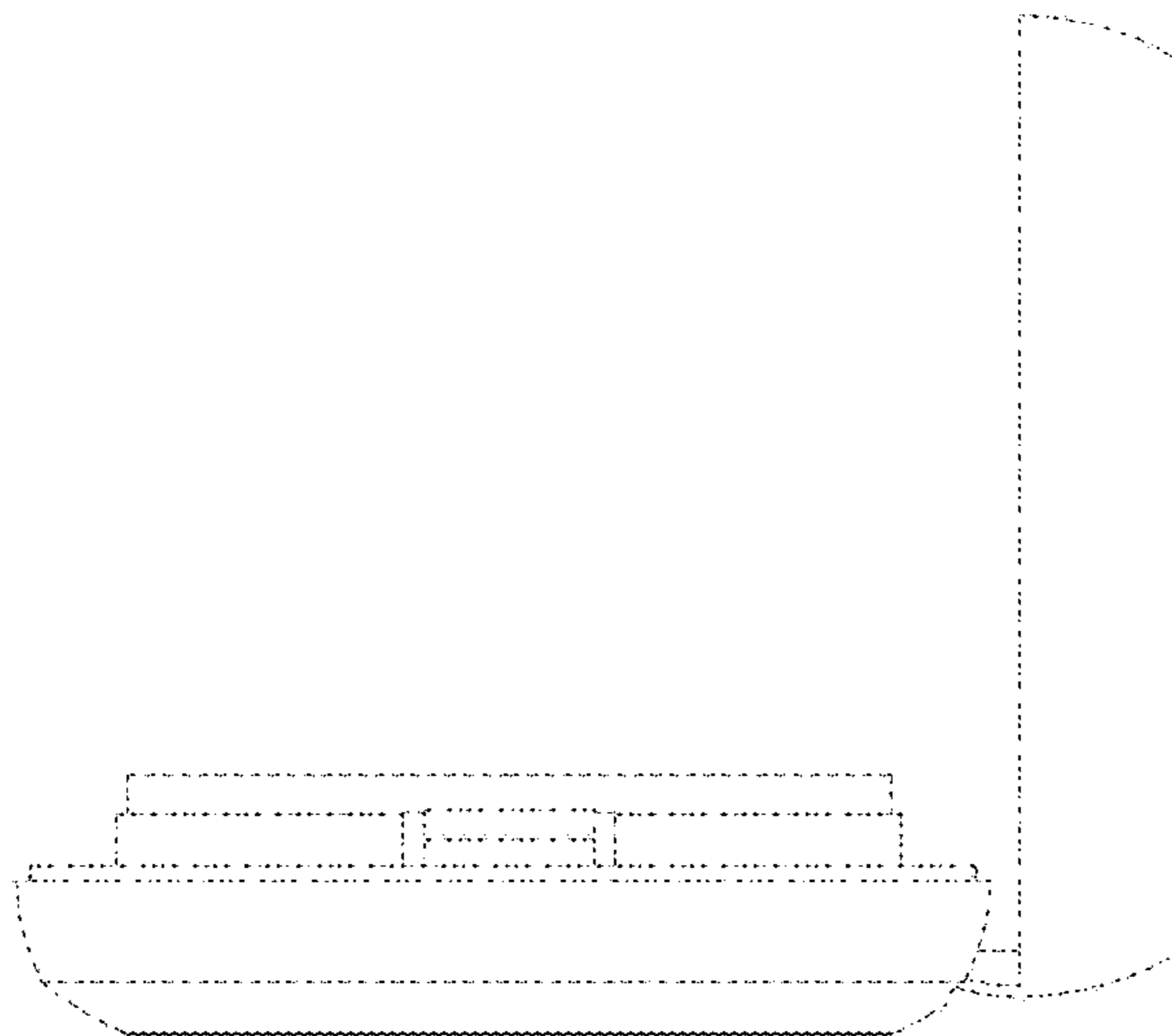


FIG. 5

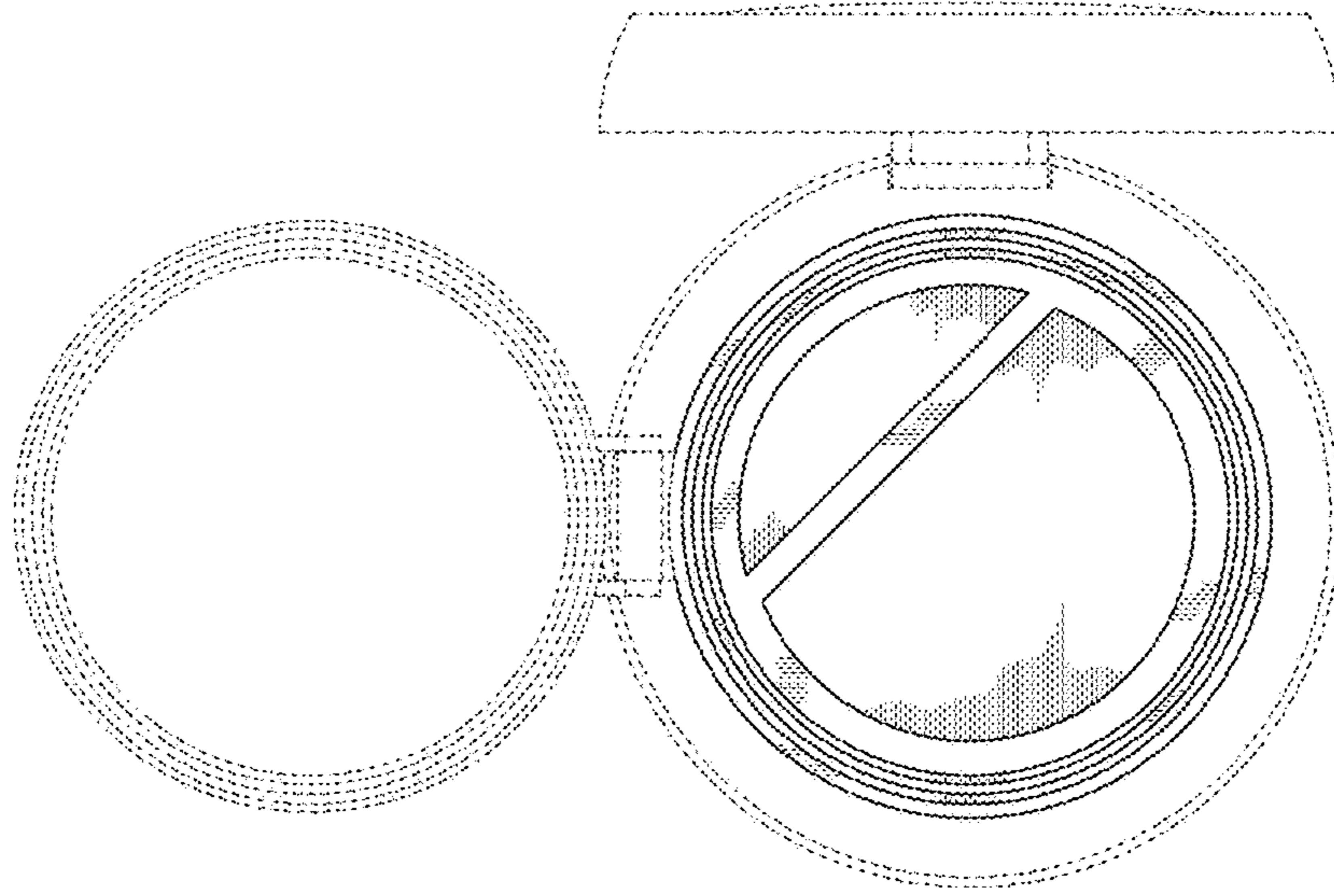


FIG. 6

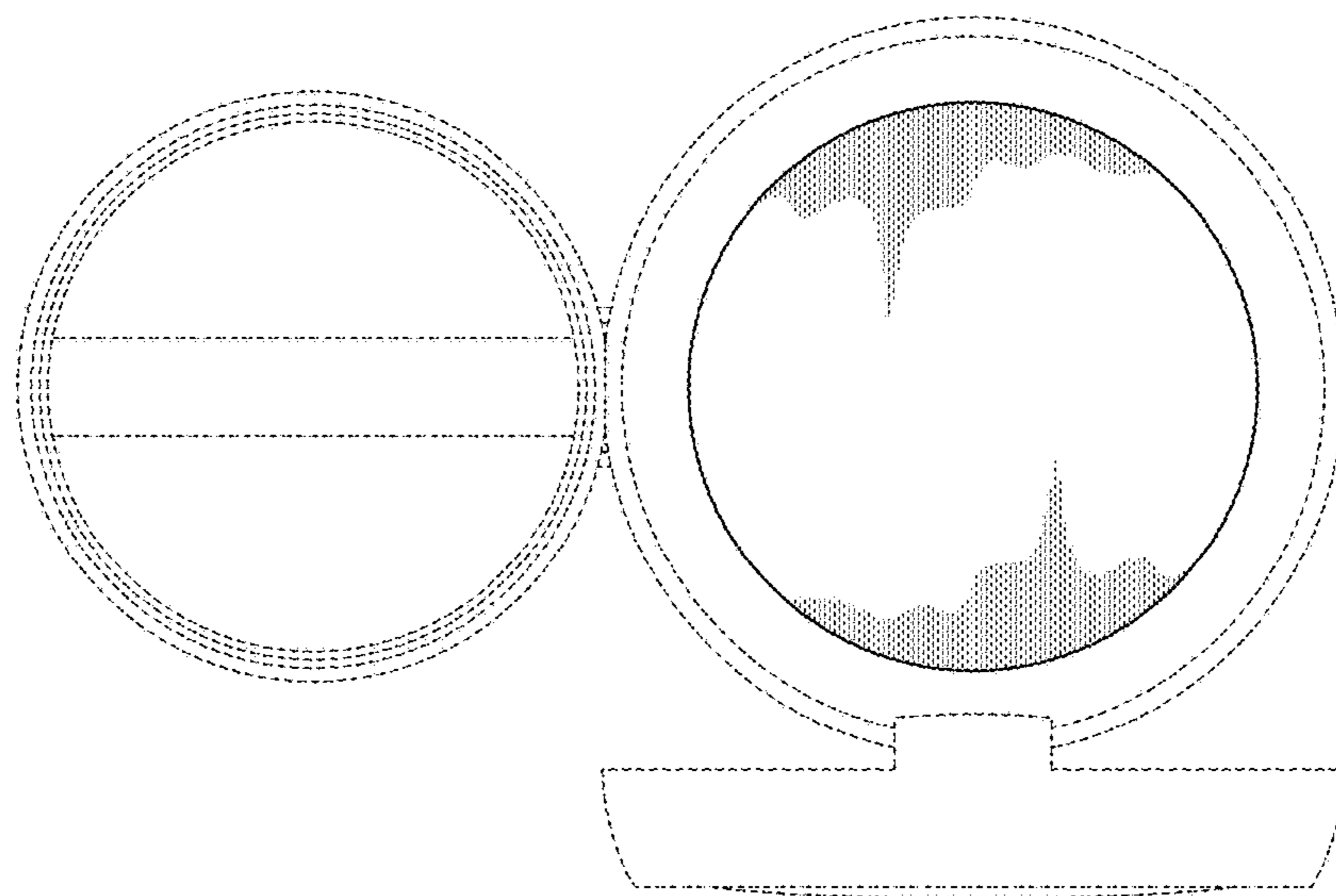


FIG. 7

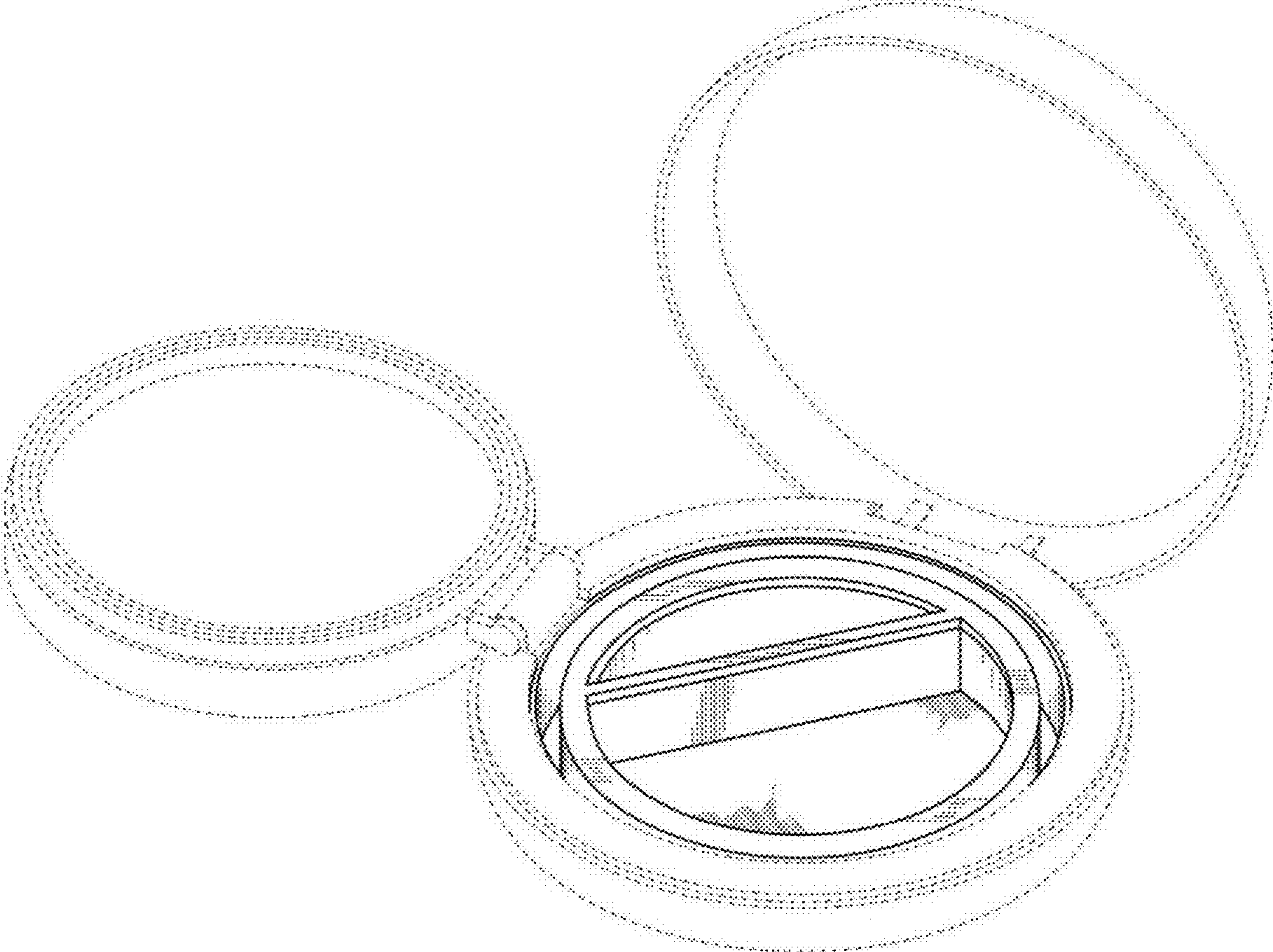


FIG. 8

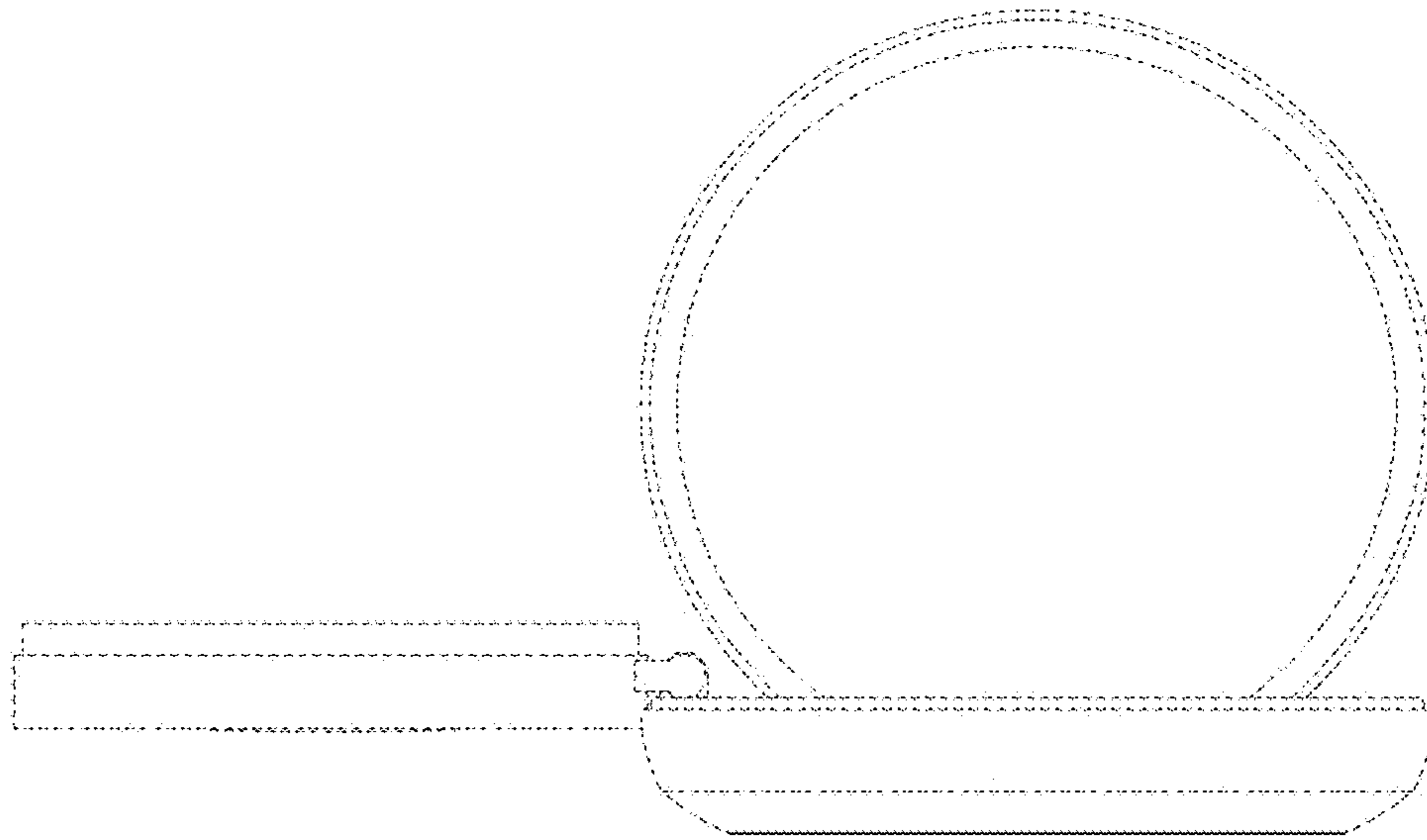


FIG. 9

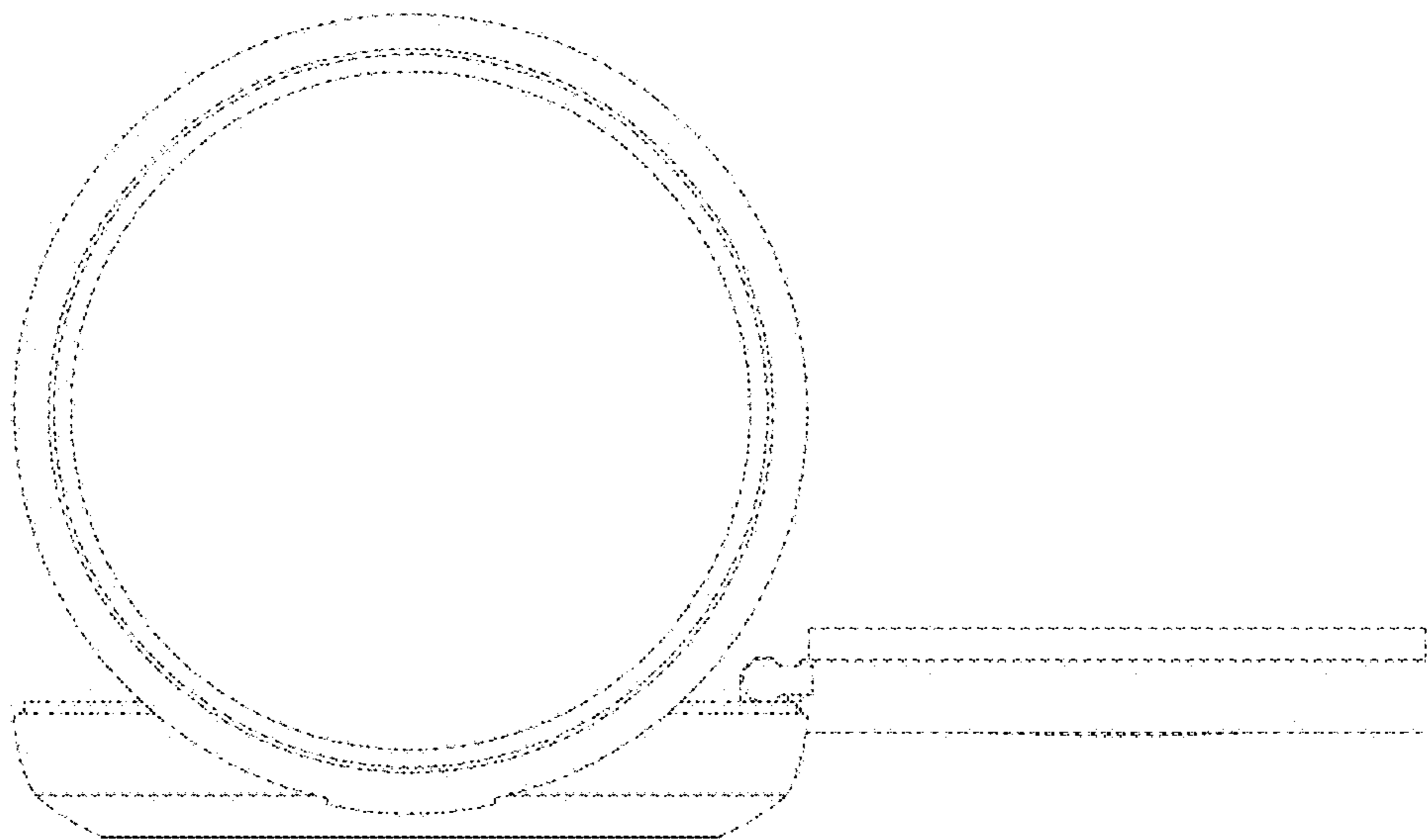


FIG. 10

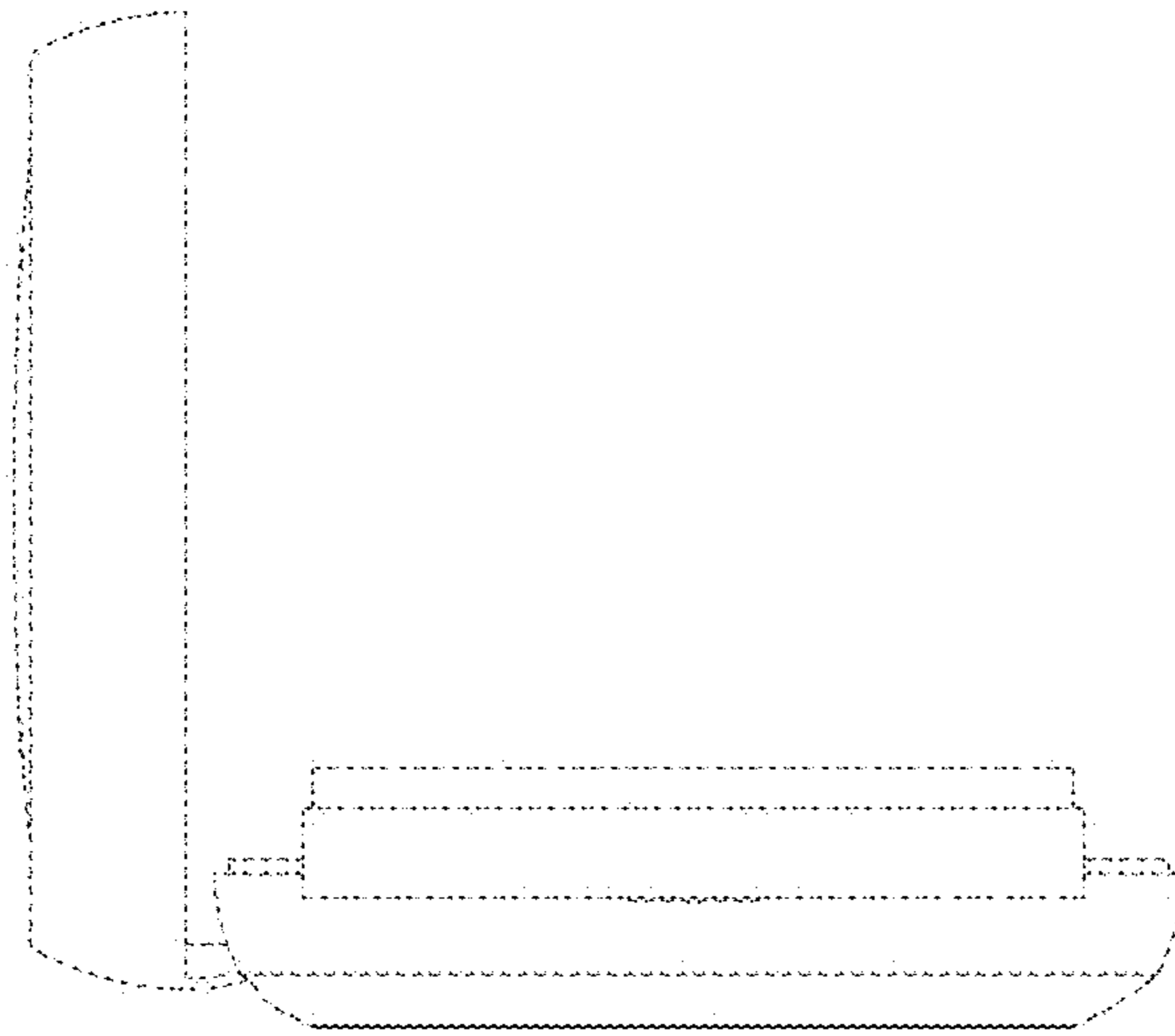


FIG. 11

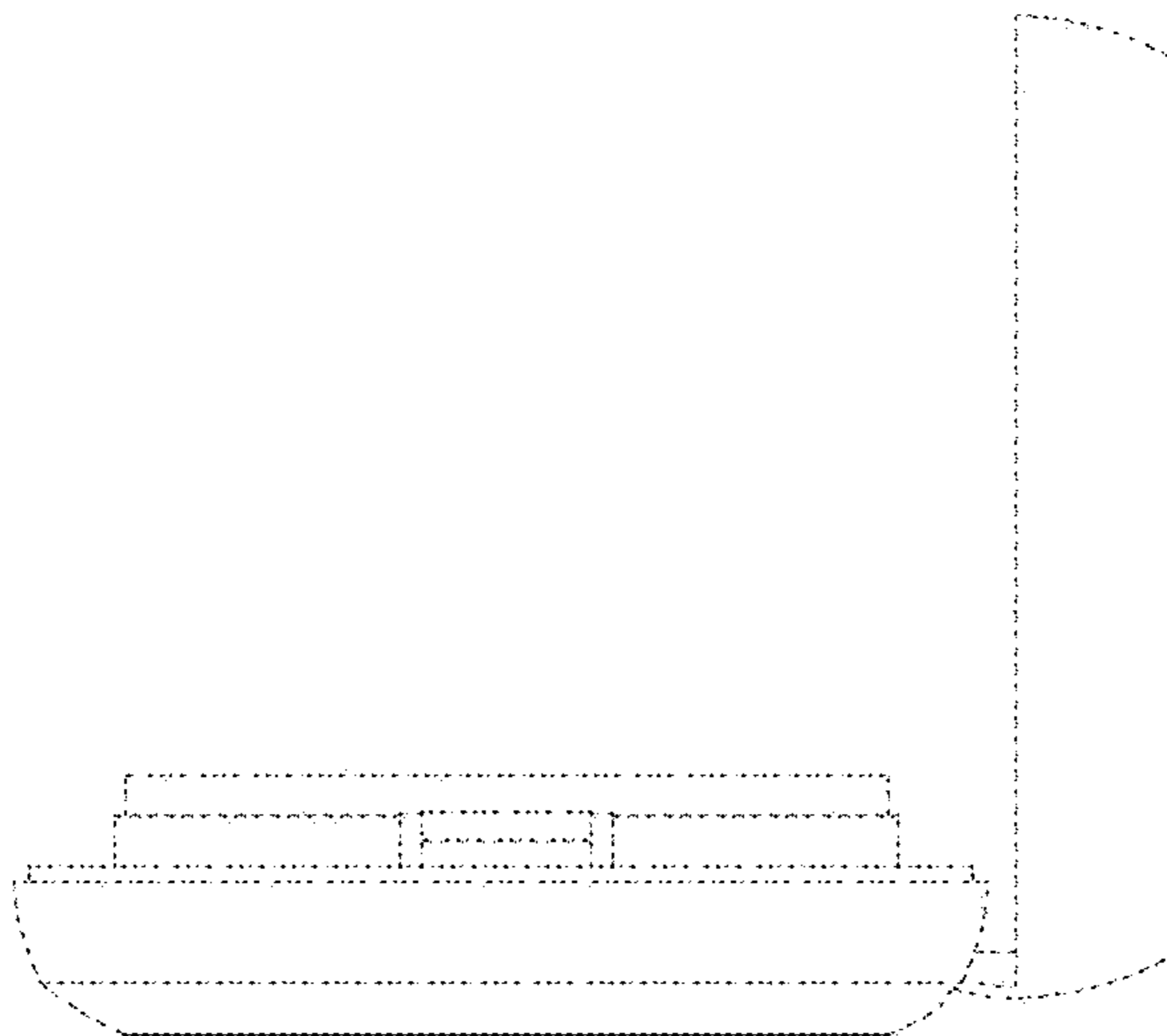


FIG. 12

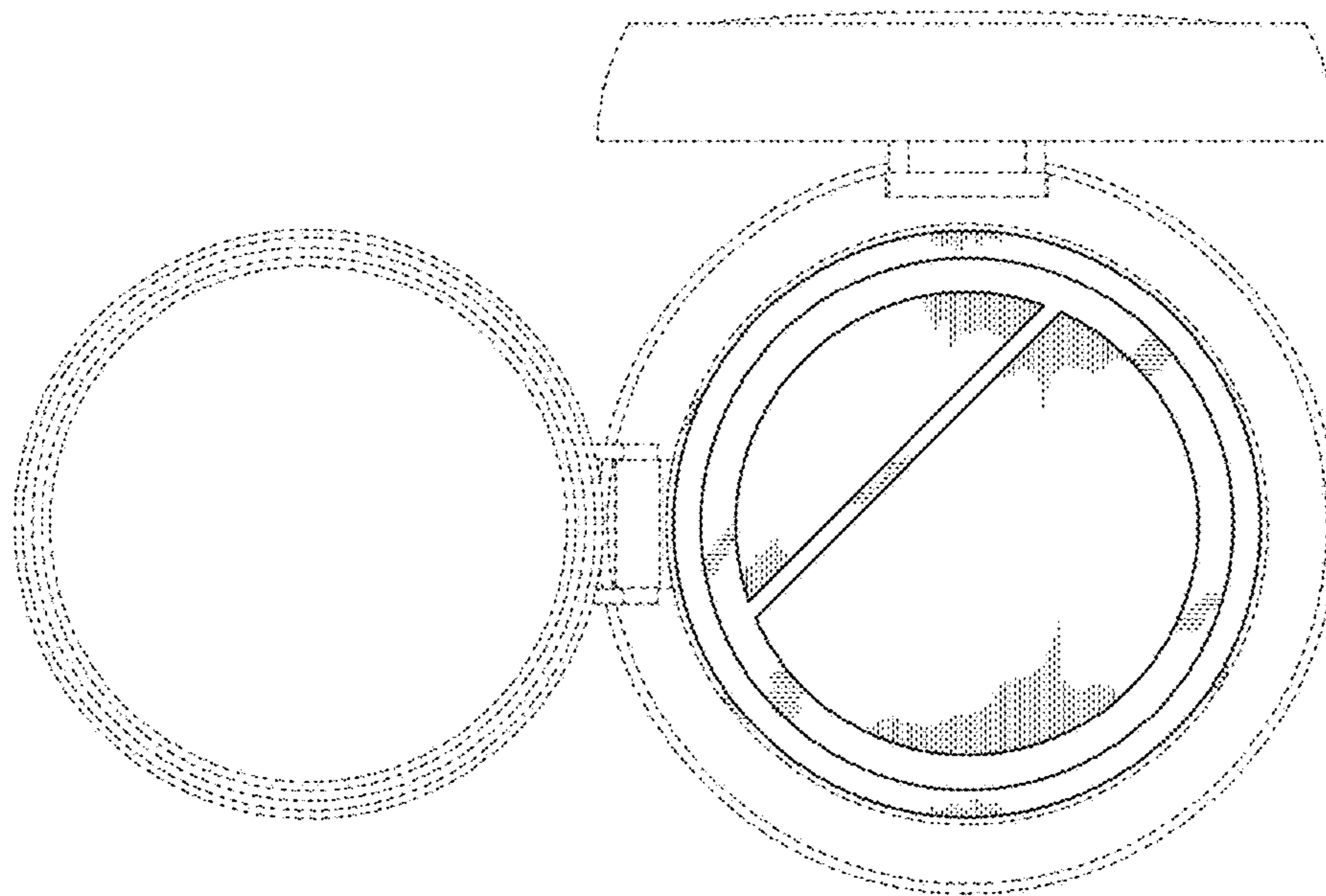


FIG. 13

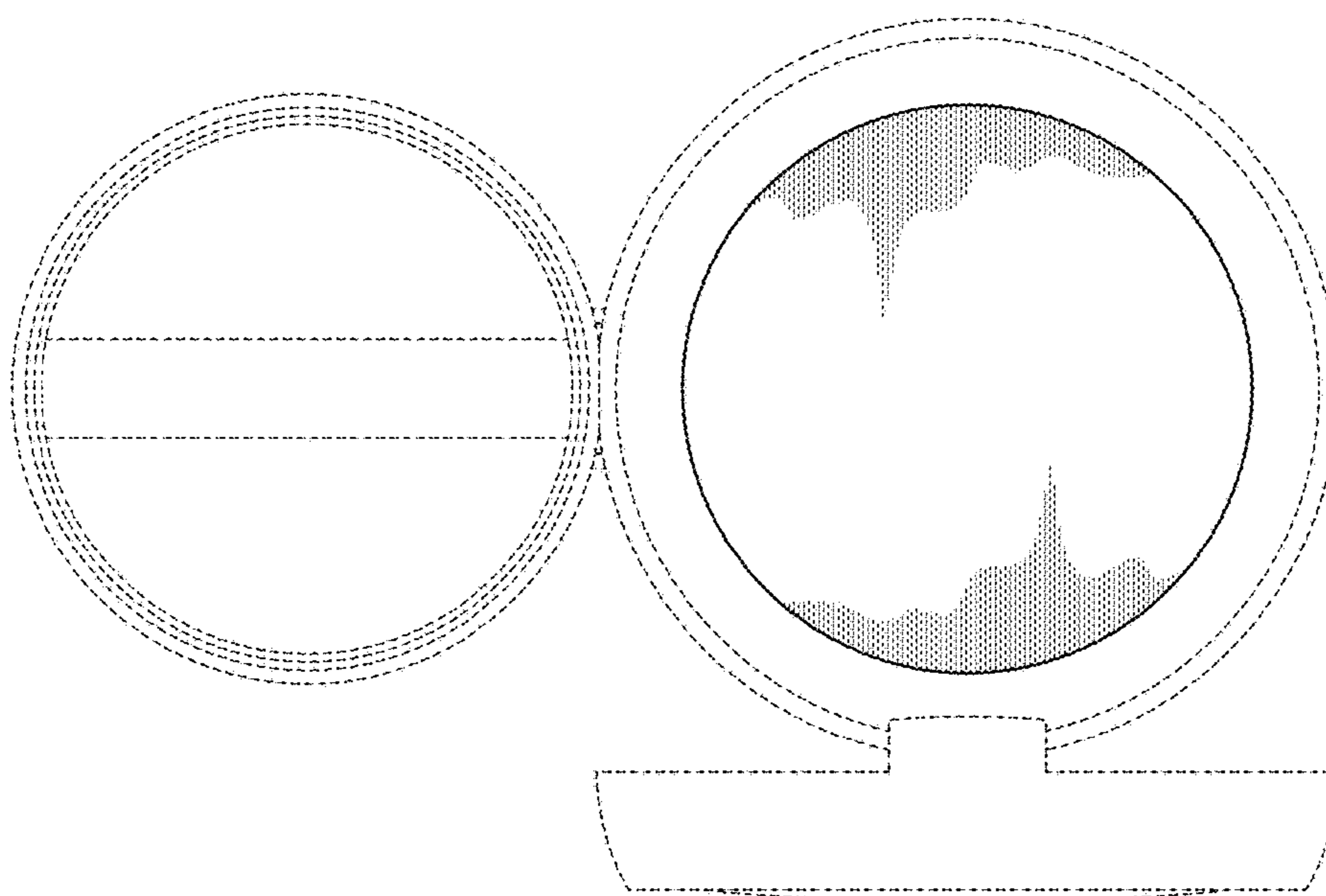


FIG. 14

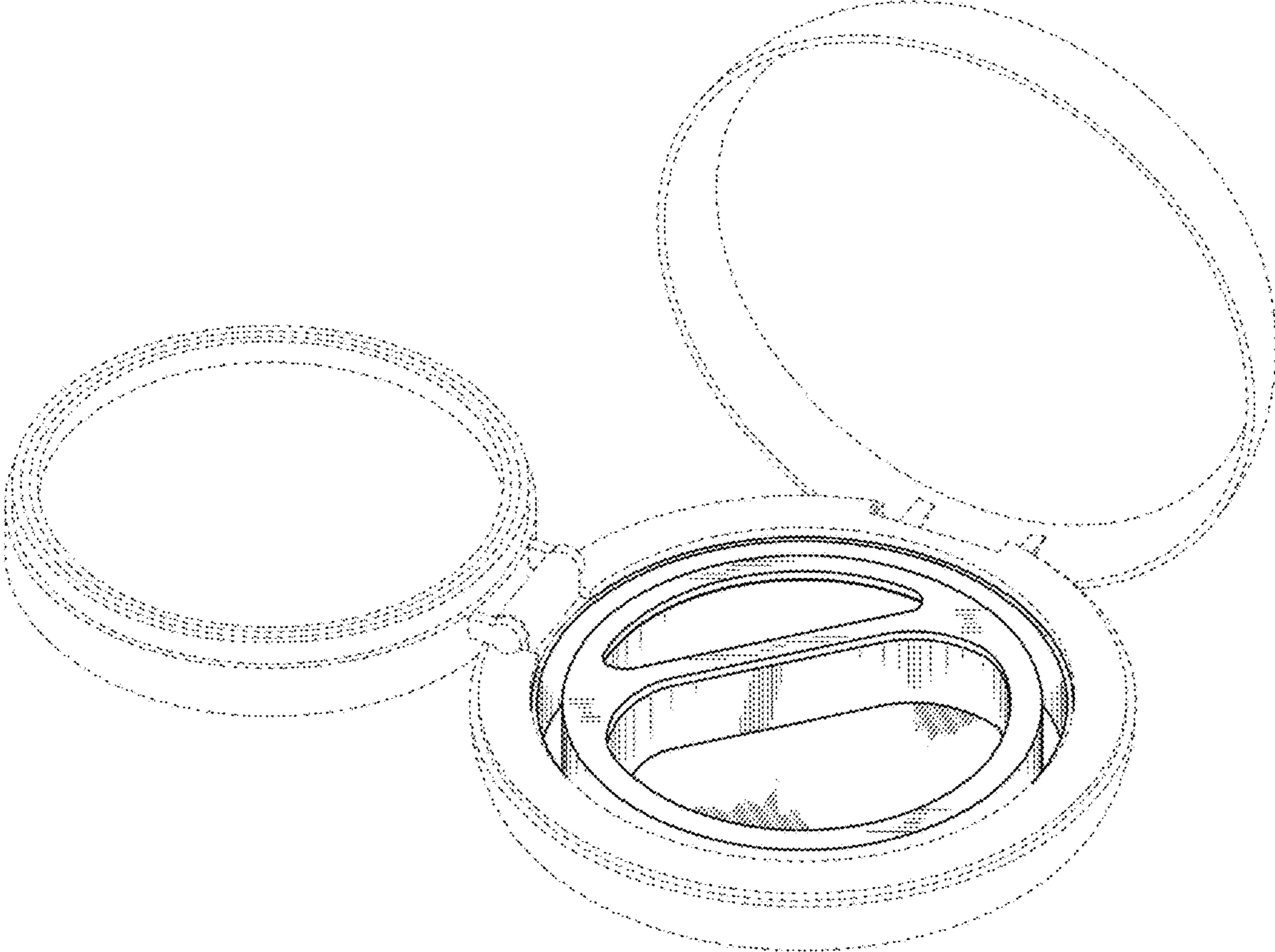


FIG. 15

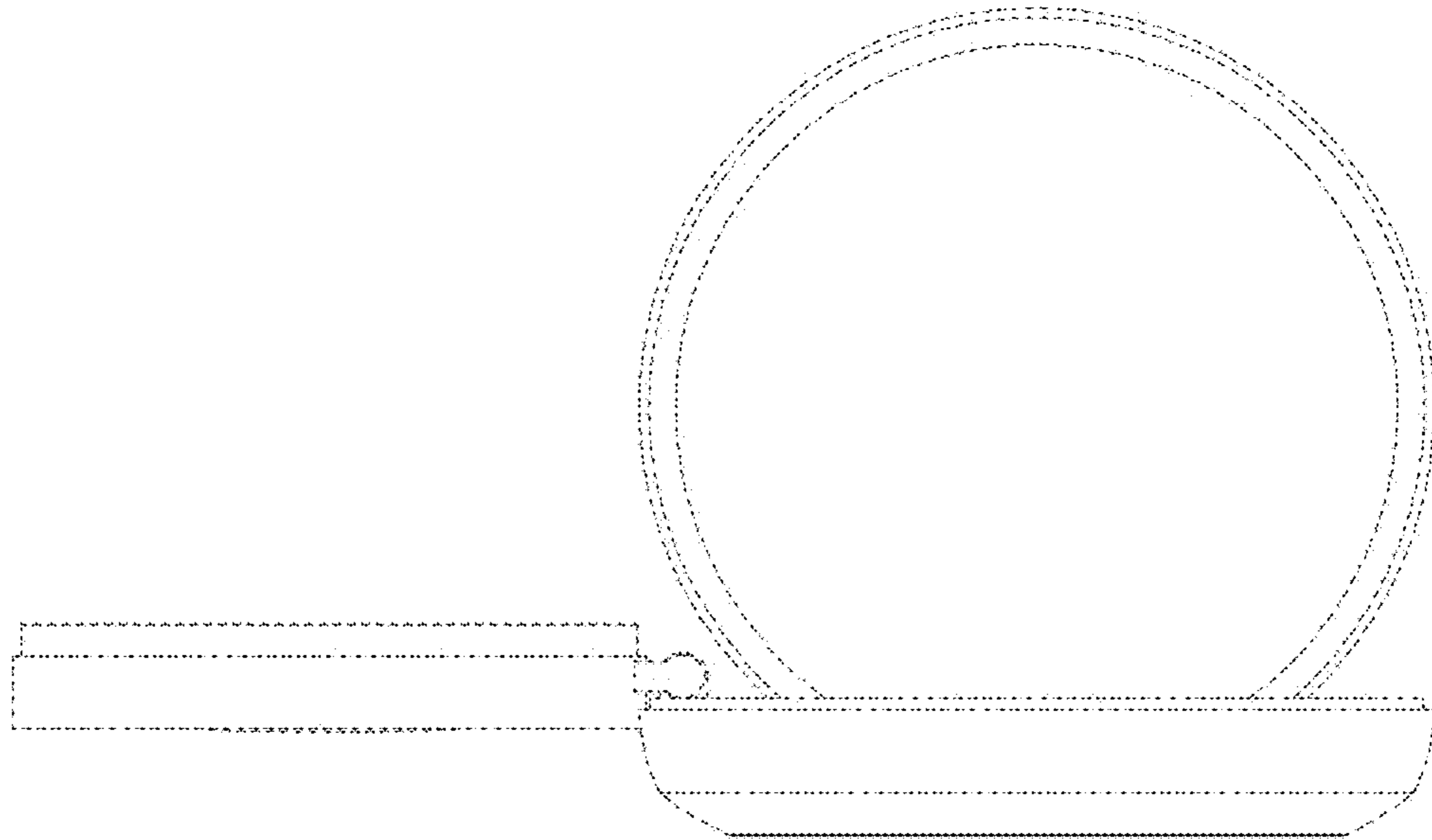


FIG. 16

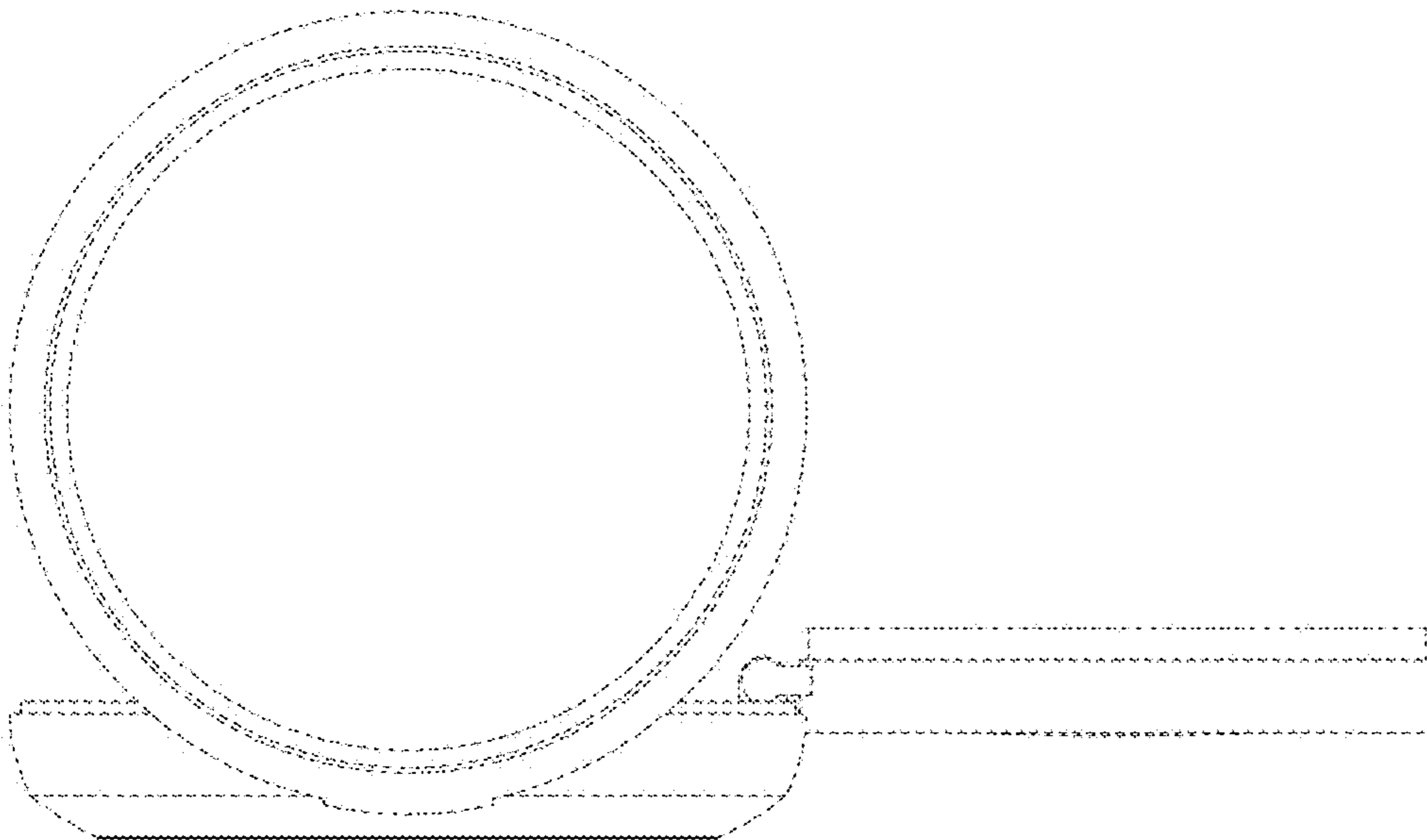


FIG. 17

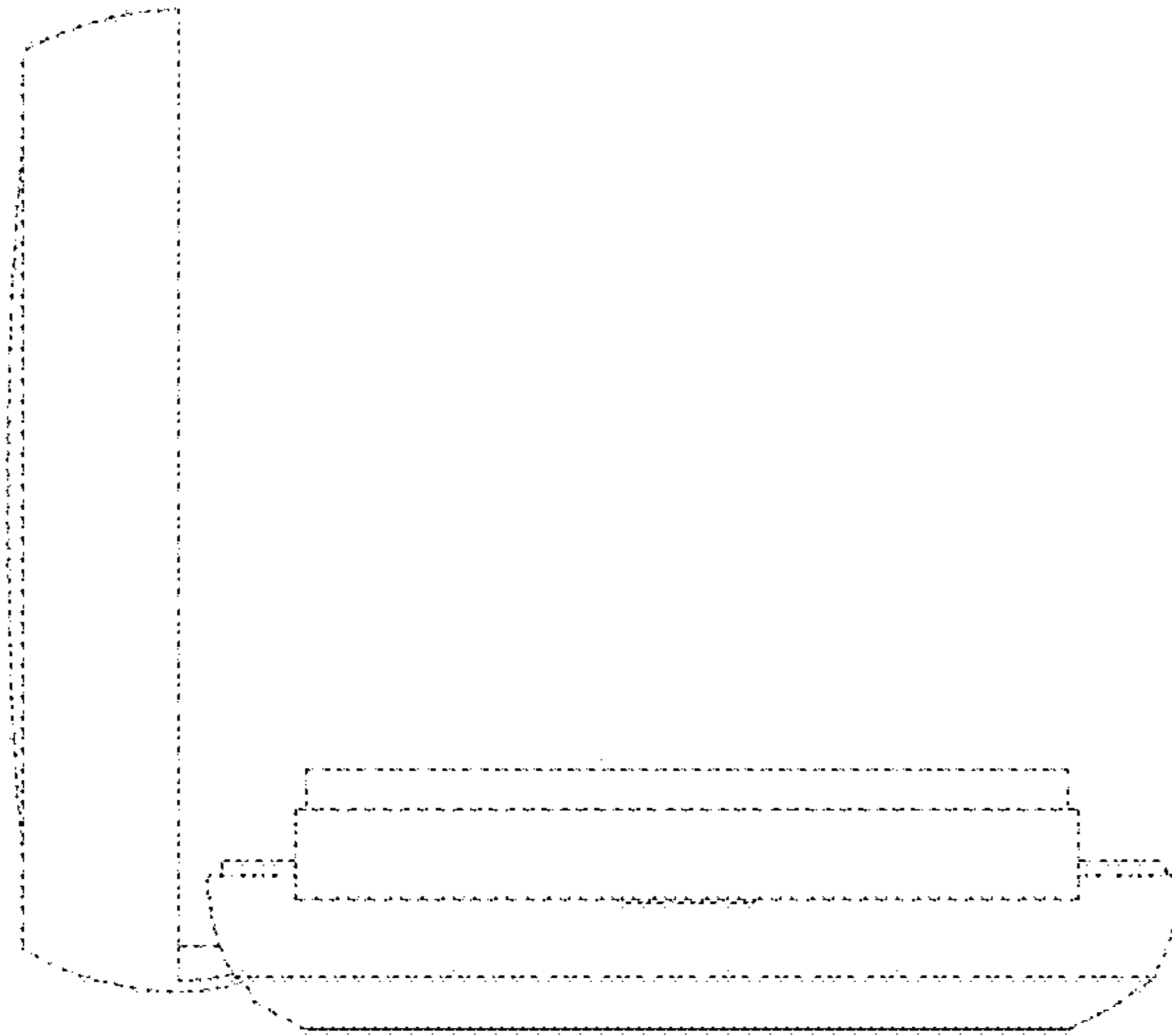


FIG. 18

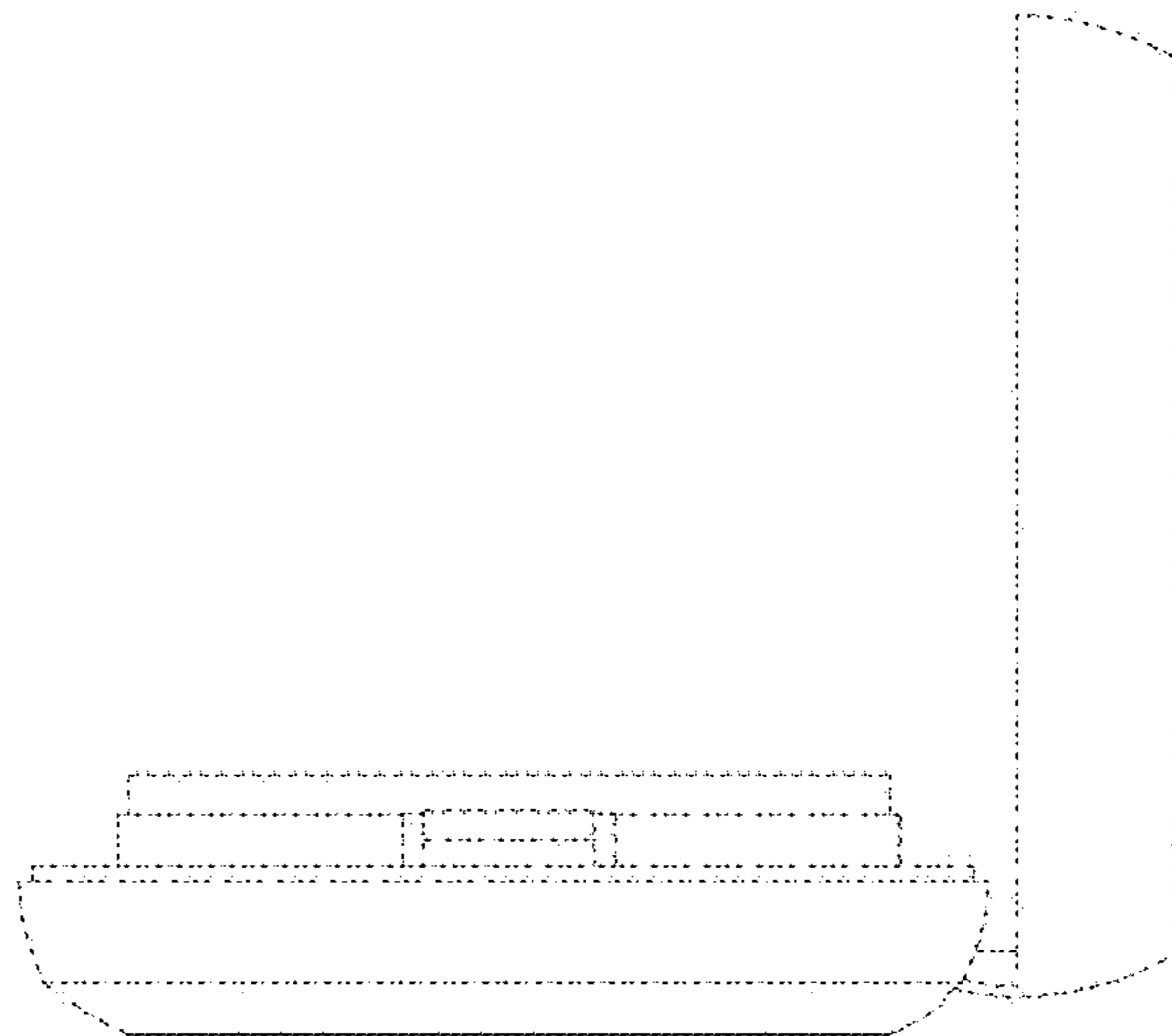


FIG. 19

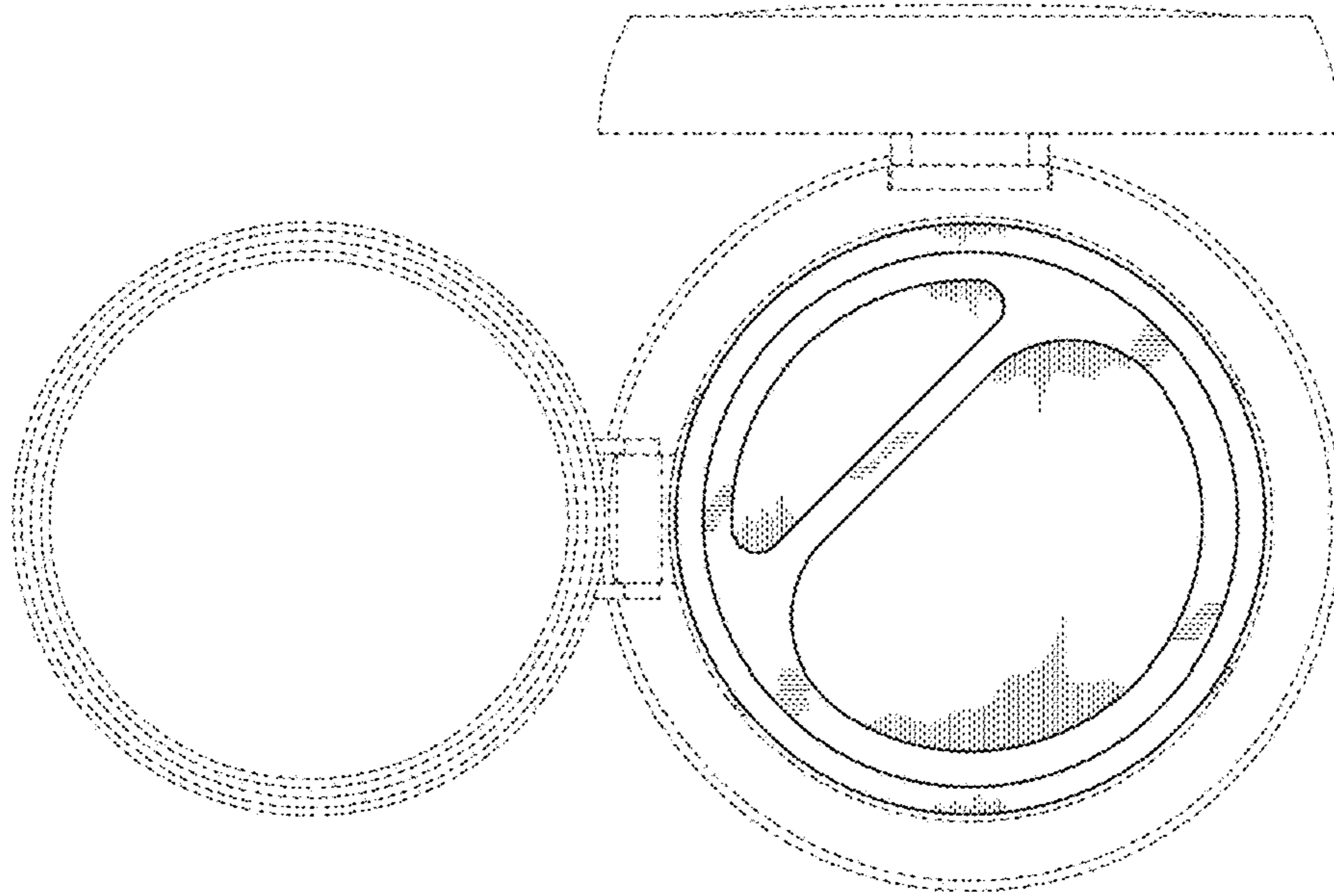


FIG. 20

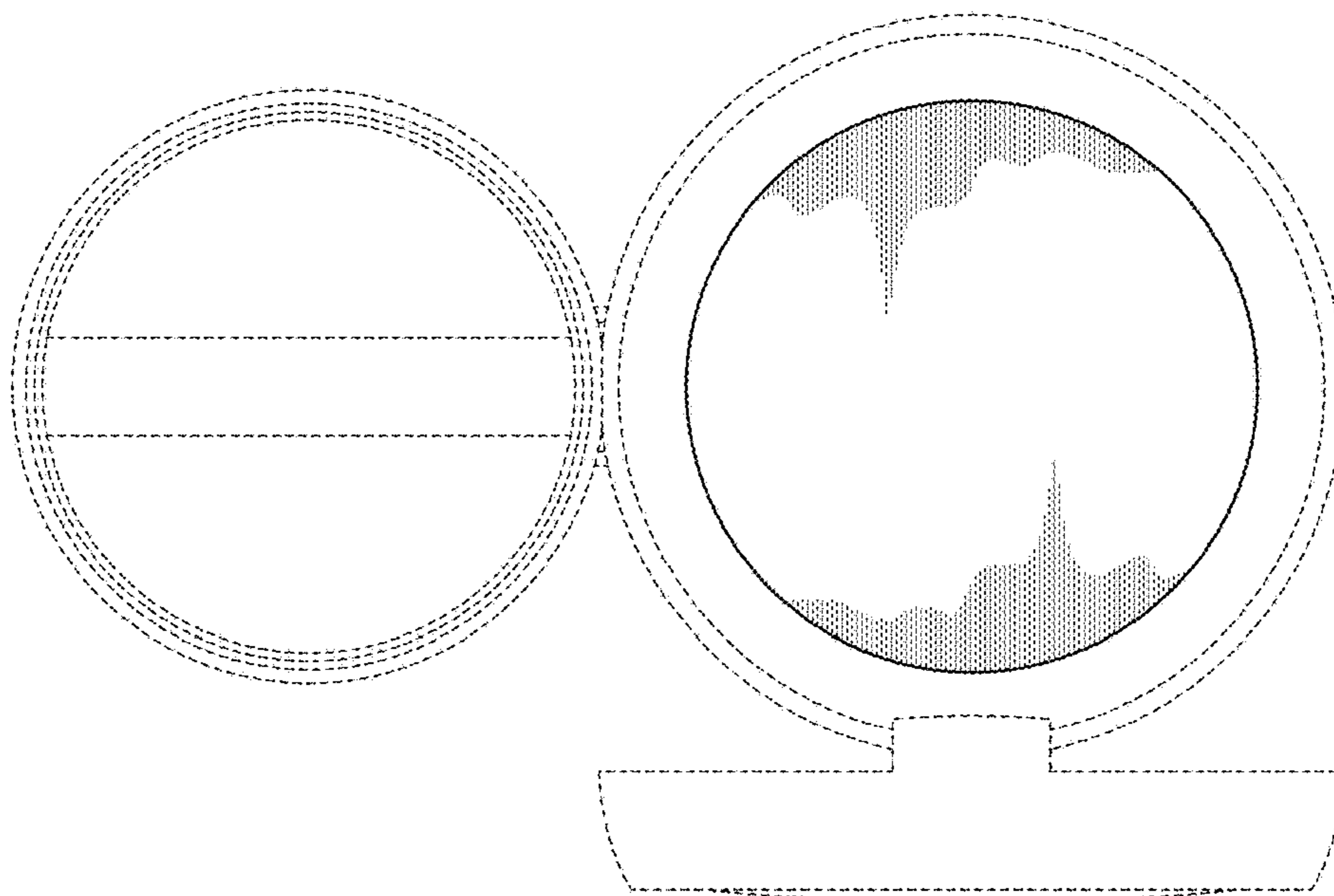


FIG. 21