



US00D861989S

(12) **United States Design Patent**
Jeong

(10) **Patent No.:** **US D861,989 S**

(45) **Date of Patent:** **** Oct. 1, 2019**

- (54) **COMPACT CONTAINER**
- (71) Applicant: **LG HOUSEHOLD & HEALTH CARE LTD**, Seoul (KR)
- (72) Inventor: **Ha Rim Jeong**, Seoul (KR)
- (73) Assignee: **LG HOUSEHOLD & HEALTH CARE LTD**, Seoul (KR)

7,083,354 B2 * 8/2006 Byun A45D 33/006
132/294
D581,597 S * 11/2008 Martinez D28/82
D635,303 S * 3/2011 Chung D28/83
D721,853 S * 1/2015 Koo D28/82
D722,404 S * 2/2015 Son D28/82

(Continued)

Primary Examiner — Shannon W Morgan
Assistant Examiner — Altaira J Swangin

- (**) Term: **15 Years**
- (21) Appl. No.: **29/592,609**

(57) **CLAIM**

The ornamental design for a compact container, as shown and described herein.

- (22) Filed: **Jan. 31, 2017**

DESCRIPTION

(30) **Foreign Application Priority Data**

Dec. 16, 2016 (KR) 30-2016-0061282

- (51) **LOC (12) Cl.** **28-03**

- (52) **U.S. Cl.**
USPC **D28/78**

- (58) **Field of Classification Search**
USPC D28/76-78, 81-84; 132/294, 303-305,
132/314-318; D3/205, 901; 206/542,
206/581, 823; D9/426, 430, 432, 549
CPC A45D 40/00; A45D 40/18; A45D 40/0087;
A45D 40/222; A45D 33/00; A45D
33/006; A45D 33/025; A45D 2040/225;
A45D 2034/007; A45D 33/008; A45D
33/003; A45D 33/18; A45D 33/16
See application file for complete search history.

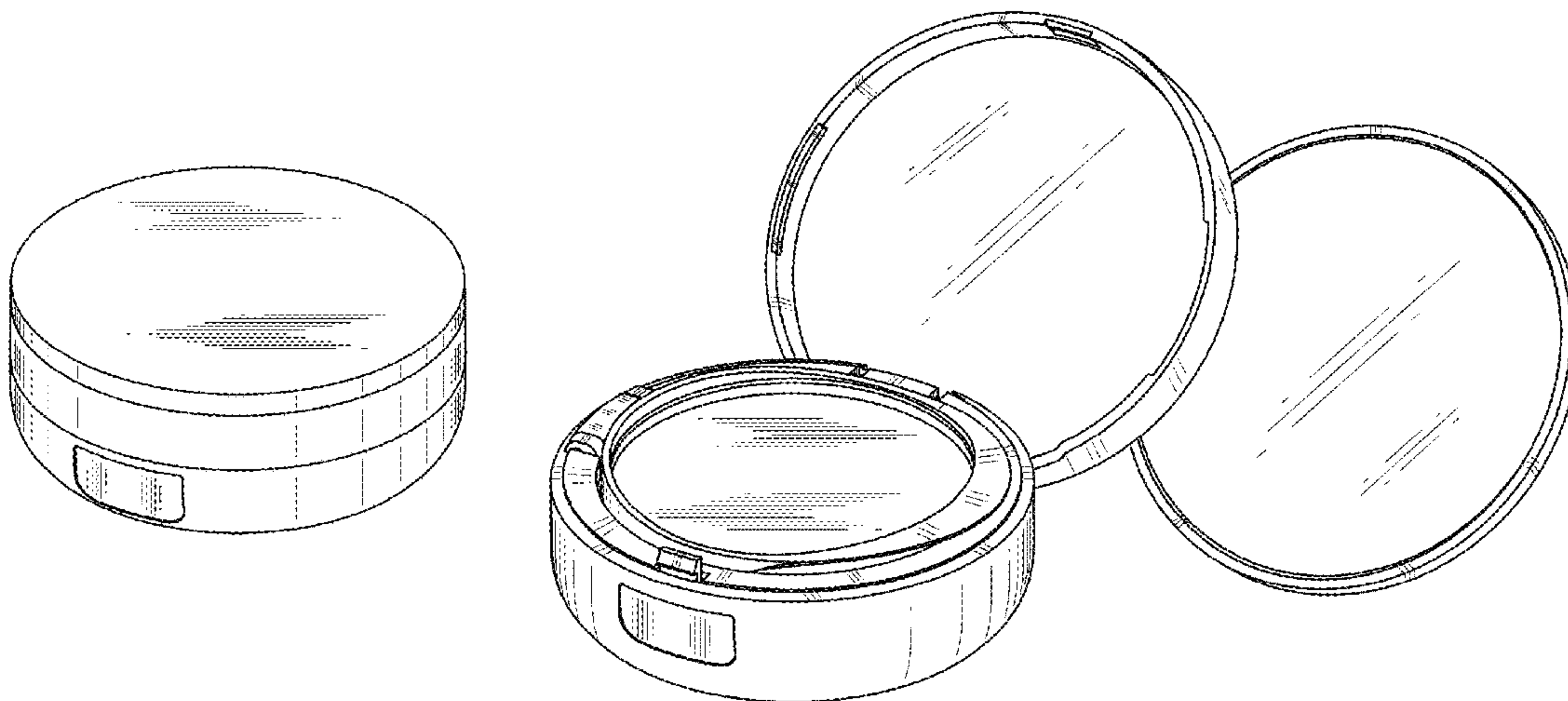
FIG. 1 is a top, front, right perspective view of a compact container showing my new design;
FIG. 2 is a front elevational view thereof;
FIG. 3 is a rear elevational view thereof;
FIG. 4 is a left side elevational view thereof, the right side elevational view being a mirror image;
FIG. 5 is a top plan view thereof;
FIG. 6 is a bottom plan view thereof;
FIG. 7 is a top, front, right perspective view thereof, wherein the cover is in an opened position;
FIG. 8 is a front elevational view thereof, wherein the cover is in an opened position;
FIG. 9 is a rear elevational view thereof, wherein the cover is in an opened position;
FIG. 10 is a left side elevational view thereof, wherein the cover is in an opened position;
FIG. 11 is a right side elevational view thereof, wherein the cover is in an opened position;
FIG. 12 is a top plan elevational view thereof, wherein the cover is in an opened position; and,
FIG. 13 is a bottom plan elevational view thereof, wherein the cover is in an opened position.
The broken line in FIGS. 6 and 13 depicts a boundary line, where the area inside of the boundary line does not form any part of the claimed design.

(56) **References Cited**

U.S. PATENT DOCUMENTS

- 3,392,868 A * 7/1968 Pfrommer A45D 33/22
220/4.27
- 3,476,123 A * 11/1969 Flax A45D 33/28
132/315
- 6,041,935 A * 3/2000 Yang A45C 11/00
206/509

1 Claim, 8 Drawing Sheets



(56)

References Cited

U.S. PATENT DOCUMENTS

D722,405 S * 2/2015 Hwang D28/82
D726,377 S * 4/2015 Koo D28/82
D732,740 S * 6/2015 Yoon D28/82
D788,371 S * 5/2017 Lee D28/82
9,867,447 B1 * 1/2018 Kim A45D 40/24
9,936,791 B2 * 4/2018 Kim A45D 33/008
9,968,174 B2 * 5/2018 Seo A45D 33/006
10,206,480 B2 * 2/2019 Kim A45D 40/22
10,206,482 B2 * 2/2019 Sugita A45D 33/008
10,292,478 B2 * 5/2019 Montoli A45D 33/008
2008/0190444 A1 * 8/2008 Bennett A45D 33/006
132/306
2014/0283870 A1 * 9/2014 Byeon A45D 33/006
132/315
2017/0020263 A1 * 1/2017 Chang A45D 33/003
2017/0086560 A1 * 3/2017 Pires A45D 33/32
2017/0127799 A1 * 5/2017 Chung A45D 33/008
2017/0172284 A1 * 6/2017 Delia A45D 40/22
2017/0224087 A1 * 8/2017 Kim A45D 40/0075
2017/0280851 A1 * 10/2017 Lee B65D 51/24
2017/0303662 A1 * 10/2017 Jeong A45D 33/008
2018/0049534 A1 * 2/2018 Kim A45D 33/006
2018/0116368 A1 * 5/2018 Kim A45D 34/00
2018/0140073 A1 * 5/2018 Chang A45D 40/0075
2018/0177277 A1 * 6/2018 Dinata A45D 33/008
2018/0192760 A1 * 7/2018 Lee A45D 33/00
2018/0199693 A1 * 7/2018 Chung A45D 33/006
2019/0015303 A1 * 1/2019 Jung B65D 83/00
2019/0021468 A1 * 1/2019 Zhan A45D 33/24
2019/0053604 A1 * 2/2019 Bardon A45D 34/04
2019/0090610 A1 * 3/2019 Lee A45D 33/24
2019/0098985 A1 * 4/2019 Byeon B65D 83/00
2019/0133294 A1 * 5/2019 Jung A45D 40/00
2019/0150591 A1 * 5/2019 Song A45D 40/0075

* cited by examiner

FIG. 1

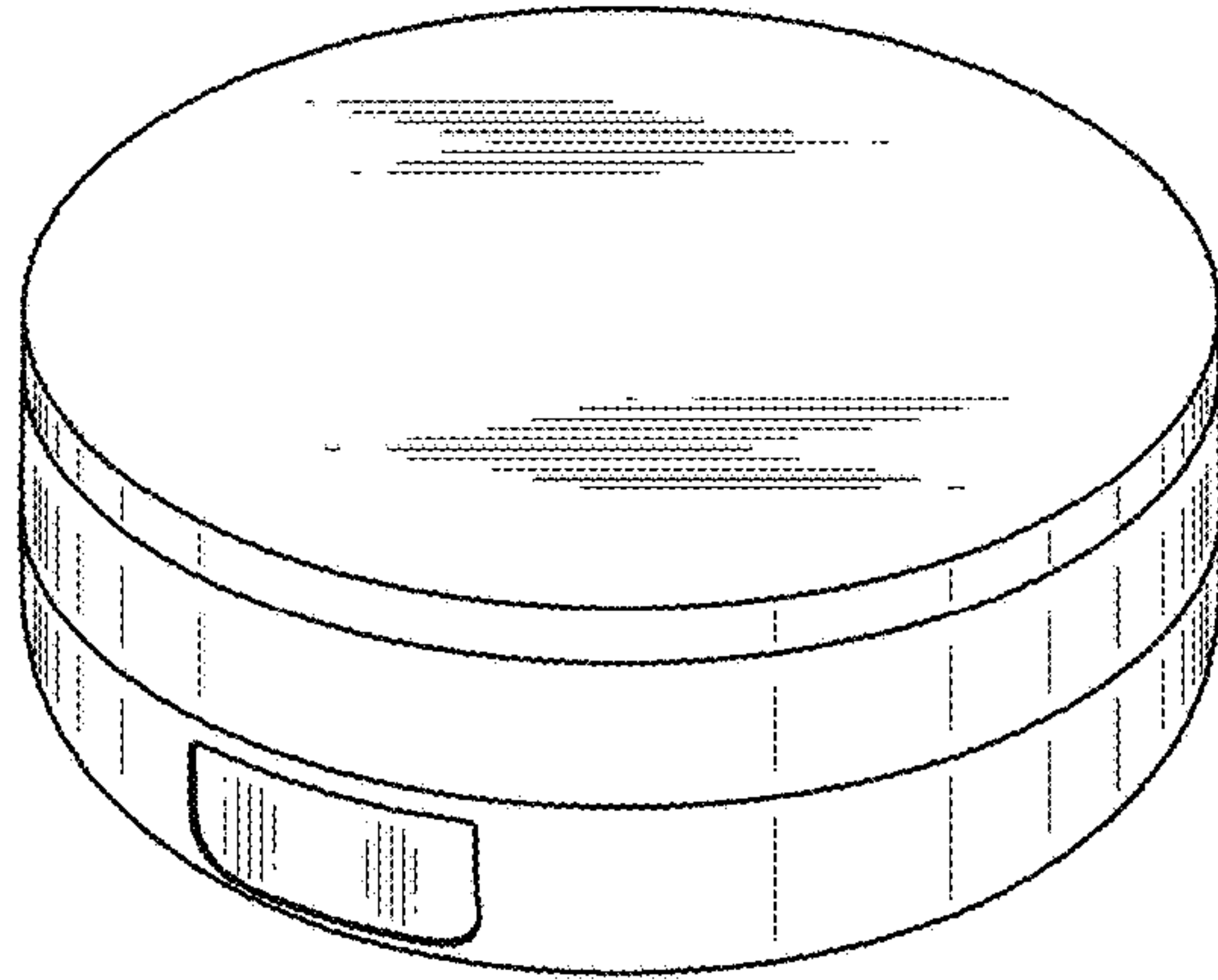


FIG. 2

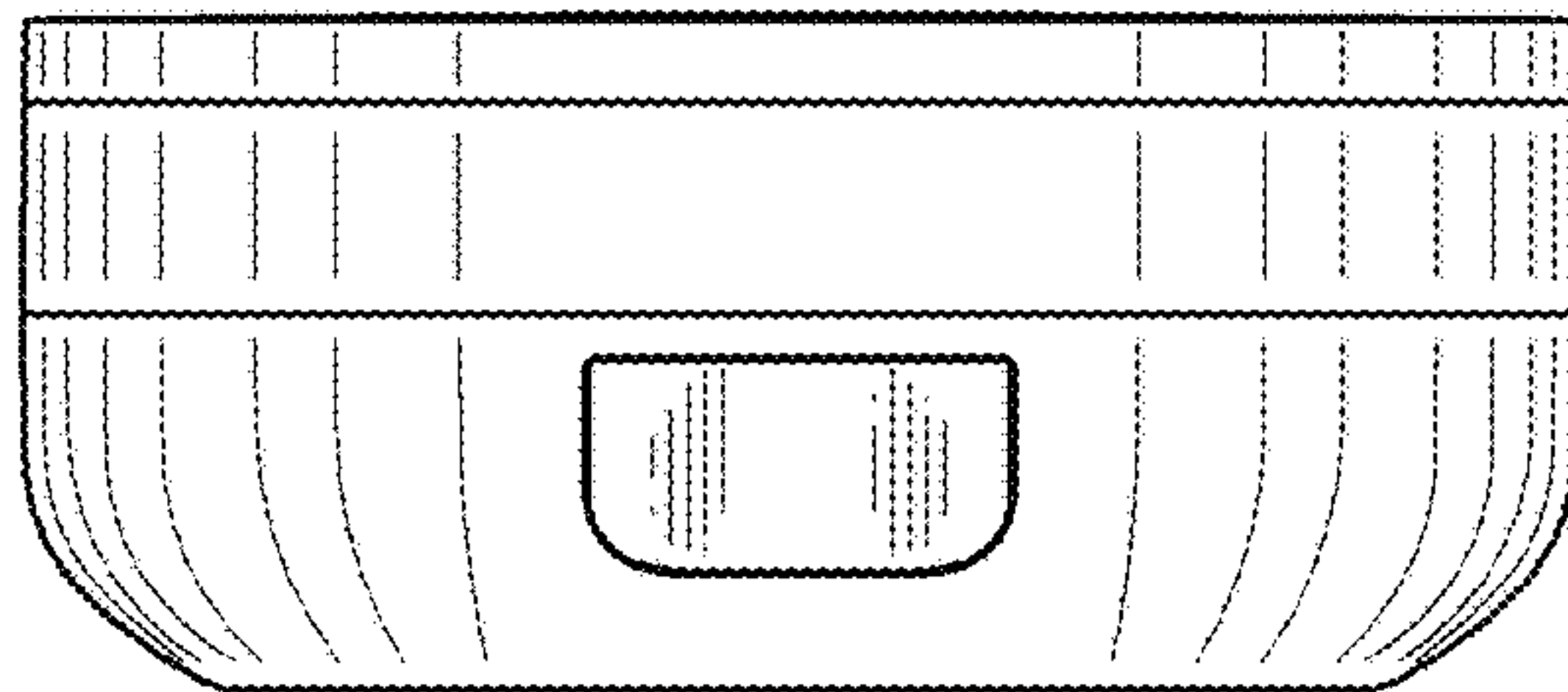


FIG. 3

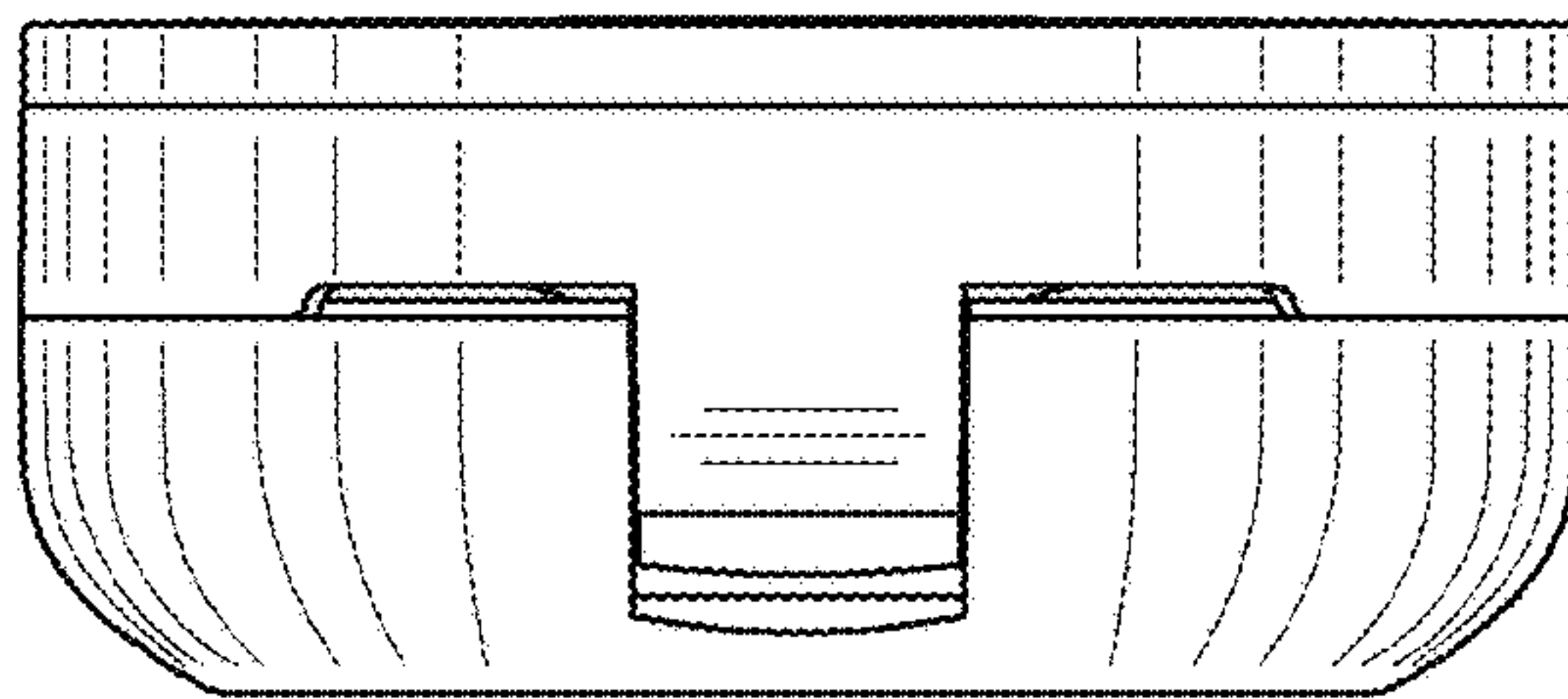


FIG. 4

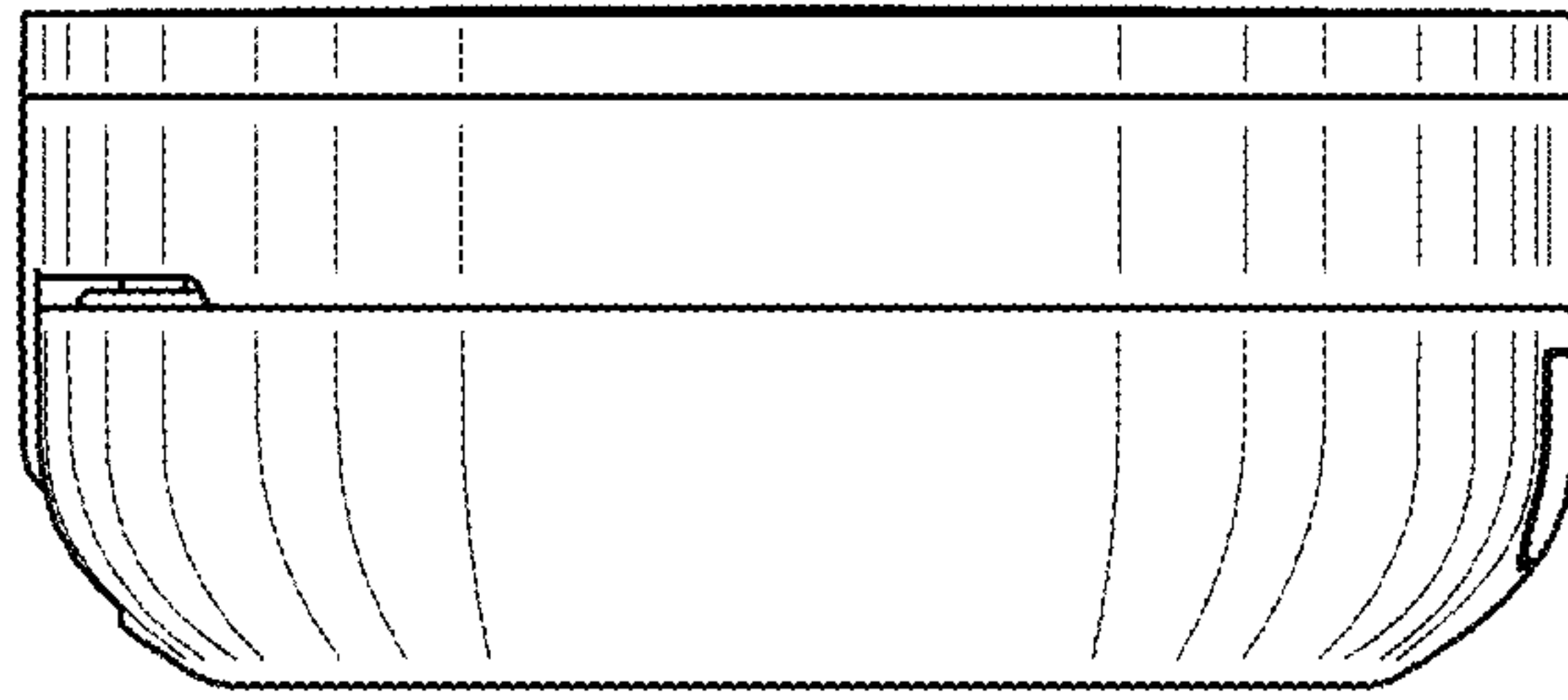


FIG. 5

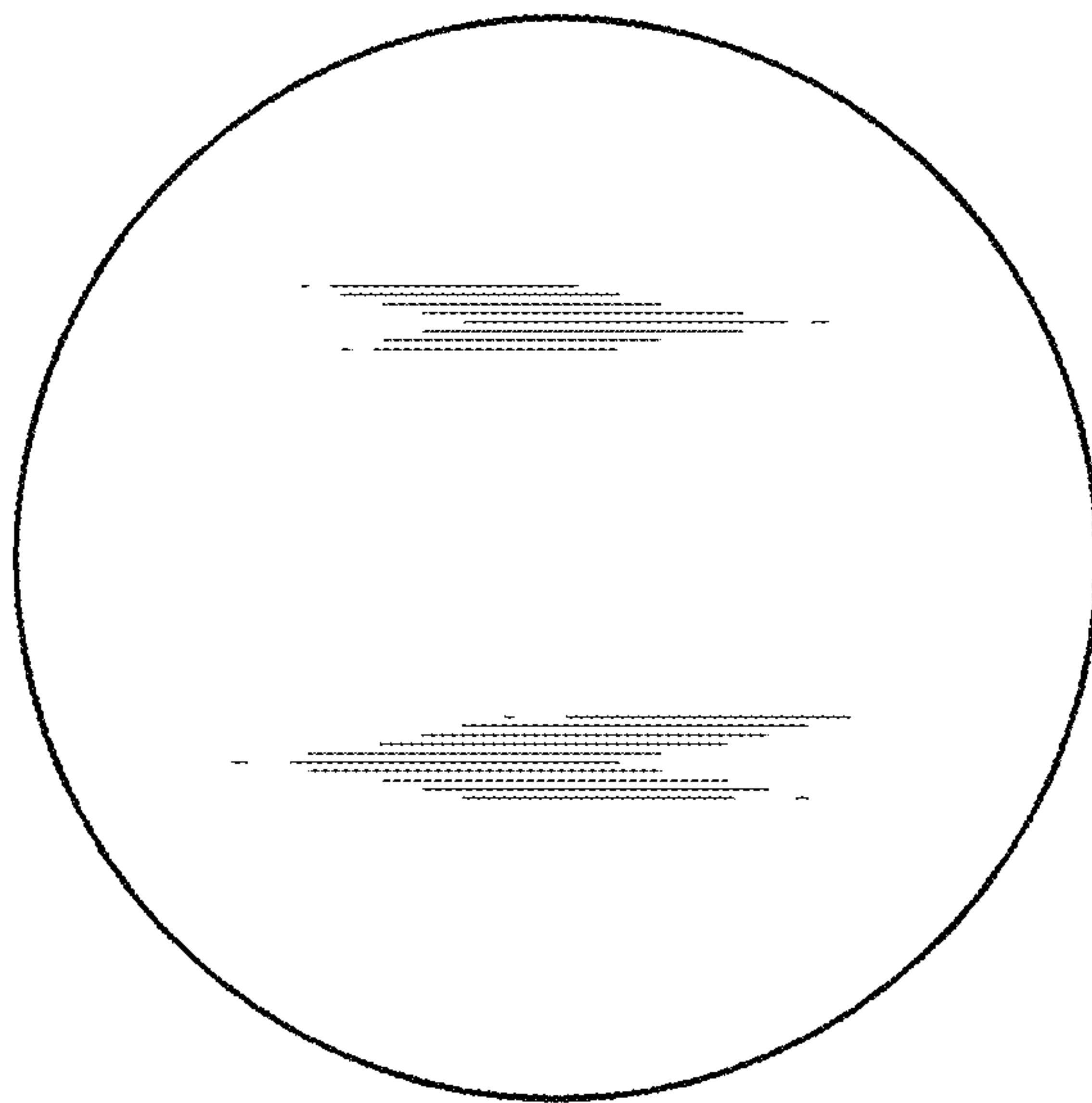


FIG. 6

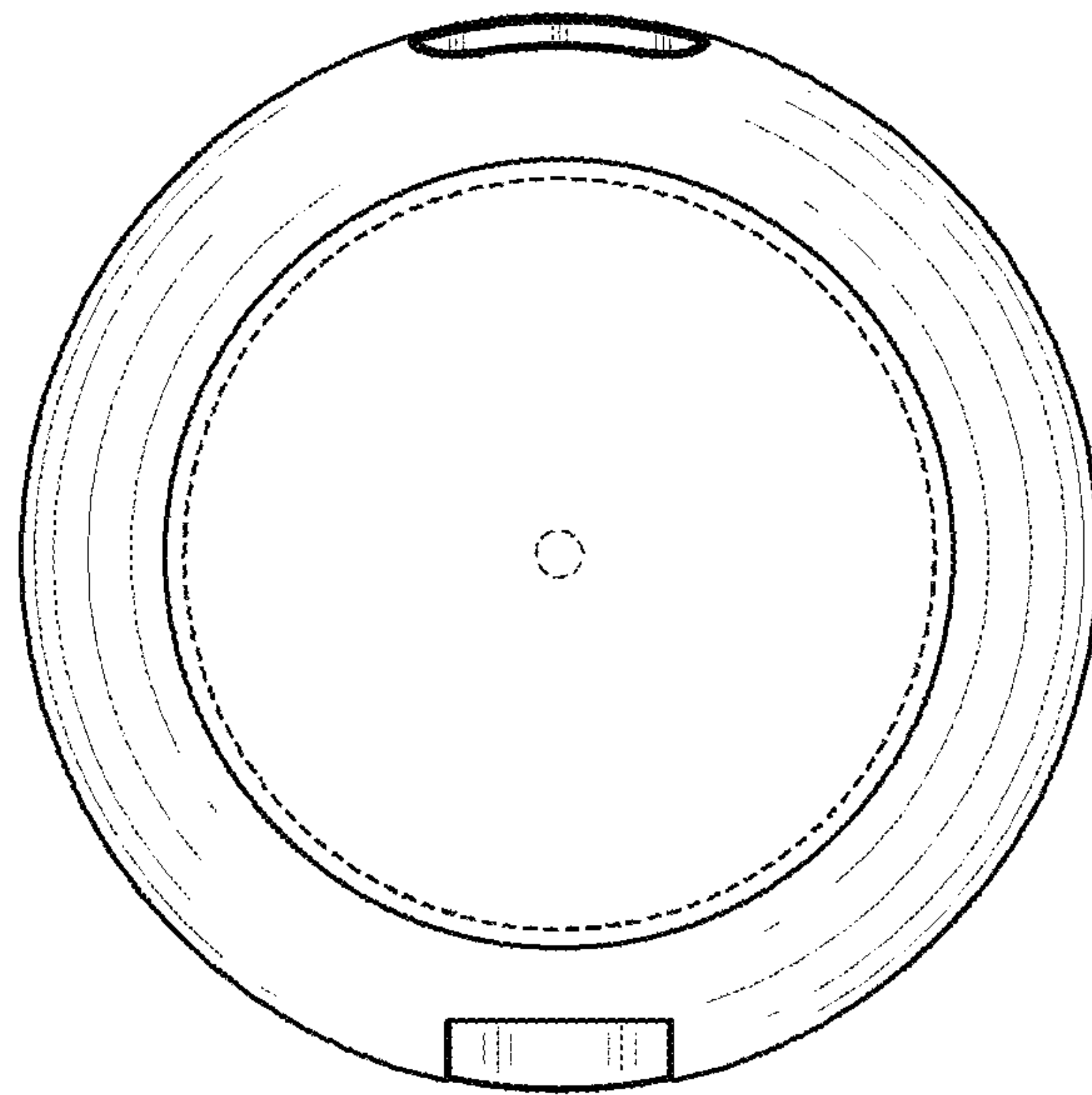


FIG. 7

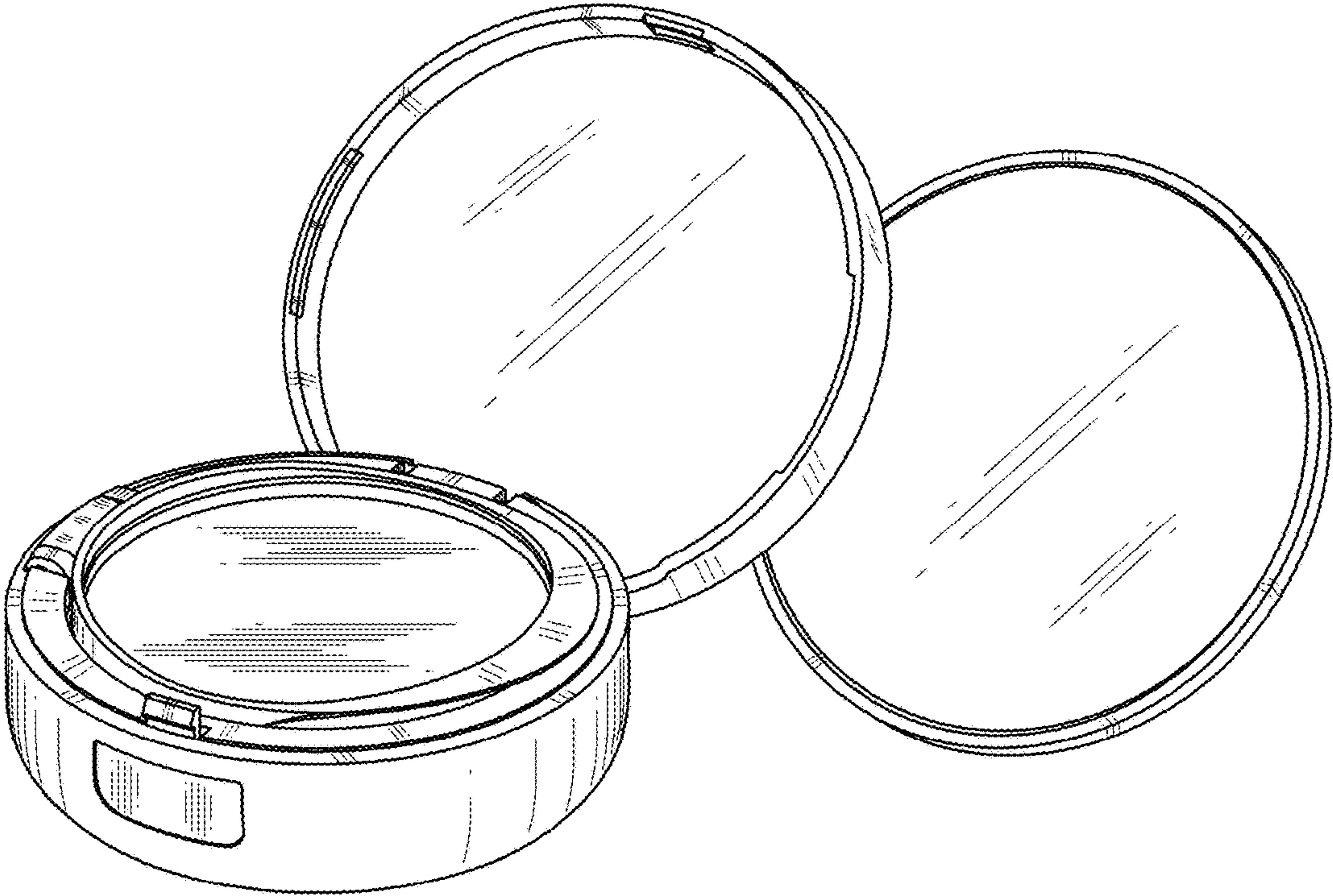


FIG. 8

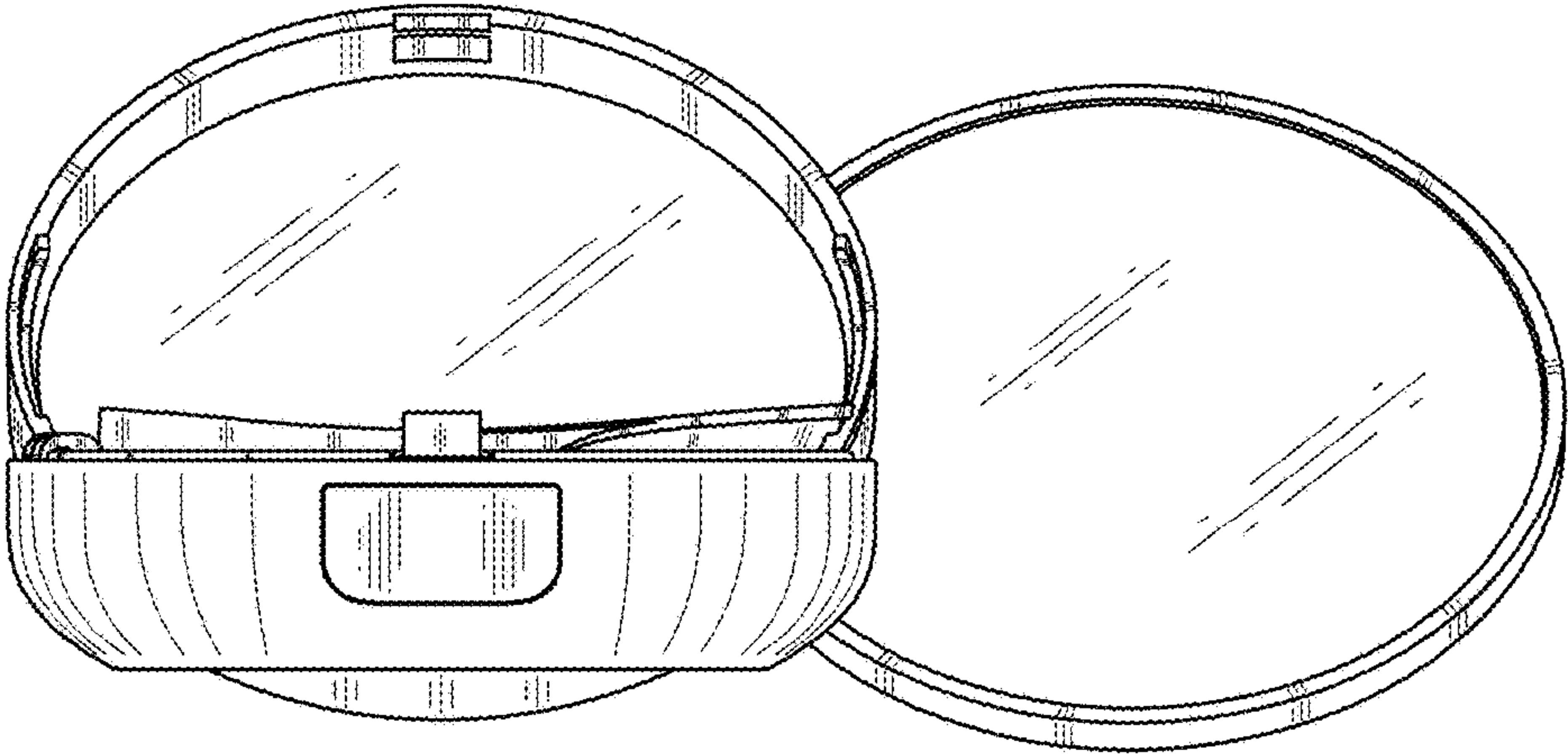


FIG. 9

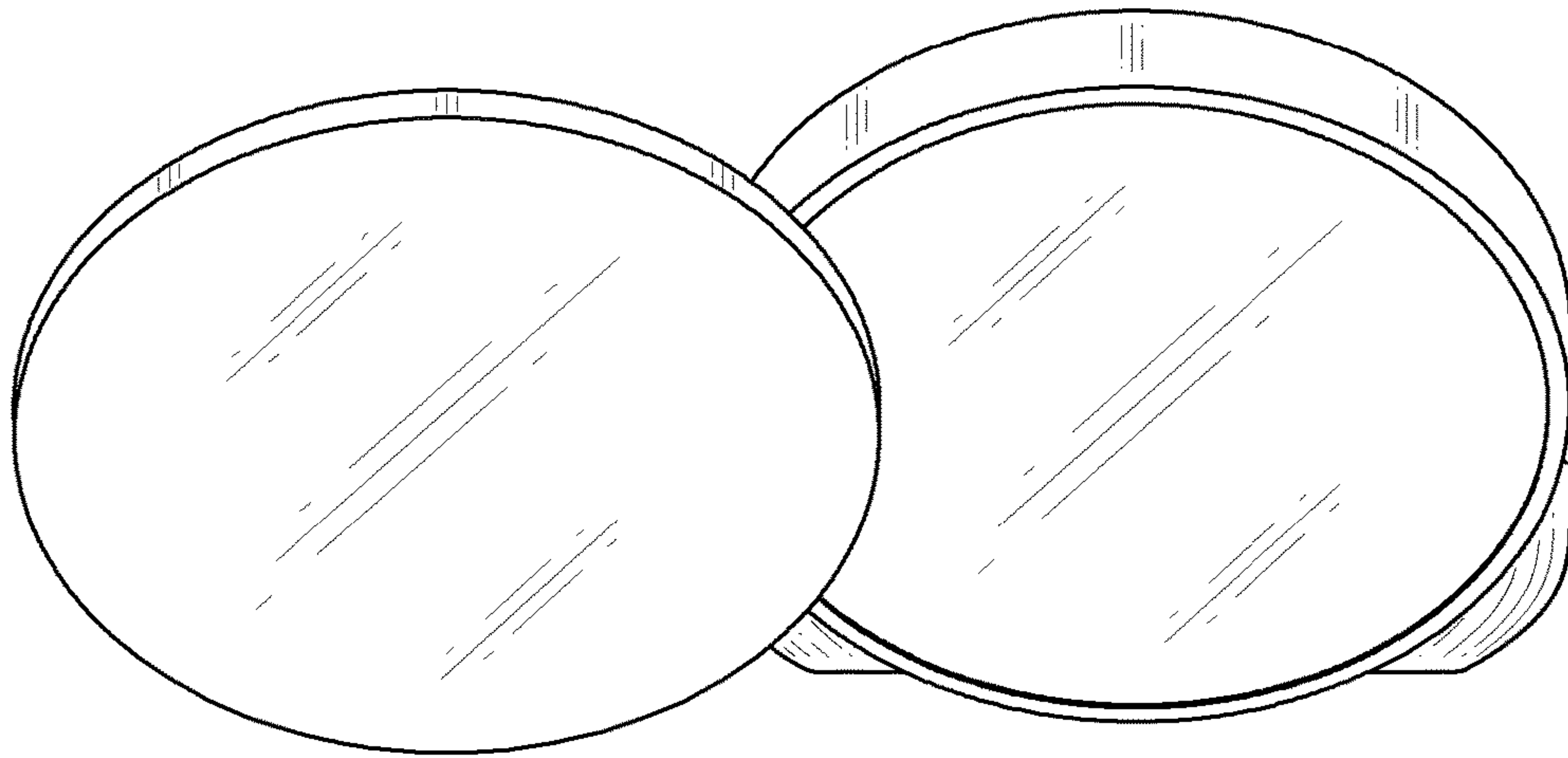


FIG. 10

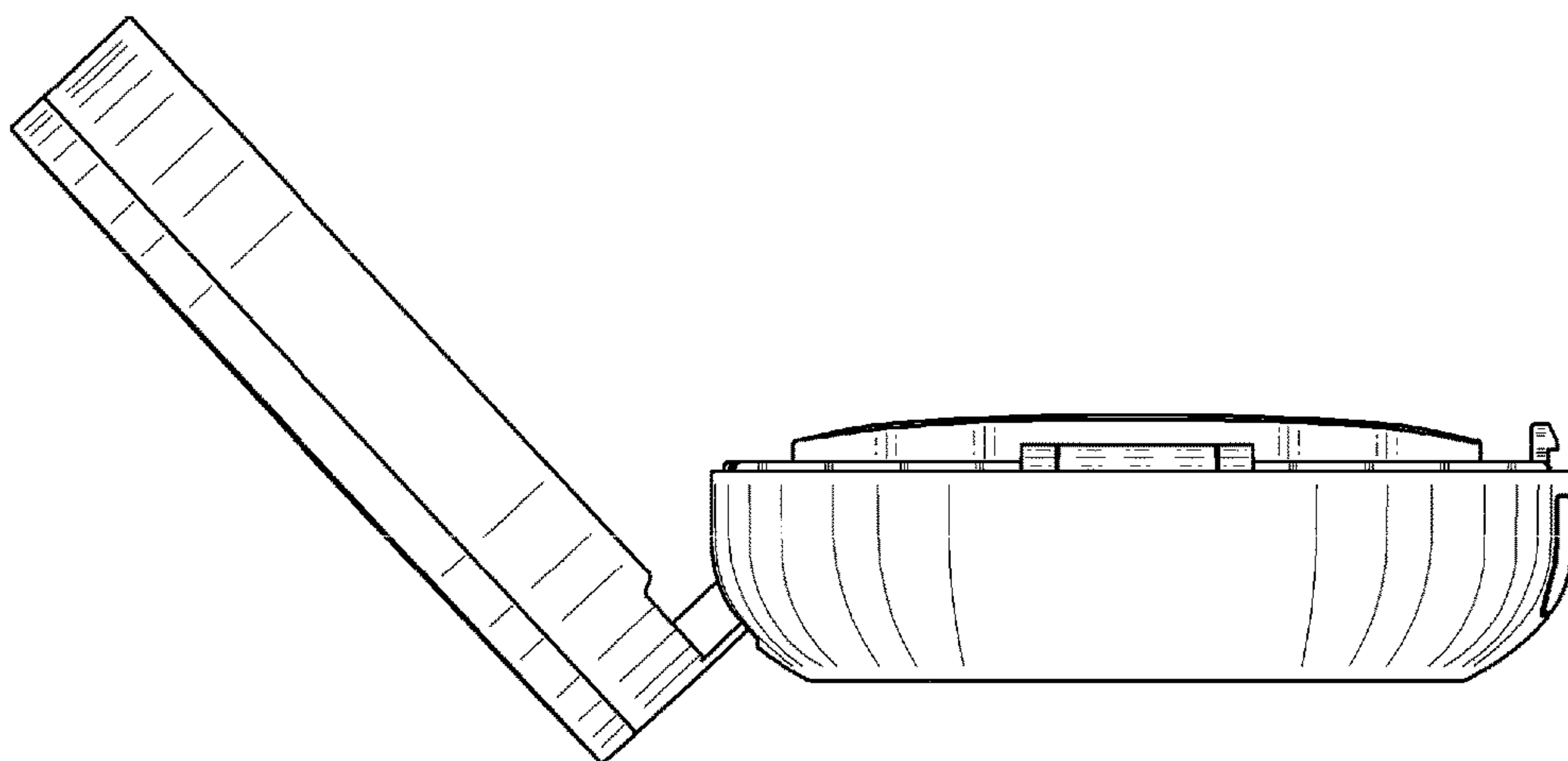


FIG. 11

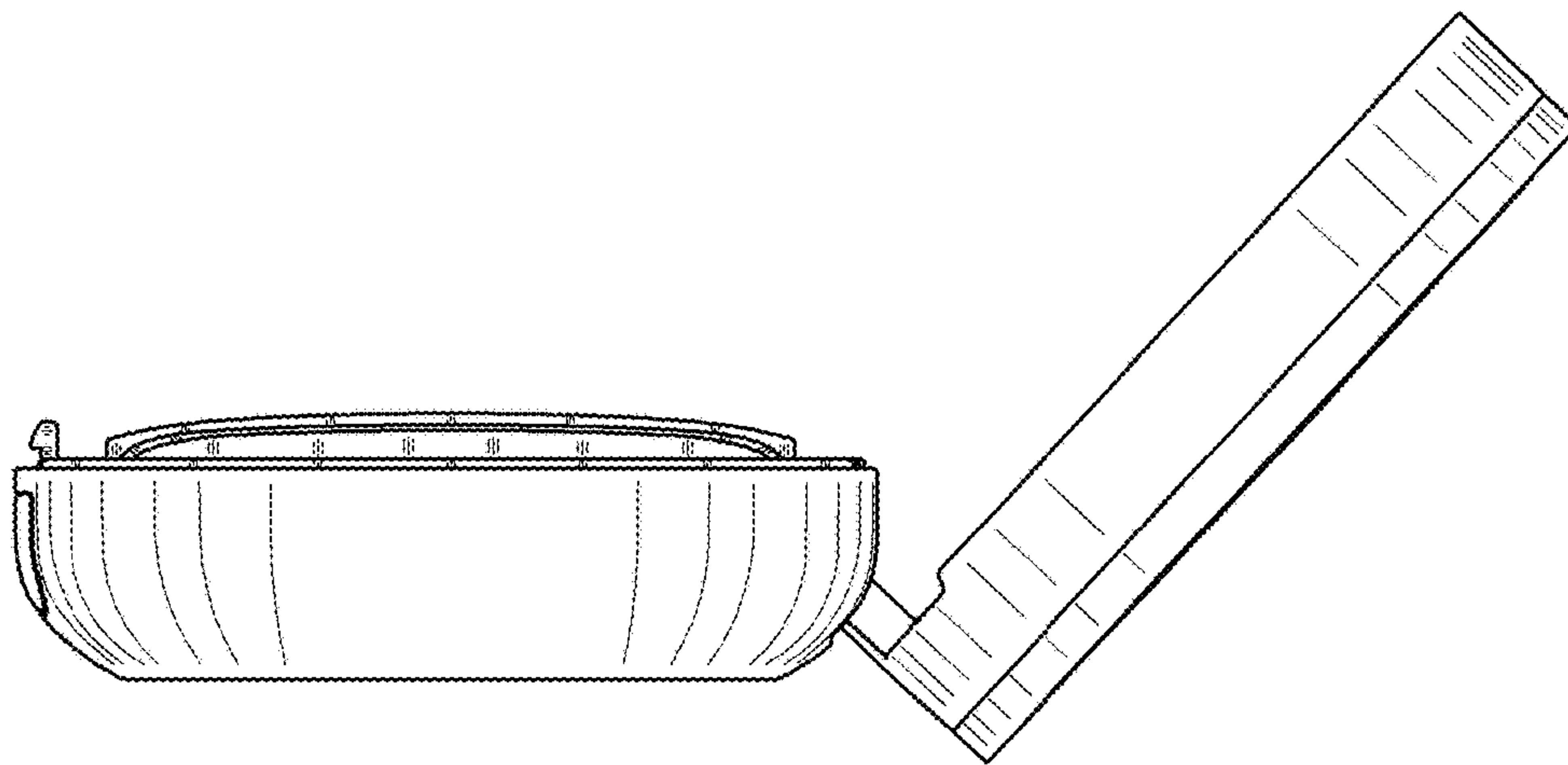


FIG. 12

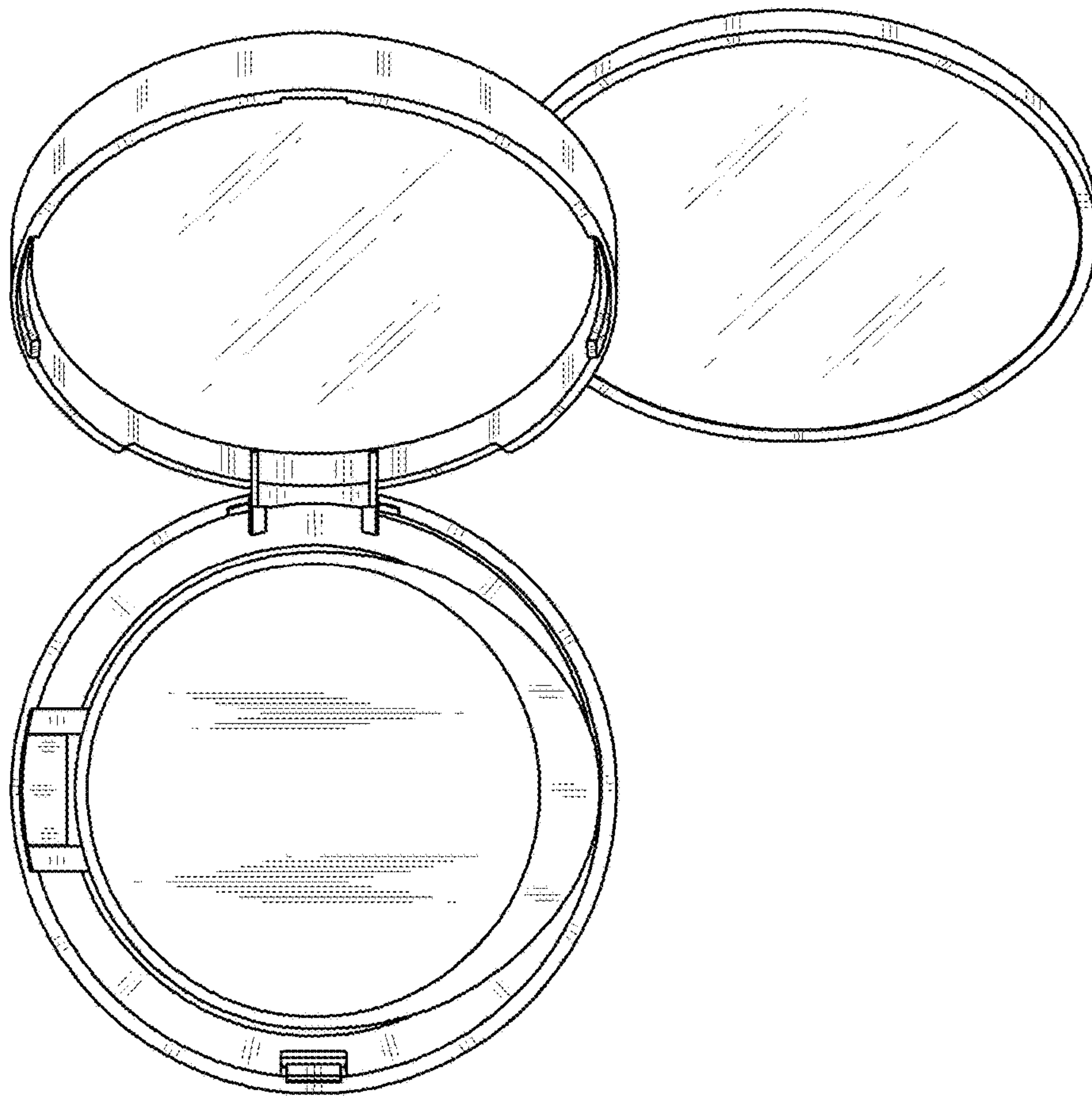


FIG. 13

