



US00D861985S

(12) **United States Design Patent** (10) **Patent No.:** **US D861,985 S**
Liao (45) **Date of Patent:** **** Oct. 1, 2019**

- (54) **HAIR STRAIGHTENER**
- (71) Applicant: **Dongguan Shengming Industrial Co., Ltd, Dongguan (CN)**
- (72) Inventor: **Shengwang Liao, Ganzhou (CN)**
- (73) Assignee: **Dongguan Shengming Industrial Co., Ltd, Dongguan (CN)**
- (**) Term: **15 Years**
- (21) Appl. No.: **29/692,542**
- (22) Filed: **May 27, 2019**
- (51) **LOC (12) Cl.** **28-03**
- (52) **U.S. Cl.**
USPC **D28/35**
- (58) **Field of Classification Search**
USPC D28/35, 38
CPC A45D 2/001-002; A45D 1/18; A45D 1/06-14; A45D 2/38-42
See application file for complete search history.

- D833,070 S * 11/2018 Chandra D28/35
- D838,907 S * 1/2019 Bates D28/35
- D850,002 S * 5/2019 Bates D28/35
- 2017/0164707 A1* 6/2017 Cowdry H05B 3/06
- 2018/0064226 A1* 3/2018 Richmond A45D 1/06

OTHER PUBLICATIONS

SinglePass Compact Straightening and Styling Iron, www.t3micro.com, reviewed as early as 3 years ago, downloaded Jun. 18, 2019, 1 page.*

* cited by examiner

Primary Examiner — Jennifer Rivard

(57) **CLAIM**

The ornamental design for a hair straightener, as shown and described.

DESCRIPTION

FIG. 1 is a first perspective view of a hair straightener showing my design;
FIG. 2 is a second perspective view thereof;
FIG. 3 is a front view thereof;
FIG. 4 is a back view thereof;
FIG. 5 is a left side view thereof;
FIG. 6 is a right side view thereof;
FIG. 7 is a top view thereof; and,
FIG. 8 is a bottom view thereof.

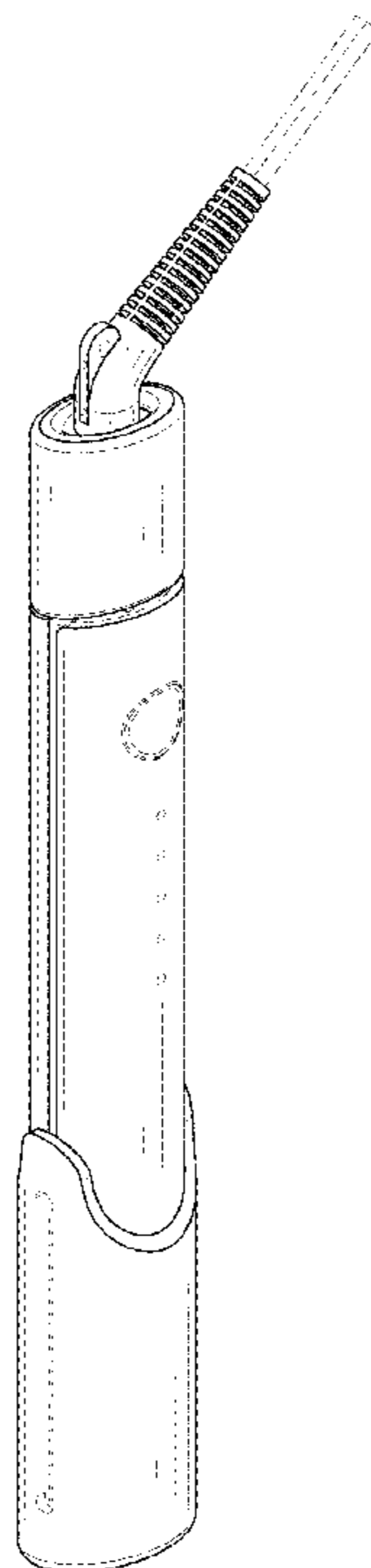
The broken lines shown in the drawings depict portions of the hair straightener in which the design is embodied that form no part of the claimed design.

1 Claim, 8 Drawing Sheets

(56) **References Cited**

U.S. PATENT DOCUMENTS

- D627,513 S * 11/2010 Kim D28/35
- 8,232,505 B2 * 7/2012 Hottenrott A45D 1/06
132/232
- D769,523 S 10/2016 Fan
- D780,374 S * 2/2017 Yu D28/35
- D786,506 S 5/2017 Ceva
- D798,503 S * 9/2017 Ceva D28/35
- D808,588 S 1/2018 Kim
- D825,848 S * 8/2018 Brady D28/35



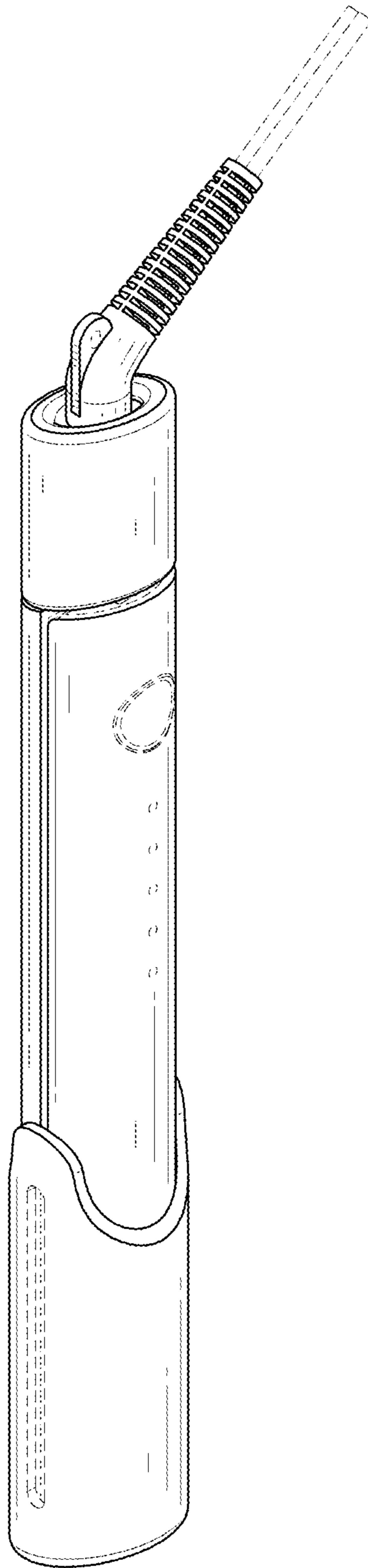


FIG. 1

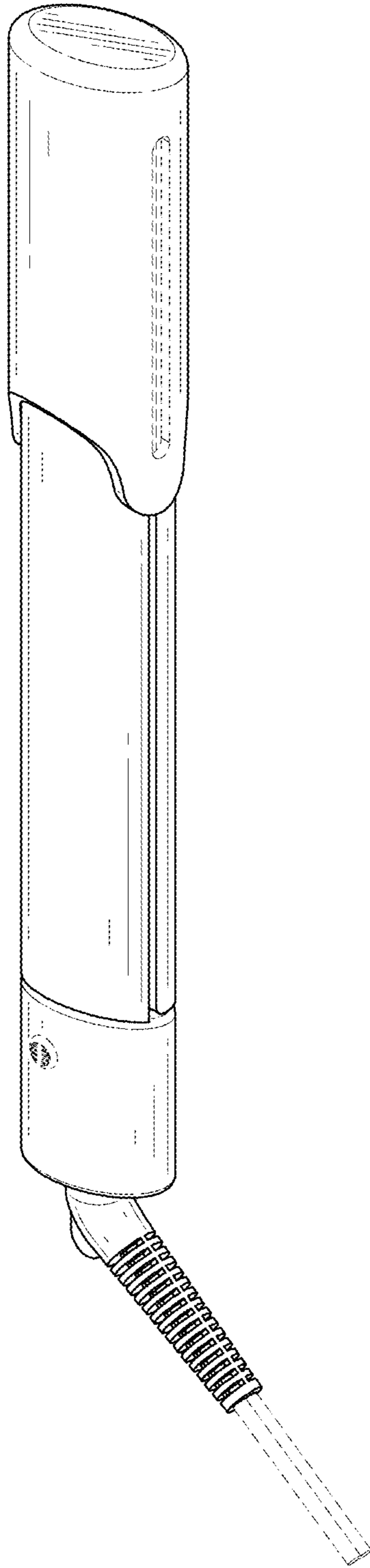


FIG. 2

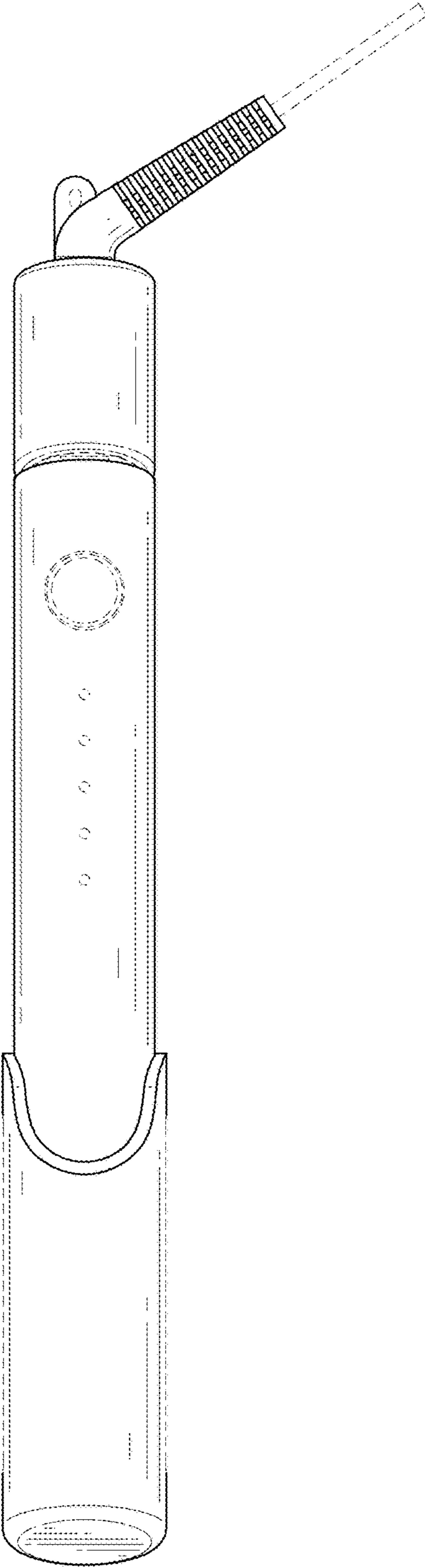


FIG. 3

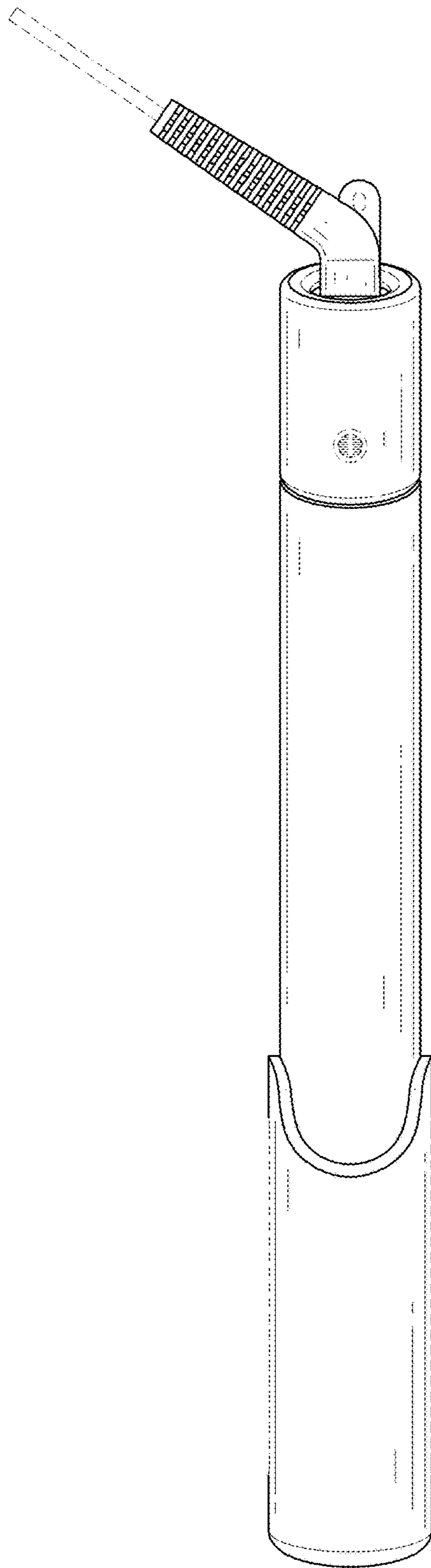


FIG. 4

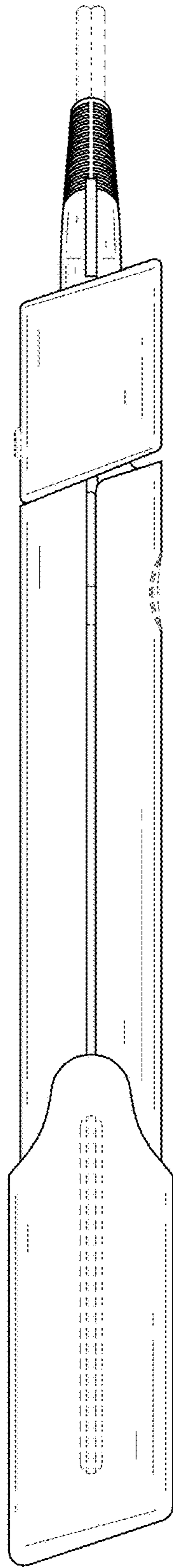


FIG. 5

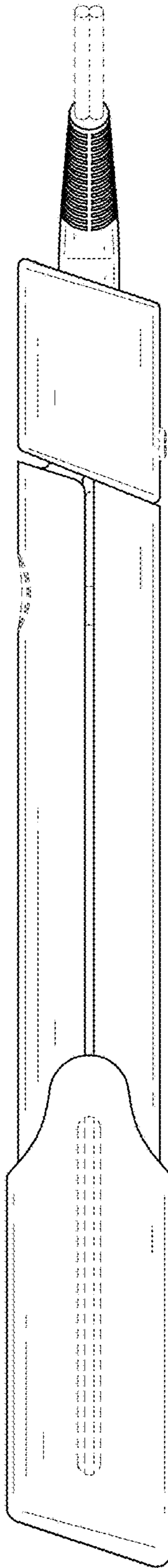


FIG. 6

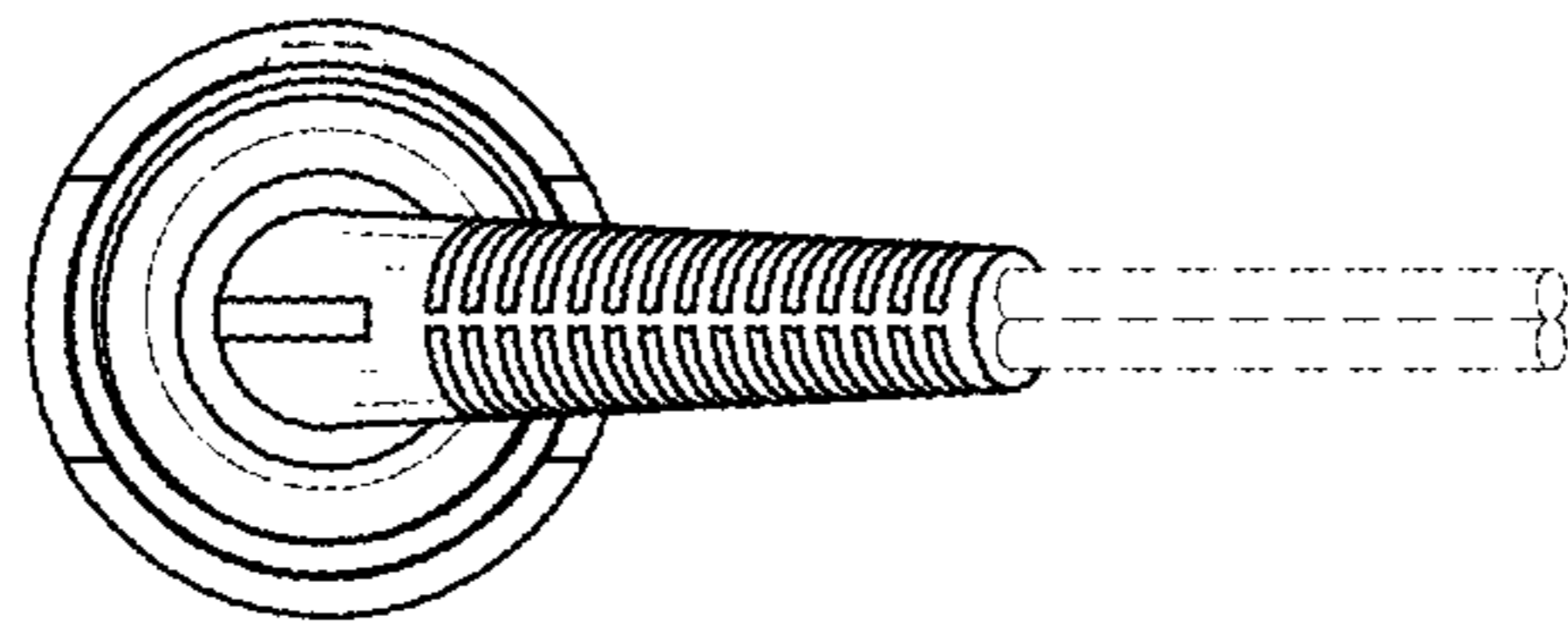


FIG. 7

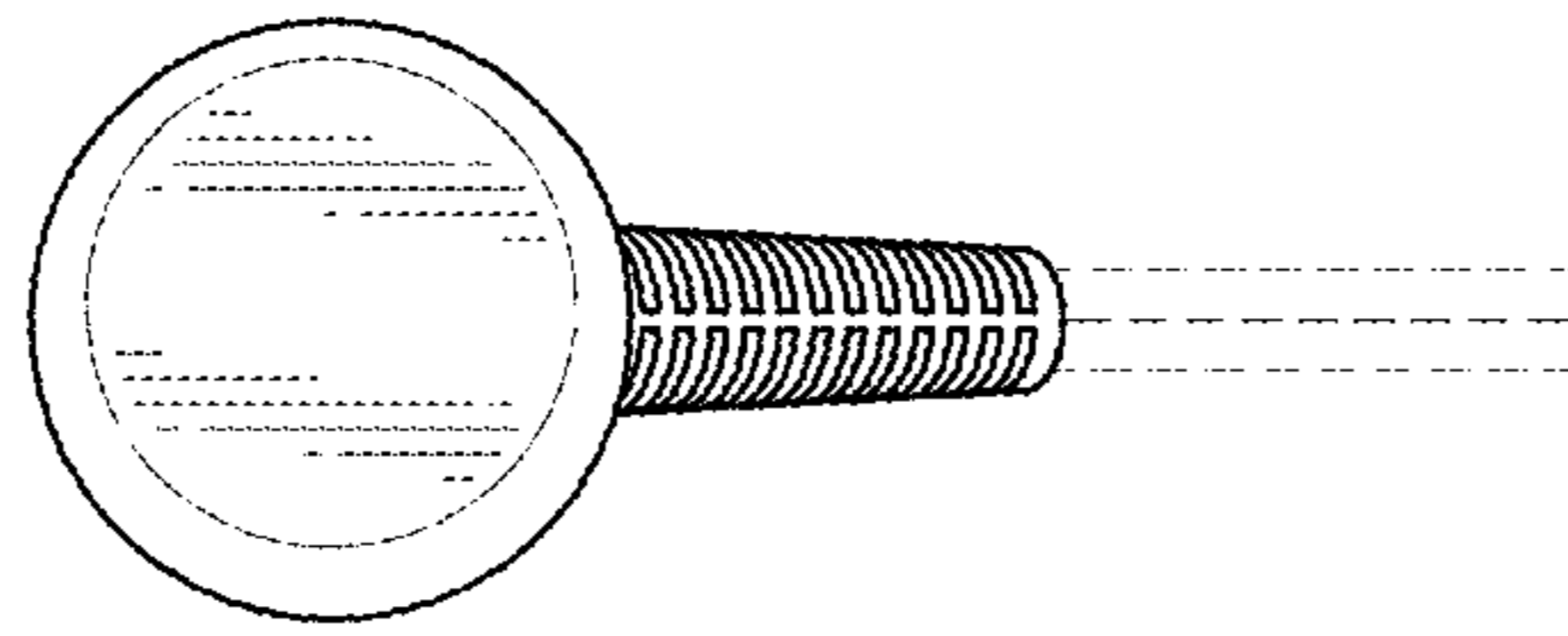


FIG. 8