

US00D861984S

(12) **United States Design Patent** (10) **Patent No.:** **US D861,984 S**
Suzuki (45) **Date of Patent:** **** Oct. 1, 2019**

(54) **SOLID COSMETIC WITH CONTAINER**

D157,467 S * 2/1950 Brodton D28/79
D164,566 S * 9/1951 Friedman D9/663
D210,432 S * 3/1968 Koenigsberg D28/8.2

(71) Applicant: **TOKIWA CORPORATION**, Gifu (JP)

(Continued)

(72) Inventor: **Takumi Suzuki**, Kawaguchi (JP)

FOREIGN PATENT DOCUMENTS

(73) Assignee: **TOKIWA CORPORATION**,
Nakatsugawa-Shi, Gifu (JP)

CN 201230651417 * 12/2012

(**) Term: **15 Years**

OTHER PUBLICATIONS

(21) Appl. No.: **35/504,755**

Airfrov, Kanebo Evita Beauty Whip Soap, posted Jul. 1, 2016, [online], [visited Jan. 14, 2019]. Internet, <URL: https://www.airfrov.com/products/62964-beauty-products-kanebo-evita-beauty-whip-soap-3-sets> (Year: 2016).*

(22) Filed: **Oct. 19, 2017**

(Continued)

(80) **Hague Agreement Data**

Int. Filing Date: **Oct. 19, 2017**

Primary Examiner — Sheryl Lane

Int. Reg. No.: **DM/098685**

Assistant Examiner — Samantha N Wood

Int. Reg. Date: **Oct. 19, 2017**

(74) *Attorney, Agent, or Firm* — Leydig Voit & Mayer

Int. Reg. Pub. Date: **Apr. 20, 2018**

(57) **CLAIM**

(30) **Foreign Application Priority Data**

The ornamental design for a solid cosmetic with container, as shown and described.

Jun. 7, 2017 (JP) 2017-012257

(51) **LOC (12) Cl.** **28-02**

(52) **U.S. Cl.**

USPC **D28/4**

(58) **Field of Classification Search**

USPC D28/8.1, 8.2, 76, 77, 78, 79, 80, 91, 99,
D28/4; D9/655, 661, 663; D11/204, 30,
D11/33, 133, 139, 184; D3/234, 271.8,
D3/325, 903; D21/496, 628; D1/115
CPC ... A61Q 1/02; A61Q 1/04; A61Q 1/06; A61Q
1/08

See application file for complete search history.

(56) **References Cited**

U.S. PATENT DOCUMENTS

D117,146 S * 10/1939 Kabaker D28/8.2
D117,748 S * 11/1939 Gaige D28/79

(Continued)

DESCRIPTION

1. Solid cosmetic with container

1.1 : Front

1.2 : Back

1.3 : Top

1.4 : Bottom

1.5 : Left

1.6 : Right

1.7 : Right-front perspective view

1.8 : Left-front perspective view

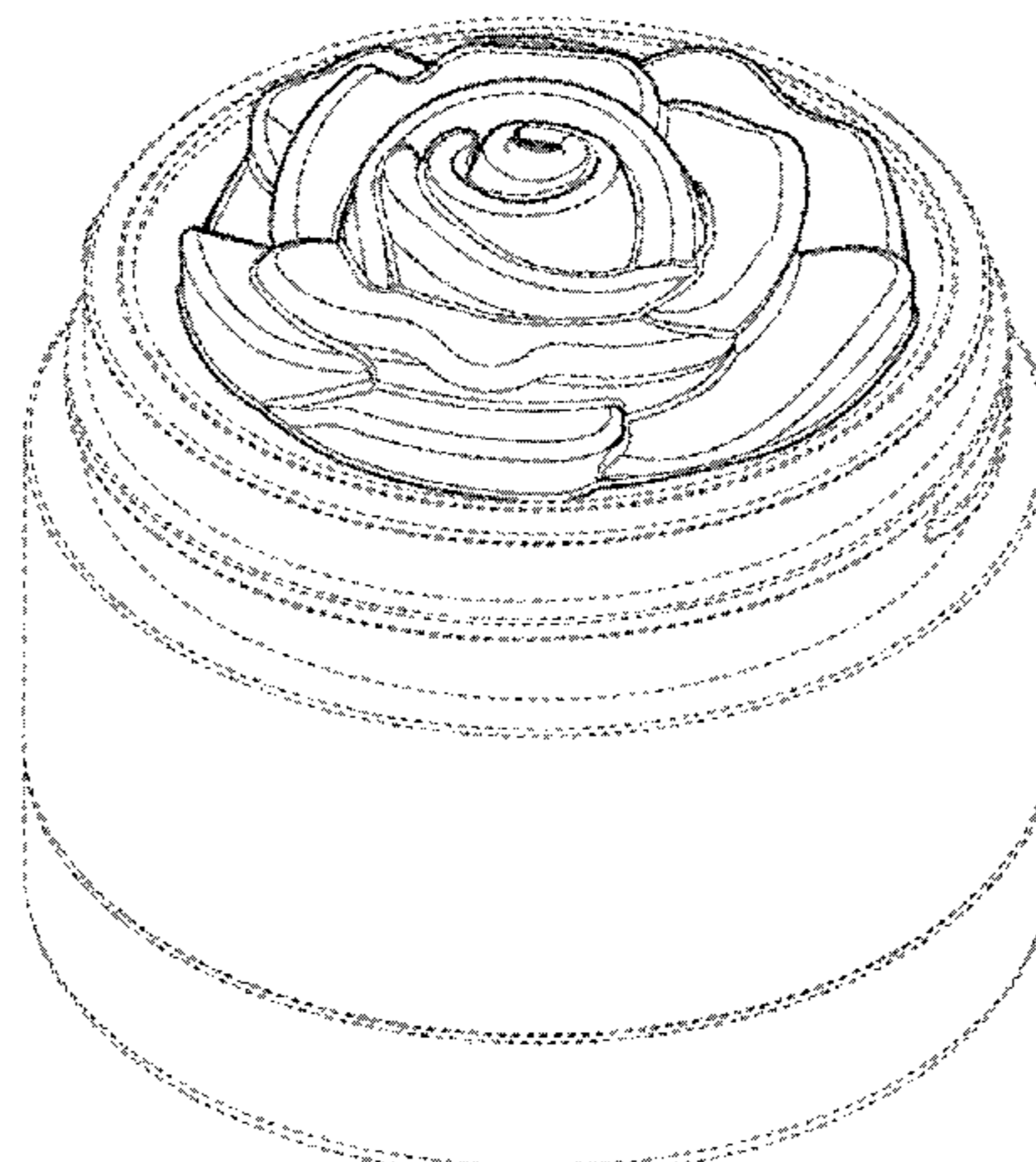
1.9 : Right-back perspective view

1.10 : Left-back perspective view

The broken line portions of the solid cosmetic with container are included for the purpose of illustrating the environmental structure and form no part of the claimed design.

The container is filled with a solid cosmetic, and the solid cosmetic is sold and used in the state in which it is fixed to

(Continued)



the container; the cosmetic is used as rouge for cheek and lip, as an eyeliner, and for the eyebrows, or the like.

1 Claim, 10 Drawing Sheets

(56)

References Cited

U.S. PATENT DOCUMENTS

D215,248 S *	9/1969	Viitamen	D28/8.2
D318,797 S *	8/1991	Cohen	D11/117
D379,430 S *	5/1997	Siripreedabhakd	D11/117
D380,673 S *	7/1997	Siripreedabhakd	D11/117
D408,593 S *	4/1999	Nakano	D28/87
D410,839 S *	6/1999	Nakano	D9/451
D440,016 S *	4/2001	Thorpe	D28/77
D474,107 S *	5/2003	Osborne	D28/79

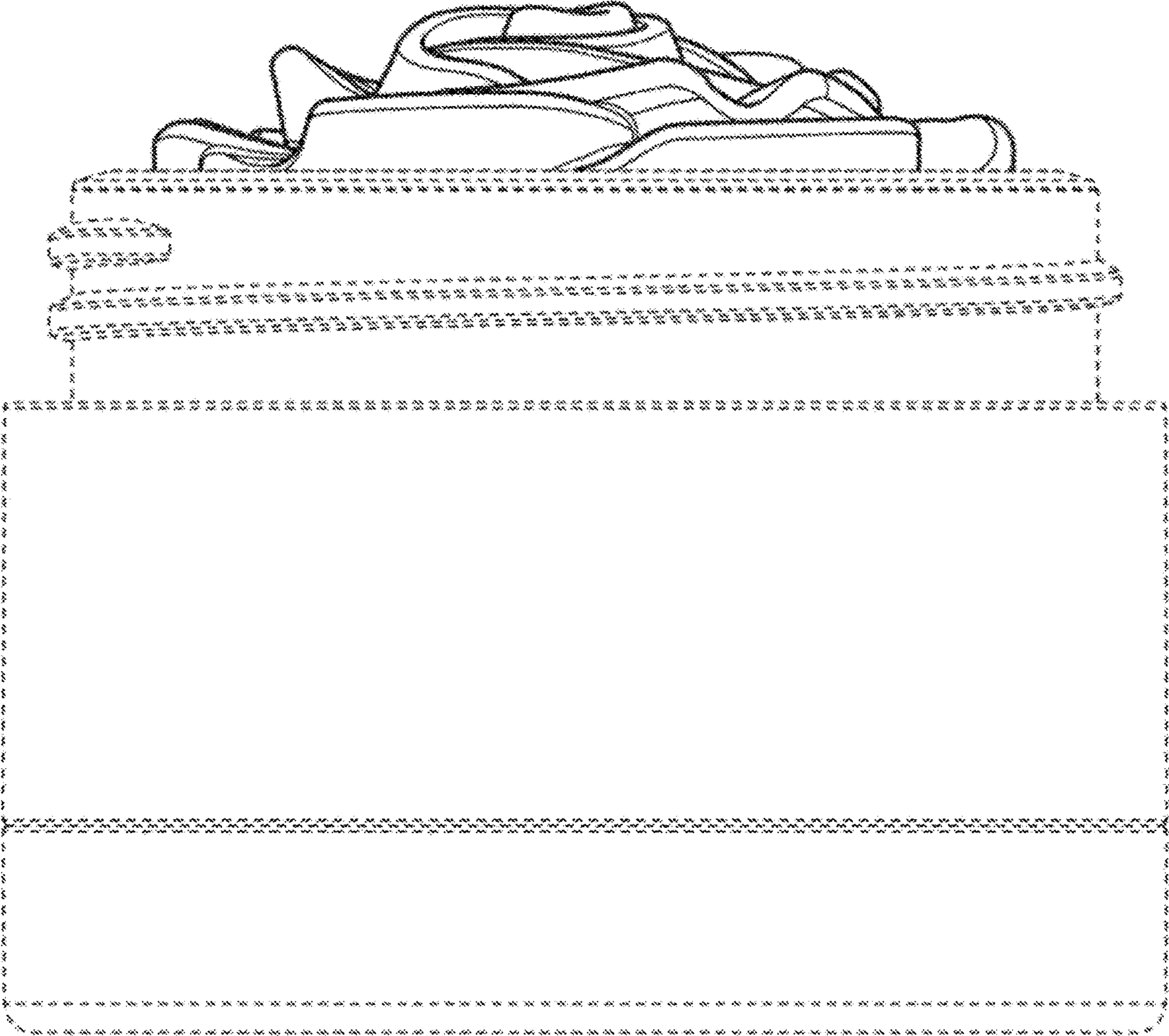
OTHER PUBLICATIONS

Vampy Varnish, Milani Coming Up Roses Powder Blush Collection Spring 2014, posted Feb. 25, 2014, [online], [visited Feb. 1, 2019]. Internet, <URL: <https://www.vampyvarnish.com/2014/02/milani-coming-roses-collection-spring-2014/>> (Year: 2014).*

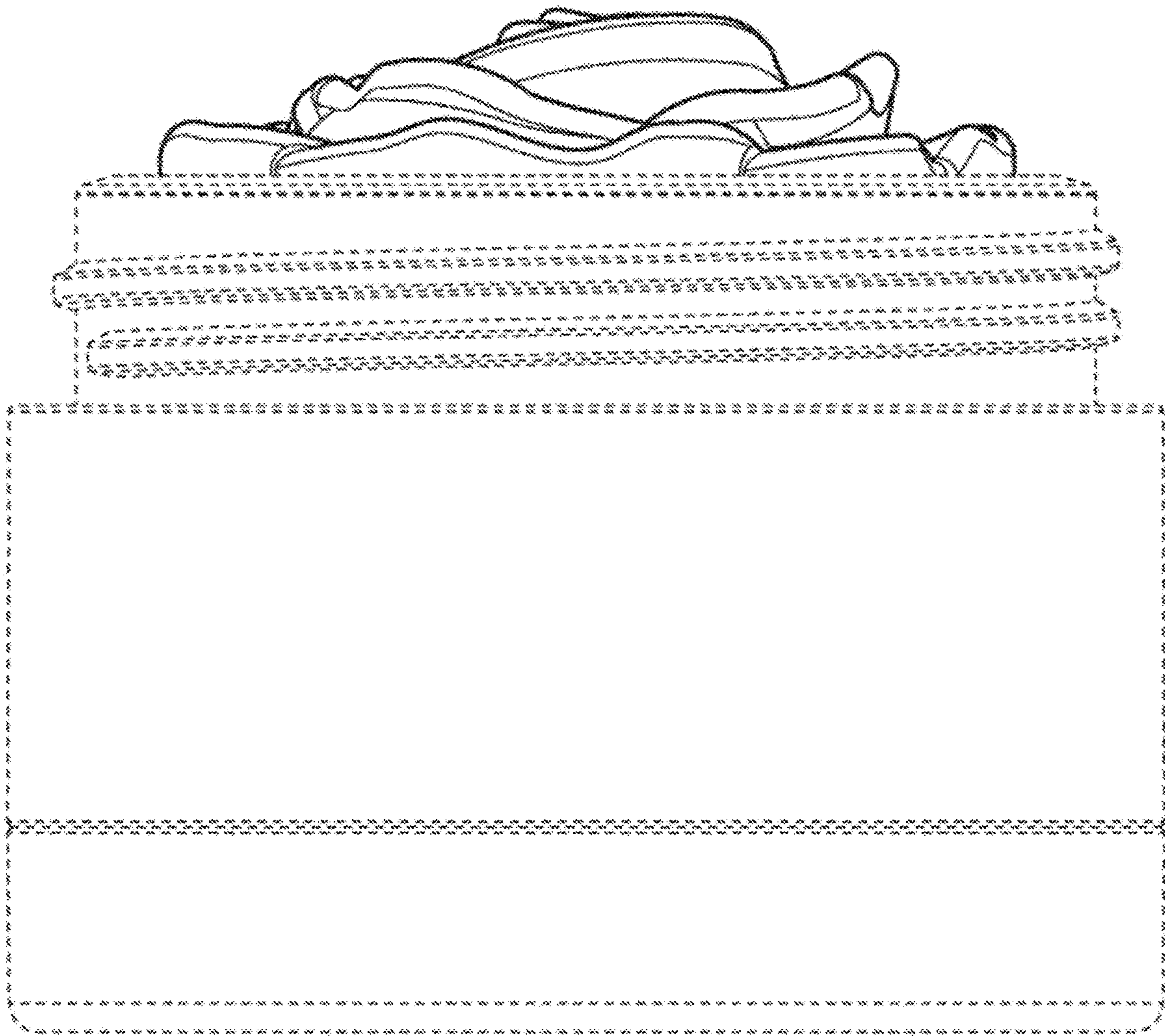
Instagram, myavenue99 LIPHOP Rose Pot Moist Glossy Tinted Lip Balm, posted May 1, 2017, [online], [visited Jun. 5, 2019]. Internet, URL: https://www.instagram.com/p/BTifK9ABJ4r/?utm_source=ig_web_copy_link (Year: 2017).*

* cited by examiner

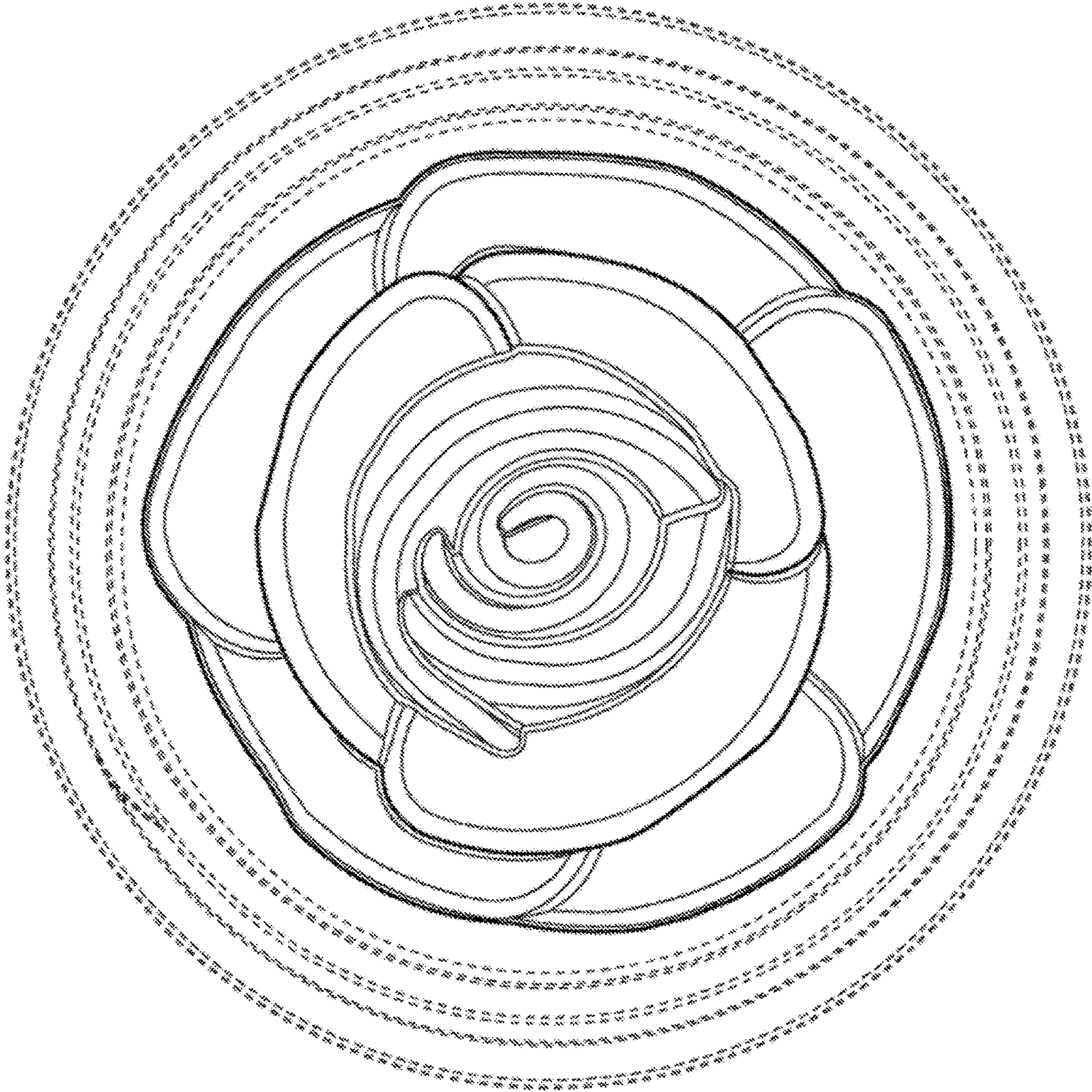
1.1



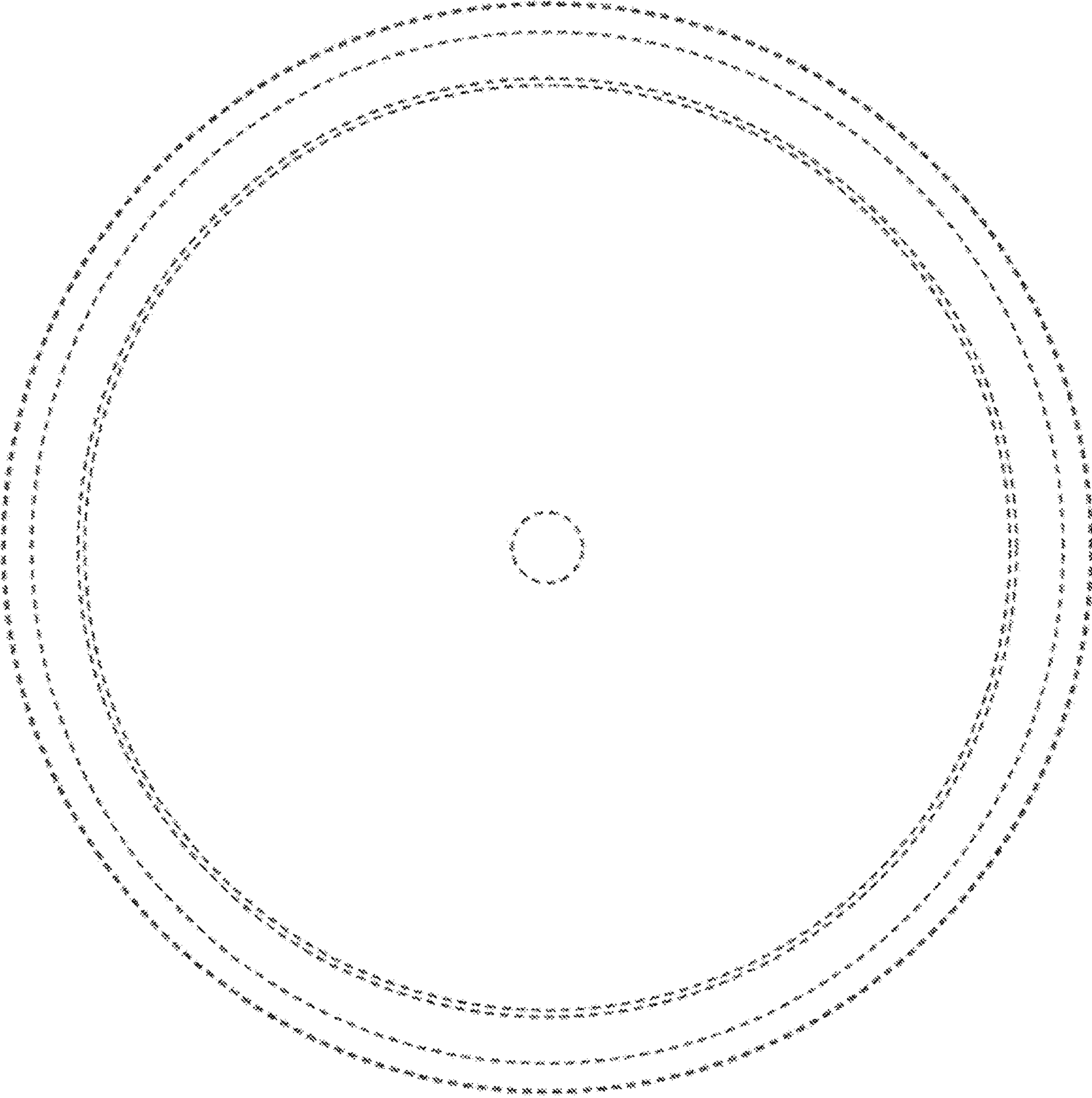
1.2



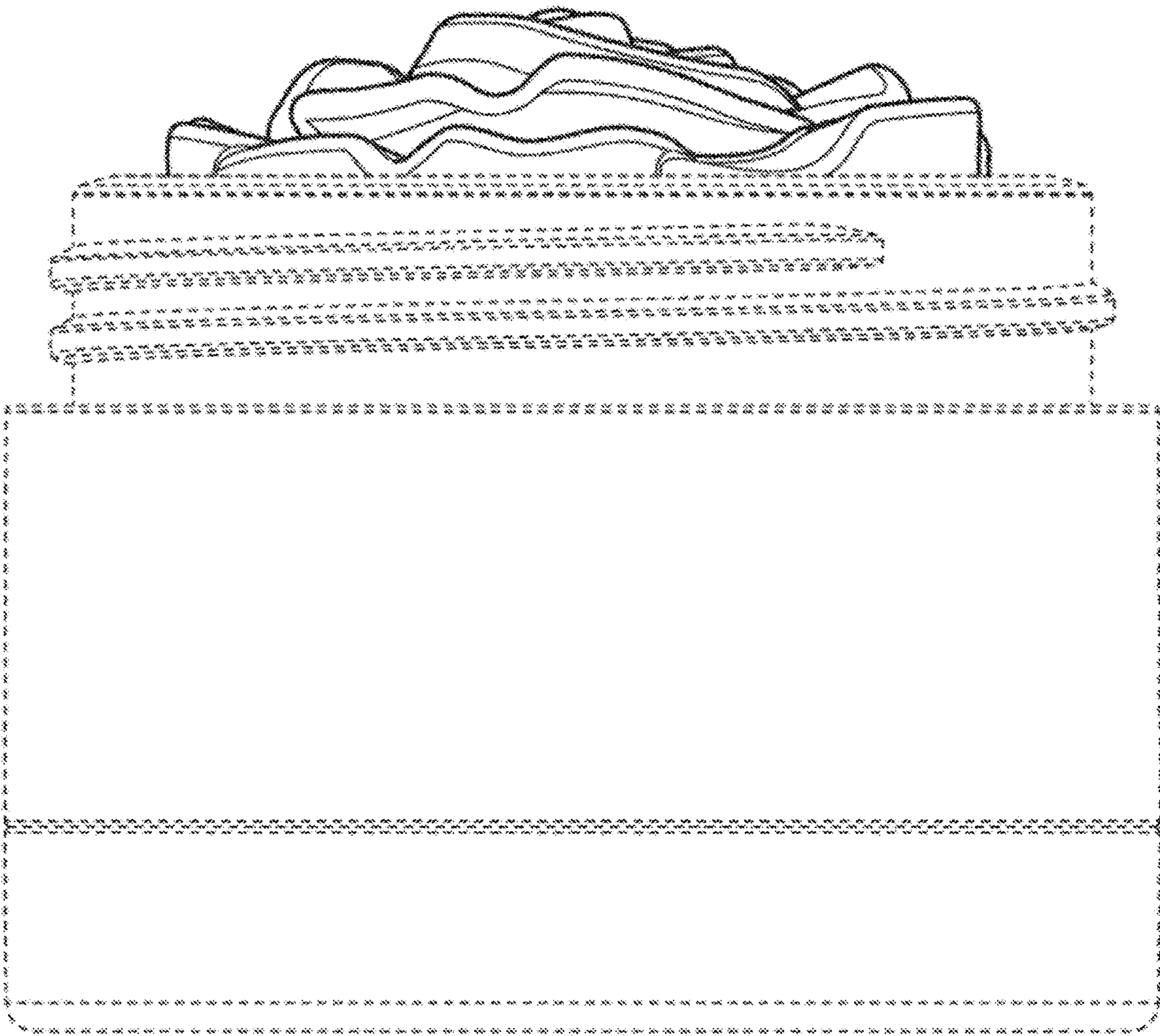
1.3



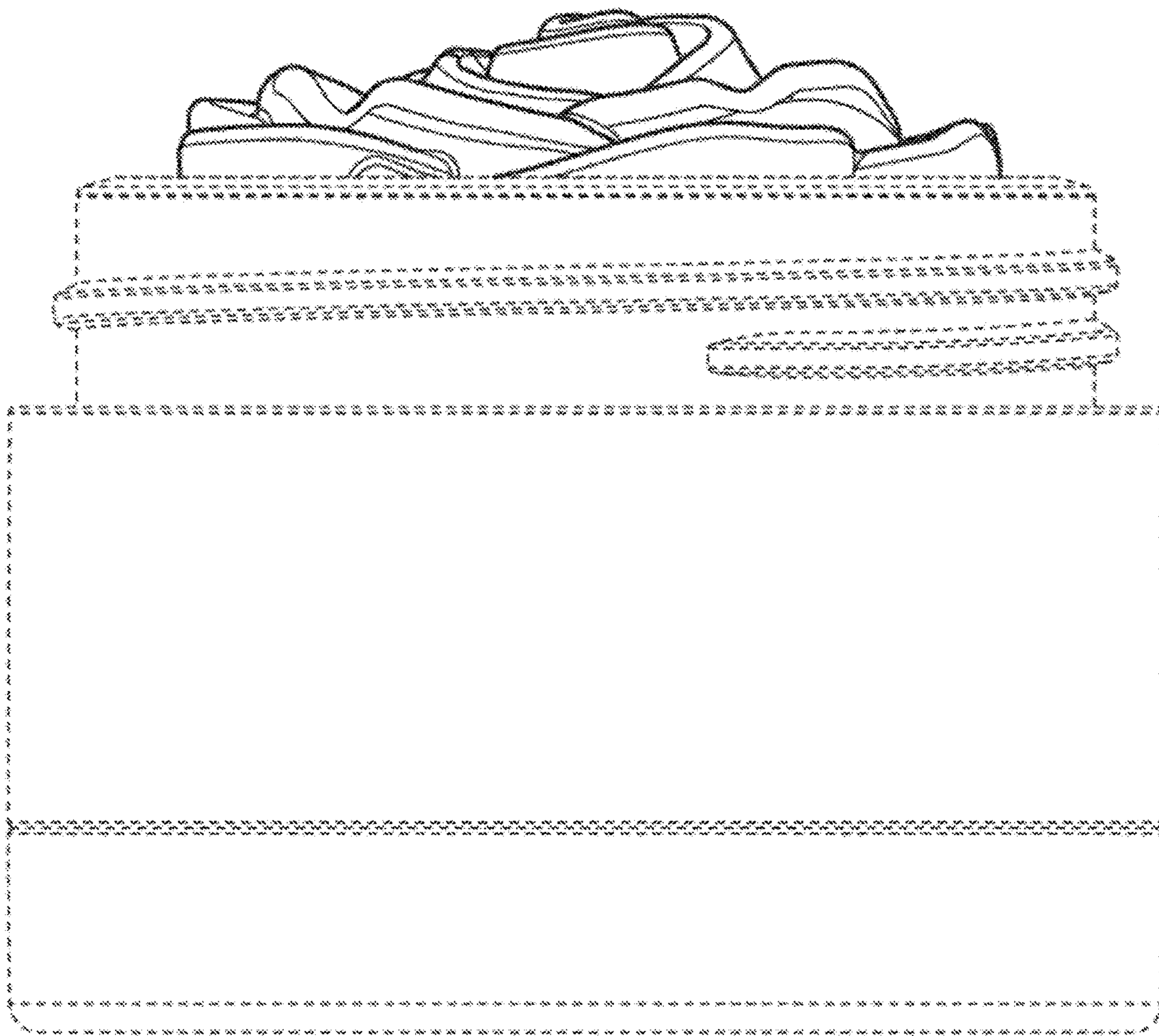
1.4



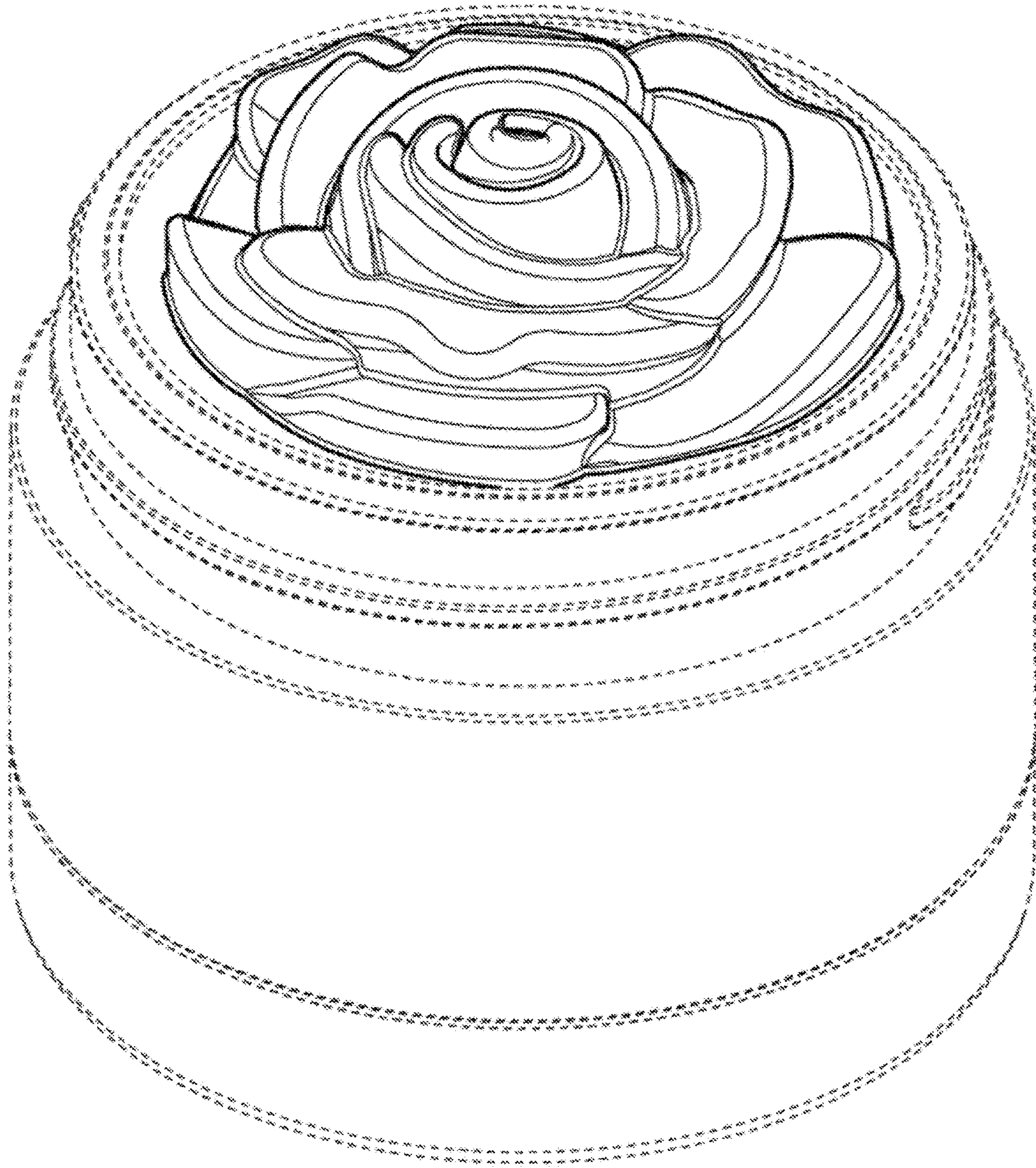
1.5



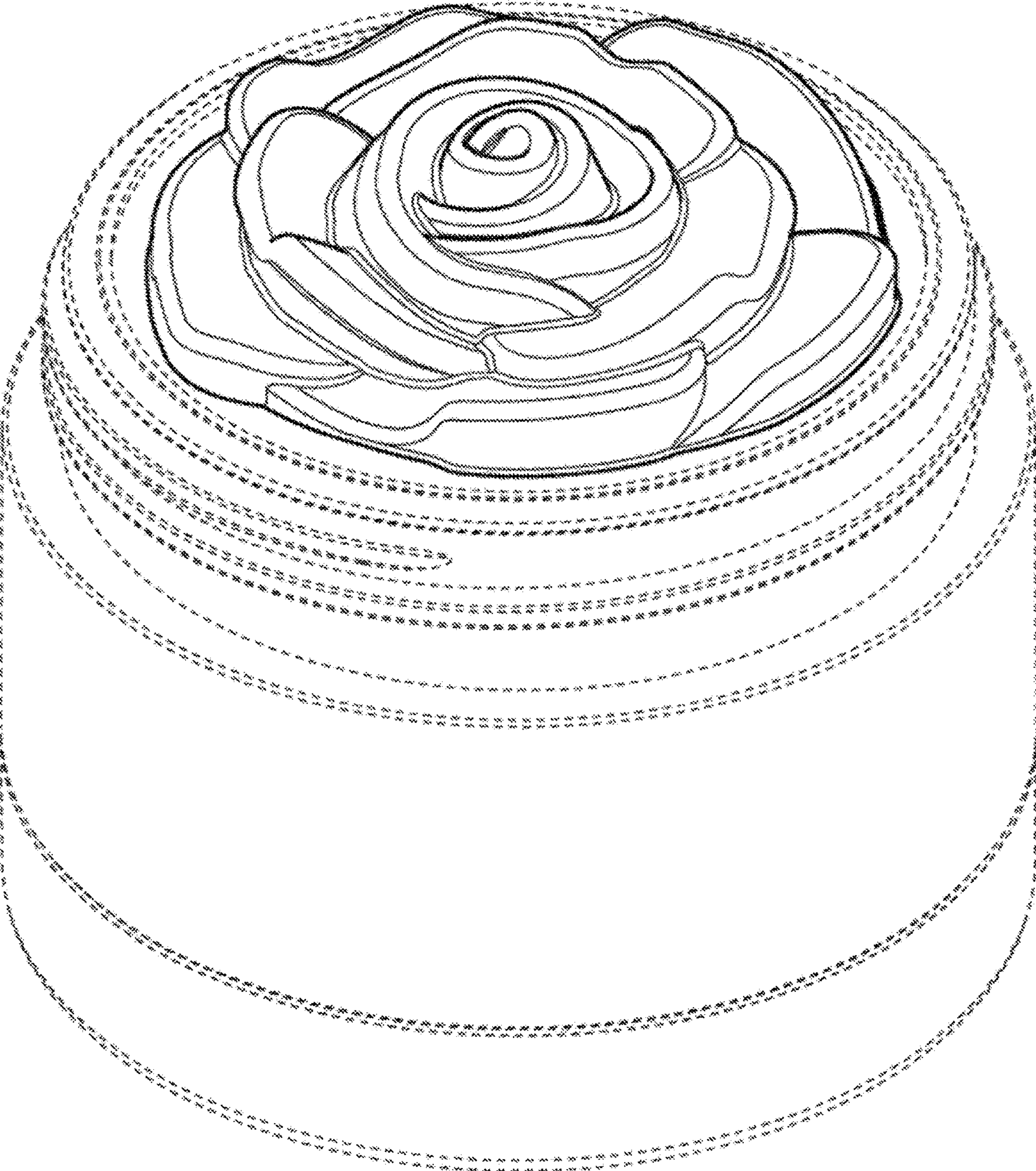
1.6



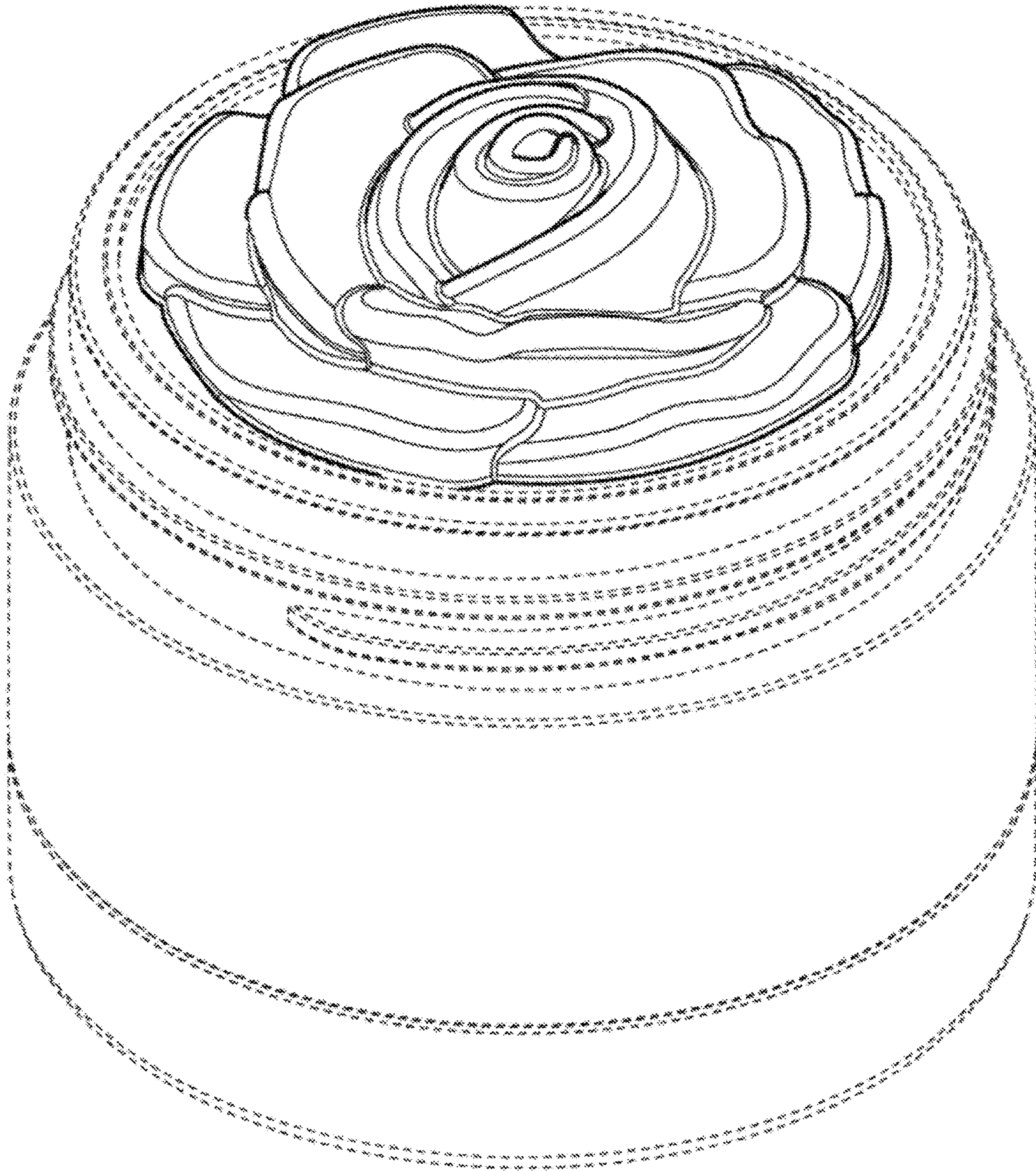
1.7



1.8



1.9



1.10

