



US00D861979S

(12) **United States Design Patent** (10) **Patent No.:** **US D861,979 S**  
**Sibley** (45) **Date of Patent:** **\*\* Oct. 1, 2019**

(54) **SNAP-OPEN PRESERVATION TUBE FOR TOBACCO AND TOBACCO-LIKE PRODUCTS**

(71) Applicant: **David P. Sibley**, Kimberly, ID (US)

(72) Inventor: **David P. Sibley**, Kimberly, ID (US)

(73) Assignee: **N2 Packaging Systems, LLC**, Twin Falls, ID (US)

(\*\*) Term: **15 Years**

(21) Appl. No.: **29/621,608**

(22) Filed: **Oct. 10, 2017**

(51) **LOC (12) Cl.** ..... **27-07**

(52) **U.S. Cl.**  
USPC ..... **D27/183**

(58) **Field of Classification Search**  
USPC ..... D27/100, 101, 162, 163–194;  
D19/115–123, 161–169; D24/110;  
D23/366  
CPC ..... A24F 47/008; A24F 47/002; A24F 13/02;  
A24F 7/02; B65D 85/12; A61M 15/06  
See application file for complete search history.

(56) **References Cited**

U.S. PATENT DOCUMENTS

- 4,129,687 A \* 12/1978 Lahme ..... H01M 10/52  
429/86
- D292,324 S \* 10/1987 Decker ..... D27/170
- 5,011,009 A \* 4/1991 Scheurer ..... A24F 15/20  
206/270
- 5,050,621 A \* 9/1991 Creighton ..... A24B 15/165  
131/194

(Continued)

Primary Examiner — Marissa J Cash

(74) *Attorney, Agent, or Firm* — Richard D. Clarke

(57) **CLAIM**

I claim the ornamental design for an snap-open preservation tube for tobacco and tobacco-like products, as shown and described.

**DESCRIPTION**

FIG. 1 is a front, top and side perspective view of the transparent snap-open preservation tube for tobacco and tobacco-like products;

FIG. 2 is a front, top and side perspective view of the transparent snap-open preservation tube for tobacco and tobacco-like products shown here containing a cigar and snapped open;

FIG. 3 is a top and side perspective view of the transparent snap-open preservation tube for tobacco and tobacco-like products shown here containing a rolled cigarette;

FIG. 4 is a top and side perspective view of the transparent snap-open preservation tube for tobacco and tobacco-like products shown here containing a cigar and snapped open;

FIG. 5 is a side elevational view of the transparent snap-open preservation tube for tobacco and tobacco-like products shown here containing a rolled cigarette;

FIG. 6 is a side elevational view of the transparent snap-open preservation tube for tobacco and tobacco-like products shown here containing a cigar and snapped open;

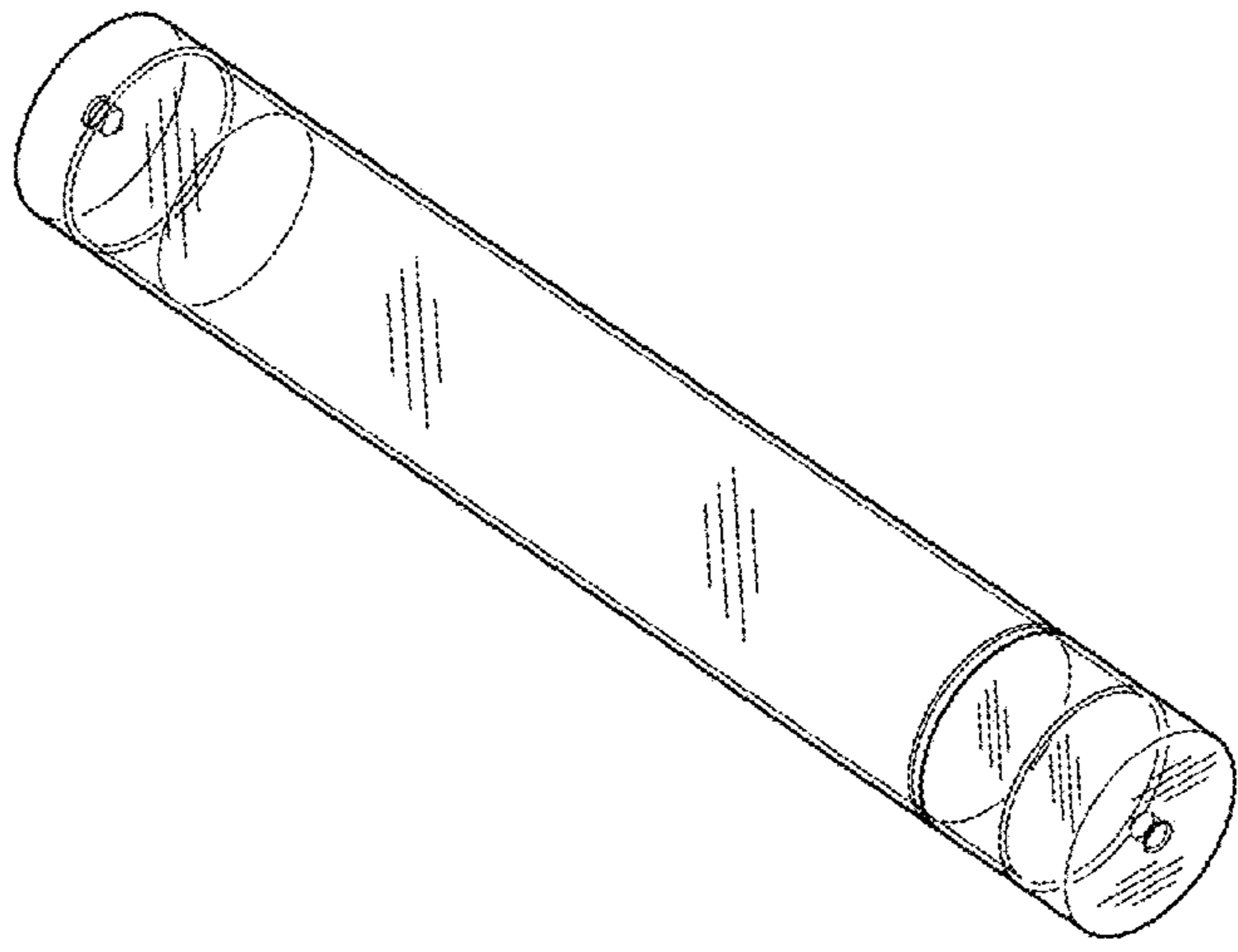
FIG. 7 is a side elevational view of the transparent snap-open preservation tube for tobacco;

FIG. 8 is a side elevational view of the transparent snap-open preservation tube for tobacco;

FIG. 9 is a side elevational view of transparent the snap-open preservation tube for tobacco;

FIG. 10 is a top plan view of the transparent snap-open preservation tube for tobacco; and,  
FIG. 11 is a bottom view of the transparent snap-open preservation tube for tobacco.  
The broken lines shown in FIGS. 2-6 of the drawings show unclaimed environment only and form no part of the claimed design.

**1 Claim, 5 Drawing Sheets**



(56)

References Cited

U.S. PATENT DOCUMENTS

D385,793 S \* 11/1997 Marsal ..... D24/224  
 6,152,751 A \* 11/2000 Hanson ..... H01R 13/44  
 439/263  
 D437,776 S \* 2/2001 Pullan ..... D9/648  
 6,276,853 B1 \* 8/2001 Breidenbach ..... A45D 34/06  
 401/17  
 6,532,965 B1 \* 3/2003 Abhulimen ..... A24F 47/004  
 131/175  
 7,231,923 B2 \* 6/2007 Adiga ..... A24D 1/00  
 131/194  
 D585,489 S \* 1/2009 Han ..... D19/117  
 7,581,899 B2 \* 9/2009 May ..... A45D 34/04  
 401/132  
 D604,942 S \* 12/2009 Smith ..... D3/202  
 D639,337 S \* 6/2011 Hung ..... D19/117  
 D639,338 S \* 6/2011 Hung ..... D19/163  
 D656,192 S \* 3/2012 Chen ..... D19/163  
 D656,545 S \* 3/2012 Hung ..... D19/117  
 D667,876 S \* 9/2012 Xie ..... D19/163  
 D669,123 S \* 10/2012 Jiang ..... D19/165  
 D669,124 S \* 10/2012 Jiang ..... D19/163  
 D698,652 S \* 2/2014 Sommer ..... D9/453  
 D704,066 S \* 5/2014 de Lima Paschoal ..... D28/76  
 8,746,240 B2 \* 6/2014 Terry ..... A61M 15/06  
 128/200.11  
 8,910,640 B2 \* 12/2014 Sears ..... F22B 1/28  
 131/273  
 D721,202 S \* 1/2015 Liu ..... D27/101  
 D725,310 S \* 3/2015 Eksouzian ..... D27/101  
 D727,172 S \* 4/2015 Rosella ..... D9/504  
 D732,733 S \* 6/2015 Spagnolo ..... D27/101  
 D739,597 S \* 9/2015 Lavanchy ..... D27/100  
 D739,598 S \* 9/2015 Lavanchy ..... D27/100  
 9,259,035 B2 \* 2/2016 Terry ..... A24F 47/008  
 9,352,288 B2 \* 5/2016 Terry ..... A24F 47/008  
 D770,677 S \* 11/2016 Van Keppel ..... D27/141  
 D775,279 S \* 12/2016 Shen ..... D19/117  
 D788,697 S \* 6/2017 Verleur ..... D13/103  
 9,743,691 B2 \* 8/2017 Minskoff ..... A24F 47/008

D800,566 S \* 10/2017 Wieland ..... D9/529  
 D808,580 S \* 1/2018 Kwitel ..... D27/101  
 9,913,490 B2 \* 3/2018 Clark ..... A24F 15/00  
 9,968,127 B2 \* 5/2018 Han ..... A24F 1/28  
 9,999,250 B2 \* 6/2018 Minskoff ..... A61M 15/06  
 D826,470 S \* 8/2018 Huang ..... D27/167  
 2009/0314299 A1 \* 12/2009 Kilpatrick ..... A24F 13/10  
 131/187  
 2010/0031968 A1 \* 2/2010 Sheikh ..... A24F 47/008  
 131/347  
 2010/0083959 A1 \* 4/2010 Siller ..... A24F 47/006  
 128/202.21  
 2011/0023895 A1 \* 2/2011 Wang ..... A24F 15/20  
 131/257  
 2011/0277764 A1 \* 11/2011 Terry ..... A24F 47/008  
 128/203.26  
 2012/0318283 A1 \* 12/2012 Watanabe ..... A24F 47/002  
 131/191  
 2012/0318882 A1 \* 12/2012 Abehasera ..... A61M 11/041  
 239/1  
 2014/0096781 A1 \* 4/2014 Sears ..... A24F 47/008  
 131/328  
 2014/0283858 A1 \* 9/2014 Liu ..... A24F 47/008  
 131/329  
 2014/0283859 A1 \* 9/2014 Minskoff ..... A24F 47/008  
 131/329  
 2015/0034104 A1 \* 2/2015 Zhou ..... A24F 47/008  
 131/329  
 2015/0320114 A1 \* 11/2015 Wu ..... A24F 47/002  
 131/329  
 2015/0374036 A1 \* 12/2015 Suzuki ..... A24F 47/008  
 131/329  
 2016/0331912 A1 \* 11/2016 Trzeciecki ..... A61M 11/042  
 2016/0360782 A1 \* 12/2016 Barrantes ..... A24F 15/00  
 2017/0215478 A1 \* 8/2017 Harrison ..... A24F 7/02  
 2017/0258142 A1 \* 9/2017 Hatton ..... A24F 47/008  
 2018/0042302 A1 \* 2/2018 Robinson ..... A61M 15/06  
 2018/0098571 A1 \* 4/2018 Watson ..... A24F 47/008  
 2018/0117268 A1 \* 5/2018 Selby ..... A61M 15/06  
 2018/0153221 A1 \* 6/2018 Verleur ..... A24F 47/008  
 2018/0177234 A1 \* 6/2018 Lee ..... A24F 9/16

\* cited by examiner

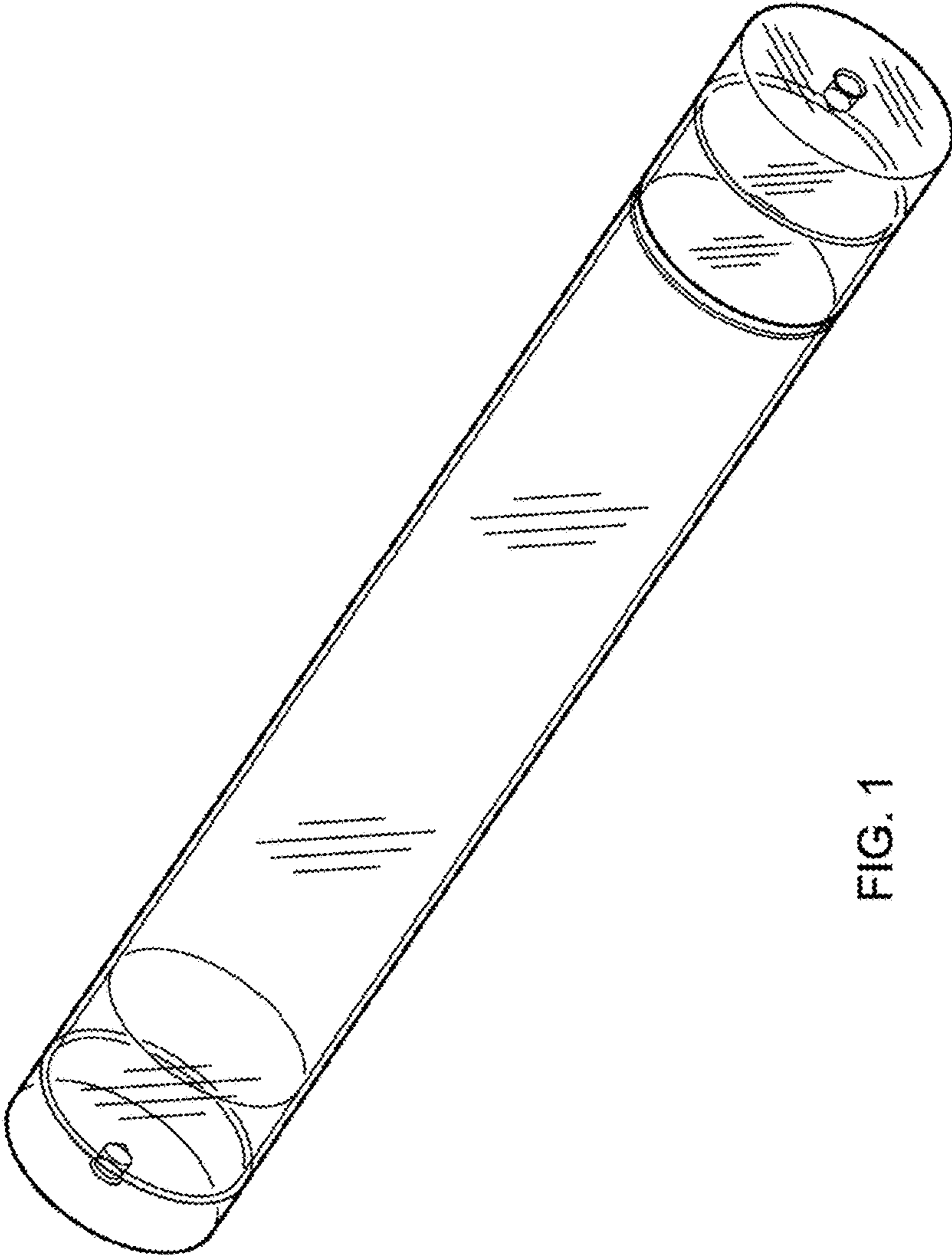
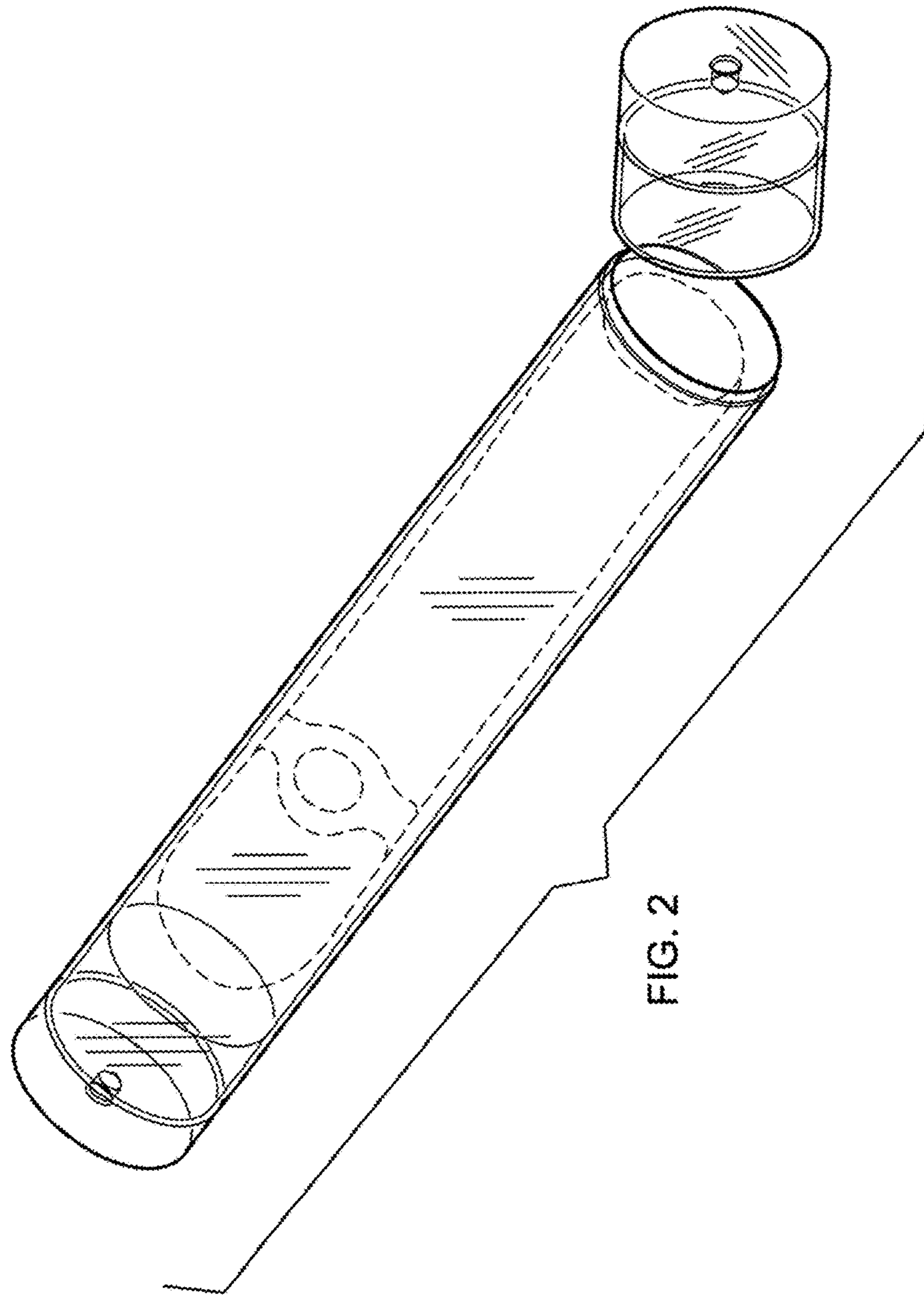


FIG. 1



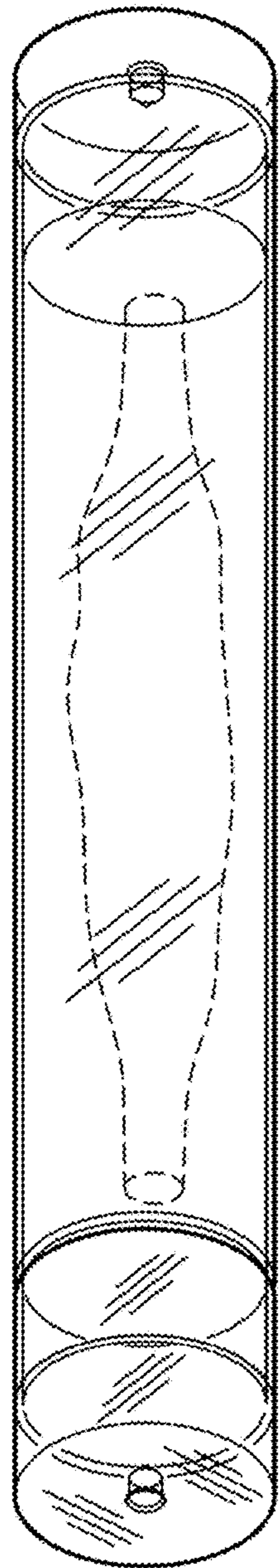
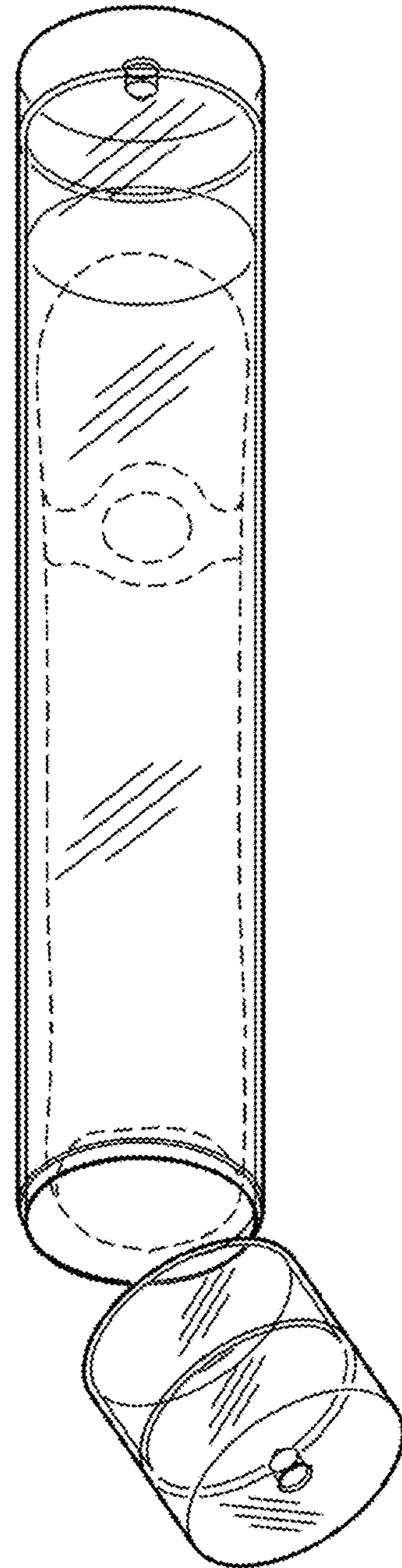


FIG. 3

FIG. 4



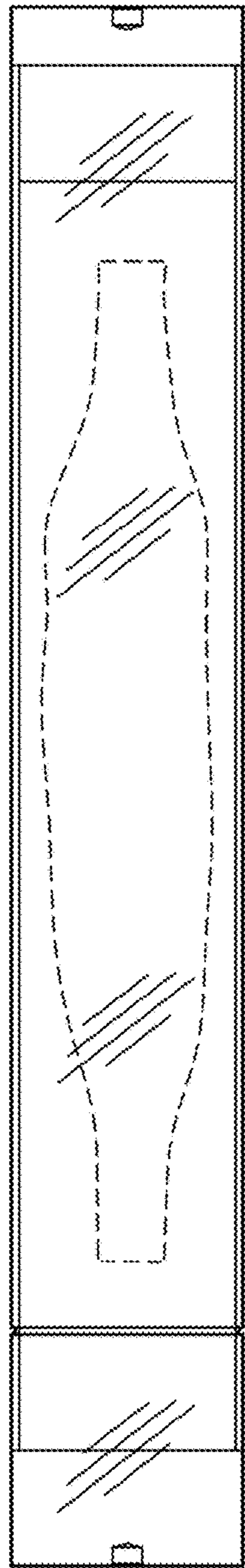
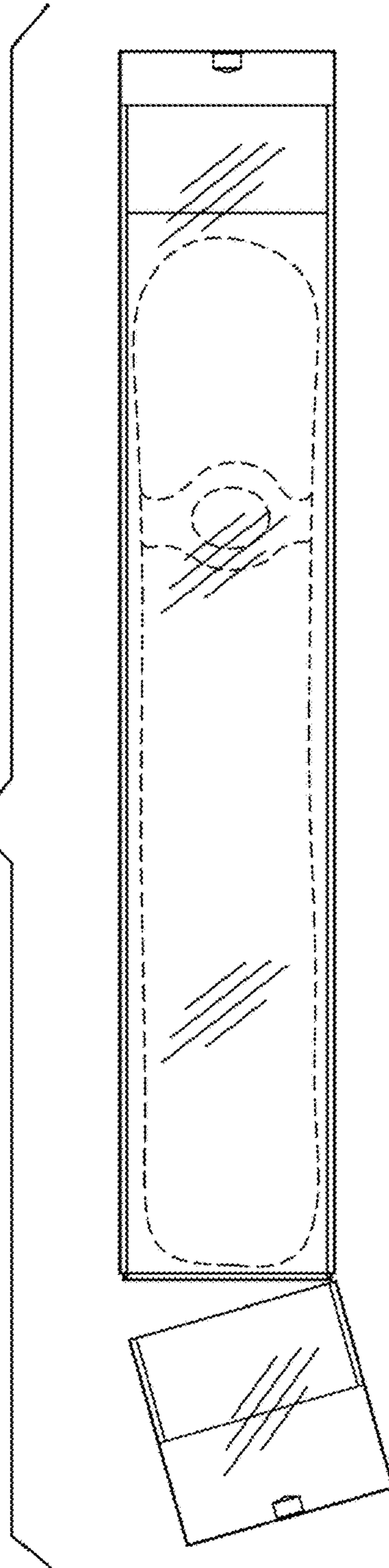


FIG. 5

FIG. 6



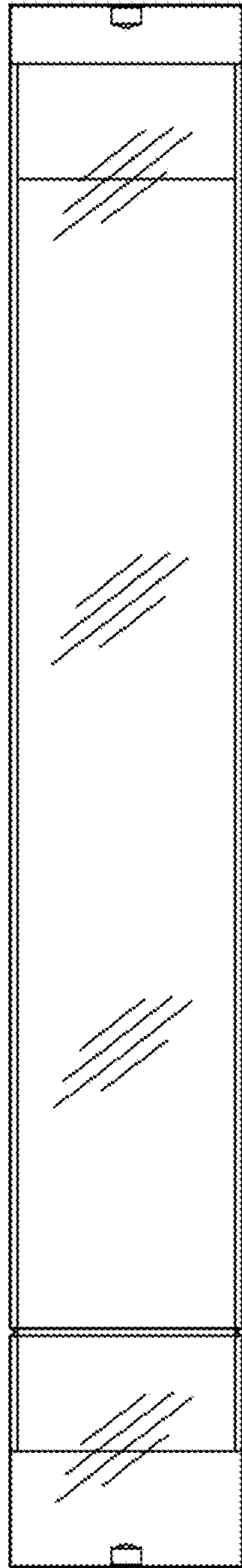


FIG. 7

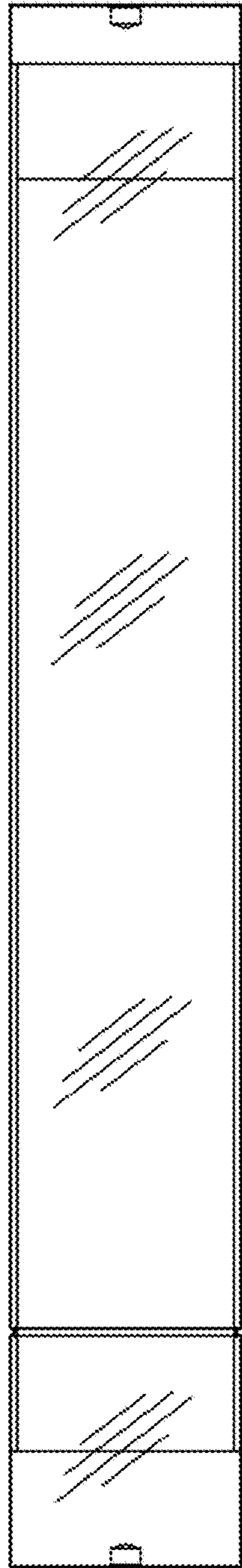


FIG. 8

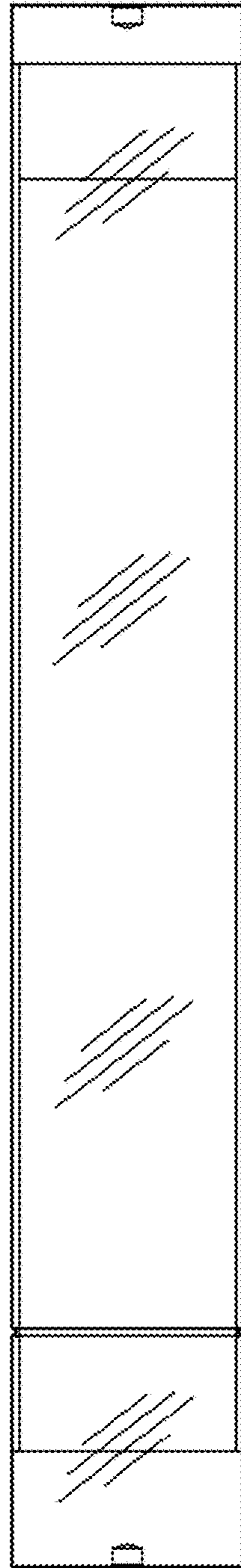


FIG. 9

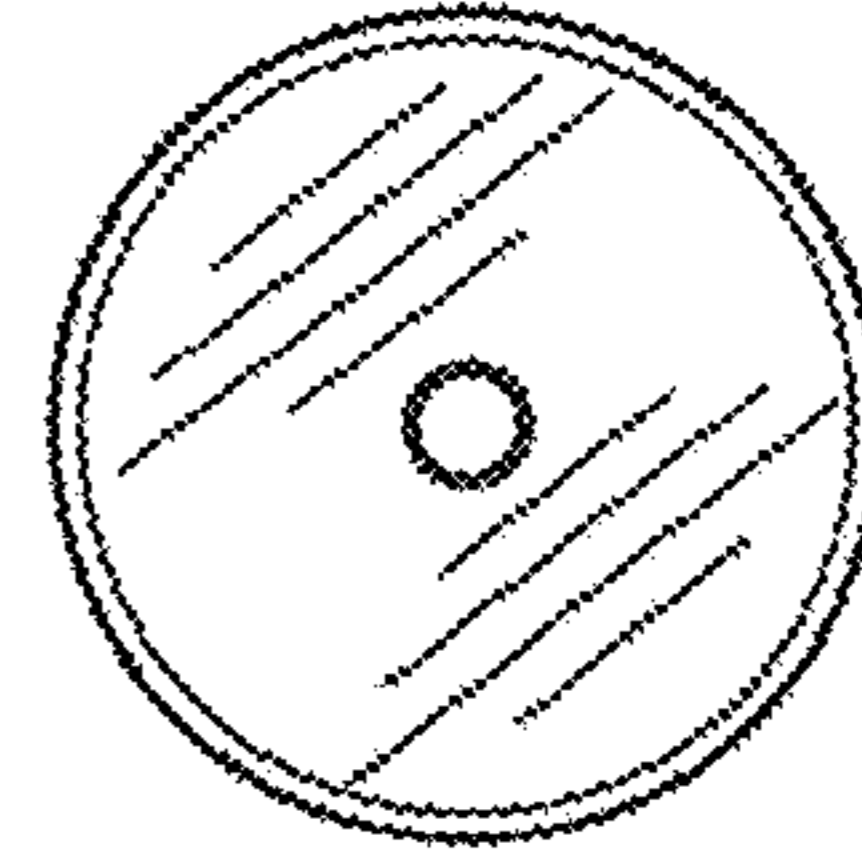


FIG. 10

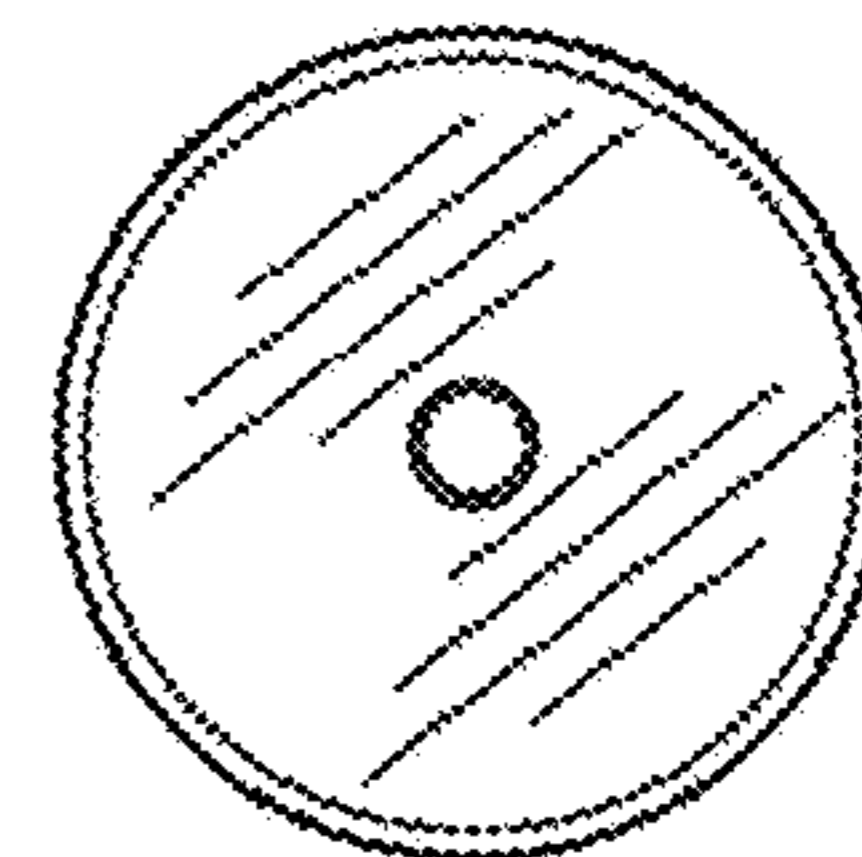


FIG. 11