



US00D861977S

(12) **United States Design Patent** (10) **Patent No.:** **US D861,977 S**
Masri (45) **Date of Patent:** **** Oct. 1, 2019**

(54) **HEAT MANAGEMENT UNIT FOR A HOOKAH**

DESCRIPTION

(71) Applicant: **Starbuzz Tobacco, Inc.**, Garden Grove, CA (US)

(72) Inventor: **Rodney Masri**, Statesboro, GA (US)

(73) Assignee: **Starbuzz Tobacco, Inc.**, Garden Grove, CA (US)

(**) Term: **15 Years**

(21) Appl. No.: **29/636,018**

(22) Filed: **Feb. 5, 2018**

(51) **LOC (12) Cl.** **27-06**

(52) **U.S. Cl.**
USPC **D27/167**

(58) **Field of Classification Search**
USPC D27/100, 101, 102–105, 114, 137, 139,
D27/141–144, 152, 153, 154, 155, 160,
(Continued)

(56) **References Cited**

U.S. PATENT DOCUMENTS

D150,357 S * 7/1948 Herbster D23/390
D158,672 S * 5/1950 Koch D23/390
(Continued)

OTHER PUBLICATIONS

Starbuzz Nar. By Shisha Gear. dated Dec. 8, 2018. found online
[May 6, 2019] <https://www.youtube.com/watch?v=m-PPbzviVRk>.*

Primary Examiner — Marissa J Cash

(74) *Attorney, Agent, or Firm* — Klein, O’Neill & Singh,
LLP

(57) **CLAIM**

The ornamental design for a heat management unit for a hookah, as shown and described.

FIG. 1 is a perspective view of a second embodiment of a heat management unit for a hookah embodying the new design;

FIG. 2 is a perspective view thereof, but viewed from another angle;

FIG. 3 is a bottom perspective view thereof;

FIG. 4 is a top plan view thereof;

FIG. 5 is a bottom plan view thereof;

FIG. 6 is a left side elevation view thereof;

FIG. 7 is a right side elevation view thereof;

FIG. 8 is a rear elevation view thereof;

FIG. 9 is a front elevation view thereof;

FIG. 10 is a perspective view of a third embodiment of a heat management unit for a hookah embodying the new design;

FIG. 11 is a perspective view thereof, but viewed from another angle;

FIG. 12 is a bottom perspective view thereof;

FIG. 13 is a top plan view thereof;

FIG. 14 is a bottom plan view thereof;

FIG. 15 is a left side elevation view thereof;

FIG. 16 is a right side elevation view thereof;

FIG. 17 is a rear elevation view thereof;

FIG. 18 is a front elevation view thereof;

FIG. 19 is a perspective view of a fourth embodiment of a heat management unit for a hookah embodying the new design;

FIG. 20 is a perspective view thereof, but viewed from another angle;

FIG. 21 is a bottom perspective view thereof;

FIG. 22 is a top plan view thereof;

FIG. 23 is a bottom plan view thereof;

FIG. 24 is a left side elevation view thereof;

FIG. 25 is a right side elevation view thereof;

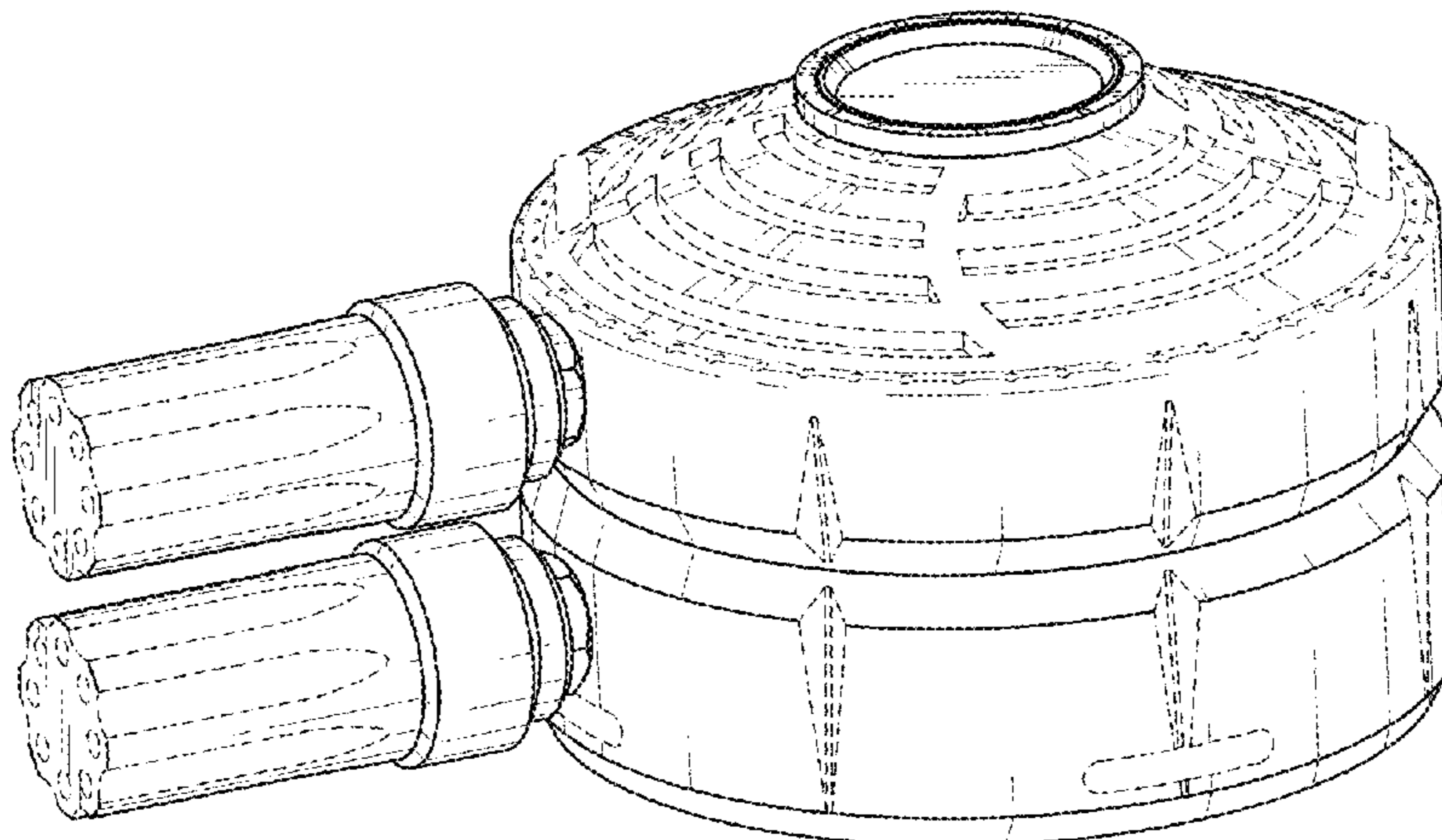
FIG. 26 is a rear elevation view thereof; and,

FIG. 27 is a front elevation view thereof.

Broken lines are for illustrative purpose only and form no part of the claimed design.

The shading lines only help to show the shape and do not depict any surface decoration.

1 Claim, 15 Drawing Sheets



(58) **Field of Classification Search**

USPC D27/161, 162-196, 136, 128; D23/366,
 D23/332, 390; D7/416; D24/110;
 D8/371, 380, 499; D32/25; D15/199;
 D9/626, 349, 432; D11/143, 146
 CPC A24F 47/002; A24F 47/00; A24F 3/02;
 A24C 5/44; A24C 5/425
 See application file for complete search history.

8,464,725	B2	6/2013	Badawi	
8,490,630	B2	7/2013	Boutros et al.	
8,590,541	B2	11/2013	Mehio	
8,757,170	B2	6/2014	Kaplani	
8,763,799	B2	7/2014	Haidar	
8,826,915	B2	9/2014	Mehio	
9,107,456	B2	8/2015	Mehio	
9,179,710	B2	11/2015	Chaoui	
9,237,770	B2	1/2016	Bavar	
9,247,772	B2	2/2016	Mehio	
D760,430	S *	6/2016	Hanna	D27/162
D764,652	S *	8/2016	Weiss	D23/390
D802,836	S *	11/2017	Ghiotti	D27/186
D804,093	S *	11/2017	Chen	D27/195
9,833,018	B2	12/2017	Mehio	
9,877,517	B2	1/2018	Liu	
D818,567	S *	5/2018	Burnett	D23/332
D825,101	S *	8/2018	Hoch	D27/162
2007/0056599	A1	3/2007	Zoumut	
2010/0212679	A1	8/2010	Bishara	
2014/0326257	A1 *	11/2014	Jalloul	A24D 1/14 131/226

(56) **References Cited**

U.S. PATENT DOCUMENTS

D185,487	S *	6/1959	Boyer	D23/390
D383,178	S *	9/1997	Breuil	D21/523
D494,474	S *	8/2004	Houk	D27/190
7,287,530	B1	10/2007	Stuart	
D579,535	S *	10/2008	Hsu	D23/317
D617,941	S *	6/2010	Bjorkholm	D27/172
7,798,152	B1	9/2010	Tannous	
7,827,995	B2	11/2010	Chaoui	
D672,084	S *	12/2012	Ducey	D27/137
8,459,269	B2	6/2013	Zoumut	

* cited by examiner

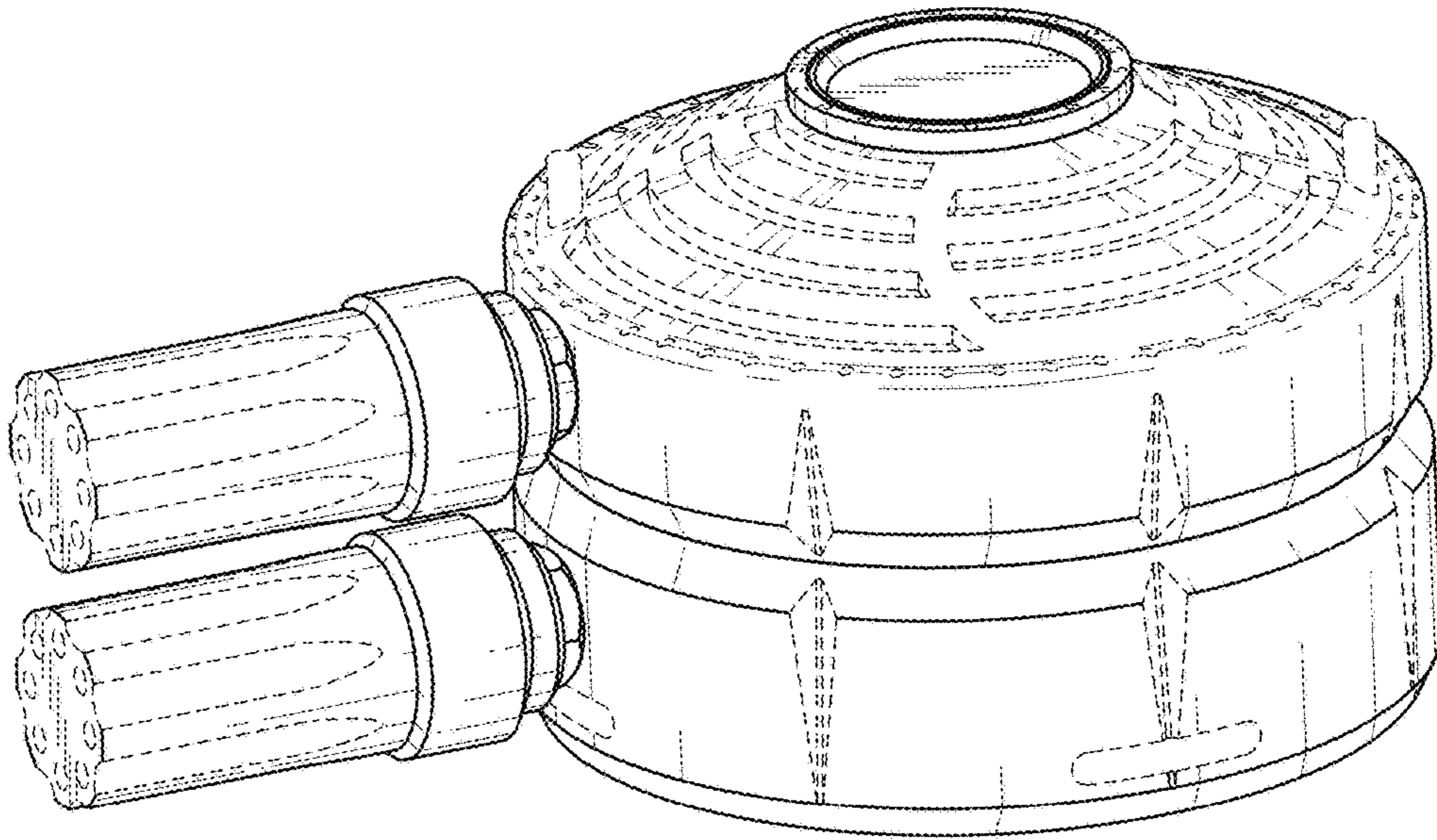


FIG. 1

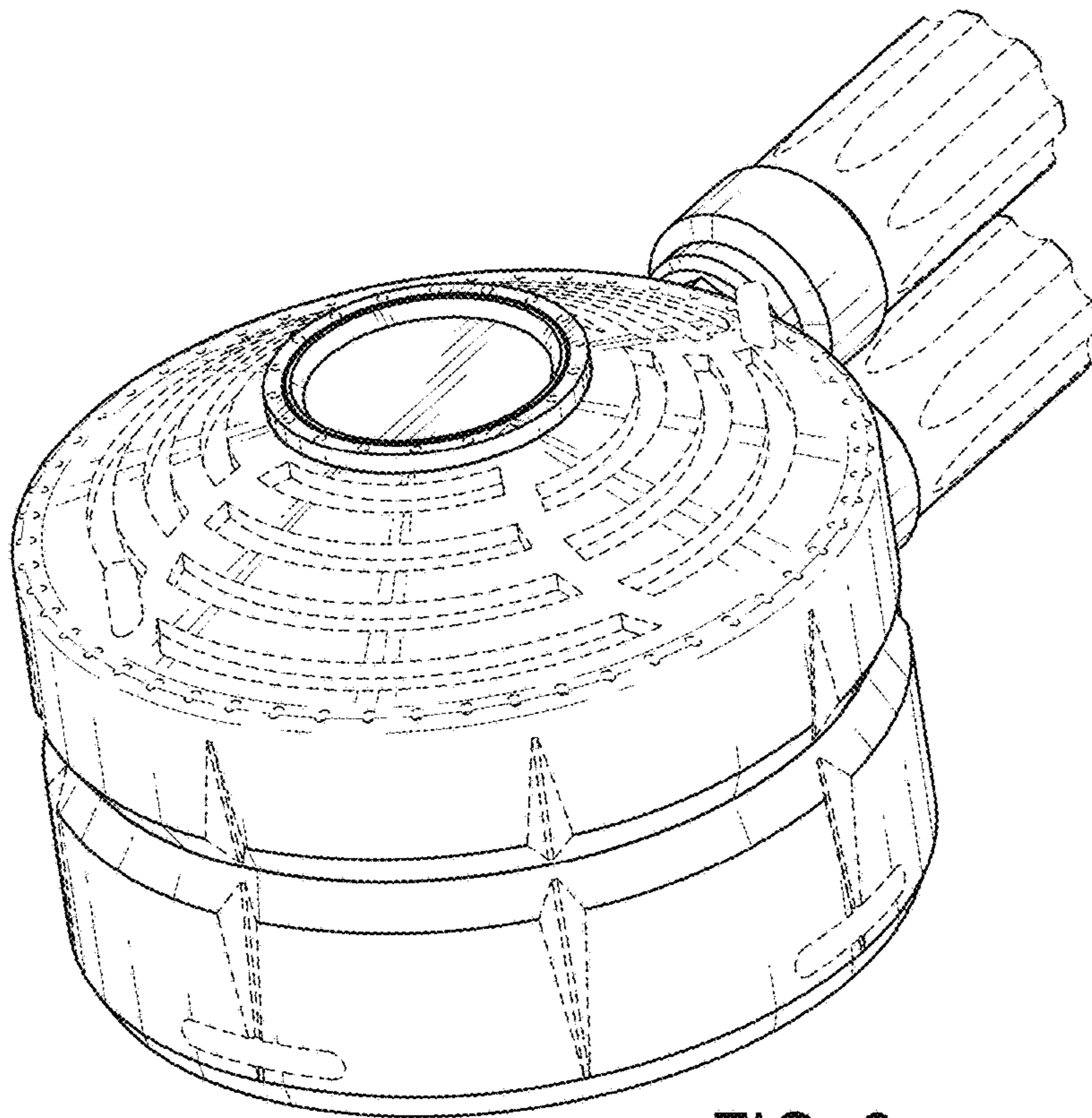


FIG. 2

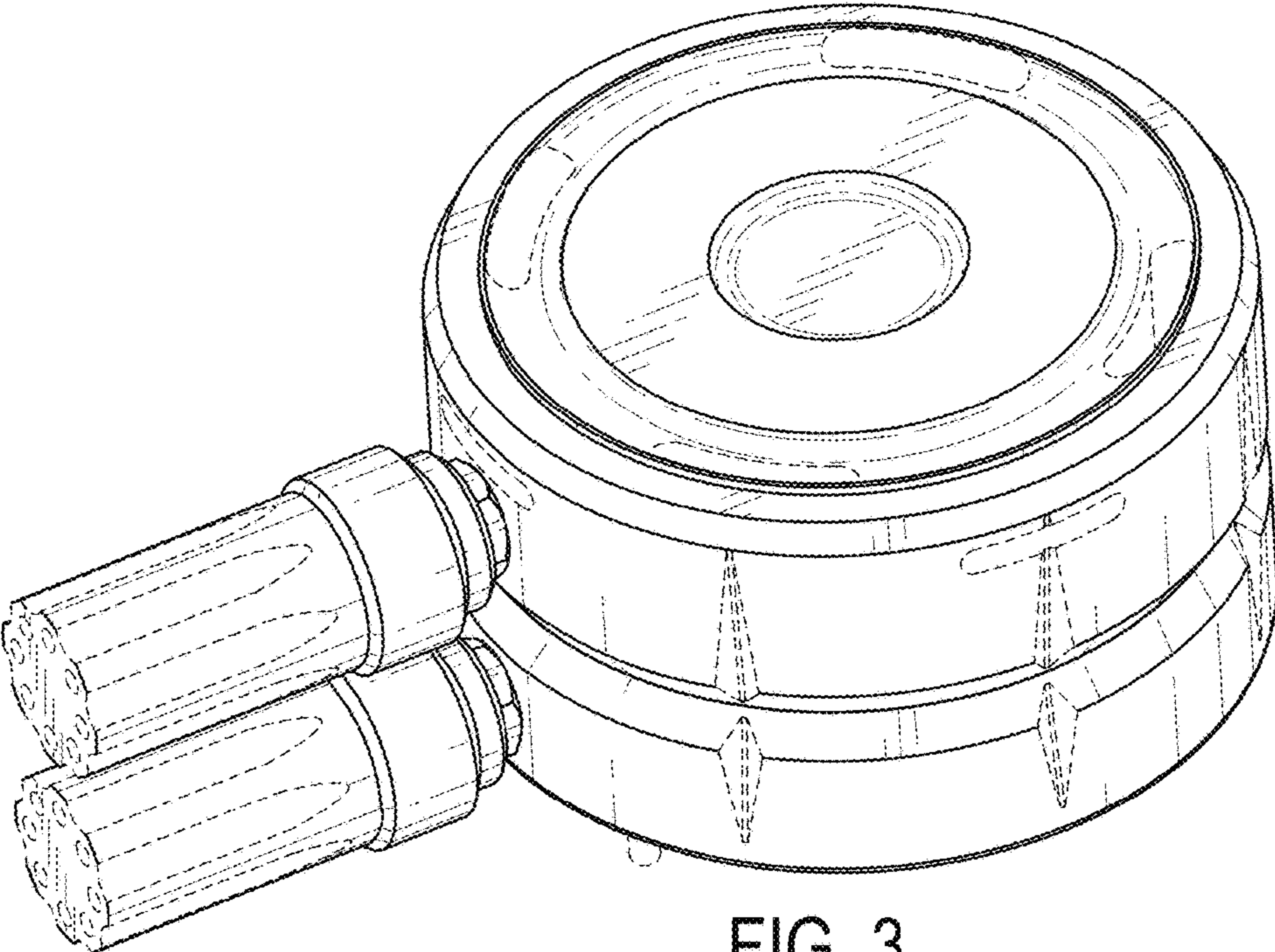


FIG. 3

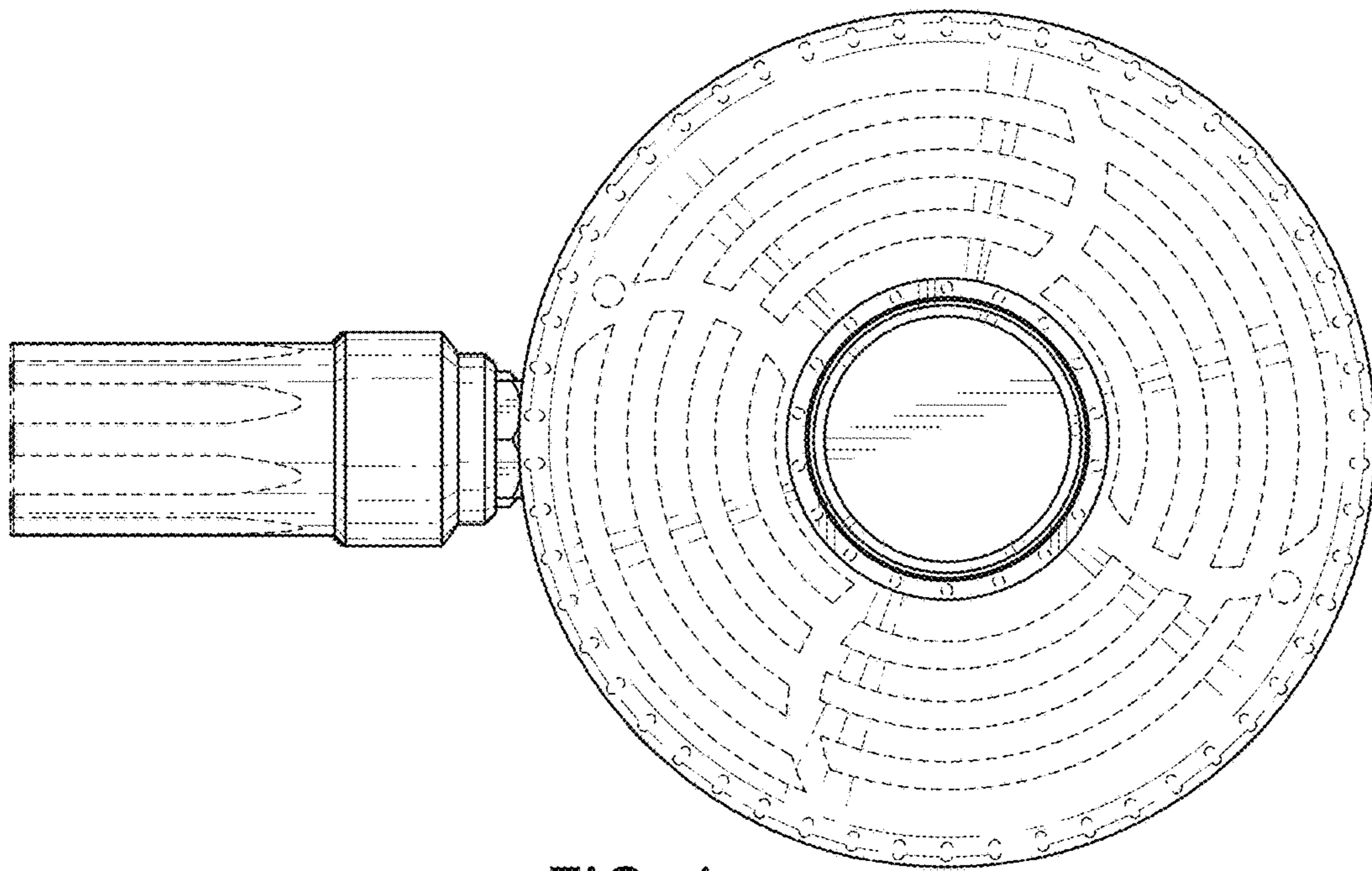


FIG. 4

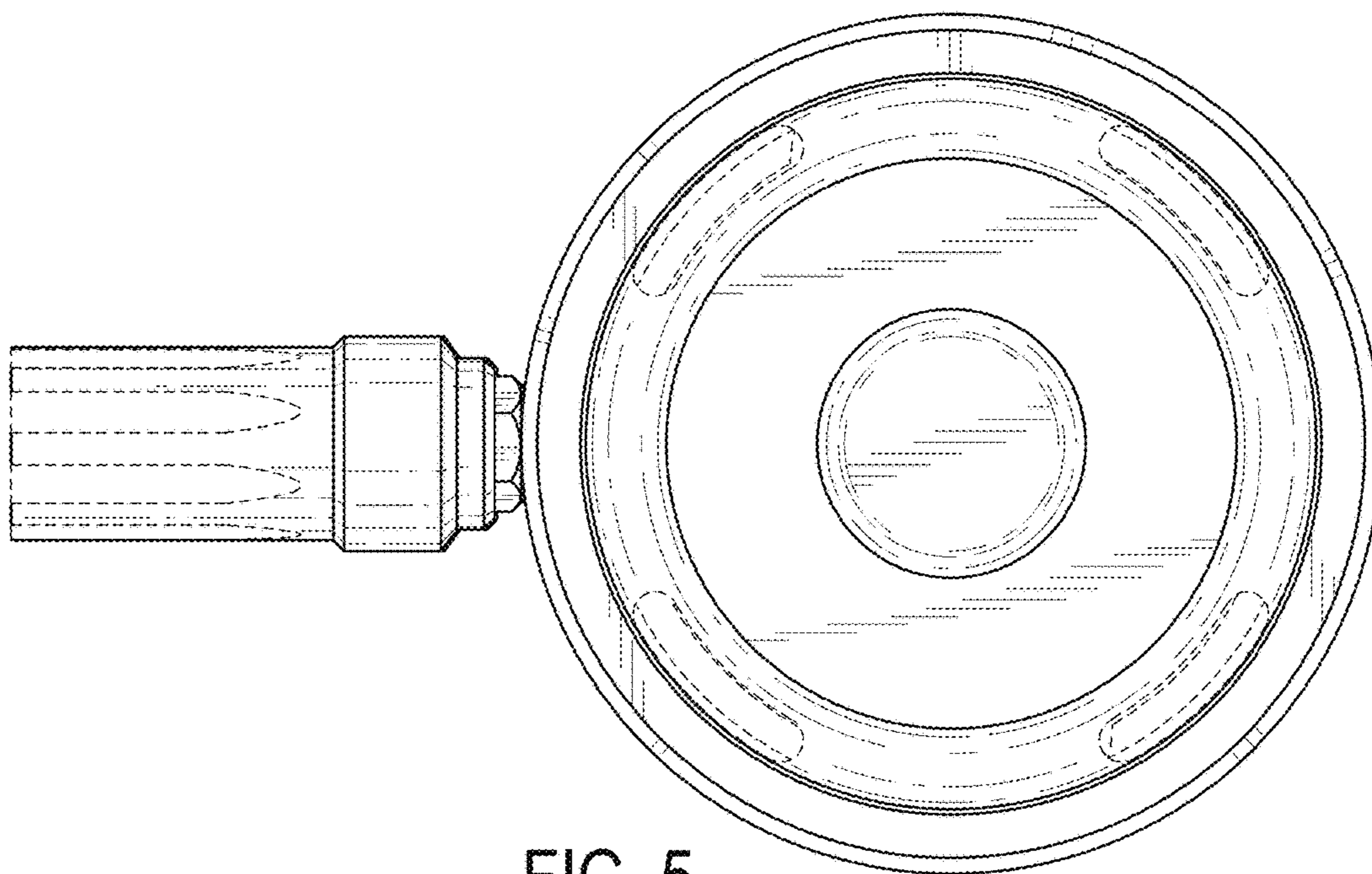


FIG. 5

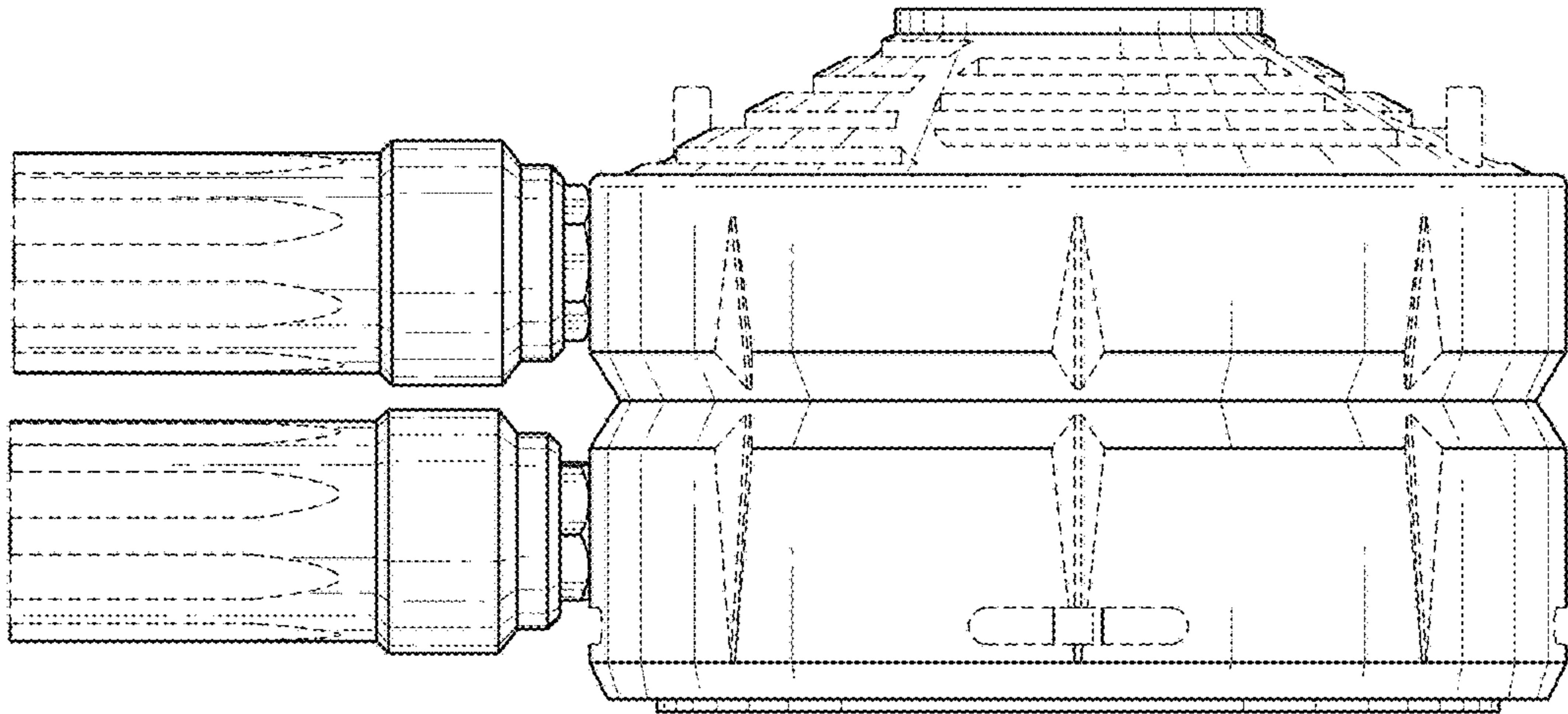


FIG. 6

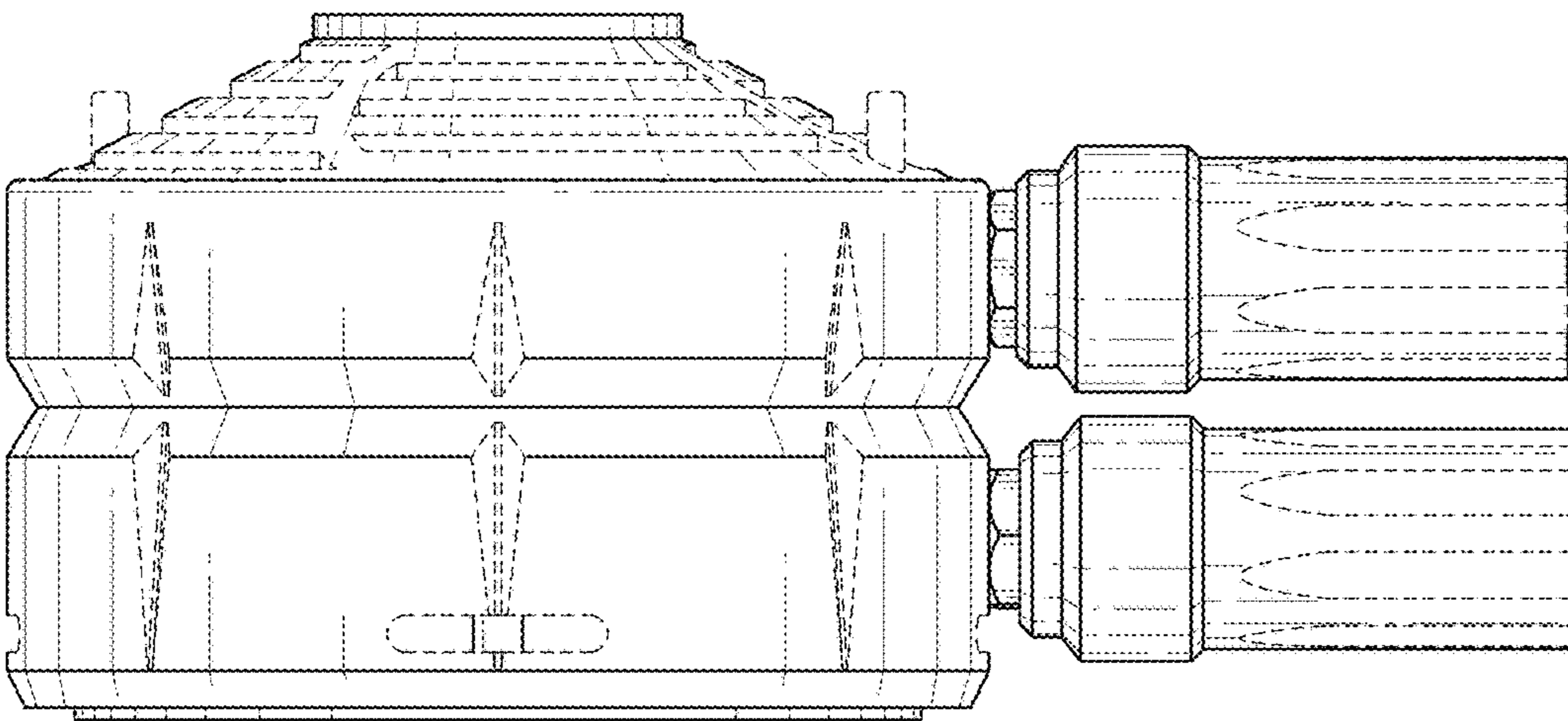


FIG. 7

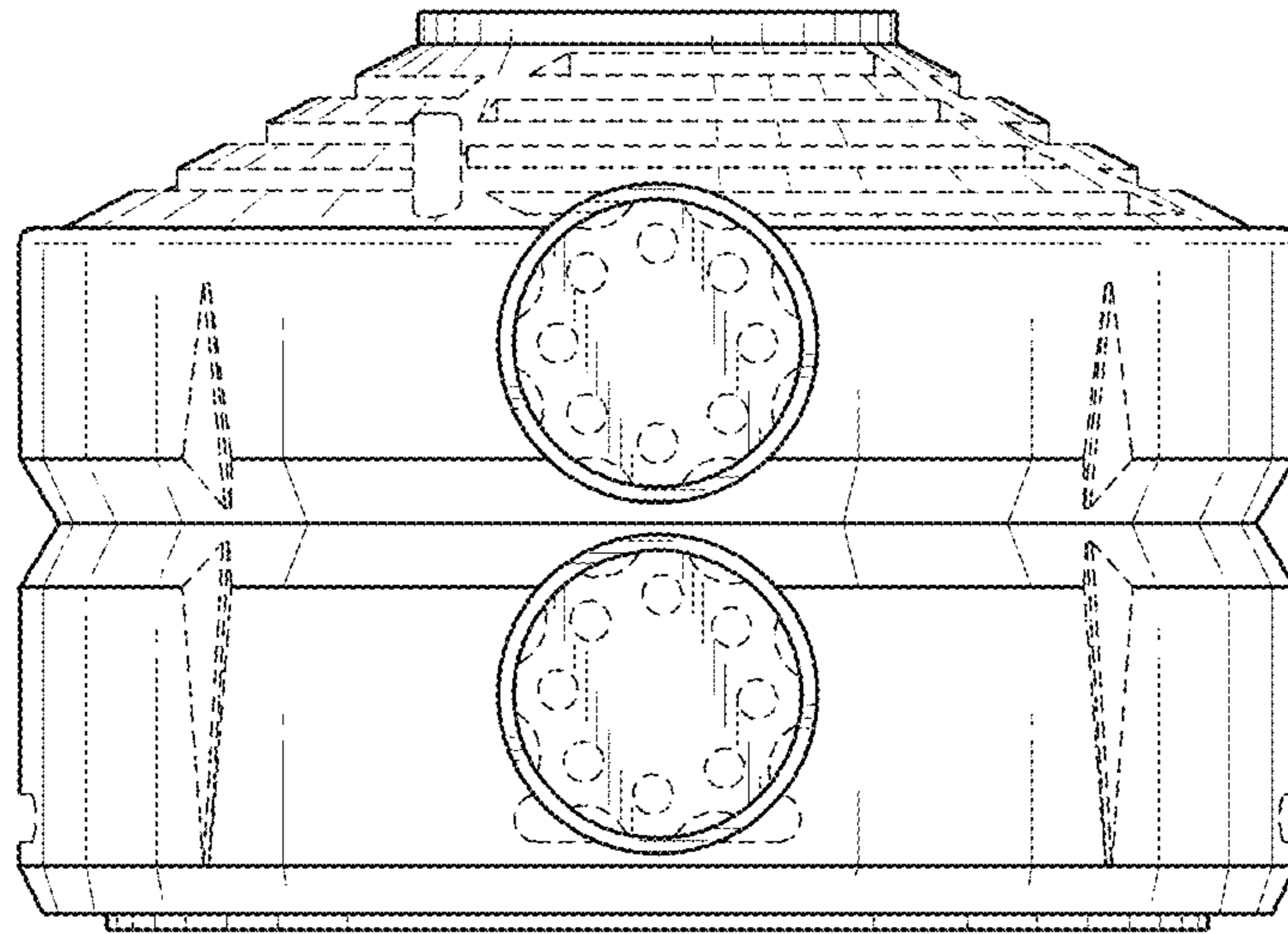


FIG. 8

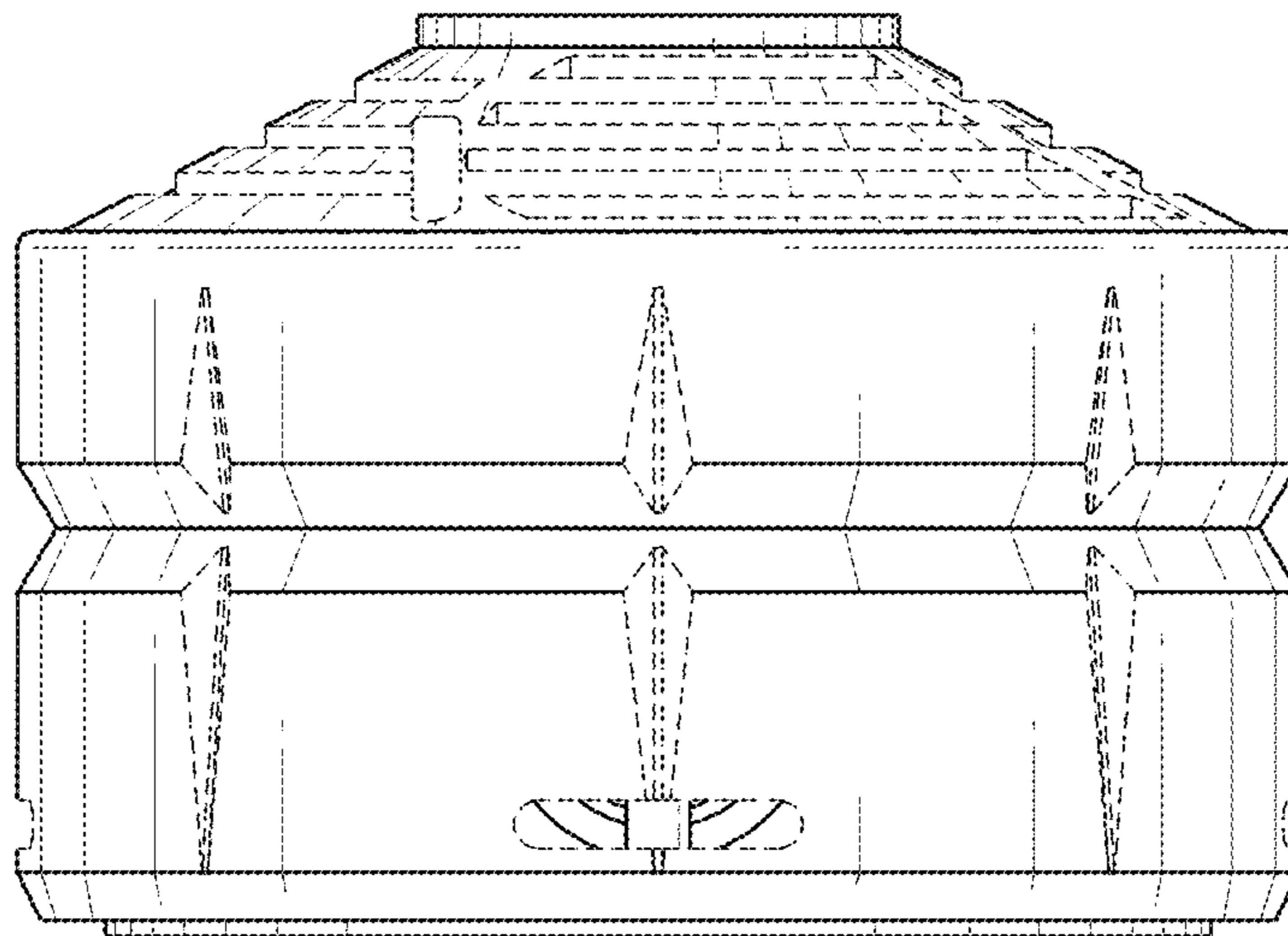


FIG. 9

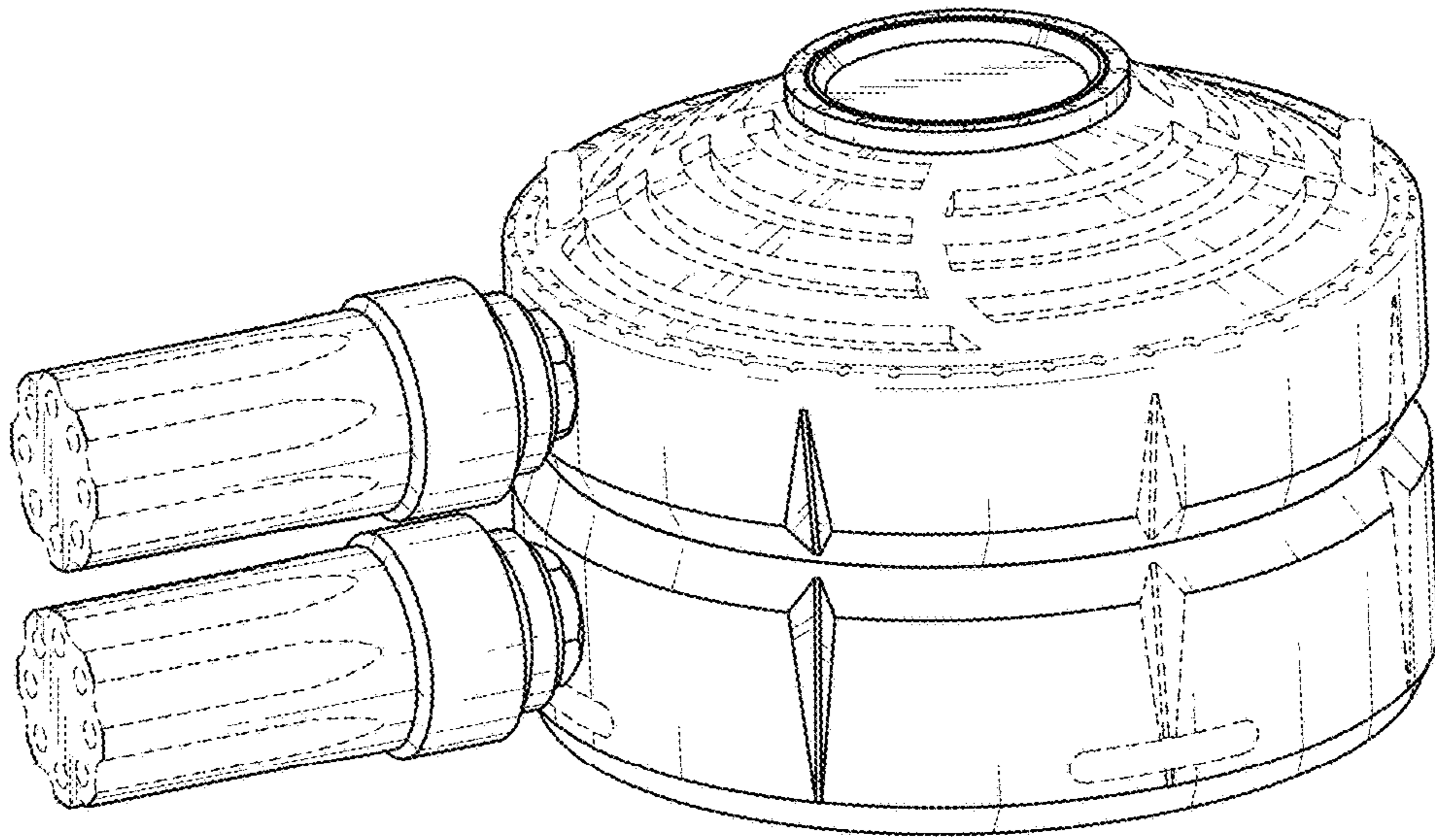


FIG. 10

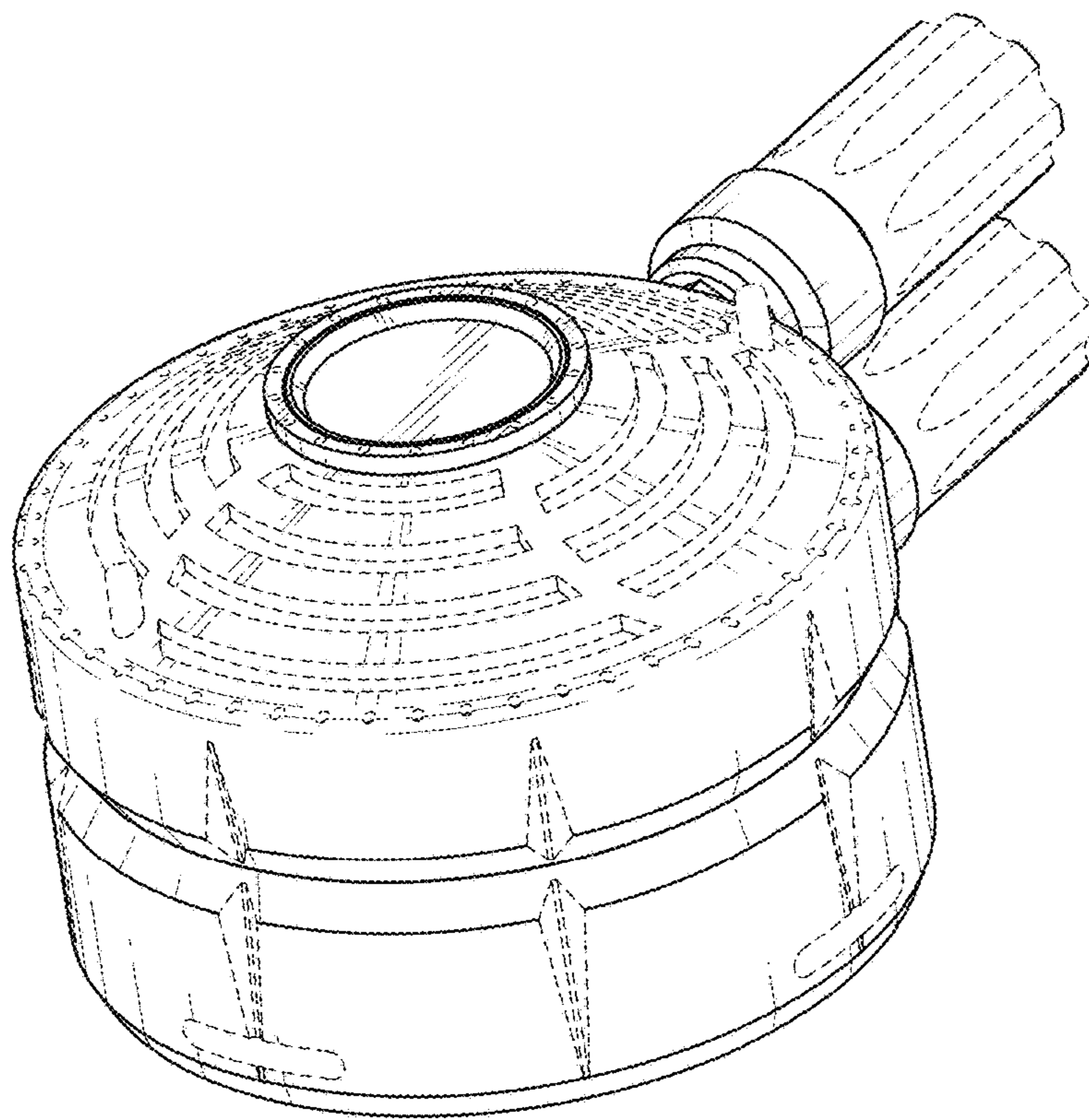


FIG. 11

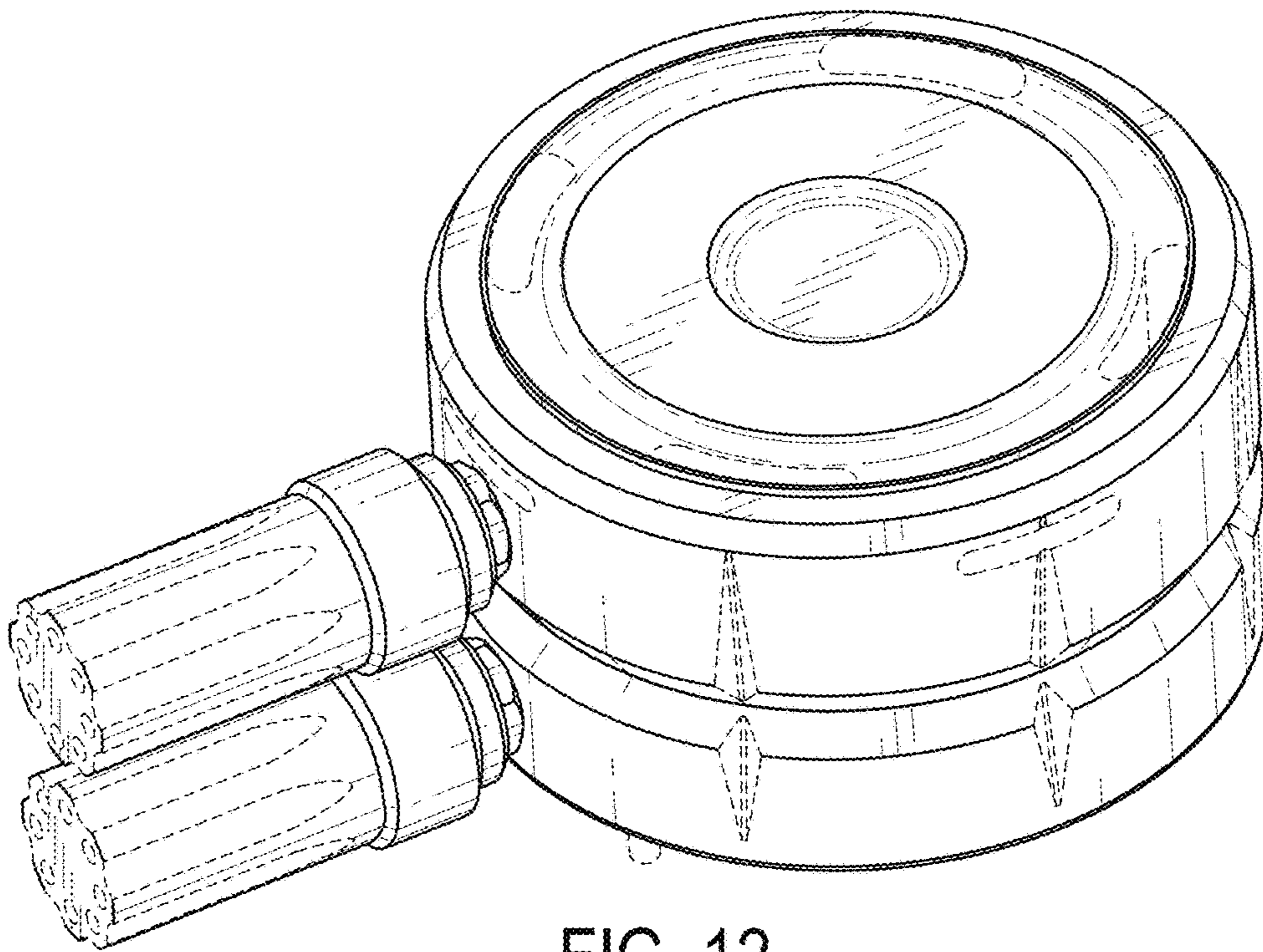


FIG. 12

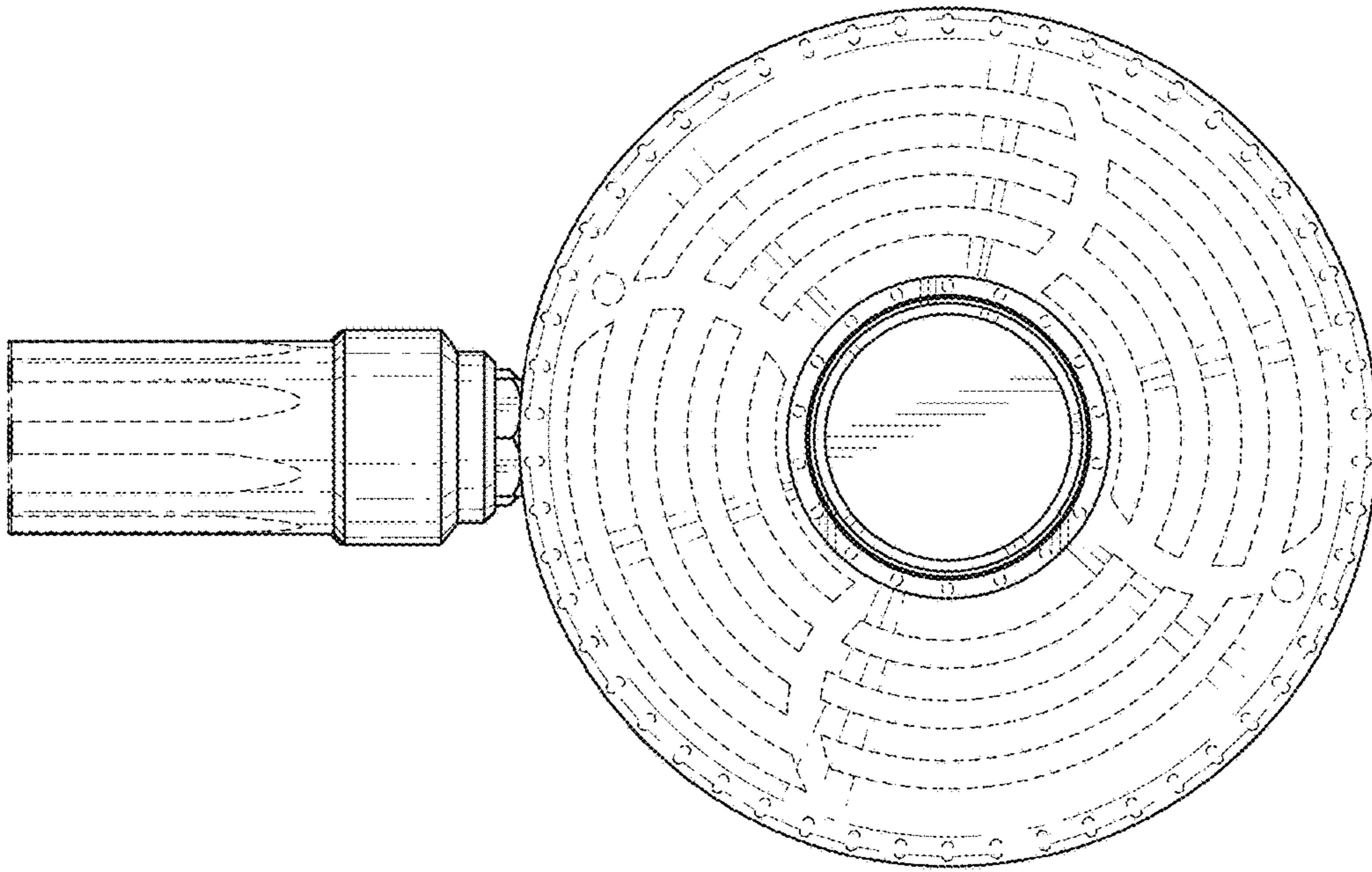


FIG. 13

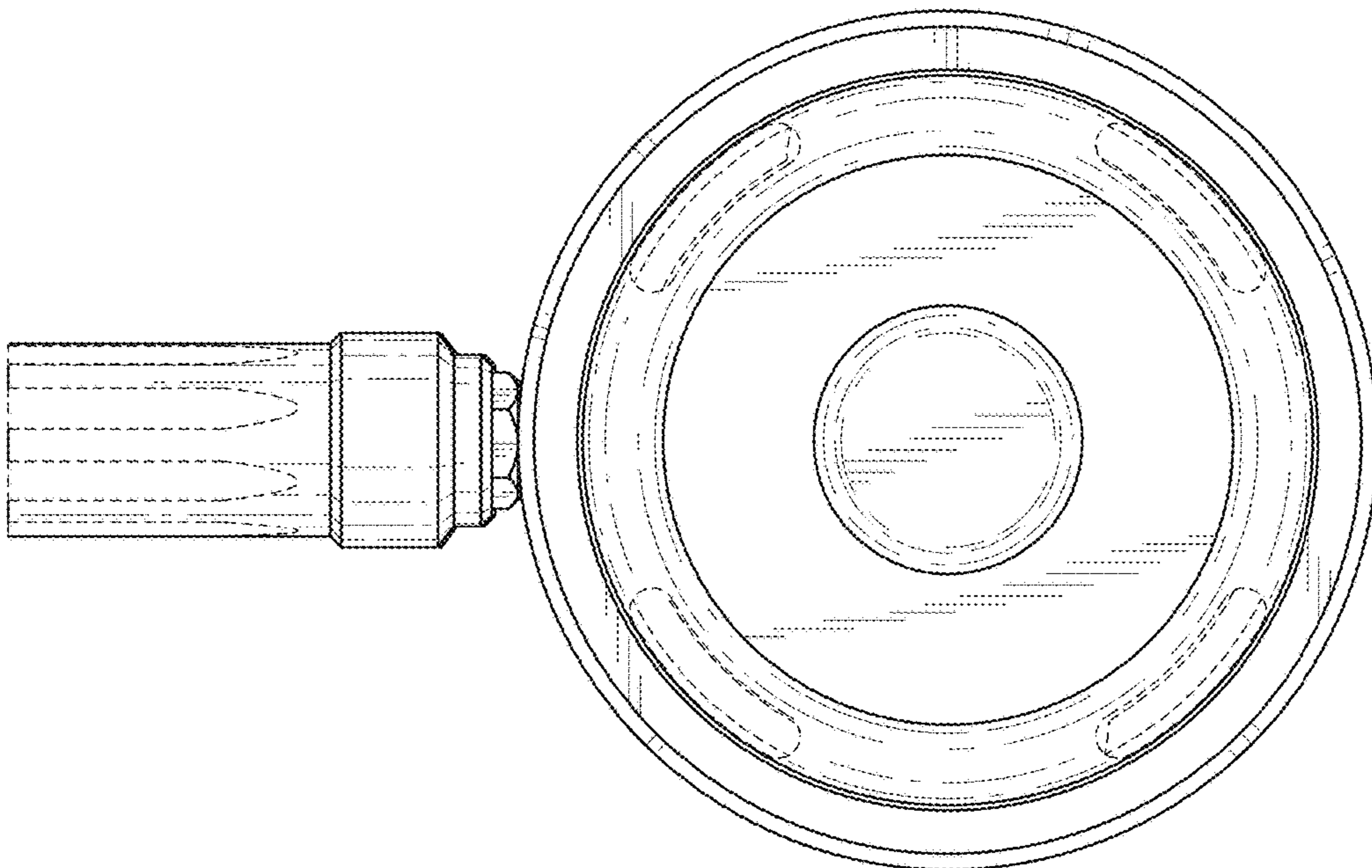


FIG. 14

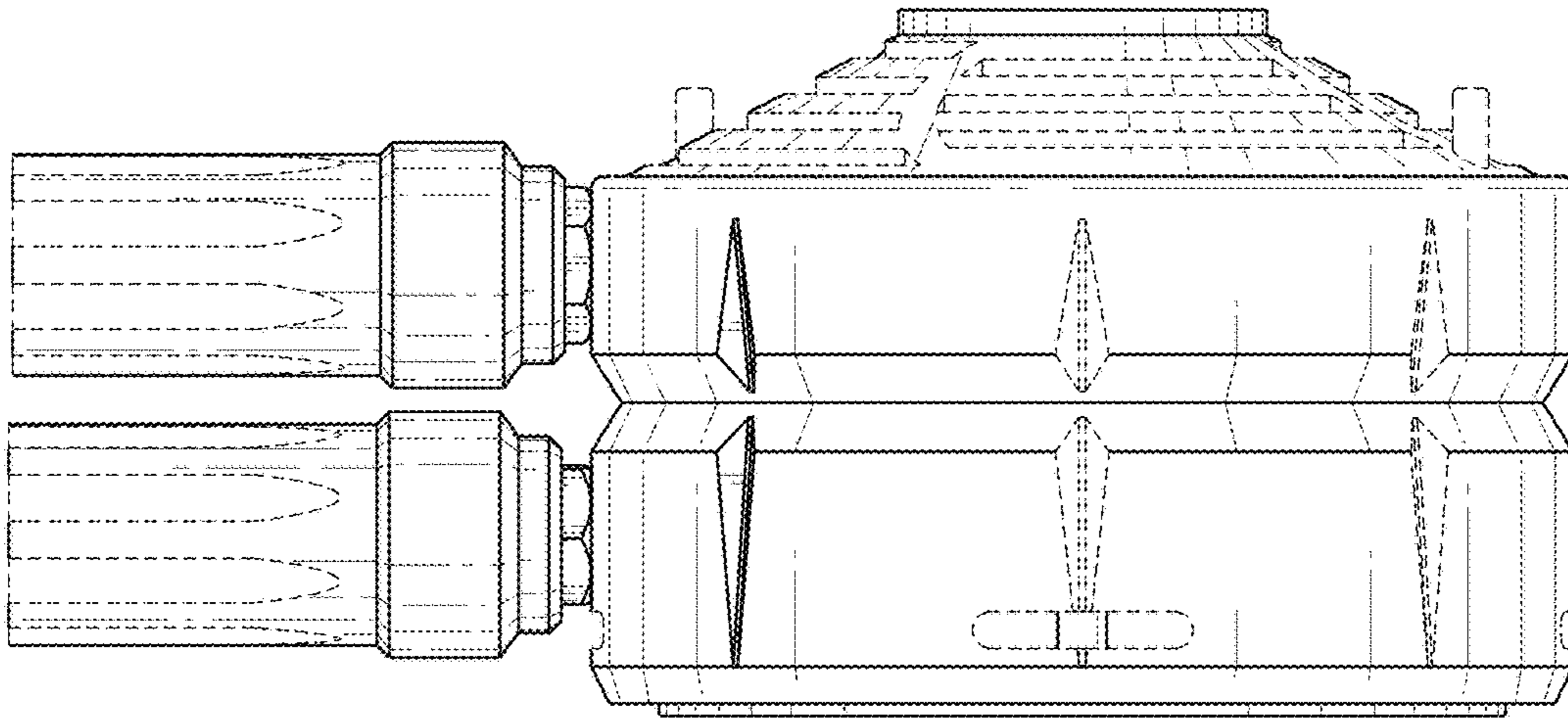


FIG. 15

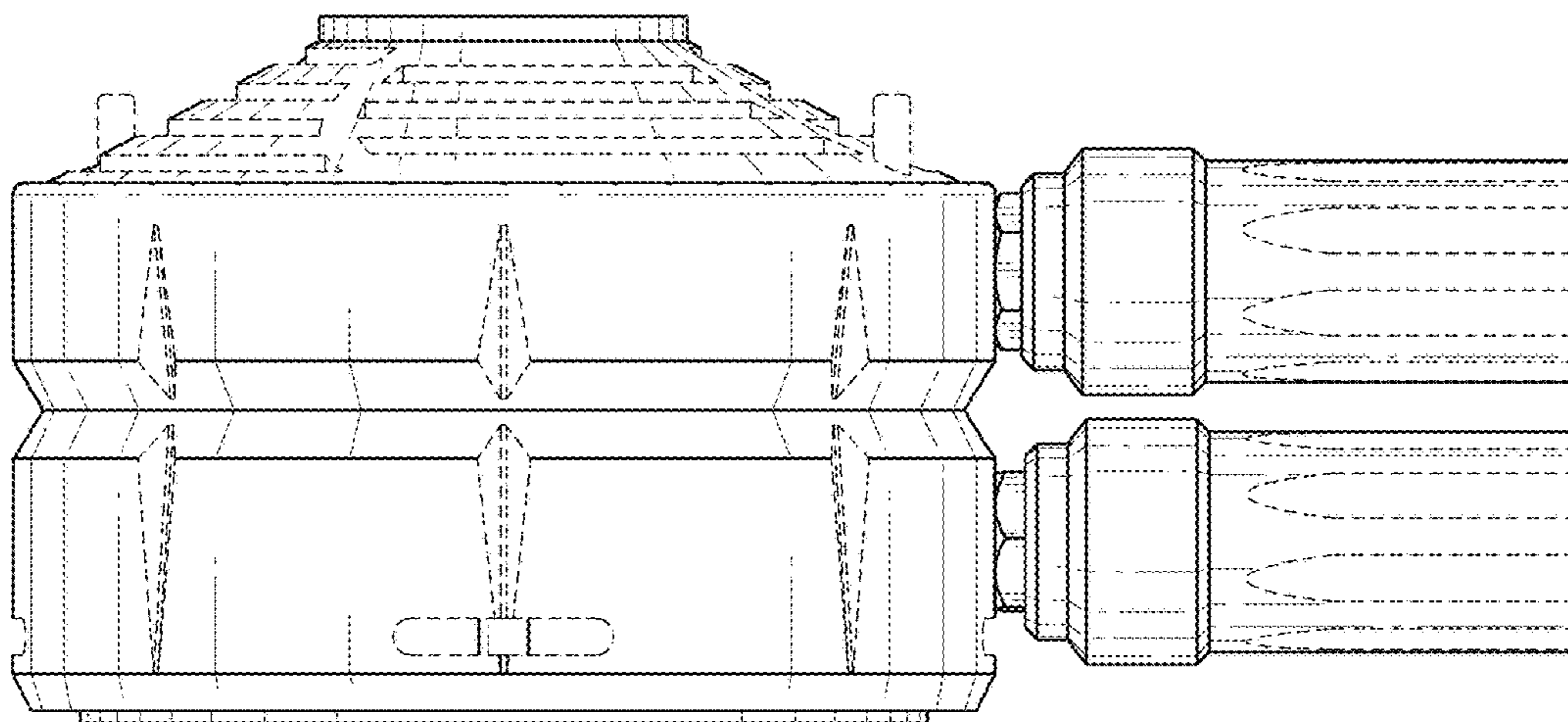


FIG. 16

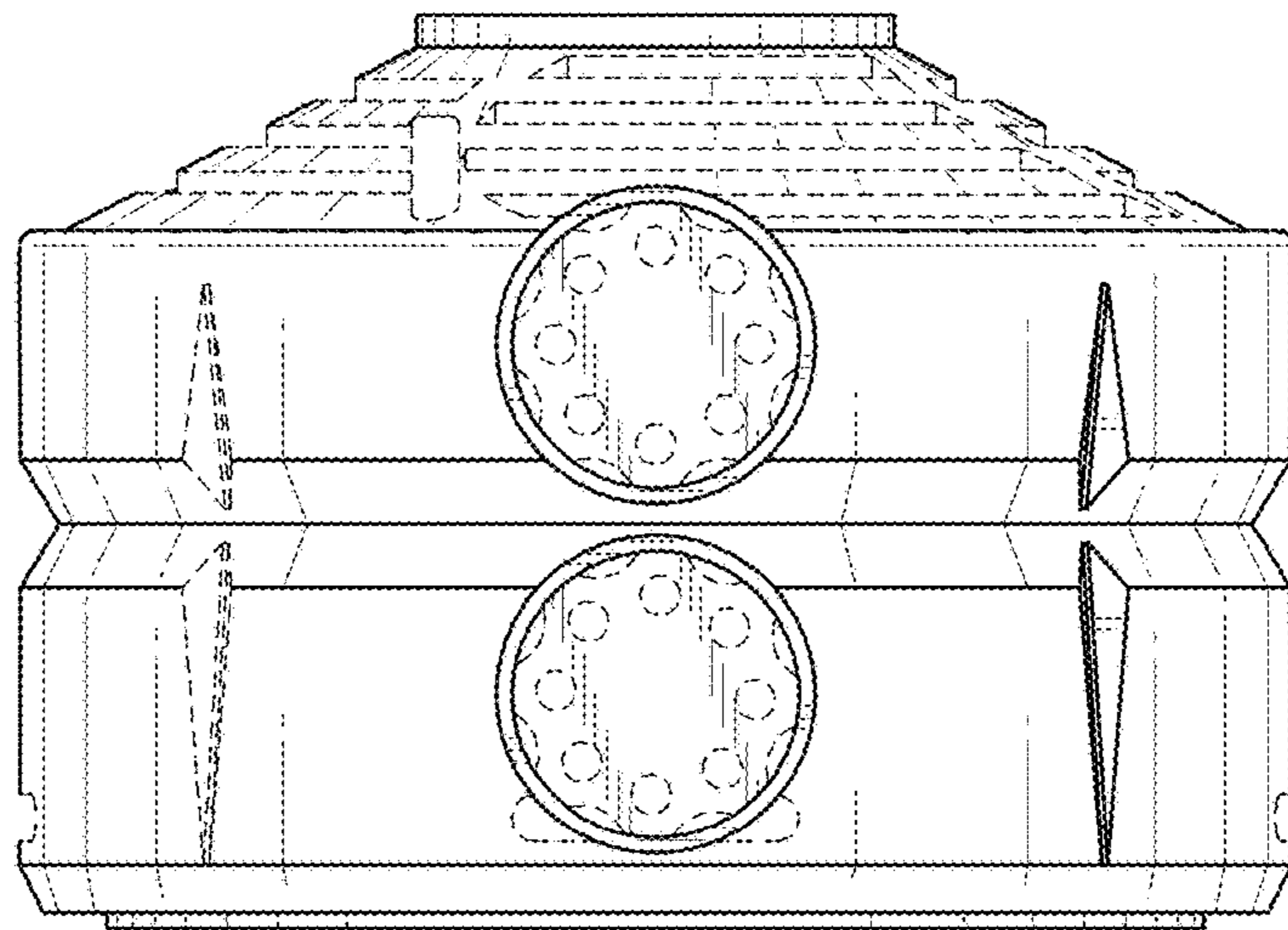


FIG. 17

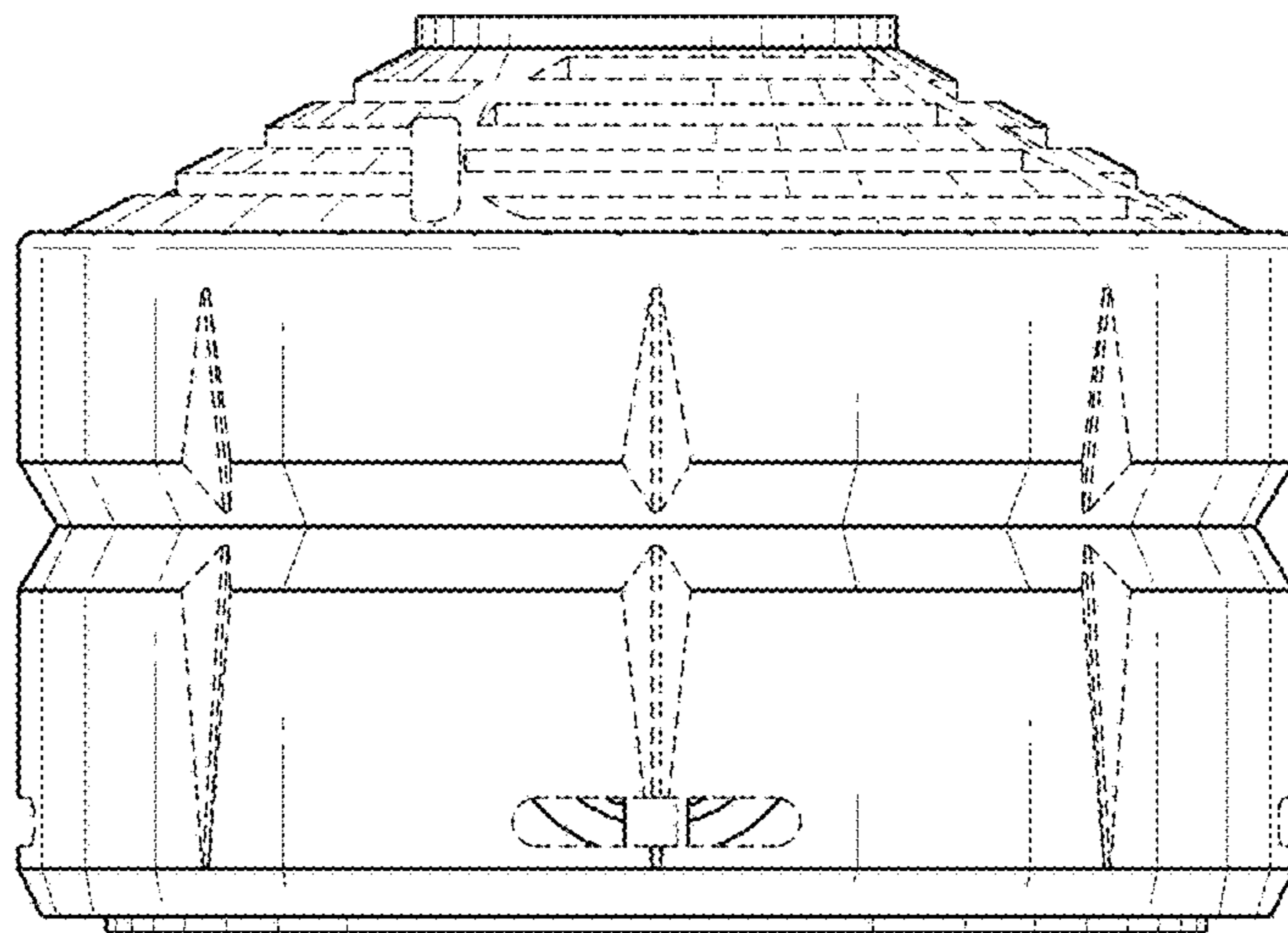


FIG. 18

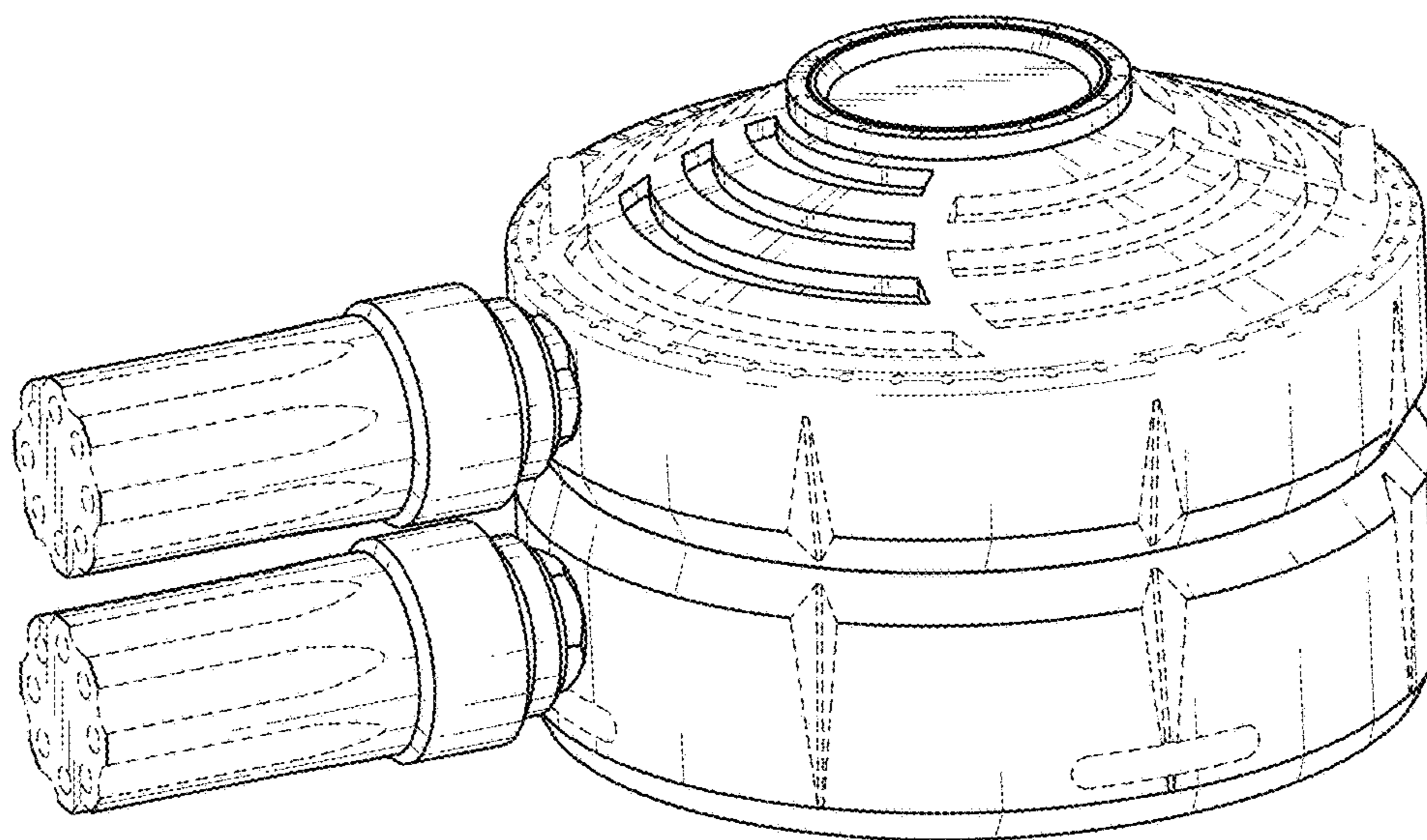


FIG. 19

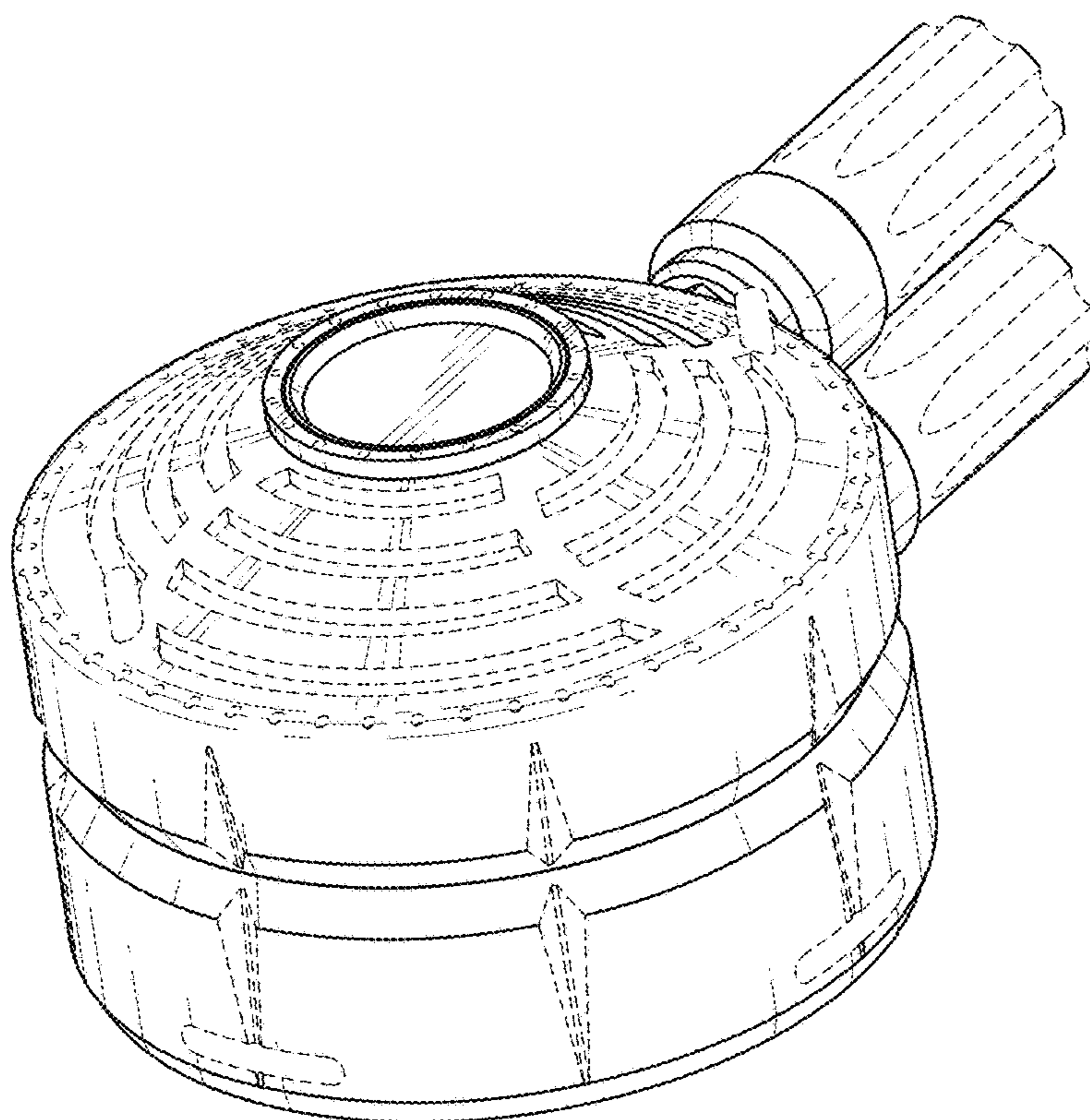


FIG. 20

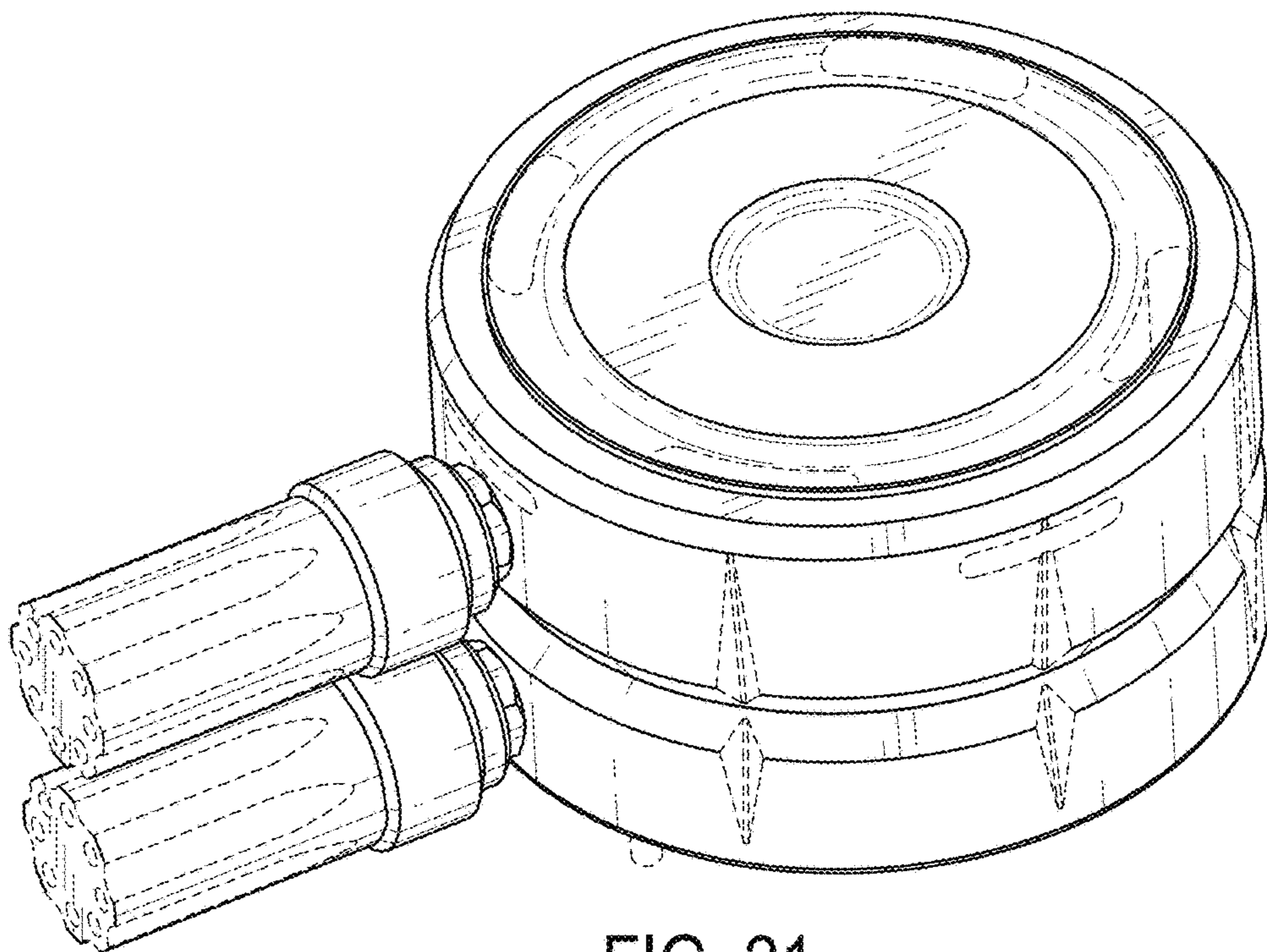


FIG. 21

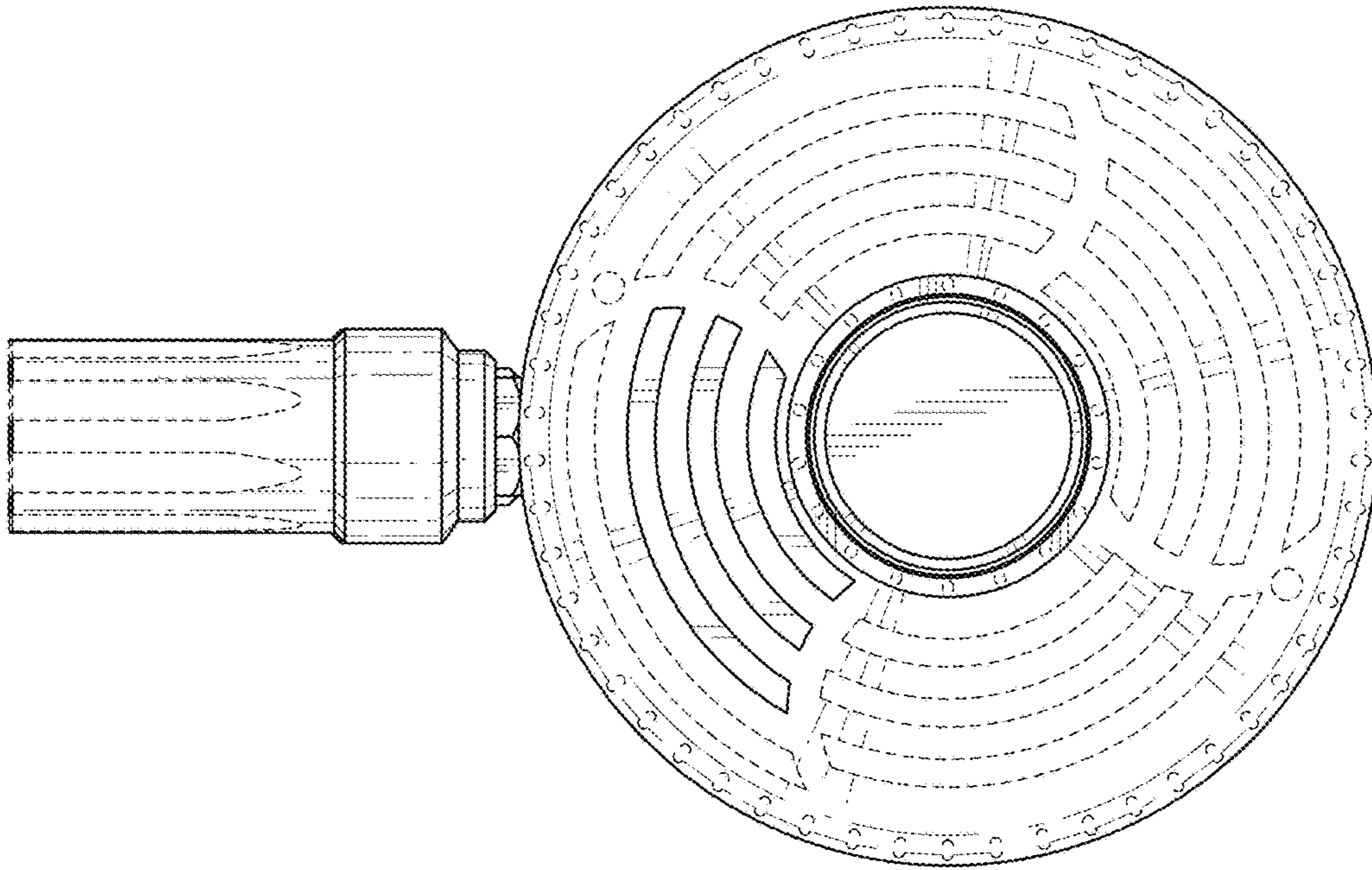


FIG. 22

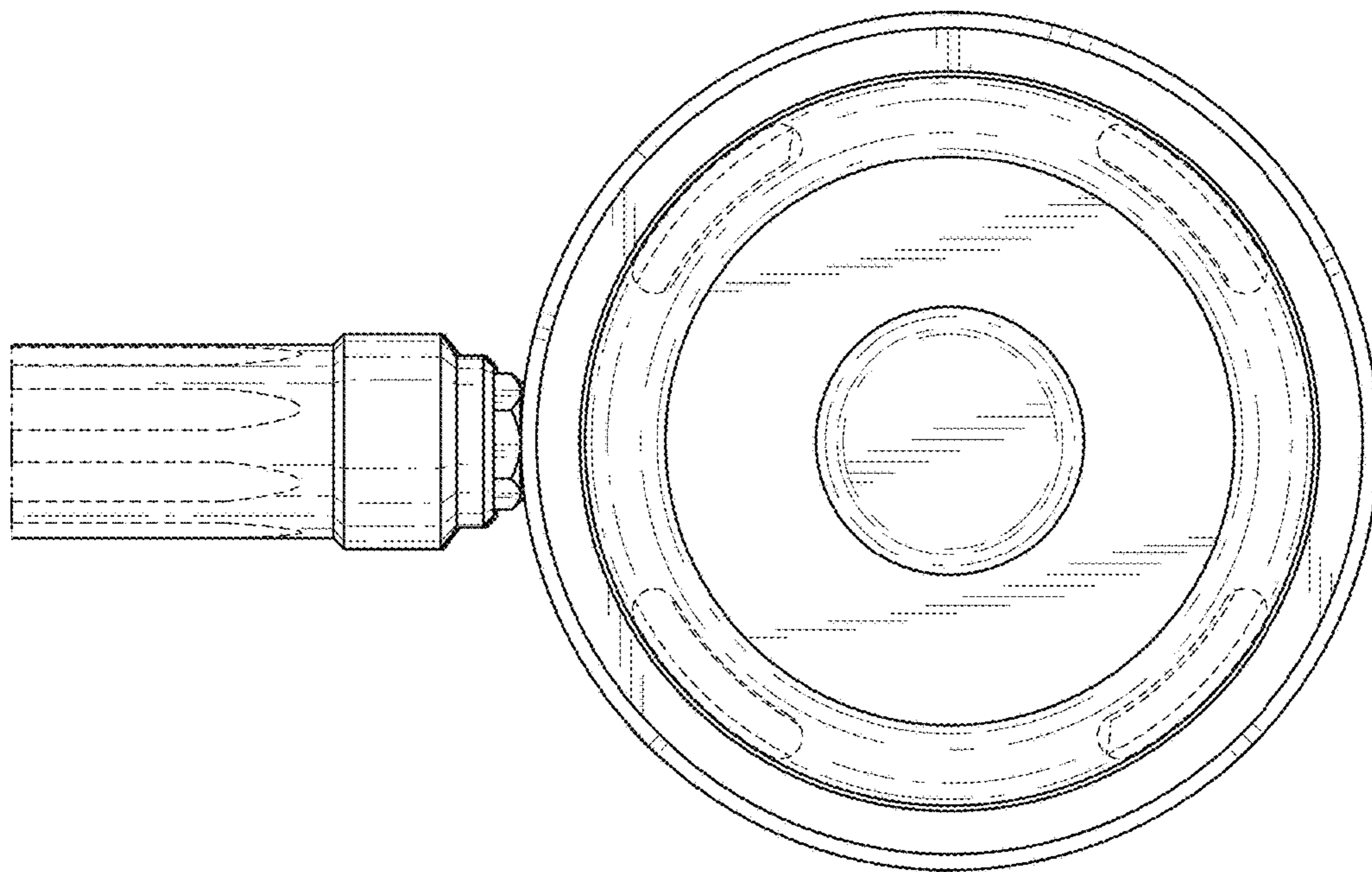


FIG. 23

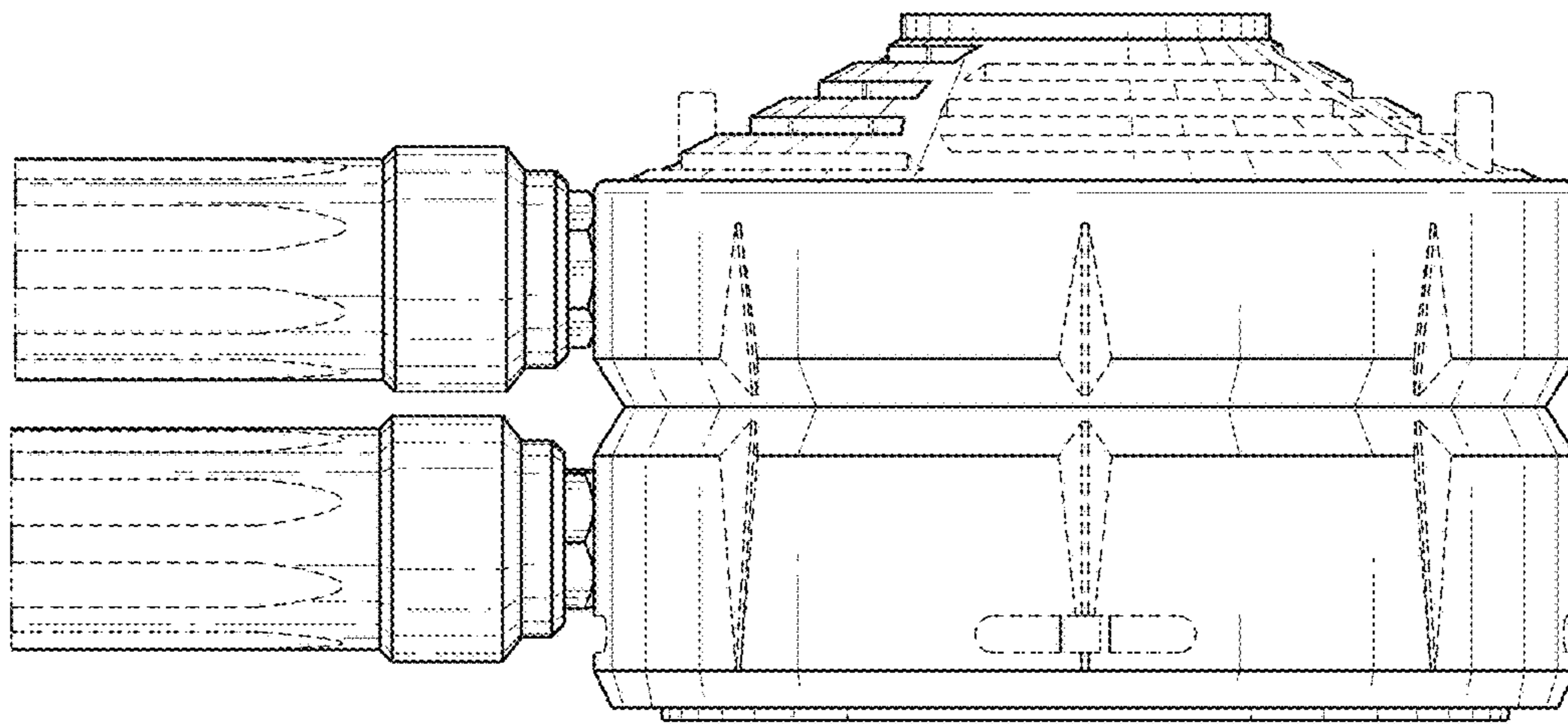


FIG. 24

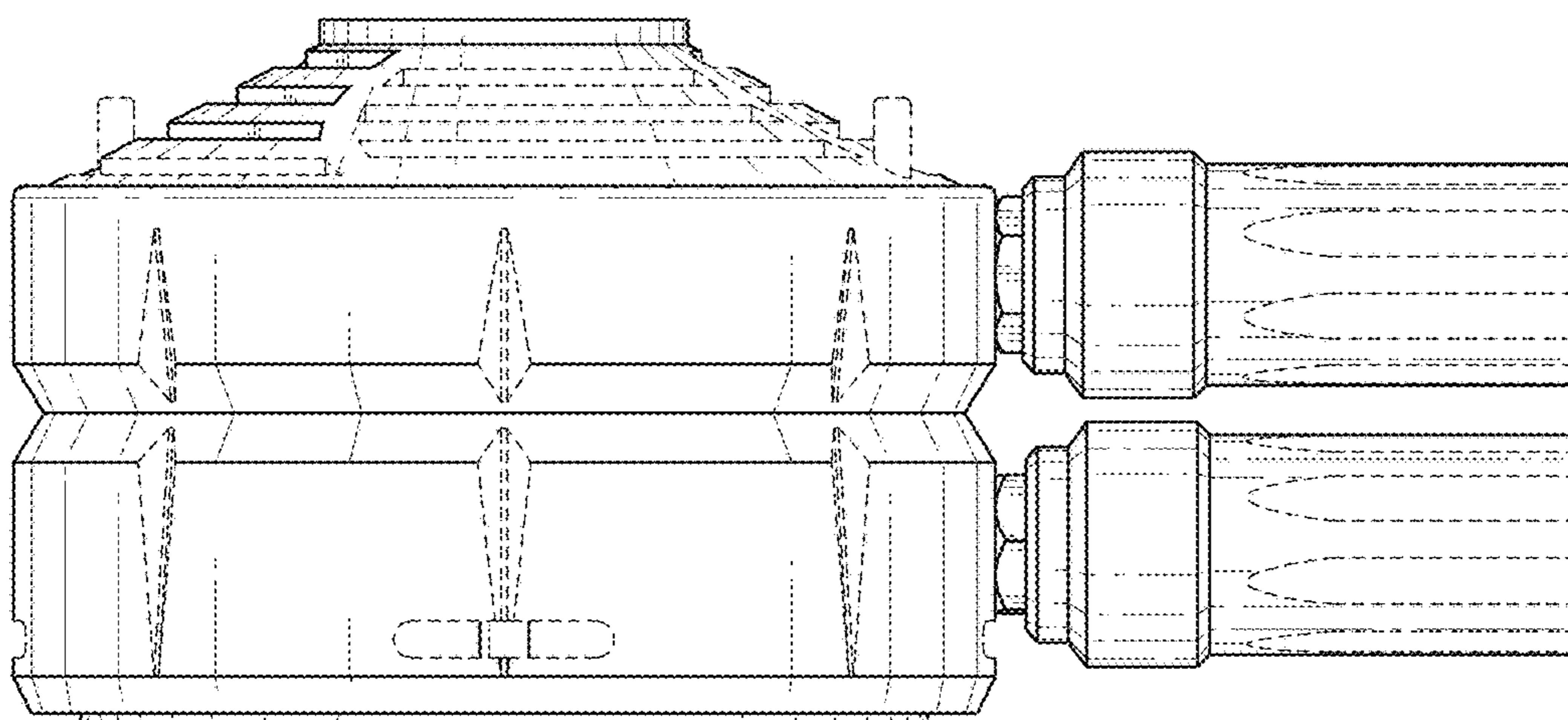


FIG. 25

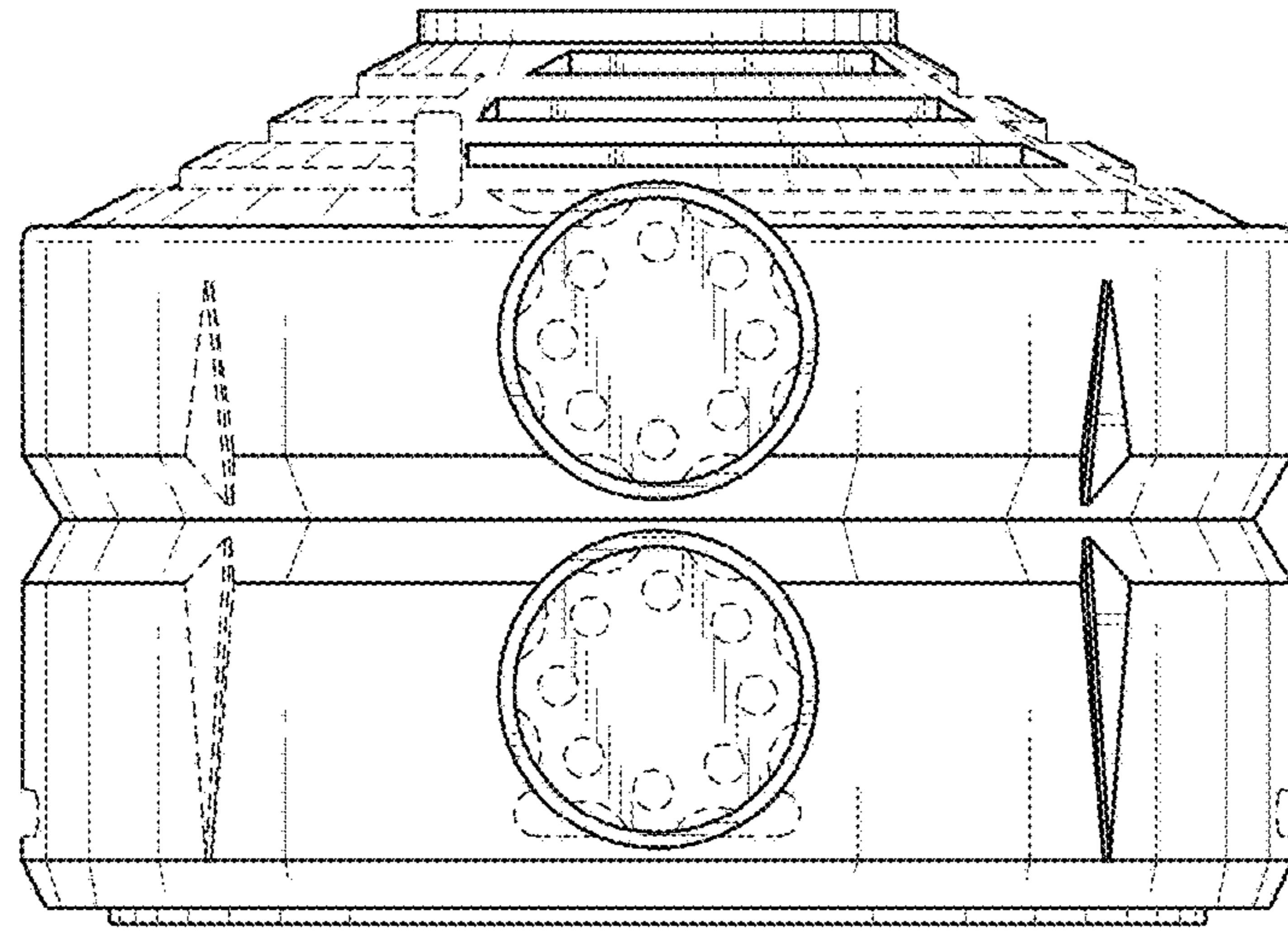


FIG. 26

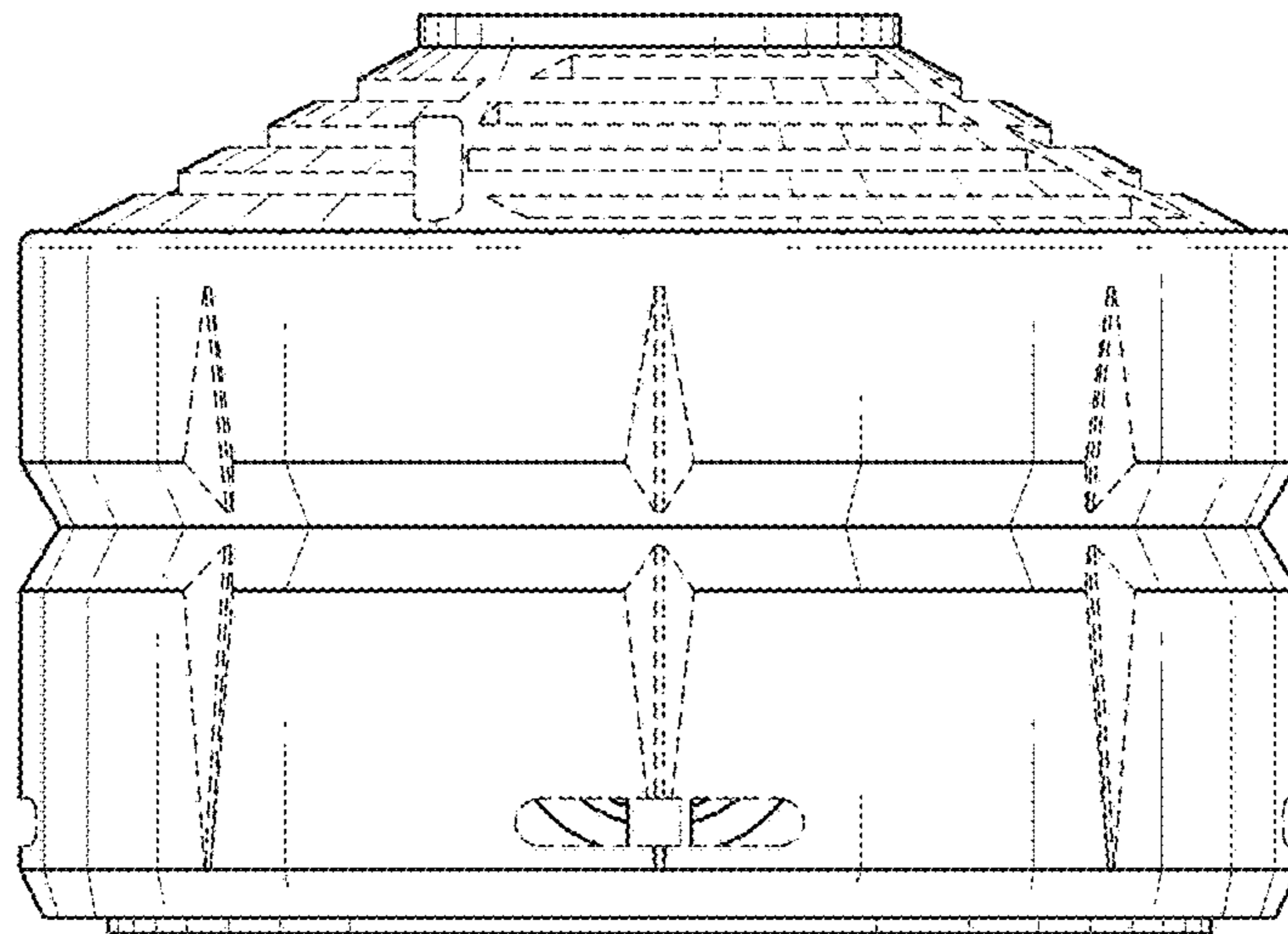


FIG. 27