



US00D861974S

(12) **United States Design Patent** (10) **Patent No.:** **US D861,974 S**  
**Zhao** (45) **Date of Patent:** **\*\* Oct. 1, 2019**

(54) **ARC LIGHTER**

(71) Applicant: **NINGBO YANGLING TECHNOLOGY CO., LTD**, Yuyao, Zhejiang (CN)

(72) Inventor: **Yongpeng Zhao**, Zhejiang (CN)

(73) Assignee: **NINGBO YANGLING TECHNOLOGY CO., LTD**, Yuyao (CN)

(\*\*) Term: **15 Years**

(21) Appl. No.: **29/634,177**

(22) Filed: **Jan. 18, 2018**

(51) **LOC (12) Cl.** ..... **27-05**

(52) **U.S. Cl.**  
USPC ..... **D27/154**

(58) **Field of Classification Search**  
USPC ..... D27/100, 101, 139–161, 162–194;  
D23/366; D7/416; D24/110; D19/101,  
D19/106, 115, 165, 195  
CPC ..... A24F 47/008; A24F 47/002; A24F 7/00;  
A24F 15/12; F23Q 2/164  
See application file for complete search history.

(56) **References Cited**

**U.S. PATENT DOCUMENTS**

D241,645 S *	9/1976	Lanzi .....	D7/416
D267,820 S *	2/1983	Tomita .....	D7/416
D293,603 S *	1/1988	Matsumaru .....	D7/416
D294,329 S *	2/1988	Matsumaru .....	D7/416
D295,598 S *	5/1988	Takase .....	D7/416
D365,726 S *	1/1996	Hsu .....	D7/416
D389,699 S *	1/1998	Hsu .....	D7/416
5,738,507 A *	4/1998	Mifune .....	F23D 14/28 126/25 B
D403,206 S *	12/1998	Hsu .....	D7/416
D406,010 S *	2/1999	Tubby .....	D7/416

D410,819 S *	6/1999	Hsu .....	D7/416
D421,876 S *	3/2000	Hsu .....	D7/416
D424,373 S *	5/2000	Aronson, II .....	D7/416
D425,369 S *	5/2000	Sung .....	D7/416
D428,766 S *	8/2000	Galimond .....	D7/416
D429,445 S *	8/2000	Sung .....	D7/416
D435,397 S *	12/2000	Sung .....	D7/416
D437,732 S *	2/2001	Chevalier .....	D7/416

(Continued)

**FOREIGN PATENT DOCUMENTS**

CN	304262781	*	8/2017
CN	304676387	*	8/2017

(Continued)

**OTHER PUBLICATIONS**

Candle Arc Lighters by Flux LightersCandle Arc Lighters by Flux Lighters. dated 2018. found online [Dec. 19, 2018] <https://www.fluxlighters.com/collections/candle-arc-plasma-lighters>.\*

(Continued)

*Primary Examiner* — Marissa J Cash

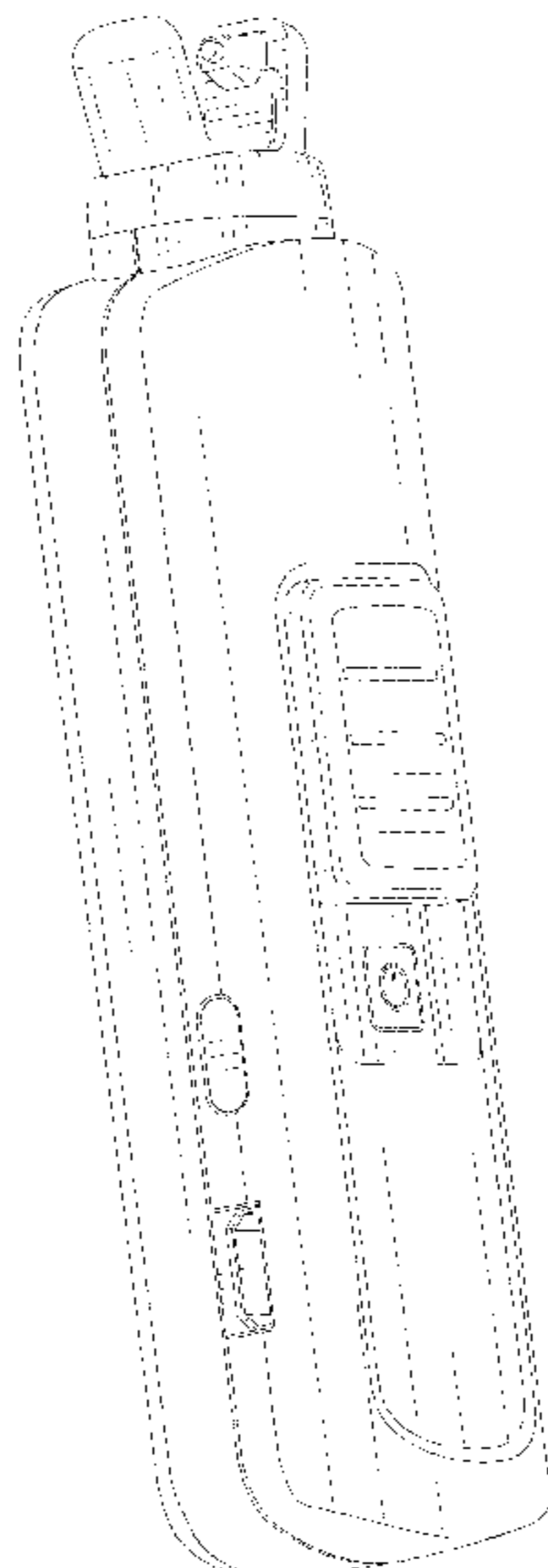
(57) **CLAIM**

The ornamental design for an arc lighter, as shown and described.

**DESCRIPTION**

FIG. 1 is a front elevational view of an arc lighter showing my new design;  
FIG. 2 is a rear elevational view thereof;  
FIG. 3 is a left side view thereof;  
FIG. 4 is a right side view thereof;  
FIG. 5 is a top plan view thereof;  
FIG. 6 is a bottom plan view thereof;  
FIG. 7 is a bottom, front and left side perspective view thereof; and,  
FIG. 8 is a top, rear and right side perspective view thereof.

**1 Claim, 7 Drawing Sheets**



(56)

References Cited

U.S. PATENT DOCUMENTS

D440,821 S \* 4/2001 Yu ..... D7/416  
 6,213,759 B1 \* 4/2001 Sung ..... F23Q 2/164  
 431/153  
 D442,433 S \* 5/2001 Tubby ..... D7/416  
 D444,998 S \* 7/2001 Inoue ..... D7/416  
 D450,534 S \* 11/2001 Wang ..... D7/416  
 D453,890 S \* 2/2002 Chevalier ..... D7/416  
 D458,512 S \* 6/2002 Dijkstra ..... D7/416  
 D462,574 S \* 9/2002 Chen ..... D7/416  
 D466,370 S \* 12/2002 Kim ..... D7/416  
 D467,120 S \* 12/2002 Yu ..... D7/416  
 D468,586 S \* 1/2003 Saito ..... D7/416  
 D469,305 S \* 1/2003 Saito ..... D7/416  
 D471,315 S \* 3/2003 Kwok ..... D27/154  
 D472,765 S \* 4/2003 Deffner ..... D27/147  
 D473,103 S \* 4/2003 Sung ..... D7/416  
 D477,748 S \* 7/2003 Deffner ..... D7/416  
 D480,266 S \* 10/2003 Kim ..... D7/416  
 D482,932 S \* 12/2003 Sher ..... D7/416  
 D488,671 S \* 4/2004 Hsu ..... D7/416  
 D491,766 S \* 6/2004 Hsu ..... D7/416  
 D493,666 S \* 8/2004 Haffner ..... D7/416  
 D494,415 S \* 8/2004 Sung ..... D7/416  
 D494,416 S \* 8/2004 Sung ..... D7/416  
 D497,285 S \* 10/2004 Qi ..... D7/416  
 6,887,072 B2 \* 5/2005 Judeng ..... F23Q 2/164  
 126/406  
 D509,620 S \* 9/2005 Kwok ..... D27/149  
 D510,841 S \* 10/2005 Hsu ..... D7/416  
 D515,734 S \* 2/2006 Xu ..... D27/149  
 7,001,175 B2 \* 2/2006 Yang ..... F23Q 2/164  
 431/153  
 D537,557 S \* 2/2007 Lin ..... D27/147  
 D538,968 S \* 3/2007 Lin ..... D27/147  
 D554,430 S \* 11/2007 Yang ..... D7/416  
 D564,839 S \* 3/2008 Wang ..... D7/416  
 D565,899 S \* 4/2008 Wang ..... D7/416  
 D569,687 S \* 5/2008 Darnell ..... D7/416  
 D570,039 S \* 5/2008 Huang ..... D27/147  
 7,563,094 B2 \* 7/2009 Yang ..... F23Q 2/167  
 431/153  
 D618,058 S \* 6/2010 Tao ..... D7/416  
 D618,507 S \* 6/2010 Galimand ..... D7/416  
 D665,226 S \* 8/2012 Luo ..... D7/416  
 D665,626 S \* 8/2012 Luo ..... D7/416  
 D729,006 S \* 5/2015 Hu ..... D7/416  
 D729,574 S \* 5/2015 Hu ..... D7/416  
 D729,575 S \* 5/2015 Hu ..... D7/416  
 D759,298 S \* 6/2016 Ichikawa ..... D27/141  
 D784,610 S \* 4/2017 Bosch ..... D27/101  
 D814,864 S \* 4/2018 Austin, III ..... D7/416  
 D835,336 S \* 12/2018 Luo ..... D27/154  
 2002/0094500 A1 \* 7/2002 Tse ..... F23Q 2/16  
 431/153  
 2003/0124476 A1 \* 7/2003 Chung Yang ..... F23Q 2/164  
 431/153

2006/0121401 A1 \* 6/2006 Angevine ..... F23Q 2/16  
 431/344  
 2007/0009843 A1 \* 1/2007 Di Paolo ..... F23Q 2/164  
 431/153  
 2008/0213712 A1 \* 9/2008 Huang ..... F23Q 2/164  
 431/153

FOREIGN PATENT DOCUMENTS

CN 304515319 \* 9/2017  
 CN 304741018 \* 1/2018  
 CN 304745725 \* 1/2018  
 EM 004359982-0001 \* 9/2017  
 EM 004359982-0002 \* 9/2017  
 EM 004359982-0003 \* 9/2017  
 EM 00043599882-0004 \* 9/2017  
 EM 004672822-0001 \* 1/2018  
 EM 004672822-0003 \* 1/2018

OTHER PUBLICATIONS

Edison Candle Arc Lighter by Edison Arc. on amazon.oldest review dated Aug. 29, 2016. found online [Dec. 19, 2018] [https://www.amazon.com/Edison-Candle-Arc-Lighter-silver/product-reviews/B011QLLBD4/ref=cm\\_cr\\_getr\\_d\\_paging\\_btm\\_3?ie=UTF8&reviewerType=all\\_reviews&sortBy=recent&pageNumber=3](https://www.amazon.com/Edison-Candle-Arc-Lighter-silver/product-reviews/B011QLLBD4/ref=cm_cr_getr_d_paging_btm_3?ie=UTF8&reviewerType=all_reviews&sortBy=recent&pageNumber=3).  
 Electric Arc Lighter by Best Reviews. dated 2018. found online [Dec. 19, 2018] <https://shop.bestreviews.com/products/electric-arc-lightergfeu-windproof-usb-rechargeable-flameless-plasma-beam-lighter-with-360-flexible-long-neck-and-safety-switch-candle-li?cid=277776167&aid=1208363384103937&eid=&tid=pla-457912233298118>.  
 Electric Double Arc Lighter by Trofoty. dated May 9, 2018. found online [Dec. 19, 2018] <http://whataboutthepot.com/product/electric-double-arc-lighter-trofoty-usb-rechargeable-candle-lighter-windproof-flameless-spark-cigarette-lighter-with-360flexible-neck-tube-safety-for-home-kitchen-bbq-camping-stove-grill/>.  
 Hot Best Quality Arc Spark Electronic Plasma USB Rechargeable lighter YL-A00 by alibaba. dated 2018. found online [Dec. 19, 2018] [https://yanglinglighter.en.alibaba.com/product/60799448634-805238185/Hot\\_Best\\_Quality\\_Arc\\_Spark\\_Electronic\\_Plasma\\_USB\\_Rechargeable\\_lighter\\_YL\\_A002.html?spm=a2700.icbuShop.82.7.60cb62dcJ4wm](https://yanglinglighter.en.alibaba.com/product/60799448634-805238185/Hot_Best_Quality_Arc_Spark_Electronic_Plasma_USB_Rechargeable_lighter_YL_A002.html?spm=a2700.icbuShop.82.7.60cb62dcJ4wm).  
 2018 hot selling Electric Rechargeable Flameless Arc USB Lighter by alibaba. dated 2018. found online [Dec. 19, 2018] [https://yanglinglighter.en.alibaba.com/product/60803485236-807460740/2018\\_hot\\_selling\\_Electric\\_Rechargeable\\_Flameless\\_Arc\\_USB\\_Lighter.html?spm=a2700.icbuShop.82.9.60cb62dcJ4wmZn](https://yanglinglighter.en.alibaba.com/product/60803485236-807460740/2018_hot_selling_Electric_Rechargeable_Flameless_Arc_USB_Lighter.html?spm=a2700.icbuShop.82.9.60cb62dcJ4wmZn).  
 2018 Wholesale mini USB rechargeable cigarette Arc Lighter by alibaba. dated 2018. found online [Dec. 19, 2018] [https://yanglinglighter.en.alibaba.com/product/60805950061-807460741/2018\\_Wholesale\\_mini\\_USB\\_rechargeable\\_cigarette\\_ARC\\_LIGHTER.html?spm=a2700.icbuShop.82.4.60cb62dcJ4wmZn](https://yanglinglighter.en.alibaba.com/product/60805950061-807460741/2018_Wholesale_mini_USB_rechargeable_cigarette_ARC_LIGHTER.html?spm=a2700.icbuShop.82.4.60cb62dcJ4wmZn).

\* cited by examiner

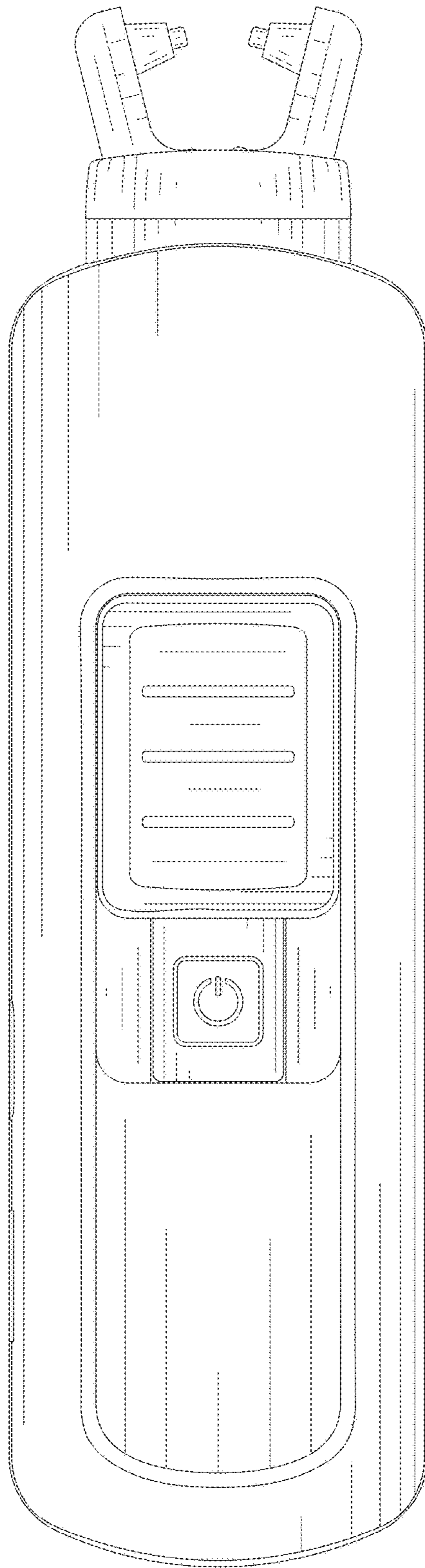


FIG.1

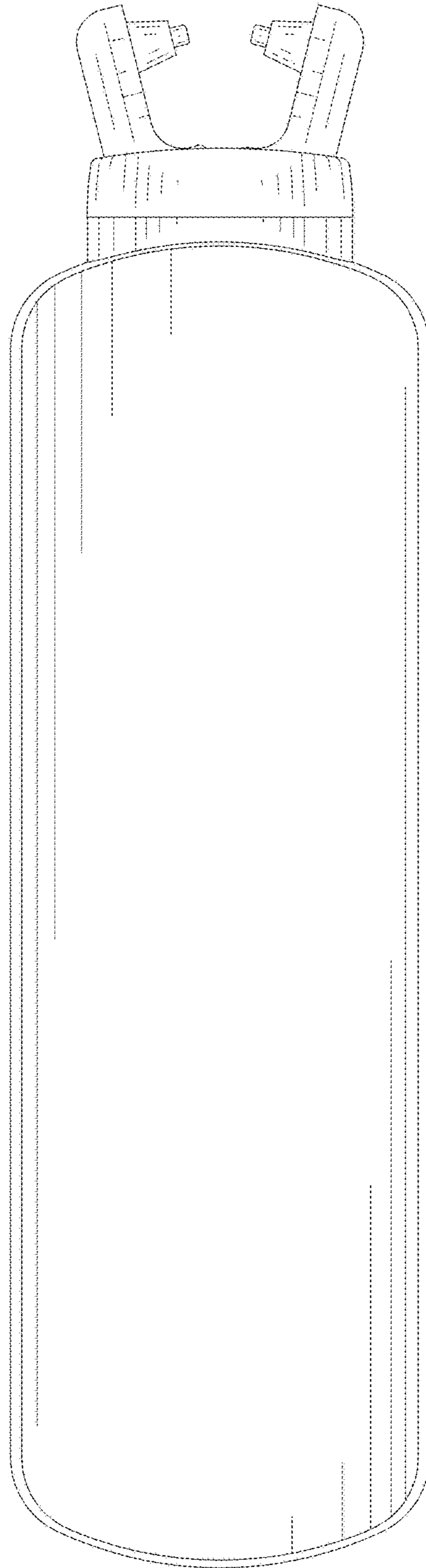


FIG. 2

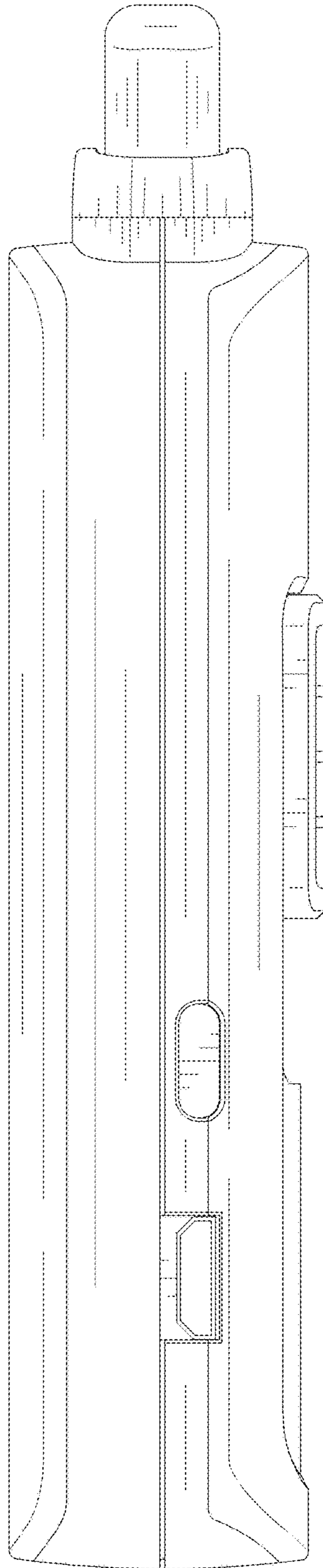


FIG. 3

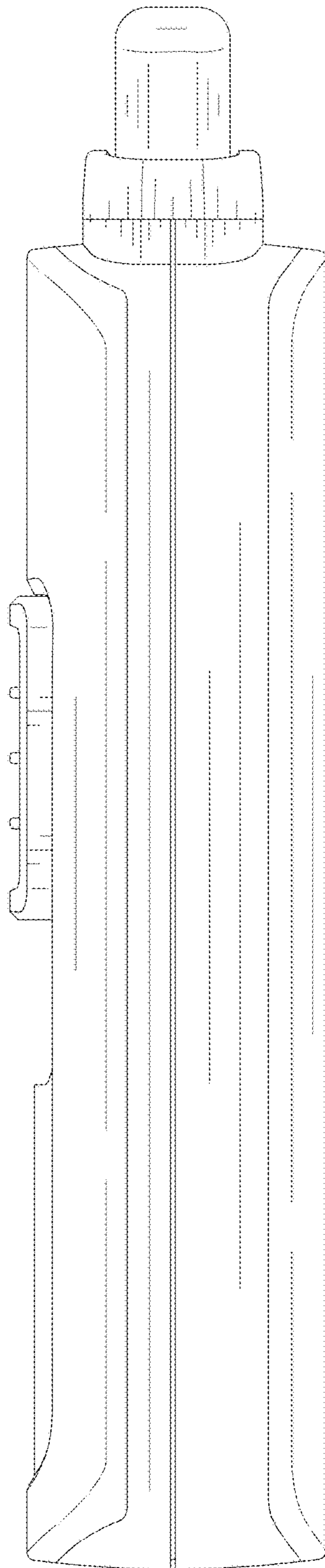


FIG. 4

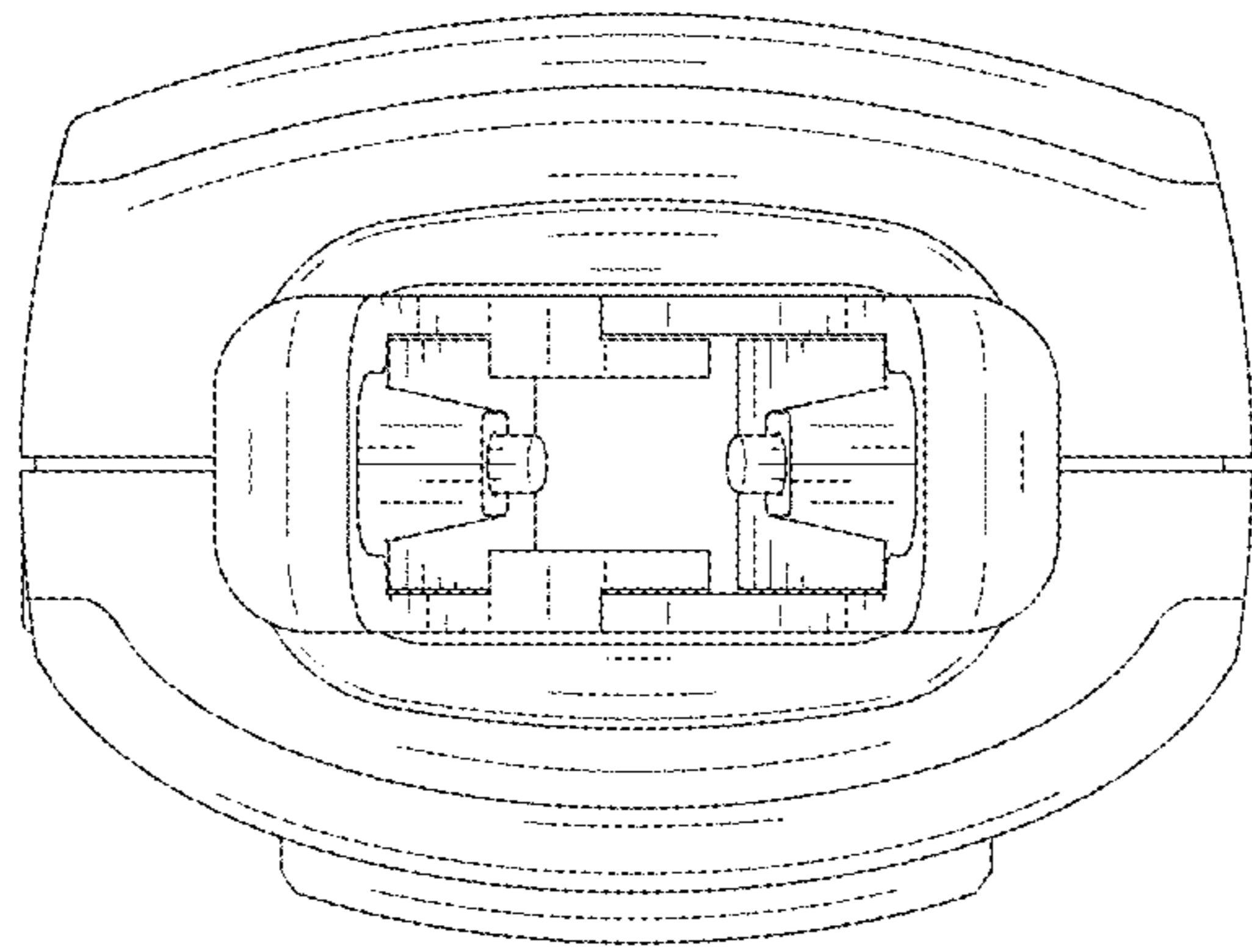


FIG. 5

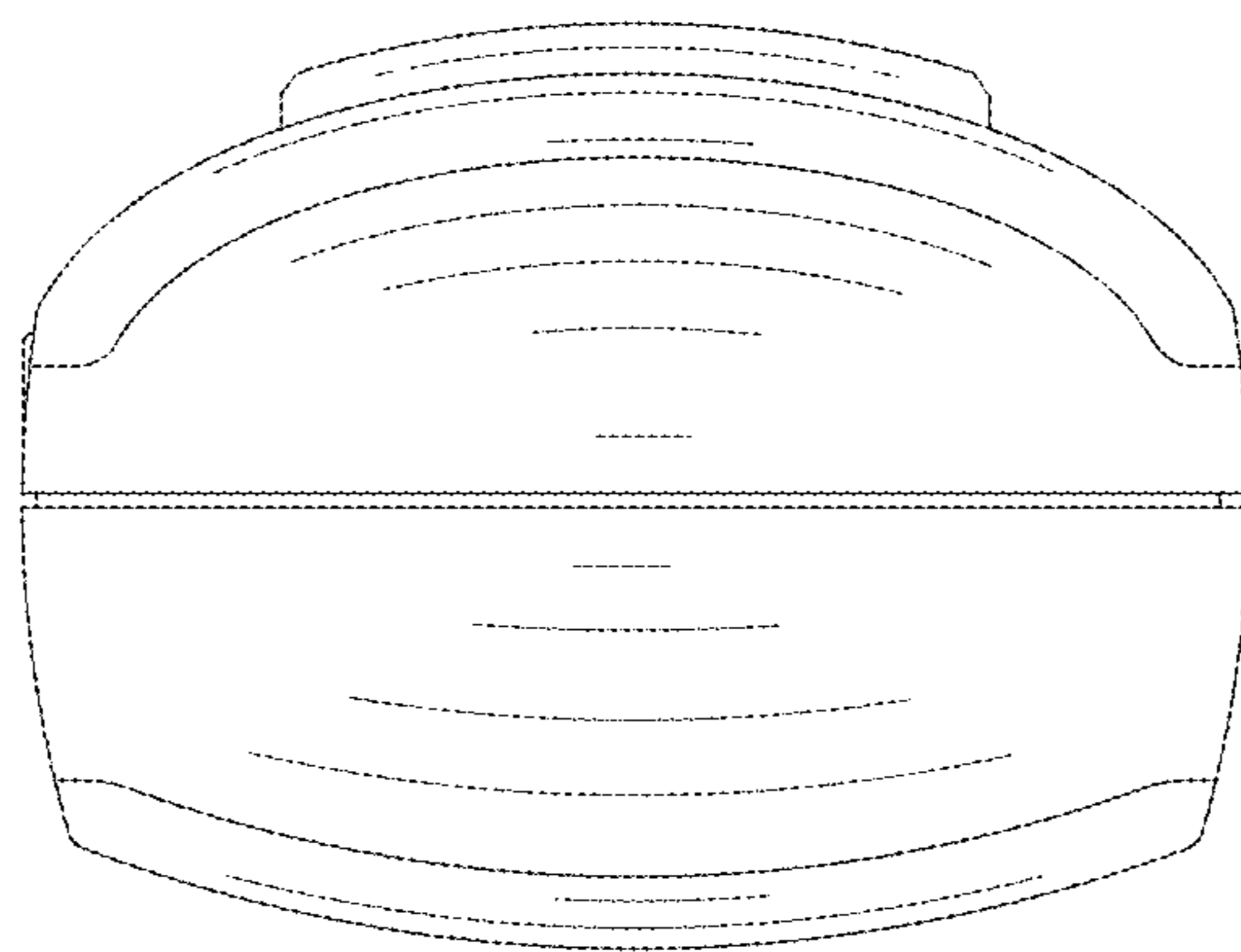


FIG. 6

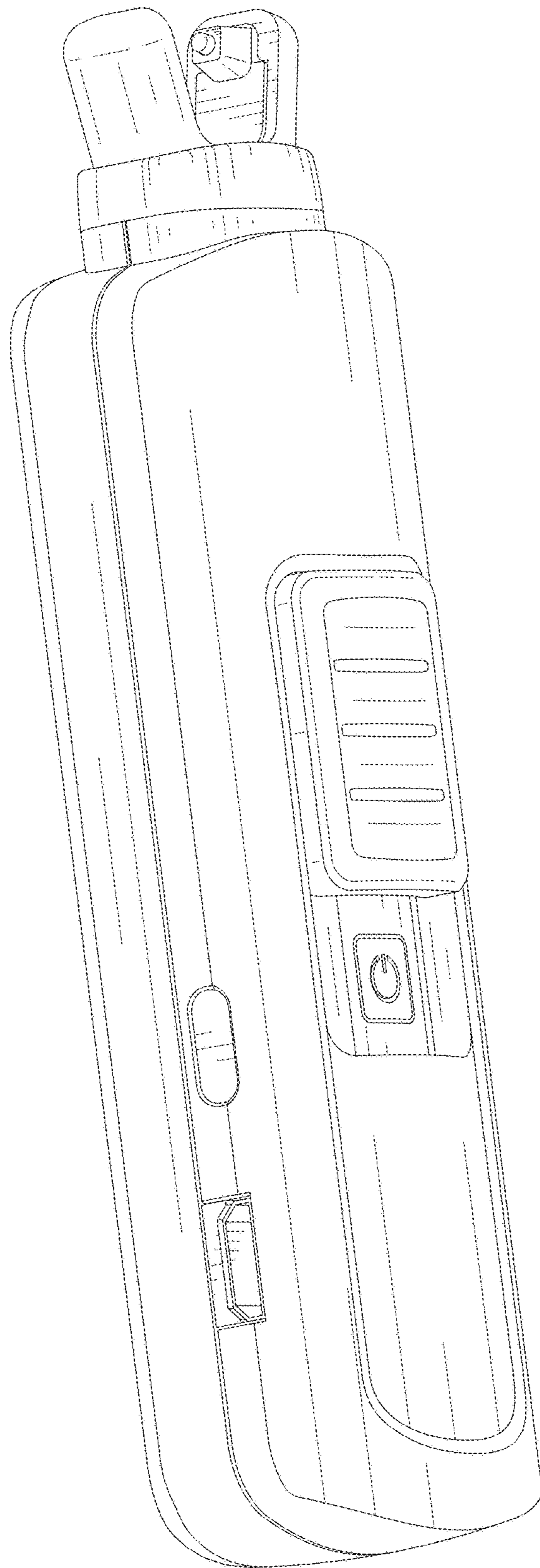


FIG. 7



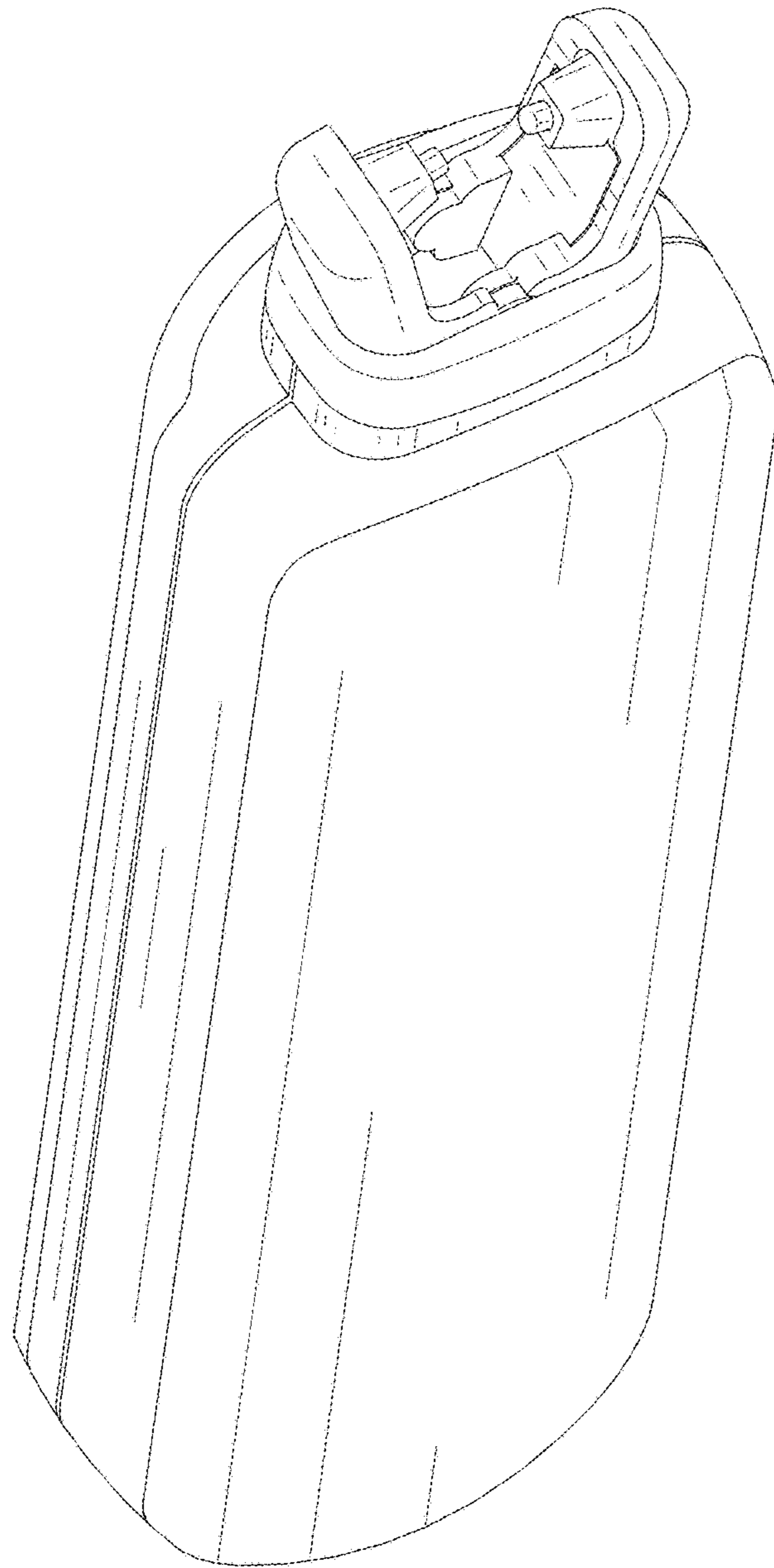


FIG. 8