



US00D861972S

(12) **United States Design Patent** (10) **Patent No.:** **US D861,972 S**  
**Solow** (45) **Date of Patent:** **\*\* Oct. 1, 2019**

(54) **LENS COVER**

D676,599 S \* 2/2013 Davidson ..... D26/139

(71) Applicant: **WOLO MFG. CORP.**, Deer Park, NY (US)

\* cited by examiner

(72) Inventor: **Stanley Solow**, Plainview, NY (US)

*Primary Examiner* — Marcus A Jackson

(73) Assignee: **WOLO MFG. CORP.**, Deer Park, NY (US)

(74) *Attorney, Agent, or Firm* — Andrew F. Young, Esq.; Lackenbach Siegel, LLP

(\*\*) Term: **15 Years**

(57) **CLAIM**

The ornamental design for a lens cover, as shown and described.

(21) Appl. No.: **29/672,074**

**DESCRIPTION**

(22) Filed: **Dec. 3, 2018**

FIG. 1 is front top perspective view of a lens cover showing my new design.

**Related U.S. Application Data**

(62) Division of application No. 29/622,420, filed on Oct. 17, 2017, now Pat. No. Des. 840,093.

FIG. 2 is a bottom rear perspective view thereof at a first angle.

(51) **LOC (12) Cl.** ..... **26-99**

FIG. 3 is a bottom rear perspective view thereof at a second angle.

(52) **U.S. Cl.**  
USPC ..... **D26/139**

FIG. 4 is a left side elevation view thereof.

(58) **Field of Classification Search**

USPC ..... D26/28-36, 139

FIG. 5 is a right side elevation view thereof.

CPC ..... F21S 48/00; F21S 48/10; F21S 48/115;

FIG. 6 is a front elevation view thereof.

F21S 48/225; F21S 48/1233; F21S

FIG. 7 is a rear elevation view thereof.

48/1266; F21S 48/1388; F21S 48/2268;

FIG. 8 is a bottom plan view thereof.

F21V 21/04; F21K 9/00; F21K 29/004;

FIG. 9 is a top plan view thereof.

B60Q 9/13; B60Q 9/135; B60Q 9/1375

FIG. 10 is a first sectional view thereof along Section 10-10 in FIG. 8.

See application file for complete search history.

FIG. 11 is a second sectional view thereof along Section 11-11 in FIG. 8; and,

(56) **References Cited**

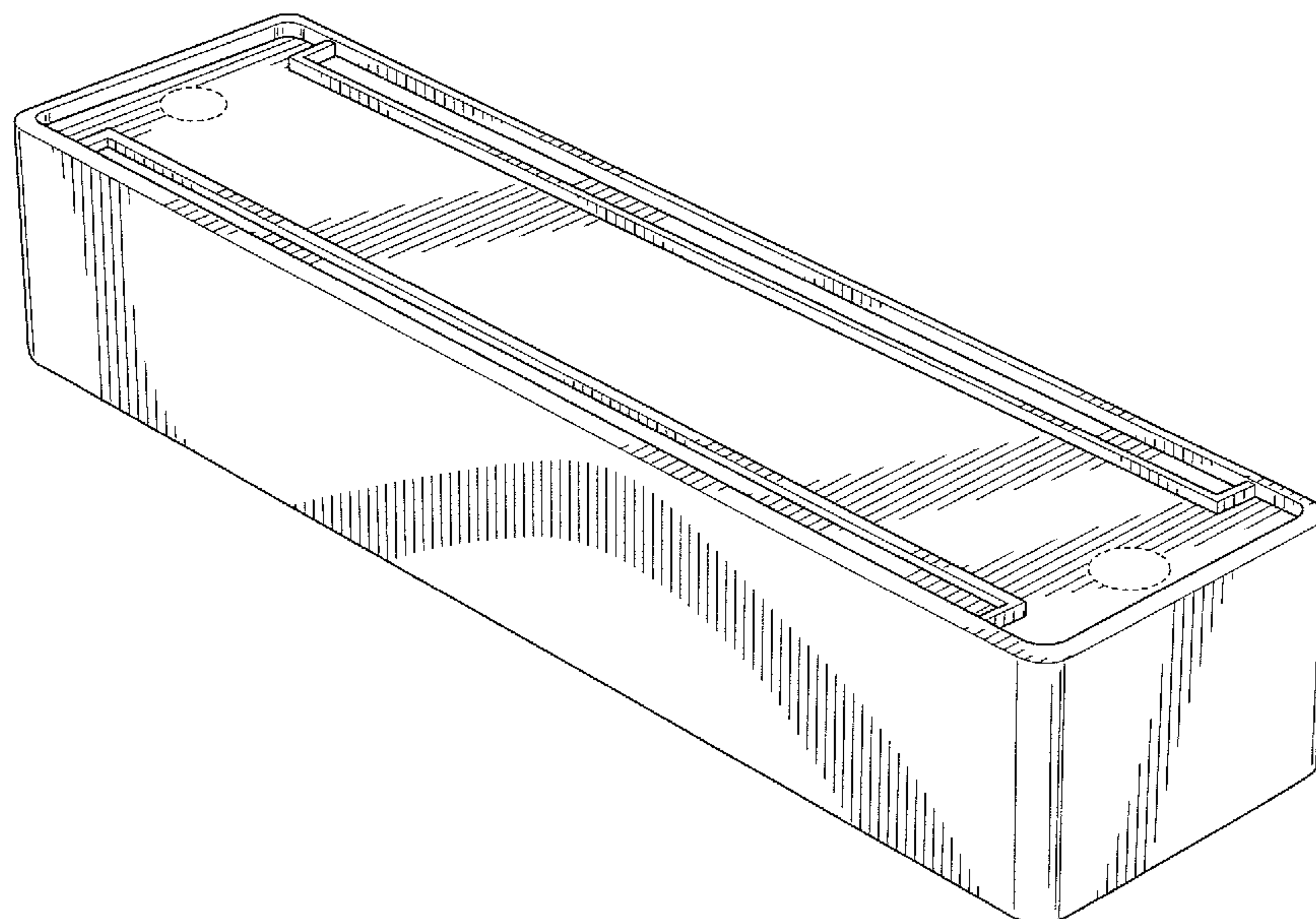
FIG. 12 is a perspective sectional view along Section 12-12 in FIG. 2.

**U.S. PATENT DOCUMENTS**

No claim is made to portions which are not shown. No claim is made to the internal materials shown in cross-section lining.

D425,240 S \* 5/2000 Goeckeritz ..... D26/139

**1 Claim, 8 Drawing Sheets**



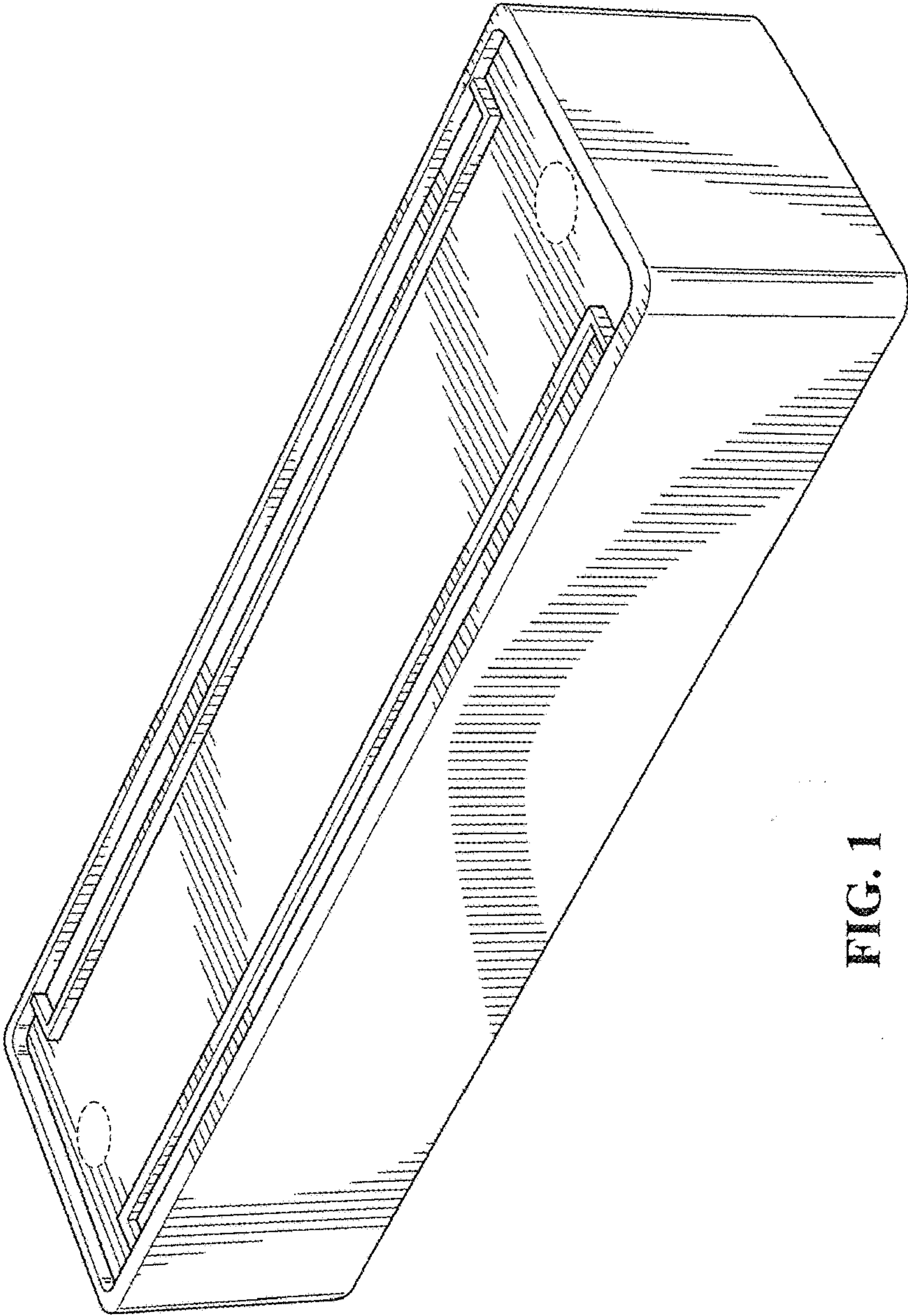


FIG. 1

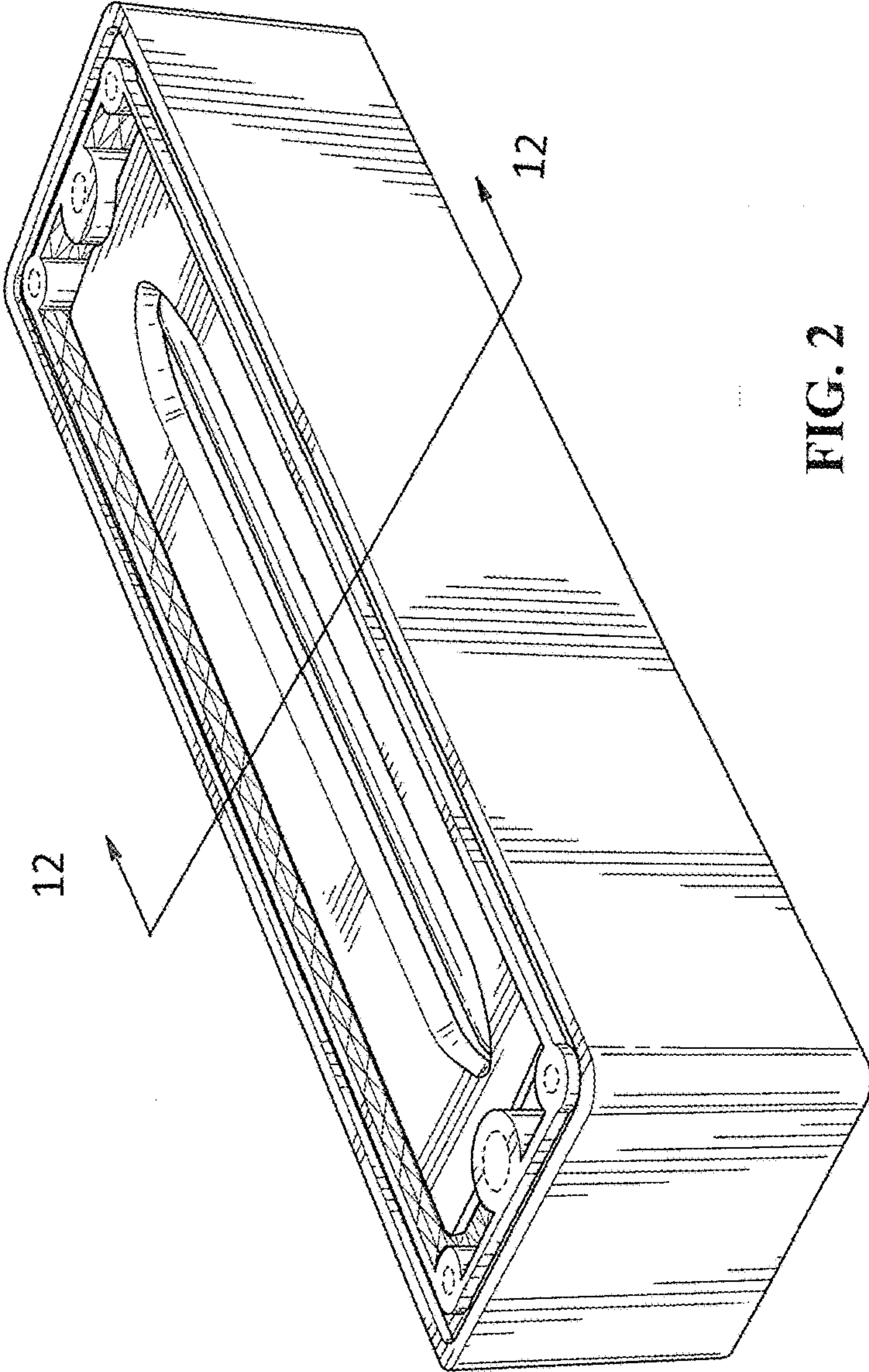


FIG. 2



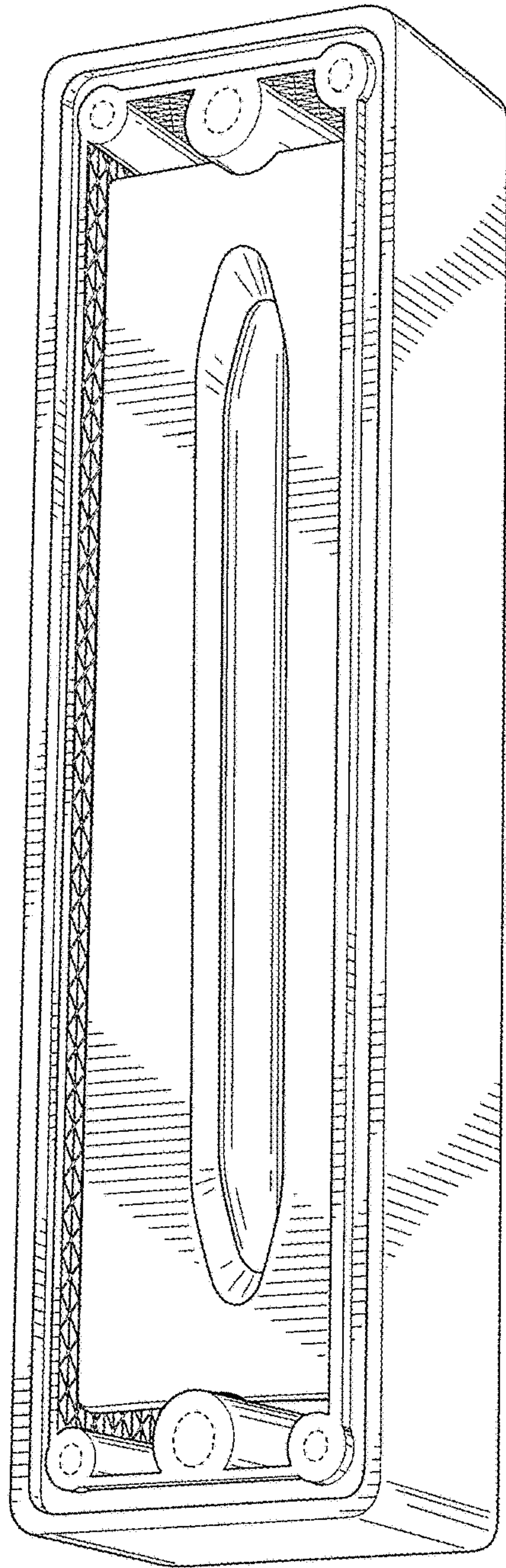


FIG. 3

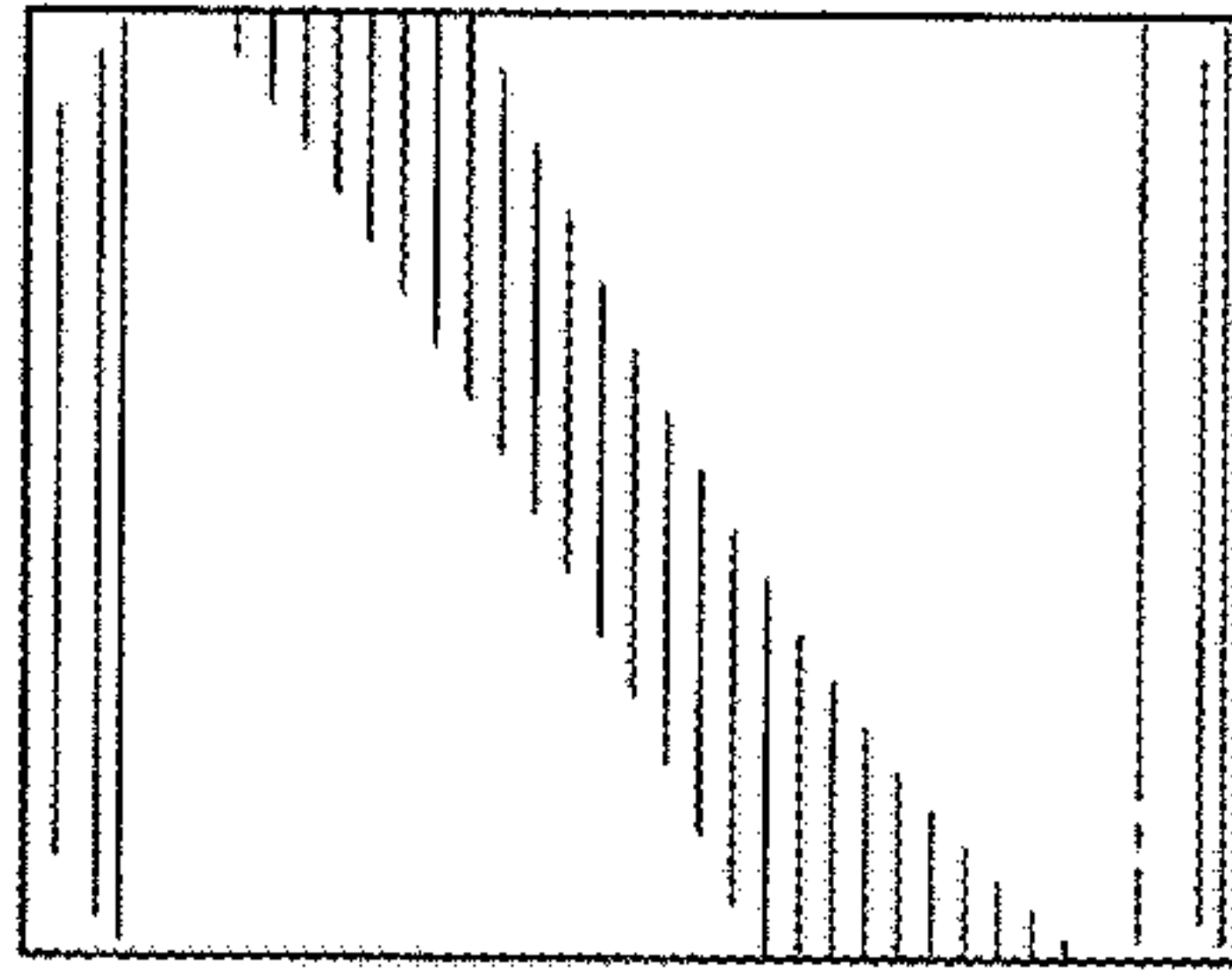


FIG. 4

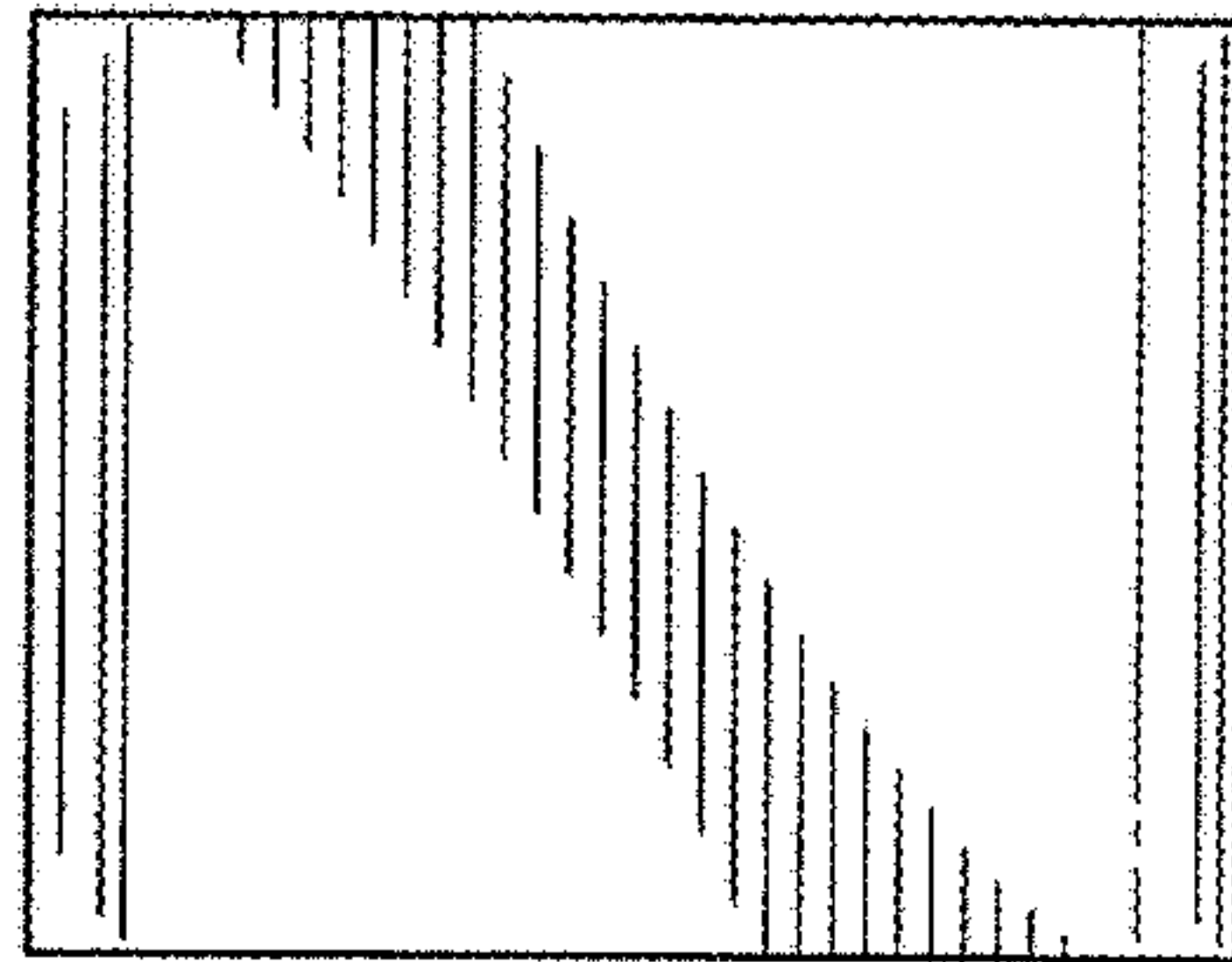


FIG. 5

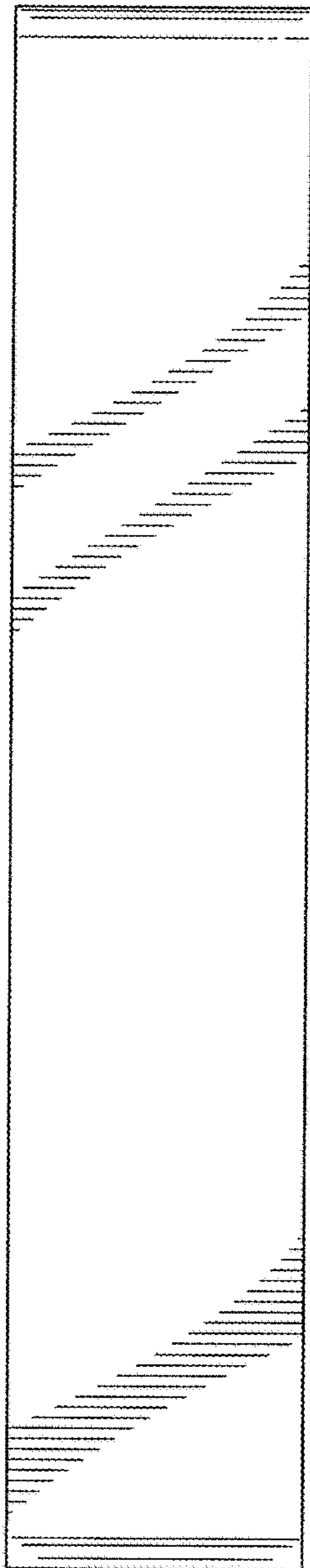


FIG. 6

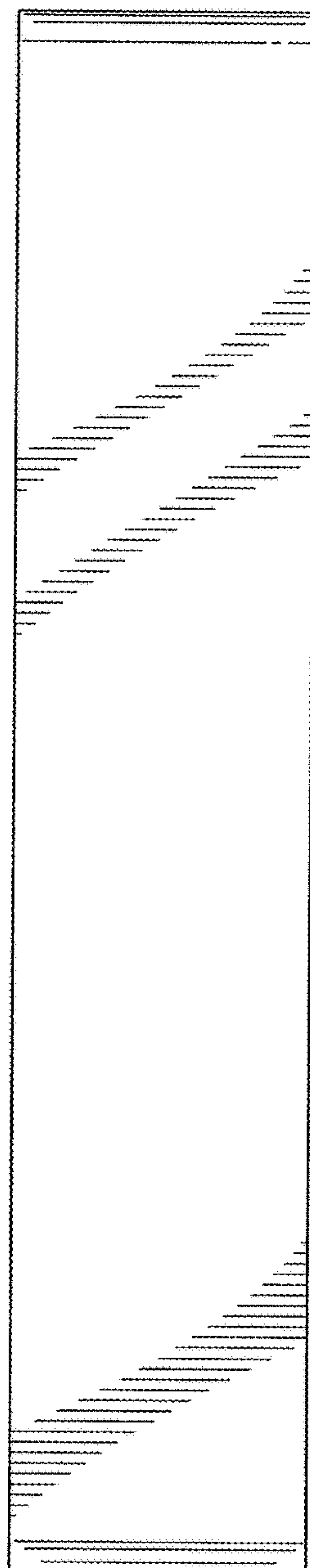


FIG. 7

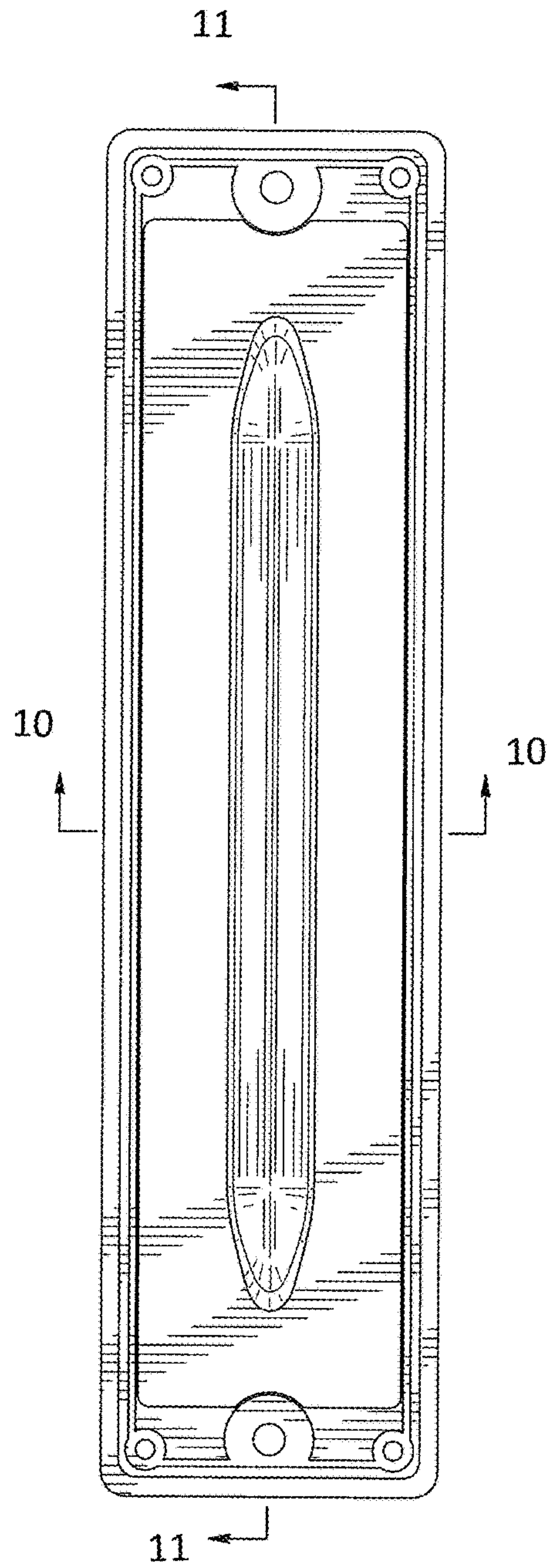


FIG. 8

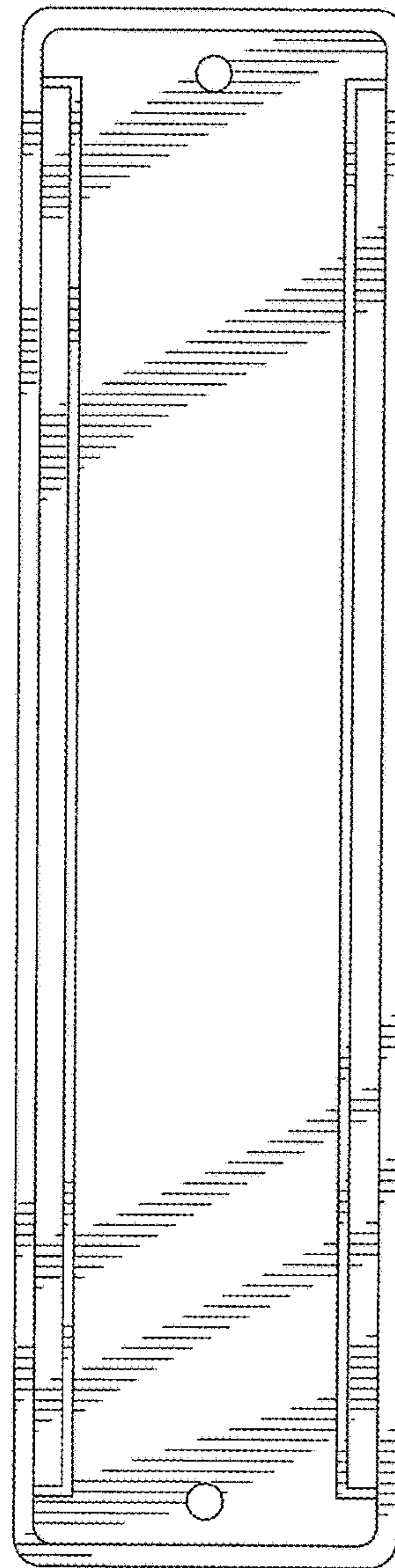


FIG. 9



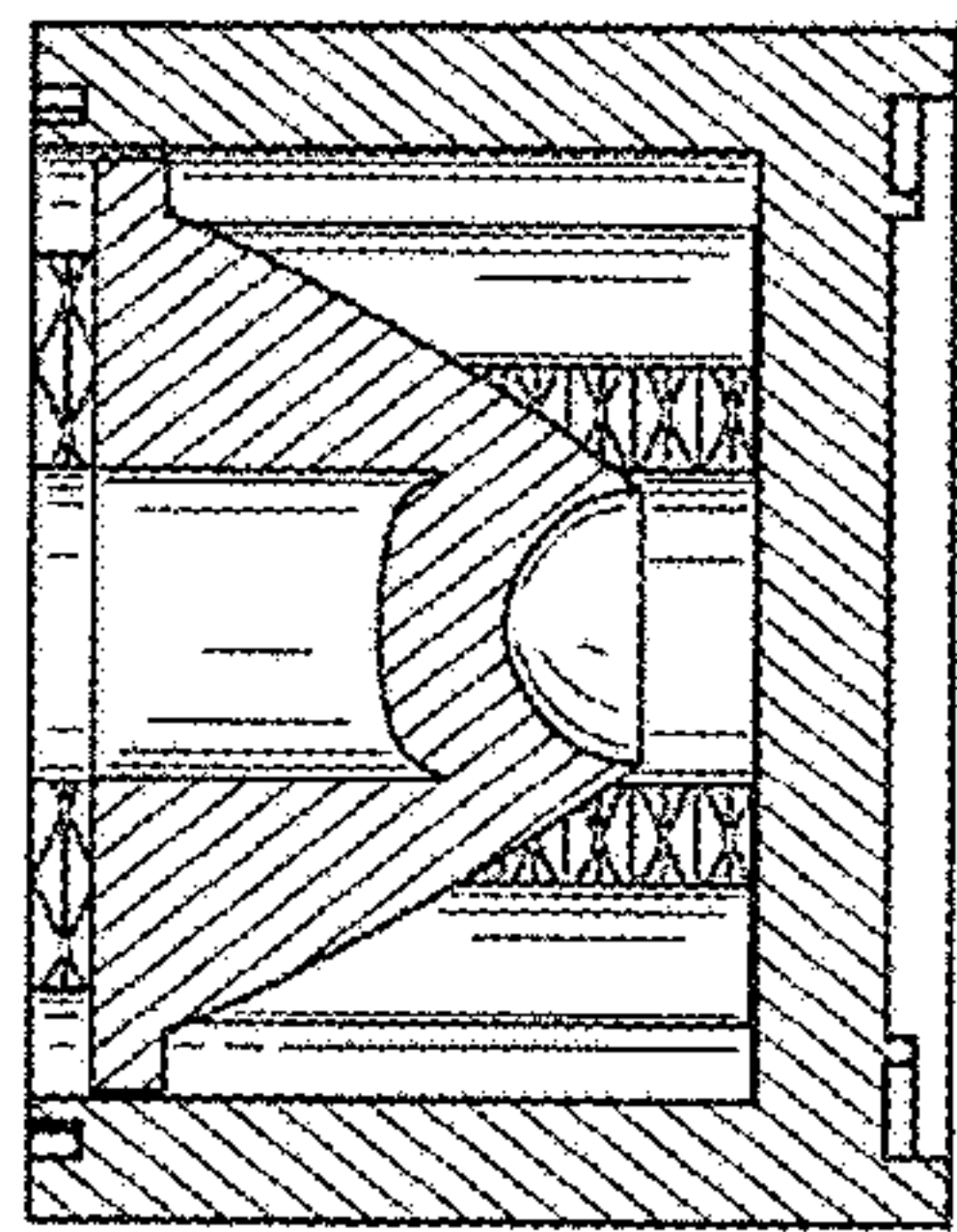


FIG. 10

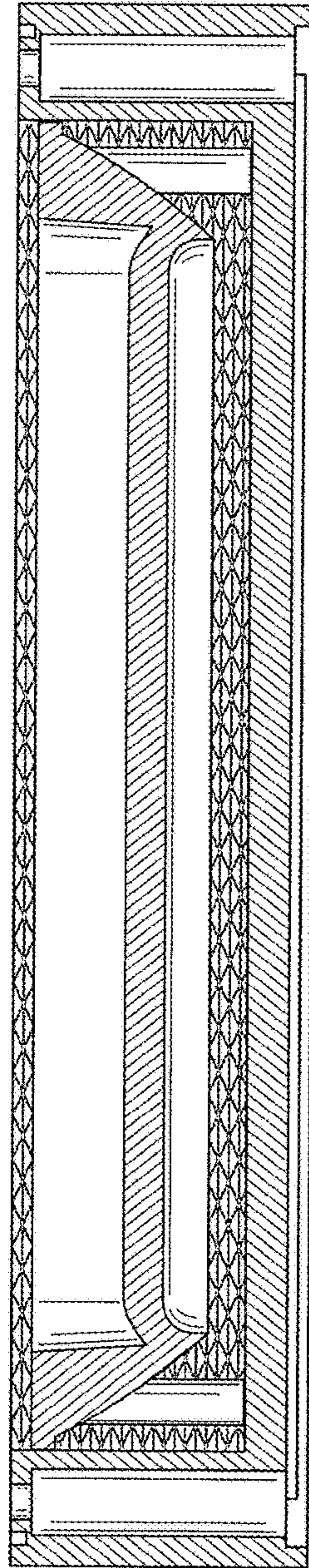


FIG. 11



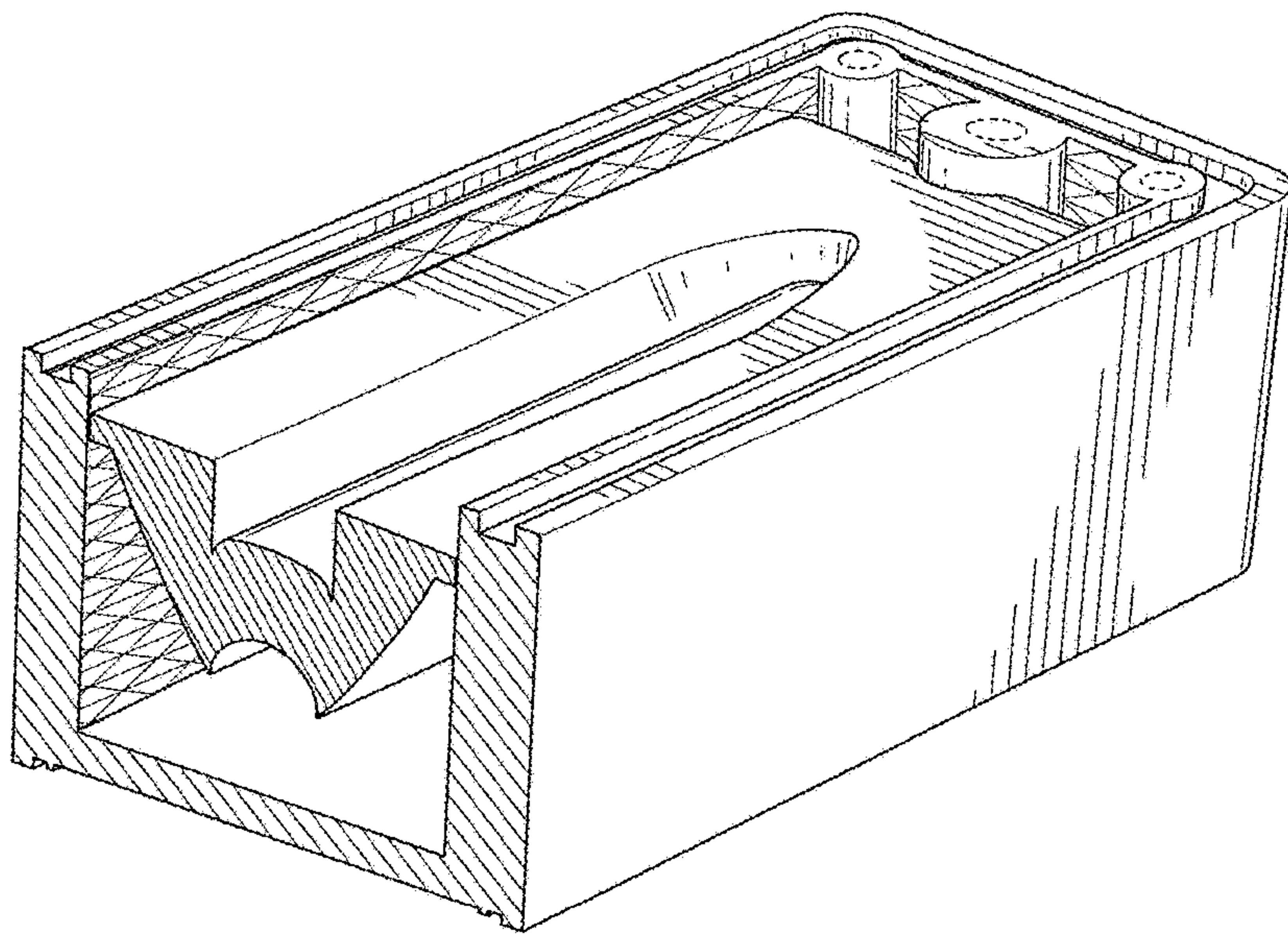


FIG. 12