



US00D861971S

(12) **United States Design Patent**
Duckworth et al.

(10) **Patent No.:** **US D861,971 S**
(45) **Date of Patent:** **** Oct. 1, 2019**

(54) **LIGHTING FIXTURE**

- (71) Applicant: **Hubbell Incorporated**, Shelton, CT (US)
- (72) Inventors: **Jason Edward Duckworth**, Simpsonville, SC (US); **Jeff McClow**, Greer, SC (US); **Tomi Lin**, Irvine, CA (US); **Russell Weston**, Greer, SC (US)
- (73) Assignee: **Hubbell Incorporated**, Shelton, CT (US)
- (**) Term: **15 Years**
- (21) Appl. No.: **29/646,483**
- (22) Filed: **May 4, 2018**
- (51) **LOC (12) Cl.** **26-05**
- (52) **U.S. Cl.**
USPC **D26/120**
- (58) **Field of Classification Search**
USPC D26/1, 24, 60-67, 71, 72, 85, 93, 118, D26/119, 128; D10/114.2; D16/135, D16/136, 239, 241, 250

(Continued)

(56) **References Cited**

U.S. PATENT DOCUMENTS

- D272,656 S * 2/1984 Parker D26/24
- D473,667 S * 4/2003 Fromm D26/56

(Continued)

Primary Examiner — Wan Laymon
Assistant Examiner — Clint A Samuel
(74) *Attorney, Agent, or Firm* — Dority & Manning, P.A.

(57) **CLAIM**

The ornamental design for a lighting fixture, as shown and described.

DESCRIPTION

FIG. 1 is a perspective view of a lighting fixture according to an example embodiment of the design;

FIG. 2 is a top view of a lighting fixture according to an example embodiment of the design;
 FIG. 3 is a bottom view of a lighting fixture according to an example embodiment of the design;
 FIG. 4 is a front view of a lighting fixture according to an example embodiment of the design;
 FIG. 5 is a back view of a lighting fixture according to an example embodiment of the design;
 FIG. 6 is a side view of a lighting fixture according to an example embodiment of the design;
 FIG. 7 is another side view of a lighting fixture according to an example embodiment of the design;
 FIG. 8 is a perspective view of a lighting fixture according to an example embodiment of the design;
 FIG. 9 is a top view of a lighting fixture according to an example embodiment of the design;
 FIG. 10 is a bottom view of a lighting fixture according to an example embodiment of the design;
 FIG. 11 is a front view of a lighting fixture according to an example embodiment of the design;
 FIG. 12 is a back view of a lighting fixture according to an example embodiment of the design;
 FIG. 13 is a side view of a lighting fixture according to an example embodiment of the design;
 FIG. 14 is another side view of a lighting fixture according to an example embodiment of the design;
 FIG. 15 is a perspective view of a lighting fixture according to an example embodiment of the design;
 FIG. 16 is a top view of a lighting fixture according to an example embodiment of the design;
 FIG. 17 is a bottom view of a lighting fixture according to an example embodiment of the design;
 FIG. 18 is a front view of a lighting fixture according to an example embodiment of the design;
 FIG. 19 is a back view of a lighting fixture according to an example embodiment of the design;
 FIG. 20 is a side view of a lighting fixture according to an example embodiment of the design;
 FIG. 21 is another side view of a lighting fixture according to an example embodiment of the design;
 FIG. 22 is a perspective view of a lighting fixture according to an example embodiment of the design;

(Continued)

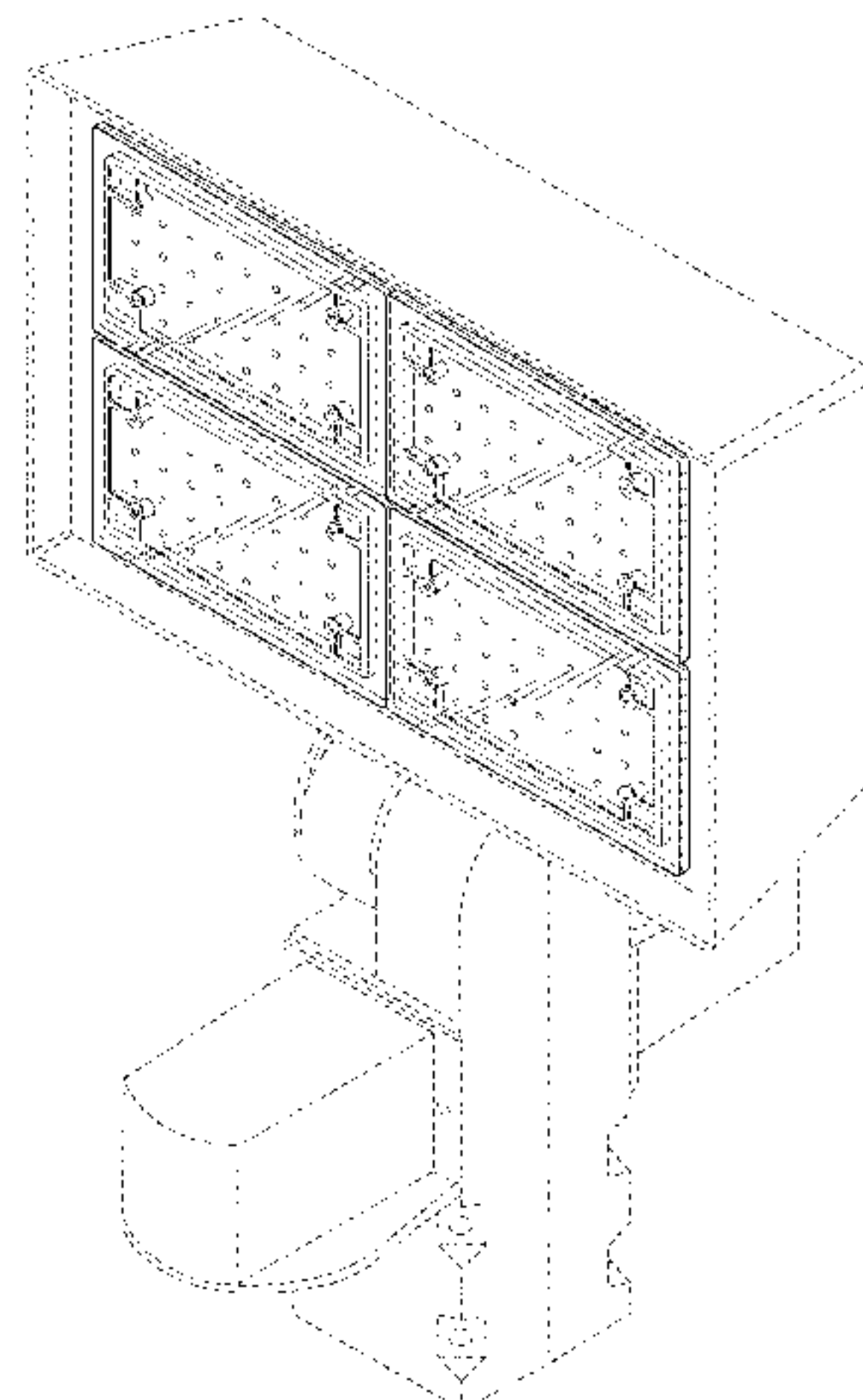


FIG. 23 is a top view of a lighting fixture according to an example embodiment of the design;
 FIG. 24 is a bottom view of a lighting fixture according to an example embodiment of the design;
 FIG. 25 is a front view of a lighting fixture according to an example embodiment of the design;
 FIG. 26 is a back view of a lighting fixture according to an example embodiment of the design;
 FIG. 27 is a side view of a lighting fixture according to an example embodiment of the design;
 FIG. 28 is another side view of a lighting fixture according to an example embodiment of the design;
 FIG. 29 is a perspective view of a lighting fixture according to an example embodiment of the design;
 FIG. 30 is a top view of a lighting fixture according to an example embodiment of the design;
 FIG. 31 is a bottom view of a lighting fixture according to an example embodiment of the design;
 FIG. 32 is a front view of a lighting fixture according to an example embodiment of the design;
 FIG. 33 is a back view of a lighting fixture according to an example embodiment of the design;
 FIG. 34 is a side view of a lighting fixture according to an example embodiment of the design; and,
 FIG. 35 is another side view of a lighting fixture according to an example embodiment of the design.
 The broken lines showing in the drawings are included for the purpose of illustrating environmental structure and form no part of the claimed design.

1 Claim, 35 Drawing Sheets

(58) **Field of Classification Search**

CPC F21L 4/00; F21L 4/02; F21L 4/04; F21L 14/00; F21L 14/02; F21V 5/00; F21V 5/007; F21V 5/008; F21V 7/00; F21V

7/0025; F21V 7/0083; F21V 11/06; F21V 15/01; F21V 15/012

See application file for complete search history.

(56)

References Cited

U.S. PATENT DOCUMENTS

D547,477	S	*	7/2007	Guercio	D26/63
D565,772	S	*	4/2008	Guercio	D26/63
D567,980	S	*	4/2008	Guercio	D26/63
D607,143	S	*	12/2009	Sugishita	D26/121
D615,240	S	*	5/2010	Sugishita	D26/121
D632,416	S	*	2/2011	Wright	D26/71
D645,594	S	*	9/2011	Grawe	D26/63
D650,109	S	*	12/2011	Maxik	D26/63
D668,808	S	*	10/2012	Hoover	D26/60
D723,727	S	*	3/2015	Moeller	D26/63
D759,291	S	*	6/2016	Chen	D26/120
9,618,187	B2	*	4/2017	Thomas	F21V 15/01
D788,966	S	*	6/2017	Gan	D26/63
D789,582	S	*	6/2017	Peard	D26/61
9,759,407	B2	*	9/2017	Yang	F21V 14/02
D819,859	S	*	6/2018	Zou	D26/71
D822,261	S	*	7/2018	Demuyneck	D26/92
D827,173	S	*	8/2018	Van Berkel	D26/63
D836,230	S	*	12/2018	Guercio	D26/63
D841,223	S	*	2/2019	Duckworth	D26/92
D843,022	S	*	3/2019	Li	D26/24
D848,654	S	*	5/2019	Zhu	D26/63
2013/0188352	A1	*	7/2013	Boyer	F21S 8/02 362/235
2014/0029260	A1	*	1/2014	Liu	F21V 21/00 362/249.02
2014/0240844	A1	*	8/2014	Scherrer	G02B 3/00 359/642
2016/0003464	A1	*	1/2016	Thomas	F21V 15/01 362/244
2016/0077243	A1	*	3/2016	Ohta	G02B 3/0068 362/311.02
2019/0063723	A1	*	2/2019	Yamada	F21V 7/0083

* cited by examiner

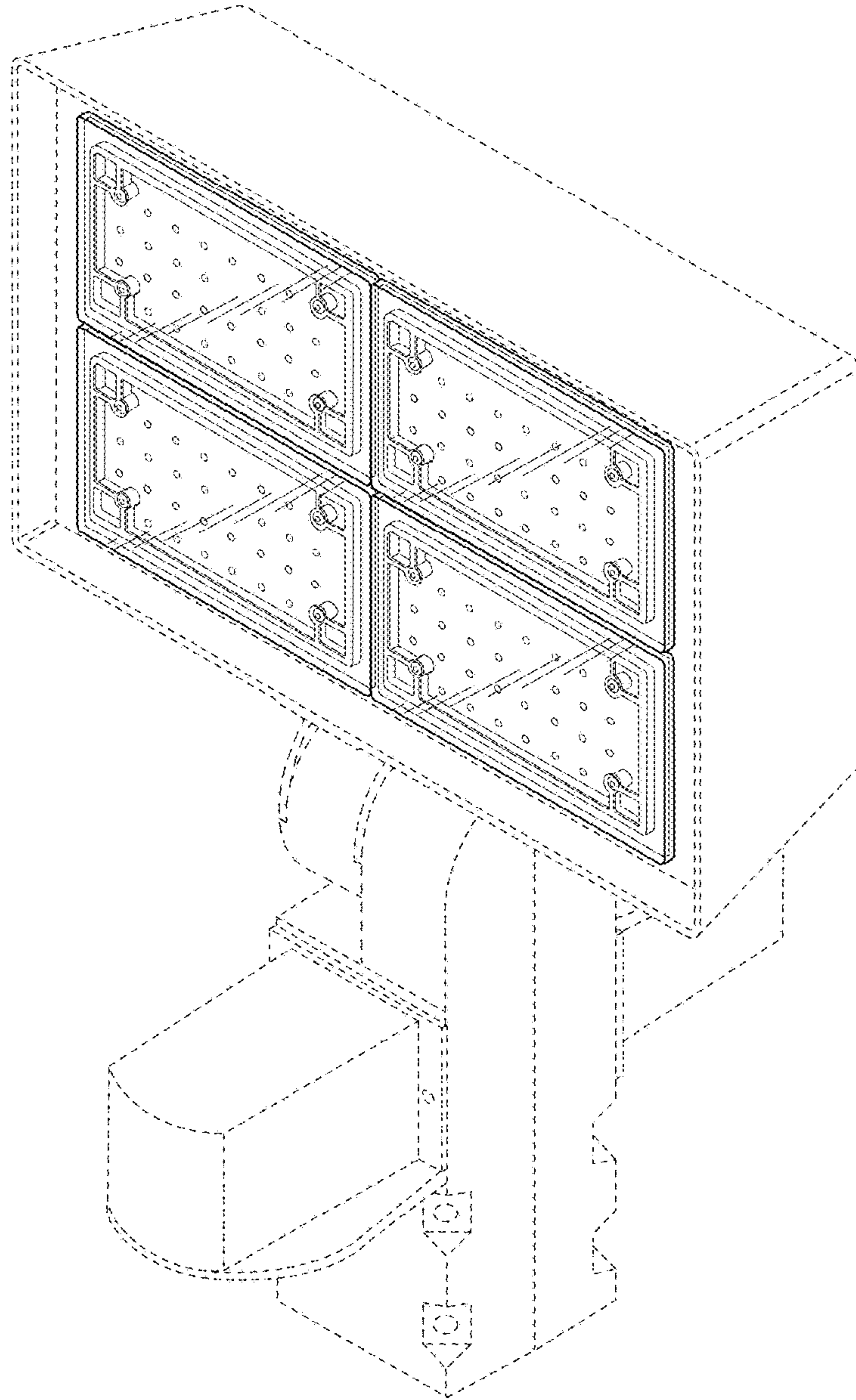


FIG. 1

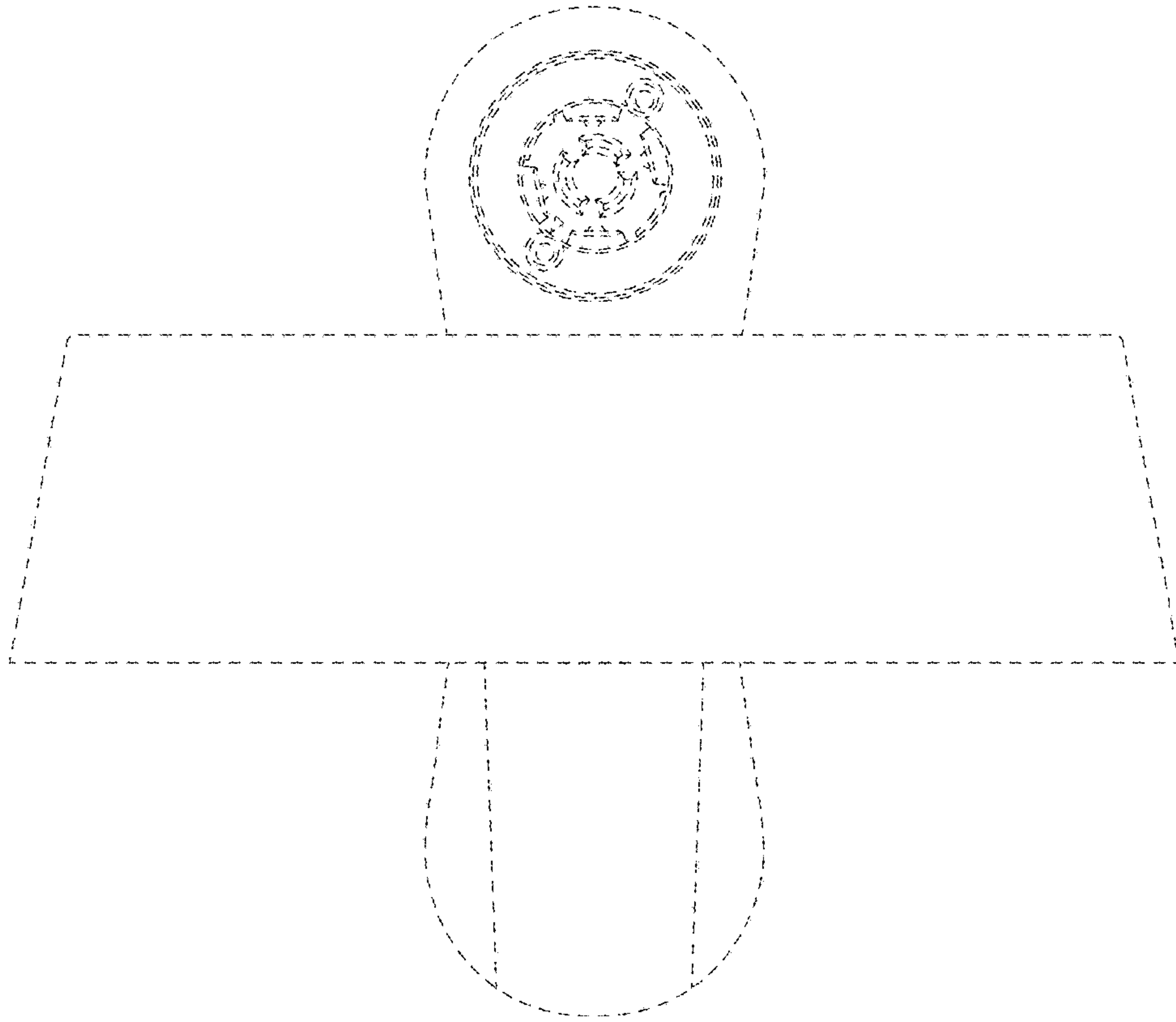


FIG. 2

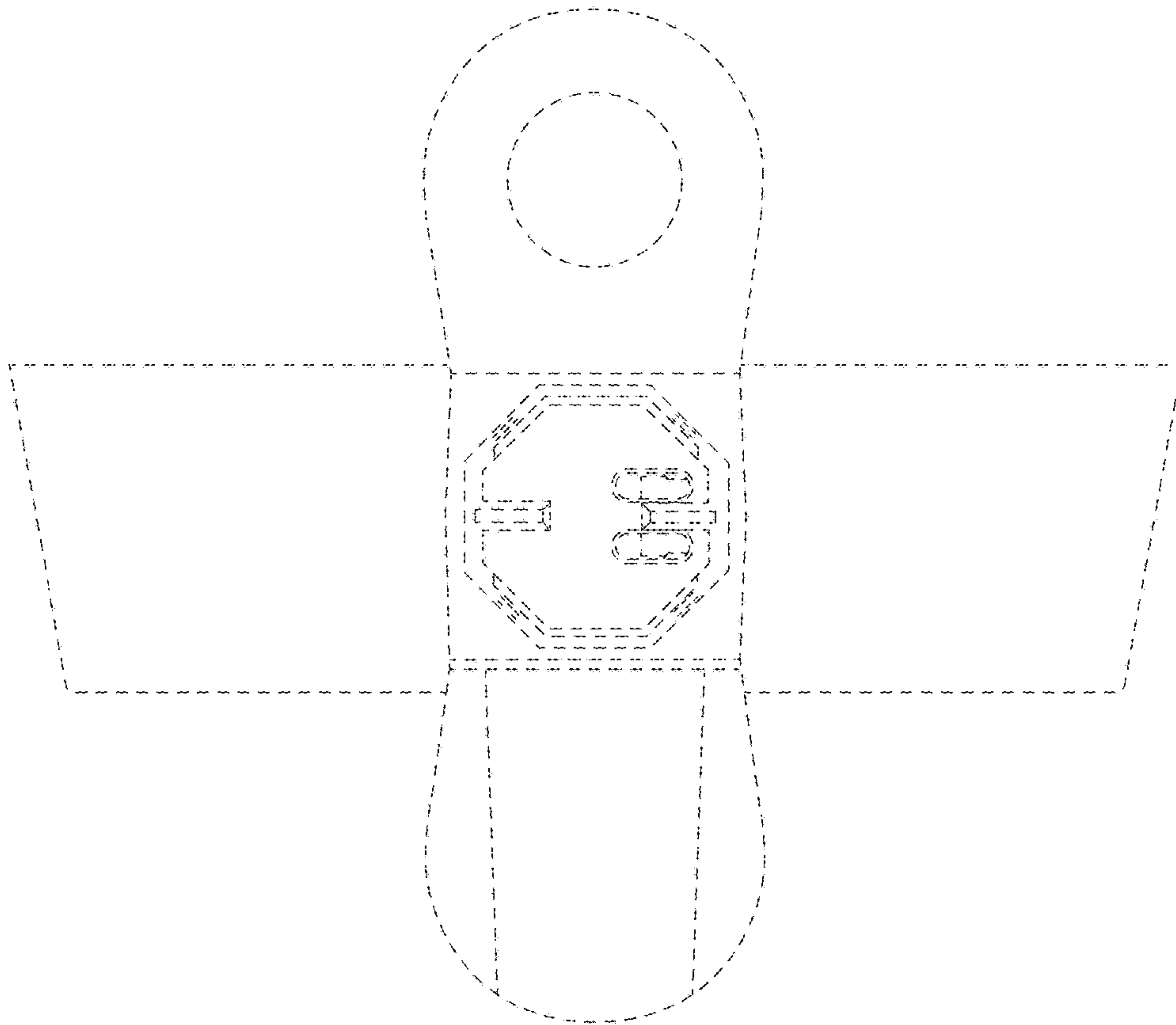


FIG. 3

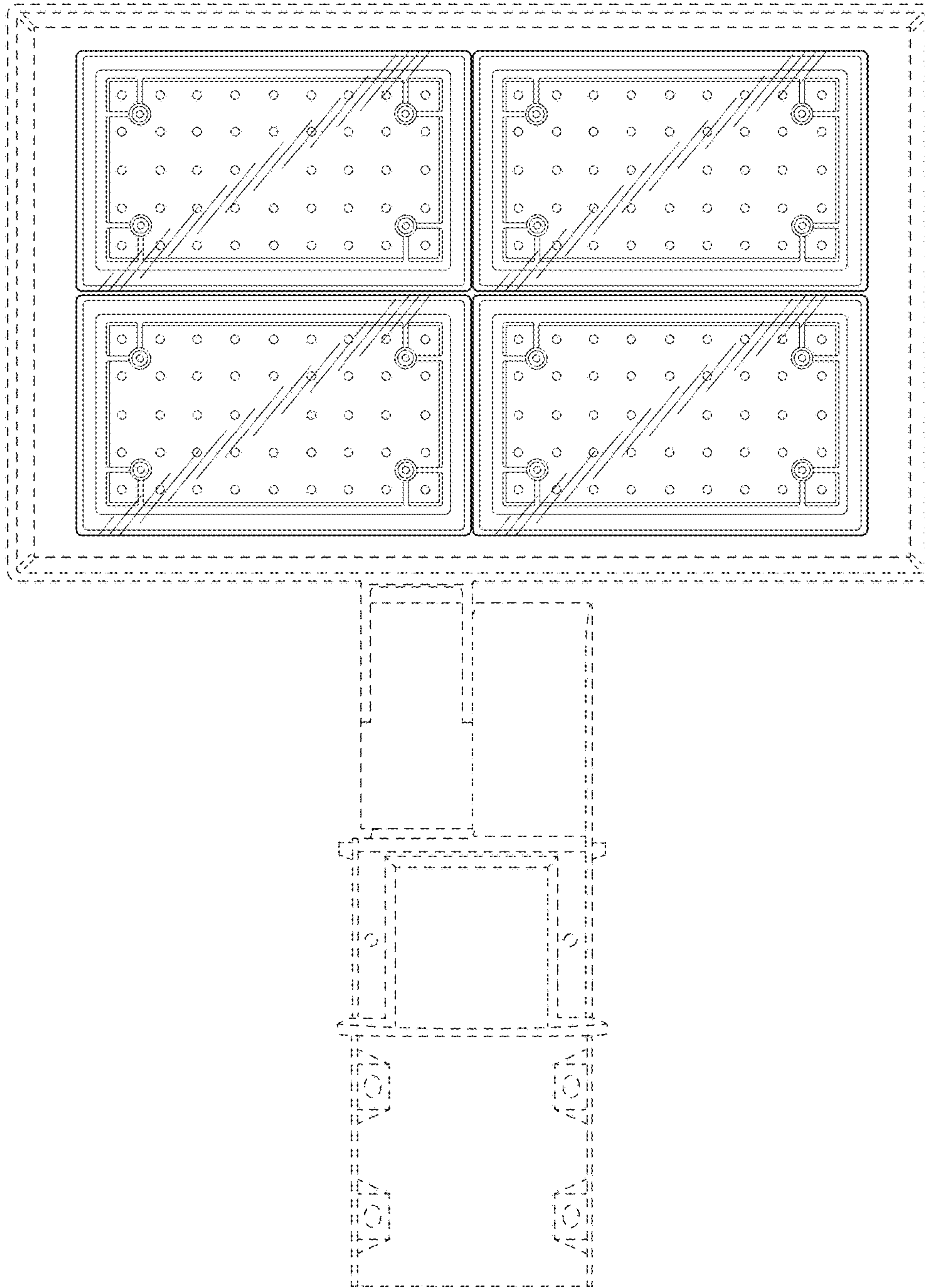


FIG. 4

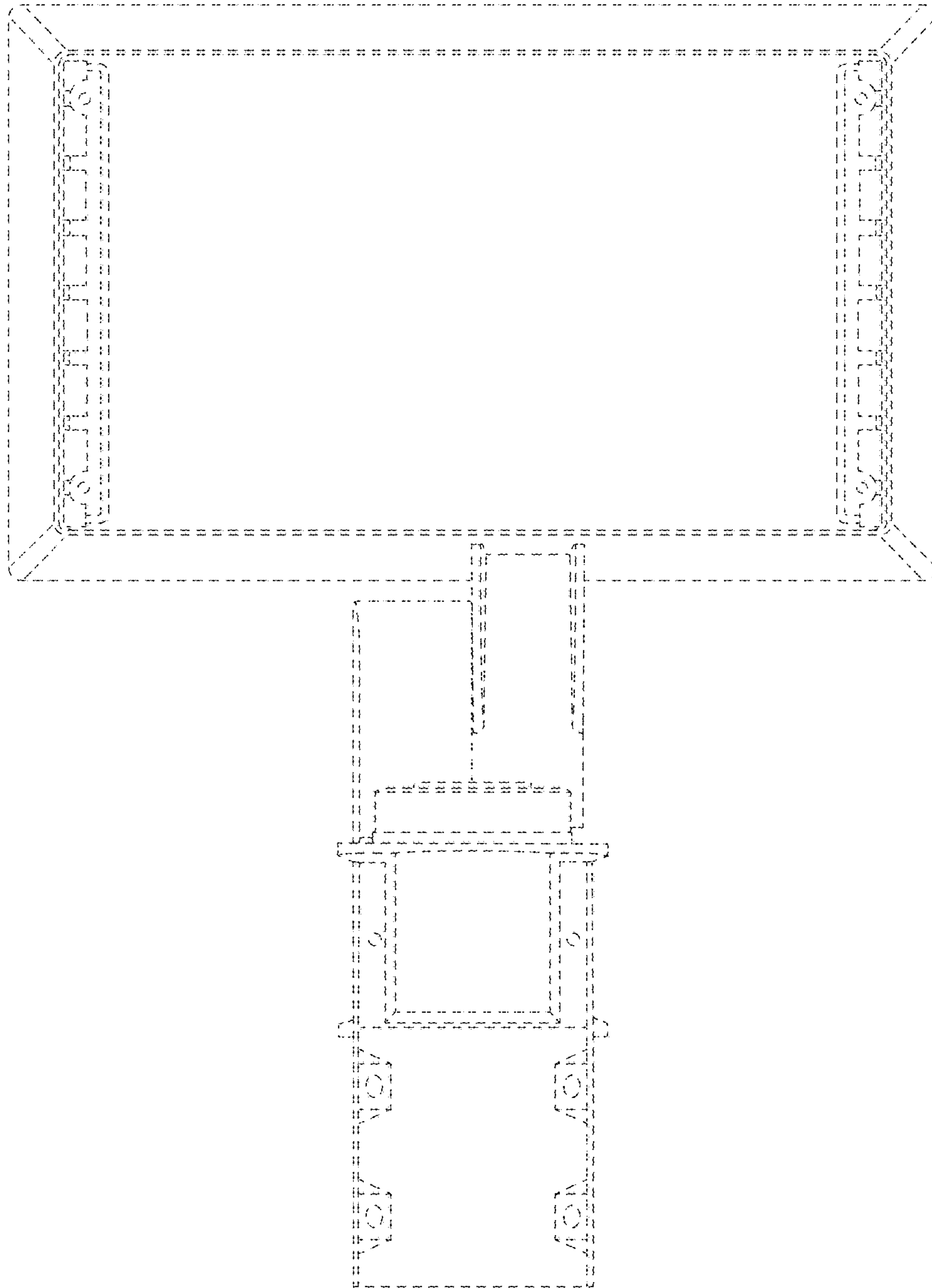


FIG. 5

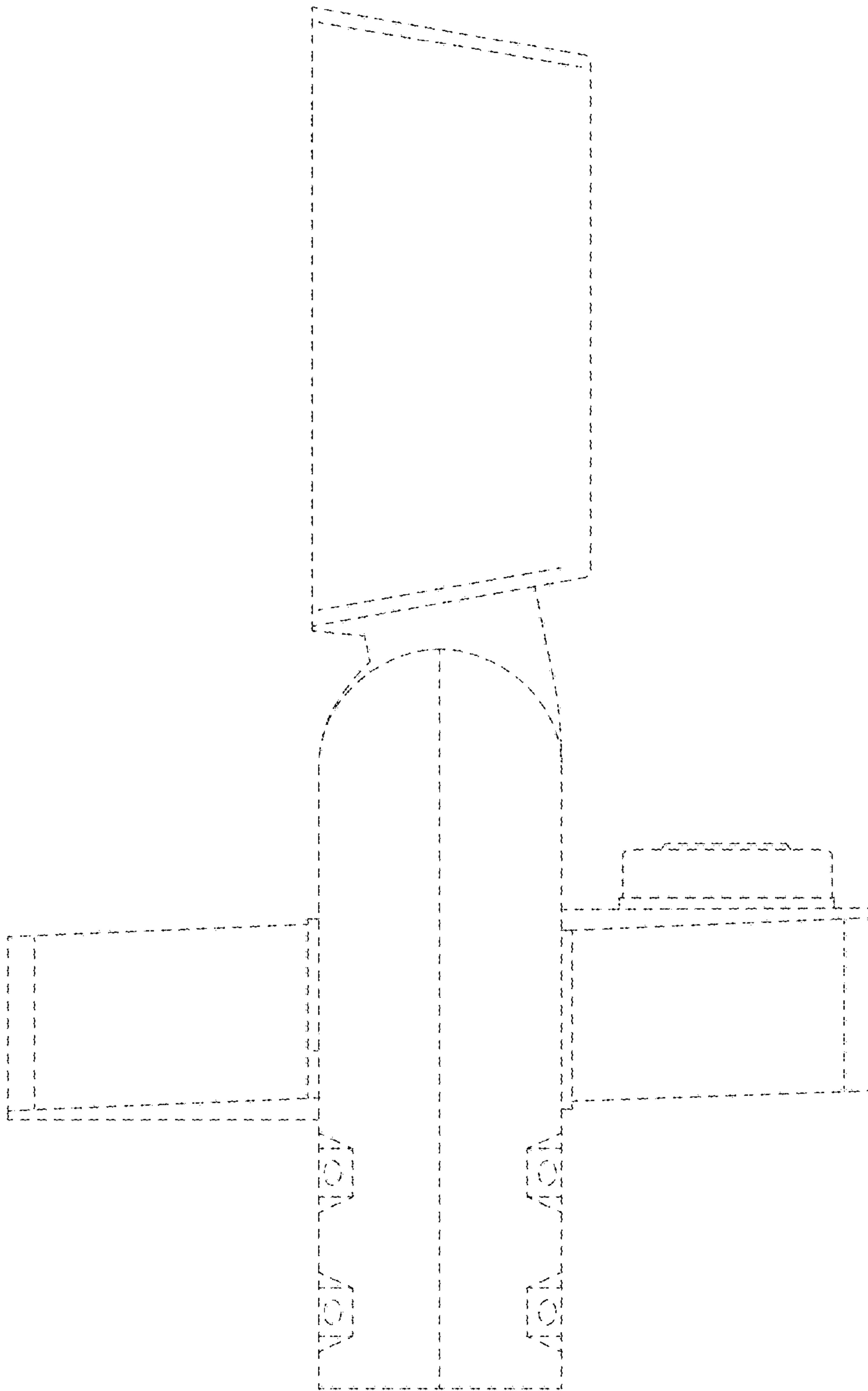


FIG. 6

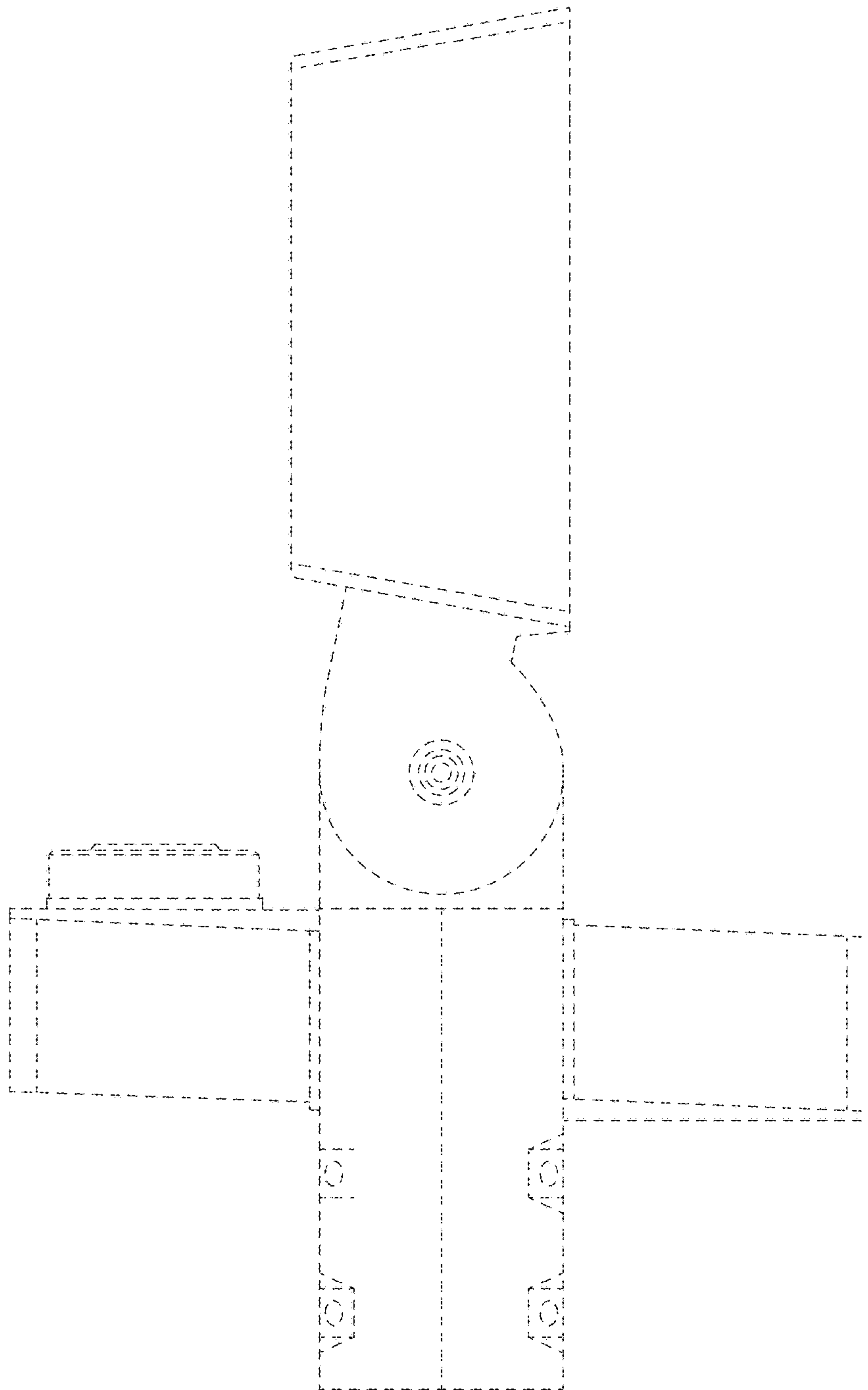


FIG. 7

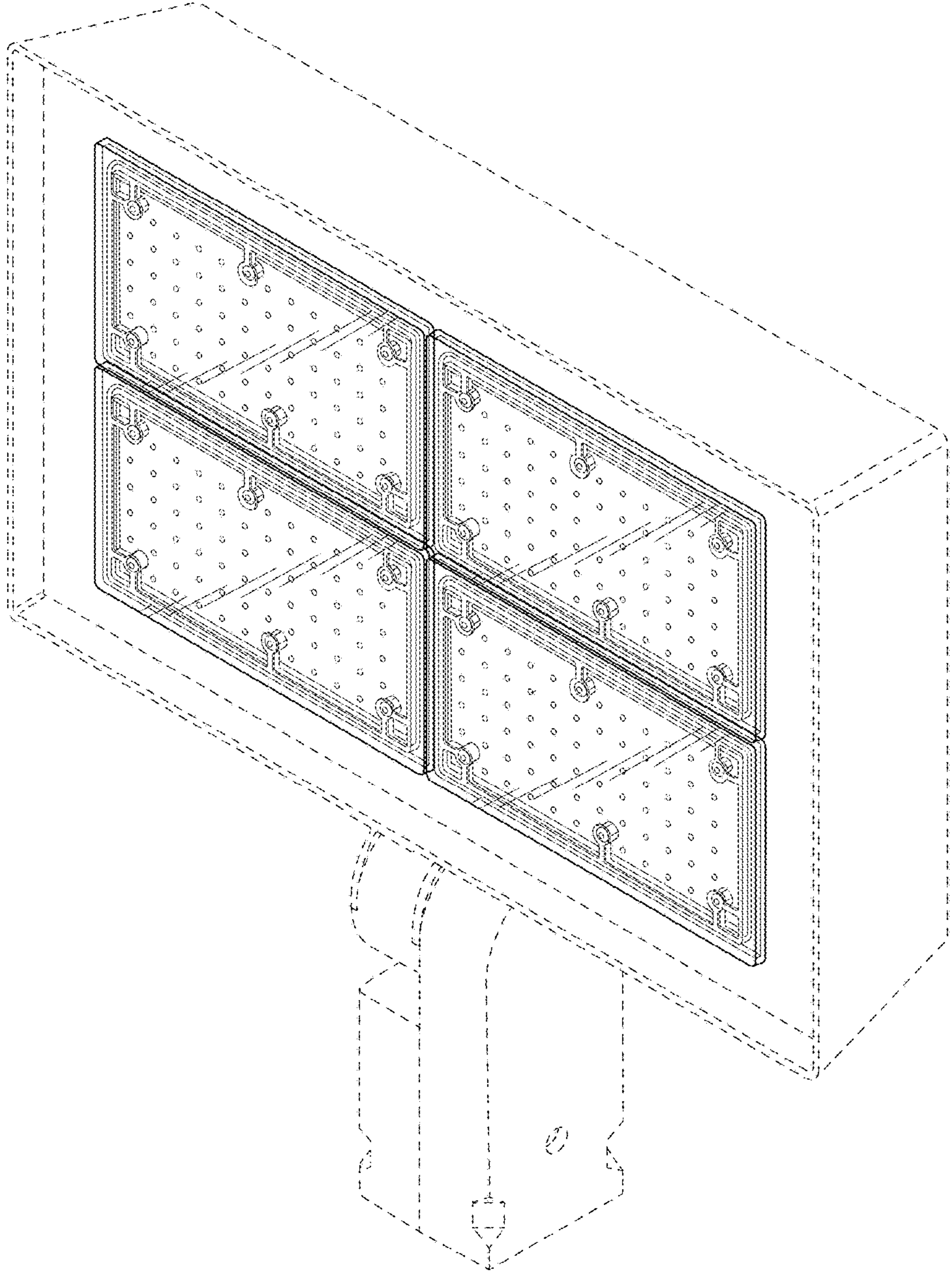


FIG. 8

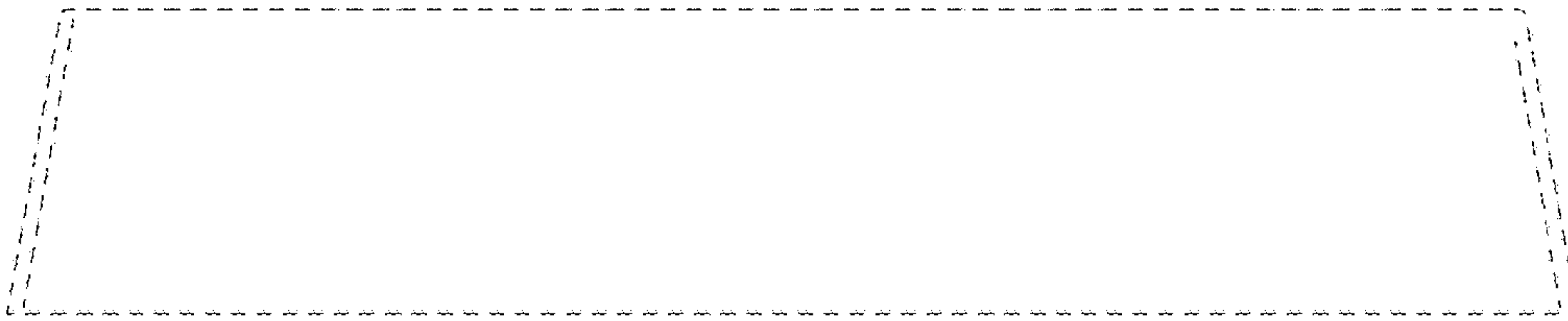


FIG. 9

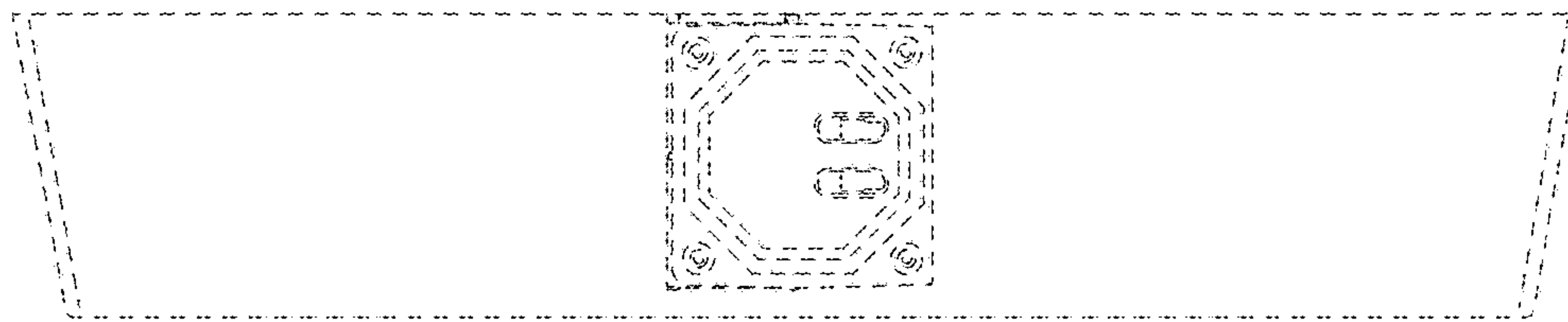


FIG. 10

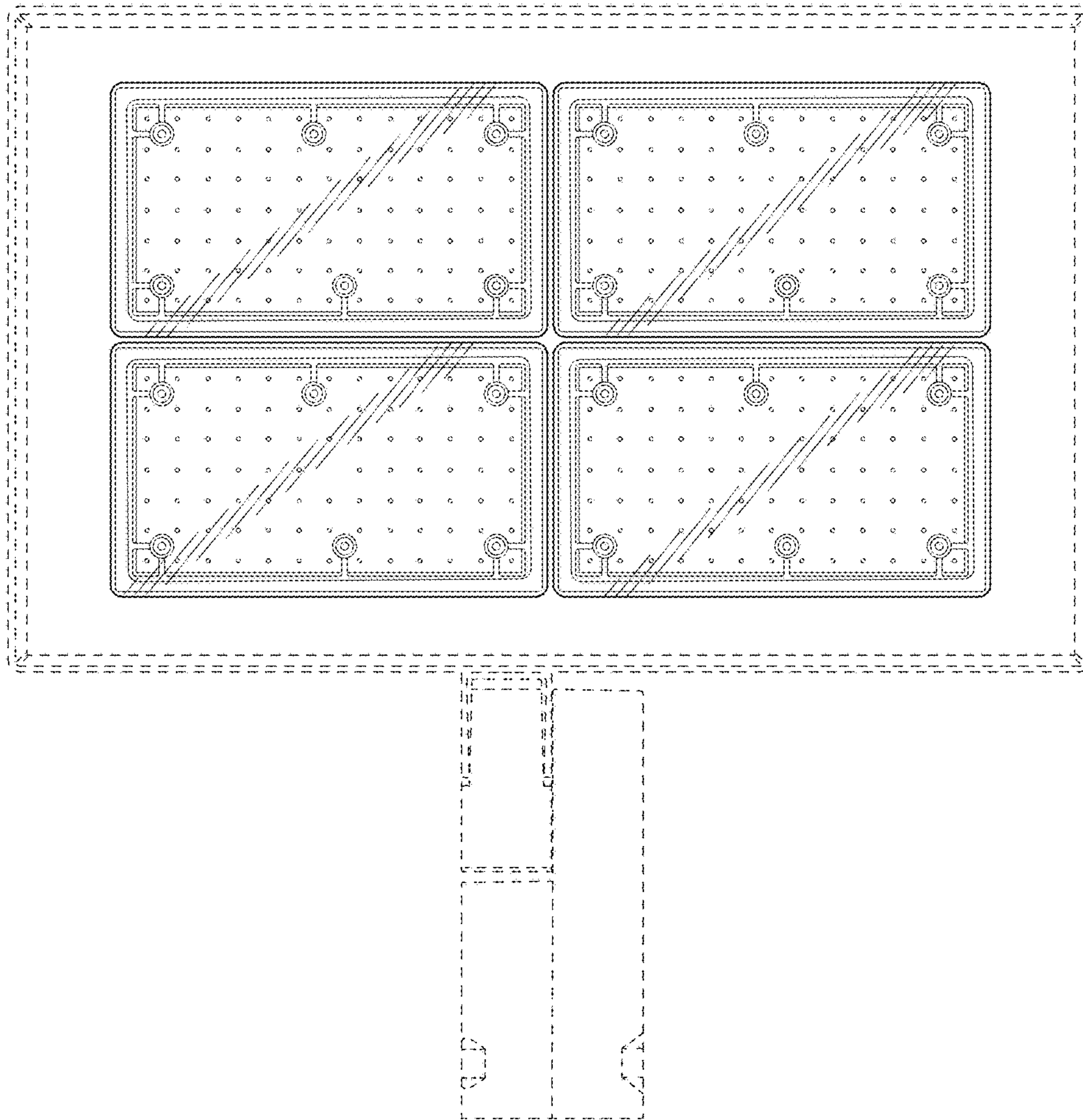


FIG. 11

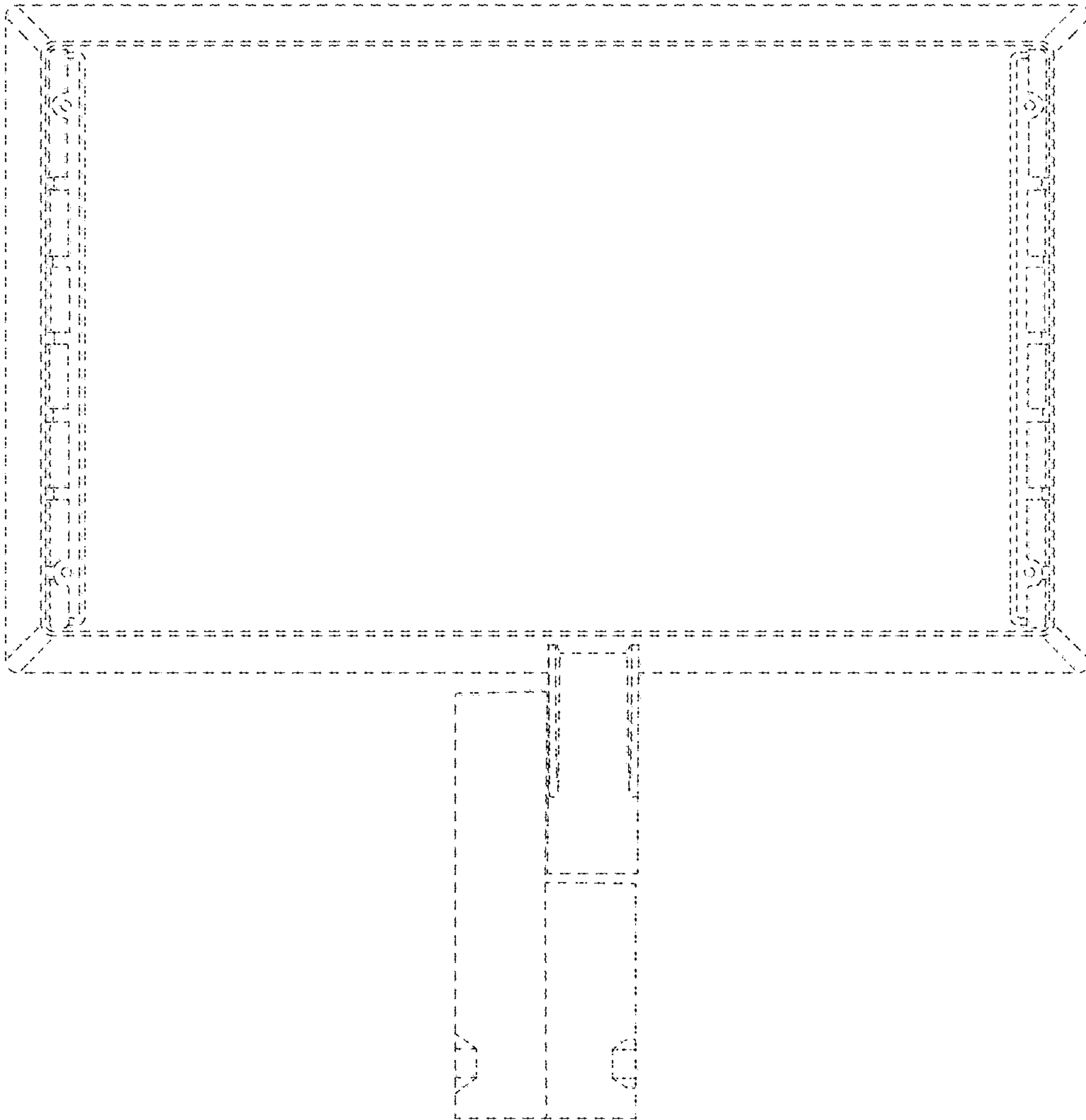


FIG. 12

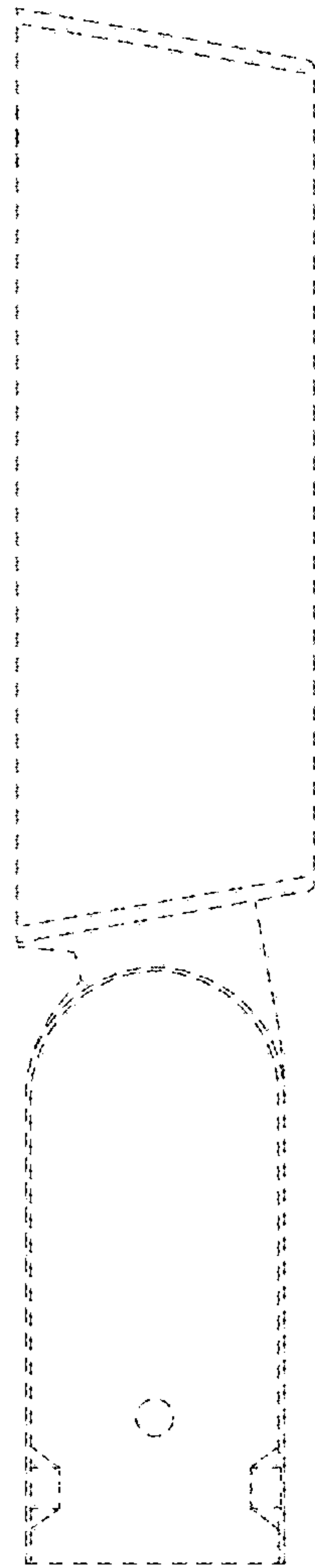


FIG. 13

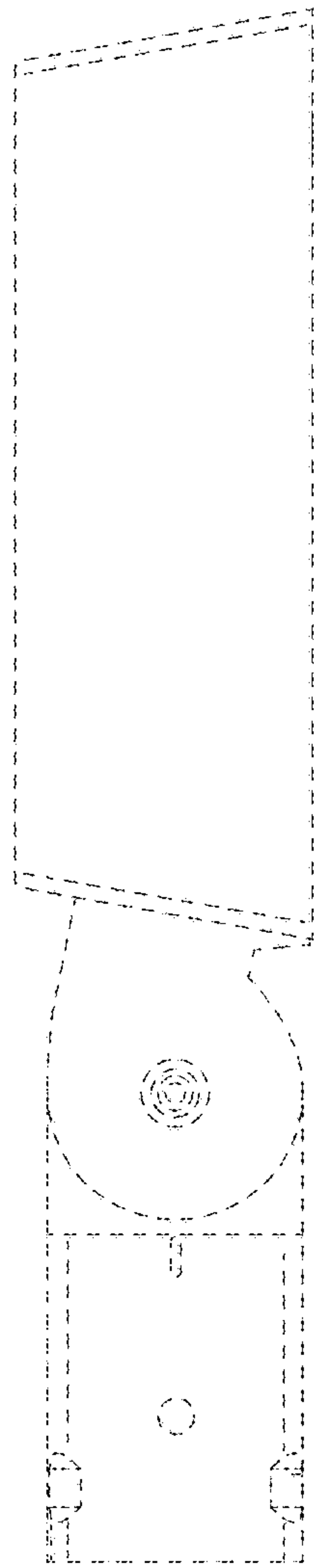


FIG. 14

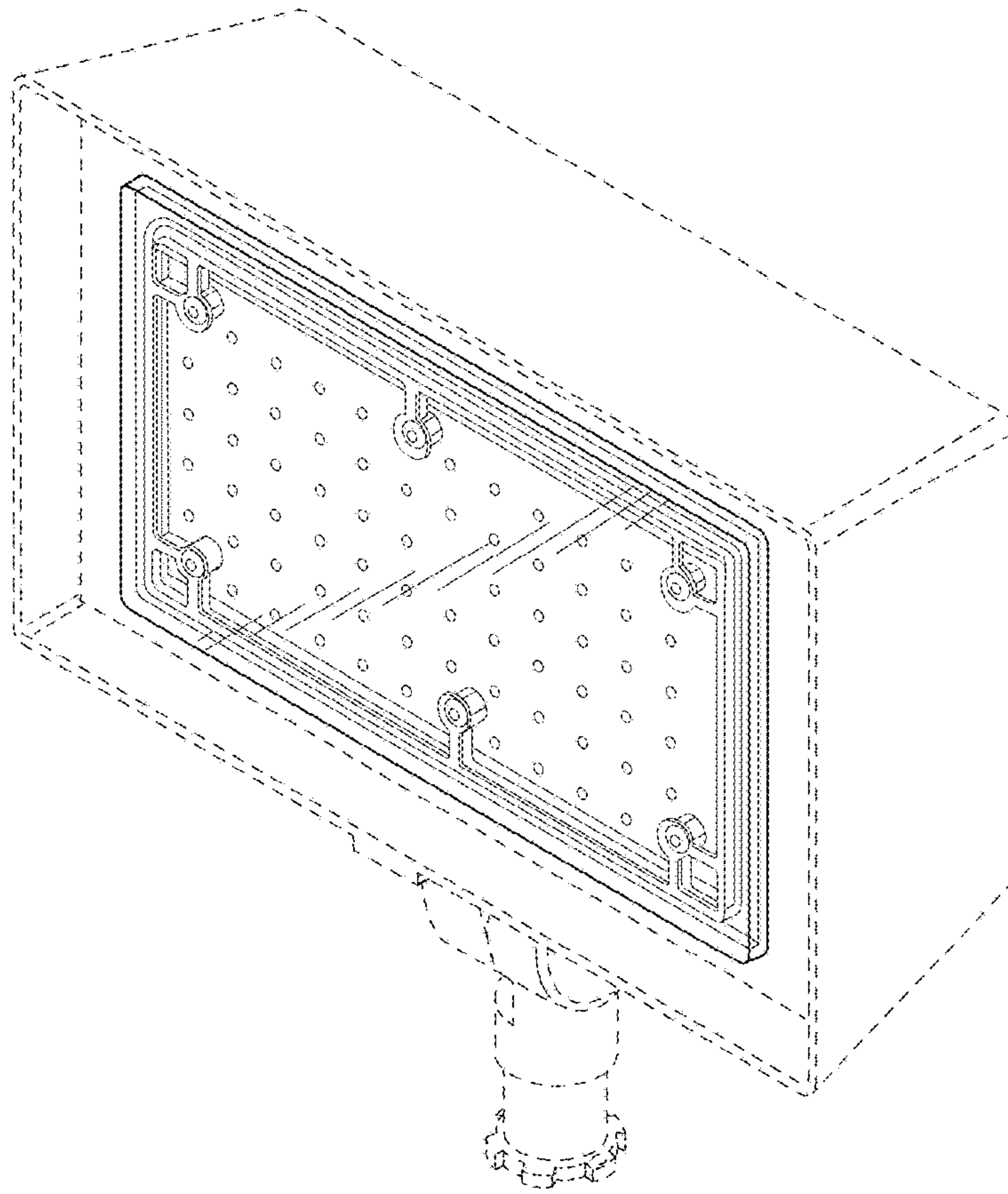


FIG. 15

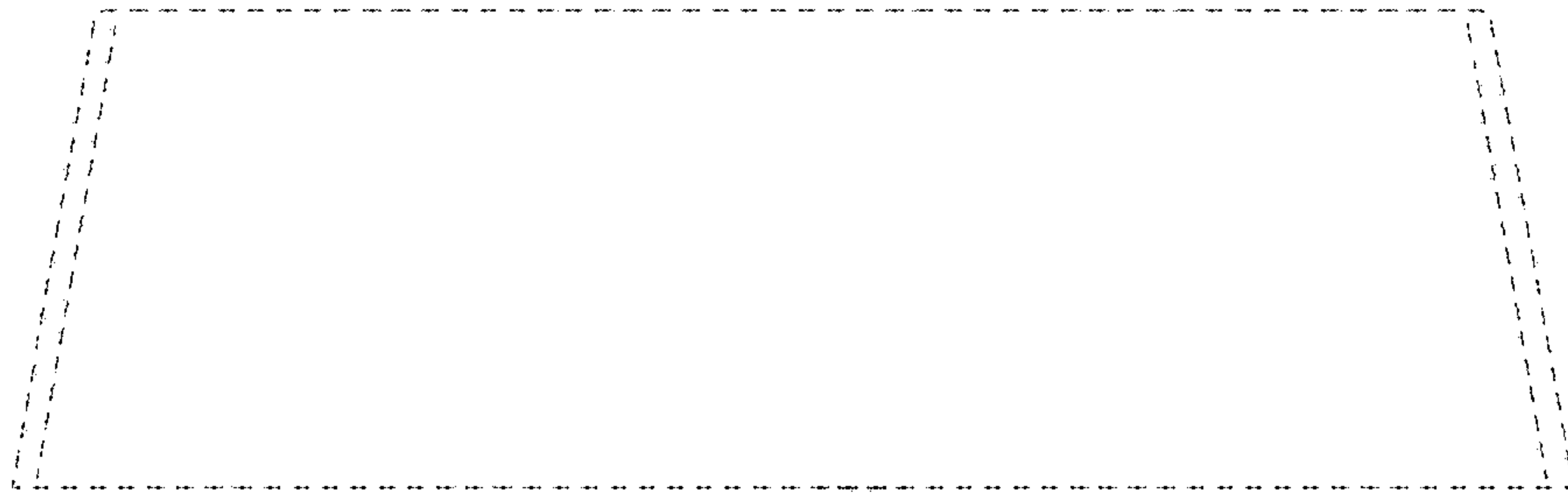


FIG. 16

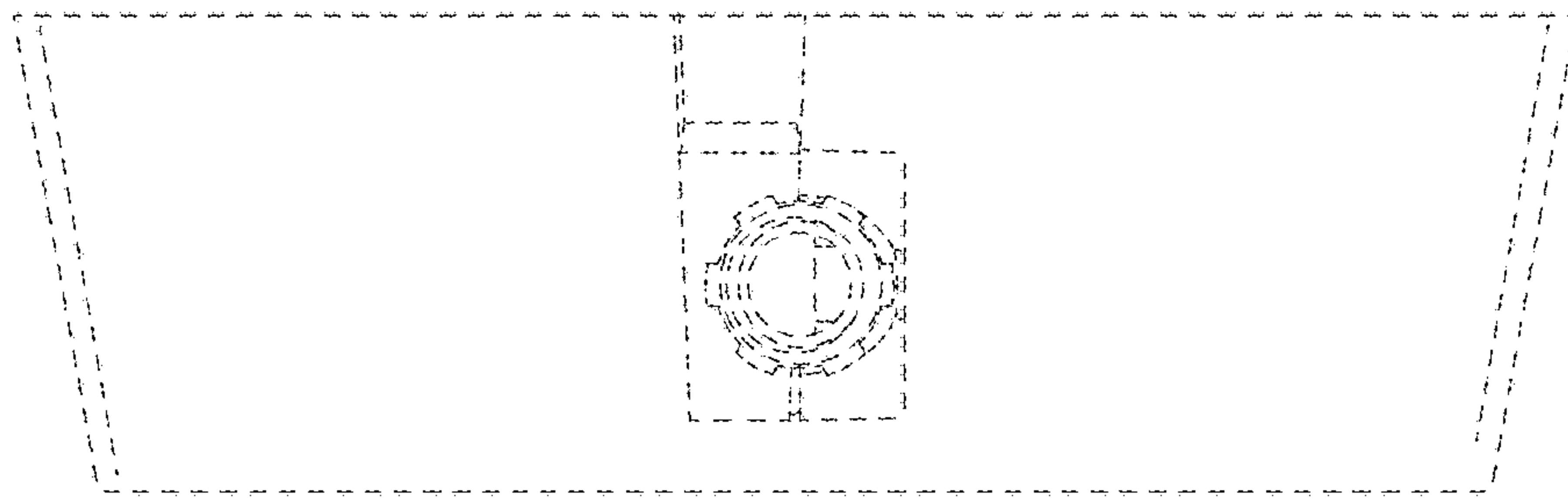


FIG. 17

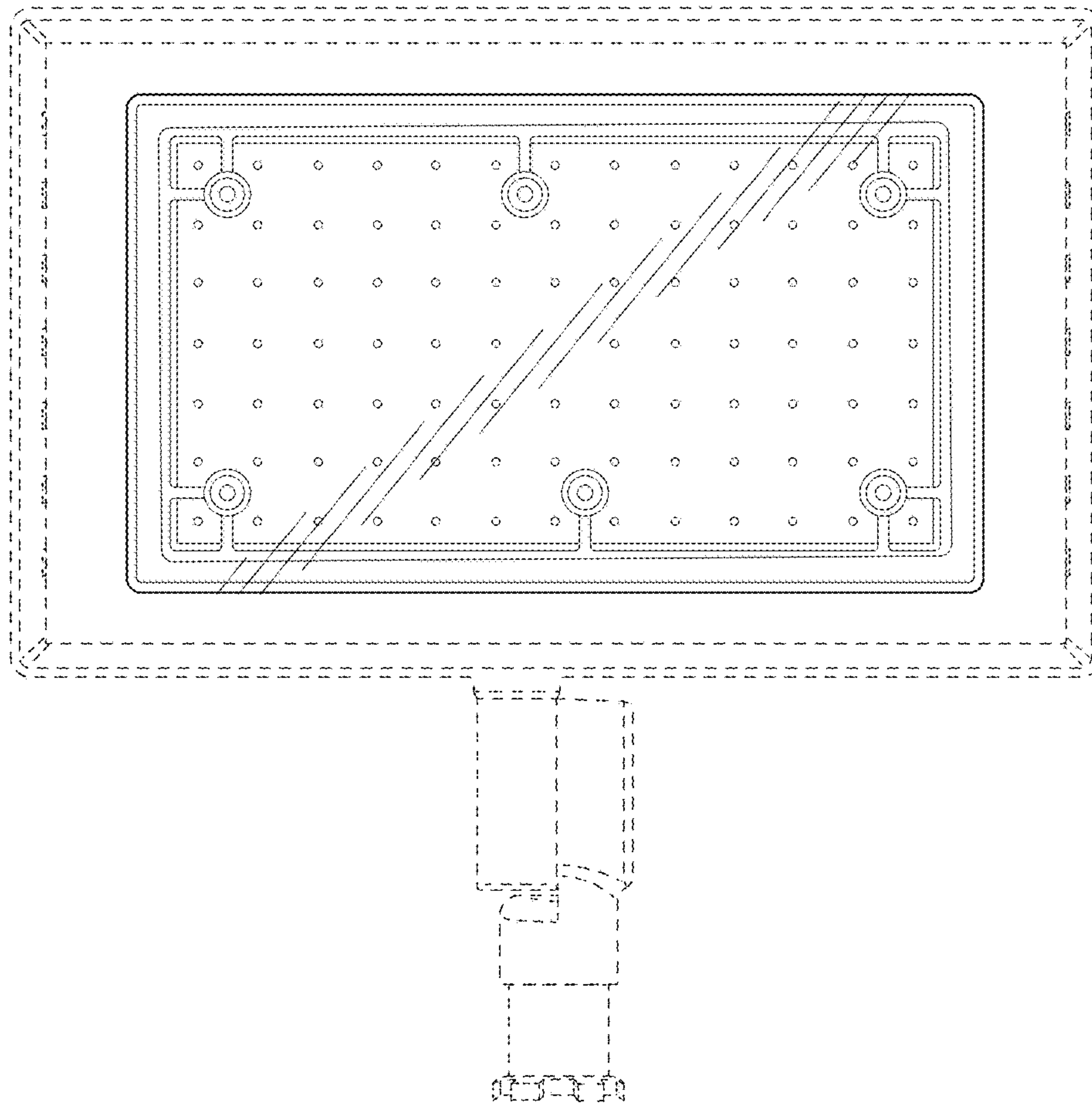


FIG. 18

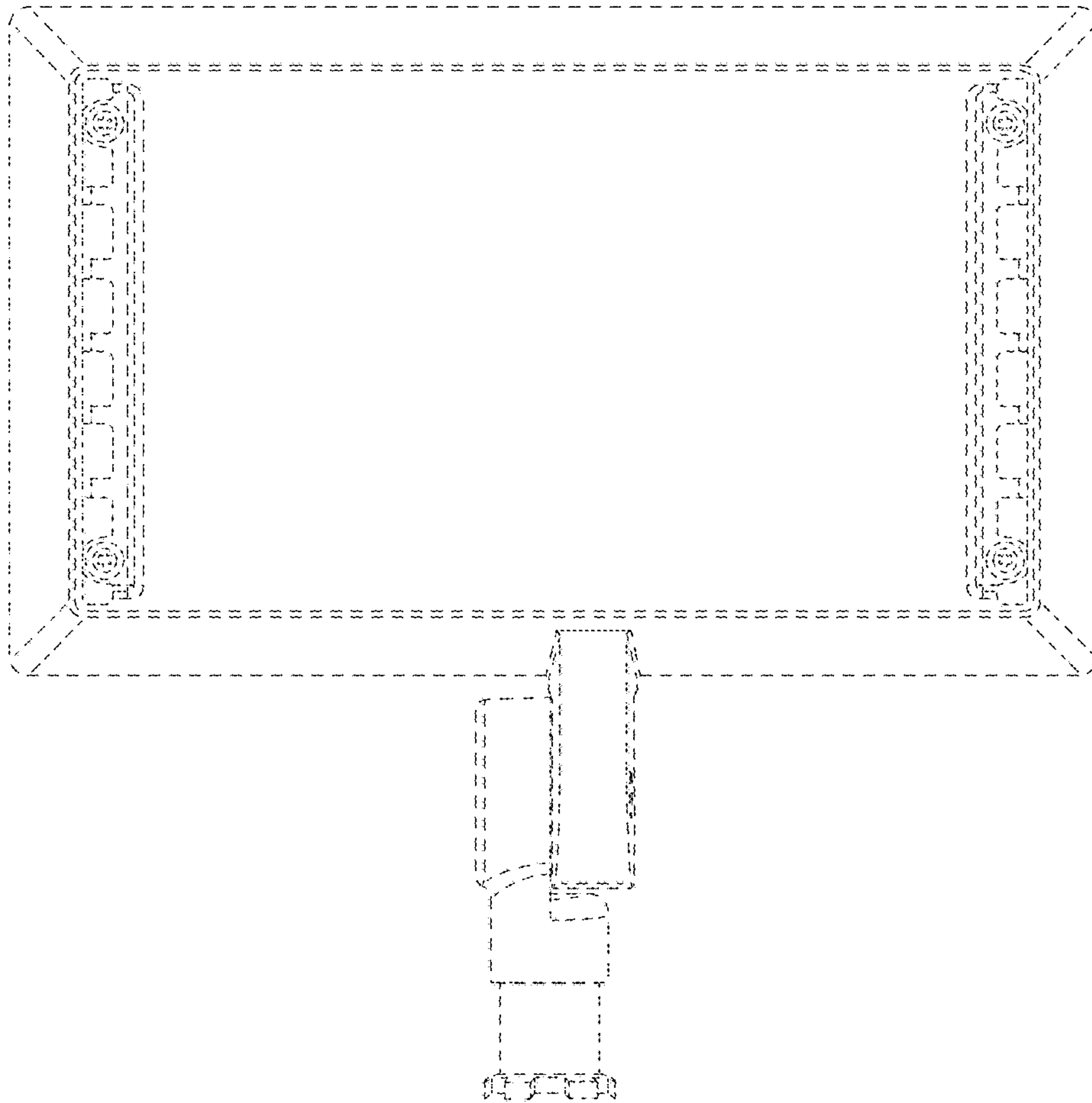


FIG. 19

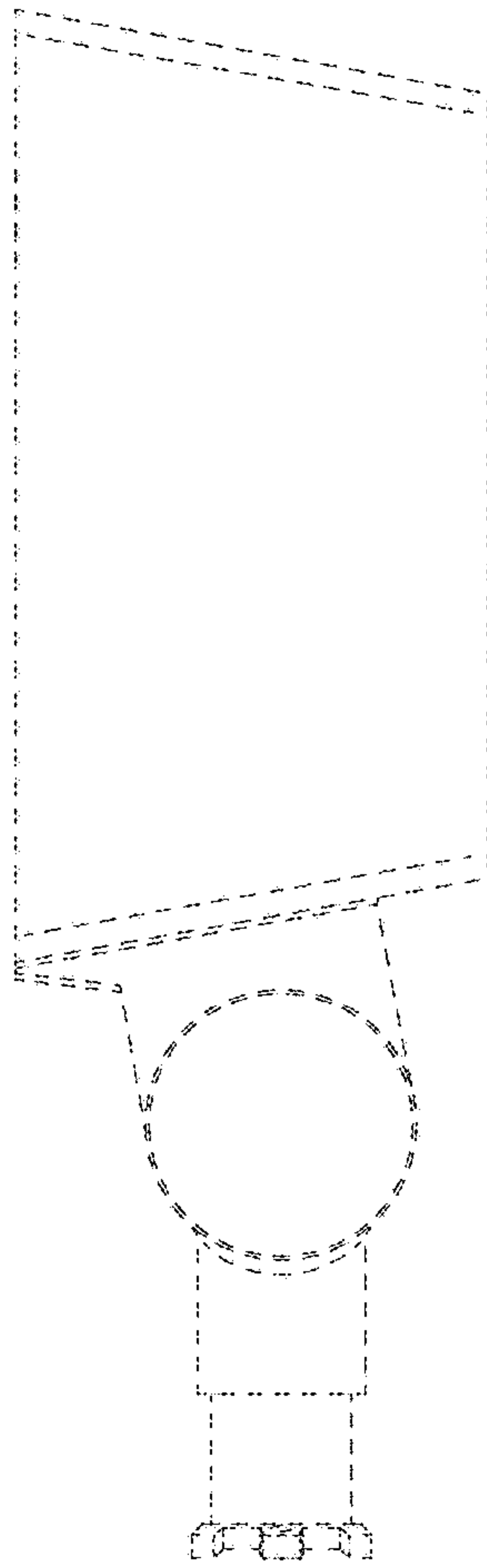


FIG. 20

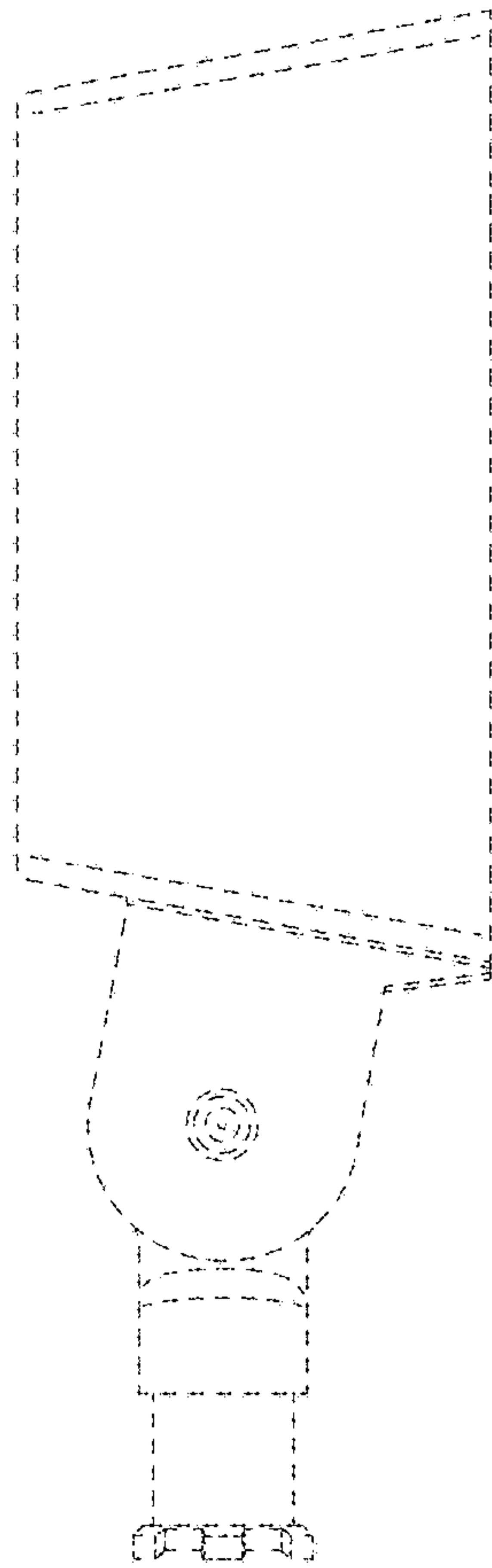


FIG. 21

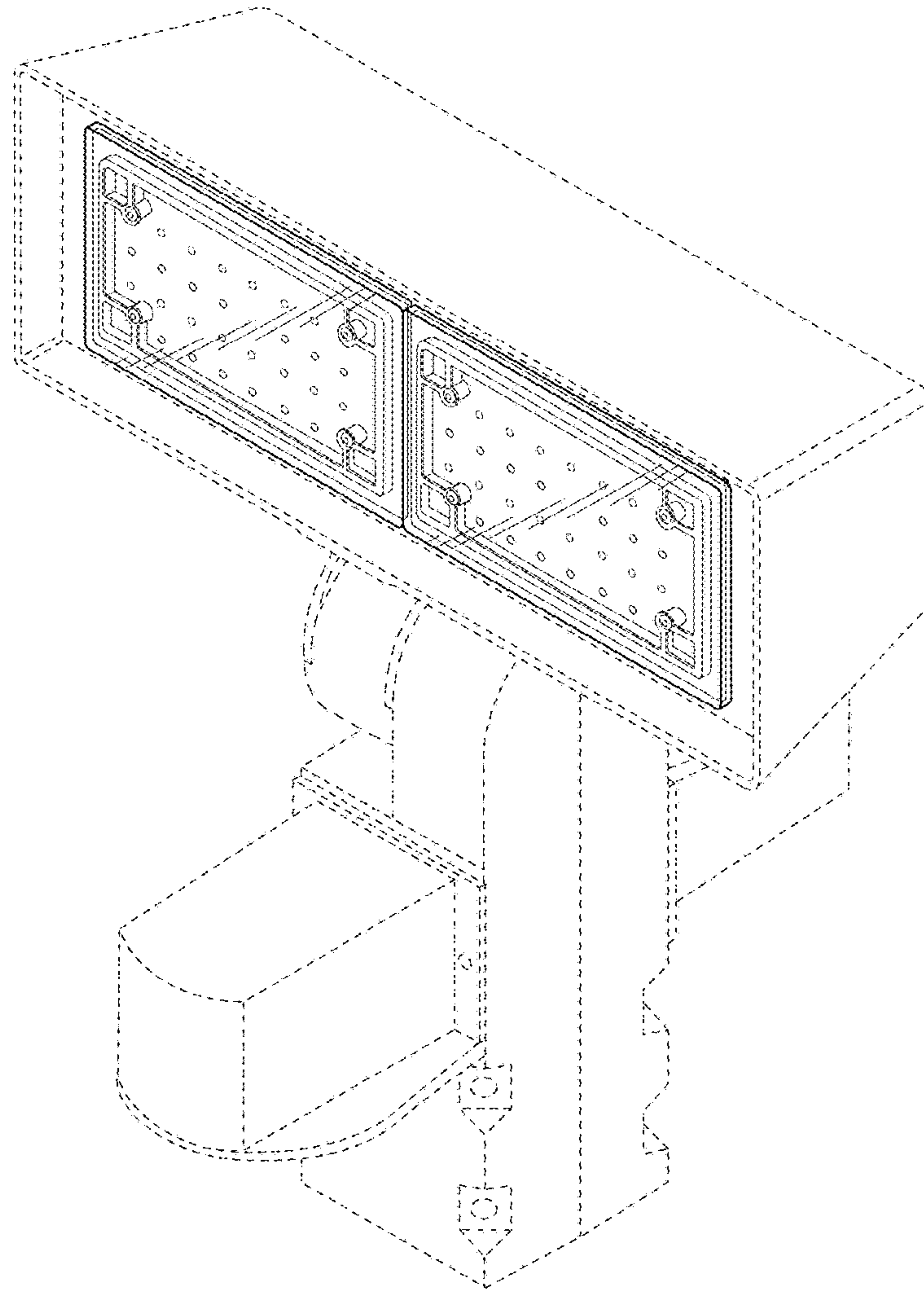


FIG. 22

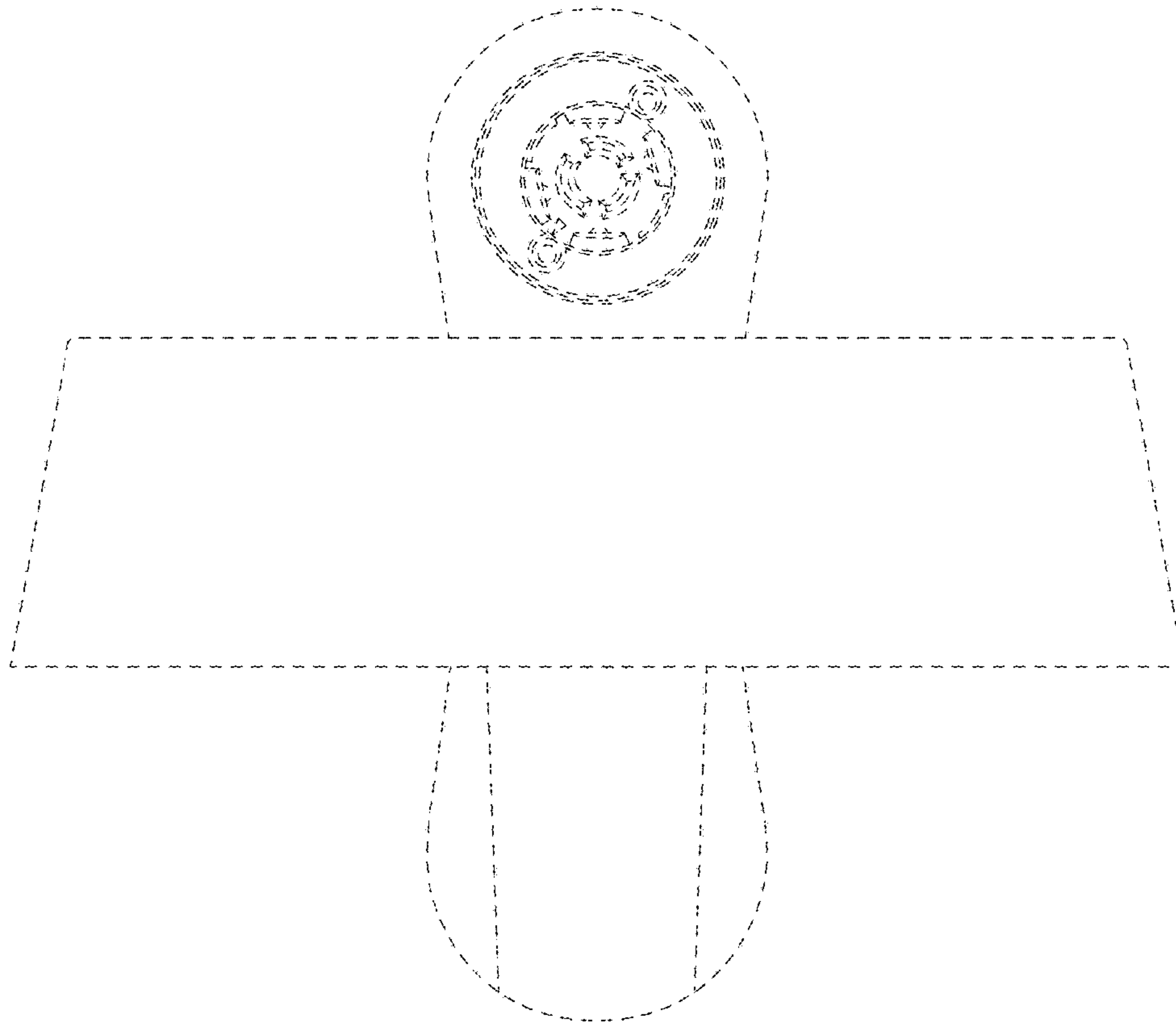


FIG. 23

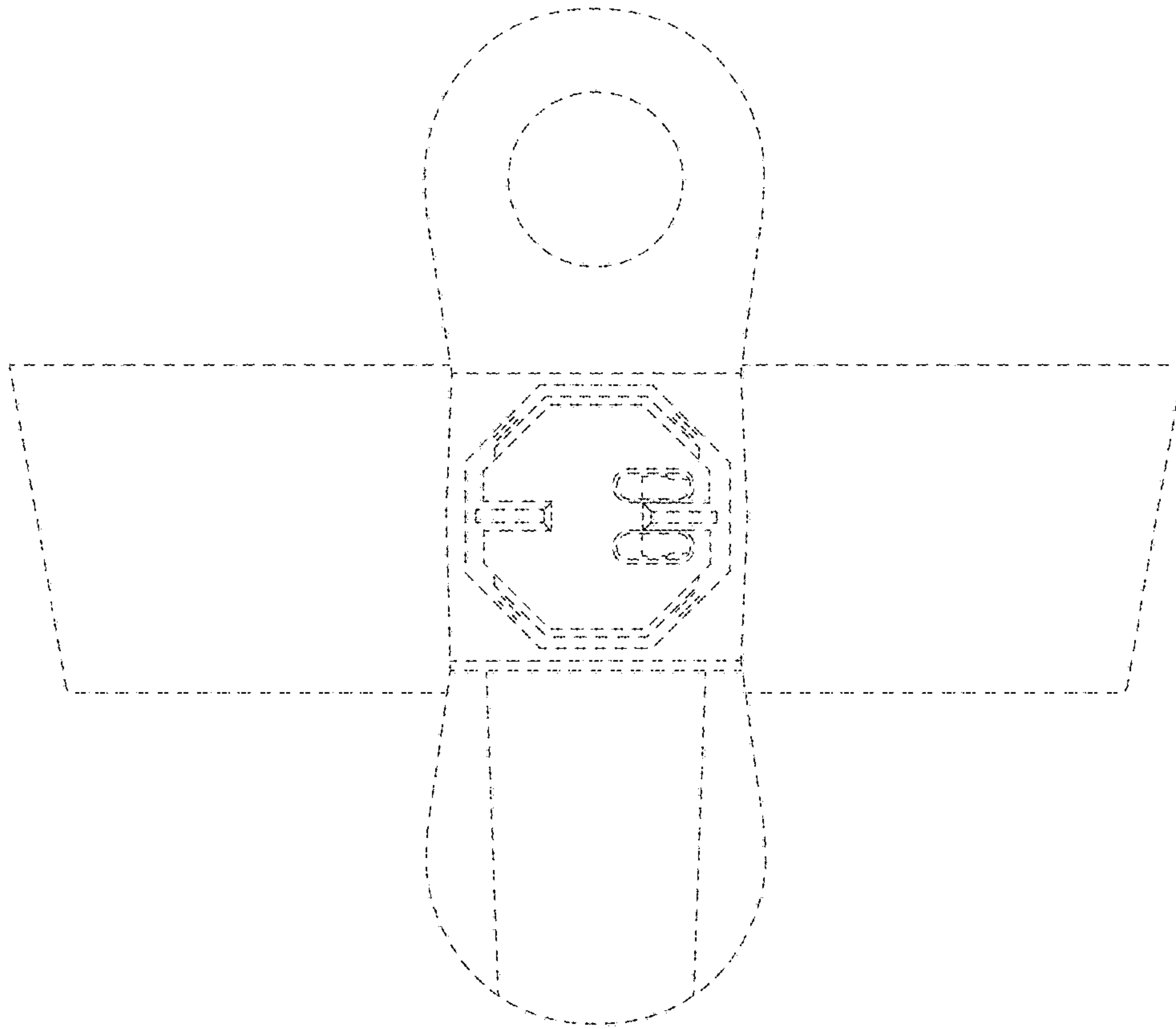


FIG. 24

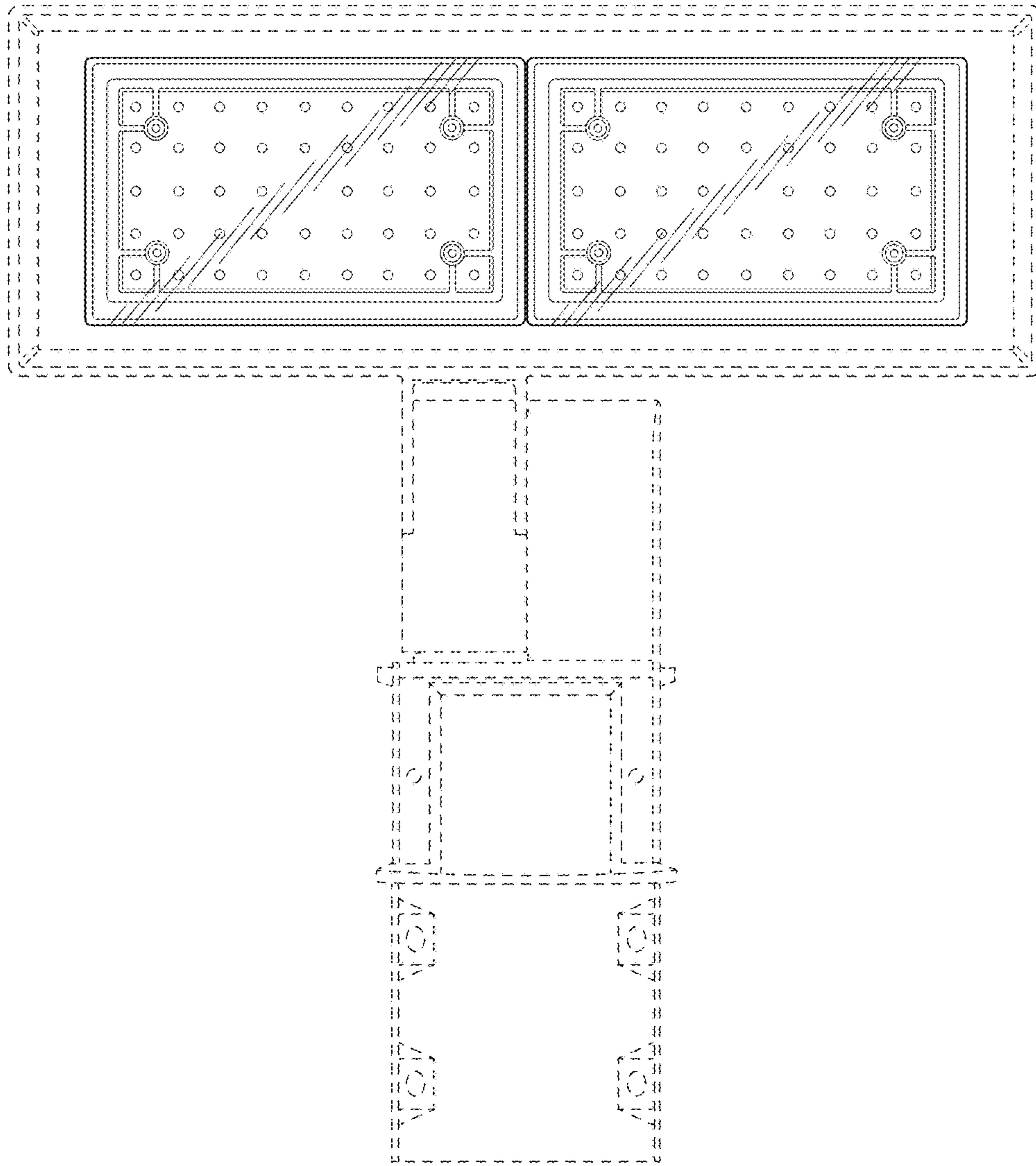


FIG. 25

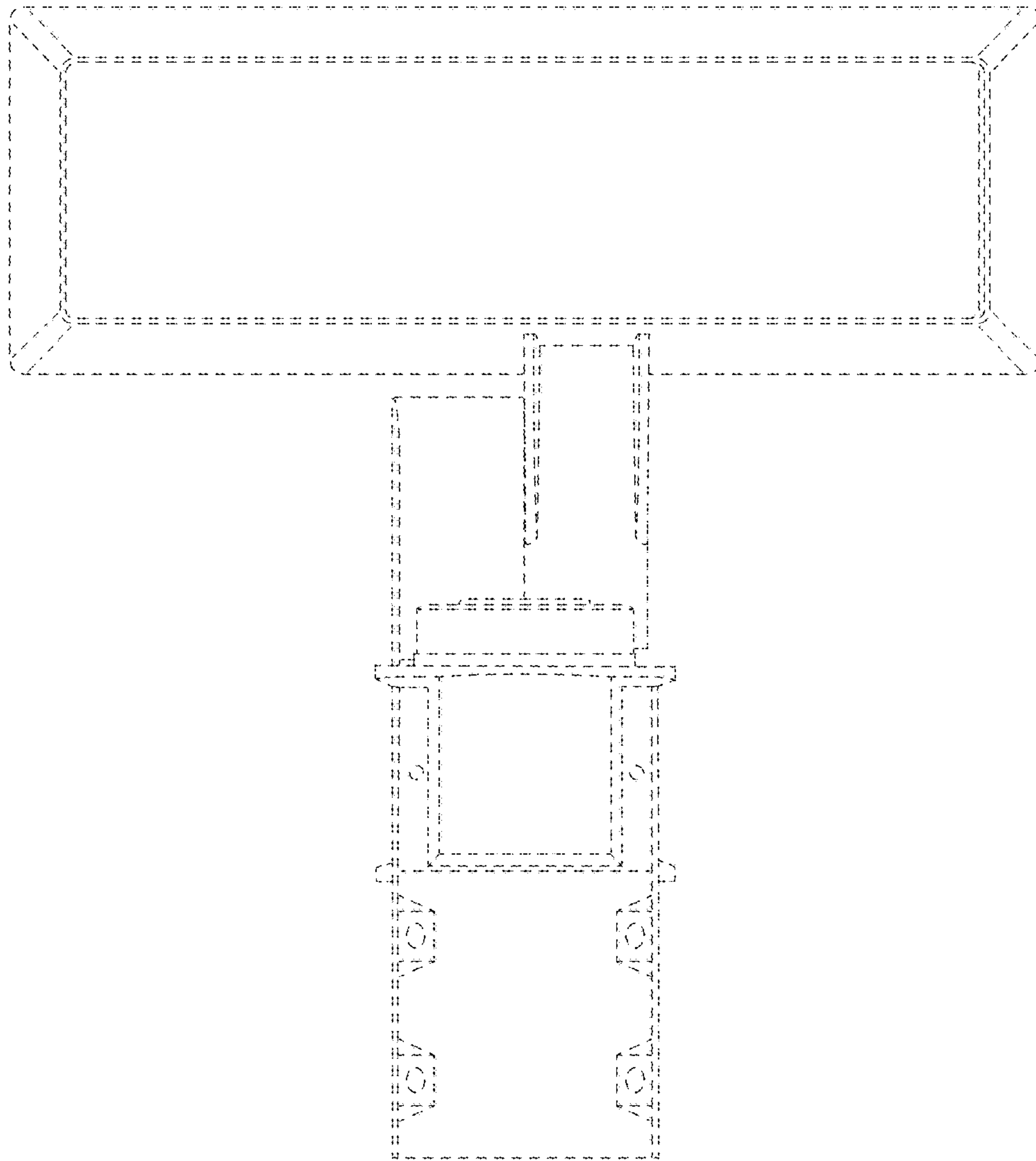


FIG. 26

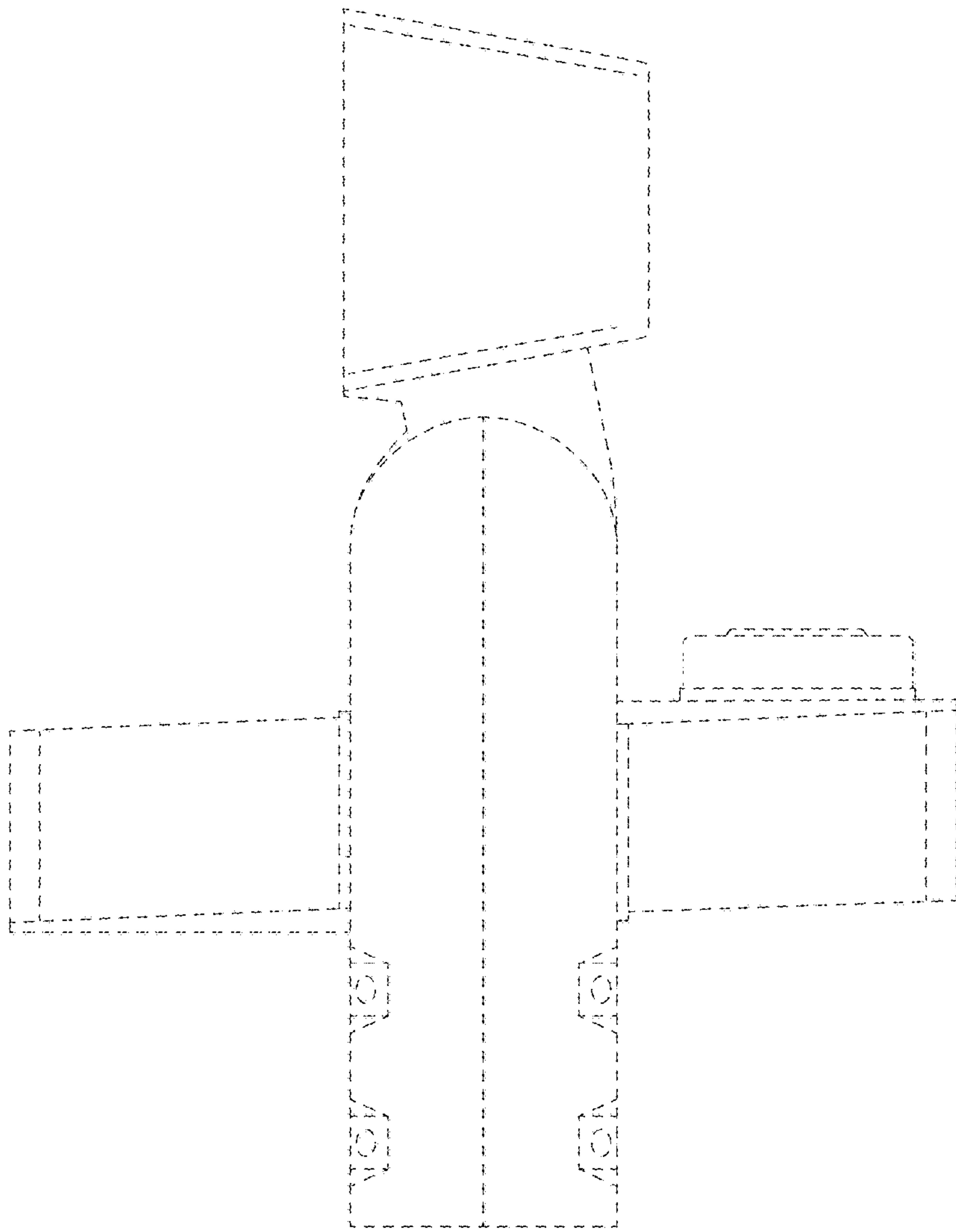


FIG. 27

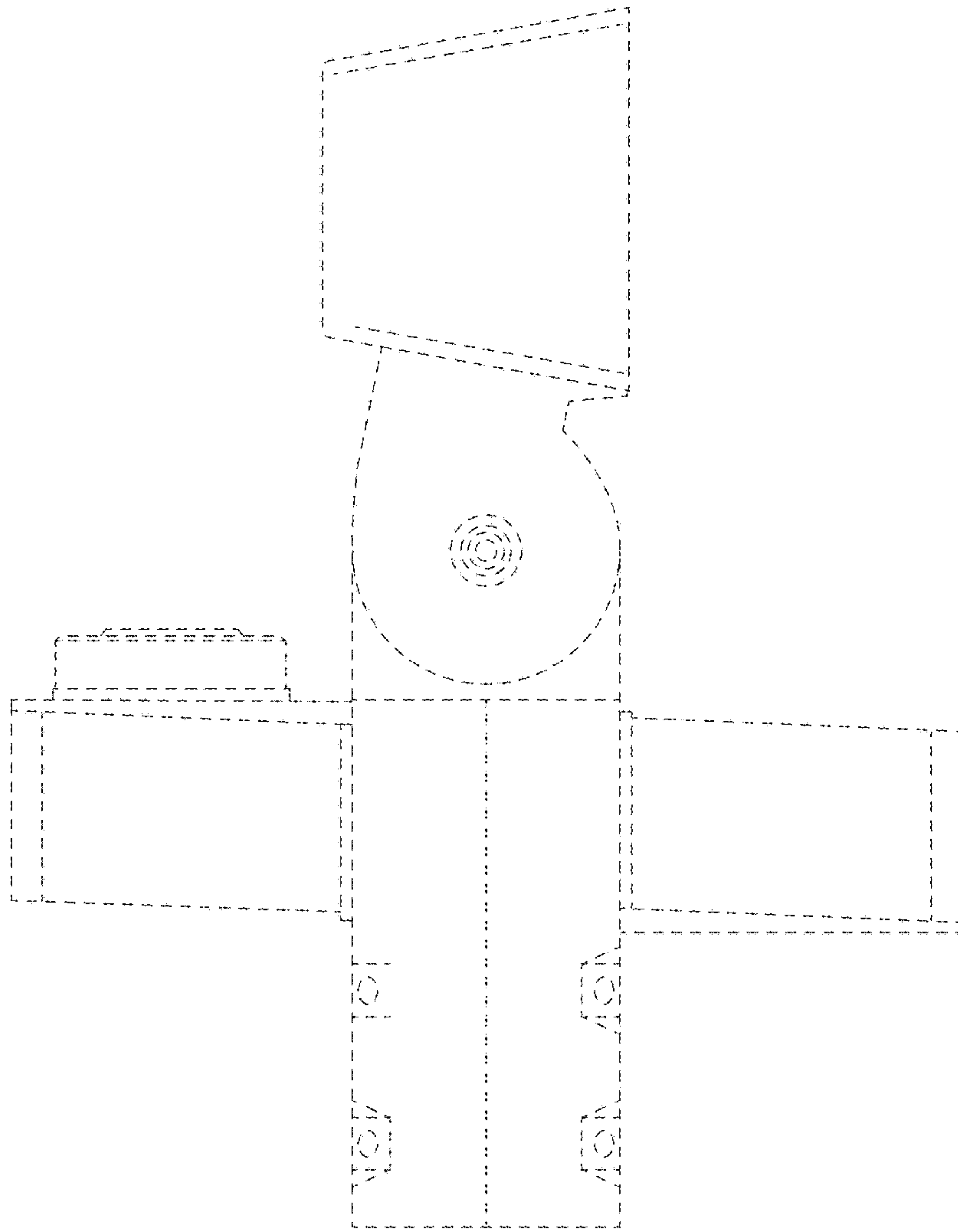


FIG. 28

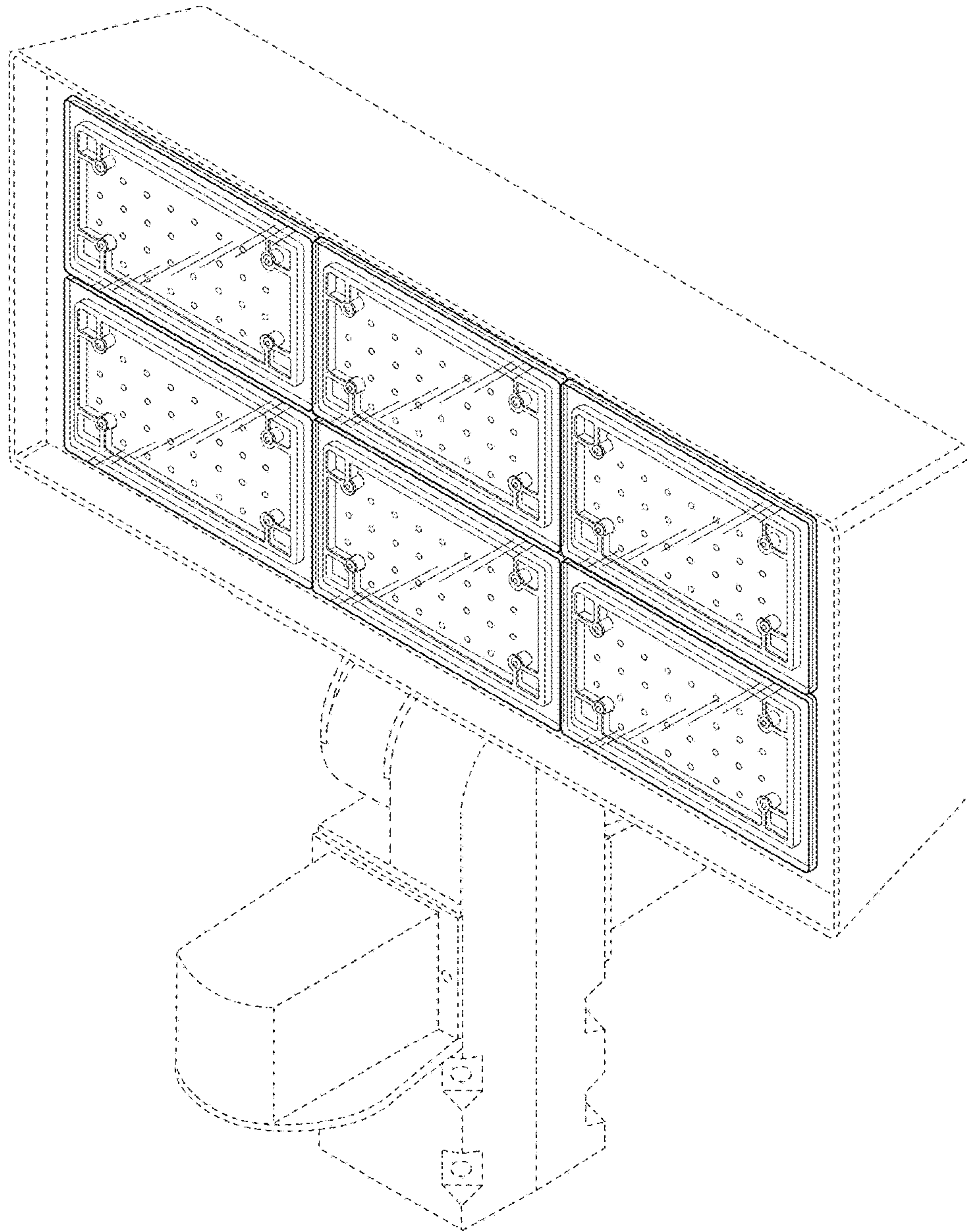


FIG. 29

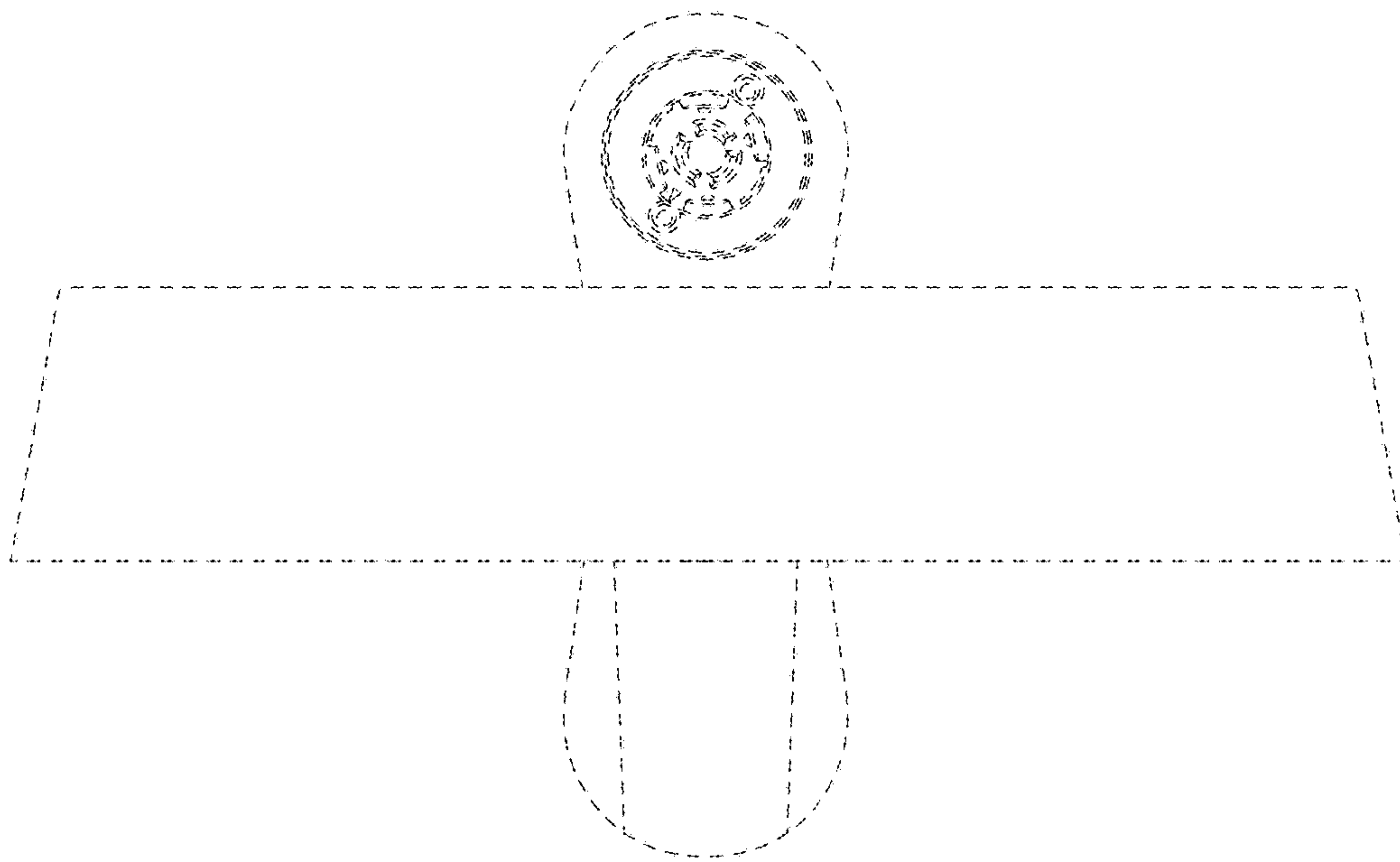


FIG. 30

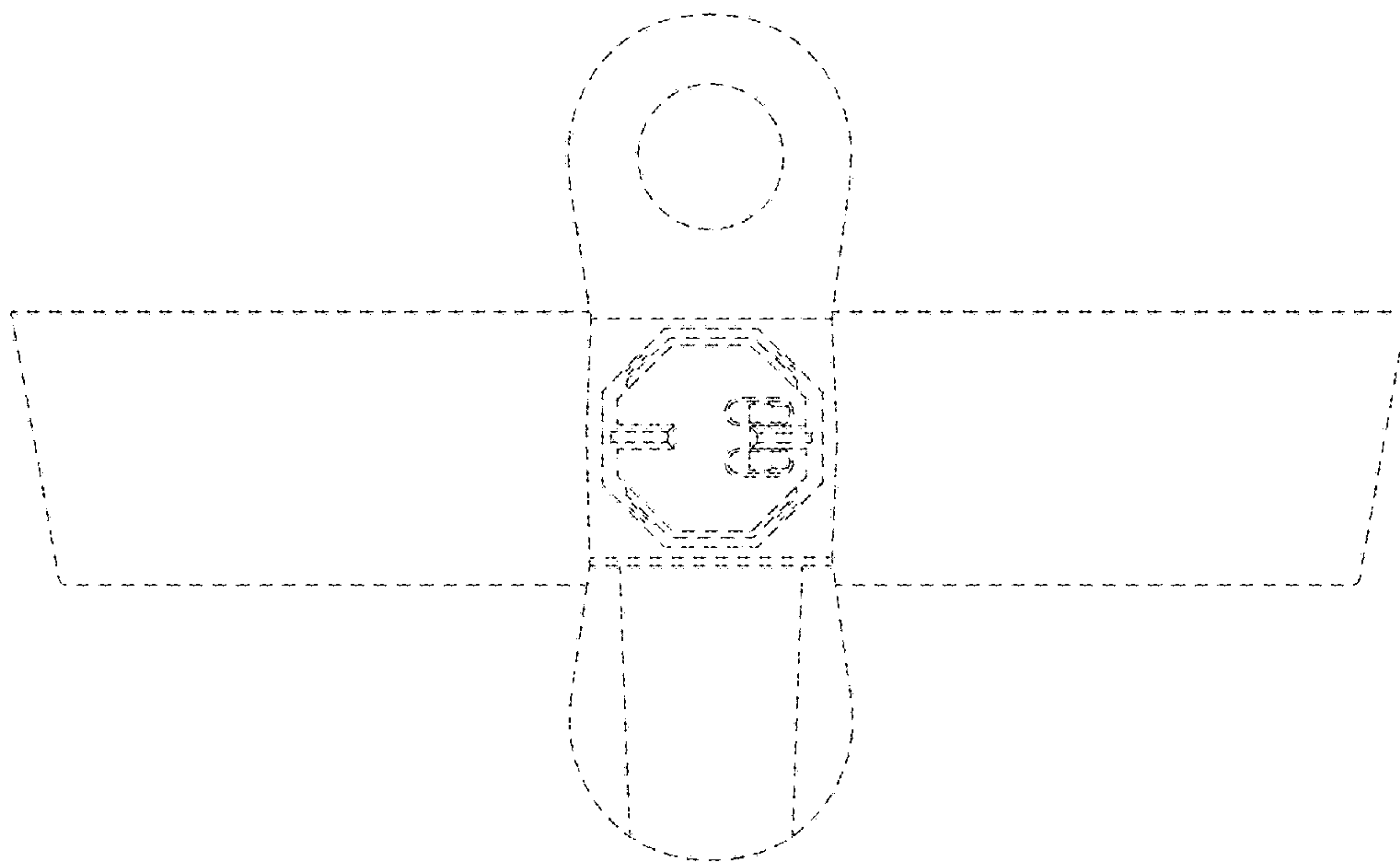


FIG. 31

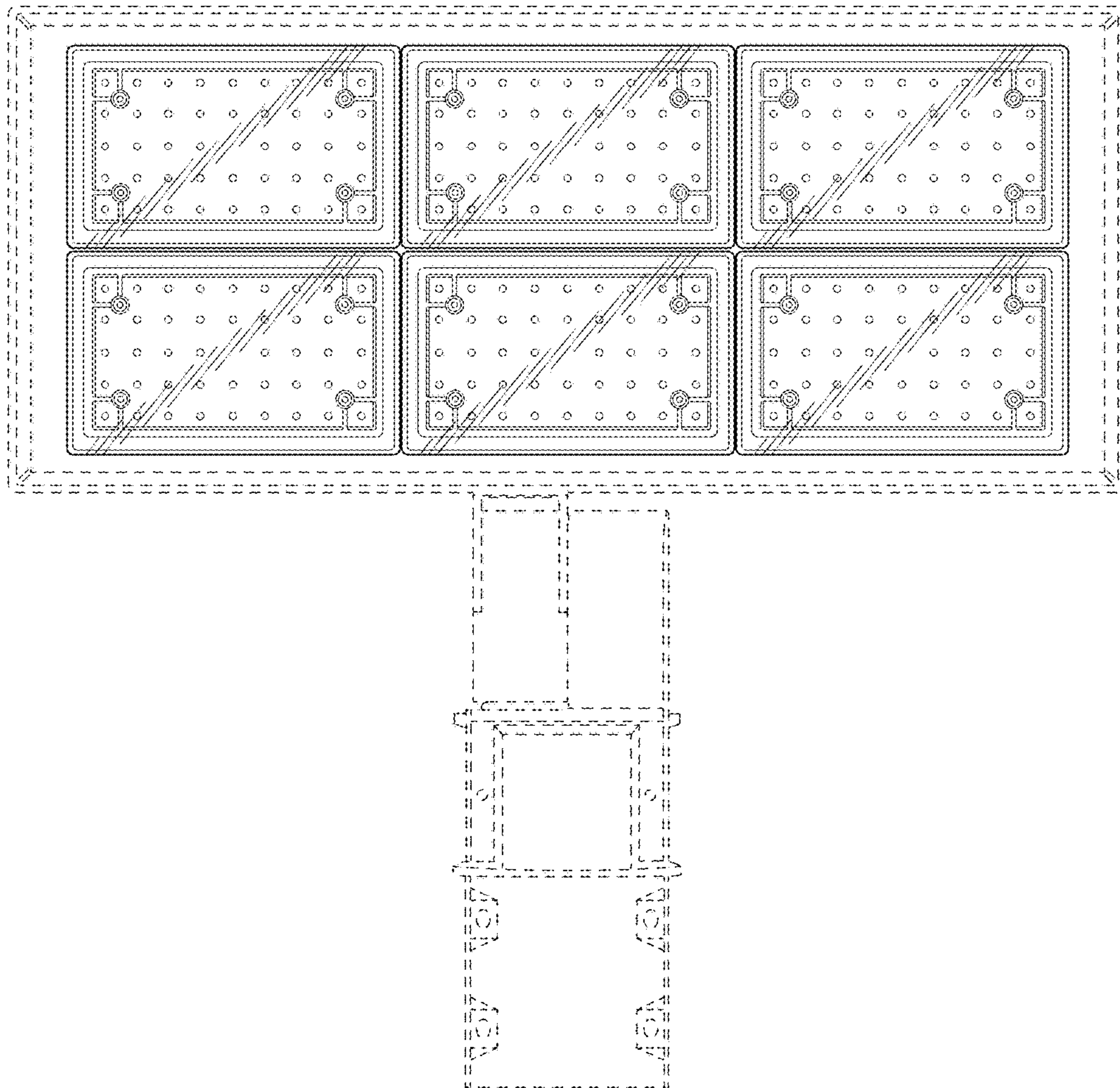


FIG. 32

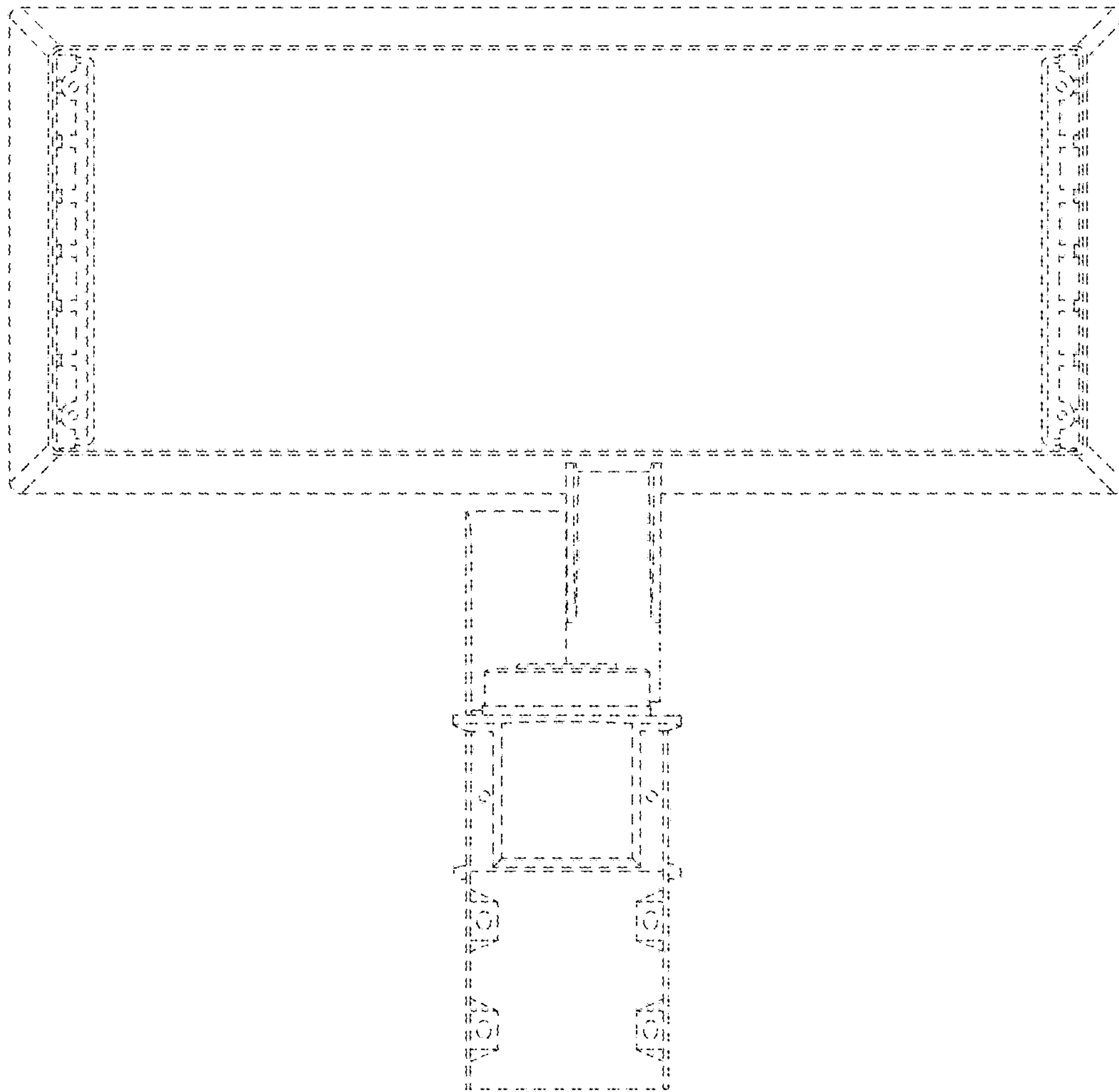


FIG. 33

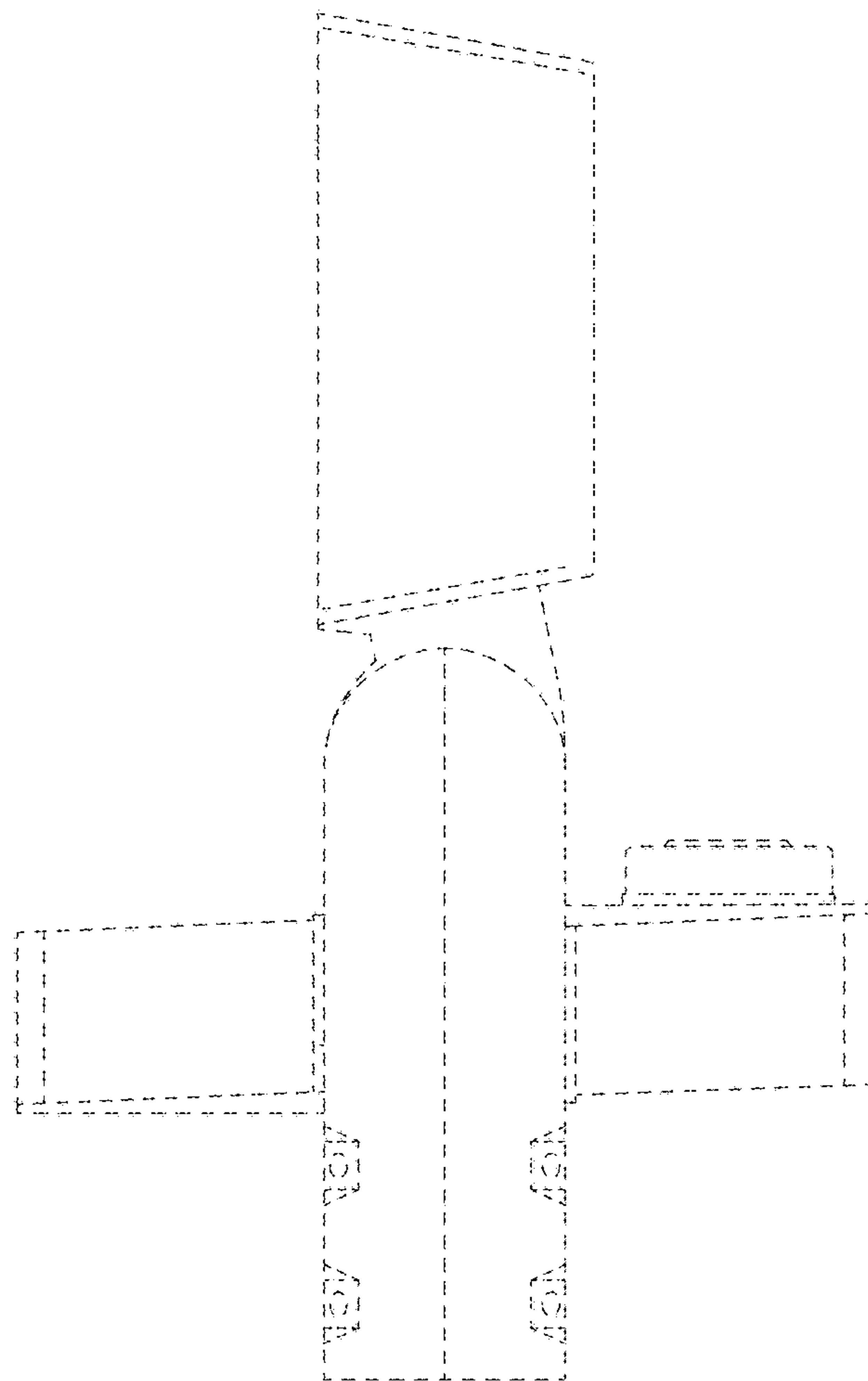


FIG. 34

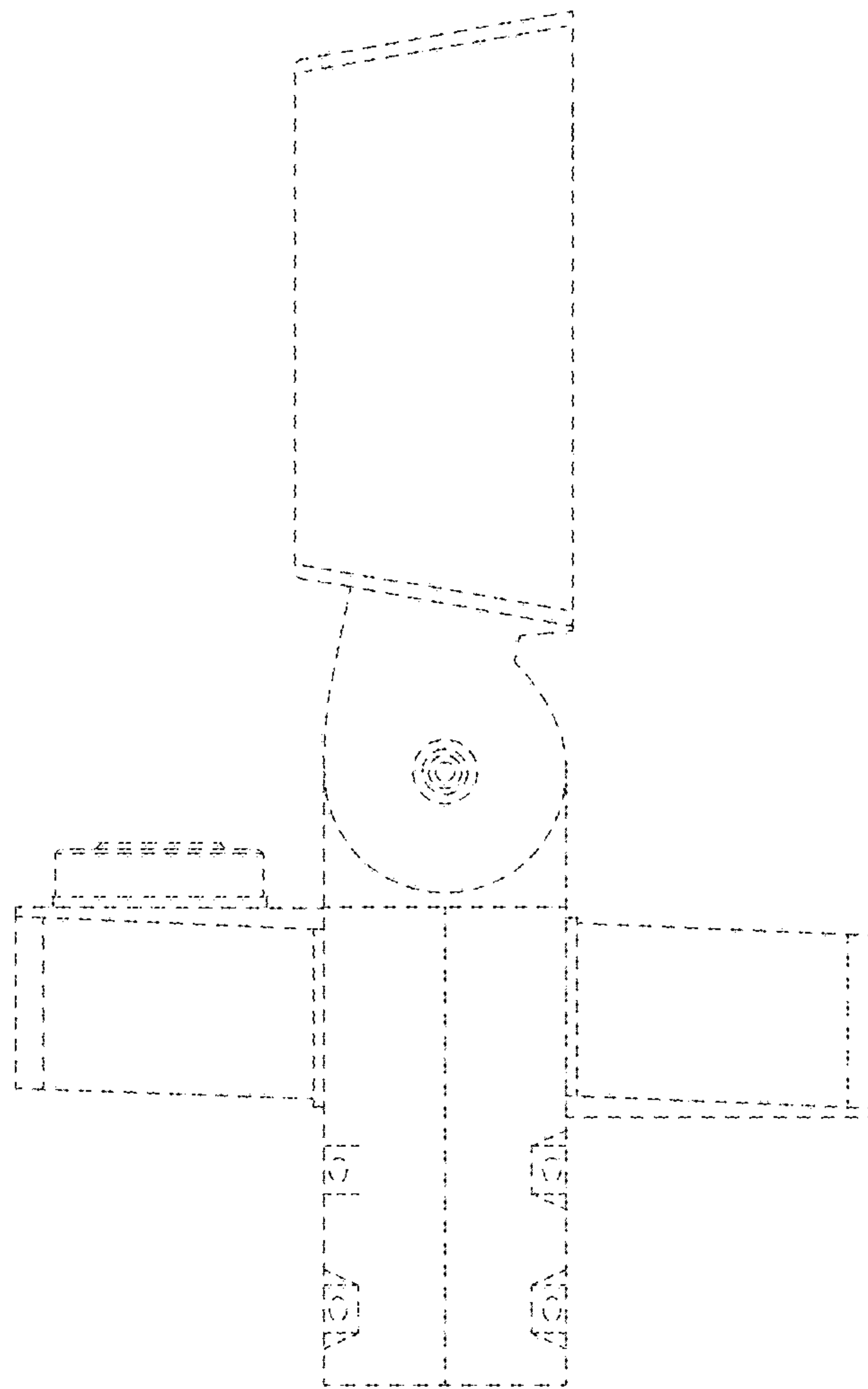


FIG. 35