



US00D861970S

(12) **United States Design Patent** (10) **Patent No.:** **US D861,970 S**
Chen et al. (45) **Date of Patent:** **** Oct. 1, 2019**

(54) **LIGHTING POD LENS**

(71) Applicant: **CHAUVET & SONS, LLC**, Sunrise, FL (US)

(72) Inventors: **Qing Feng Chen**, Guangzhou (CN); **An Min Zhao**, Guangzhou (CN)

(73) Assignee: **Chauvet & Sons, LLC**, Sunrise, FL (US)

(**) Term: **15 Years**

(21) Appl. No.: **29/645,293**

(22) Filed: **Apr. 25, 2018**

(51) **LOC (12) Cl.** **09-03**

(52) **U.S. Cl.**
USPC **D26/120; D26/124**

(58) **Field of Classification Search**
USPC D26/1, 2, 13, 24, 34, 35, 36, 40, 61, 63, D26/65, 69, 71, 76, 79, 82, 86, 120, 122, D26/123, 124, 143, 148, 149; D9/755, D9/756, 757; D7/501, 553.1, 553.3, D7/553.6
CPC F21V 5/08; F21V 5/077; F21V 7/0083; F21V 21/00; F21V 21/14; F21V 21/30; F21V 14/00; F21V 14/02; F21V 15/01; F21S 8/00; F21S 8/003; F21S 8/043
See application file for complete search history.

(56) **References Cited**

U.S. PATENT DOCUMENTS

D194,990 S * 4/1963 Thomasson D26/123
6,587,618 B2 * 7/2003 Raguin G02B 6/322
385/33
D539,943 S * 4/2007 Egawa D26/24
D539,944 S * 4/2007 Egawa D26/24
7,315,503 B2 * 1/2008 Cho G02B 26/0841
369/112.26

7,354,167 B2 * 4/2008 Cho G02B 5/09
359/291
D626,255 S * 10/2010 Hiratsuka D26/1
D629,961 S * 12/2010 Little, Jr. D26/120
D634,884 S * 3/2011 Yoshinobu D26/123
D672,915 S * 12/2012 Toft D26/123
D683,493 S * 5/2013 Villamizar D26/124
D712,087 S * 8/2014 Kjaergaard Toft D26/123
10,057,451 B2 * 8/2018 Kim G03B 15/14
D845,530 S * 4/2019 Yu D26/63
2015/0092267 A1 * 4/2015 Park G02B 27/2214
359/463
2015/0131034 A1 * 5/2015 Cho G02B 3/0018
349/95
2016/0195237 A1 * 7/2016 Quadri F21V 5/007
362/232
2016/0204087 A1 * 7/2016 Zhang H01L 25/0753
438/27

* cited by examiner

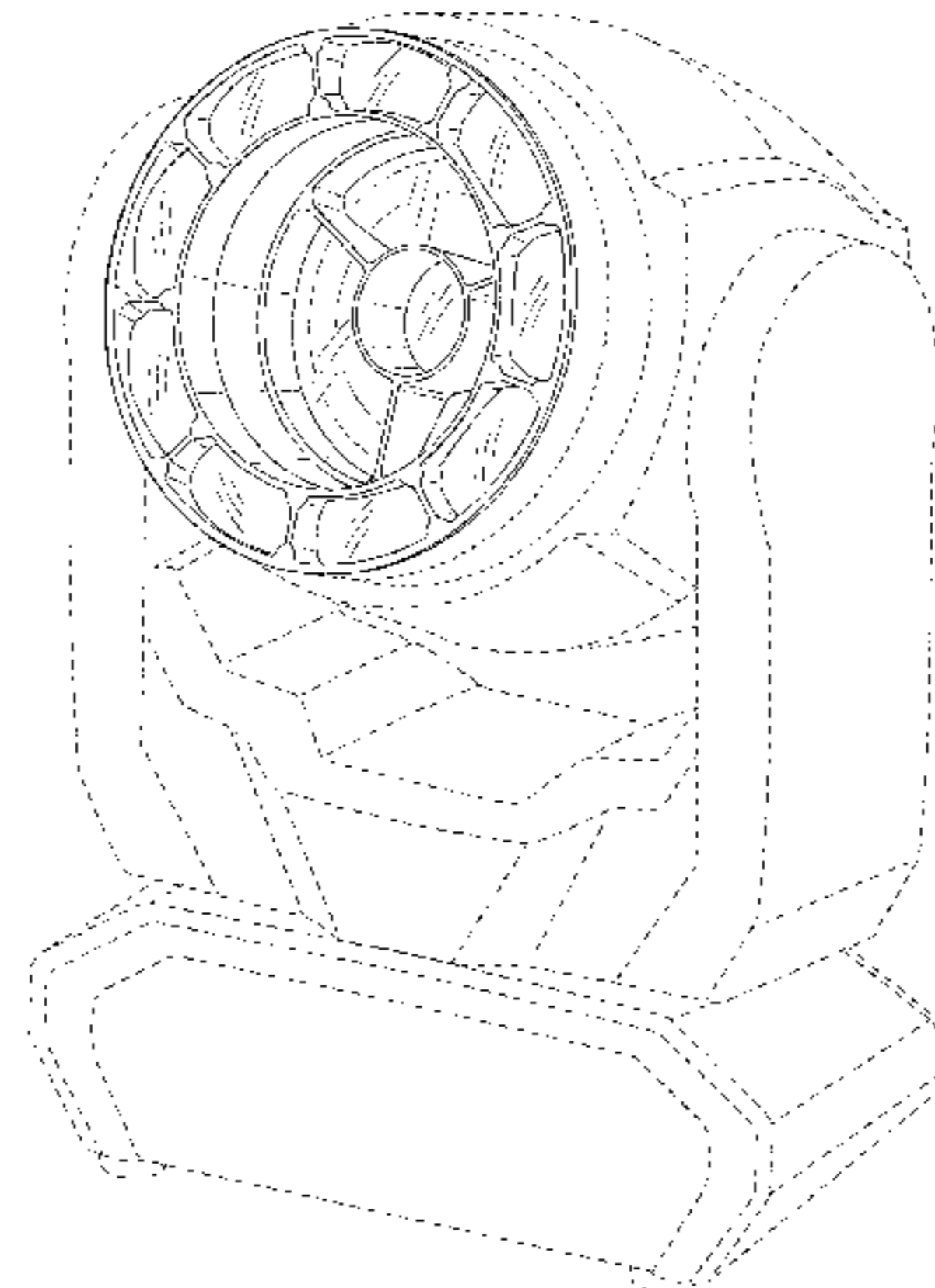
Primary Examiner — Wan Laymon
Assistant Examiner — Clint A Samuel
 (74) *Attorney, Agent, or Firm* — Laurence A. Greenberg;
 Werner H. Stemer; Ralph E. Locher

(57) **CLAIM**
 The ornamental design for a lighting pod lens, as shown and described.

DESCRIPTION

FIG. 1 is a front, side perspective view of a lighting pod lens with an outer ring zoomed out from an inner lens showing our new design.
 FIG. 2 is a bottom, perspective view thereof;
 FIG. 3 is top, front perspective view thereof;
 FIG. 4 is a bottom perspective view where the outer lens is flush with the inner lens; and,
 FIG. 5 is a top perspective view where the outer lens is flush with the inner lens.
 The broken lines depict environmental structure of the lighting pod lens and do not form any part of the claim.

1 Claim, 5 Drawing Sheets



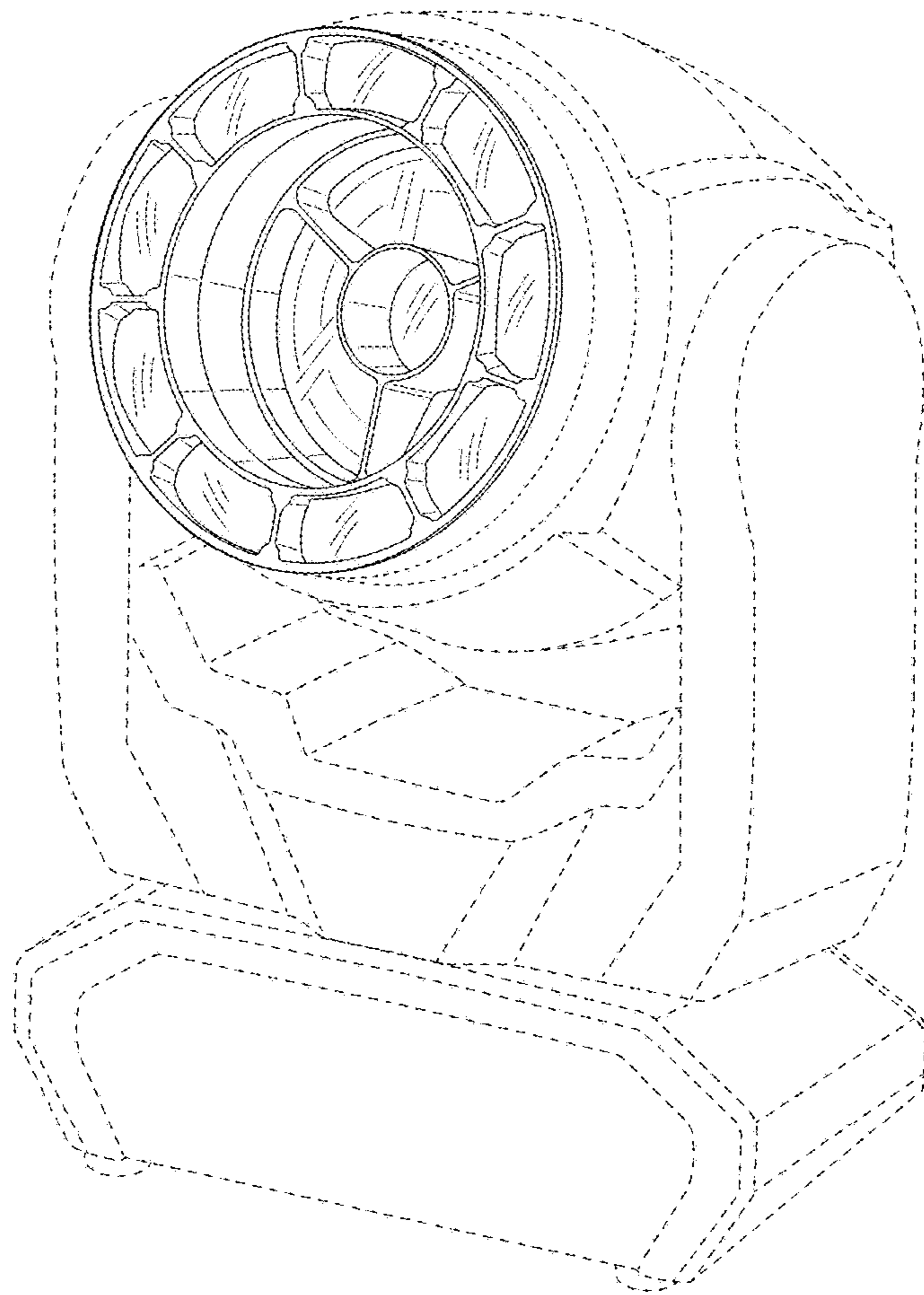


FIG. 1

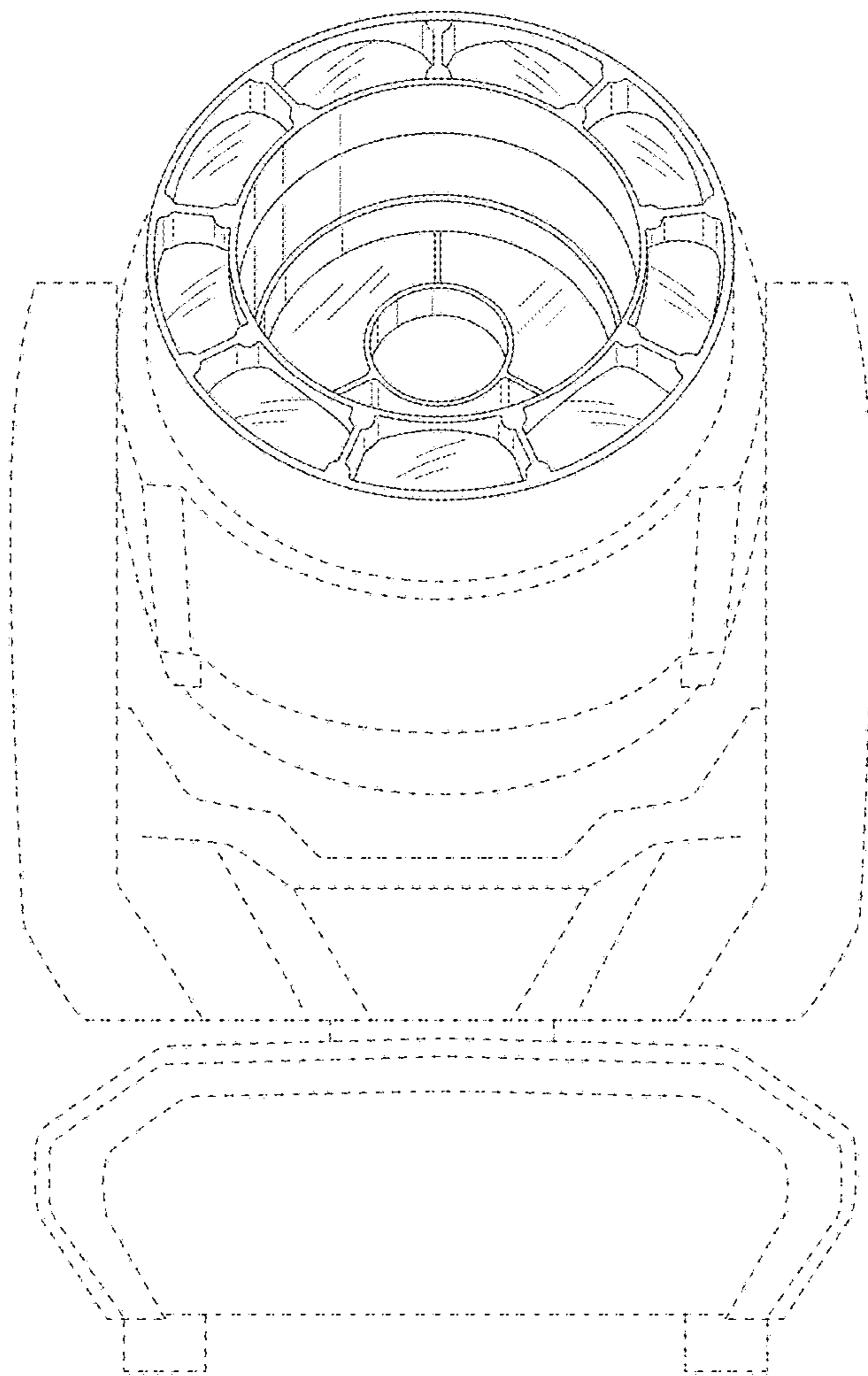


FIG. 2

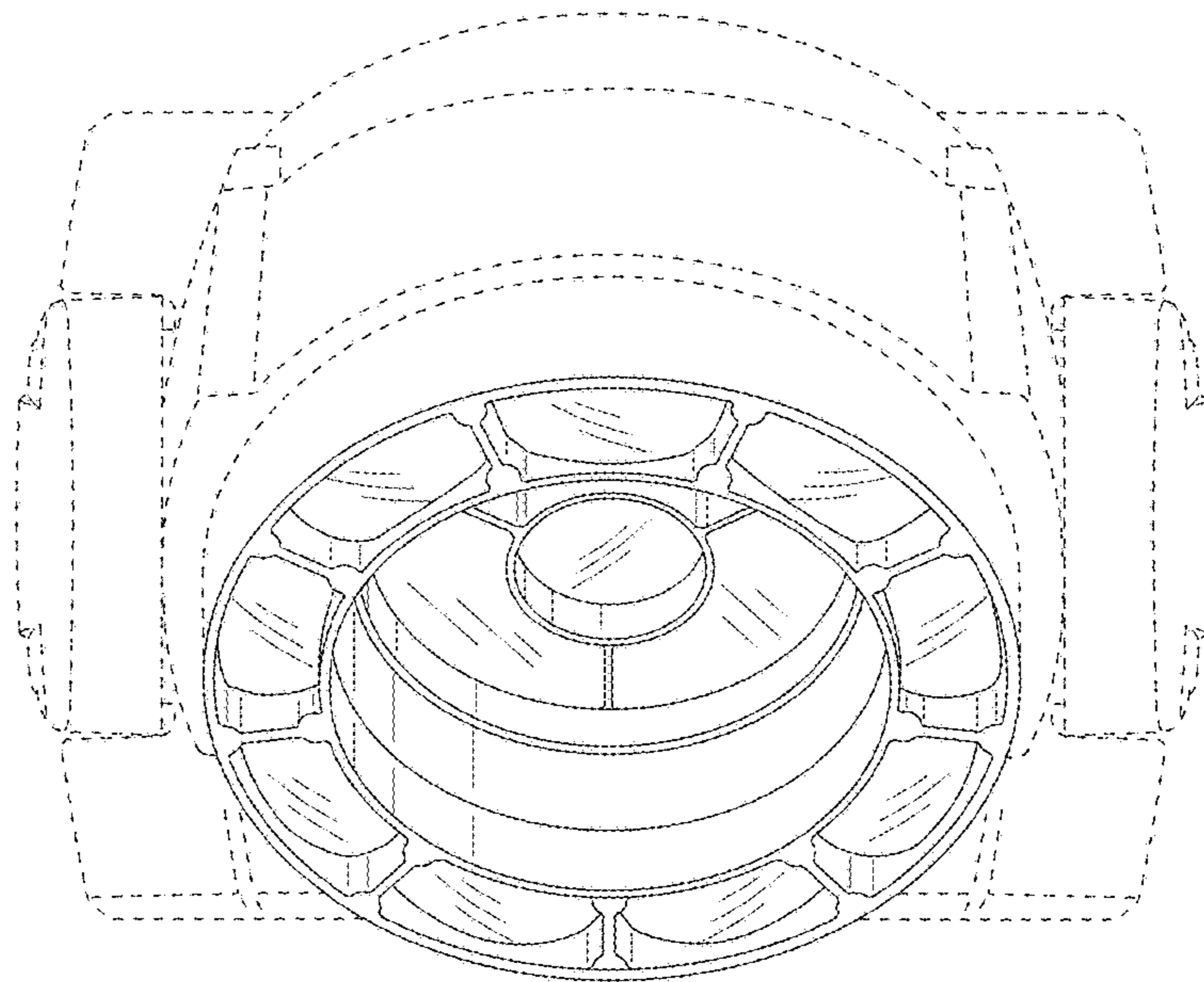


FIG. 3

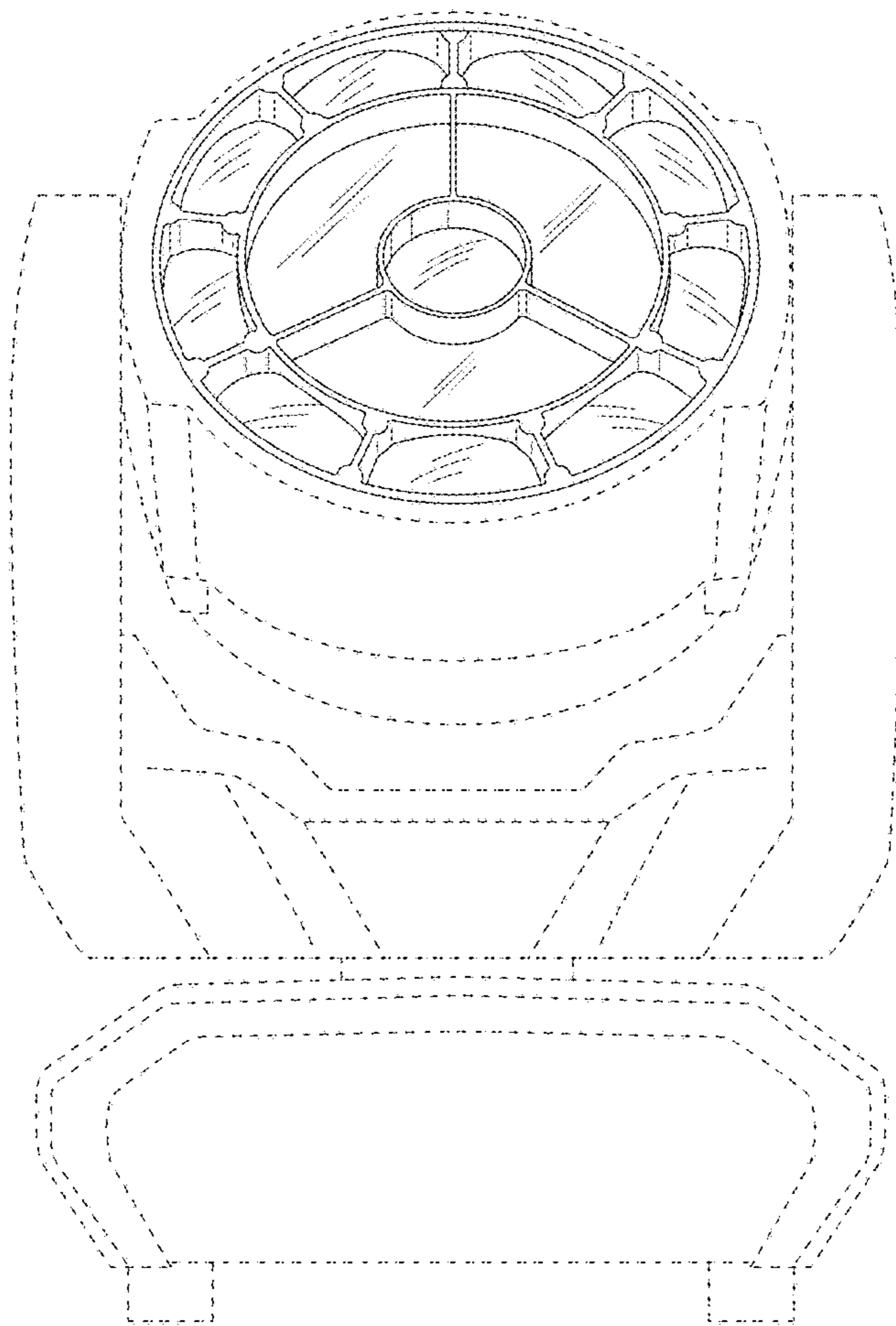


FIG. 4

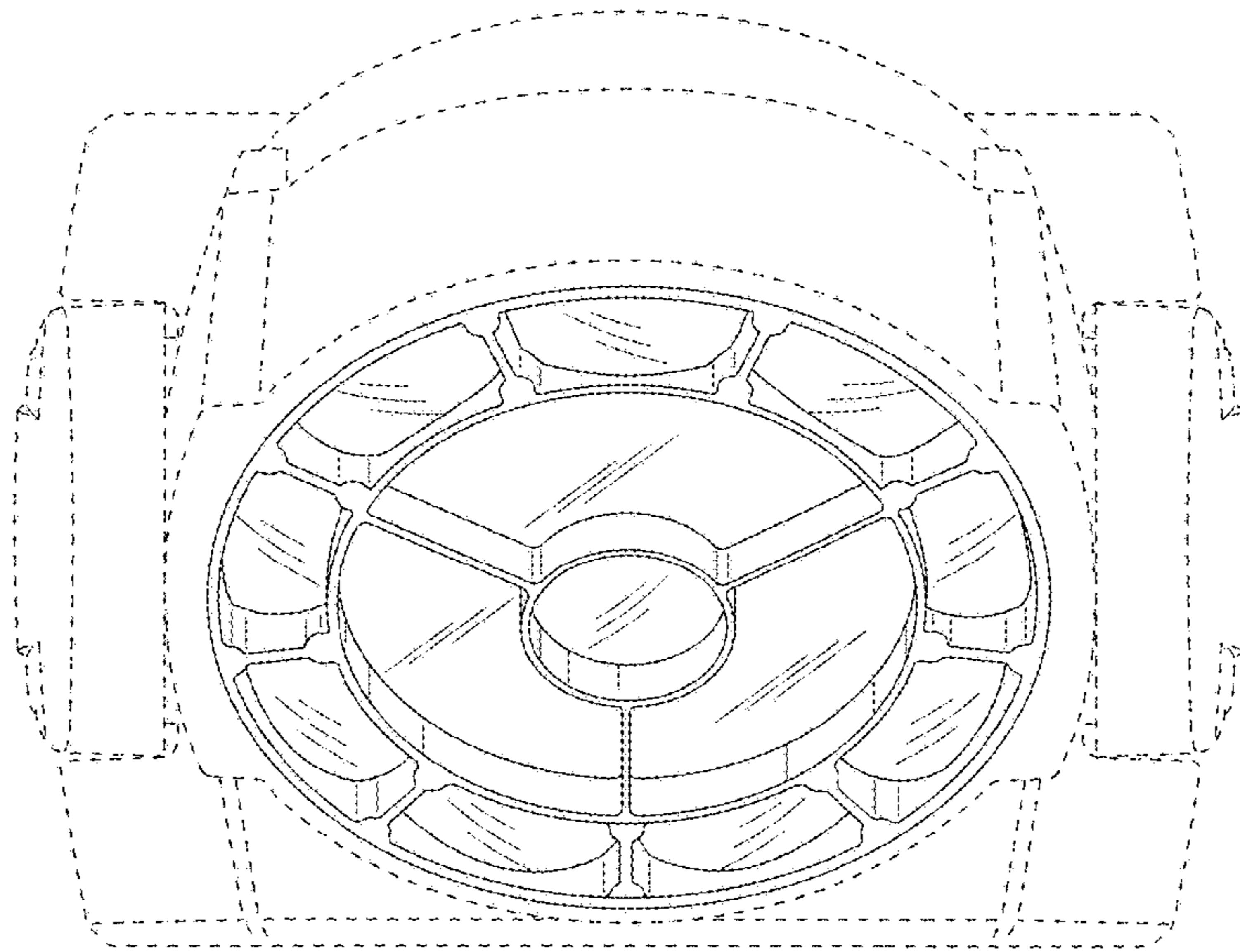


FIG. 5