



US00D861969S

(12) **United States Design Patent**  
**van der Haak**

(10) **Patent No.:** **US D861,969 S**

(45) **Date of Patent:** **\*\* Oct. 1, 2019**

(54) **LIGHTING SHROUD**

(71) Applicant: **G.P.M. van der Haak**, Haarlem (NE)

(72) Inventor: **G.P.M. van der Haak**, Haarlem (NE)

(\*\*) Term: **15 Years**

(21) Appl. No.: **29/618,191**

(22) Filed: **Sep. 19, 2017**

(51) **LOC (12) Cl.** ..... **26-99**

(52) **U.S. Cl.**  
USPC ..... **D26/118**

(58) **Field of Classification Search**  
USPC ..... D26/113, 118-120, 124, 128, 130-131,  
D26/135, 137-138, 140, 142  
CPC ..... F21S 2/00; F21S 6/00; F21S 4/00; F21S  
4/003; F21S 4/005; F21S 4/006; F21S  
4/007; F21S 4/008; F21S 8/00; F21S  
8/024; F21S 8/026; F21S 8/031; F21S  
8/033; F21S 8/035-037; F21S 8/04; F21S  
8/043; F21S 8/063  
See application file for complete search history.

(56) **References Cited**

**U.S. PATENT DOCUMENTS**

D539,459 S \* 3/2007 Benghozi ..... D26/128  
D568,528 S \* 5/2008 Hood ..... D26/119  
D574,993 S \* 8/2008 Silver ..... D26/128

D668,373 S \* 10/2012 Martin ..... D26/128  
D679,048 S \* 3/2013 White ..... D26/128  
D764,097 S \* 8/2016 Hamel ..... D26/128  
D790,120 S \* 6/2017 Sonneman ..... D26/128  
D835,836 S \* 12/2018 Furman ..... D26/128  
D844,219 S \* 3/2019 Reid ..... D26/135

\* cited by examiner

*Primary Examiner* — Brian N. Vinson

(74) *Attorney, Agent, or Firm* — QuickPatents; Kevin Prince

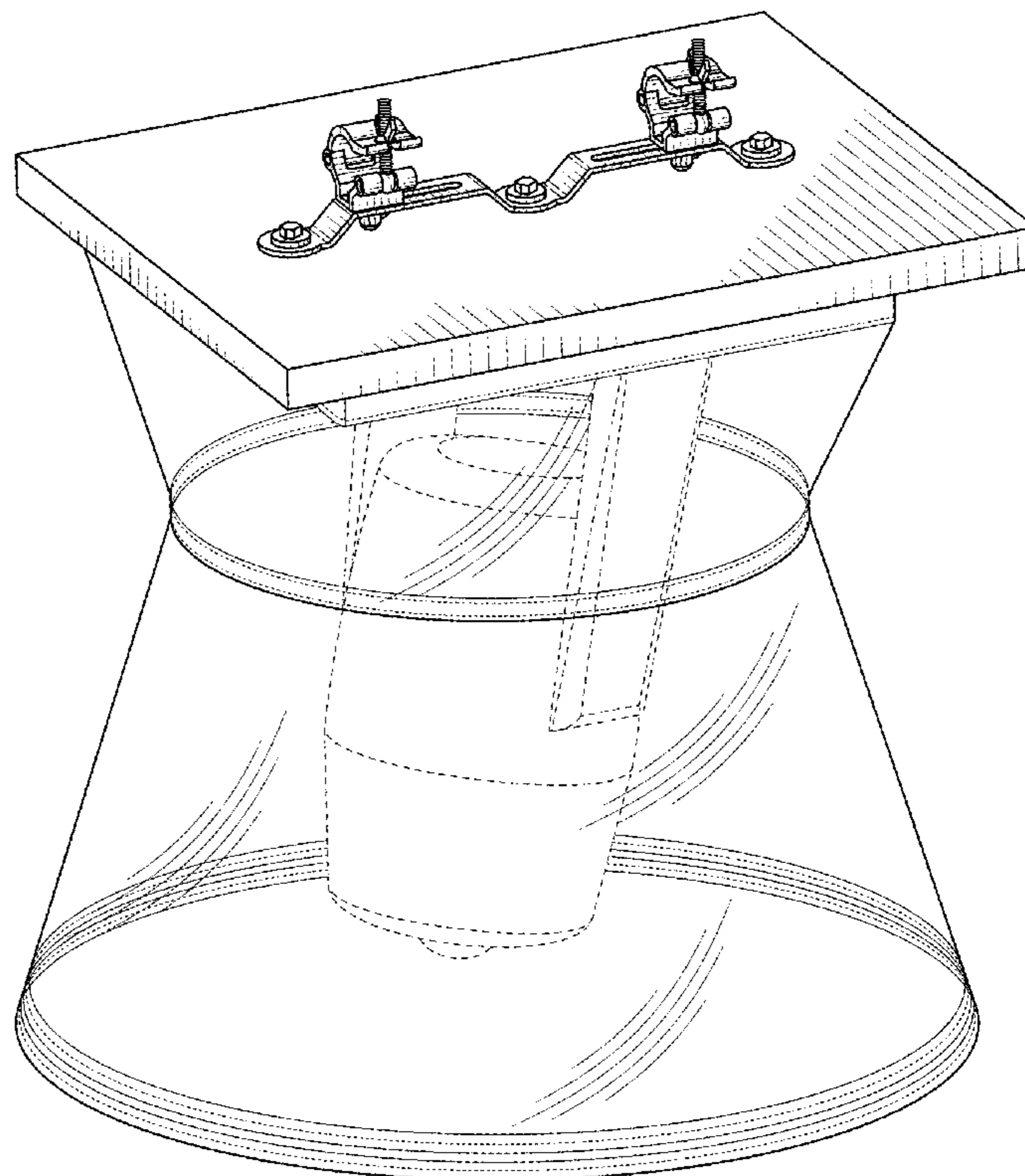
(57) **CLAIM**

I claim the ornamental design for a lighting shroud, as shown and described.

**DESCRIPTION**

FIG. 1 is a front perspective view of a lighting shroud, showing my new design;  
FIG. 2 is a right-side elevational view thereof, the left-side elevational view being a mirror image thereof;  
FIG. 3 is a front elevational view thereof;  
FIG. 4 is a rear elevational view thereof;  
FIG. 5 is a top plan view thereof;  
FIG. 6 is a bottom plan view thereof;  
FIG. 7 is an alternate front perspective view thereof; and,  
FIG. 8 is a rear perspective view thereof.  
The broken lines showing a bracket in FIG. 6 and a light figures in FIG. 7 depict environmental matter and form no part of the claimed design. The remaining broken lines represent stitching, and are part of the claimed design.

**1 Claim, 6 Drawing Sheets**



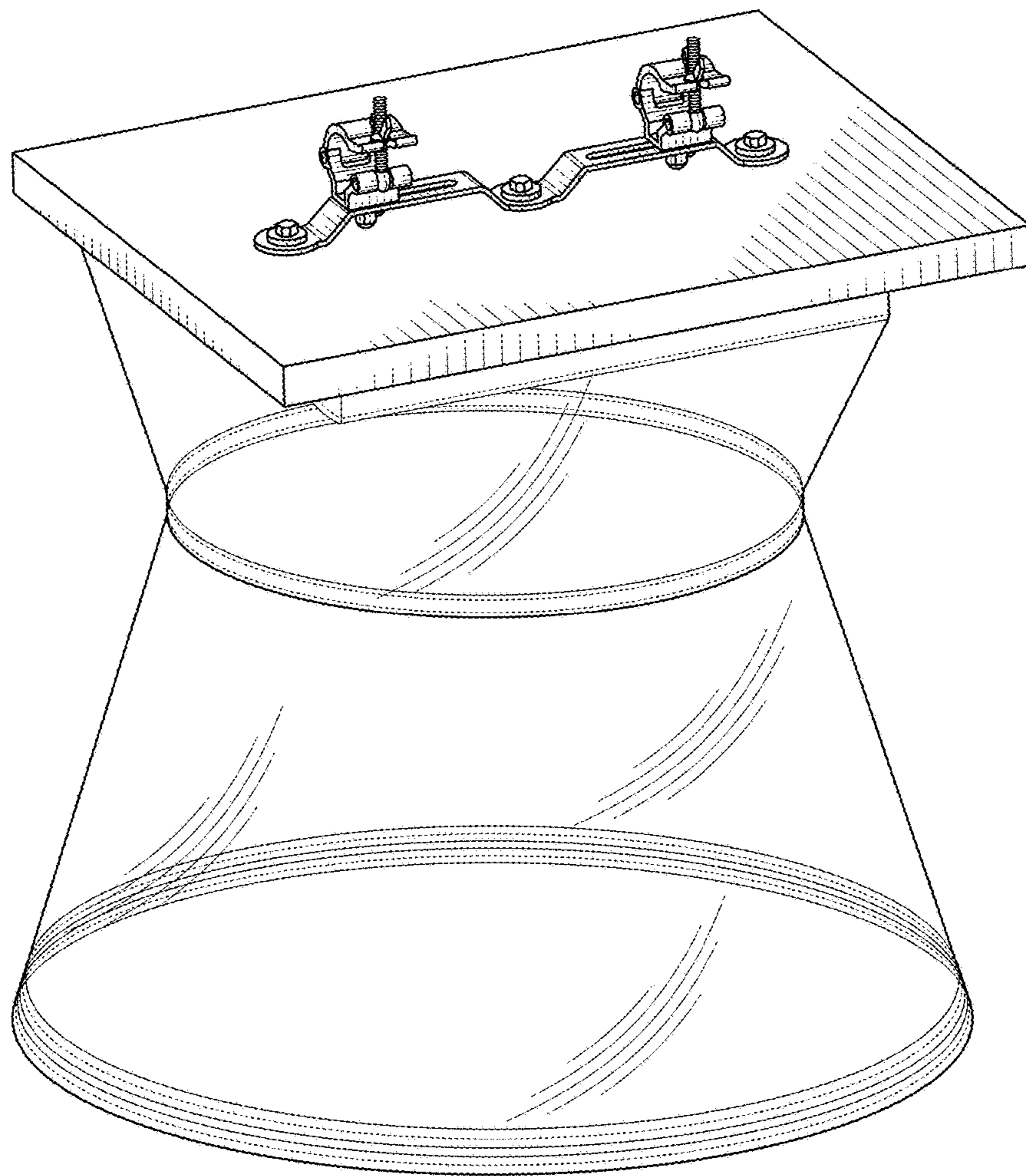


FIG. 1

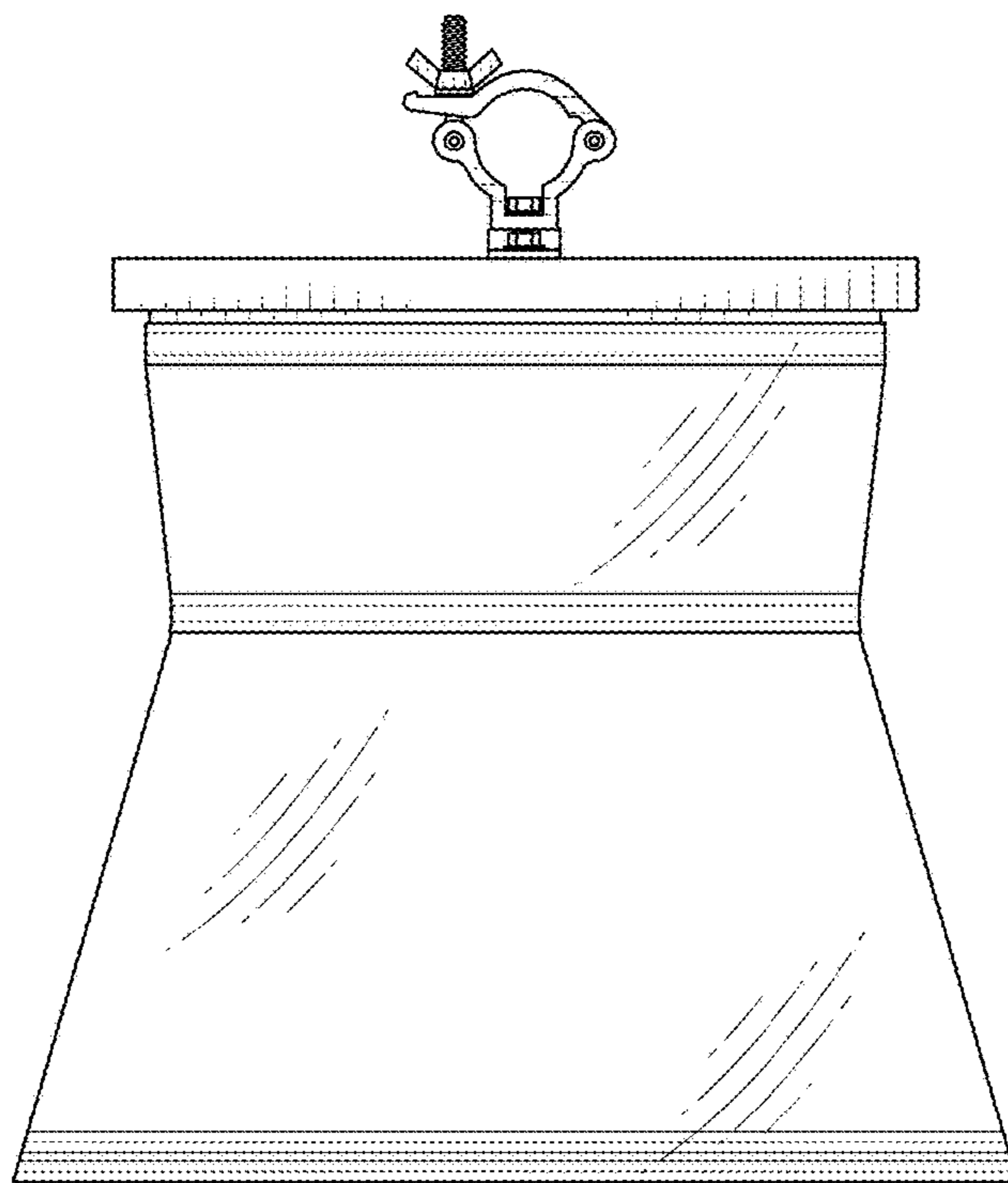


FIG. 2

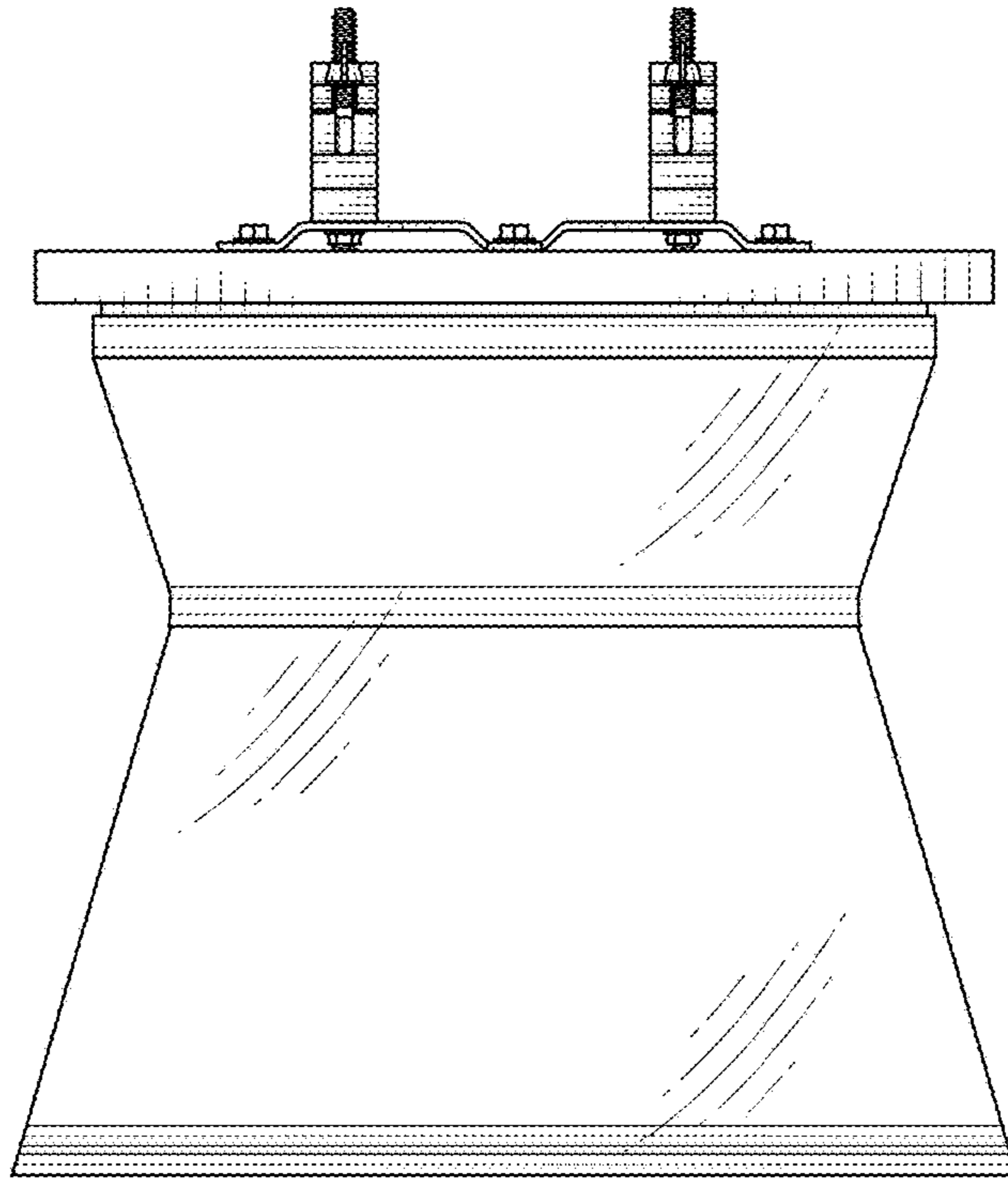


FIG. 3

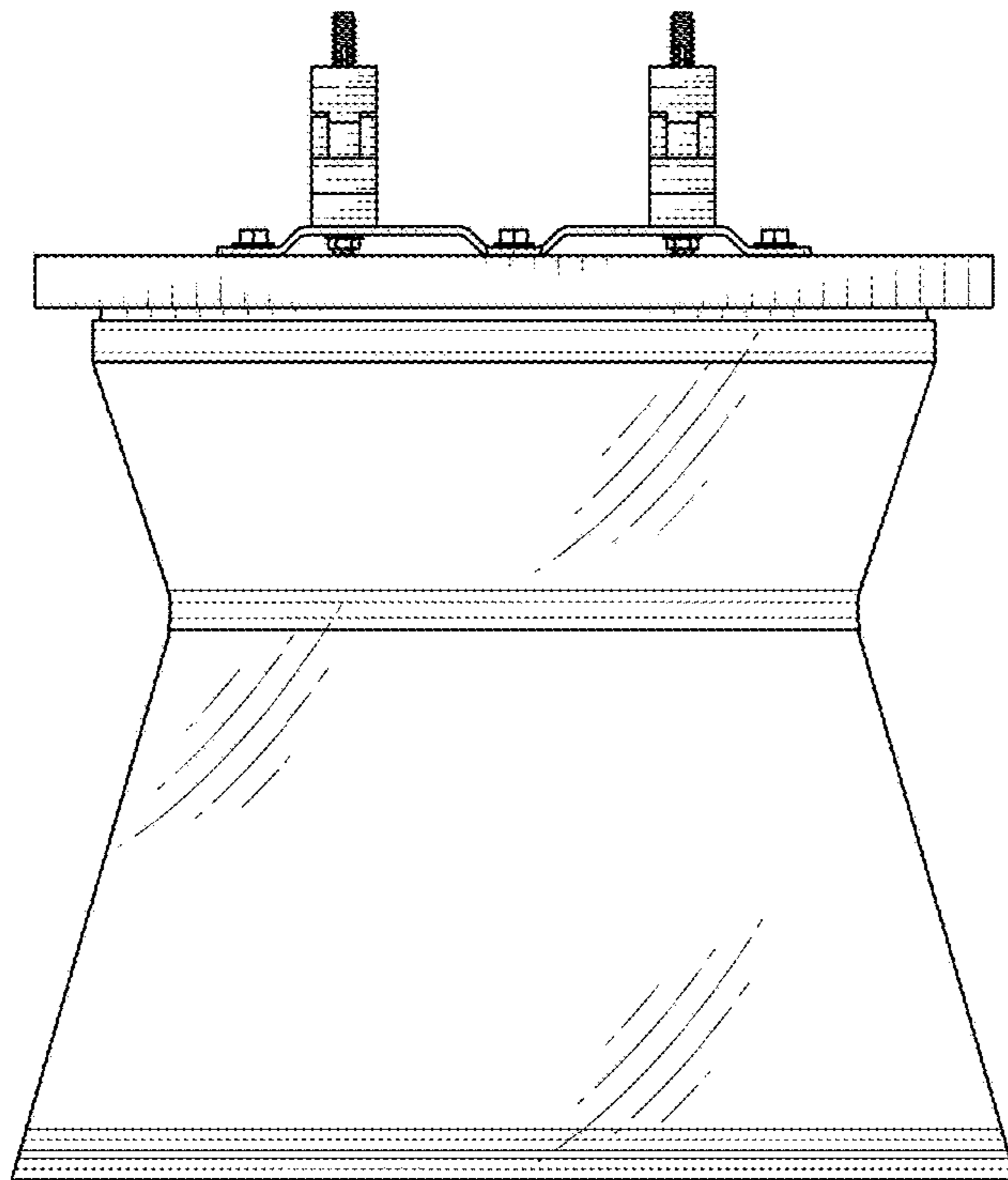


FIG. 4



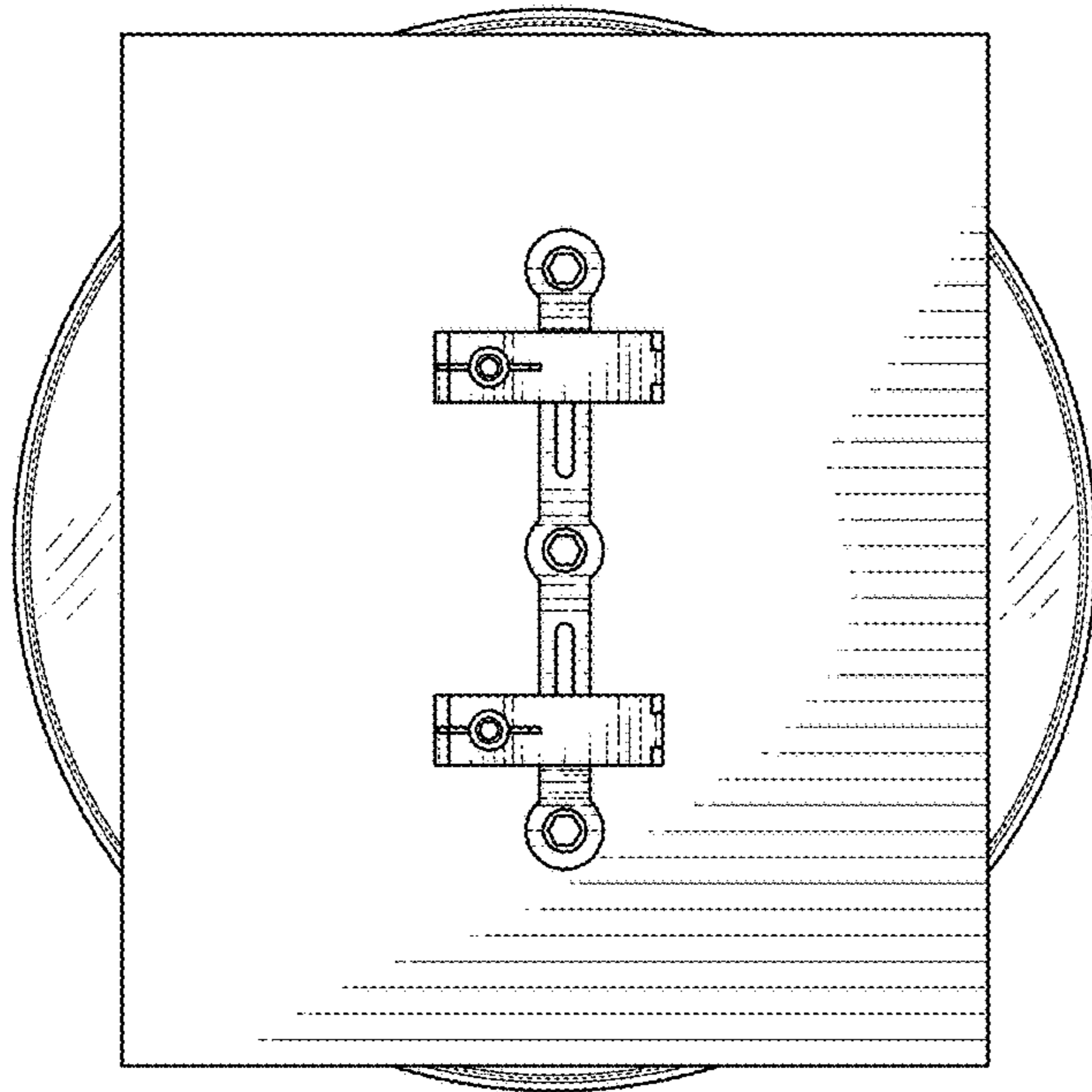


FIG. 5

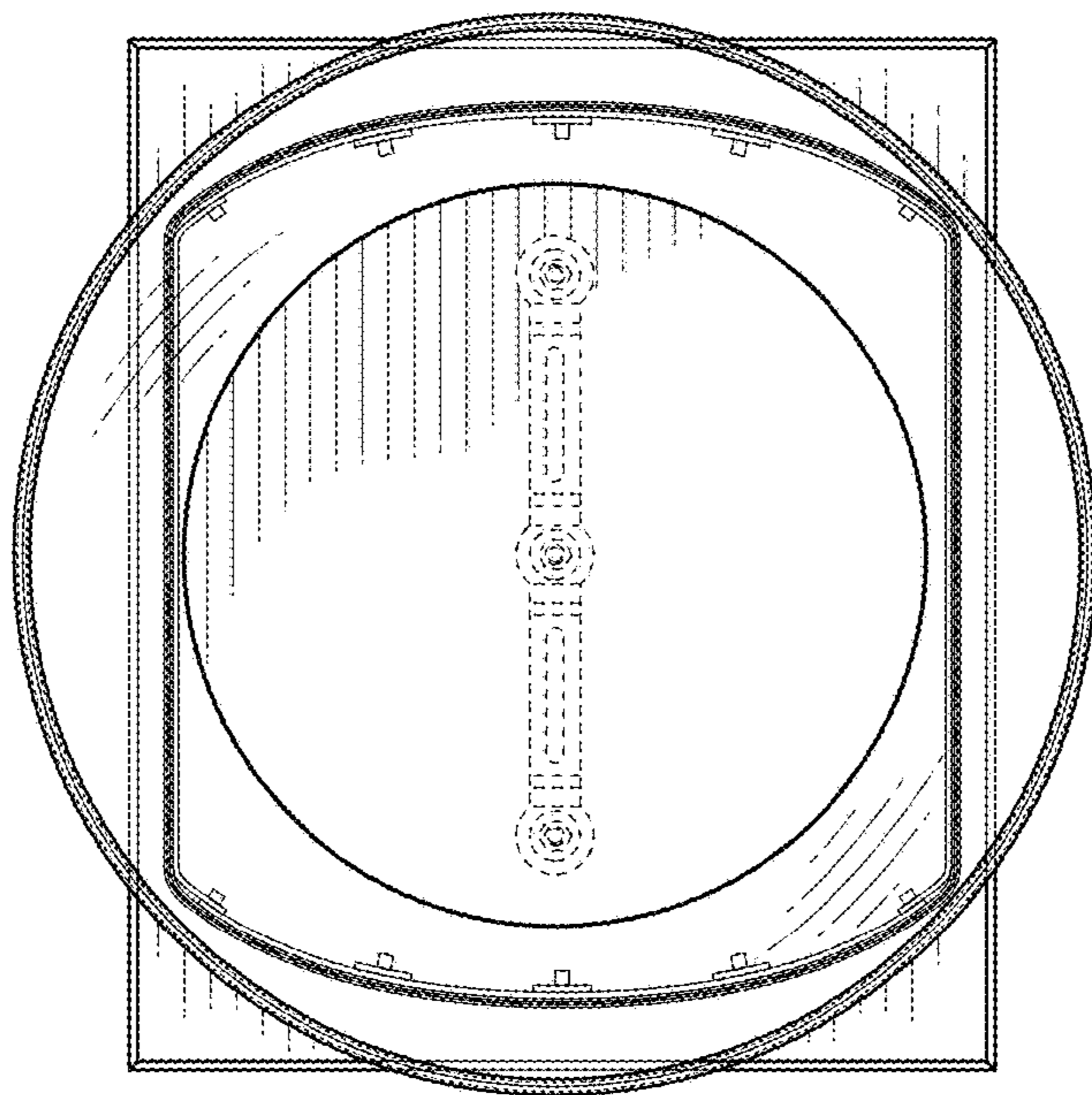


FIG. 6

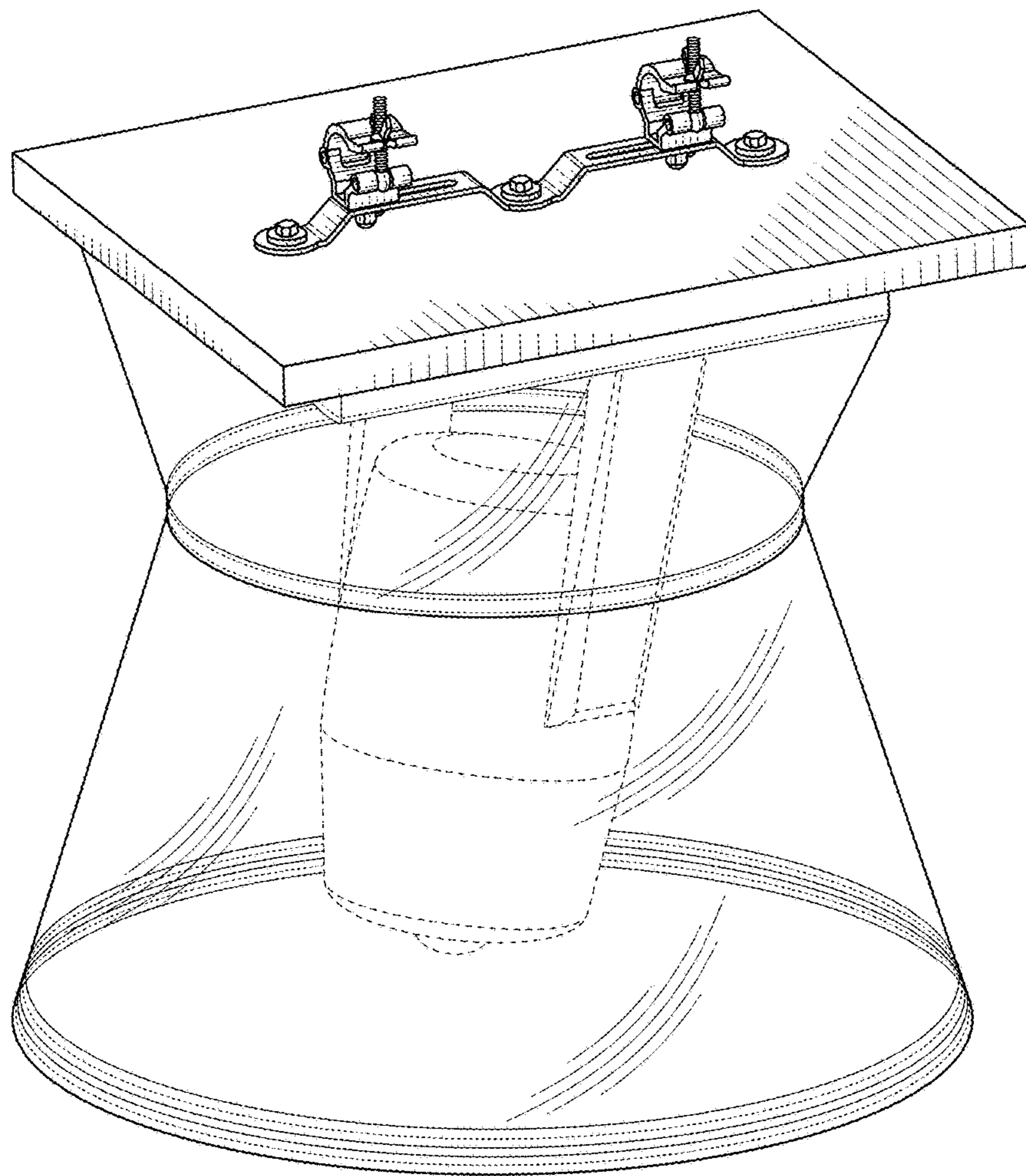


FIG. 7

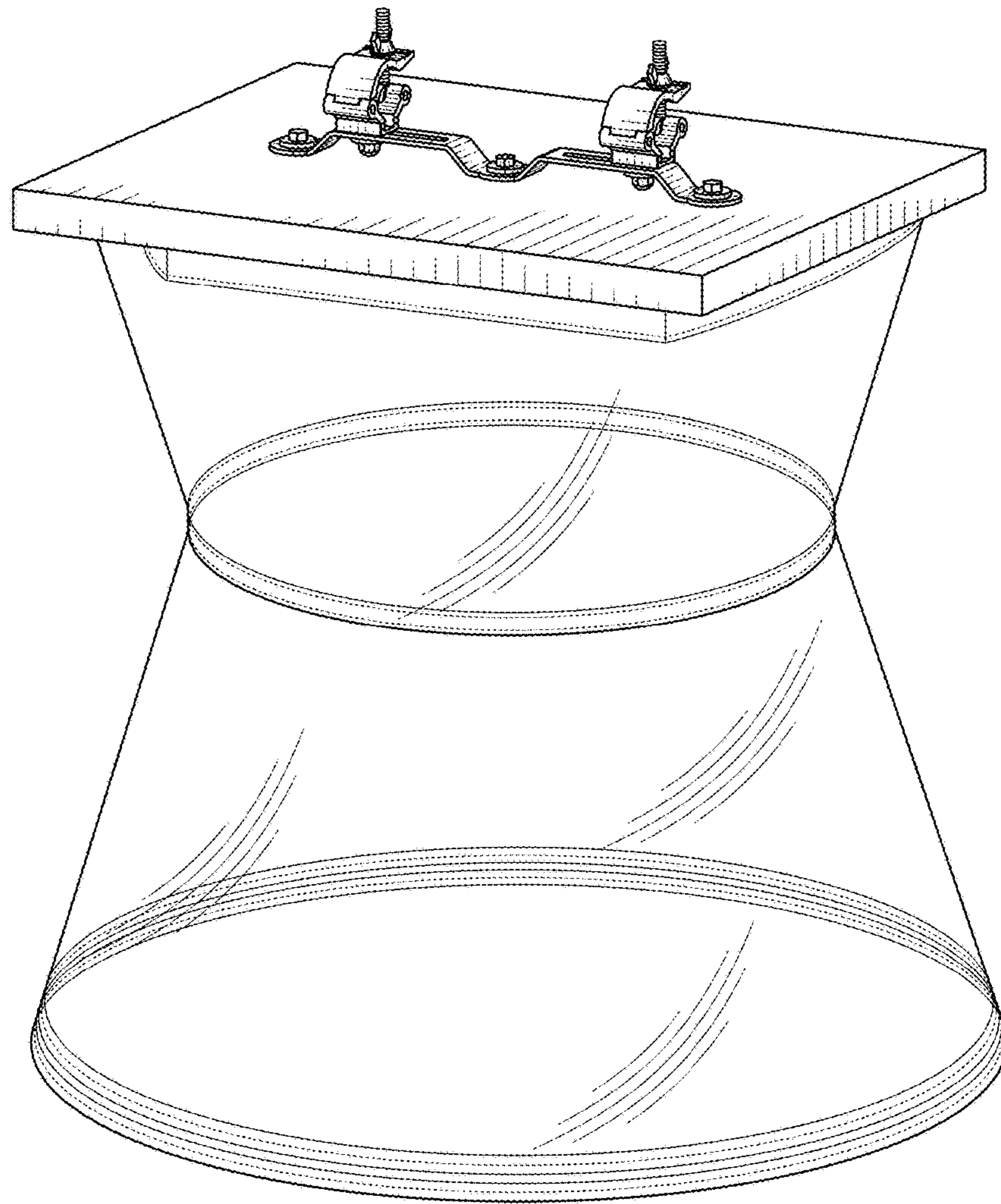


FIG. 8