



US00D861967S

(12) **United States Design Patent**
Lin

(10) **Patent No.:** **US D861,967 S**

(45) **Date of Patent:** **** Oct. 1, 2019**

(54) **STARRY SKY PROJECTOR LAMP**

(71) Applicant: **Ruikun Lin**, Shantou (CN)

(72) Inventor: **Ruikun Lin**, Shantou (CN)

(**) Term: **15 Years**

(21) Appl. No.: **29/692,313**

(22) Filed: **May 24, 2019**

(51) **LOC (12) Cl.** **26-03**

(52) **U.S. Cl.**
USPC **D26/110**

(58) **Field of Classification Search**
USPC D26/1, 24, 104, 105, 106, 108, 110, 111,
D26/112, 118, 124, 93; D11/131, 157,
D11/184, 121, 125
CPC .. A63H 13/00; F21S 6/00; F21S 6/002; F21S
10/00; F21V 3/00; F21V 3/0418; F21V
15/00; F21V 21/02; F21V 31/00; F21W
2121/00; F21W 2131/30
See application file for complete search history.

(56) **References Cited**

U.S. PATENT DOCUMENTS

D379,550 S * 5/1997 Kuo D26/118
D689,221 S * 9/2013 Isaac D26/24

D792,012 S 7/2017 Arneson
D792,013 S 7/2017 MeHugh
D803,467 S * 11/2017 Zahn D26/106
D807,566 S * 1/2018 Duarte D26/110
D812,797 S 3/2018 Kartell
D814,686 S * 4/2018 Chen D26/110

* cited by examiner

Primary Examiner — Brian N. Vinson

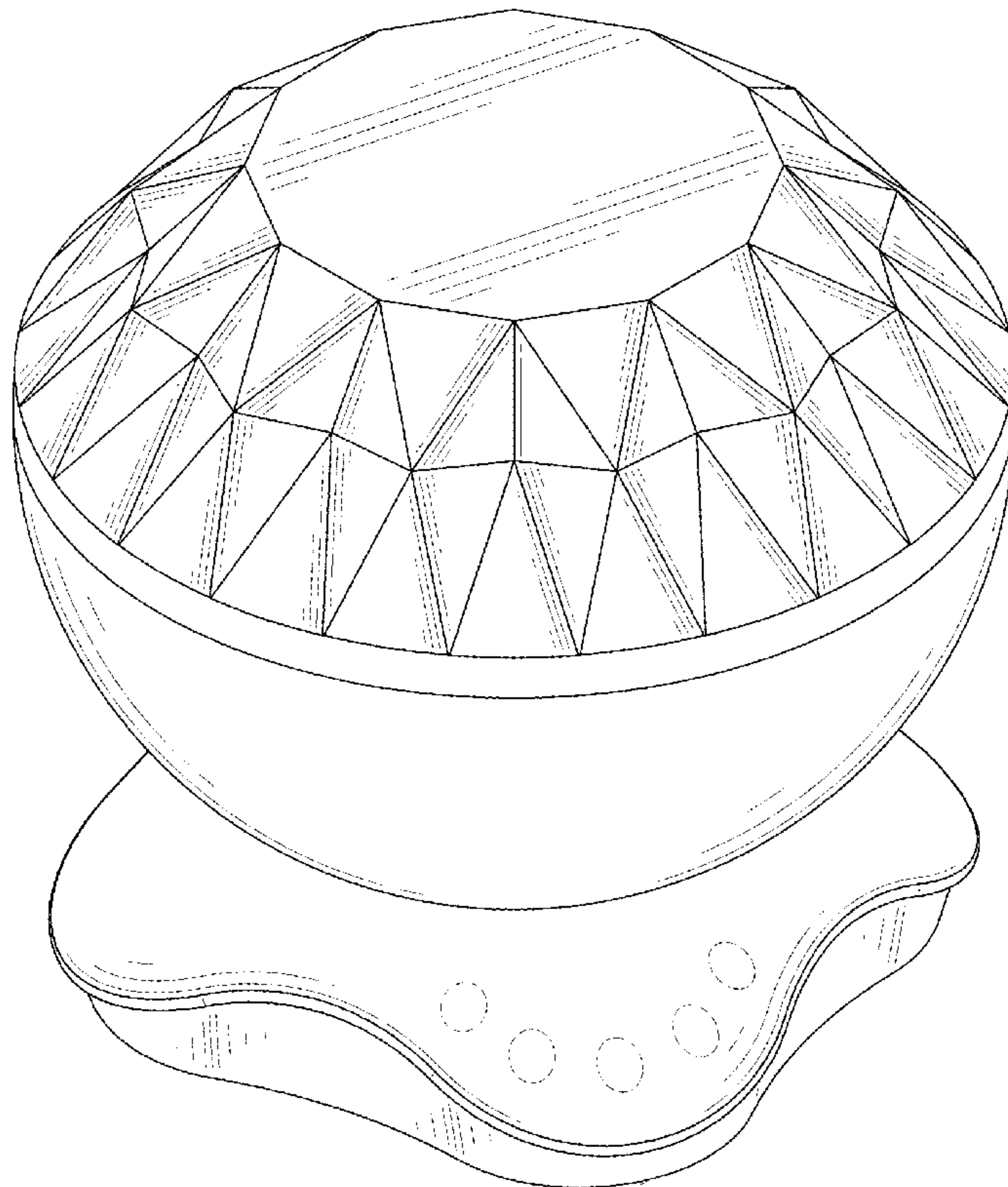
(57) **CLAIM**

The ornamental design for a starry sky projector lamp, as shown and described.

DESCRIPTION

FIG. 1 is a first perspective view of a starry sky projector lamp showing my design;
FIG. 2 is a second perspective view thereof;
FIG. 3 is a front view thereof;
FIG. 4 is a back view thereof;
FIG. 5 is a left side view thereof;
FIG. 6 is a right side view thereof;
FIG. 7 is a top view thereof;
FIG. 8 is a bottom view thereof; and,
FIG. 9 is a perspective view of another state of the starry sky projector lamp thereof.
The broken lines shown in the drawings depict portions of the starry sky projector lamp in which the design is embodied that form no part of the claimed design.

1 Claim, 9 Drawing Sheets



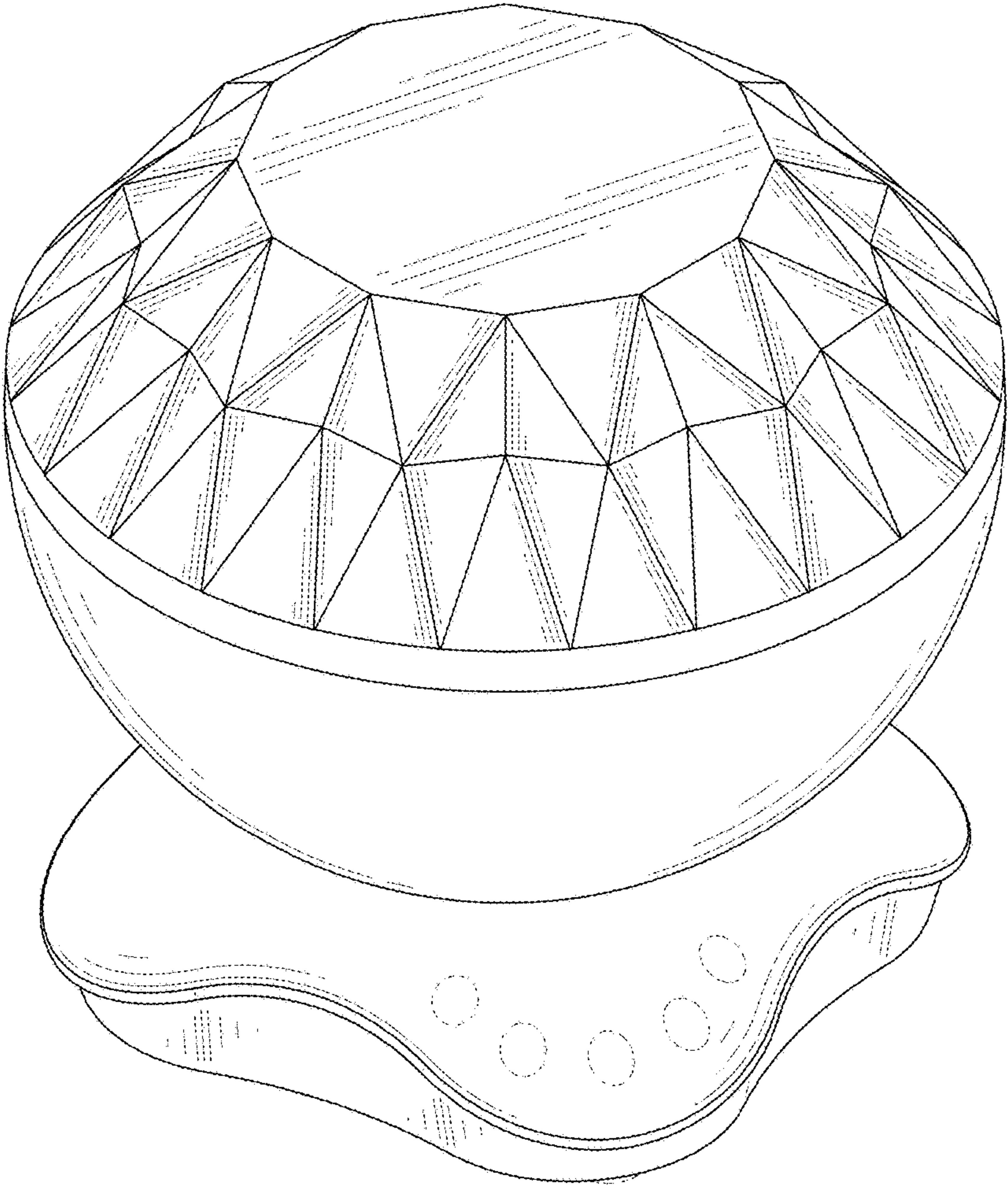


FIG. 1

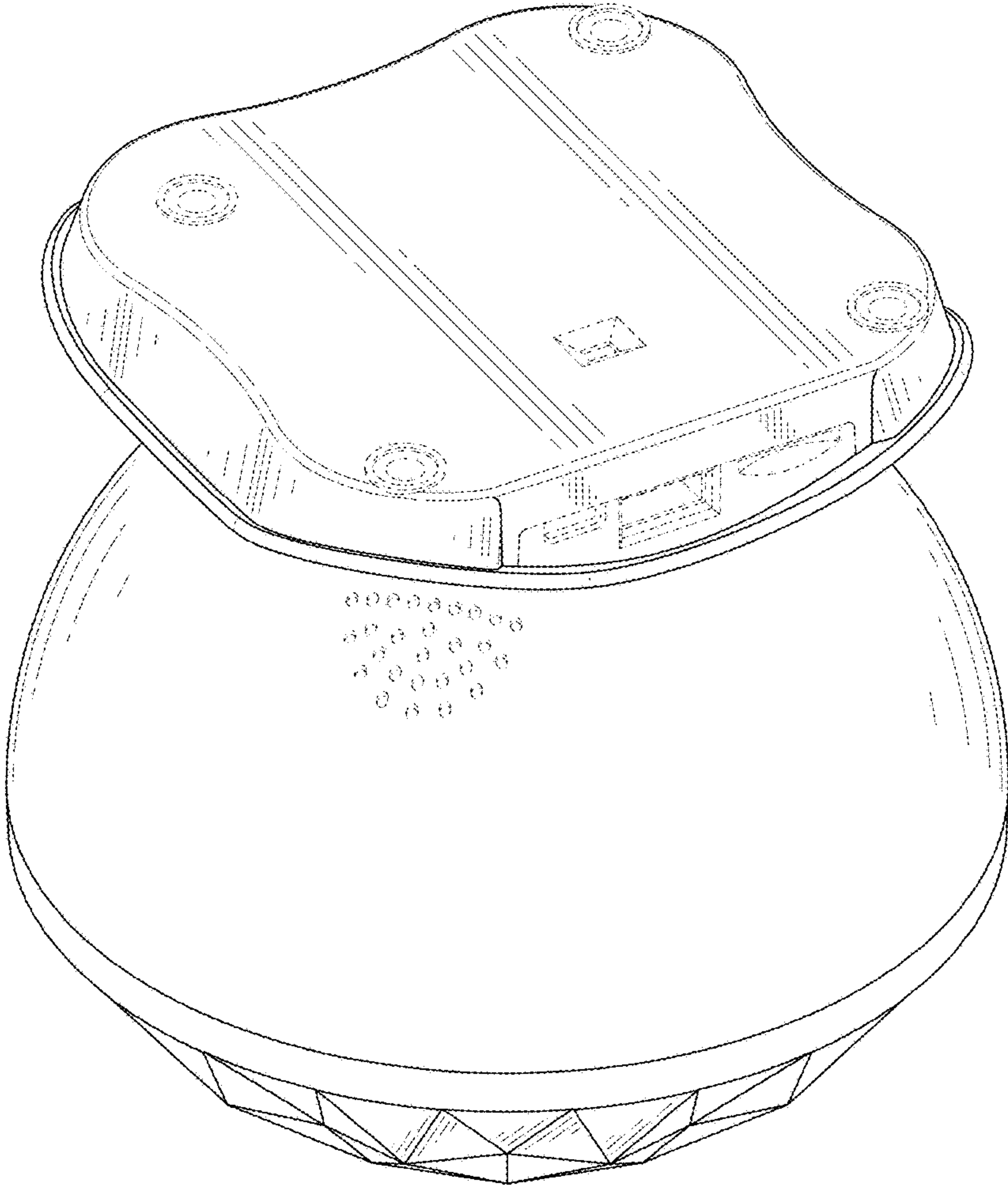


FIG. 2

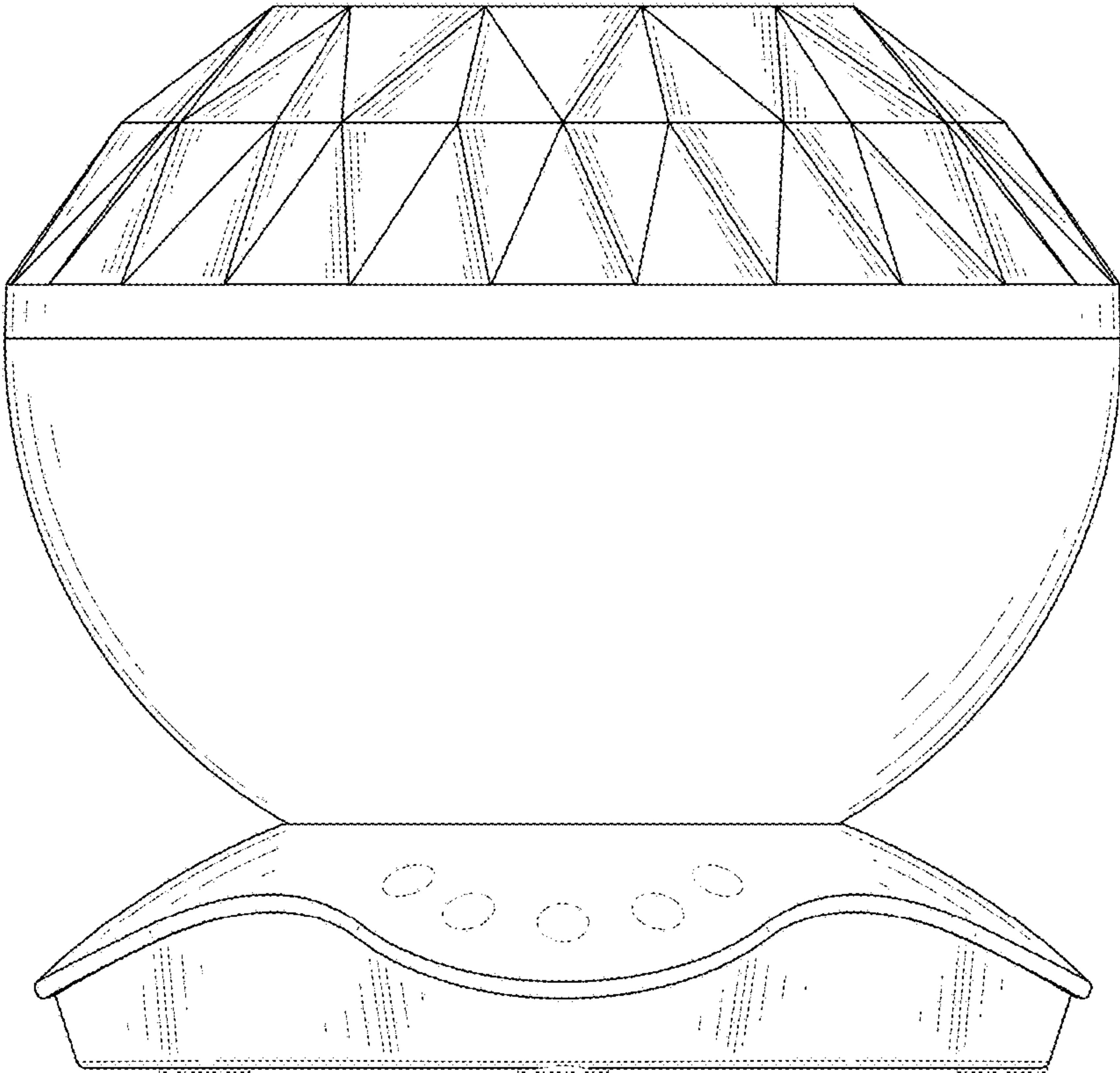


FIG. 3

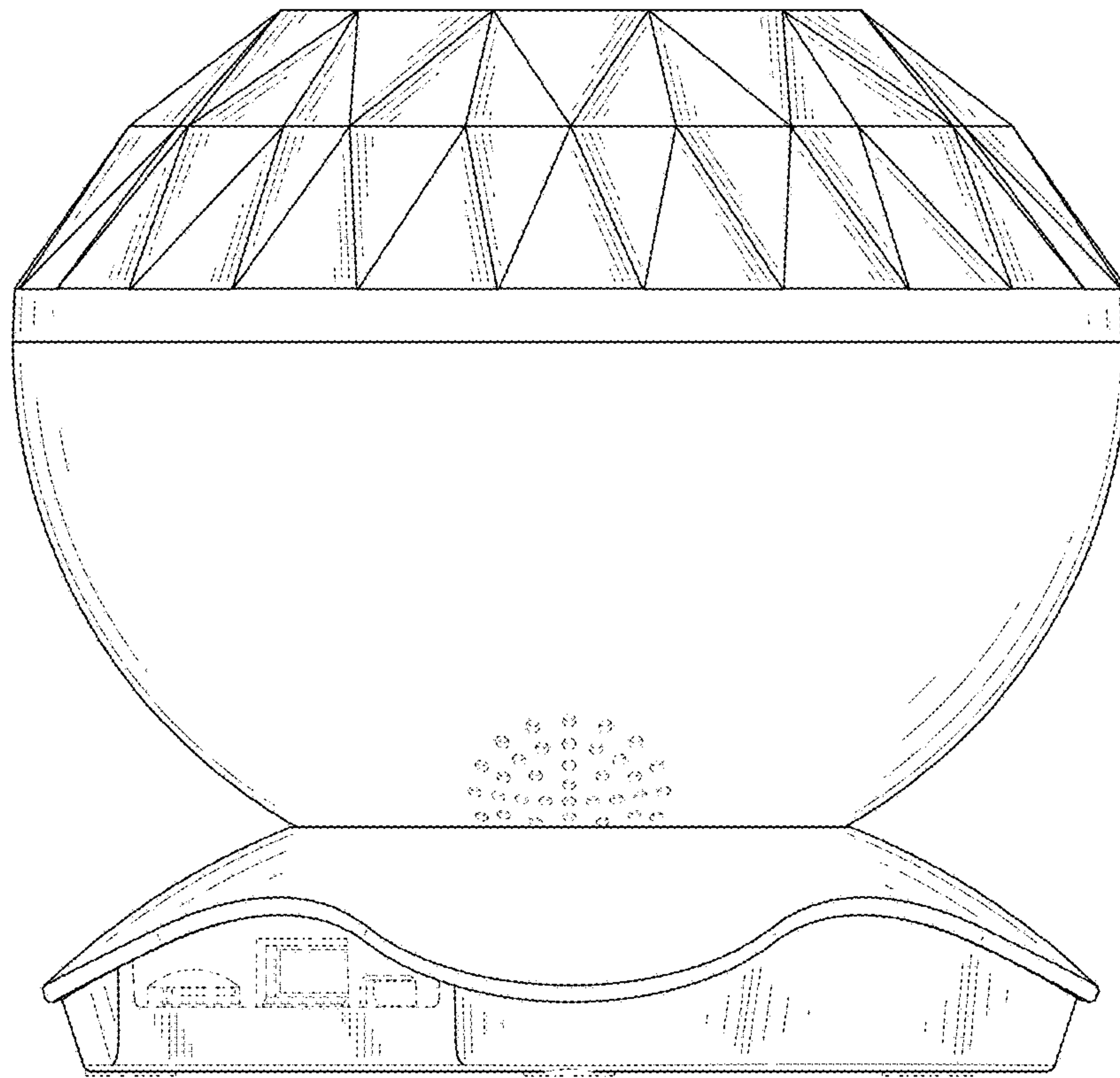


FIG. 4

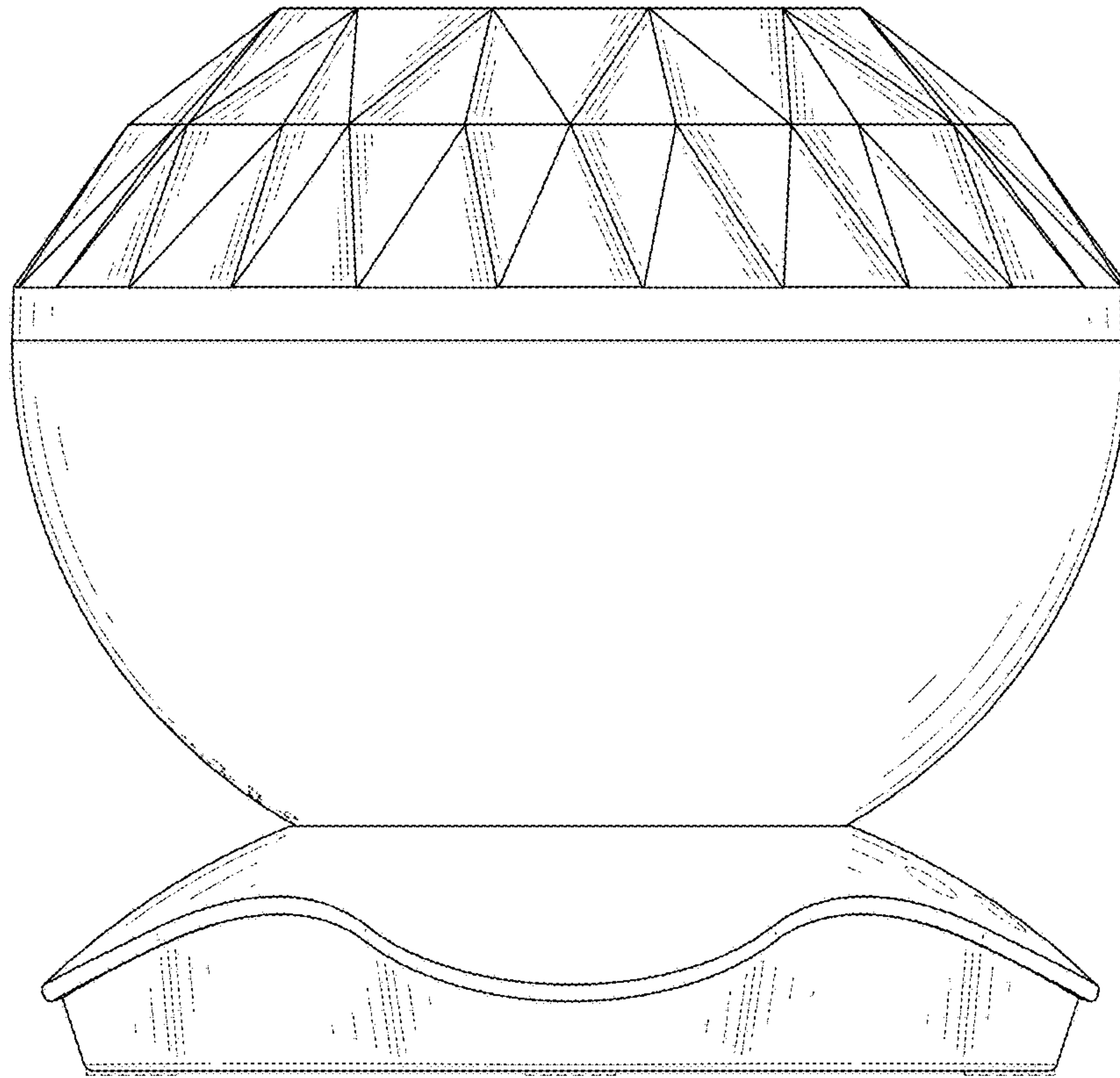


FIG. 5

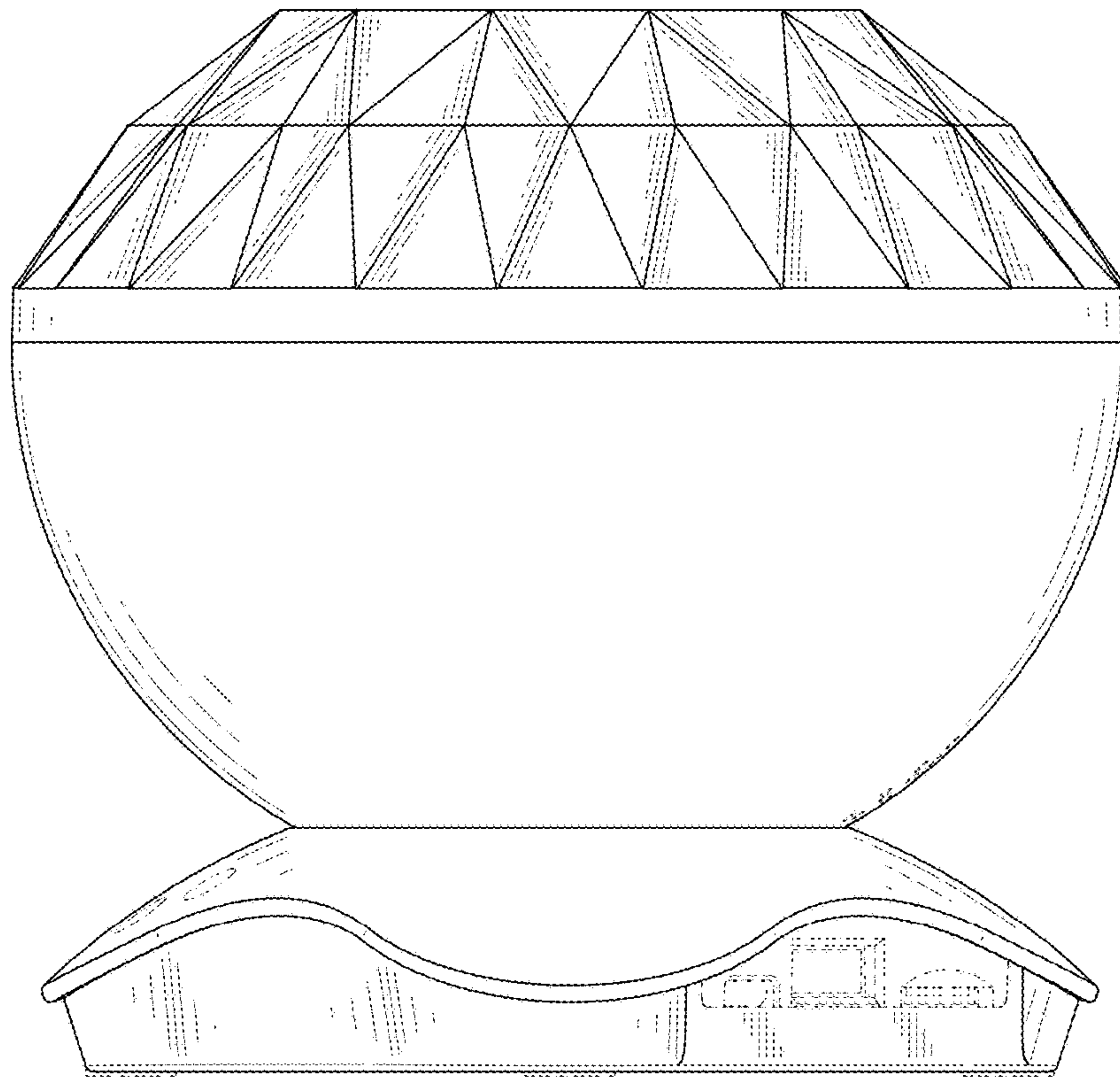


FIG. 6

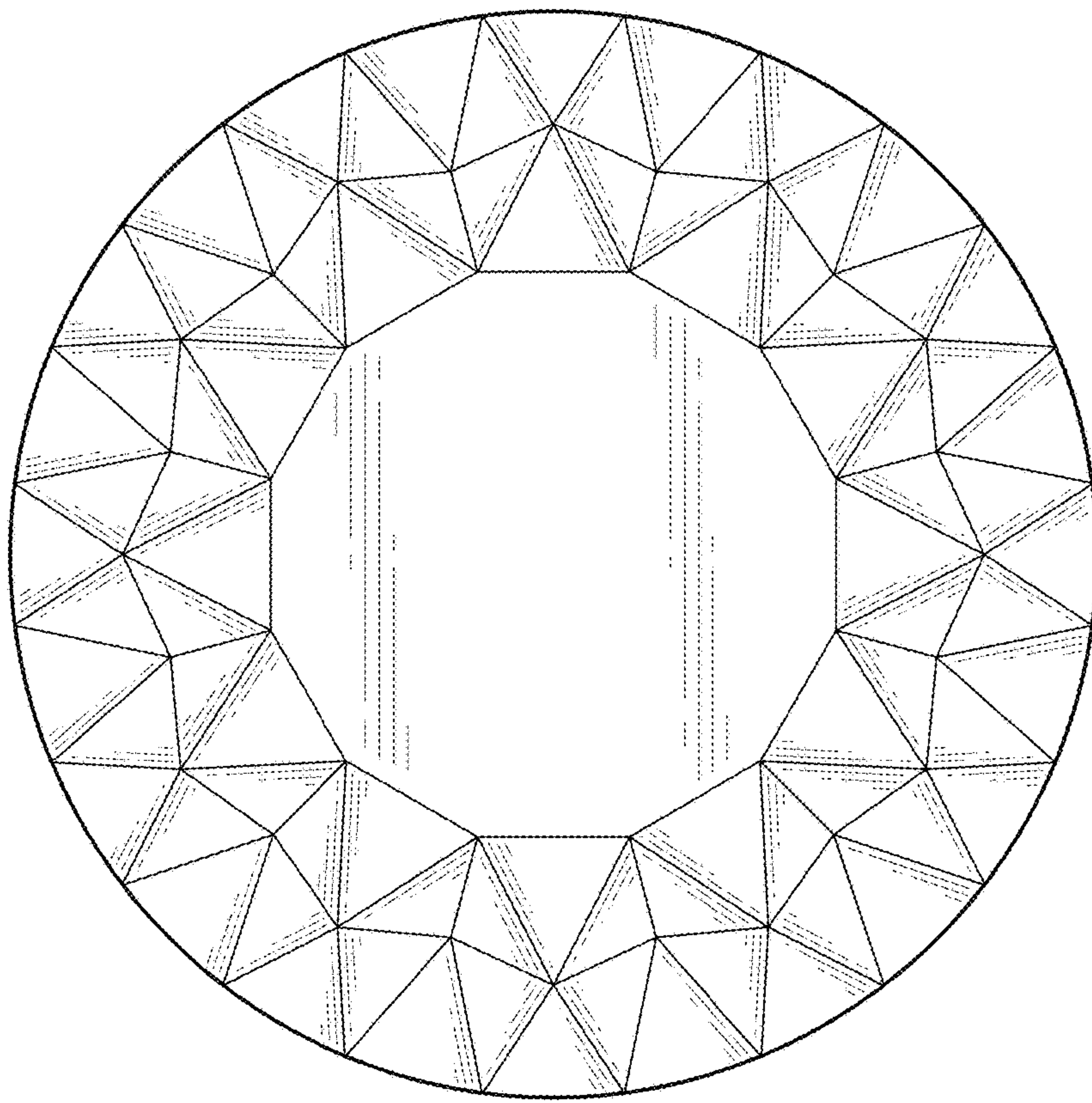


FIG. 7

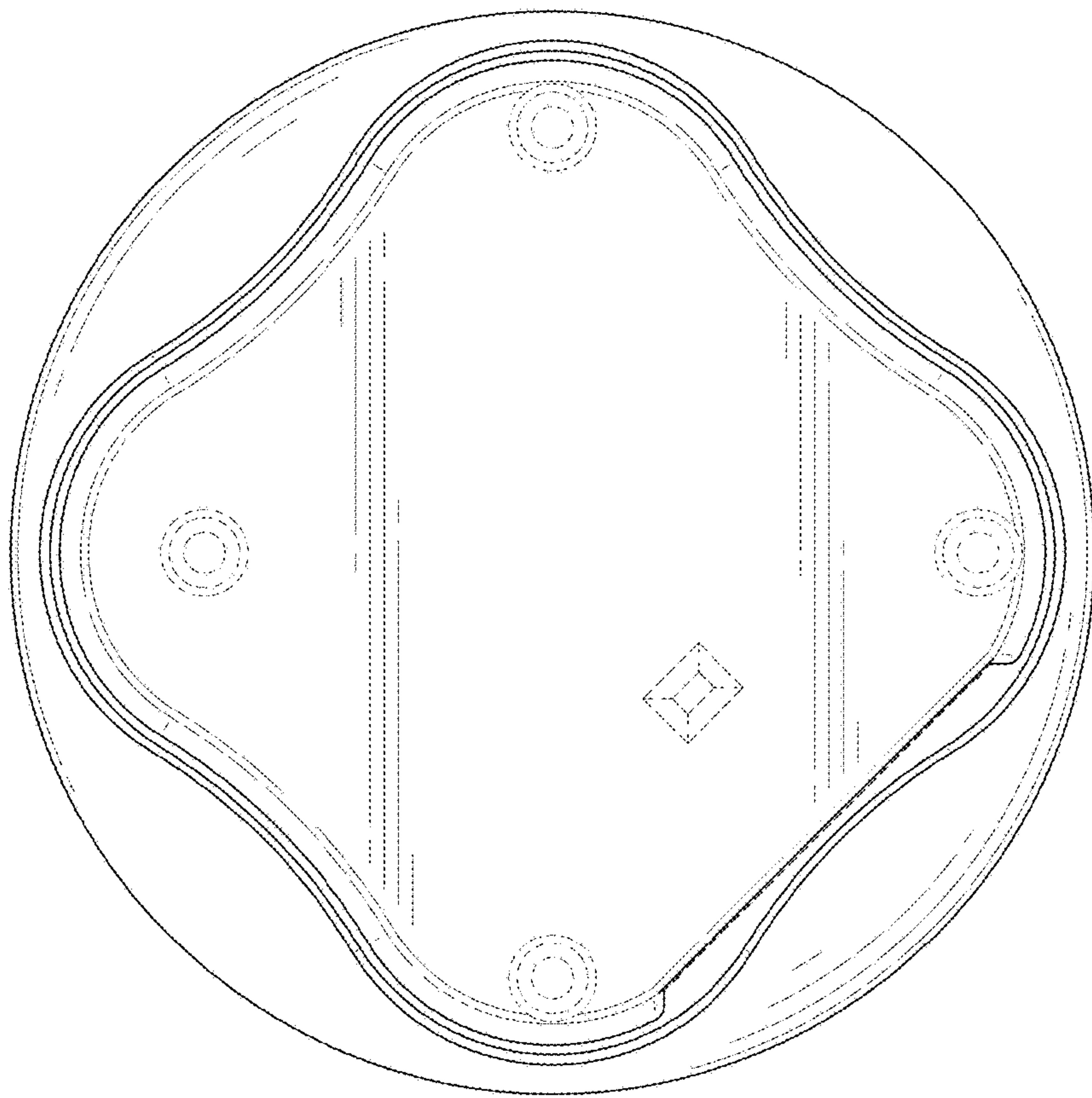


FIG. 8

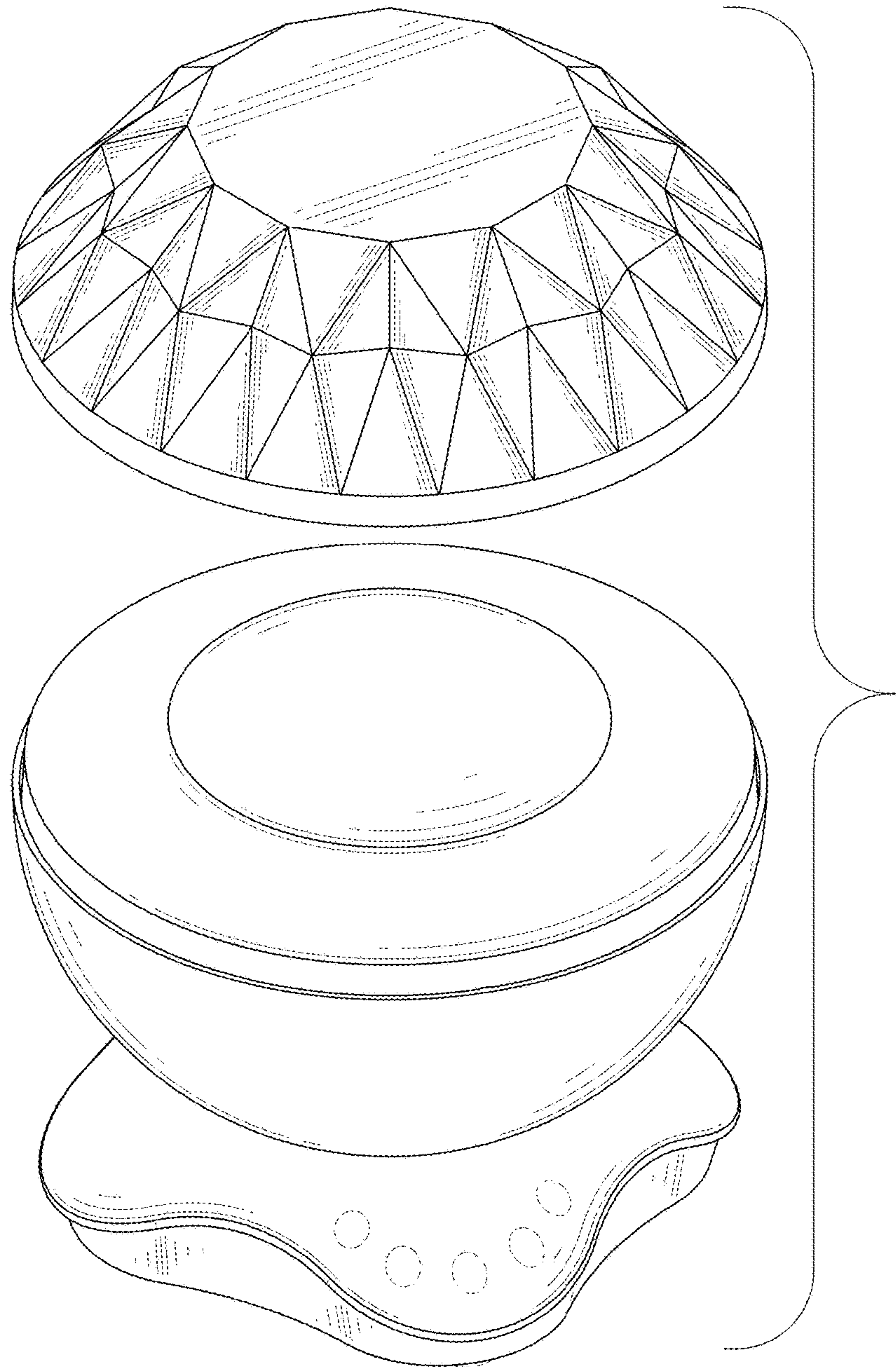


FIG. 9