



US00D861966S

(12) **United States Design Patent**
Wang

(10) **Patent No.:** **US D861,966 S**
(45) **Date of Patent:** **** Oct. 1, 2019**

- (54) **LED LIGHT**
- (71) Applicant: **Shenzhen Yachang Technology Co., Ltd.**, Shenzhen (CN)
- (72) Inventor: **Dan Wang**, Yibin (CN)
- (73) Assignee: **Shenzhen Yachang Technology Co., Ltd.**, Shenzhen (CN)
- (**) Term: **15 Years**
- (21) Appl. No.: **29/691,061**
- (22) Filed: **May 14, 2019**
- (51) **LOC (12) Cl.** **26-03**
- (52) **U.S. Cl.**
USPC **D26/110**
- (58) **Field of Classification Search**
USPC D26/1, 24, 104, 105, 106, 108, 110, 111, D26/112, 118, 124, 93; D11/131, 157, D11/184, 121, 125
CPC .. A63H 13/00; F21S 6/00; F21S 6/002; F21S 10/00; F21V 3/00; F21V 3/0418; F21V 15/00; F21V 21/02; F21V 31/00; F21W 2121/00; F21W 2131/30
See application file for complete search history.

D731,107 S * 6/2015 Wu D26/104
 D744,143 S 11/2015 Bobel
 D761,472 S 7/2016 Zhu
 D829,961 S * 10/2018 Lin D26/104
 D848,051 S * 5/2019 Huang D26/104

* cited by examiner

Primary Examiner — Brian N. Vinson

(57) **CLAIM**

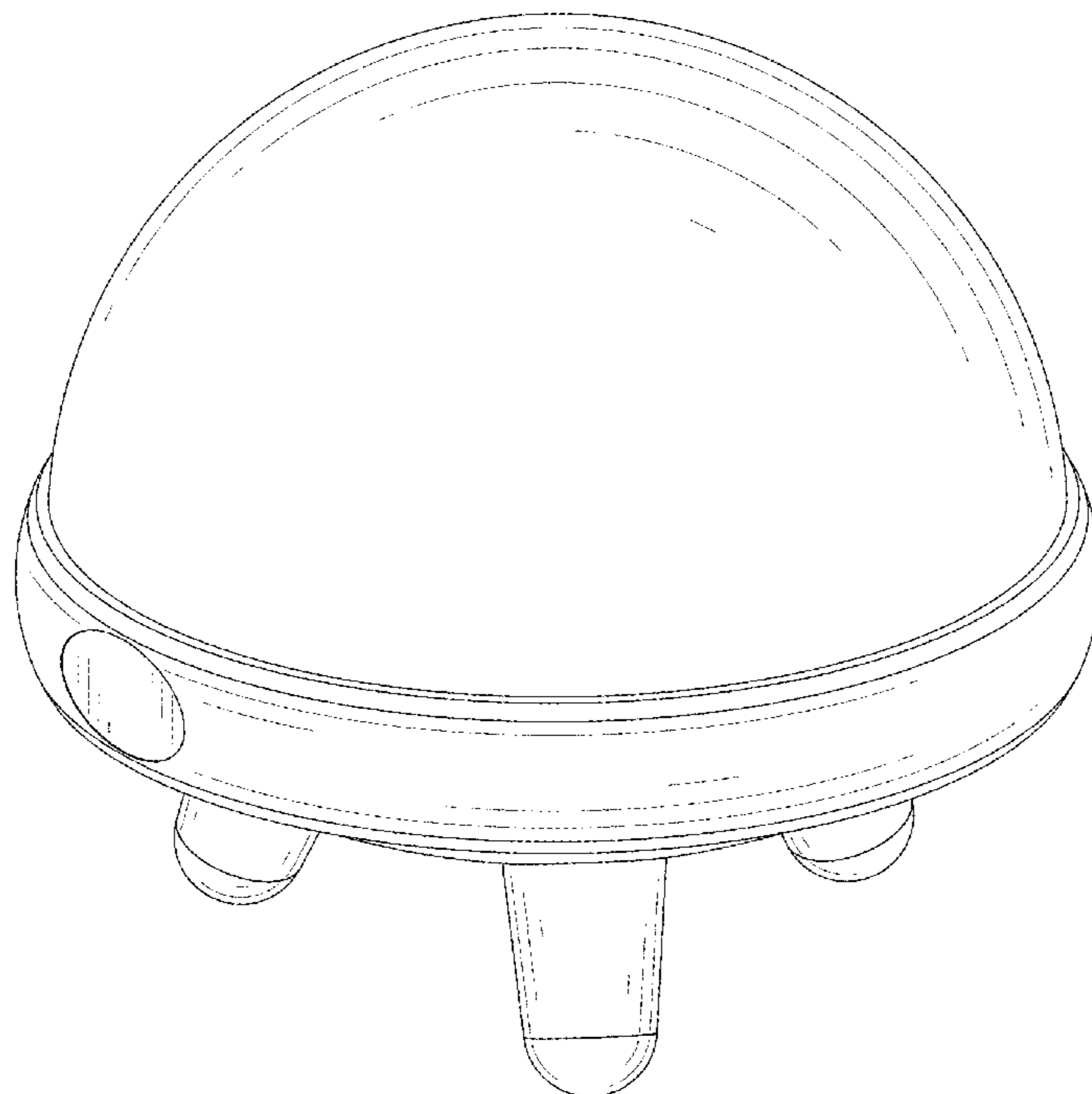
The ornamental design for an LED light, as shown and described.

DESCRIPTION

FIG. 1 is a first perspective view of an LED light showing my design;
 FIG. 2 is a second perspective view thereof;
 FIG. 3 is a front view thereof;
 FIG. 4 is a back view thereof;
 FIG. 5 is a left side view thereof;
 FIG. 6 is a right side view thereof;
 FIG. 7 is a top view thereof; and,
 FIG. 8 is a bottom view thereof.
 The broken lines shown in the drawings depict portions of the LED light in which the design is embodied that form no part of the claimed design.

- (56) **References Cited**
U.S. PATENT DOCUMENTS
D397,488 S * 8/1998 Ball D26/111
D698,983 S 2/2014 Rampolla et al.

1 Claim, 8 Drawing Sheets



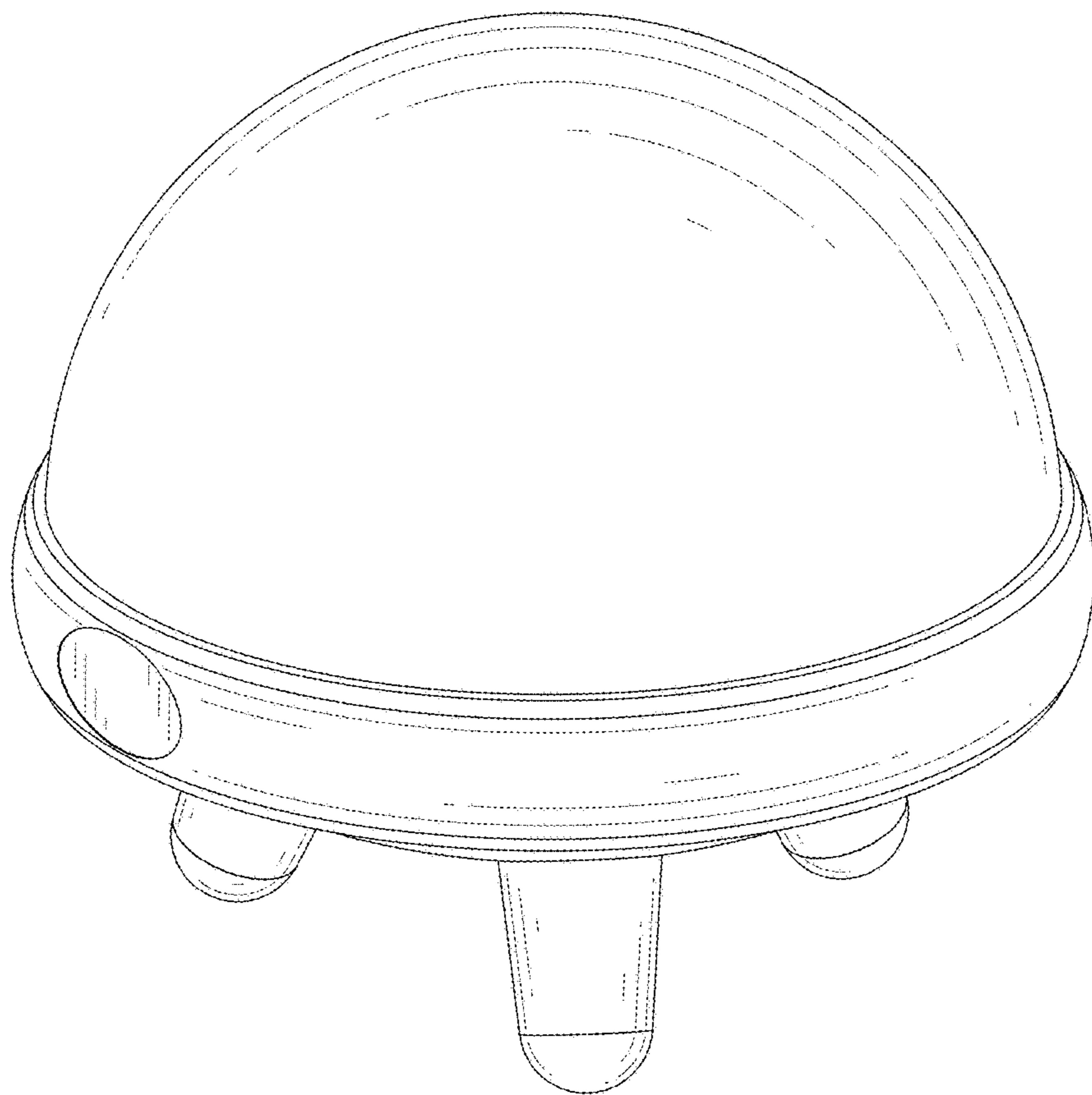


FIG. 1

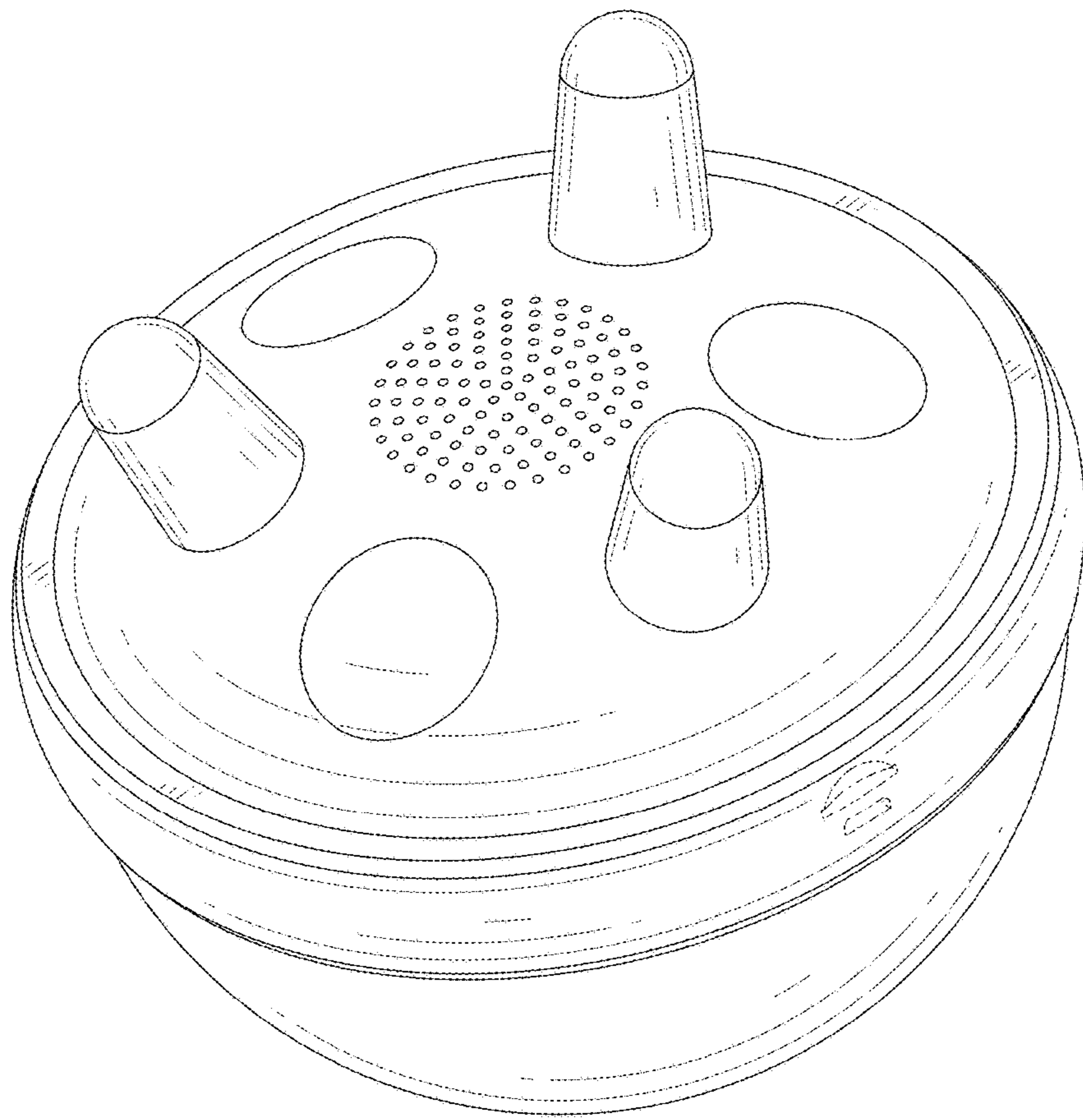


FIG. 2

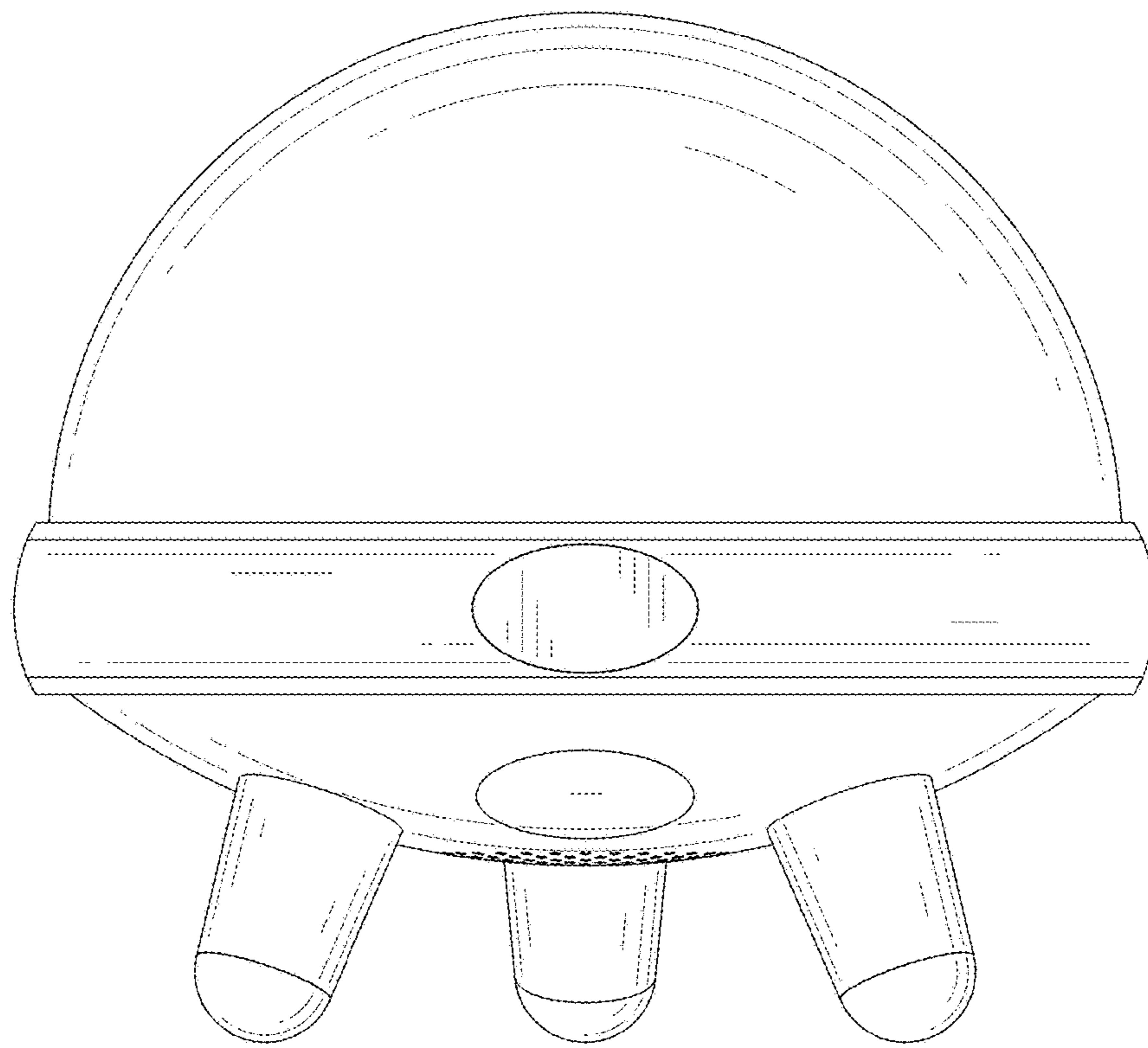


FIG. 3

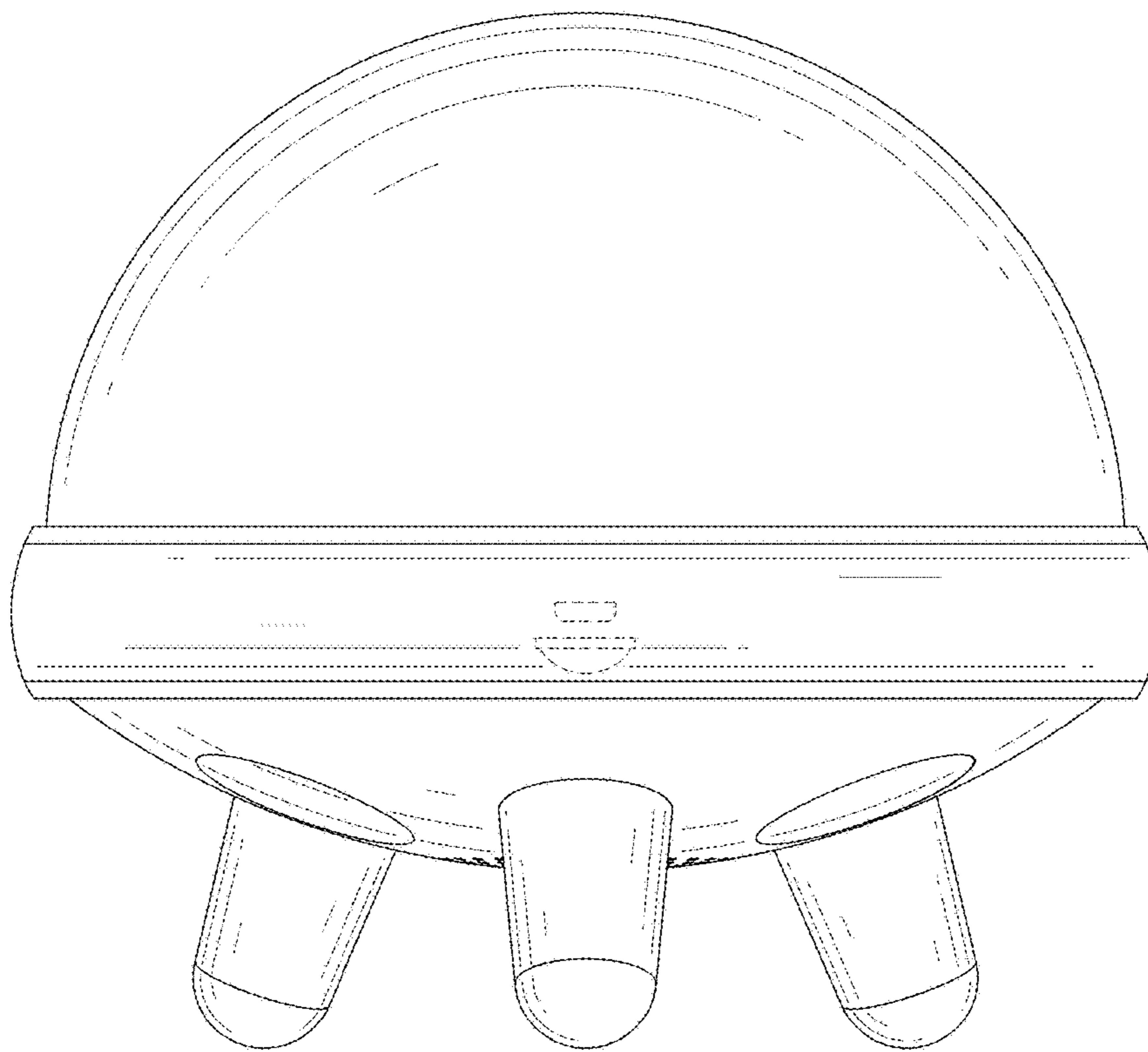


FIG. 4

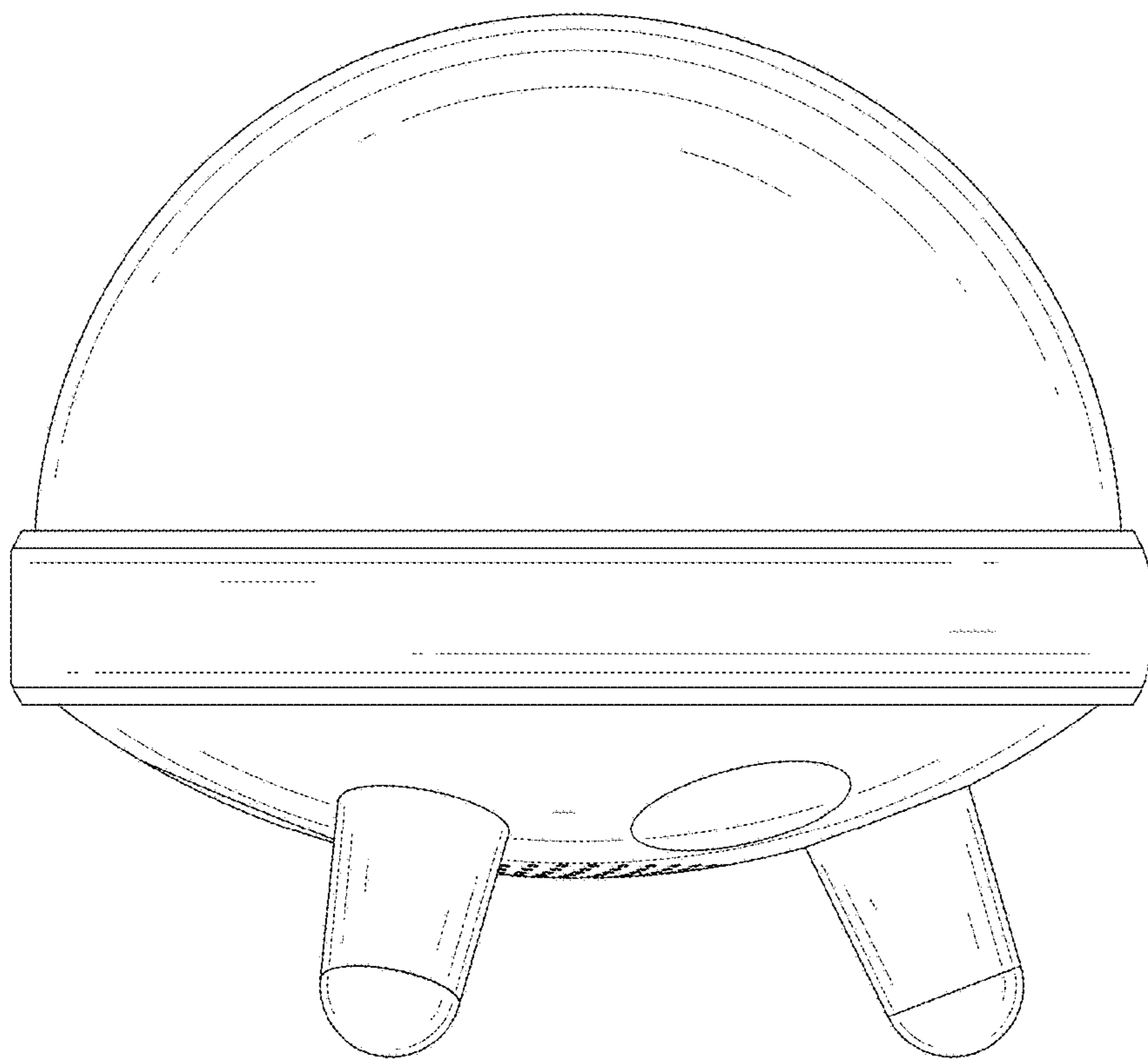


FIG. 5

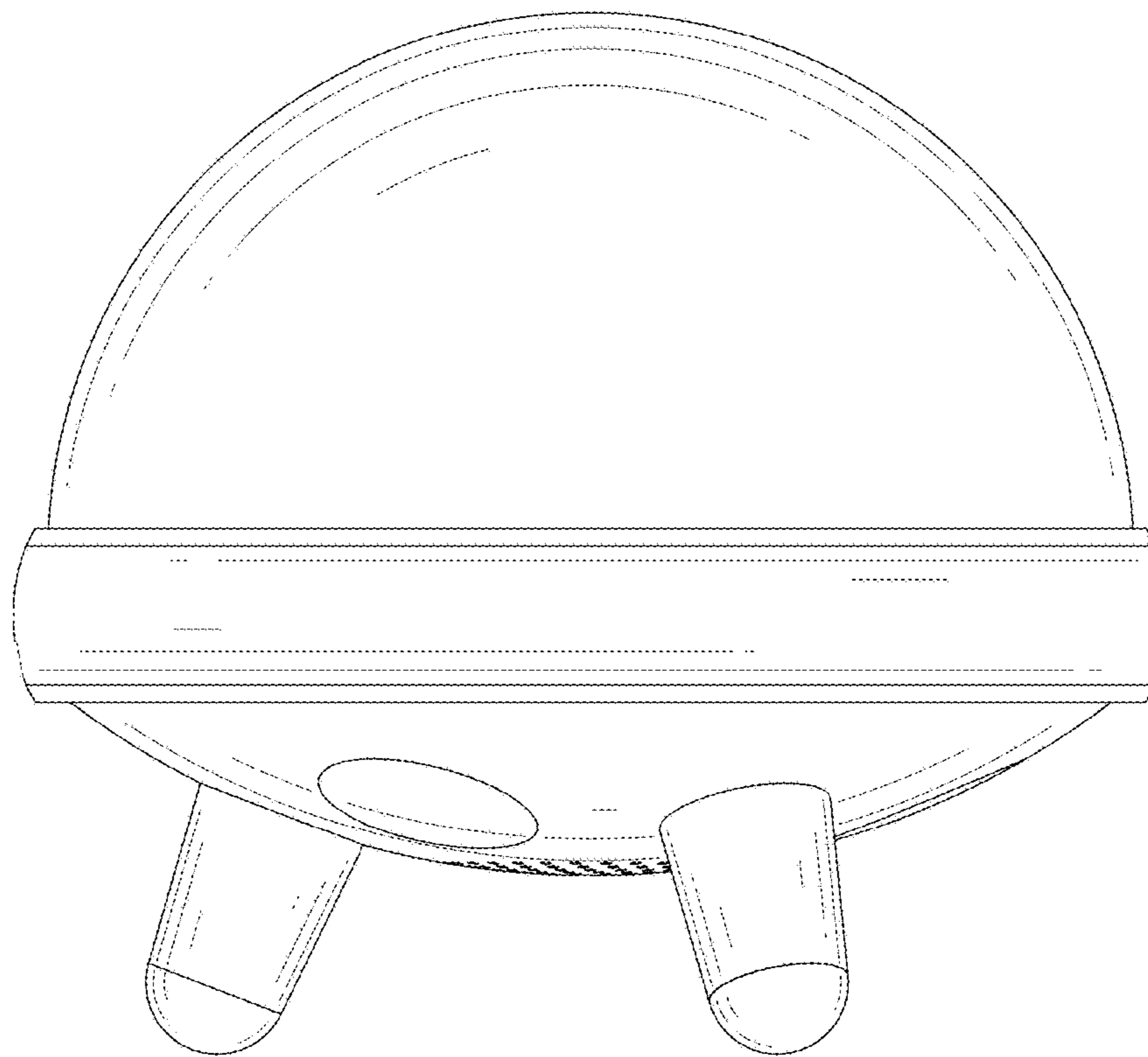


FIG. 6

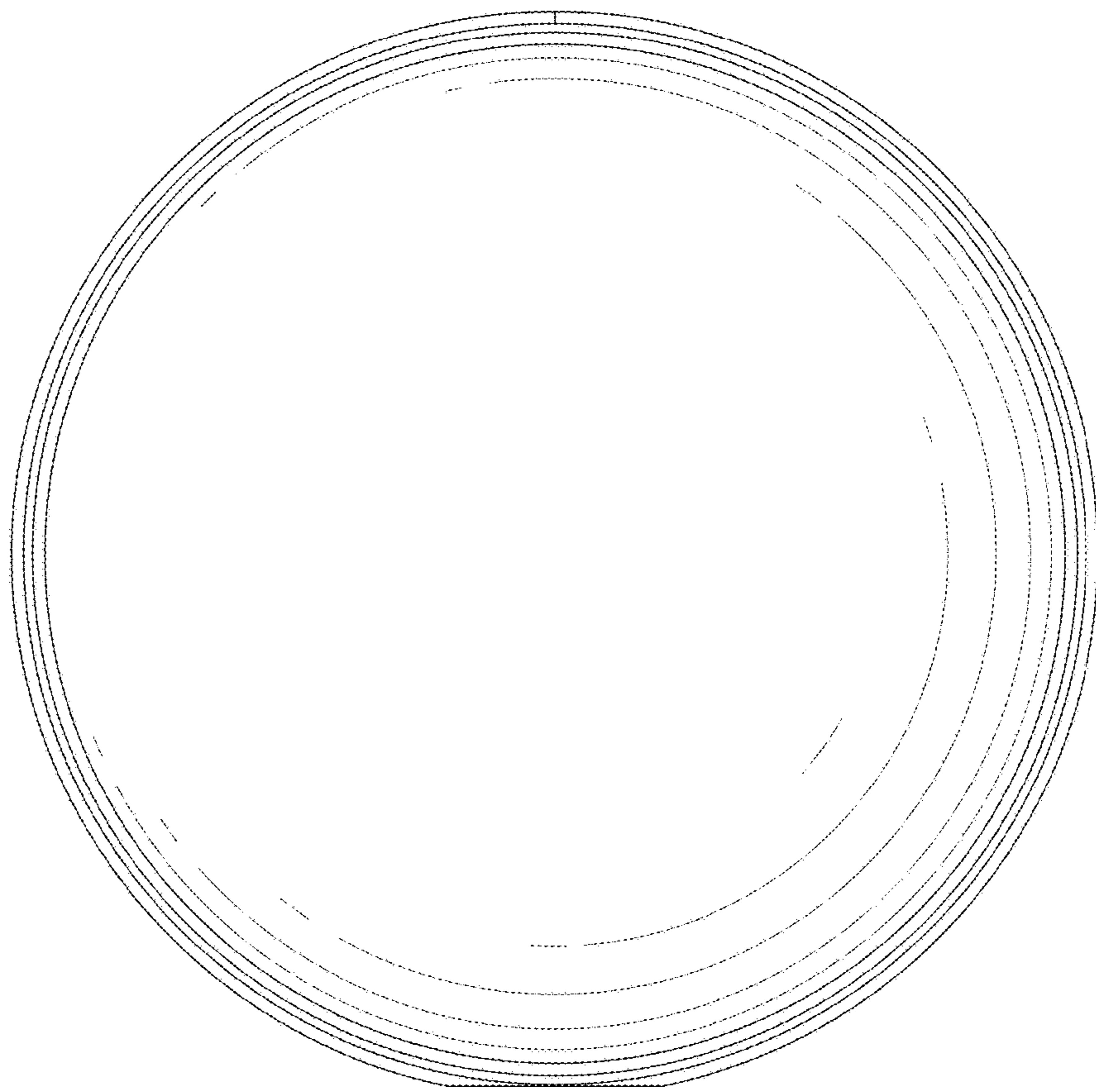


FIG. 7

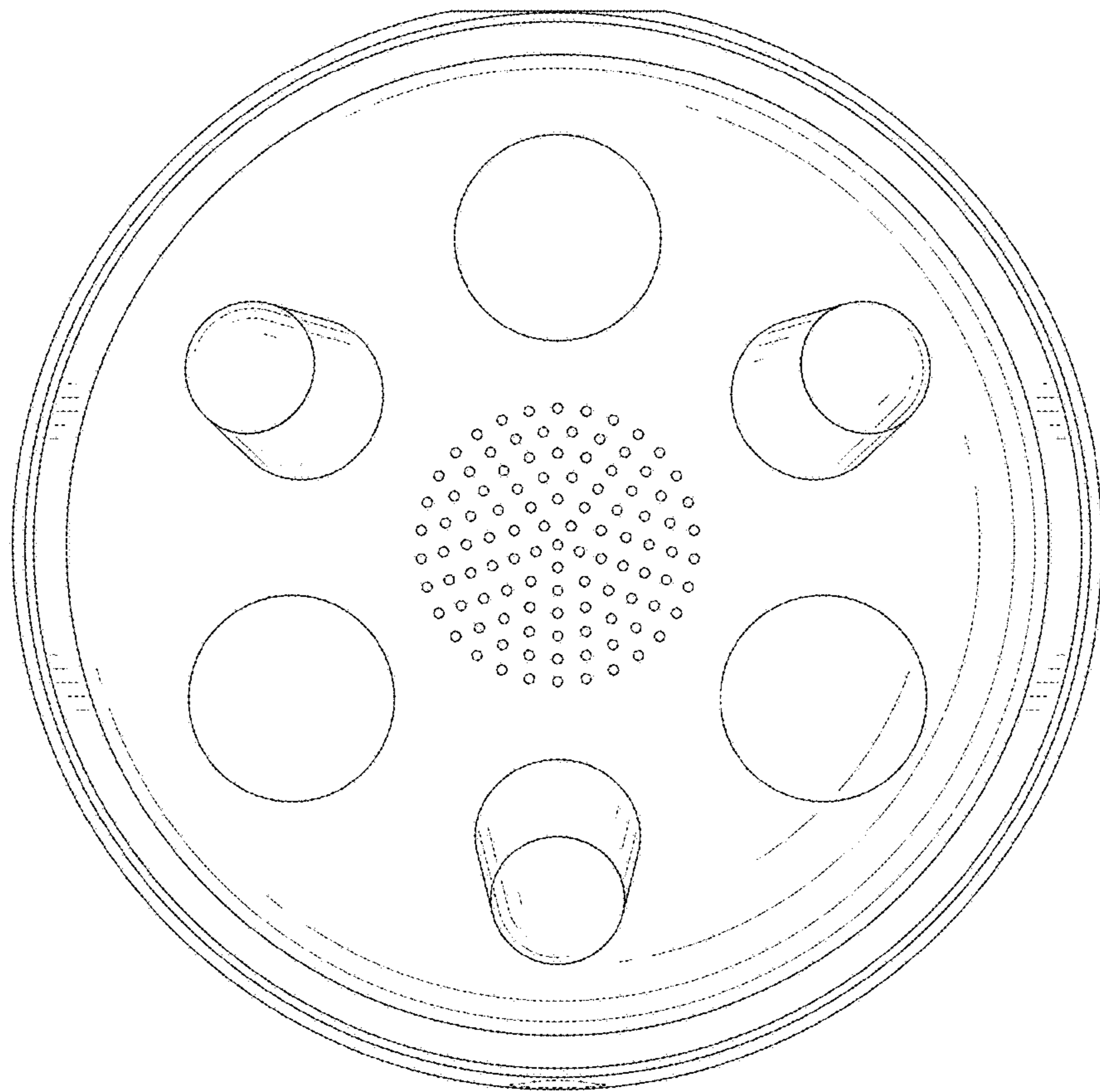


FIG. 8