

US00D861963S

(12) **United States Design Patent**
Zhu

(10) **Patent No.:** **US D861,963 S**

(45) **Date of Patent:** **** *Oct. 1, 2019**

(54) **MUSHROOM SHAPED LAMP**

(71) Applicant: **Feng Zhu**, Hunan (CN)

(72) Inventor: **Feng Zhu**, Hunan (CN)

(*) Notice: This patent is subject to a terminal disclaimer.

(**) Term: **15 Years**

(21) Appl. No.: **29/595,915**

(22) Filed: **Mar. 3, 2017**

(51) **LOC (12) Cl.** **26-03**

(52) **U.S. Cl.**
USPC **D26/101**

(58) **Field of Classification Search**
USPC D26/4, 95, 101, 110; D21/506, 507;
D11/131, 149, 151, 157, 160
CPC F21S 6/00; F21S 6/002; F21V 1/00; F21V
1/02; F21V 1/12; F21V 1/20; F21V 1/22;
F21V 1/24
See application file for complete search history.

(56) **References Cited**

U.S. PATENT DOCUMENTS

D156,223 S * 11/1949 Faill D11/157
D281,358 S * 11/1985 Doner D26/101

D425,650 S * 5/2000 Salcedo Ramos D26/101
D433,174 S * 10/2000 Hepburn D26/101
8,291,628 B2 * 10/2012 Acworth F21S 6/002
29/428
D724,254 S * 3/2015 Sun D26/101
D733,956 S * 7/2015 Ellis D26/110
D758,639 S * 6/2016 Piaget D26/110
D765,904 S * 9/2016 Pouzet D26/110
D777,969 S * 1/2017 Fair D26/101

* cited by examiner

Primary Examiner — Brian N. Vinson

(74) *Attorney, Agent, or Firm* — Justin Lampel

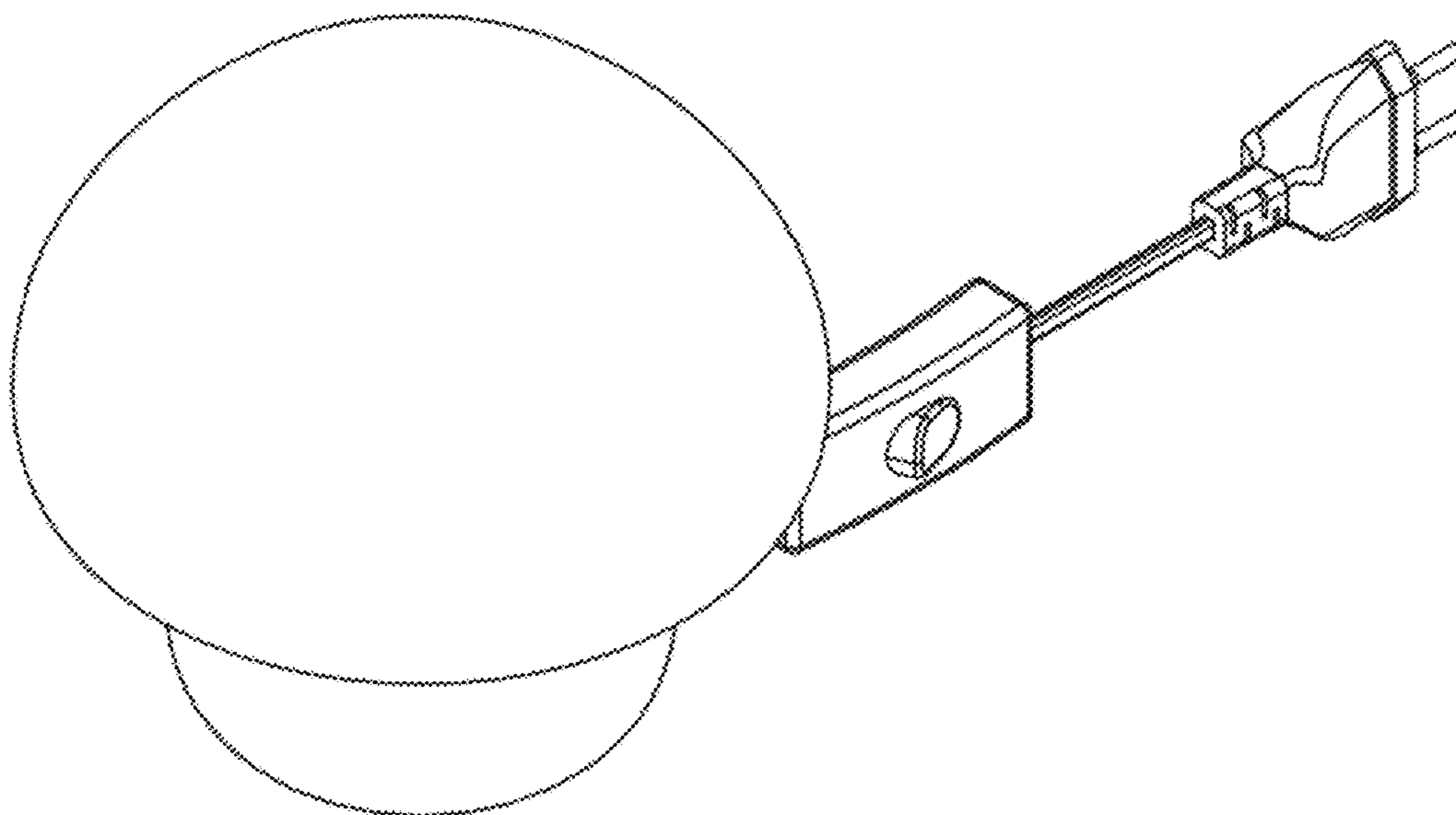
(57) **CLAIM**

The ornamental design for a mushroom shaped lamp, as shown and described.

DESCRIPTION

FIG. 1. is a perspective view of a mushroom shaped lamp.
FIG. 2 is a front elevational view thereof;
FIG. 3 is a rear elevational view thereof;
FIG. 4 is a right side view thereof;
FIG. 5 is a left side view thereof;
FIG. 6 is a bottom plan view thereof; and,
FIG. 7 is a top plan view thereof.

1 Claim, 4 Drawing Sheets



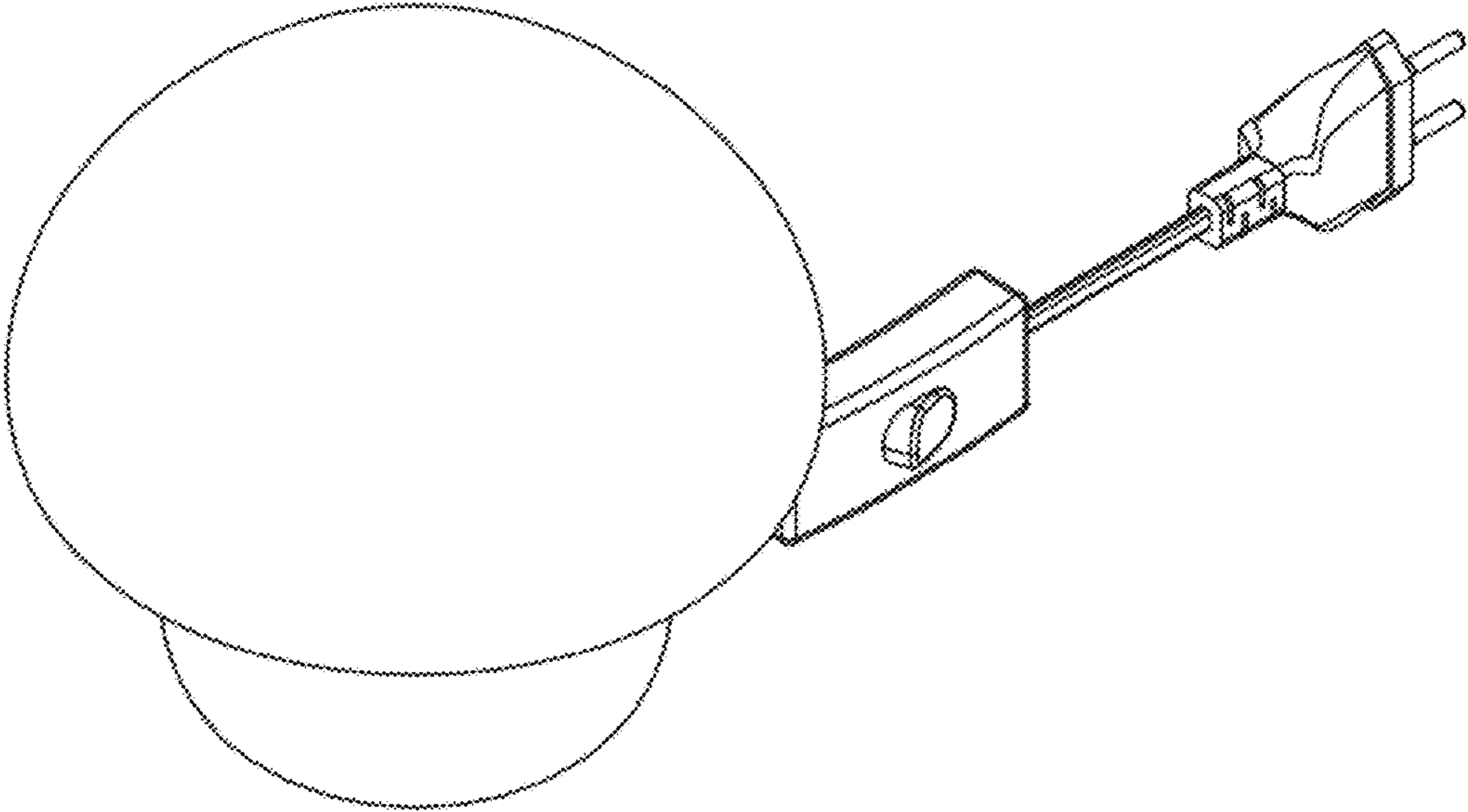


FIG. 1

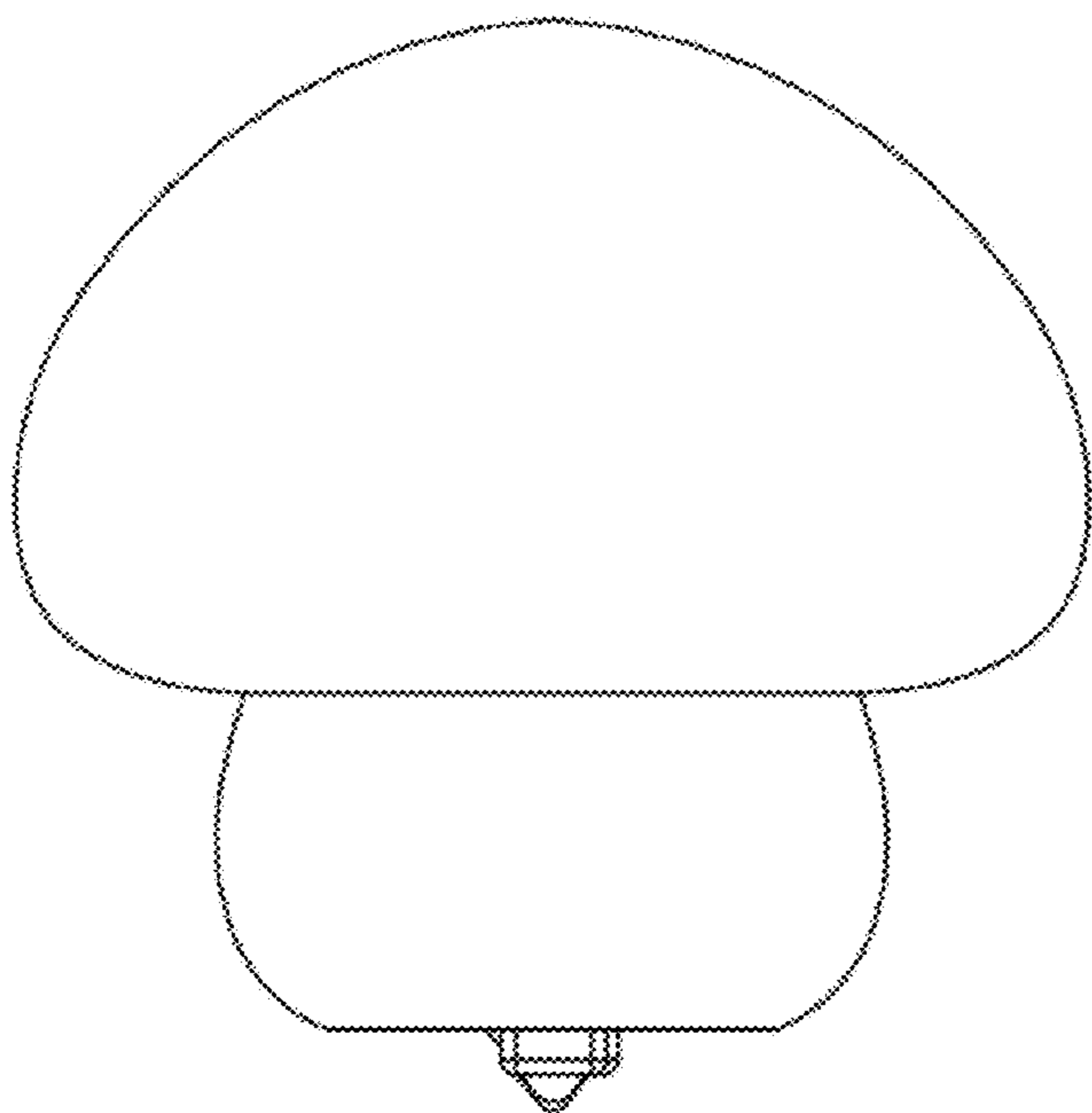


FIG. 2

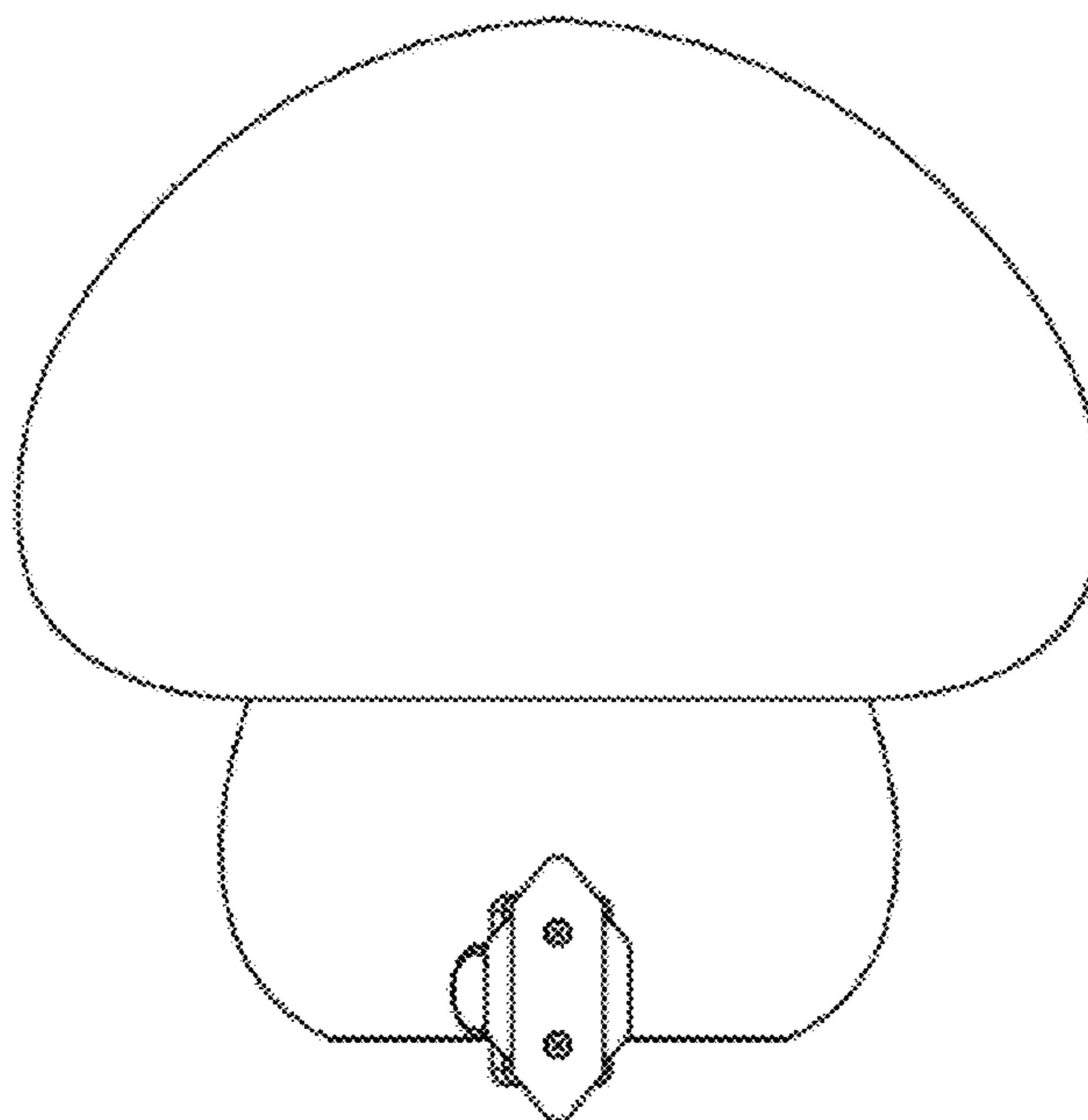


FIG. 3

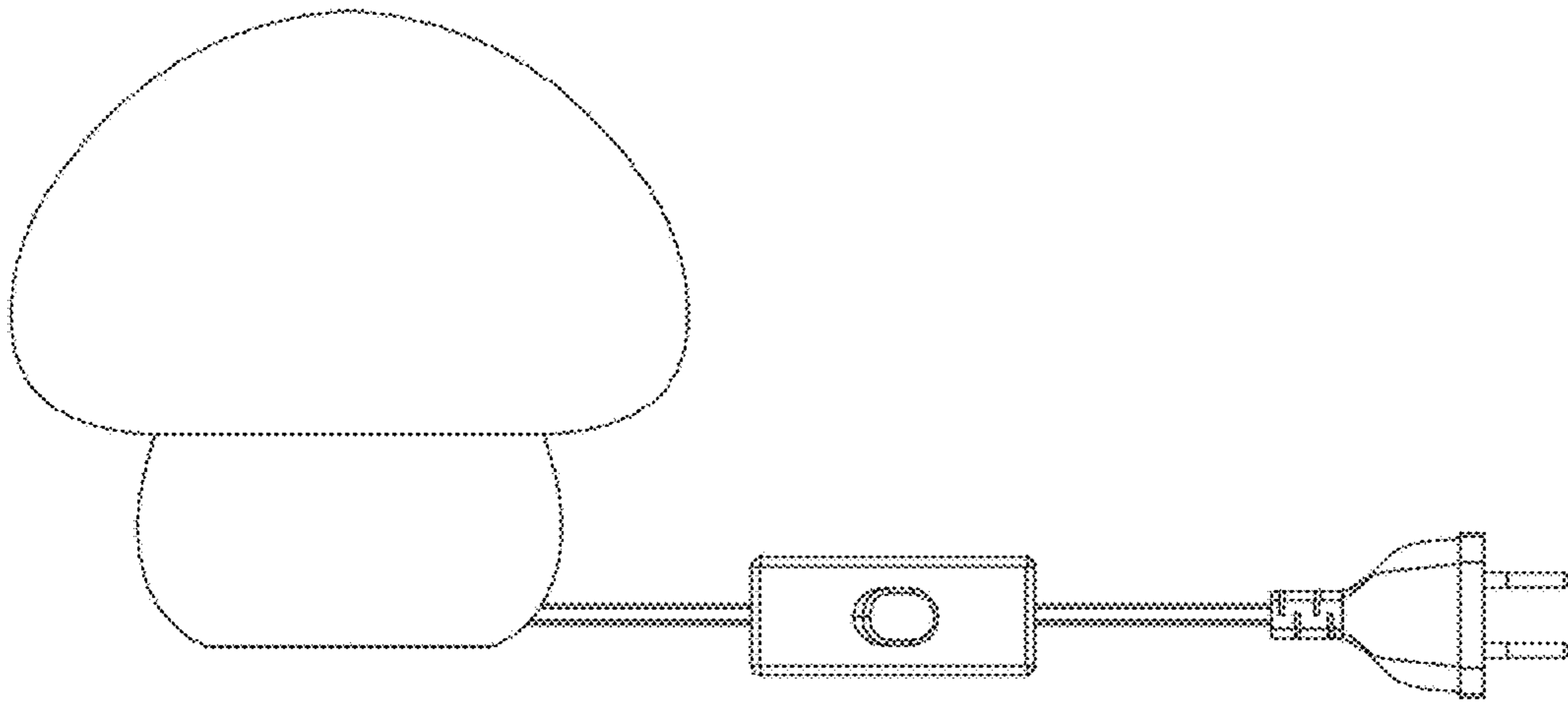


FIG. 4

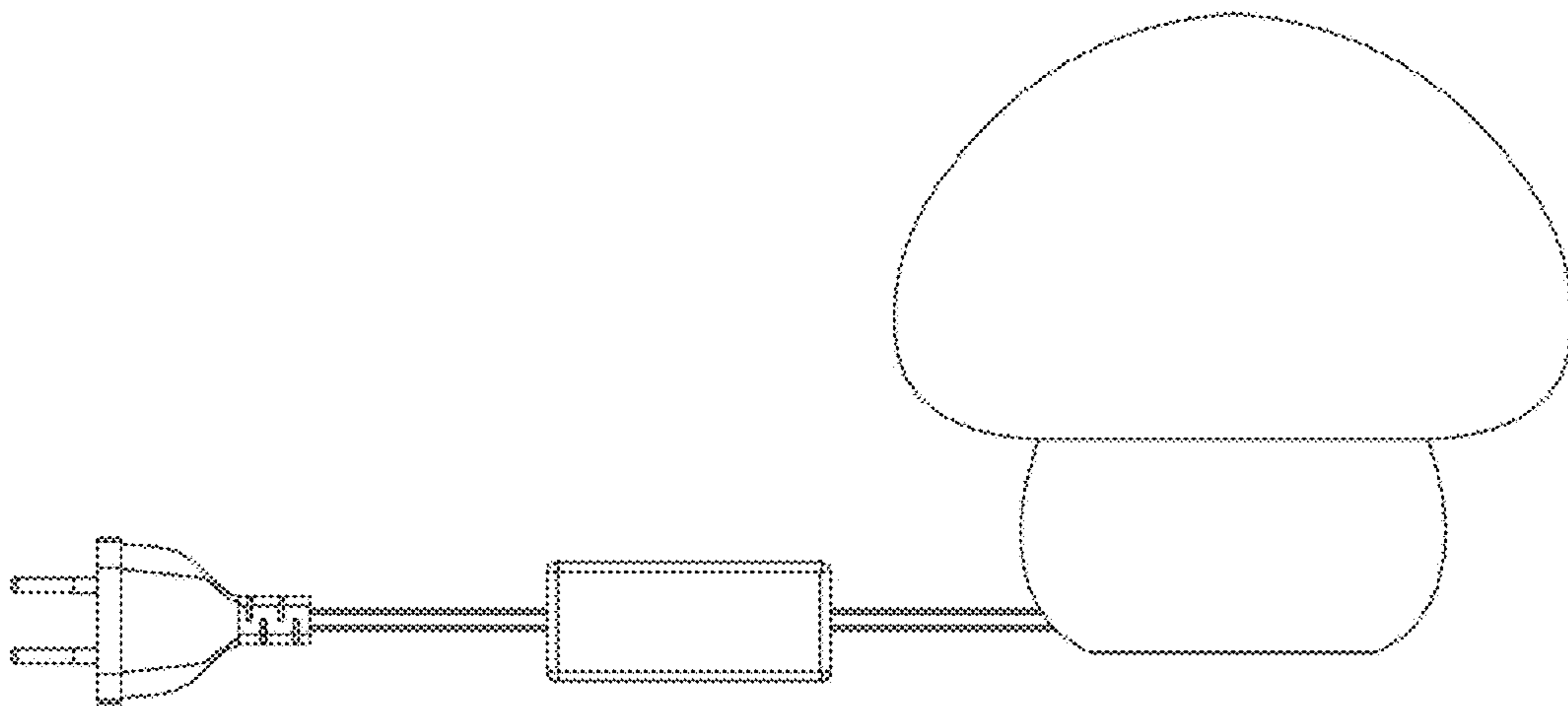


FIG. 5

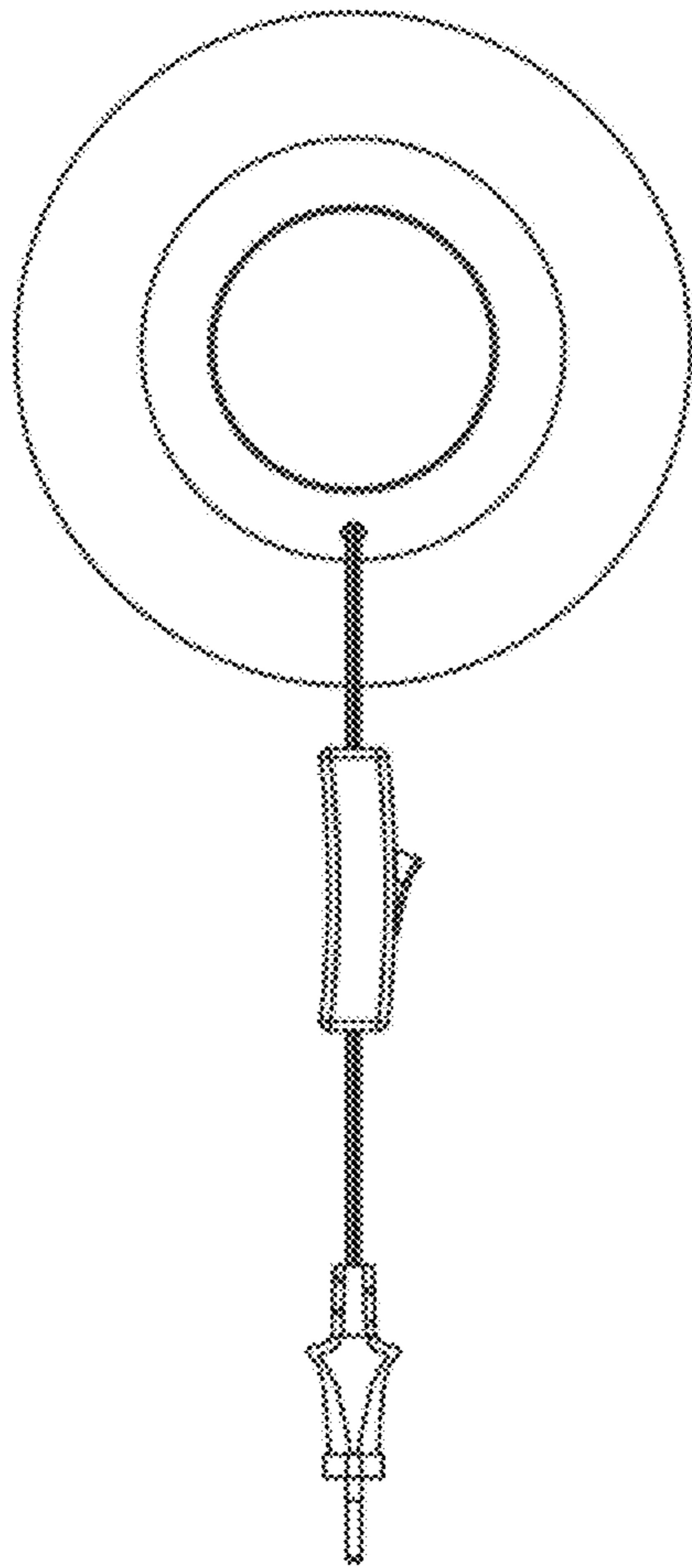


FIG. 6

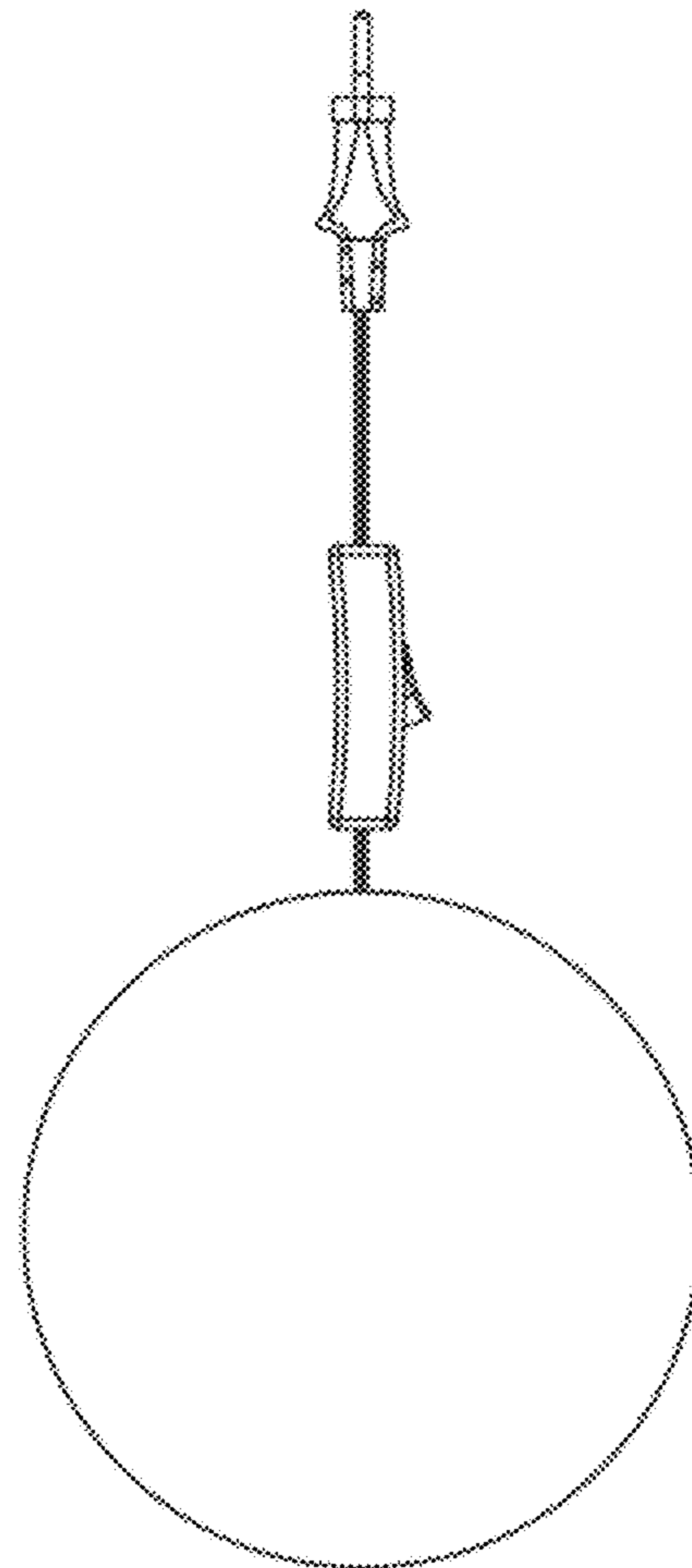


FIG. 7