



US00D861962S

(12) **United States Design Patent**
Smith

(10) **Patent No.:** **US D861,962 S**
(45) **Date of Patent:** **** Oct. 1, 2019**

(54) **FOOTBALL LAMP**

(71) Applicant: **Donald Keith Smith**, Prosper, TX (US)

(72) Inventor: **Donald Keith Smith**, Prosper, TX (US)

(**) Term: **15 Years**

(21) Appl. No.: **29/655,809**

(22) Filed: **Jul. 6, 2018**

(51) **LOC (12) Cl.** **26-03**

(52) **U.S. Cl.**
USPC **D26/94**

(58) **Field of Classification Search**
USPC D26/85, 94, 125; D29/106, 111, 105,
D29/108, 102; D11/157
CPC F21S 8/03; F21S 8/031; F21S 8/033; F21S
8/036; F21S 9/03; F21S 9/037; F21V
21/025; F21V 17/08; F21V 17/10; A63B
71/081

See application file for complete search history.

(56) **References Cited**

U.S. PATENT DOCUMENTS

| | | | | | |
|-----------|-----|---------|----------|-------|--------------------|
| 5,129,108 | A * | 7/1992 | Copeland | | A42B 3/14 2/424 |
| D370,547 | S * | 6/1996 | Moss | | D26/94 |
| D375,810 | S * | 11/1996 | Ham | | D26/26 |
| D379,222 | S * | 5/1997 | Kuo | | D23/377 |
| D387,465 | S * | 12/1997 | Copland | | D26/94 |
| D448,513 | S * | 9/2001 | Sehl | | D26/94 |
| D551,376 | S * | 9/2007 | Nunes | | D26/94 |
| D563,825 | S * | 3/2008 | Cash | | D11/157 |
| D685,127 | S * | 6/2013 | Reich | | D26/94 |
| D819,277 | S * | 5/2018 | Karr | | D29/102 |
| D833,059 | S * | 11/2018 | Smith | | D26/94 |

* cited by examiner

Primary Examiner — Brian N. Vinson

(74) *Attorney, Agent, or Firm* — Lightfoot & Alford
PLLC

(57) **CLAIM**

The ornamental design for the football lamp, as shown and described.

DESCRIPTION

FIG. 1 is an oblique front-left-top view of a football lamp according to this disclosure.

FIG. 2 is an orthogonal front view of the football lamp of FIG. 1.

FIG. 3 is an orthogonal rear view of the football lamp of FIG. 1.

FIG. 4 is an orthogonal right view of the football lamp of FIG. 1.

FIG. 5 is an orthogonal left view of the football lamp of FIG. 1.

FIG. 6 is an orthogonal top view of the football lamp of FIG. 1.

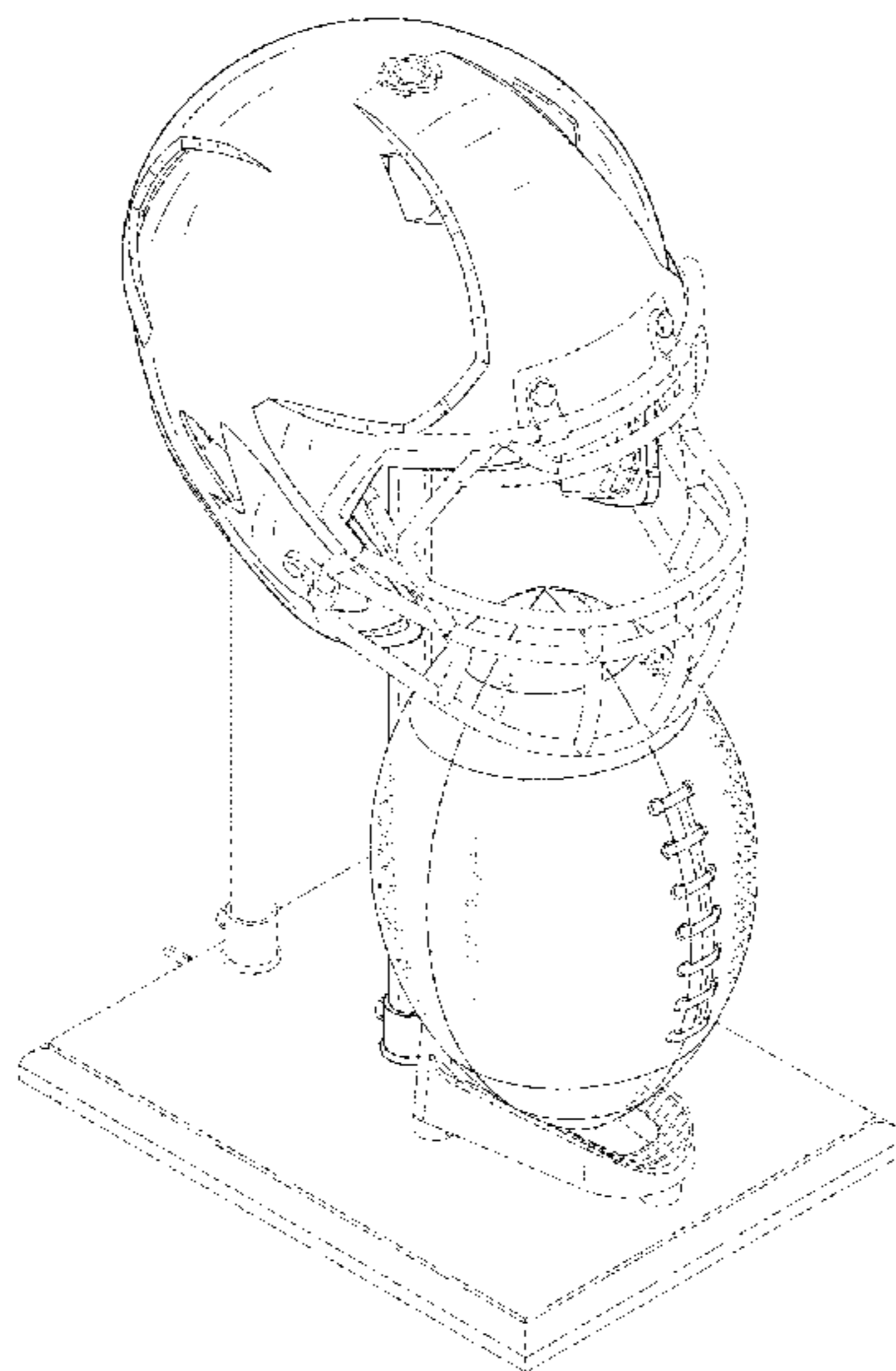
FIG. 7 is an orthogonal bottom view of the football lamp of FIG. 1.

FIG. 8 is an oblique front-right-bottom view of the football lamp of FIG. 1; and,

FIG. 9 is an oblique rear-left-bottom view of the football lamp of FIG. 1.

The broken lines shown in the drawings are provided to show visible environmental structure, namely, fastening hardware, facemask components, a football kickoff tee, electrical lighting system components, and a base, which form no part of the claimed design.

1 Claim, 9 Drawing Sheets



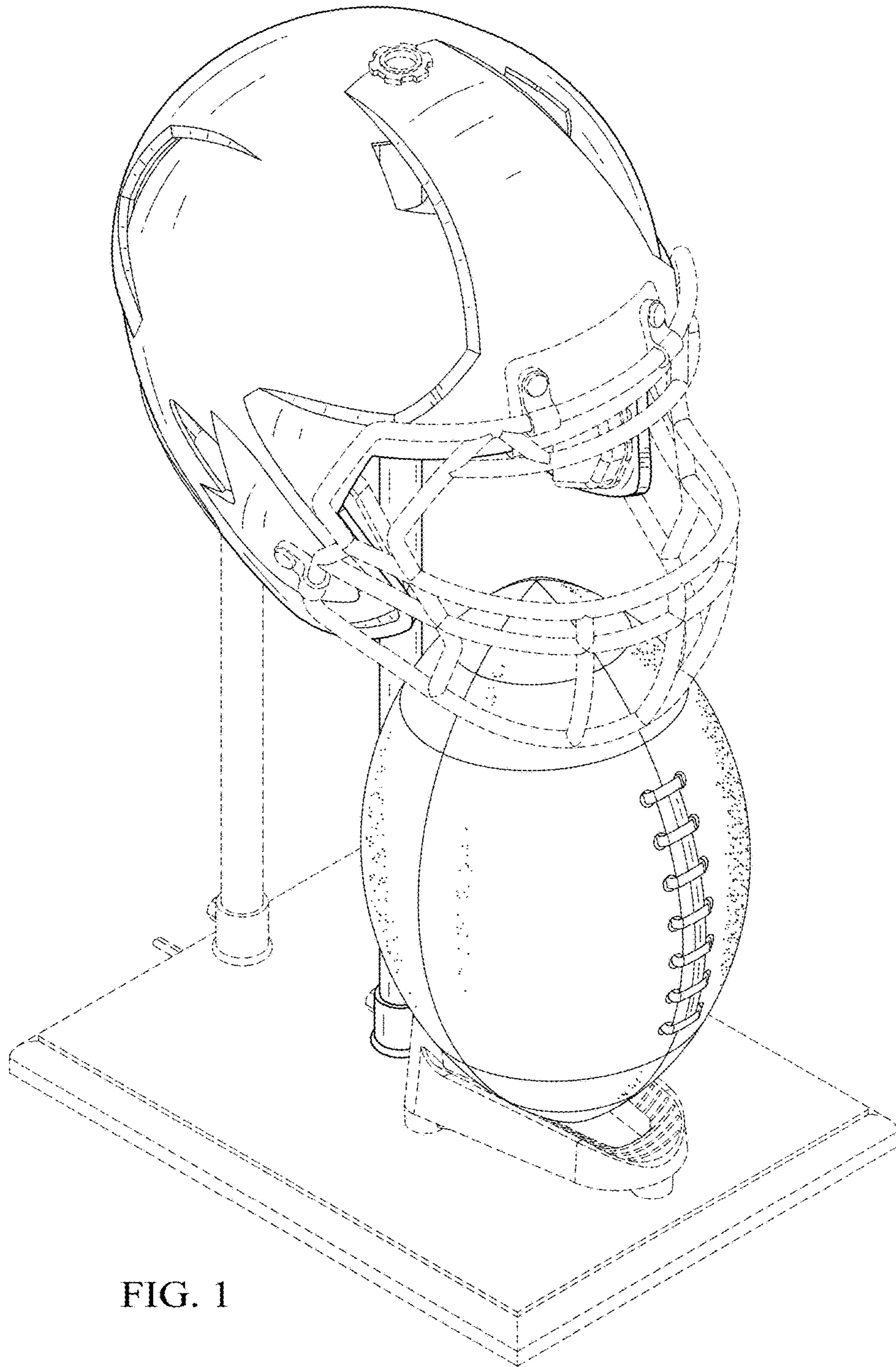


FIG. 1

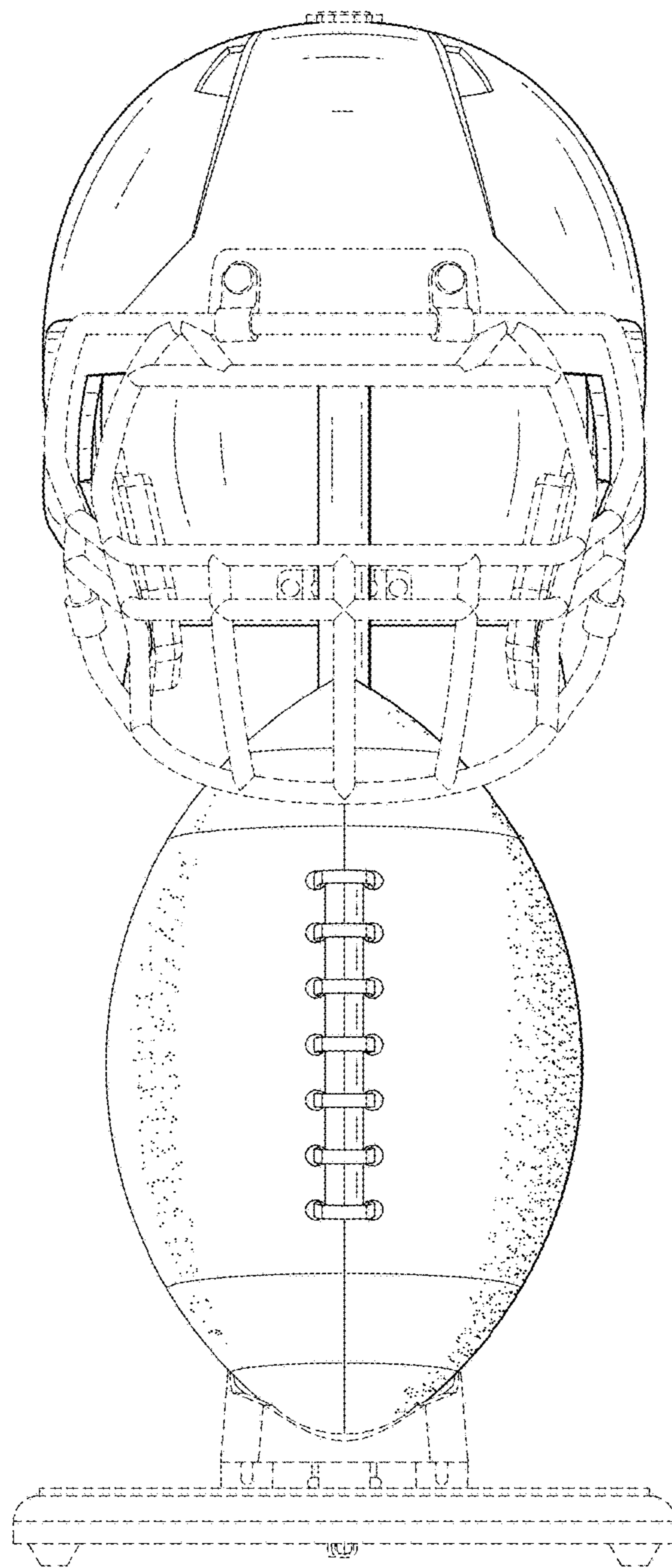


FIG. 2

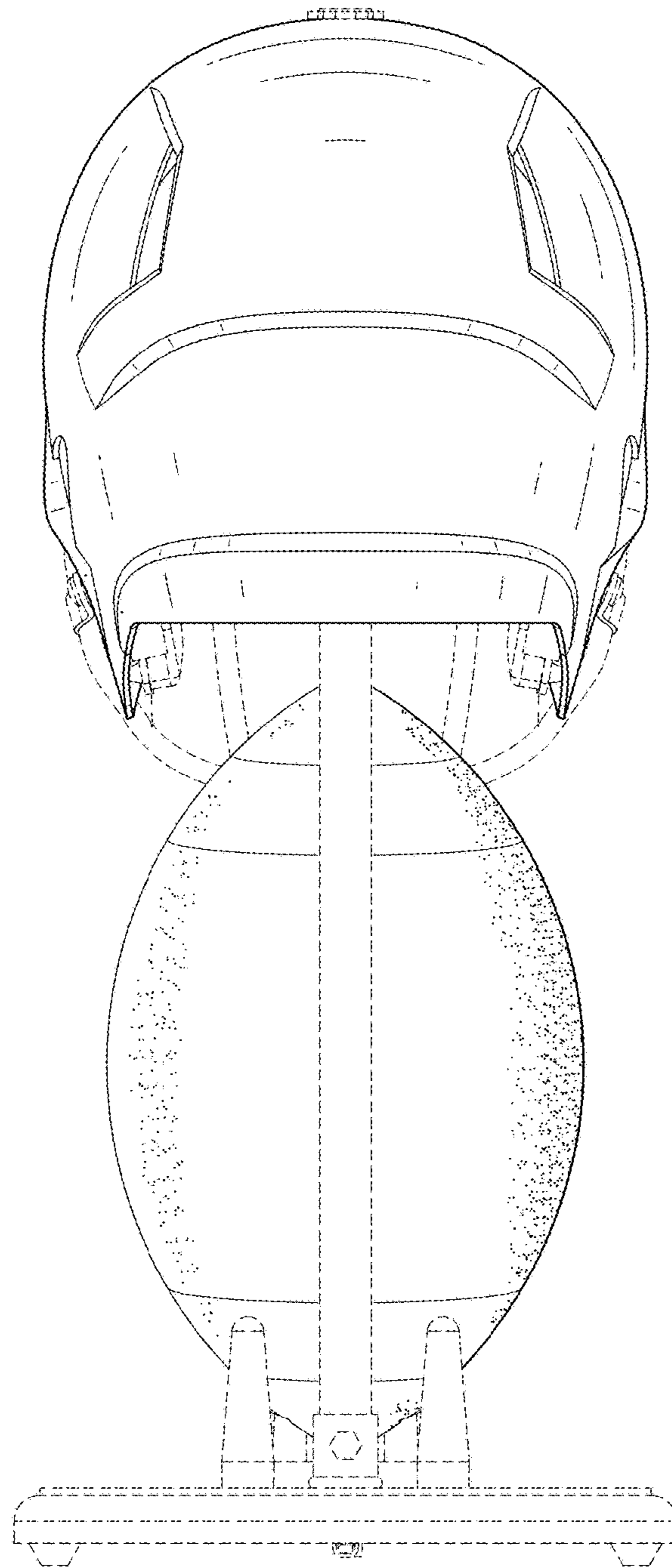


FIG. 3

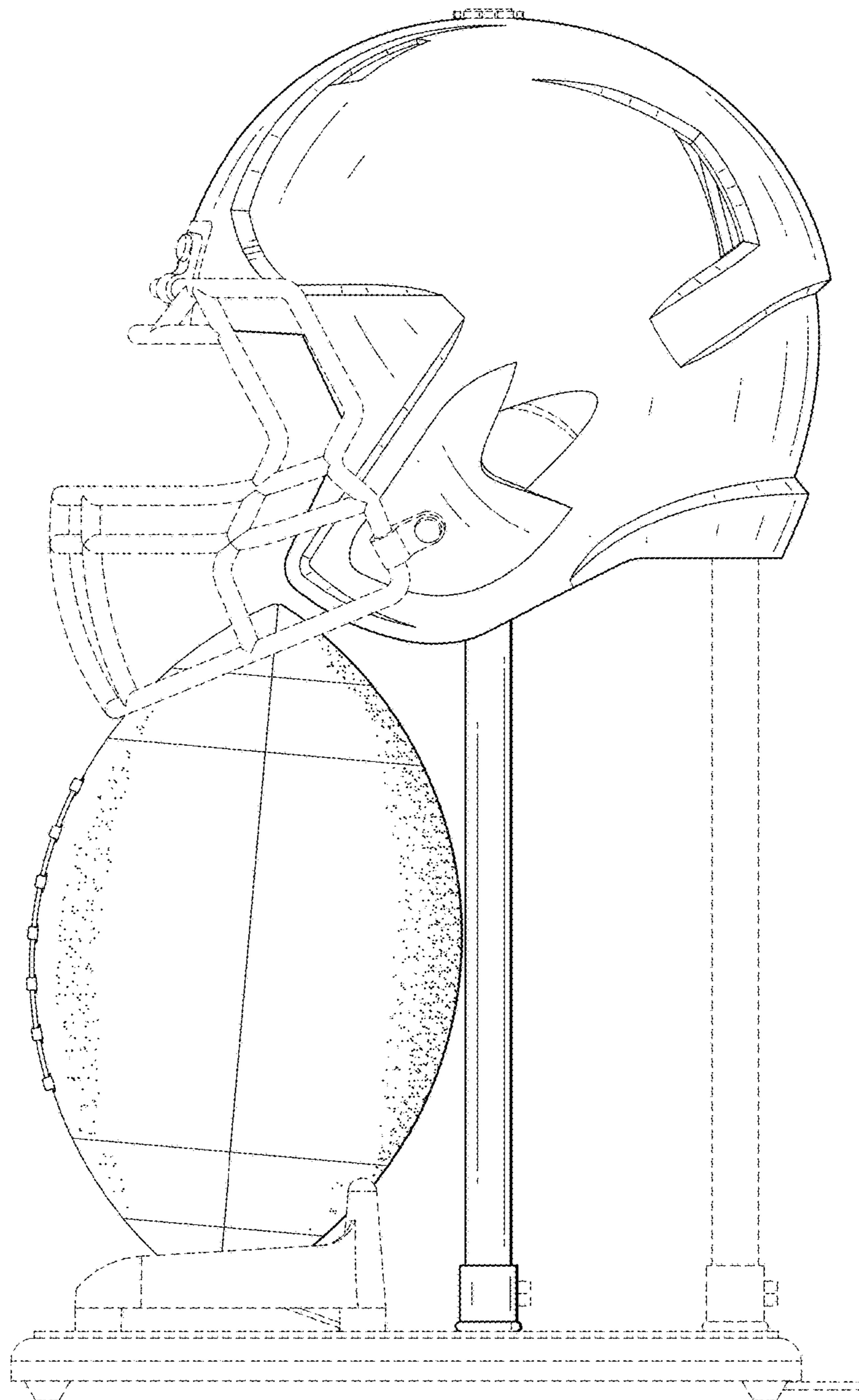


FIG. 4

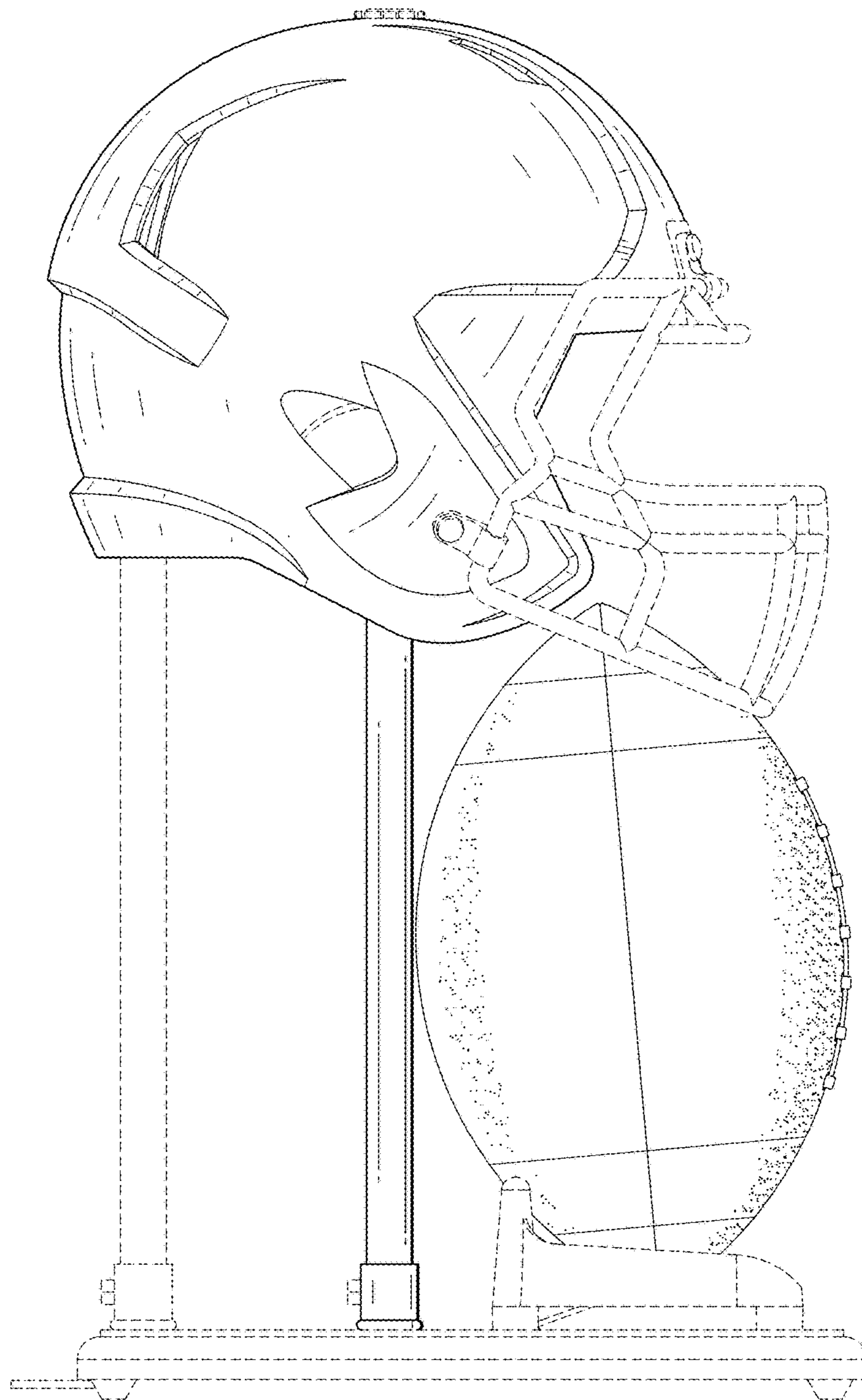


FIG. 5

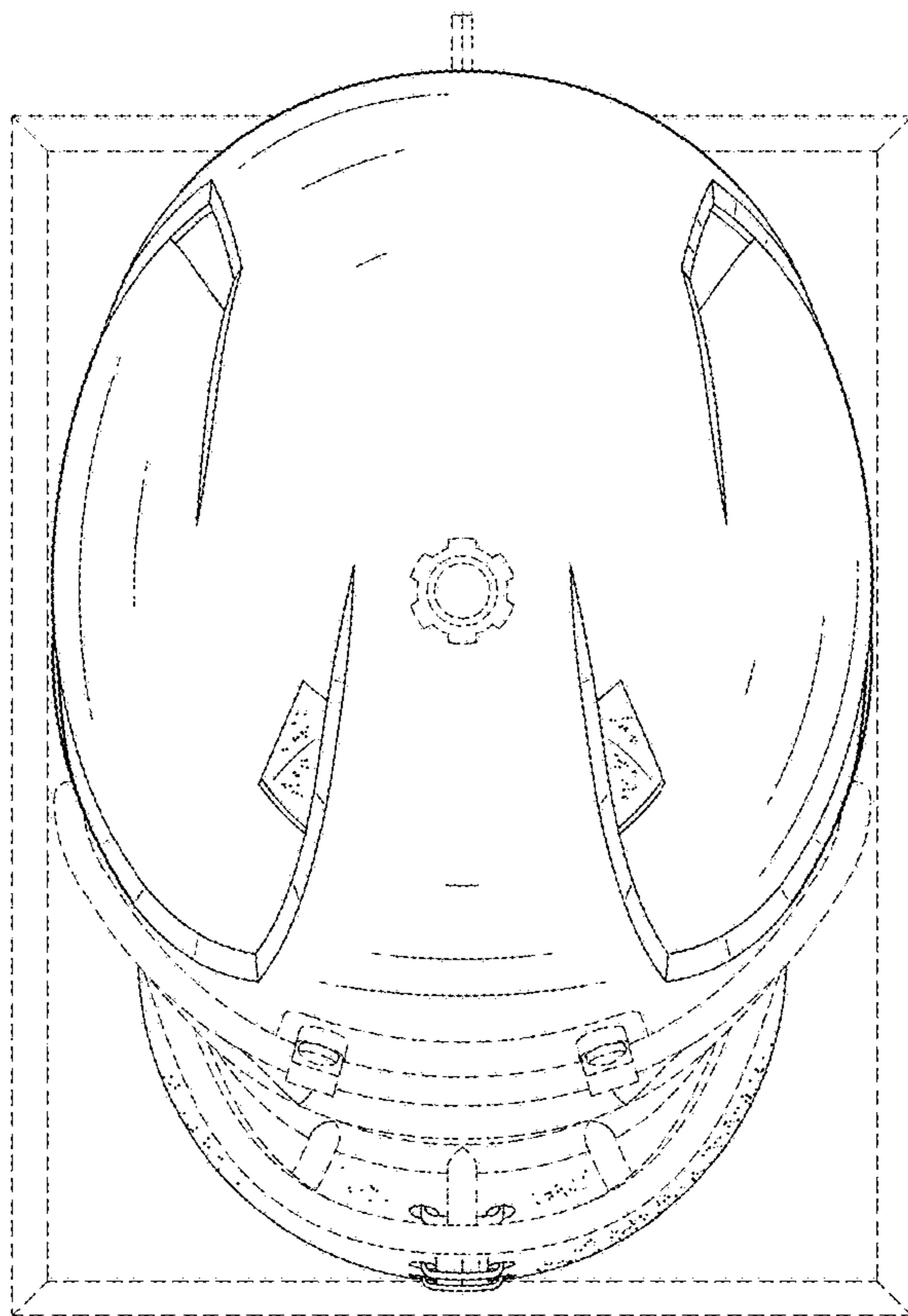


FIG. 6

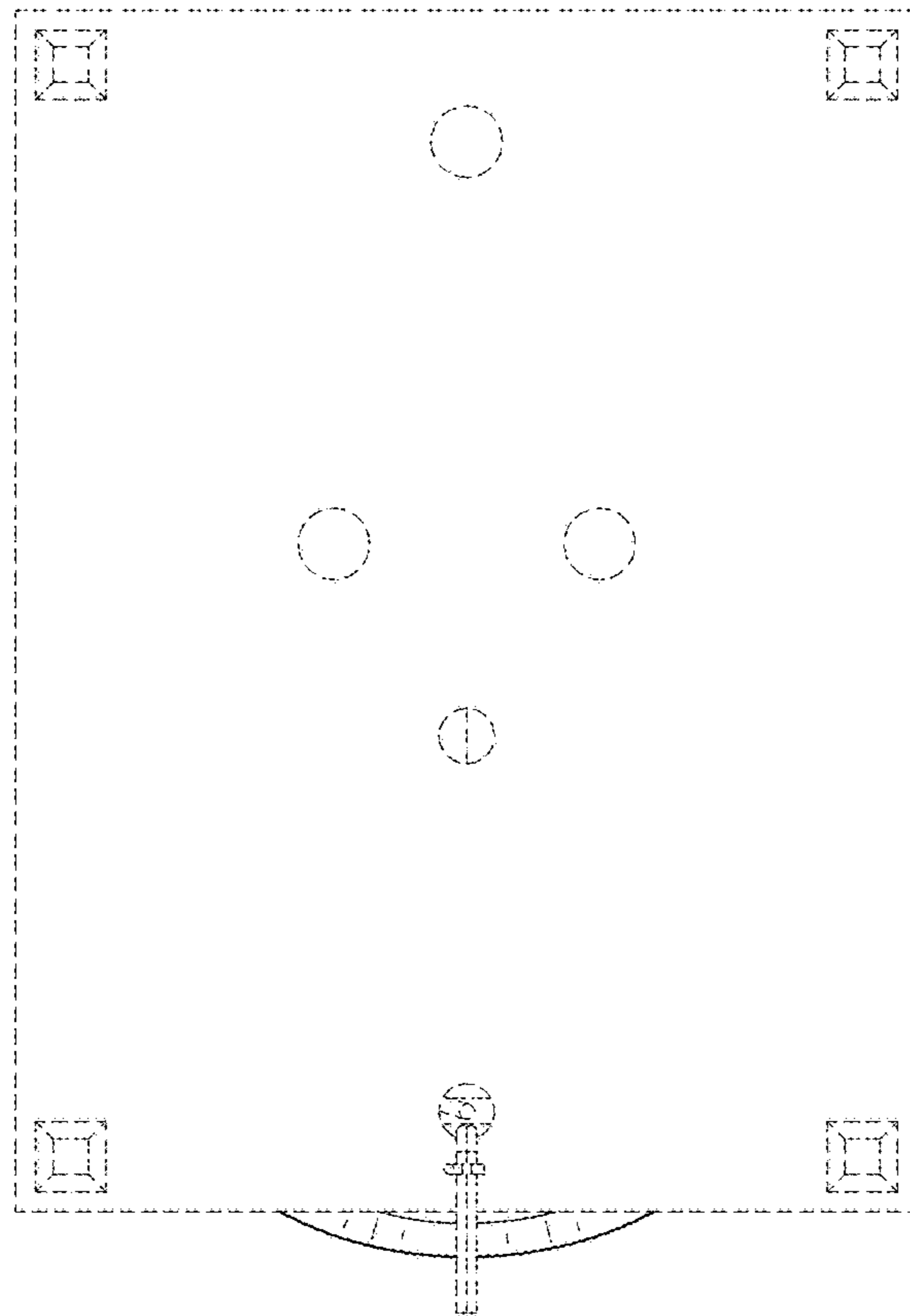


FIG. 7

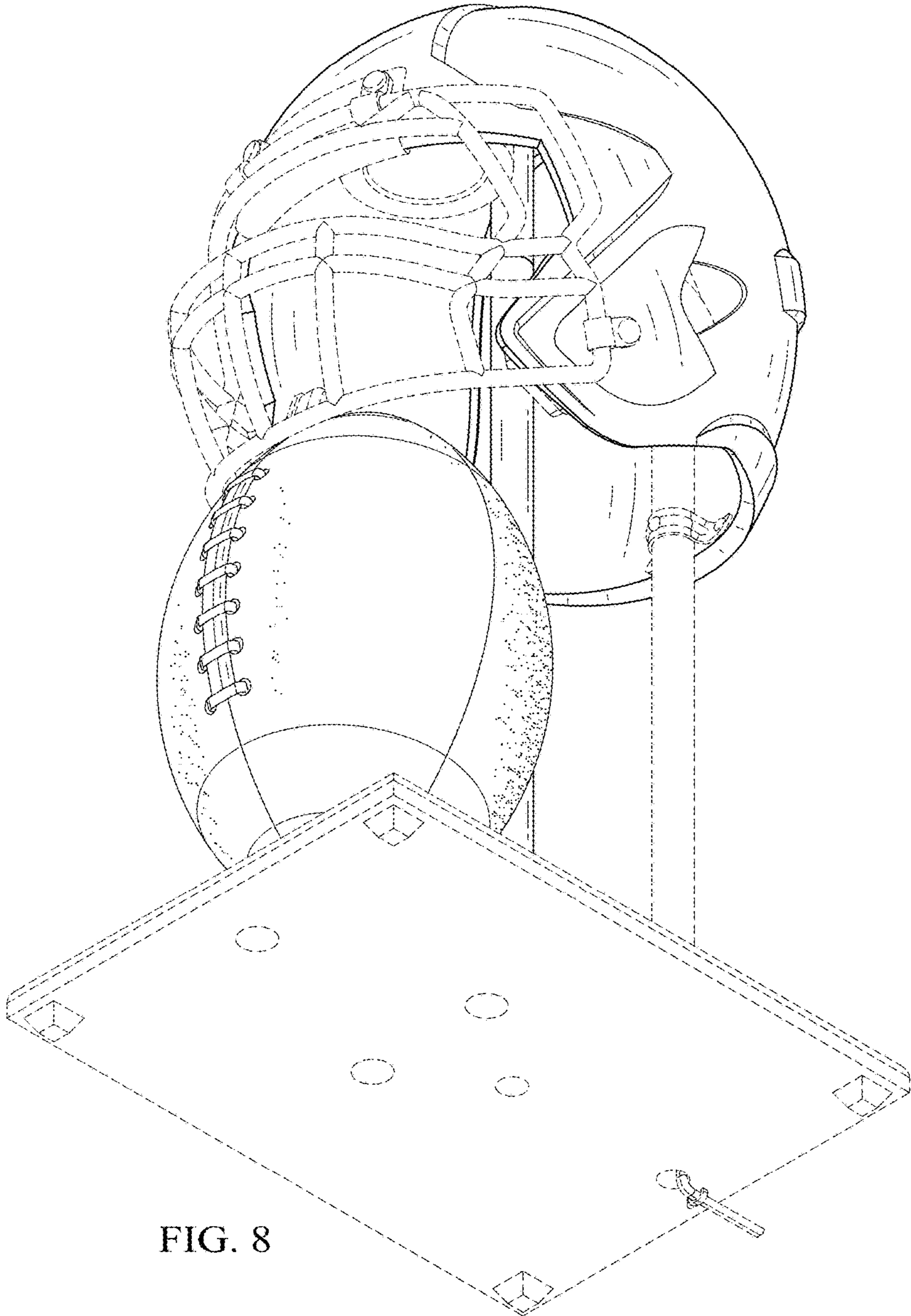


FIG. 8

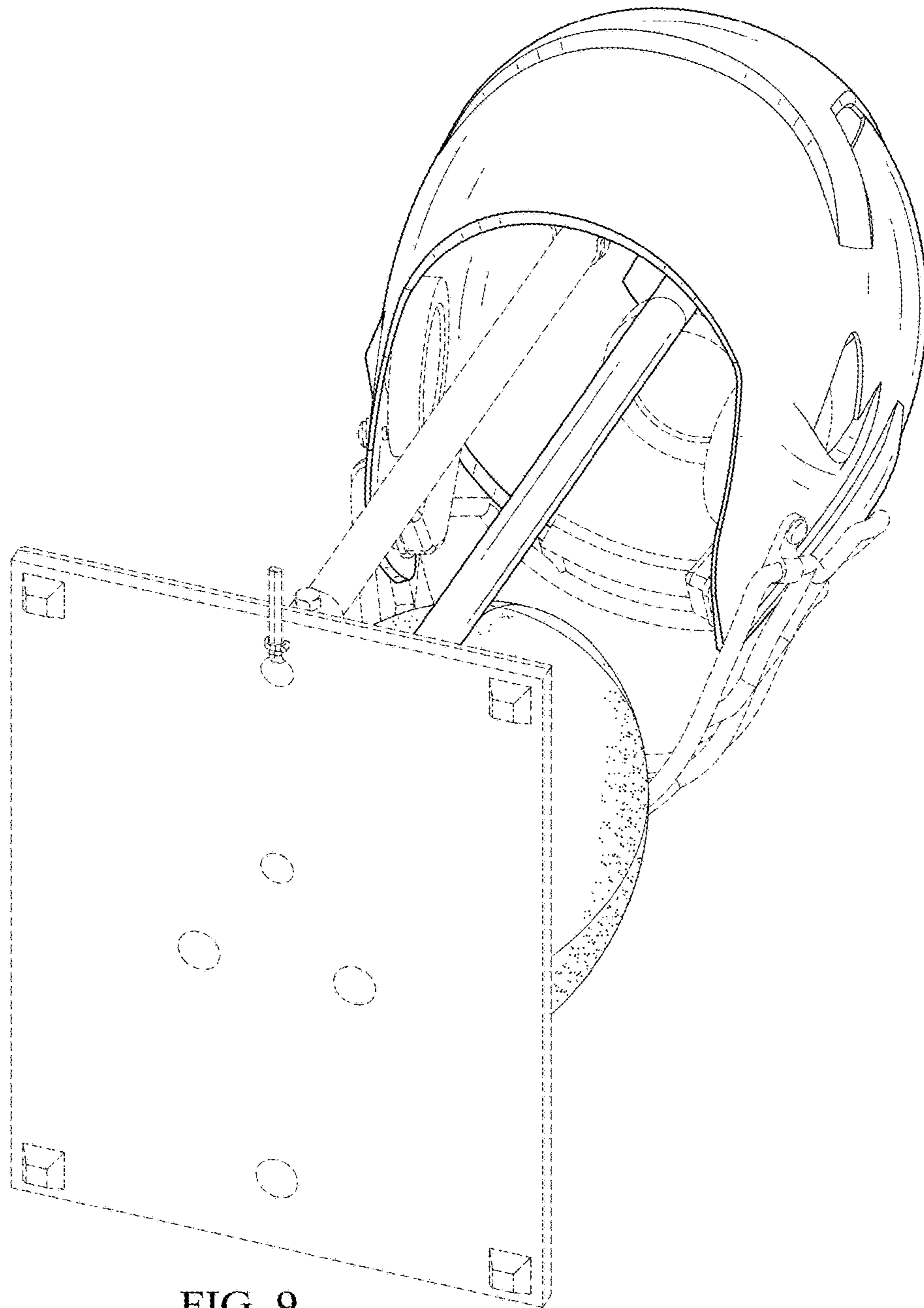


FIG. 9