



US00D861960S

(12) **United States Design Patent** (10) **Patent No.:** **US D861,960 S**  
**Ng et al.** (45) **Date of Patent:** **\*\* Oct. 1, 2019**

(54) **LAMP**  
(71) Applicant: **Koncept Technologies, Inc.**, Monrovia, CA (US)  
(72) Inventors: **Kenneth Ng**, Monrovia, CA (US); **Edmund Ng**, Monrovia, CA (US)  
(73) Assignee: **KONCEPT TECHNOLOGIES, INC.**, Monrovia, CA (US)  
(\*\*) Term: **15 Years**  
(21) Appl. No.: **29/648,207**  
(22) Filed: **May 18, 2018**  
(51) **LOC (12) Cl.** ..... **26-03**  
(52) **U.S. Cl.**  
USPC ..... **D26/90**; D26/76  
(58) **Field of Classification Search**  
USPC .... D26/72, 81, 84, 85, 88, 90, 91, 118, 131, D26/135, 76  
CPC .... F21S 8/04; F21S 8/043; F21S 8/046; F21S 8/06; F21S 8/061; F21S 8/063; F21S 8/065; F21S 13/04; F21V 1/12; F21V 3/023  
See application file for complete search history.

D791,383 S \* 7/2017 Yu ..... D26/76  
D800,942 S \* 10/2017 Poyrah ..... D26/72  
D820,500 S \* 6/2018 Li ..... D26/85

**OTHER PUBLICATIONS**

Quoizel PCCU148BRA Cutlas Modern LED Island Chandelier. Available at amazon.com as early as Jan. 8, 2019. (Year: 2019).\*  
Island Lighting with Bronze Tones in Finished Aluminum. Part No. RL-147756. Available at amazon.com as early as Jan. 24, 2018. (Year: 2018).\*  
Modern LED Ceiling Kitchen Island Light Strip. ASIN B07M7V6KV4. Available at amazon.com as early as Jan. 10, 2019. (Year: 2019).\*  
Quoizel PCSV142BRA Silver Edge Modern Linear Island Chandelier. Available at amazon.com as early as Dec. 20, 2017. (Year: 2017).\*

\* cited by examiner

*Primary Examiner* — Clare E Heflin  
(74) *Attorney, Agent, or Firm* — Steins & Associates, P.C.

(57) **CLAIM**

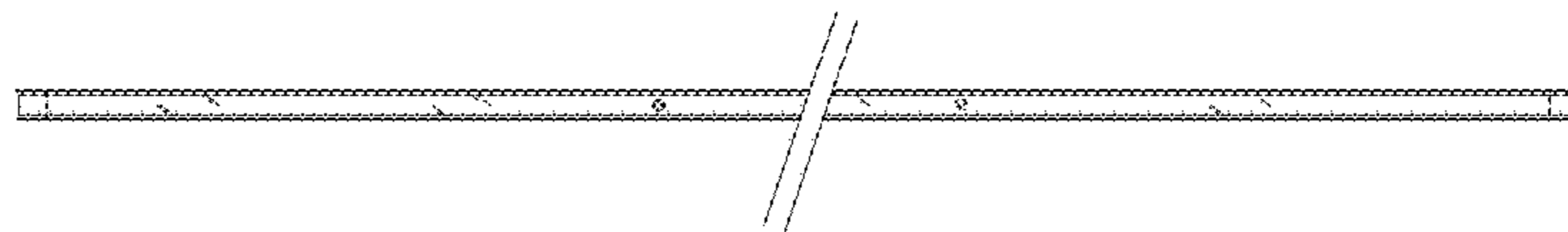
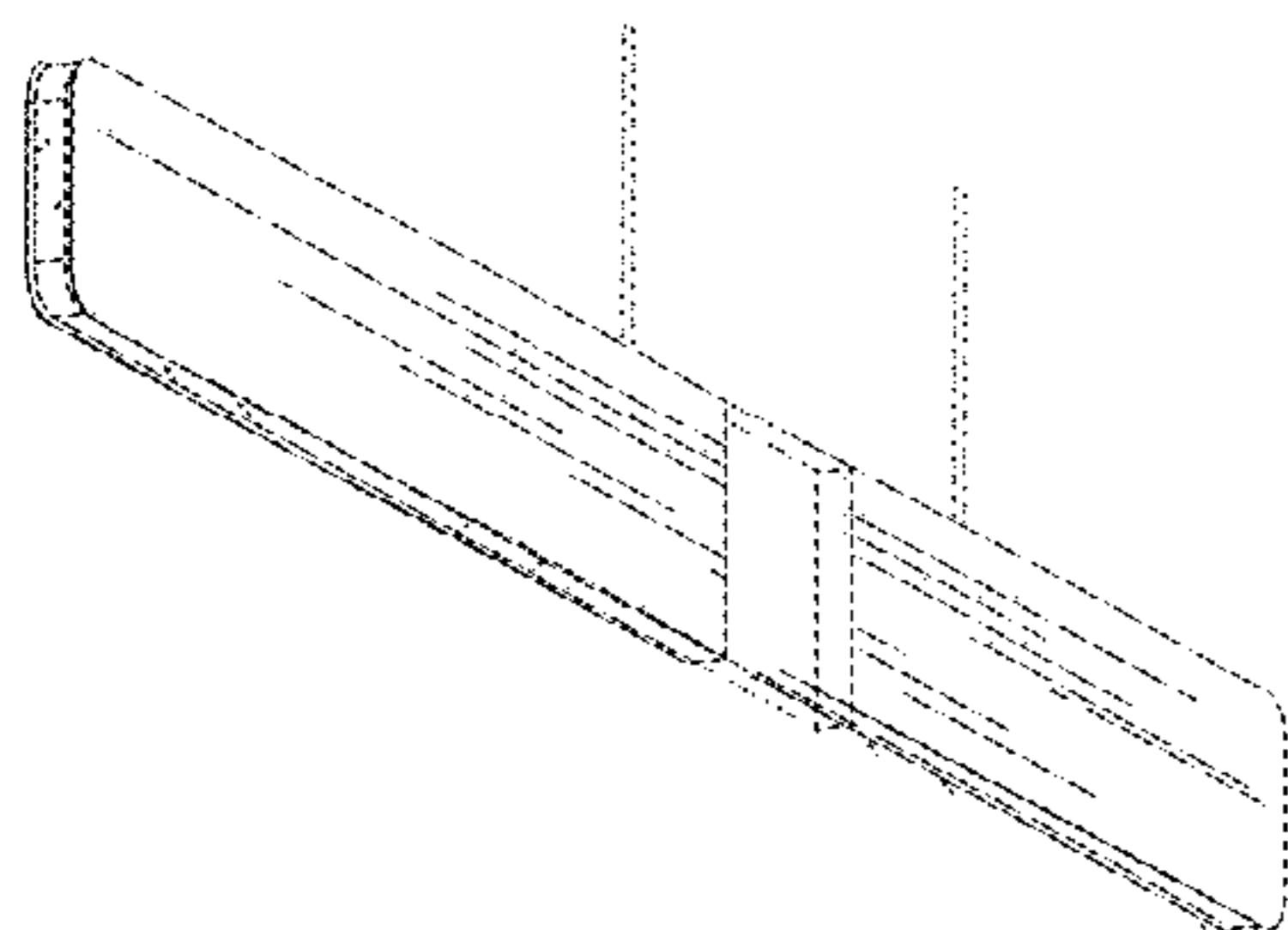
What is claimed is the ornamental design for a lamp, as shown and described.

**DESCRIPTION**

FIG. 1 is a bottom perspective view of the lamp;  
FIG. 2 is a front view thereof;  
FIG. 3 is a rear view thereof;  
FIG. 4 is a right side view thereof;  
FIG. 5 is a left side view thereof;  
FIG. 6 is a top view thereof; and,  
FIG. 7 is a bottom view thereof.  
The portions of the lamp shown in broken lines form no part of the claimed design. The lamp is shown with a symbolic break in its length. The appearance of any portion of the article between the break lines forms no part of the claimed design.

**1 Claim, 7 Drawing Sheets**

(56) **References Cited**  
U.S. PATENT DOCUMENTS  
D121,590 S \* 7/1940 Heath ..... 362/223  
D185,410 S \* 6/1959 Bodian et al. .... D26/76  
D626,277 S \* 10/2010 Sabernig ..... D26/88  
D626,278 S \* 10/2010 Sabernig ..... D26/88  
D632,004 S \* 2/2011 Waldmann ..... D26/76  
D650,509 S \* 12/2011 Wegger ..... D26/90  
D664,282 S \* 7/2012 Santoro ..... D26/76  
D669,209 S \* 10/2012 Choi ..... D26/90  
D716,489 S \* 10/2014 O'Leary ..... D26/90  
D727,554 S \* 4/2015 Clark ..... D26/90



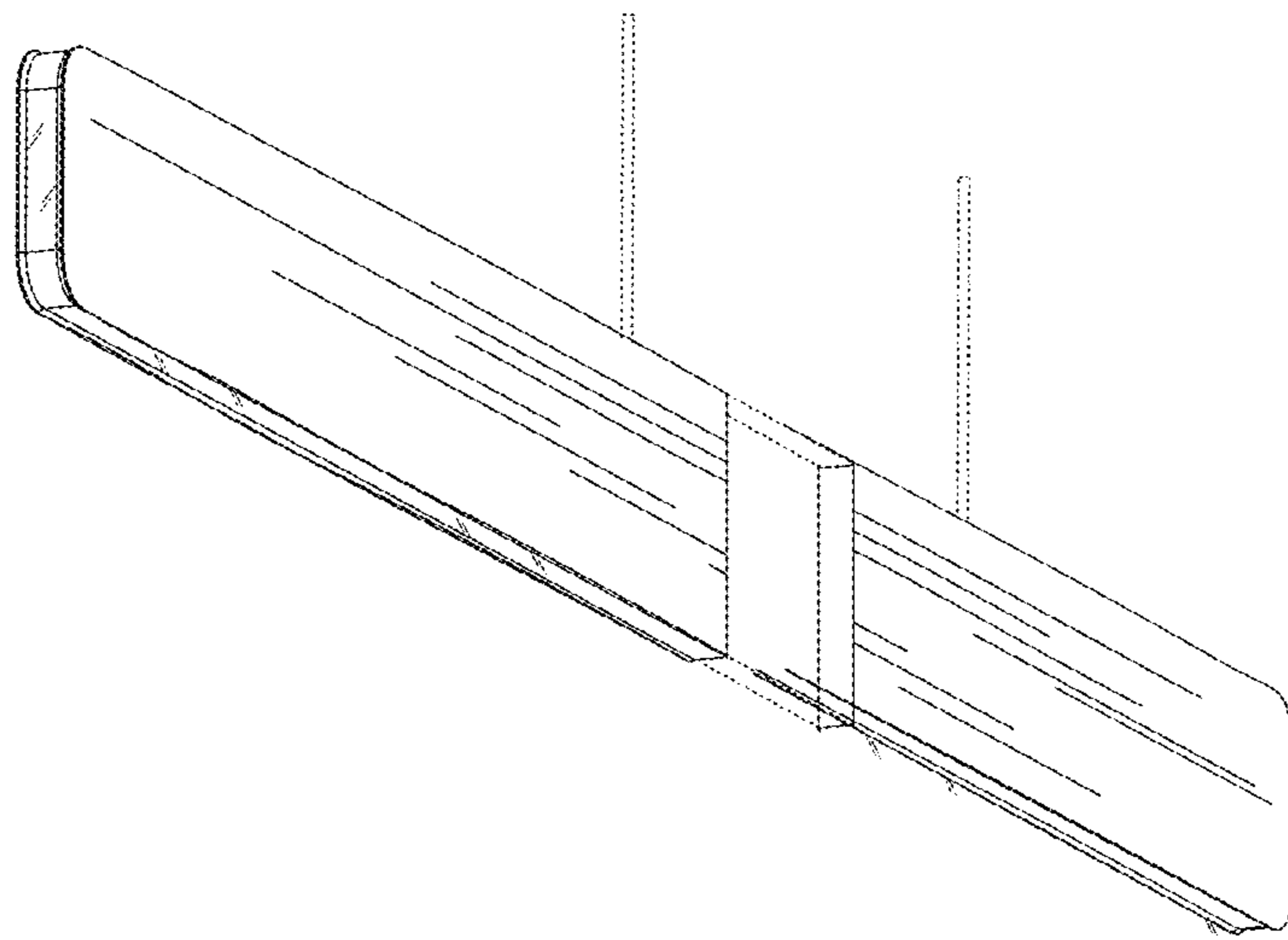


FIG. 1

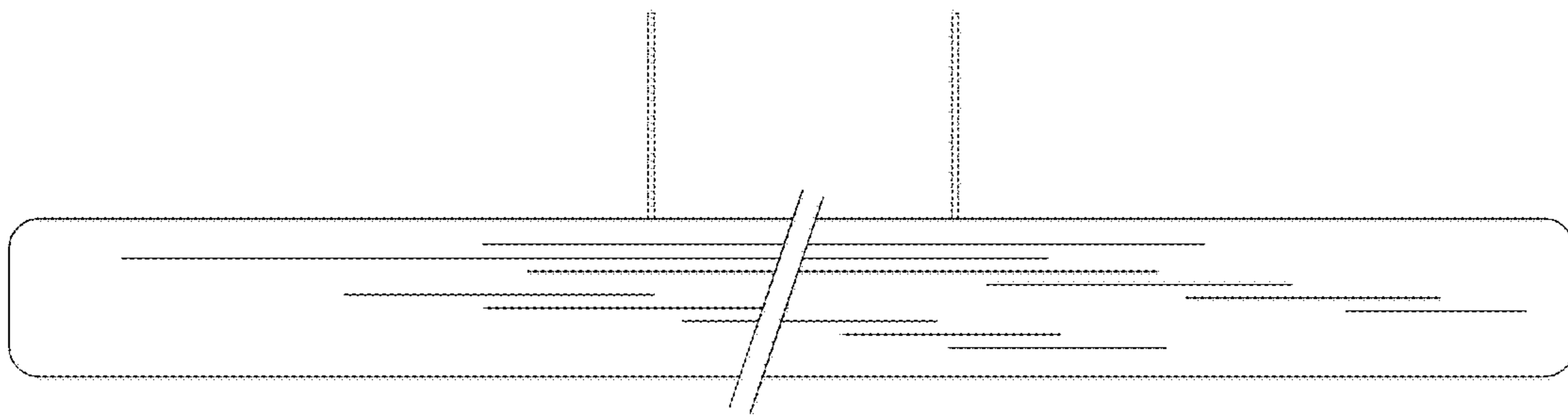


FIG. 2

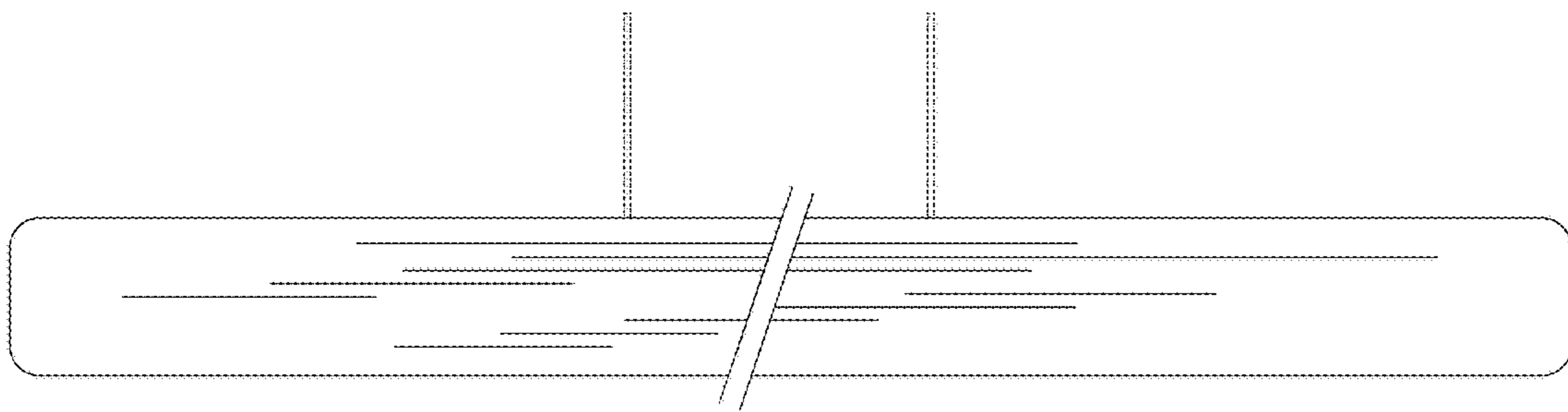


FIG. 3

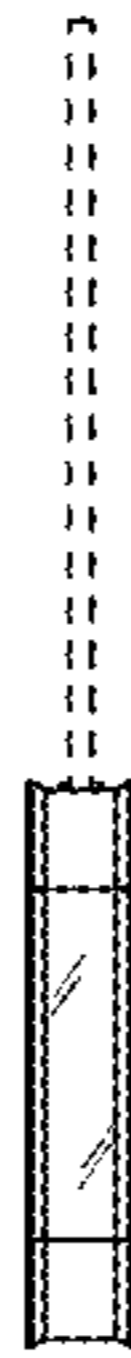


FIG. 4

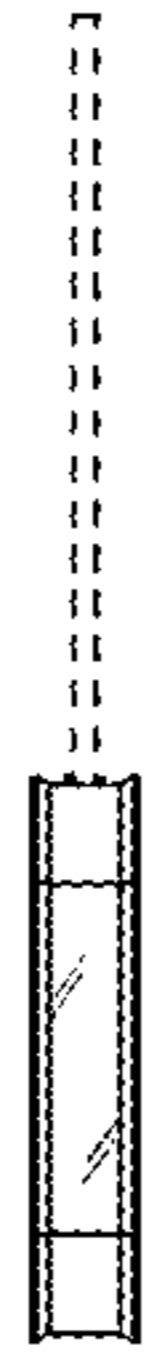


FIG. 5

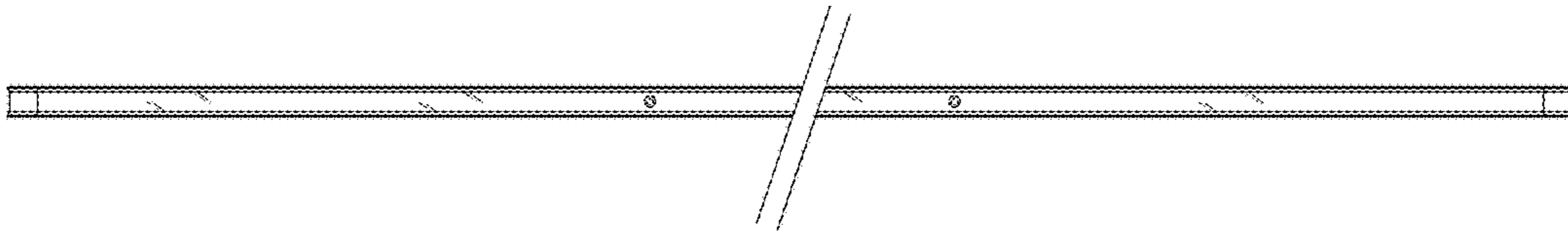


FIG. 6

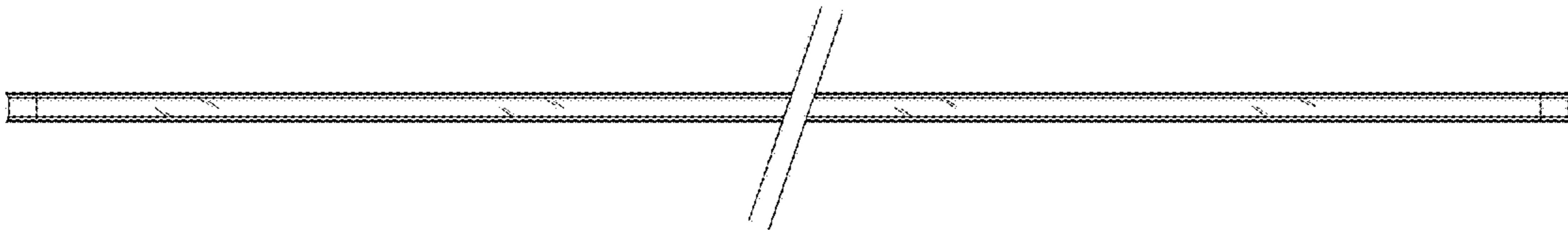


FIG. 7