



US00D861959S

(12) **United States Design Patent**  
**Guo**

(10) **Patent No.:** **US D861,959 S**

(45) **Date of Patent:** **\*\* Oct. 1, 2019**

(54) **CEILING LIGHT**

(71) Applicant: **Liping Guo**, Guangdong (CN)

(72) Inventor: **Liping Guo**, Guangdong (CN)

(73) Assignee: **Shenzhen Ouyixin Technology Co., Ltd**, Shenzhen, Guangdong (CN)

(\*\*) Term: **15 Years**

(21) Appl. No.: **29/656,956**

(22) Filed: **Jul. 18, 2018**

(51) **LOC (12) Cl.** ..... **26-03**

(52) **U.S. Cl.**  
USPC ..... **D26/89**

(58) **Field of Classification Search**  
USPC ..... D26/72, 80, 83, 85, 86, 87, 88, 89  
CPC ..... F21S 8/03; F21S 8/04; F21S 8/043; F21S 8/046; F21S 8/06; F21S 8/061; F21S 8/063; F21V 21/02; F21V 21/03  
See application file for complete search history.

(56) **References Cited**

**U.S. PATENT DOCUMENTS**

D190,387 S \* 5/1961 Wince ..... D26/89  
6,312,146 B1 \* 11/2001 Tognacci ..... F21V 17/164  
248/324

D629,146 S \* 12/2010 van den Akker ..... D26/89  
D718,484 S \* 11/2014 Eberle ..... D26/89  
D748,316 S \* 1/2016 Sakurai ..... D26/89  
D748,842 S \* 2/2016 Sakurai ..... D26/89  
D769,509 S \* 10/2016 Chen ..... D26/89  
D770,077 S \* 10/2016 Lai ..... D26/89  
D779,105 S \* 2/2017 Krueckeberg ..... D26/89  
D784,593 S \* 4/2017 Ambrozus ..... D26/74  
D834,235 S \* 11/2018 Gambrel ..... D26/89  
D841,869 S \* 2/2019 Mou ..... D26/89  
2019/0104592 A1 \* 4/2019 Fukushima ..... F21S 8/024

\* cited by examiner

*Primary Examiner* — Clare E Hefflin

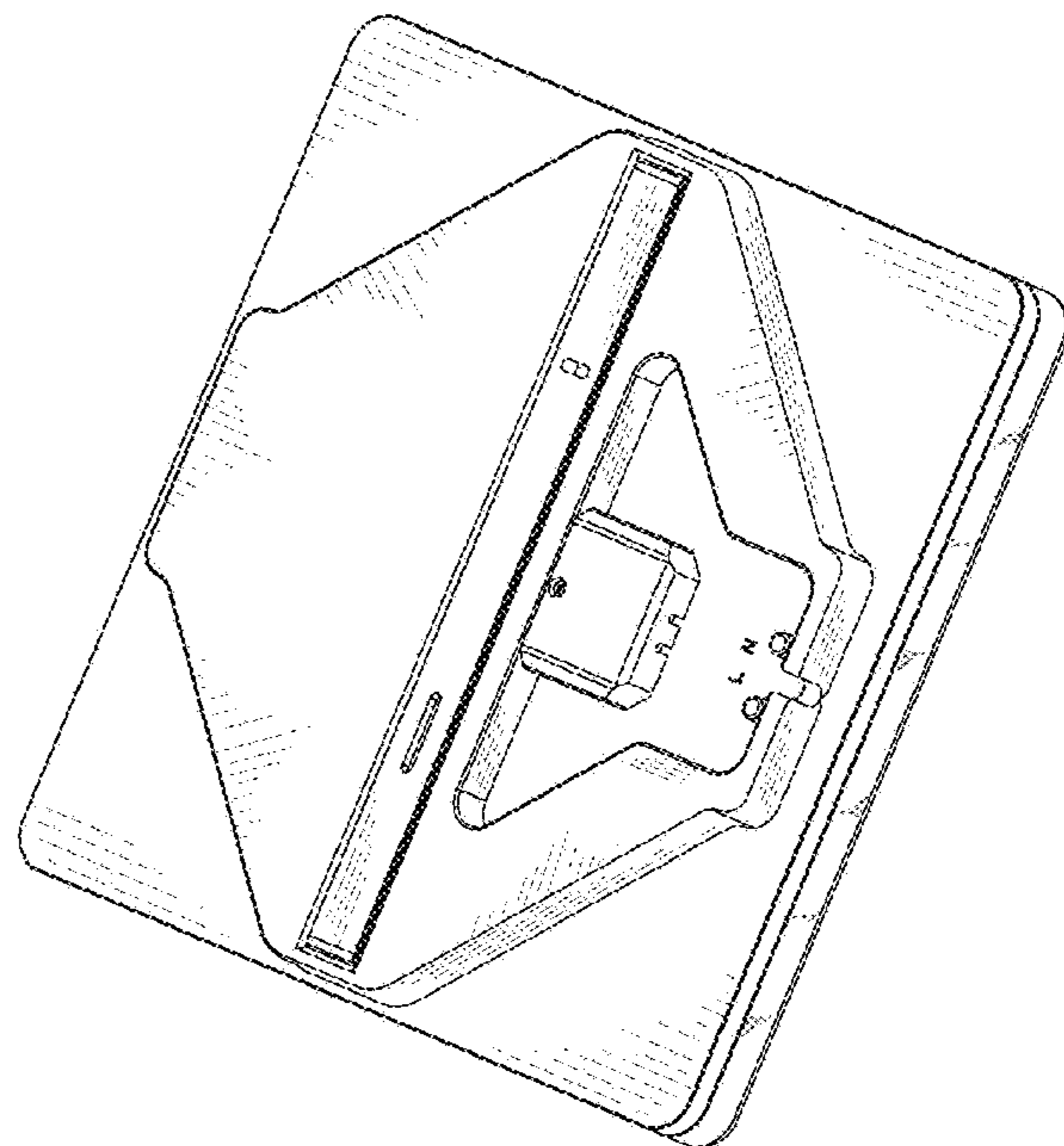
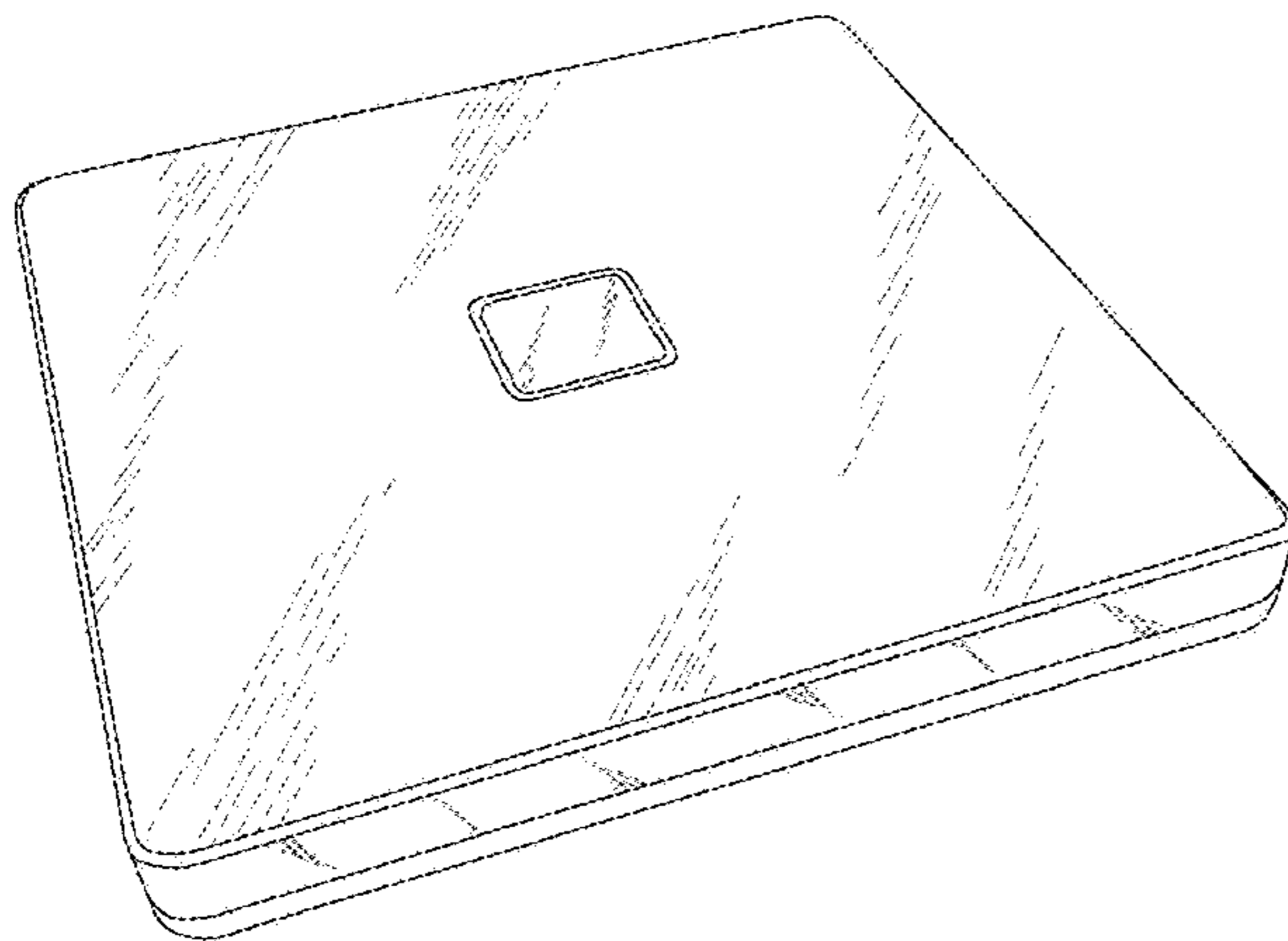
(57) **CLAIM**

The ornamental design for a ceiling light, as shown and described.

**DESCRIPTION**

FIG. 1 is a front perspective view of a ceiling light showing my new design;  
FIG. 2 is a rear perspective view thereof;  
FIG. 3 is a front elevational view thereof;  
FIG. 4 is a rear elevational view thereof;  
FIG. 5 is a left side elevational view thereof;  
FIG. 6 is a right side elevational view thereof;  
FIG. 7 is a top plan view thereof; and,  
FIG. 8 is a bottom plan view thereof.

**1 Claim, 8 Drawing Sheets**



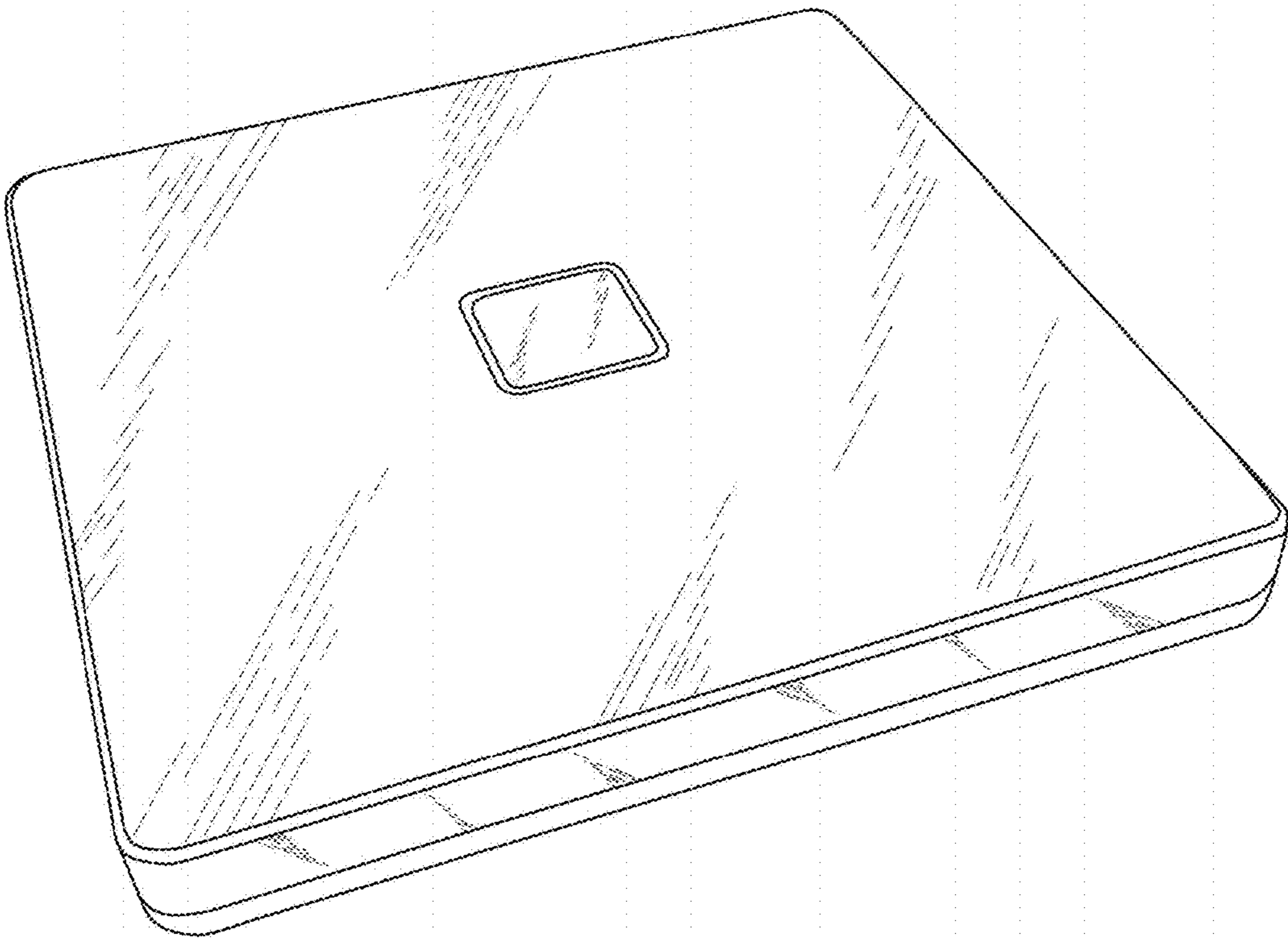


FIG.1

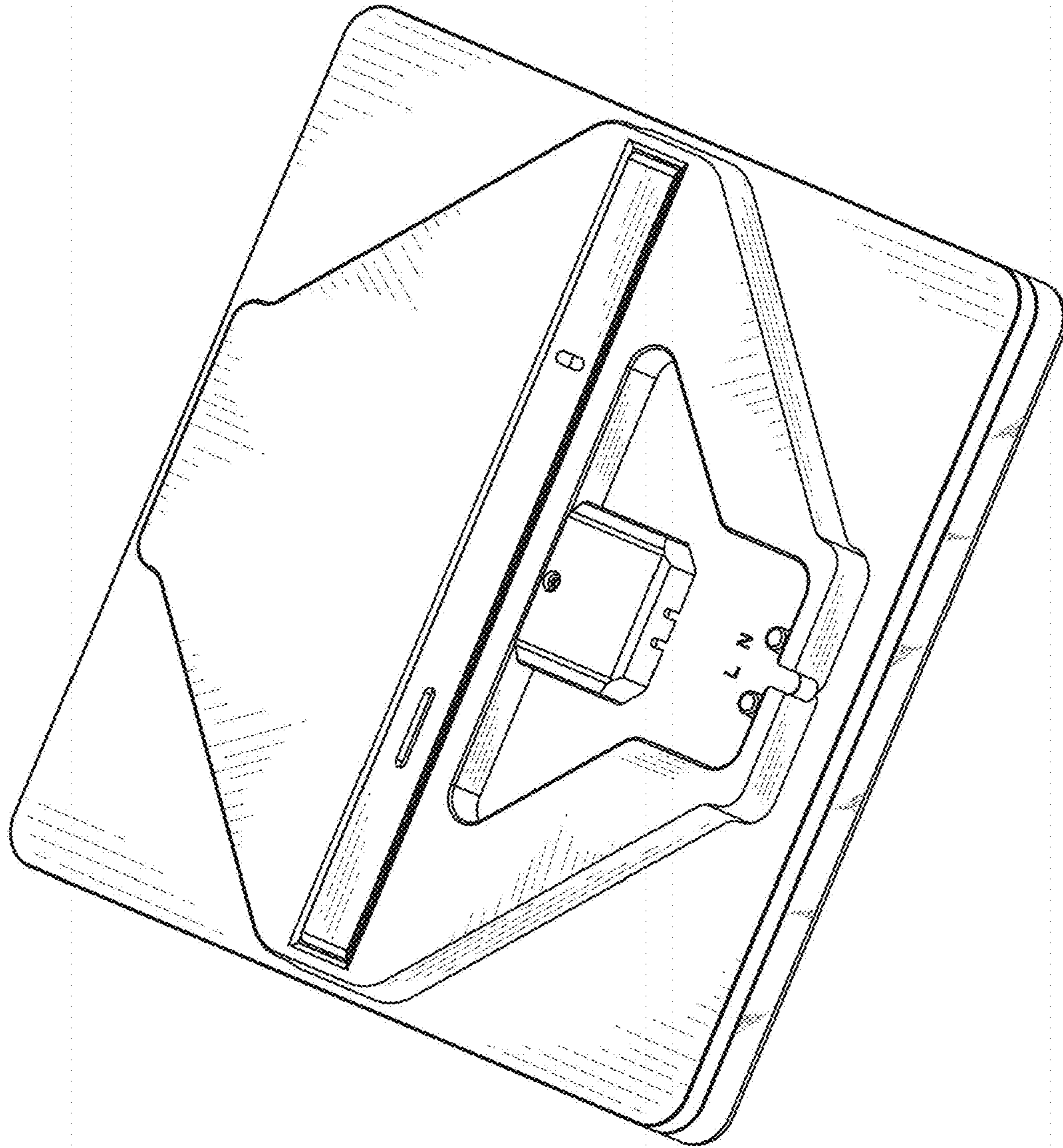


FIG.2

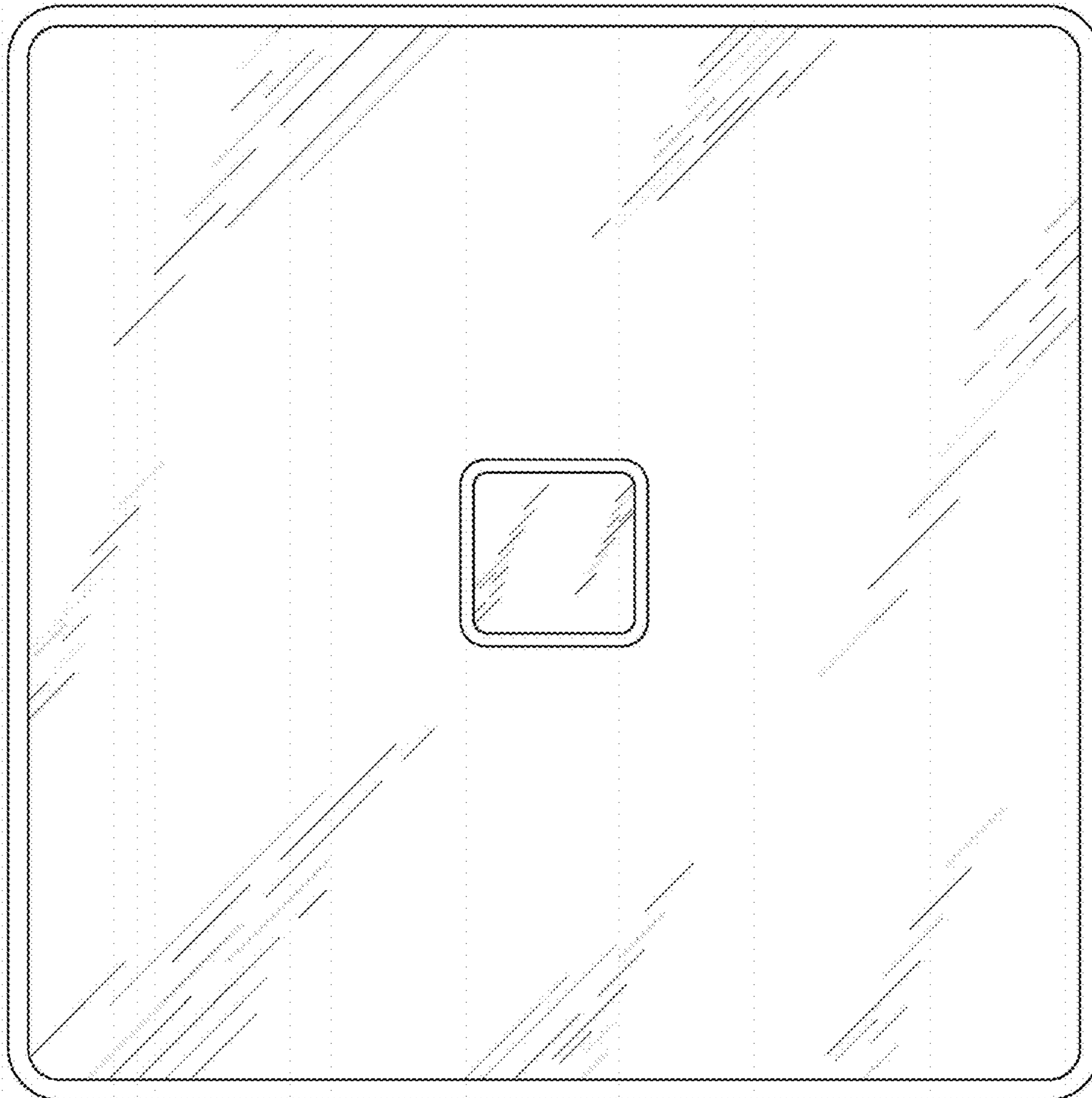


FIG.3

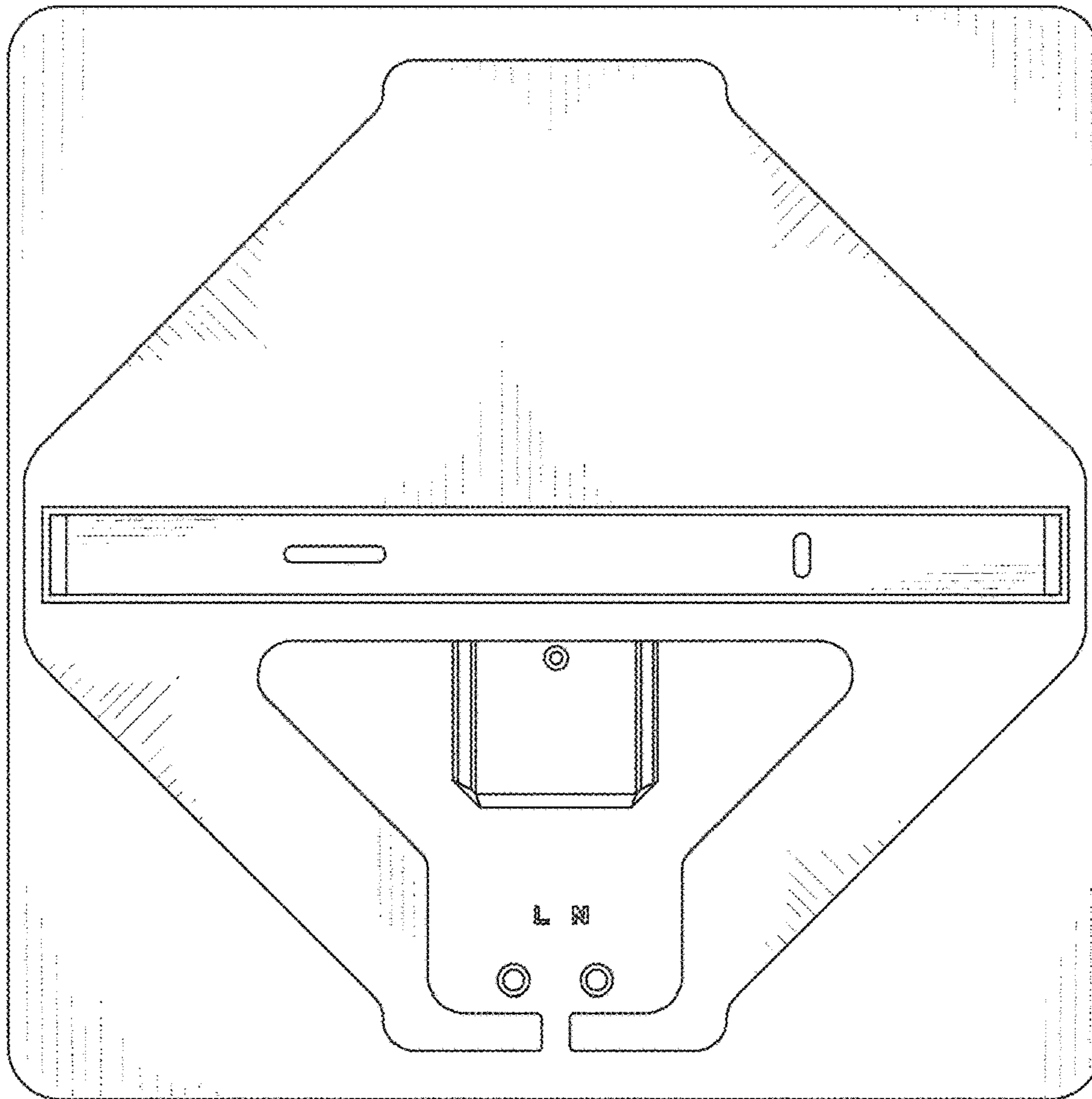


FIG.4

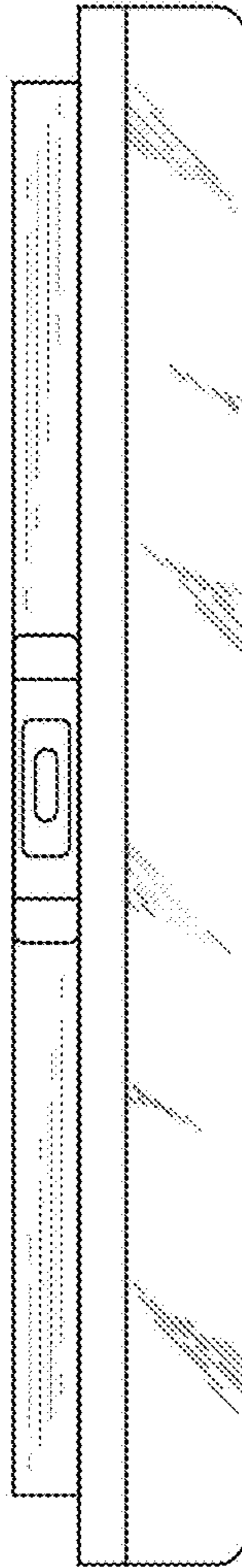


FIG.5

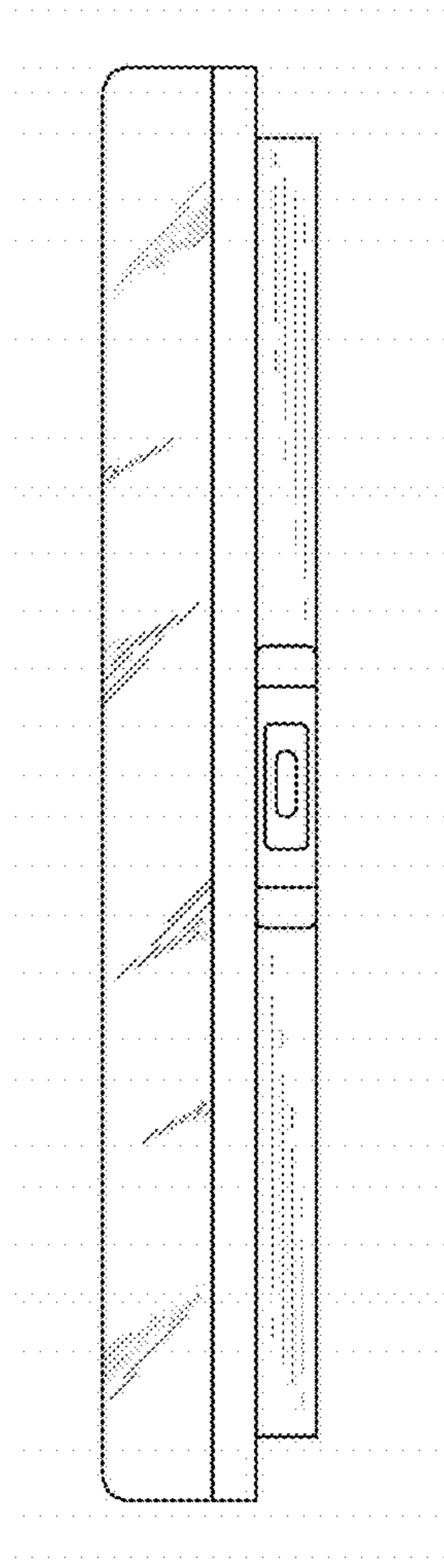


FIG.6

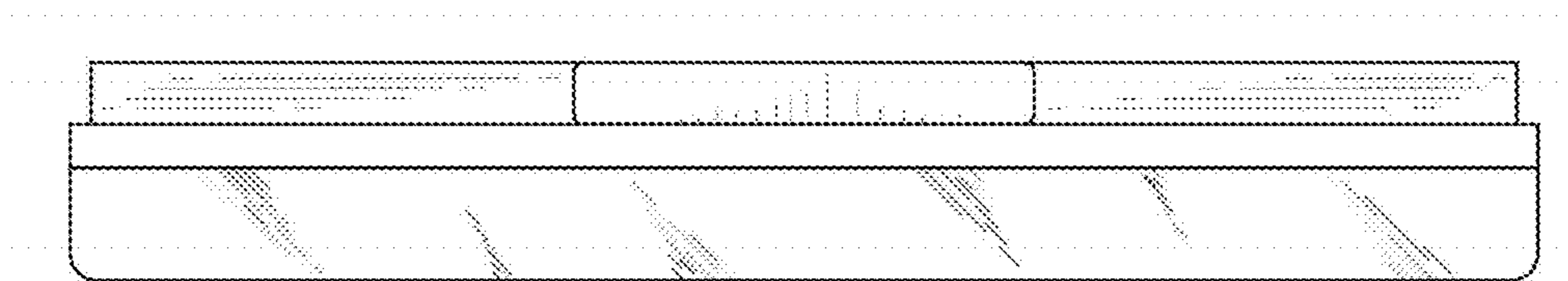


FIG.7



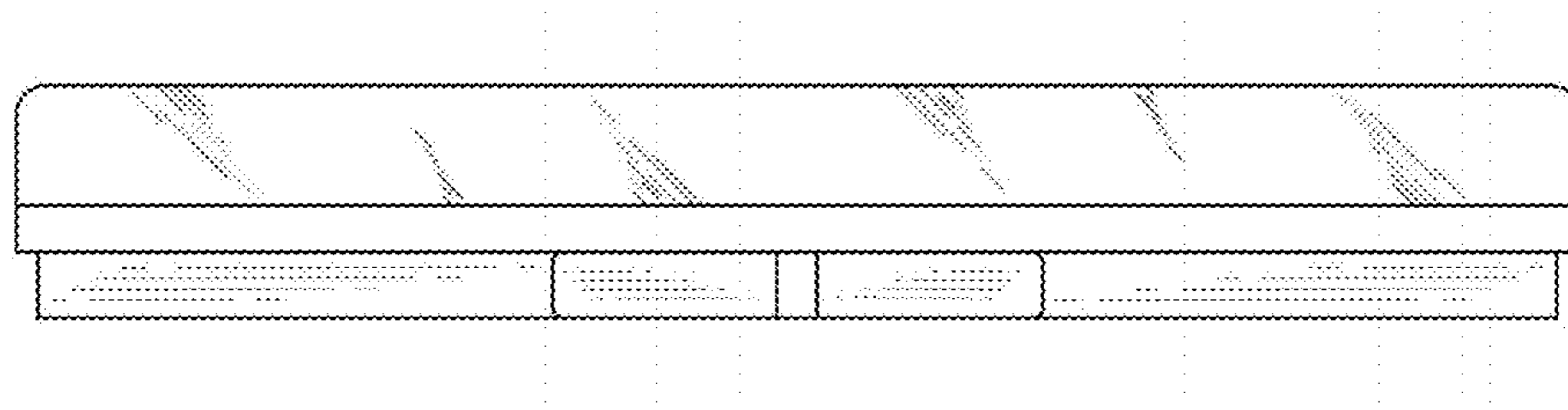


FIG. 8